



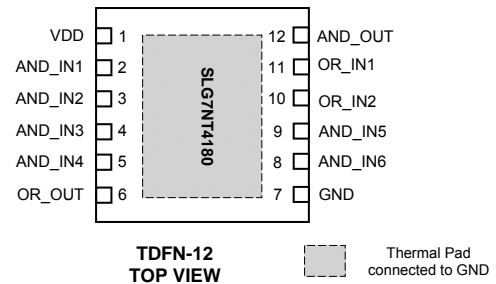
General Description

Silego GreenPAK 2 SLG7NT4180 is a low power and small form device. The SoC is housed in a 2.5mm x 2.5mm TDFN package which is optimal for using with small devices.

Features

- Low Power Consumption
- 3.3V Supply Voltage
- RoHS Compliant / Halogen-Free
- Pb-Free TDFN-12 Package

Pin Configuration

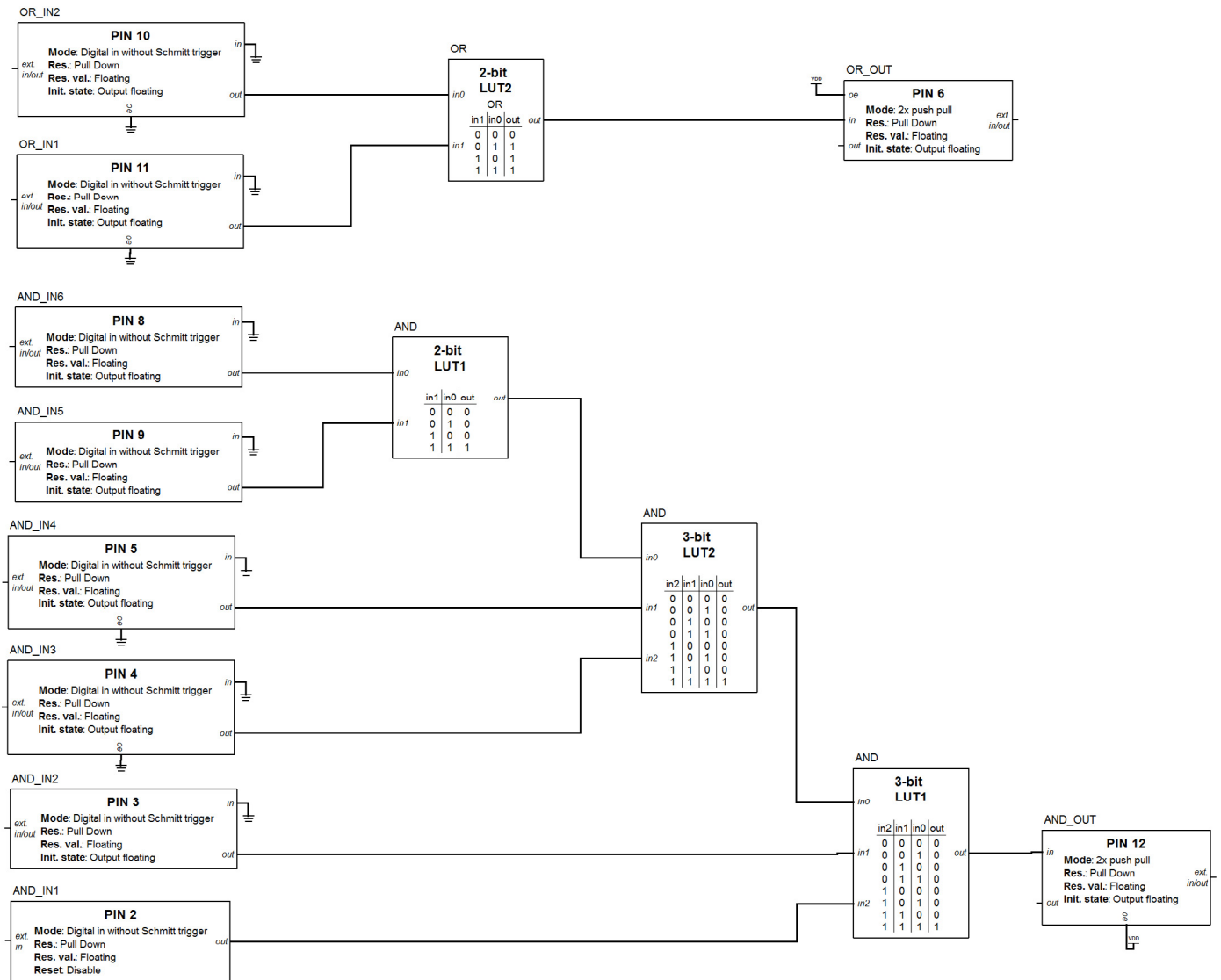


Output Summary

- 2 Outputs - Push Pull



Block Diagram





Pin Configuration

| Pin # | Pin Name | Type | Pin Description |
|--------------------|--------------------|--------|-----------------|
| 1 | VDD | PWR | Supply Voltage |
| 2 | AND_IN1 | Input | Digital Input |
| 3 | AND_IN2 | Input | Digital Input |
| 4 | AND_IN3 | Input | Digital Input |
| 5 | AND_IN4 | Input | Digital Input |
| 6 | OR_OUT | Output | Push Pull |
| 7 | GND | GND | Ground |
| 8 | AND_IN6 | Input | Digital Input |
| 9 | AND_IN5 | Input | Digital Input |
| 10 | OR_IN0 | Input | Digital Input |
| 11 | OR_IN1 | Input | Digital Input |
| 12 | AND_OUT | Output | Push Pull |
| Exposed Bottom Pad | Exposed Bottom Pad | GND | Ground |

Ordering Information

| Part Number | Package Type |
|---------------|--|
| SLG7NT4180V | V = TDFN-12 |
| SLG7NT4180VTR | VTR = TDFN-12 - Tape and Reel (3k units) |



Absolute Maximum Conditions

| Parameter | Min. | Max. | Unit |
|---------------------------|------|------|------|
| V _{HIGH} to GND | -0.3 | 7 | V |
| Voltage at input pins | -0.3 | 7 | V |
| Current at input pin | -1.0 | 1.0 | mA |
| Storage temperature range | -65 | 150 | °C |
| Junction temperature | -- | 150 | °C |

Electrical Characteristics

(@ 25°C, unless otherwise stated)

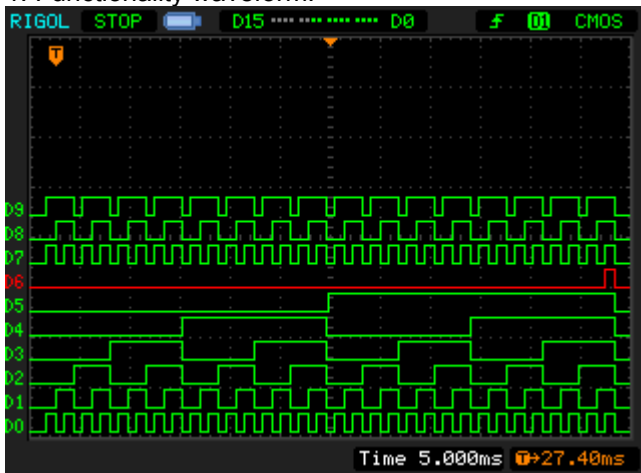
| Symbol | Parameter | Condition/Note | Min. | Typ. | Max. | Unit |
|-----------------|--|---|------|------|------|------|
| V _{DD} | Supply Voltage | | 3.0 | 3.3 | 3.6 | V |
| I _Q | Quiescent Current | Static inputs and outputs | -- | 1 | -- | μA |
| T _A | Operating Temperature | | -40 | 25 | 85 | °C |
| I _L | Input Leakage Current | Leakage Current Inputs or outputs in High impedance state | -100 | -- | 100 | nA |
| V _{IH} | HIGH-Level Input Voltage | Logic Input | 1.8 | -- | -- | V |
| V _{IL} | LOW-Level Input Voltage | Logic Input | -- | -- | 1.10 | V |
| V _{OH} | HIGH-Level Output Voltage | Push-Pull, I _{OH} = 3mA | 2.6 | -- | -- | |
| V _{OL} | LOW-Level Output Voltage | Push-Pull, I _{OL} = 3mA | -- | -- | 0.32 | V |
| V _O | Maximal Voltage Applied to any PIN in High-Impedance State | | -- | -- | VDD | V |
| I _{OL} | LOW-Level Output Current | Push-Pull, V _{OL} = 0.4V, 1X Drive | 3.6 | -- | -- | mA |
| T _{SU} | Start up Time | After VDD reaches 1.6V level | -- | 7 | -- | ms |



SLG7NT4180 Functionality Waveform

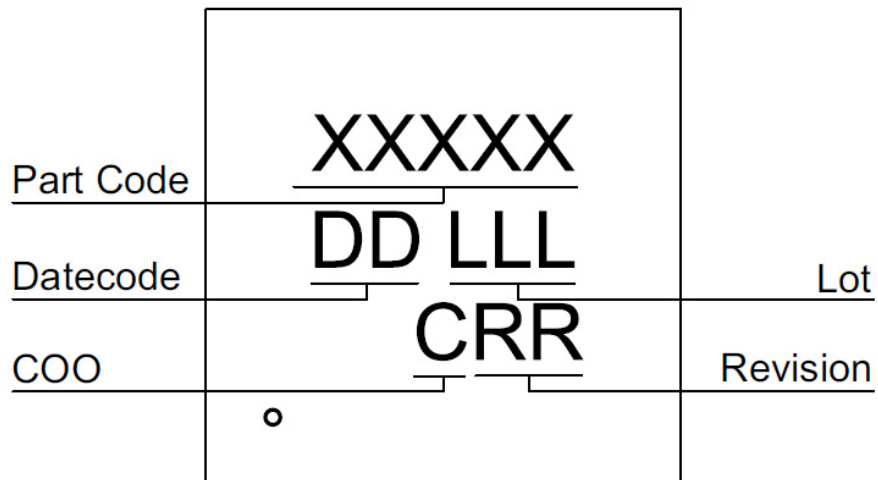
- D0 – PIN2 (AND_IN1)
- D1 – PIN3 (AND_IN2)
- D2 – PIN4 (AND_IN3)
- D3 – PIN5 (AND_IN4)
- D4 – PIN9 (AND_IN5)
- D5 – PIN8 (AND_IN6)
- D6 – PIN12 (AND_OUT)
- D7 – PIN10 (OR_IN2)
- D8 – PIN11 (OR_IN1)
- D9 – PIN6 (OR_OUT)

1. Functionality waveform.





Package Top Marking



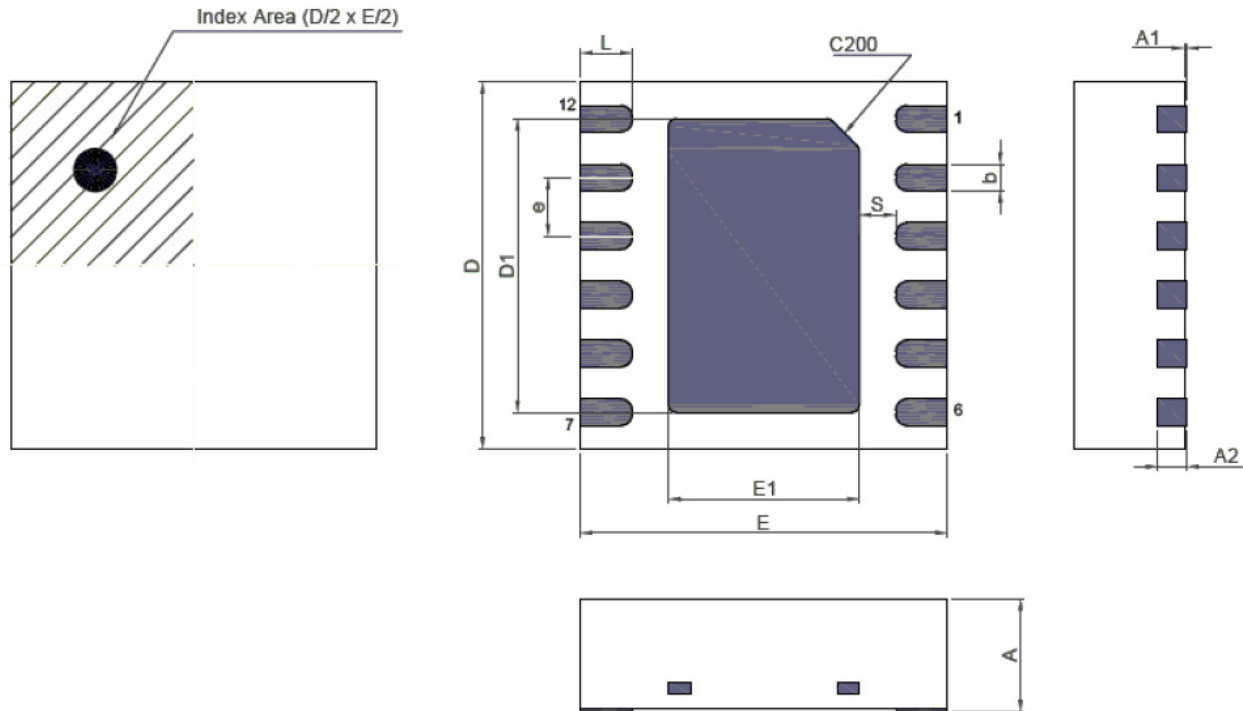
- XXXXXX – Part ID Field: identifies the specific device configuration
- DD – Date Code Field: Coded date of manufacture
- LLL – Lot Code: Designates Lot #
- C – COO: Specifies Country of Origin
- RR – Revision Code: Device Revision

| Datasheet Revision | Programming Code Number | Part Code | Revision | Date |
|--------------------|-------------------------|-----------|----------|------------|
| 1.0 | 02 | 4180V | AA | 06/05/2013 |



Package Drawing and Dimensions

12 Lead TDFN Package JEDEC MO-252, Variation 2525E



Unit: mm

| Symbol | Min | Nom. | Max | Symbol | Min | Nom. | Max |
|--------|-------|------|-------|--------|----------|------|------|
| A | 0.70 | 0.75 | 0.80 | D1 | 1.95 | 2.00 | 2.05 |
| A1 | 0.005 | - | 0.060 | E1 | 1.25 | 1.30 | 1.35 |
| A2 | 0.15 | 0.20 | 0.25 | e | 0.40 BSC | | |
| b | 0.13 | 0.18 | 0.23 | L | 0.30 | 0.35 | 0.40 |
| D | 2.45 | 2.50 | 2.55 | S | 0.18 | - | - |
| E | 2.45 | 2.50 | 2.55 | | | | |



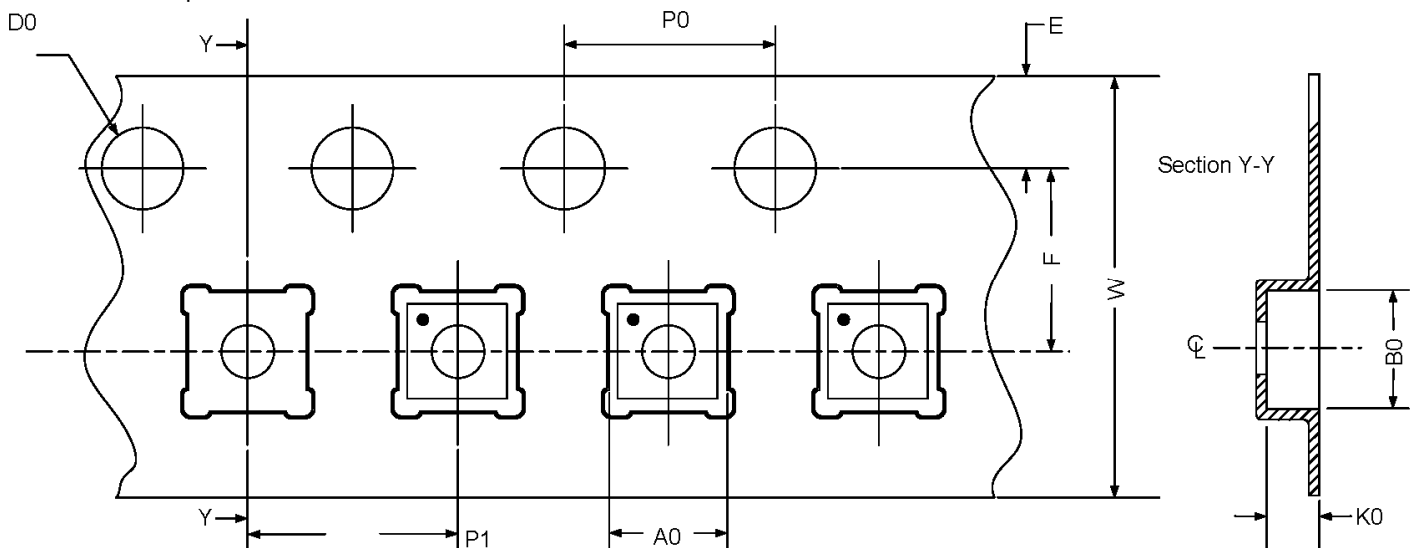
Tape and Reel Specification

| Package Type | # of Pins | Nominal Package Size (mm) | Max Units | | Reel & Hub Size (mm) | Trailer A | | Leader B | | Pocket (mm) | |
|-------------------------------------|-----------|---------------------------|-----------|---------|----------------------|-----------|-------------|----------|-------------|-------------|-------|
| | | | per reel | per box | | Pockets | Length (mm) | Pockets | Length (mm) | Width | Pitch |
| TDFN 12L 2.5x2.5mm 0.4P Green | 12 | 2.5x2.5x0.75 | 3000 | 3000 | 178/60 | 42 | 168 | 42 | 168 | 8 | 4 |

Carrier Tape Drawing and Dimensions

| Package Type | Pocket BTM Length (mm) | Pocket BTM Width (mm) | Pocket Depth (mm) | Index Hole Pitch (mm) | Pocket Pitch (mm) | Index Hole Diameter (mm) | Index Hole to Tape Edge (mm) | Index Hole to Pocket Center (mm) | Tape Width (mm) |
|-------------------------------------|------------------------|-----------------------|-------------------|-----------------------|-------------------|--------------------------|------------------------------|----------------------------------|-----------------|
| | A0 | B0 | K0 | P0 | P1 | D0 | E | F | W |
| TDFN 12L 2.5x2.5mm 0.4P Green | 2.75 | 2.75 | 1.05 | 4 | 4 | 1.55 | 1.75 | 3.5 | 8 |

Refer to EIA-481 Specifications



Recommended Reflow Soldering Profile

Please see IPC/JEDEC J-STD-020: latest revision for reflow profile based on package volume of 4.6875 mm³ (nominal). More information can be found at www.jedec.org.



Datasheet Revision History

| Date | Version | Change |
|------------|---------|-------------------------------|
| 04/15/2013 | 0.10 | New design |
| 04/16/2013 | 0.11 | OR Gate is added |
| 05/06/2013 | 0.12 | Updated Device Revision Table |
| 06/05/2013 | 1.0 | Production release |



Silego Website & Support

Silego Technology Website

Silego Technology provides online support via our website at <http://www.silego.com/>. This website is used as a means to make files and information easily available to customers.

For more information regarding Silego Green products, please visit:

<http://greenpak.silego.com/>
<http://greenpak2.silego.com/>
<http://greenfet.silego.com/>
<http://greenfet2.silego.com/>
<http://greenclock.silego.com/>

Products are also available for purchase directly from Silego at the Silego Online Store at <http://store.silego.com/>.

Silego Technical Support

Datasheets and errata, application notes and example designs, user guides, and hardware support documents and the latest software releases are available at the Silego website or can be requested directly at info@silego.com.

For specific GreenPAK design or applications questions and support please send email requests to GreenPAK@silego.com

Users of Silego products can receive assistance through several channels:

Contact Your Local Sales Representative

Customers can contact their local sales representative or field application engineer (FAE) for support. Local sales offices are also available to help customers. More information regarding your local representative is available at the Silego website or send a request to info@silego.com

Contact Silego Directly

Silego can be contacted directly via e-mail at info@silego.com or user submission form, located at the following URL: <http://support.silego.com/>

Other Information

The latest Silego Technology press releases, listing of seminars and events, listings of worldwide Silego Technology offices and representatives are all available at <http://www.silego.com/>

THIS PRODUCT HAS BEEN DESIGNED AND QUALIFIED FOR THE CONSUMER MARKET. APPLICATIONS OR USES AS CRITICAL COMPONENTS IN LIFE SUPPORT DEVICES OR SYSTEMS ARE NOT AUTHORIZED. SILEGO TECHNOLOGY DOES NOT ASSUME ANY LIABILITY ARISING OUT OF SUCH APPLICATIONS OR USES OF ITS PRODUCTS. SILEGO TECHNOLOGY RESERVES THE RIGHT TO IMPROVE PRODUCT DESIGN, FUNCTIONS AND RELIABILITY WITHOUT NOTICE.



Компания «ЭлектроПласт» предлагает заключение долгосрочных отношений при поставках импортных электронных компонентов на взаимовыгодных условиях!

Наши преимущества:

- Оперативные поставки широкого спектра электронных компонентов отечественного и импортного производства напрямую от производителей и с крупнейших мировых складов;
- Поставка более 17-ти миллионов наименований электронных компонентов;
- Поставка сложных, дефицитных, либо снятых с производства позиций;
- Оперативные сроки поставки под заказ (от 5 рабочих дней);
- Экспресс доставка в любую точку России;
- Техническая поддержка проекта, помощь в подборе аналогов, поставка прототипов;
- Система менеджмента качества сертифицирована по Международному стандарту ISO 9001;
- Лицензия ФСБ на осуществление работ с использованием сведений, составляющих государственную тайну;
- Поставка специализированных компонентов (Xilinx, Altera, Analog Devices, Intersil, Interpoint, Microsemi, Aeroflex, Peregrine, Syfer, Eurofarad, Texas Instrument, Miteq, Cobham, E2V, MA-COM, Hittite, Mini-Circuits, General Dynamics и др.);

Помимо этого, одним из направлений компании «ЭлектроПласт» является направление «Источники питания». Мы предлагаем Вам помощь Конструкторского отдела:

- Подбор оптимального решения, техническое обоснование при выборе компонента;
- Подбор аналогов;
- Консультации по применению компонента;
- Поставка образцов и прототипов;
- Техническая поддержка проекта;
- Защита от снятия компонента с производства.



Как с нами связаться

Телефон: 8 (812) 309 58 32 (многоканальный)

Факс: 8 (812) 320-02-42

Электронная почта: org@eplast1.ru

Адрес: 198099, г. Санкт-Петербург, ул. Калинина, дом 2, корпус 4, литера А.