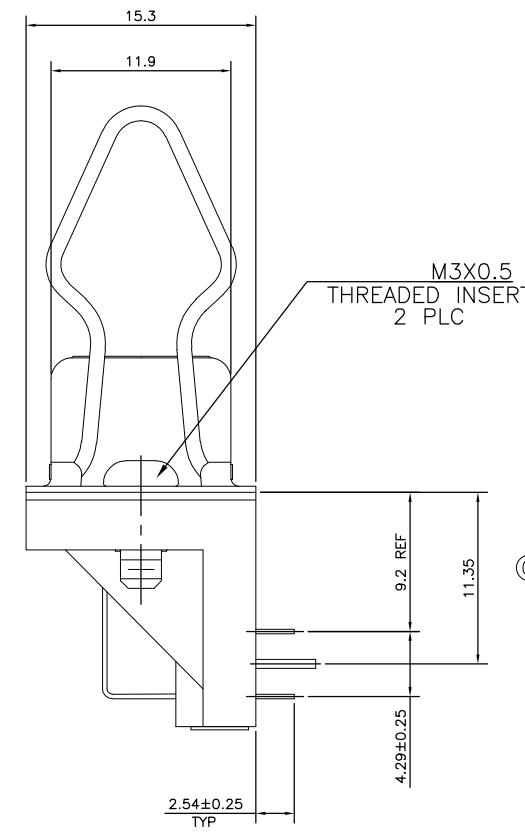
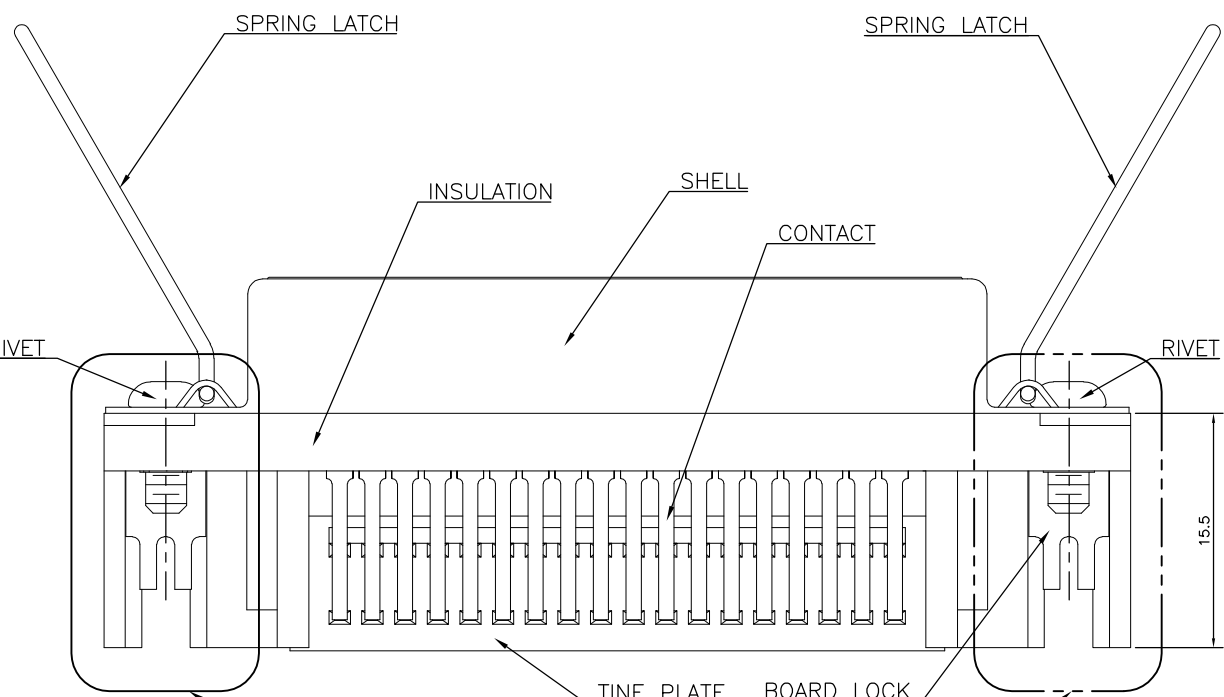
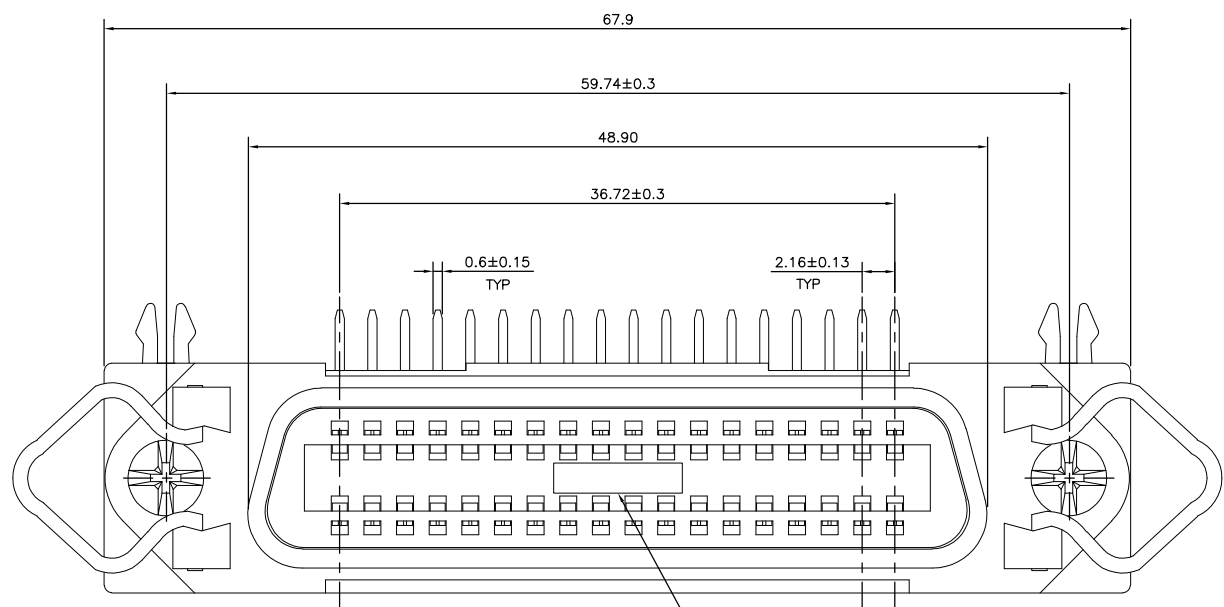


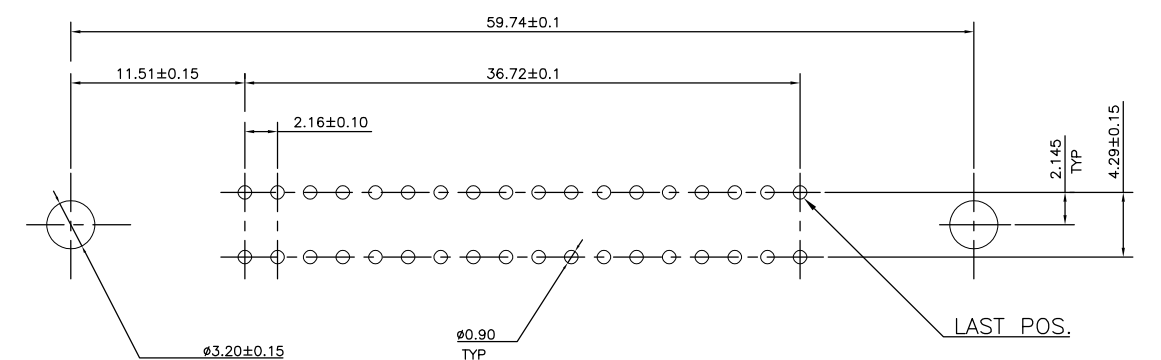
THIS DRAWING IS UNPUBLISHED. RELEASED FOR PUBLICATION
 © COPYRIGHT - By - ALL RIGHTS RESERVED.

LOC	DIST	REVISIONS			
P	LTR	DESCRIPTION	DATE	DWN	APVD
	C	REVISED PER ECR-12-013431	15APR2013	K.M	E.T



NOTE:
 1. MATERIAL:
 HOUSING: THERMOPLASTIC WITH GLASS-FIBER FILLED, UL 94V-0 RATED, COLOR: SEE TABLE.
 TINE PLATE: THERMOPLASTIC WITH GLASS-FIBER FILLED, UL 94V-0 RATED, COLOR: SEE TABLE
 CONTACTS: COPPER ALLOY.
 BOARD LOCK: BRASS.
 SPRING LATCH: STAINLESS STEEL
 SHELL: STEEL.
 RIVET: BRASS.
 2. FINISH:
 CONTACT: (SEE TABLE) GOLD PLATING ON CONTACT AREA, 2.54µm [100µ"] MIN. TIN-CU ON SOLDER TAIL, 1.27µm [50µ"] MIN. NICKEL UNDERPLATED ALL OVER.
 SHELL: 1.27µm [50µ"] MIN. NICKEL PLATED.
 BOARD LOCK: 3.81µm [150µ"] MIN. TIN-CU PLATED.
 RIVET: 1.27µm [50µ"] MIN. NICKEL PLATED.
 ⚠ SEE SHEET 4 FOR DIFFERENT POINT EXPLANATION.
 ⚠ SEE SHEET 3 FOR DIFFERENT POINT EXPLANATION.
 ⚠ SEE SHEET 4 FOR DIFFERENT POINT EXPLANATION.

CONSTRUCTIVE AND VISUAL CHANGE REFER TO DETAIL B (ONLY FOR 4-1734044-3)
 CONSTRUCTIVE AND VISUAL CHANGE REFER TO DETAIL A



REV	DESCRIPTION	LOCK TYPE	MIN. THICKNESS	PART NUMBER
5	W/O BLACK	⚠	GOLD FLASH	5-1734044-3
4	W/O BLACK	⚠	GOLD FLASH	4-1734044-3
3	W/ BURGUNDY	⚠ RIVET(M3)	0.381um [15u"]	3-1734044-3
2	W/O BLACK	⚠ RIVET(M3)	0.381um [15u"]	2-1734044-1
1	W/O BLACK	RIVET	0.381um [15u"]	1-1734044-2
1	W/O BLACK	SCREW	0.381um [15u"]	1-1734044-1
1	W/O BLACK	⚠ RIVET(M3)	GOLD FLASH	1734044-3
1	W/O BLACK	RIVET	GOLD FLASH	1734044-2
1	W/O BLACK	SCREW	GOLD FLASH	1734044-1

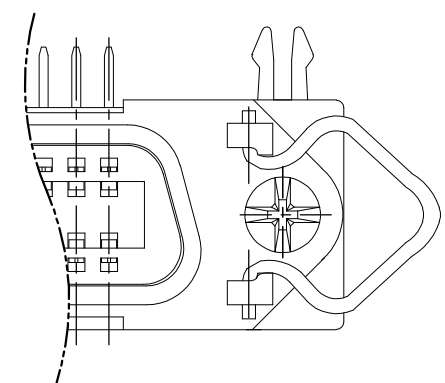
THIS DRAWING IS A CONTROLLED DOCUMENT.		DWN S. CHIEN 27OCT2008	TE Connectivity	
DIMENSIONS: mm		CHK S. CHIEN 27OCT2008		
TOLERANCES UNLESS OTHERWISE SPECIFIED:		APVD W. KODAMA 27OCT2008	NAME	
0 PLC ± 0.38		PRODUCT SPEC 108-57098		
1 PLC ± 0.25		APPLICATION SPEC		
2 PLC ± 0.13		SIZE CAGE CODE DRAWING NO RESTRICTED TO		
3 PLC ± 0.05		WEIGHT GRAMS A3 00779 C-1734044		
4 PLC ± -		CUSTOMER DRAWING SCALE SHEET 1 OF 5 REV C		
ANGLES ± 3'				
FINISH				
MATERIAL SEE NOTES				
SEE NOTES				

THIS DRAWING IS UNPUBLISHED. RELEASED FOR PUBLICATION - , - .
 © COPYRIGHT - By - ALL RIGHTS RESERVED.

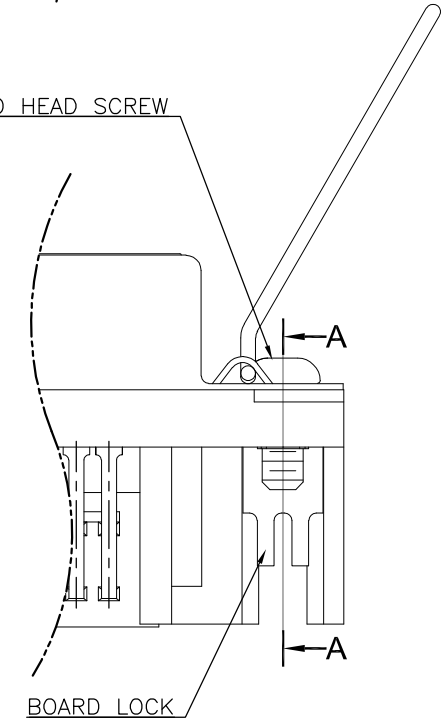
LOC	DIST	REVISIONS			
P	LTR	DESCRIPTION	DATE	DWN	APVD
		SEE SHEET 1	-	-	-

DETAIL A

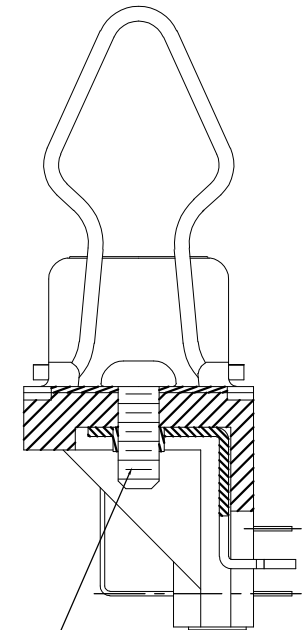
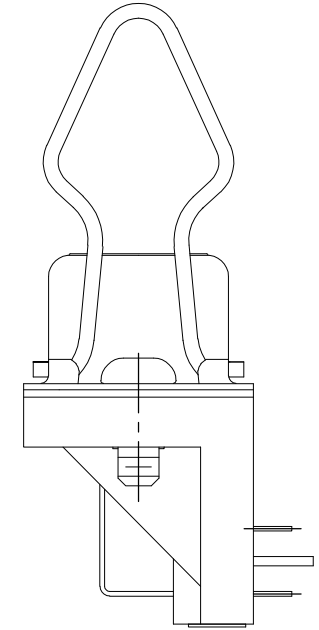
DETAIL A



ROUND HEAD SCREW

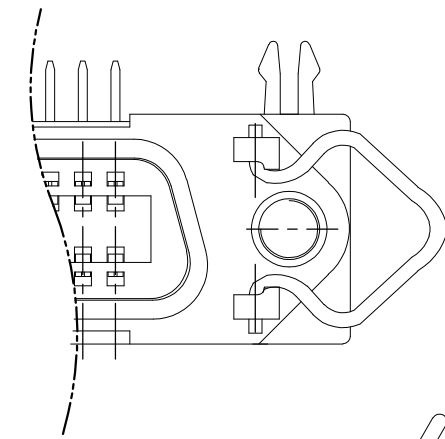


BOARD LOCK

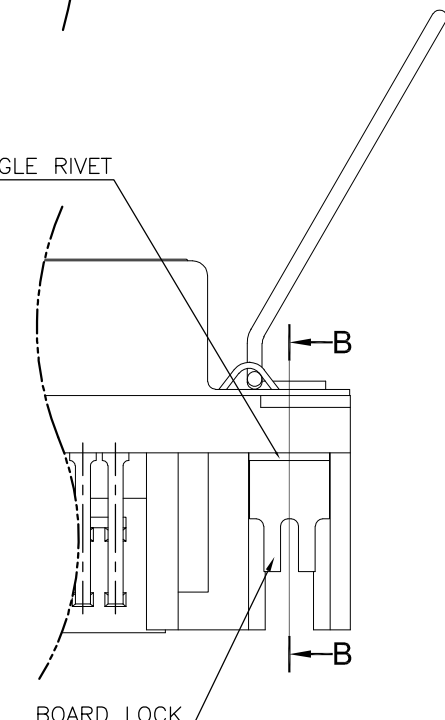


#4-40UNC

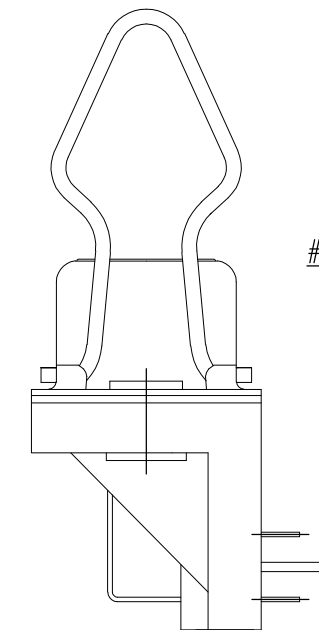
SECTION A-A



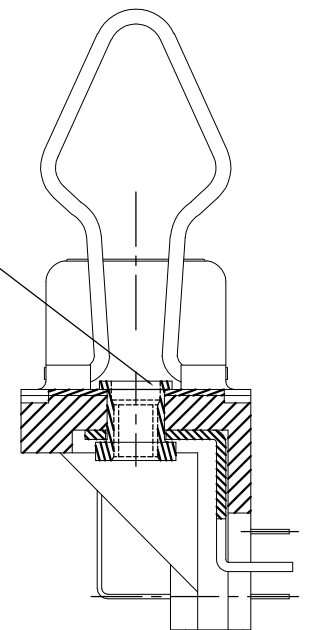
QUARTRANGLE RIVET



BOARD LOCK



#4-40UNC



SECTION B-B

FOR X-1734044-1

FOR X-1734044-2

THIS DRAWING IS A CONTROLLED DOCUMENT.		DWN	TE Connectivity NAME RECEPTACLE ASSEMBLY, 36P RIGHT ANGLE, CENTRONICS.			
DIMENSIONS: mm		CHK				
TOLERANCES UNLESS OTHERWISE SPECIFIED: 0 PLC ± 0.38 1 PLC ± 0.25 2 PLC ± 0.13 3 PLC ± 0.05 4 PLC ± - ANGLES ± - MATERIAL FINISH		APVD				
		PRODUCT SPEC				
MATERIAL		APPLICATION SPEC	SIZE	CAGE CODE	DRAWING NO	RESTRICTED TO
		WEIGHT	A3	00779	C-1734044	-
CUSTOMER DRAWING			SCALE	SHEET	REV	
			-	2 OF 5	C	

THIS DRAWING IS UNPUBLISHED.

RELEASED FOR PUBLICATION

ALL RIGHTS RESERVED.

© COPYRIGHT - By -

LOC
DW

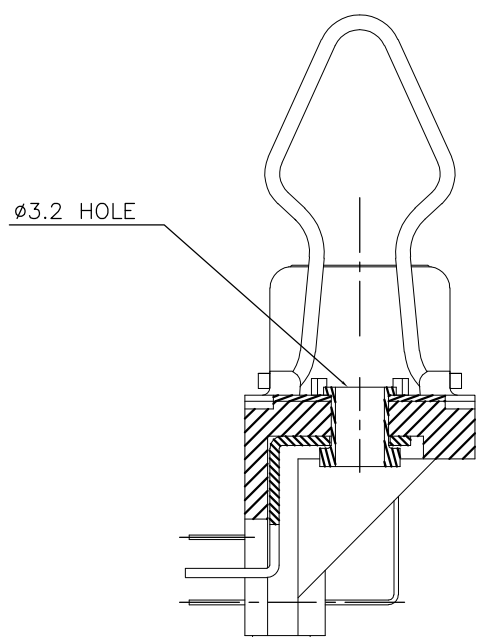
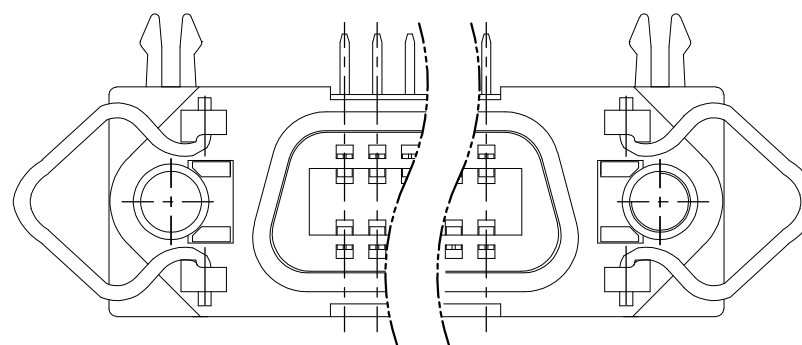
DIST
/

REVISIONS

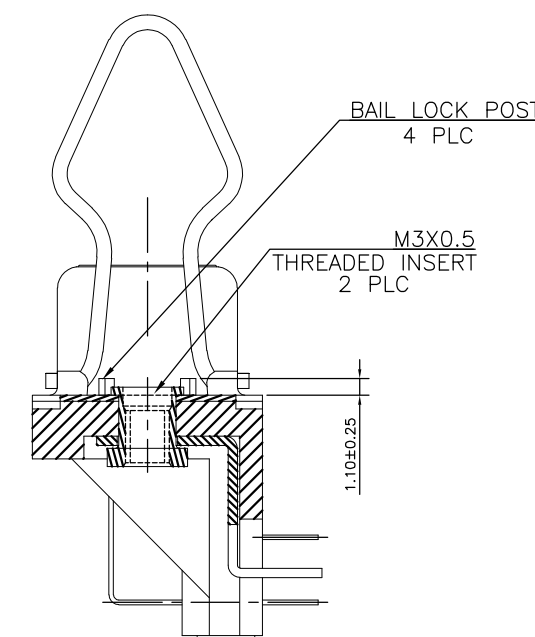
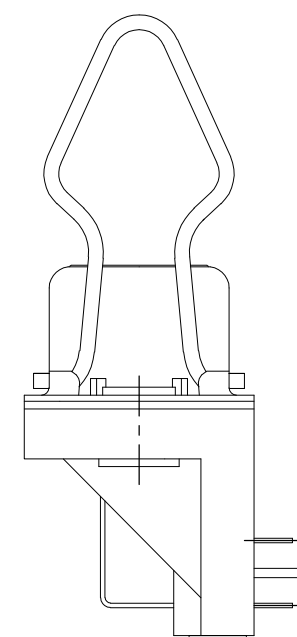
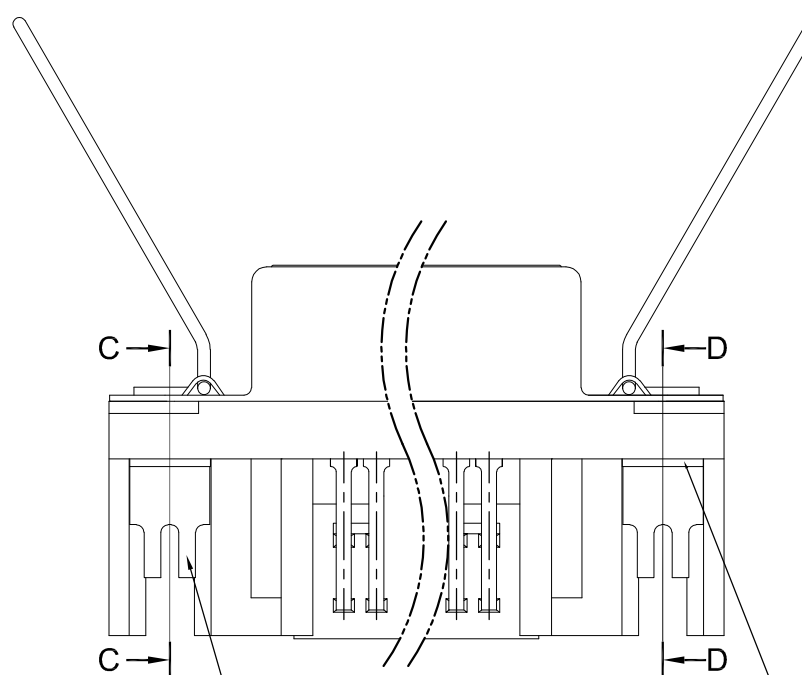
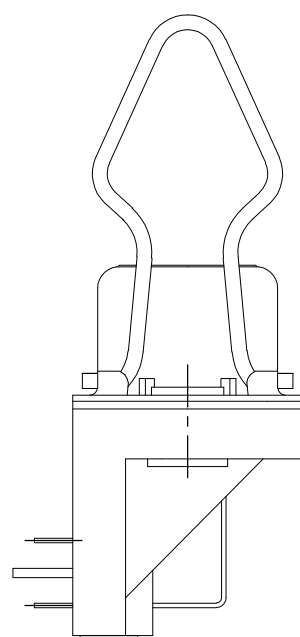
P	LTR	DESCRIPTION	DATE	DWN	APVD
-	-	SEE SHEET 1	-	-	-

DETAIL B

DETAIL A



SECTION C-C



SECTION D-D

ONLY FOR 4-1734044-3-4

THIS DRAWING IS A CONTROLLED DOCUMENT.		DWN	TE Connectivity NAME RECEPTACLE ASSEMBLY, 36P RIGHT ANGLE, CENTRONICS.			
DIMENSIONS: mm		CHK				
TOLERANCES UNLESS OTHERWISE SPECIFIED:		APVD				
0 PLC ± - 1 PLC ± - 2 PLC ± - 3 PLC ± - 4 PLC ± - ANGLES ± - MATERIAL FINISH		PRODUCT SPEC				
MATERIAL		APPLICATION SPEC	SIZE	CAGE CODE	DRAWING NO	RESTRICTED TO
		WEIGHT	A3	00779	C-1734044	-
CUSTOMER DRAWING			SCALE	SHEET	REV	
			-	3 OF 5	C	

THIS DRAWING IS UNPUBLISHED.

RELEASED FOR PUBLICATION

ALL RIGHTS RESERVED.

© COPYRIGHT - By -

LOC
DW

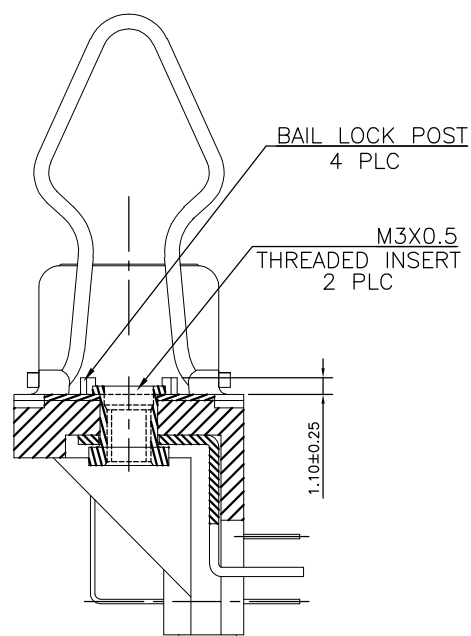
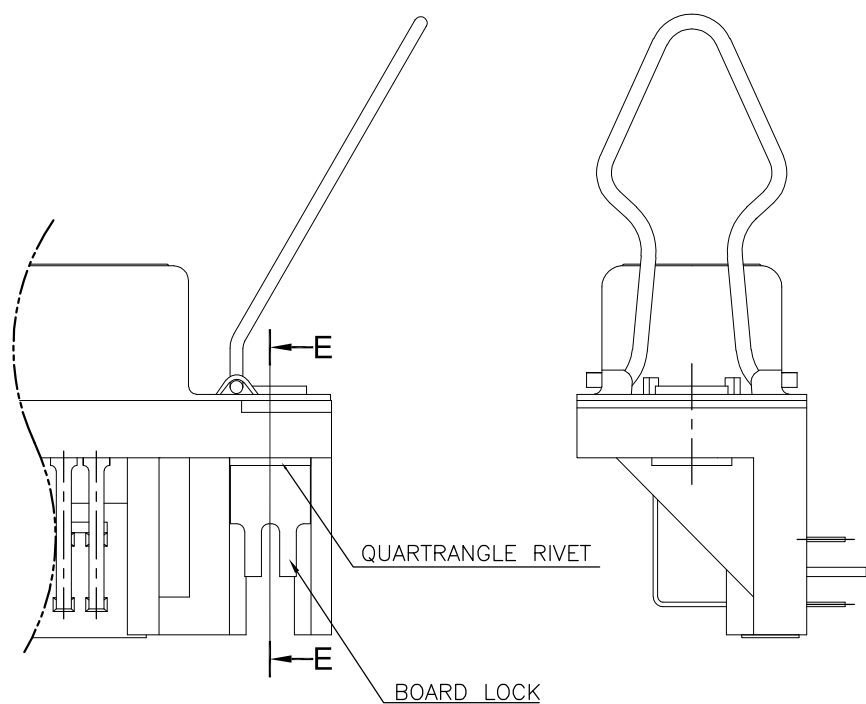
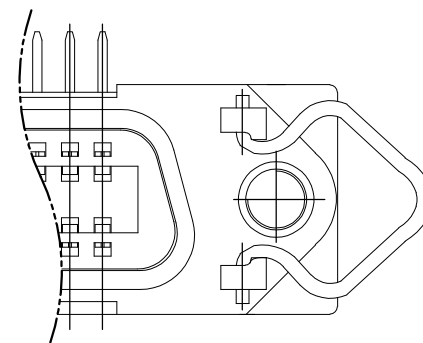
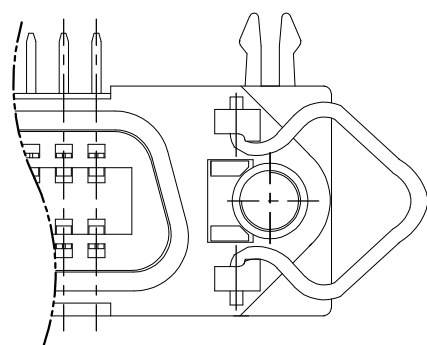
DIST
-

REVISIONS

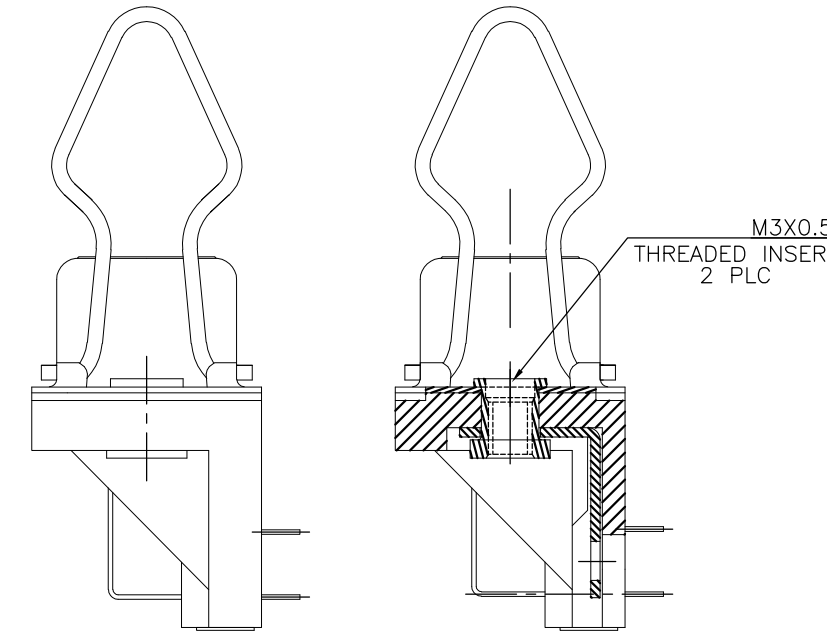
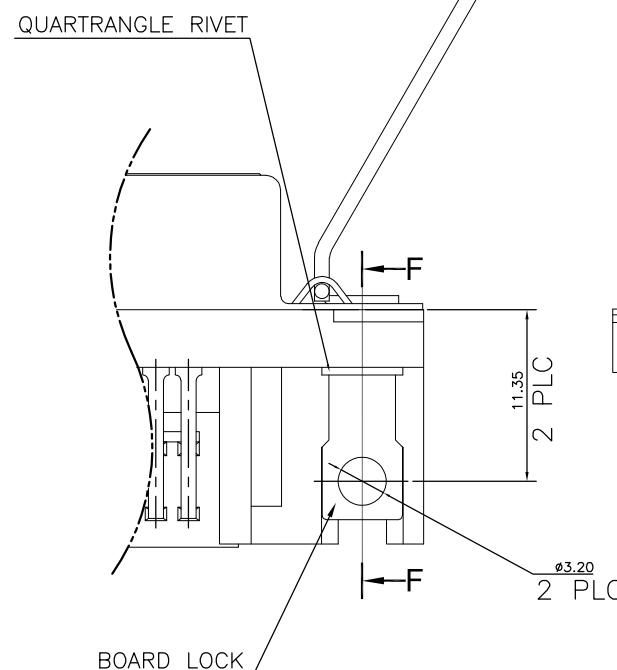
P	LTR	DESCRIPTION	DATE	DWN	APVD
-	-	SEE SHEET 1	-	-	-

DETAIL A

DETAIL A



SECTION E-E



SECTION F-F

FOR 1734044-3, 1-1734044-3, 3-1734044-3

ONLY FOR 5-1734044-3

THIS DRAWING IS A CONTROLLED DOCUMENT.		DWN	TE Connectivity NAME RECEPTACLE ASSEMBLY, 36P RIGHT ANGLE, CENTRONICS.				
DIMENSIONS: mm		CHK					
		APVD					
TOLERANCES UNLESS OTHERWISE SPECIFIED: 0 PLC ± 0.38 1 PLC ± 0.25 2 PLC ± 0.13 3 PLC ± 0.05 4 PLC ± - ANGLES ± 3°		PRODUCT SPEC					
MATERIAL		FINISH	APPLICATION SPEC	SIZE	CAGE CODE	DRAWING NO	RESTRICTED TO
			WEIGHT	A3	00779	C-1734044	
CUSTOMER DRAWING			SCALE	SHEET	REV		
			-	4 OF 5	C		

THIS DRAWING IS UNPUBLISHED.

RELEASED FOR PUBLICATION

ALL RIGHTS RESERVED.

© COPYRIGHT - By -

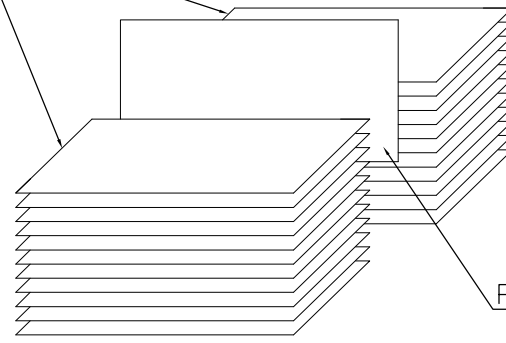
LOC
DW

DIST
/

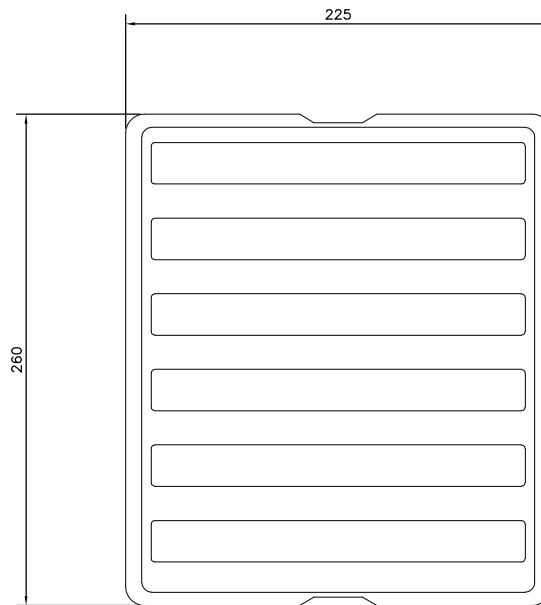
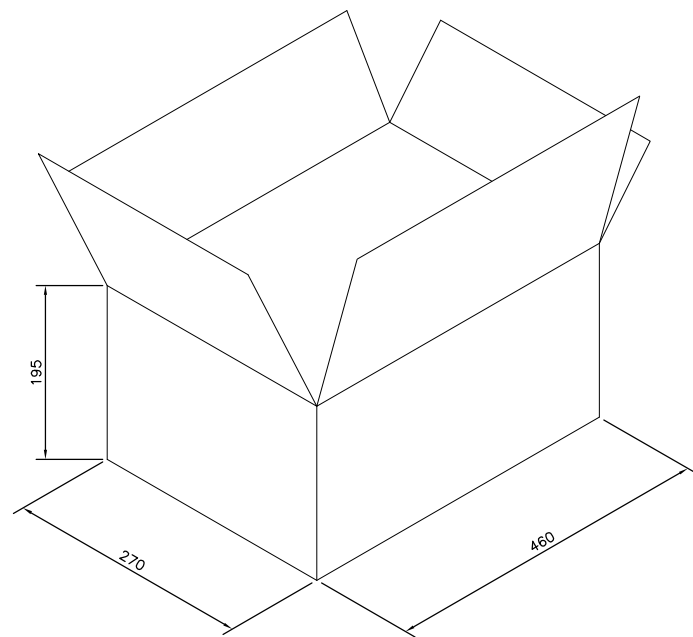
REVISIONS

P	LTR	DESCRIPTION	DATE	DWN	APVD
-	-	SEE SHEET 1	-	-	-

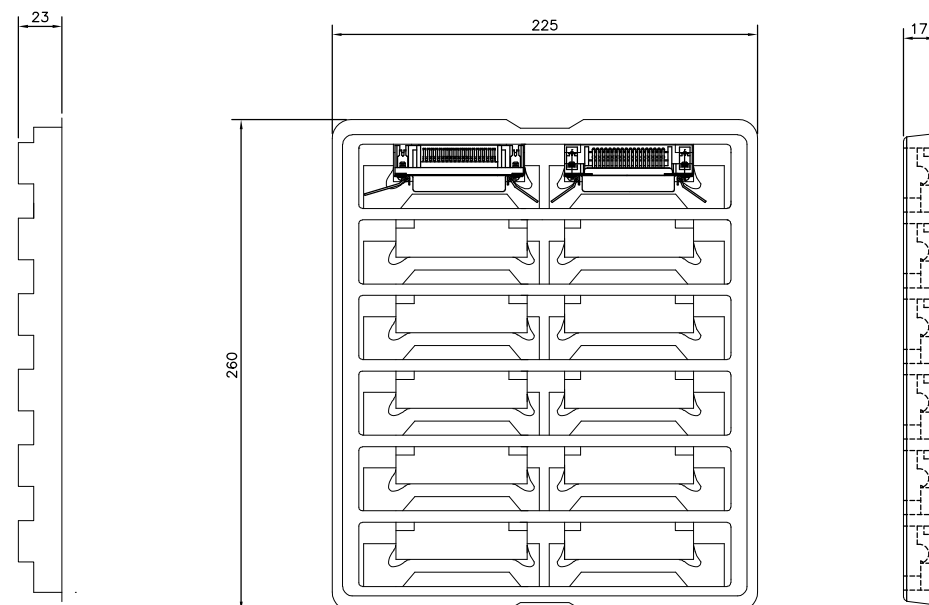
PVC TRAY



PAPER BOARD



UPPER COVER



LOWER COVER

8.0	9.0	12	16	192
NET WEIGHT (KGS)	GROSS WEIGHT (KGS)	PCS/TRAY	TRAYS/ OUTER BOX	QUANTITY

THIS DRAWING IS A CONTROLLED DOCUMENT.

DIMENSIONS:	
mm	

TOLERANCES UNLESS OTHERWISE SPECIFIED:	
0 PLC	± -
1 PLC	± -
2 PLC	± -
3 PLC	± -
4 PLC	± -
ANGLES	± -
FINISH	-

MATERIAL

FINISH

DWN	-
CHK	-
APVD	-
PRODUCT SPEC	-
APPLICATION SPEC	-
WEIGHT	-

STE TE Connectivity

NAME: RECEPTACLE ASSEMBLY, 36P RIGHT ANGLE, CENTRONICS.

SIZE	CAGE CODE	DRAWING NO	RESTRICTED TO
A3	00779	C-1734044	-

CUSTOMER DRAWING	SCALE	SHEET 5 OF 5	REV C
------------------	-------	--------------	-------



Компания «ЭлектроПласт» предлагает заключение долгосрочных отношений при поставках импортных электронных компонентов на взаимовыгодных условиях!

Наши преимущества:

- Оперативные поставки широкого спектра электронных компонентов отечественного и импортного производства напрямую от производителей и с крупнейших мировых складов;
- Поставка более 17-ти миллионов наименований электронных компонентов;
- Поставка сложных, дефицитных, либо снятых с производства позиций;
- Оперативные сроки поставки под заказ (от 5 рабочих дней);
- Экспресс доставка в любую точку России;
- Техническая поддержка проекта, помощь в подборе аналогов, поставка прототипов;
- Система менеджмента качества сертифицирована по Международному стандарту ISO 9001;
- Лицензия ФСБ на осуществление работ с использованием сведений, составляющих государственную тайну;
- Поставка специализированных компонентов (Xilinx, Altera, Analog Devices, Intersil, Interpoint, Microsemi, Aeroflex, Peregrine, Syfer, Eurofarad, Texas Instrument, Miteq, Cobham, E2V, MA-COM, Hittite, Mini-Circuits, General Dynamics и др.);

Помимо этого, одним из направлений компании «ЭлектроПласт» является направление «Источники питания». Мы предлагаем Вам помощь Конструкторского отдела:

- Подбор оптимального решения, техническое обоснование при выборе компонента;
- Подбор аналогов;
- Консультации по применению компонента;
- Поставка образцов и прототипов;
- Техническая поддержка проекта;
- Защита от снятия компонента с производства.



Как с нами связаться

Телефон: 8 (812) 309 58 32 (многоканальный)

Факс: 8 (812) 320-02-42

Электронная почта: org@eplast1.ru

Адрес: 198099, г. Санкт-Петербург, ул. Калинина, дом 2, корпус 4, литера А.