

## 60 MHz, 6 mA Op Amps

### Features

- Gain Bandwidth Product: 60 MHz (typical)
- Short Circuit Current: 90 mA (typical)
- Noise: 6.8 nV/√Hz (typical, at 1 MHz)
- Rail-to-Rail Output
- Slew Rate: 32 V/μs (typical)
- Supply Current: 6.0 mA (typical)
- Power Supply: 2.5V to 5.5V
- Extended Temperature Range: -40°C to +125°C

### Typical Applications

- Driving A/D Converters
- Power Amplifier Control Loops
- Barcode Scanners
- Optical Detector Amplifier

### Design Aids

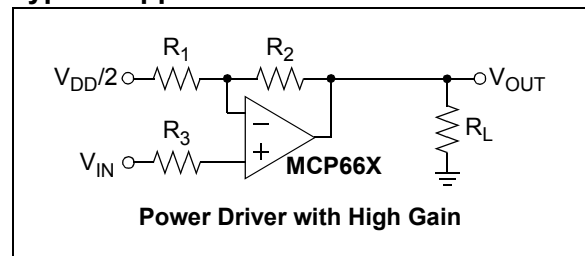
- SPICE Macro Models
- FilterLab® Software
- Microchip Advanced Part Selector (MAPS)
- Analog Demonstration and Evaluation Boards
- Application Notes

### Description

The Microchip Technology, Inc. MCP660/1/2/3/4/5/9 family of operational amplifiers (op amps) features high gain bandwidth product (60 MHz, typical) and high output short circuit current (90 mA, typical). Some also provide a Chip Select pin ( $\overline{CS}$ ) that supports a Low Power mode of operation. These amplifiers are optimized for high speed, low noise and distortion, single-supply operation with rail-to-rail output and an input that includes the negative rail.

This family is offered in single (MCP661), single with  $\overline{CS}$  pin (MCP663), dual (MCP662) and dual with two  $\overline{CS}$  pins (MCP665), triple (MCP660), quad (MCP664) and quad with two  $\overline{CS}$  pins (MCP669). All devices are fully specified from -40°C to +125°C.

### Typical Application Circuit



# MCP660/1/2/3/4/5/9

## Package Types



## 1.0 ELECTRICAL CHARACTERISTICS

### 1.1 Absolute Maximum Ratings †

$V_{DD} - V_{SS}$ .....	6.5V
Current at Input Pins .....	±2 mA
Analog Inputs ( $V_{IN+}$ and $V_{IN-}$ ) †† . $V_{SS} - 1.0V$ to $V_{DD} + 1.0V$	
All other Inputs and Outputs .....	$V_{SS} - 0.3V$ to $V_{DD} + 0.3V$
Output Short Circuit Current .....	Continuous
Current at Output and Supply Pins .....	±150 mA
Storage Temperature .....	-65°C to +150°C
Max. Junction Temperature .....	+150°C
ESD protection on all pins (HBM, MM) .....	≥ 1 kV, 200V

† **Notice:** Stresses above those listed under “Absolute Maximum Ratings” may cause permanent damage to the device. This is a stress rating only and functional operation of the device at those or any other conditions above those indicated in the operational listings of this specification is not implied. Exposure to maximum rating conditions for extended periods may affect device reliability.

†† See [Section 4.1.2 “Input Voltage and Current Limits”](#).

### 1.2 Specifications

**TABLE 1-1: DC ELECTRICAL SPECIFICATIONS**

<b>Electrical Characteristics:</b> Unless otherwise indicated, $T_A = +25^\circ\text{C}$ , $V_{DD} = +2.5V$ to $+5.5V$ , $V_{SS} = \text{GND}$ , $V_{CM} = V_{DD}/3$ , $V_{OUT} \approx V_{DD}/2$ , $V_L = V_{DD}/2$ , $R_L = 1 \text{ k}\Omega$ to $V_L$ and $\overline{\text{CS}} = V_{SS}$ (refer to <a href="#">Figure 1-2</a> ).						
Parameters	Sym	Min	Typ	Max	Units	Conditions
<b>Input Offset</b>						
Input Offset Voltage	$V_{OS}$	-8	±1.8	+8	mV	
Input Offset Voltage Drift	$\Delta V_{OS}/\Delta T_A$	—	±2.0	—	$\mu\text{V}/^\circ\text{C}$	$T_A = -40^\circ\text{C}$ to $+125^\circ\text{C}$
Power Supply Rejection Ratio	PSRR	61	76	—	dB	
<b>Input Current and Impedance</b>						
Input Bias Current	$I_B$	—	6	—	pA	
Across Temperature	$I_B$	—	130	—	pA	$T_A = +85^\circ\text{C}$
Across Temperature	$I_B$	—	1700	5,000	pA	$T_A = +125^\circ\text{C}$
Input Offset Current	$I_{OS}$	—	±10	—	pA	
Common Mode Input Impedance	$Z_{CM}$	—	$10^{13}  9$	—	$\Omega  \text{pF}$	
Differential Input Impedance	$Z_{DIFF}$	—	$10^{13}  2$	—	$\Omega  \text{pF}$	
<b>Common Mode</b>						
Common-Mode Input Voltage Range	$V_{CMR}$	$V_{SS} - 0.3$	—	$V_{DD} - 1.3$	V	<b>(Note 1)</b>
Common-Mode Rejection Ratio	CMRR	64	79	—	dB	$V_{DD} = 2.5V$ , $V_{CM} = -0.3$ to $1.2V$
	CMRR	66	81	—	dB	$V_{DD} = 5.5V$ , $V_{CM} = -0.3$ to $4.2V$
<b>Open Loop Gain</b>						
DC Open Loop Gain (large signal)	$A_{OL}$	88	117	—	dB	$V_{DD} = 2.5V$ , $V_{OUT} = 0.3V$ to $2.2V$
	$A_{OL}$	94	126	—	dB	$V_{DD} = 5.5V$ , $V_{OUT} = 0.3V$ to $5.2V$

**Note 1:** See [Figure 2-5](#) for temperature effects.

**2:** The  $I_{SC}$  specifications are for design guidance only; they are not tested.

# MCP660/1/2/3/4/5/9

**TABLE 1-1: DC ELECTRICAL SPECIFICATIONS (CONTINUED)**

**Electrical Characteristics:** Unless otherwise indicated,  $T_A = +25^\circ\text{C}$ ,  $V_{DD} = +2.5\text{V}$  to  $+5.5\text{V}$ ,  $V_{SS} = \text{GND}$ ,  $V_{CM} = V_{DD}/3$ ,  $V_{OUT} \approx V_{DD}/2$ ,  $V_L = V_{DD}/2$ ,  $R_L = 1\text{ k}\Omega$  to  $V_L$  and  $\overline{\text{CS}} = V_{SS}$  (refer to [Figure 1-2](#)).

Parameters	Sym	Min	Typ	Max	Units	Conditions
<b>Output</b>						
Maximum Output Voltage Swing	$V_{OL}, V_{OH}$	$V_{SS} + 25$	—	$V_{DD} - 25$	mV	$V_{DD} = 2.5\text{V}$ , $G = +2$ , 0.5V Input Overdrive
	$V_{OL}, V_{OH}$	$V_{SS} + 50$	—	$V_{DD} - 50$	mV	$V_{DD} = 5.5\text{V}$ , $G = +2$ , 0.5V Input Overdrive
Output Short Circuit Current	$I_{SC}$	$\pm 45$	$\pm 90$	$\pm 145$	mA	$V_{DD} = 2.5\text{V}$ ( <b>Note 2</b> )
	$I_{SC}$	$\pm 40$	$\pm 80$	$\pm 150$	mA	$V_{DD} = 5.5\text{V}$ ( <b>Note 2</b> )
<b>Power Supply</b>						
Supply Voltage	$V_{DD}$	2.5	—	5.5	V	
Quiescent Current per Amplifier	$I_Q$	3	6	9	mA	No Load Current

**Note 1:** See [Figure 2-5](#) for temperature effects.

**Note 2:** The  $I_{SC}$  specifications are for design guidance only; they are not tested.

**TABLE 1-2: AC ELECTRICAL SPECIFICATIONS**

**Electrical Characteristics:** Unless indicated,  $T_A = +25^\circ\text{C}$ ,  $V_{DD} = +2.5\text{V}$  to  $+5.5\text{V}$ ,  $V_{SS} = \text{GND}$ ,  $V_{CM} = V_{DD}/2$ ,  $V_{OUT} \approx V_{DD}/2$ ,  $V_L = V_{DD}/2$ ,  $R_L = 1\text{ k}\Omega$  to  $V_L$ ,  $C_L = 20\text{ pF}$  and  $\overline{\text{CS}} = V_{SS}$  (refer to [Figure 1-2](#)).

Parameters	Sym	Min	Typ	Max	Units	Conditions
<b>AC Response</b>						
Gain Bandwidth Product	GBWP	—	60	—	MHz	
Phase Margin	PM	—	65	—	°	$G = +1$
Open Loop Output Impedance	$R_{OUT}$	—	10	—	$\Omega$	
<b>AC Distortion</b>						
Total Harmonic Distortion plus Noise	THD+N	—	0.003	—	%	$G = +1$ , $V_{OUT} = 2V_{P-P}$ , $f = 1\text{ kHz}$ , $V_{DD} = 5.5\text{V}$ , $BW = 80\text{ kHz}$
Differential Gain, Positive Video ( <b>Note 1</b> )	DG	—	0.3	—	%	NTSC, $V_{DD} = +2.5\text{V}$ , $V_{SS} = -2.5\text{V}$ , $G = +2$ , $V_L = 0\text{V}$ , DC $V_{IN} = 0\text{V}$ to 0.7V
Differential Gain, Negative Video ( <b>Note 1</b> )	DG	—	0.3	—	%	NTSC, $V_{DD} = +2.5\text{V}$ , $V_{SS} = -2.5\text{V}$ , $G = +2$ , $V_L = 0\text{V}$ , DC $V_{IN} = 0\text{V}$ to -0.7V
Differential Phase, Positive Video ( <b>Note 1</b> )	DP	—	0.3	—	°	NTSC, $V_{DD} = +2.5\text{V}$ , $V_{SS} = -2.5\text{V}$ , $G = +2$ , $V_L = 0\text{V}$ , DC $V_{IN} = 0\text{V}$ to 0.7V
Differential Phase, Negative Video ( <b>Note 1</b> )	DP	—	0.9	—	°	NTSC, $V_{DD} = +2.5\text{V}$ , $V_{SS} = -2.5\text{V}$ , $G = +2$ , $V_L = 0\text{V}$ , DC $V_{IN} = 0\text{V}$ to -0.7V
<b>Step Response</b>						
Rise Time, 10% to 90%	$t_r$	—	5	—	ns	$G = +1$ , $V_{OUT} = 100\text{ mV}_{P-P}$
Slew Rate	SR	—	32	—	V/ $\mu\text{s}$	$G = +1$
<b>Noise</b>						
Input Noise Voltage	$E_{ni}$	—	14	—	$\mu\text{V}_{P-P}$	$f = 0.1\text{ Hz}$ to $10\text{ Hz}$
Input Noise Voltage Density	$e_{ni}$	—	6.8	—	nV/ $\sqrt{\text{Hz}}$	$f = 1\text{ MHz}$
Input Noise Current Density	$i_{ni}$	—	4	—	fA/ $\sqrt{\text{Hz}}$	$f = 1\text{ kHz}$

**Note 1:** These specifications are described in detail in [Section 4.3 “Distortion”](#). (NTSC refers to a National Television Standards Committee signal.)

**TABLE 1-3: DIGITAL ELECTRICAL SPECIFICATIONS**

**Electrical Characteristics:** Unless indicated,  $T_A = +25^\circ\text{C}$ ,  $V_{DD} = +2.5\text{V to } +5.5\text{V}$ ,  $V_{SS} = \text{GND}$ ,  $V_{CM} = V_{DD}/2$ ,  $V_{OUT} \approx V_{DD}/2$ ,  $V_L = V_{DD}/2$ ,  $R_L = 1\text{ k}\Omega$  to  $V_L$ ,  $C_L = 20\text{ pF}$  and  $\overline{\text{CS}} = V_{SS}$  (refer to [Figure 1-1](#) and [Figure 1-2](#)).

Parameters	Sym	Min	Typ	Max	Units	Conditions
<b><math>\overline{\text{CS}}</math> Low Specifications</b>						
$\overline{\text{CS}}$ Logic Threshold, Low	$V_{IL}$	$V_{SS}$	—	$0.2V_D$	V	
$\overline{\text{CS}}$ Input Current, Low	$I_{CSL}$	—	-0.1	—	nA	$\overline{\text{CS}} = 0\text{V}$
<b><math>\overline{\text{CS}}</math> High Specifications</b>						
$\overline{\text{CS}}$ Logic Threshold, High	$V_{IH}$	$0.8V_D$		$V_{DD}$	V	
$\overline{\text{CS}}$ Input Current, High	$I_{CSH}$	—	-0.7	—	$\mu\text{A}$	$\overline{\text{CS}} = V_{DD}$
GND Current	$I_{SS}$	-2	-1	—	$\mu\text{A}$	
$\overline{\text{CS}}$ Internal Pull Down Resistor	$R_{PD}$	—	5	—	$\text{M}\Omega$	
Amplifier Output Leakage	$I_{O(\text{LEAK})}$	—	40	—	nA	$\overline{\text{CS}} = V_{DD}$ , $T_A = +125^\circ\text{C}$
<b><math>\overline{\text{CS}}</math> Dynamic Specifications</b>						
$\overline{\text{CS}}$ Input Hysteresis	$V_{HYST}$	—	0.25	—	V	
$\overline{\text{CS}}$ High to Amplifier Off Time (output goes High-Z)	$t_{OFF}$	—	200	—	ns	$G = +1\text{ V/V}$ , $V_L = V_{SS}$ $\overline{\text{CS}} = 0.8V_{DD}$ to $V_{OUT} = 0.1(V_{DD}/2)$
$\overline{\text{CS}}$ Low to Amplifier On Time	$t_{ON}$	—	2	10	$\mu\text{s}$	$G = +1\text{ V/V}$ , $V_L = V_{SS}$ , $\overline{\text{CS}} = 0.2V_{DD}$ to $V_{OUT} = 0.9(V_{DD}/2)$

**TABLE 1-4: TEMPERATURE SPECIFICATIONS**

**Electrical Characteristics:** Unless indicated, all limits are specified for:  $V_{DD} = +2.5\text{V to } +5.5\text{V}$ ,  $V_{SS} = \text{GND}$ .

Parameters	Sym	Min	Typ	Max	Units	Conditions
<b>Temperature Ranges</b>						
Specified Temperature Range	$T_A$	-40	—	+125	$^\circ\text{C}$	
Operating Temperature Range	$T_A$	-40	—	+125	$^\circ\text{C}$	(Note 1)
Storage Temperature Range	$T_A$	-65	—	+150	$^\circ\text{C}$	
<b>Thermal Package Resistances</b>						
Thermal Resistance, 5L-SOT-23	$\theta_{JA}$	—	220.7	—	$^\circ\text{C/W}$	
Thermal Resistance, 6L-SOT-23	$\theta_{JA}$	—	190.5	—	$^\circ\text{C/W}$	
Thermal Resistance, 8L-3x3 DFN	$\theta_{JA}$	—	56.7	—	$^\circ\text{C/W}$	(Note 2)
Thermal Resistance, 8L-MSOP	$\theta_{JA}$	—	211	—	$^\circ\text{C/W}$	
Thermal Resistance, 8L-SOIC	$\theta_{JA}$	—	149.5	—	$^\circ\text{C/W}$	
Thermal Resistance, 8L-2x3 TDFN	$\theta_{JA}$	—	52.5	—	$^\circ\text{C/W}$	
Thermal Resistance, 10L-3x3 DFN	$\theta_{JA}$	—	53.3	—	$^\circ\text{C/W}$	(Note 2)
Thermal Resistance, 10L-MSOP	$\theta_{JA}$	—	202	—	$^\circ\text{C/W}$	
Thermal Resistance, 14L-SOIC	$\theta_{JA}$	—	95.3	—	$^\circ\text{C/W}$	
Thermal Resistance, 14L-TSSOP	$\theta_{JA}$	—	100	—	$^\circ\text{C/W}$	
Thermal Resistance, 16L-QFN	$\theta_{JA}$	—	45.7	—	$^\circ\text{C/W}$	

**Note 1:** Operation must not cause  $T_J$  to exceed Maximum Junction Temperature specification (+150 $^\circ\text{C}$ ).

**2:** Measured on a standard JC51-7, four layer printed circuit board with ground plane and vias.

# MCP660/1/2/3/4/5/9

## 1.3 Timing Diagram



**FIGURE 1-1:** Timing Diagram.

## 1.4 Test Circuits

The circuit used for most DC and AC tests is shown in [Figure 1-2](#). This circuit can independently set  $V_{CM}$  and  $V_{OUT}$ ; see [Equation 1-1](#). Note that  $V_{CM}$  is not the circuit's Common mode voltage ( $(V_P + V_M)/2$ ), and that  $V_{OST}$  includes  $V_{OS}$  plus the effects (on the input offset error,  $V_{OST}$ ) of temperature, CMRR, PSRR and  $A_{OL}$ .

### EQUATION 1-1:

$$G_{DM} = R_F/R_G$$

$$V_{CM} = (V_P + V_{DD}/2)/2$$

$$V_{OST} = V_{IN-} - V_{IN+}$$

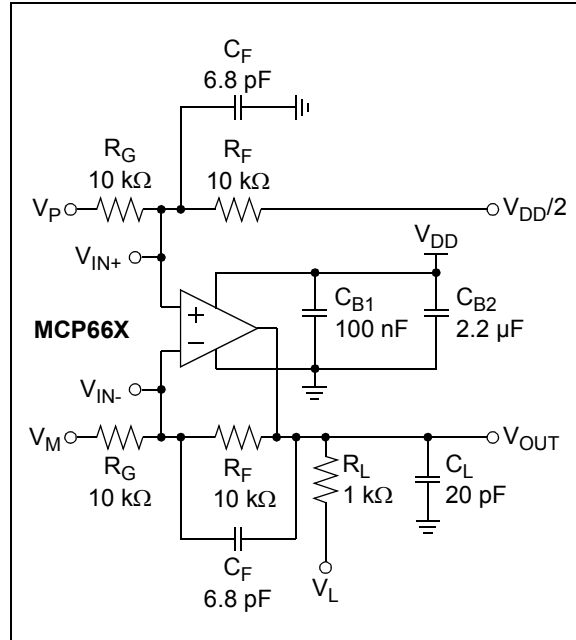
$$V_{OUT} = (V_{DD}/2) + (V_P - V_M) + V_{OST}(1 + G_{DM})$$

Where:

$G_{DM}$  = Differential Mode Gain (V/V)

$V_{CM}$  = Op Amp's Common Mode Input Voltage (V)

$V_{OST}$  = Op Amp's Total Input Offset Voltage (mV)



**FIGURE 1-2:** AC and DC Test Circuit for Most Specifications.

## 2.0 TYPICAL PERFORMANCE CURVES

**Note:** The graphs and tables provided following this note are a statistical summary based on a limited number of samples and are provided for informational purposes only. The performance characteristics listed herein are not tested or guaranteed. In some graphs or tables, the data presented may be outside the specified operating range (e.g., outside specified power supply range) and therefore outside the warranted range.

**Note:** Unless indicated,  $T_A = +25^\circ\text{C}$ ,  $V_{DD} = +2.5\text{V}$  to  $5.5\text{V}$ ,  $V_{SS} = \text{GND}$ ,  $V_{CM} = V_{DD}/3$ ,  $V_{OUT} = V_{DD}/2$ ,  $V_L = V_{DD}/2$ ,  $R_L = 1\text{ k}\Omega$  to  $V_L$ ,  $C_L = 20\text{ pF}$  and  $\overline{CS} = V_{SS}$ .

### 2.1 DC Signal Inputs

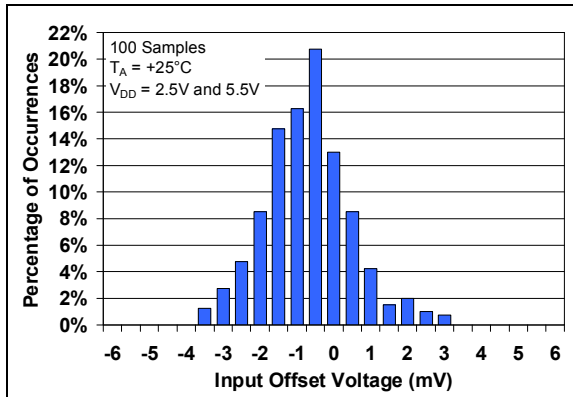


FIGURE 2-1: Input Offset Voltage.



FIGURE 2-4: Input Offset Voltage vs. Output Voltage.

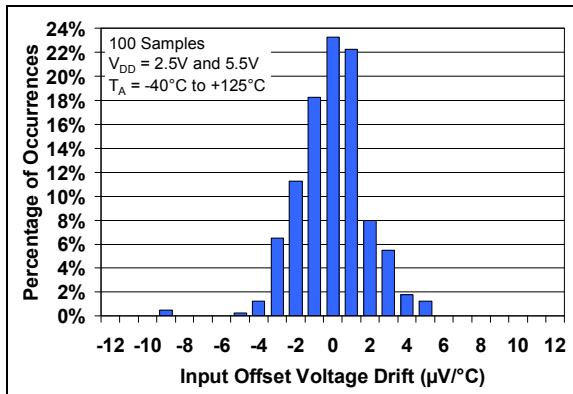


FIGURE 2-2: Input Offset Voltage Drift.



FIGURE 2-5: Low Input Common Mode Voltage Headroom vs. Ambient Temperature.

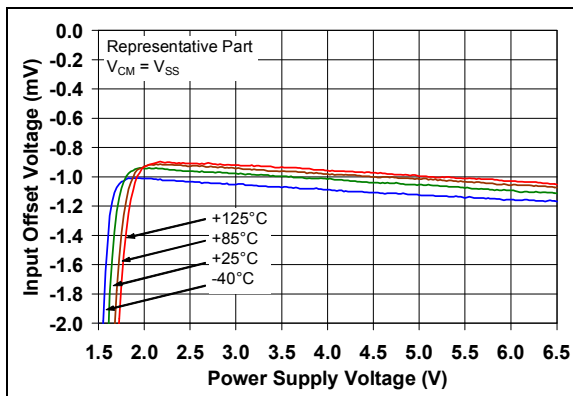


FIGURE 2-3: Input Offset Voltage vs. Power Supply Voltage with  $V_{CM} = 0\text{V}$ .



FIGURE 2-6: High Input Common Mode Voltage Headroom vs. Ambient Temperature.

# MCP660/1/2/3/4/5/9

**Note:** Unless indicated,  $T_A = +25^\circ\text{C}$ ,  $V_{DD} = +2.5\text{V}$  to  $5.5\text{V}$ ,  $V_{SS} = \text{GND}$ ,  $V_{CM} = V_{DD}/3$ ,  $V_{OUT} = V_{DD}/2$ ,  $V_L = V_{DD}/2$ ,  $R_L = 1\text{ k}\Omega$  to  $V_L$ ,  $C_L = 20\text{ pF}$  and  $CS = V_{SS}$ .



**FIGURE 2-7:** Input Offset Voltage vs. Common Mode Voltage with  $V_{DD} = 2.5\text{V}$ .



**FIGURE 2-10:** DC Open-Loop Gain vs. Ambient Temperature.



**FIGURE 2-8:** Input Offset Voltage vs. Common Mode Voltage with  $V_{DD} = 5.5\text{V}$ .



**FIGURE 2-11:** DC Open-Loop Gain vs. Load Resistance.



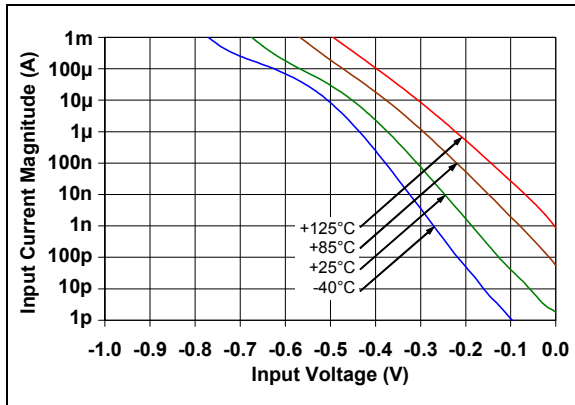
**FIGURE 2-9:** CMRR and PSRR vs. Ambient Temperature.



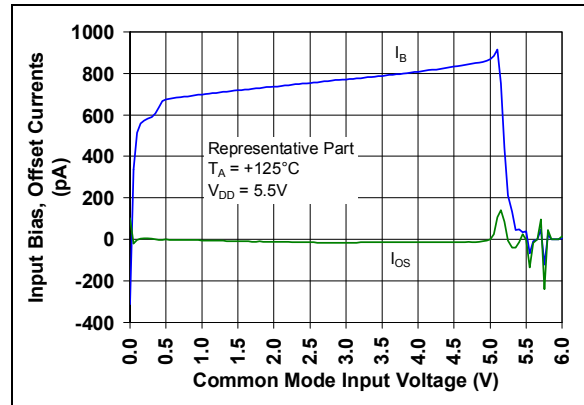
**FIGURE 2-12:** Input Bias and Offset Currents vs. Ambient Temperature with  $V_{DD} = +5.5\text{V}$ .



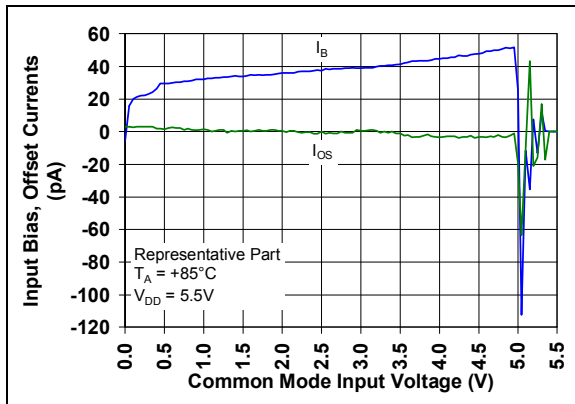
**Note:** Unless indicated,  $T_A = +25^\circ\text{C}$ ,  $V_{DD} = +2.5\text{V}$  to  $5.5\text{V}$ ,  $V_{SS} = \text{GND}$ ,  $V_{CM} = V_{DD}/3$ ,  $V_{OUT} = V_{DD}/2$ ,  $V_L = V_{DD}/2$ ,  $R_L = 1\text{ k}\Omega$  to  $V_L$ ,  $C_L = 20\text{ pF}$  and  $\overline{\text{CS}} = V_{SS}$ .



**FIGURE 2-13:** Input Bias Current vs. Input Voltage (below  $V_{SS}$ ).



**FIGURE 2-15:** Input Bias and Offset Currents vs. Common Mode Input Voltage with  $T_A = +125^\circ\text{C}$ .



**FIGURE 2-14:** Input Bias and Offset Currents vs. Common Mode Input Voltage with  $T_A = +85^\circ\text{C}$ .

# MCP660/1/2/3/4/5/9

**Note:** Unless indicated,  $T_A = +25^\circ\text{C}$ ,  $V_{DD} = +2.5\text{V}$  to  $5.5\text{V}$ ,  $V_{SS} = \text{GND}$ ,  $V_{CM} = V_{DD}/3$ ,  $V_{OUT} = V_{DD}/2$ ,  $V_L = V_{DD}/2$ ,  $R_L = 1\text{ k}\Omega$  to  $V_L$ ,  $C_L = 20\text{ pF}$  and  $CS = V_{SS}$ .

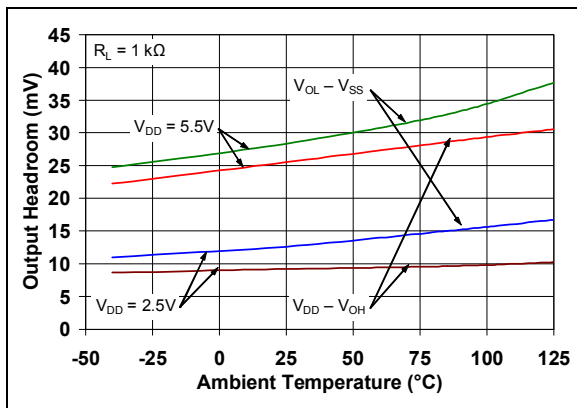
## 2.2 Other DC Voltages and Currents



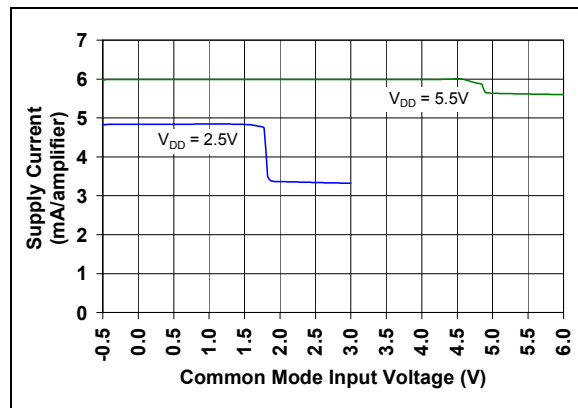
**FIGURE 2-16:** Output Voltage Headroom vs. Output Current.



**FIGURE 2-19:** Supply Current vs. Power Supply Voltage.



**FIGURE 2-17:** Output Voltage Headroom vs. Ambient Temperature.



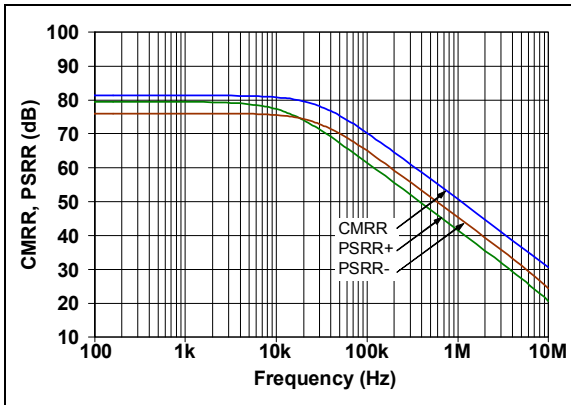
**FIGURE 2-20:** Supply Current vs. Common Mode Input Voltage.



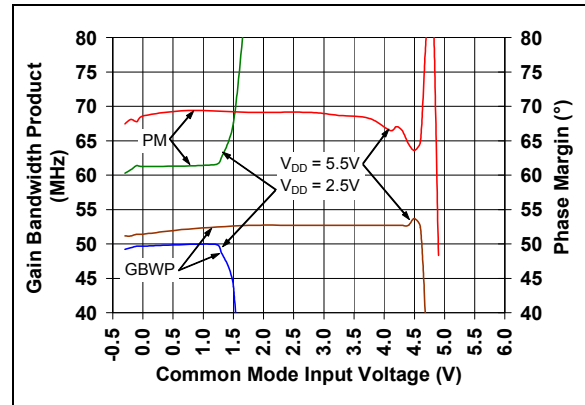
**FIGURE 2-18:** Output Short Circuit Current vs. Power Supply Voltage.

**Note:** Unless indicated,  $T_A = +25^\circ\text{C}$ ,  $V_{DD} = +2.5\text{V}$  to  $5.5\text{V}$ ,  $V_{SS} = \text{GND}$ ,  $V_{CM} = V_{DD}/3$ ,  $V_{OUT} = V_{DD}/2$ ,  $V_L = V_{DD}/2$ ,  $R_L = 1\text{ k}\Omega$  to  $V_L$ ,  $C_L = 20\text{ pF}$  and  $\overline{CS} = V_{SS}$ .

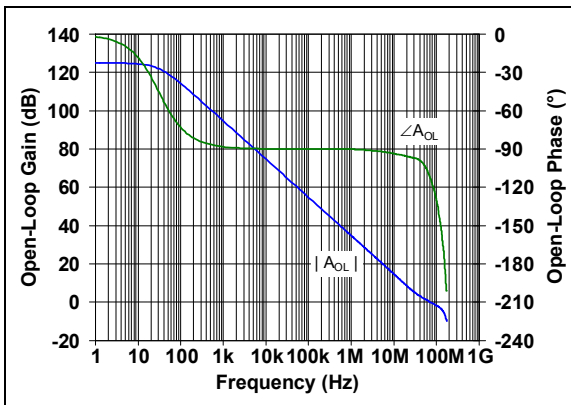
## 2.3 Frequency Response



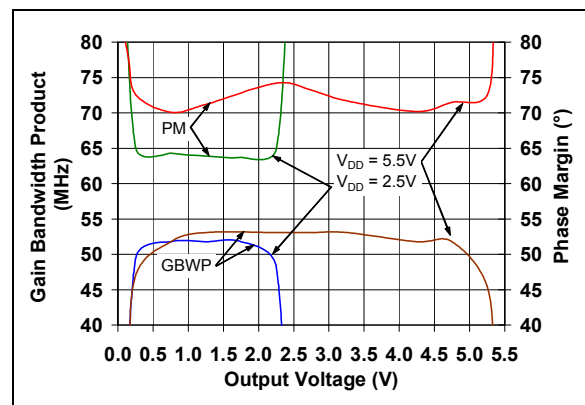
**FIGURE 2-21:** CMRR and PSRR vs. Frequency.



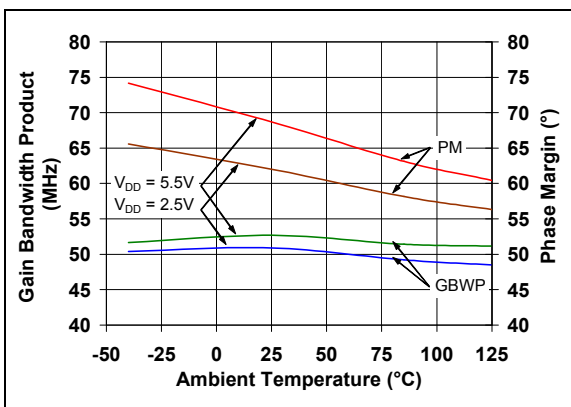
**FIGURE 2-24:** Gain Bandwidth Product and Phase Margin vs. Common Mode Input Voltage.



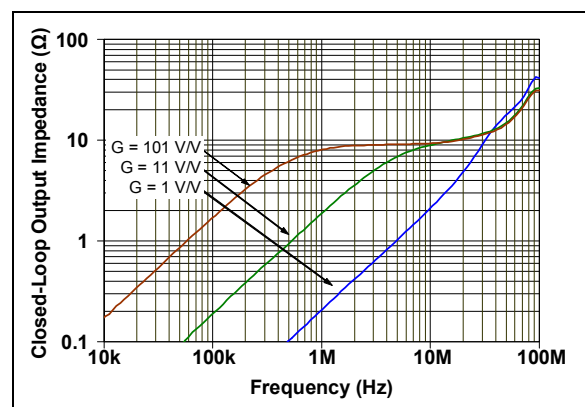
**FIGURE 2-22:** Open-Loop Gain vs. Frequency.



**FIGURE 2-25:** Gain Bandwidth Product and Phase Margin vs. Output Voltage.



**FIGURE 2-23:** Gain Bandwidth Product and Phase Margin vs. Ambient Temperature.



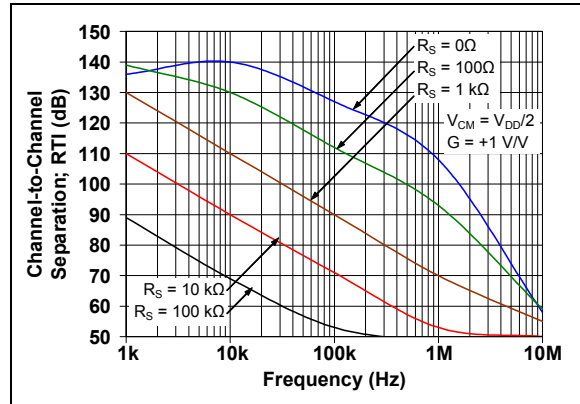
**FIGURE 2-26:** Closed-Loop Output Impedance vs. Frequency.

# MCP660/1/2/3/4/5/9

**Note:** Unless indicated,  $T_A = +25^\circ\text{C}$ ,  $V_{DD} = +2.5\text{V}$  to  $5.5\text{V}$ ,  $V_{SS} = \text{GND}$ ,  $V_{CM} = V_{DD}/3$ ,  $V_{OUT} = V_{DD}/2$ ,  $V_L = V_{DD}/2$ ,  $R_L = 1\text{ k}\Omega$  to  $V_L$ ,  $C_L = 20\text{ pF}$  and  $\overline{CS} = V_{SS}$ .



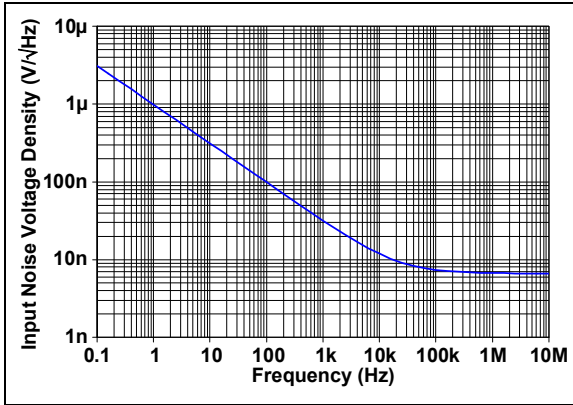
**FIGURE 2-27:** Gain Peaking vs. Normalized Capacitive Load.



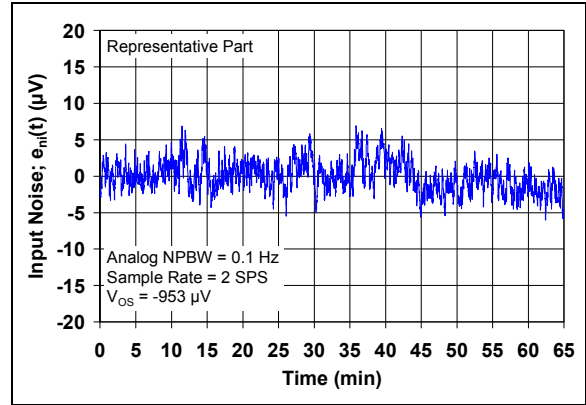
**FIGURE 2-28:** Channel-to-Channel Separation vs. Frequency.

**Note:** Unless indicated,  $T_A = +25^\circ\text{C}$ ,  $V_{DD} = +2.5\text{V}$  to  $5.5\text{V}$ ,  $V_{SS} = \text{GND}$ ,  $V_{CM} = V_{DD}/3$ ,  $V_{OUT} = V_{DD}/2$ ,  $V_L = V_{DD}/2$ ,  $R_L = 1\text{ k}\Omega$  to  $V_L$ ,  $C_L = 20\text{ pF}$  and  $CS = V_{SS}$ .

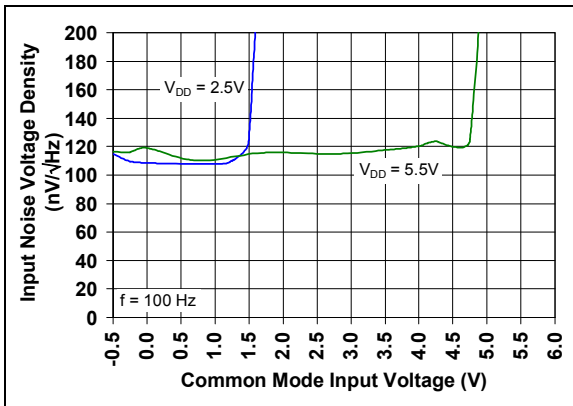
## 2.4 Noise and Distortion



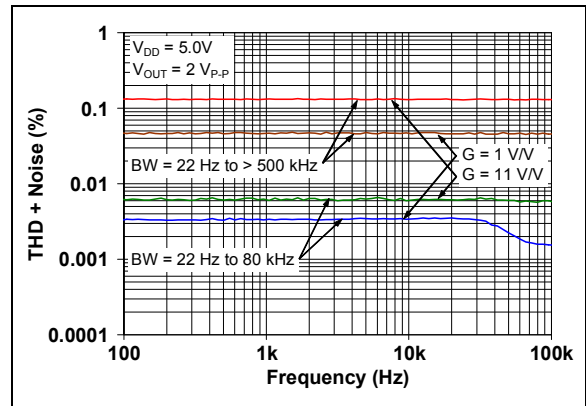
**FIGURE 2-29:** Input Noise Voltage Density vs. Frequency.



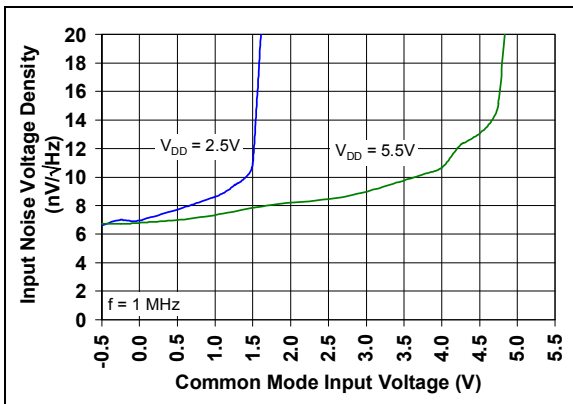
**FIGURE 2-32:** Input Noise vs. Time with 0.1 Hz Filter.



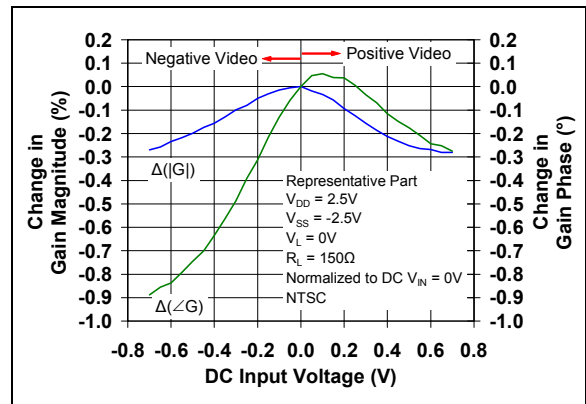
**FIGURE 2-30:** Input Noise Voltage Density vs. Input Common Mode Voltage with  $f = 100\text{ Hz}$ .



**FIGURE 2-33:** THD+N vs. Frequency.



**FIGURE 2-31:** Input Noise Voltage Density vs. Input Common Mode Voltage with  $f = 1\text{ MHz}$ .



**FIGURE 2-34:** Change in Gain Magnitude and Phase vs. DC Input Voltage.

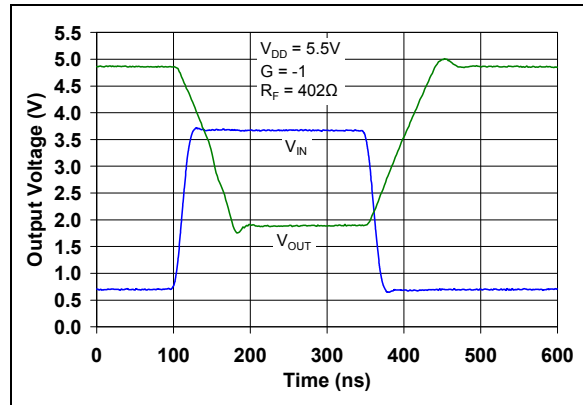
# MCP660/1/2/3/4/5/9

Note: Unless indicated,  $T_A = +25^\circ\text{C}$ ,  $V_{DD} = +2.5\text{V}$  to  $5.5\text{V}$ ,  $V_{SS} = \text{GND}$ ,  $V_{CM} = V_{DD}/3$ ,  $V_{OUT} = V_{DD}/2$ ,  $V_L = V_{DD}/2$ ,  $R_L = 1\text{ k}\Omega$  to  $V_L$ ,  $C_L = 20\text{ pF}$  and  $\overline{\text{CS}} = V_{SS}$ .

## 2.5 Time Response



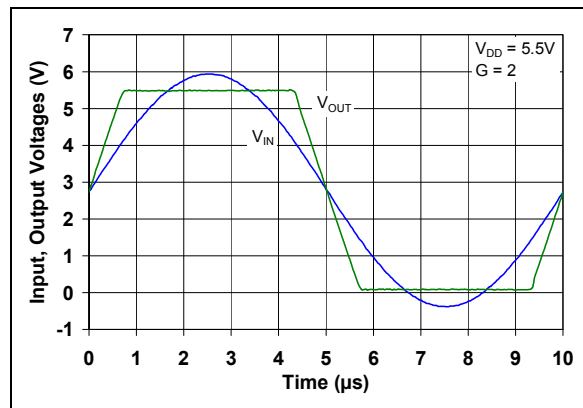
**FIGURE 2-35:** Non-inverting Small Signal Step Response.



**FIGURE 2-38:** Inverting Large Signal Step Response.



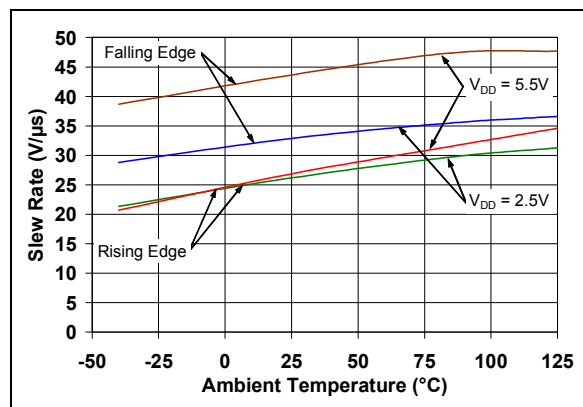
**FIGURE 2-36:** Non-inverting Large Signal Step Response.



**FIGURE 2-39:** The MCP660/1/2/3/4/5/9 family shows no input phase reversal with overdrive.

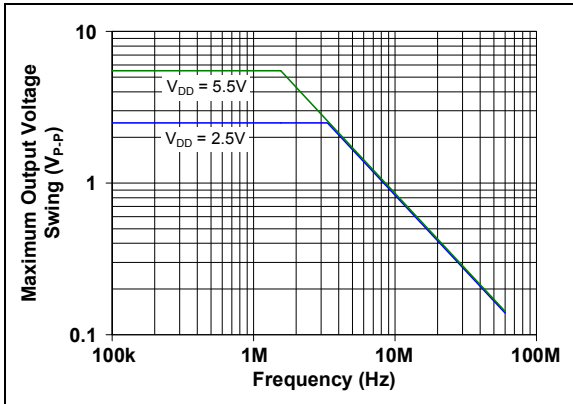


**FIGURE 2-37:** Inverting Small Signal Step Response.



**FIGURE 2-40:** Slew Rate vs. Ambient Temperature.

**Note:** Unless indicated,  $T_A = +25^\circ\text{C}$ ,  $V_{DD} = +2.5\text{V}$  to  $5.5\text{V}$ ,  $V_{SS} = \text{GND}$ ,  $V_{CM} = V_{DD}/3$ ,  $V_{OUT} = V_{DD}/2$ ,  $V_L = V_{DD}/2$ ,  $R_L = 1\text{ k}\Omega$  to  $V_L$ ,  $C_L = 20\text{ pF}$  and  $\overline{CS} = V_{SS}$ .



**FIGURE 2-41:** Maximum Output Voltage Swing vs. Frequency.

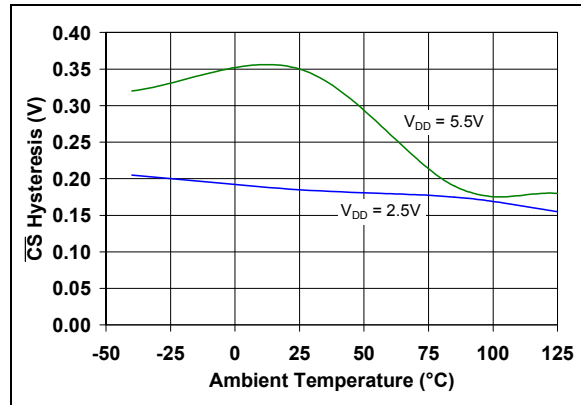
# MCP660/1/2/3/4/5/9

**Note:** Unless indicated,  $T_A = +25^\circ\text{C}$ ,  $V_{DD} = +2.5\text{V}$  to  $5.5\text{V}$ ,  $V_{SS} = \text{GND}$ ,  $V_{CM} = V_{DD}/3$ ,  $V_{OUT} = V_{DD}/2$ ,  $V_L = V_{DD}/2$ ,  $R_L = 1\text{ k}\Omega$  to  $V_L$ ,  $C_L = 20\text{ pF}$  and  $\overline{\text{CS}} = V_{SS}$ .

## 2.6 Chip Select Response



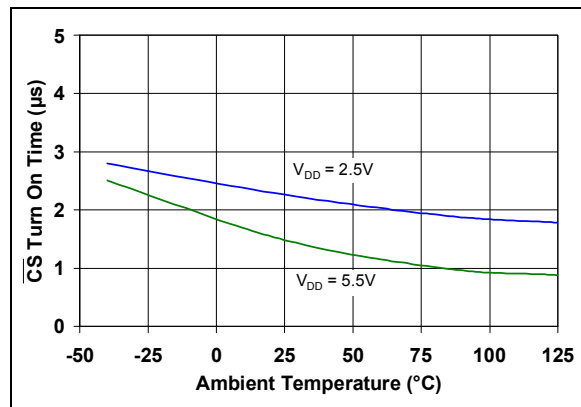
**FIGURE 2-42:**  $\overline{\text{CS}}$  Current vs. Power Supply Voltage.



**FIGURE 2-45:**  $\overline{\text{CS}}$  Hysteresis vs. Ambient Temperature.



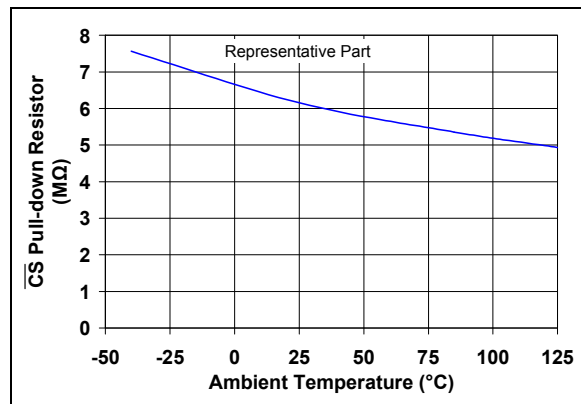
**FIGURE 2-43:**  $\overline{\text{CS}}$  and Output Voltages vs. Time with  $V_{DD} = 2.5\text{V}$ .



**FIGURE 2-46:**  $\overline{\text{CS}}$  Turn On Time vs. Ambient Temperature.



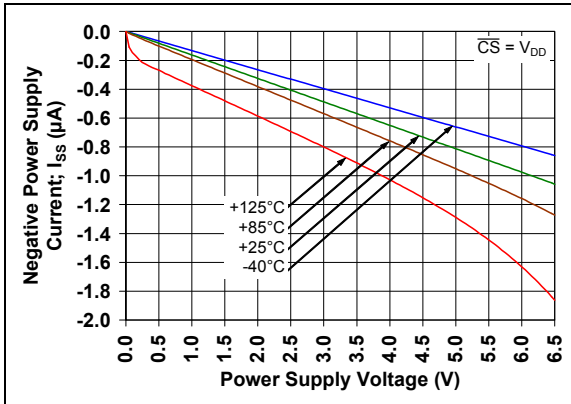
**FIGURE 2-44:**  $\overline{\text{CS}}$  and Output Voltages vs. Time with  $V_{DD} = 5.5\text{V}$ .



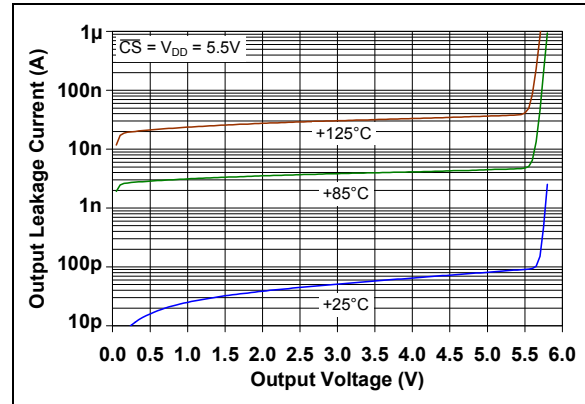
**FIGURE 2-47:**  $\overline{\text{CS}}$ 's Pull-down Resistor ( $R_{PD}$ ) vs. Ambient Temperature.



**Note:** Unless indicated,  $T_A = +25^\circ\text{C}$ ,  $V_{DD} = +2.5\text{V}$  to  $5.5\text{V}$ ,  $V_{SS} = \text{GND}$ ,  $V_{CM} = V_{DD}/3$ ,  $V_{OUT} = V_{DD}/2$ ,  $V_L = V_{DD}/2$ ,  $R_L = 1\text{ k}\Omega$  to  $V_L$ ,  $C_L = 20\text{ pF}$  and  $\overline{CS} = V_{SS}$ .



**FIGURE 2-48:** Quiescent Current in Shutdown vs. Power Supply Voltage.



**FIGURE 2-49:** Output Leakage Current vs. Output Voltage.

# MCP660/1/2/3/4/5/9

---

NOTES:

### 3.0 PIN DESCRIPTIONS

Descriptions of the pins are listed in [Table 3-1](#).

**TABLE 3-1: PIN FUNCTION TABLE**

MCP660		MCP661			MCP662		MCP663		MCP664		MCP665		MCP669	Symbol	Description
4x4 QFN	SOIC, TSSOP	SOIC	2x3 TDFN	SOT-23	MSOP, SOIC	DFN	SOIC	SOT-23	SOIC, TSSOP	MSOP	DFN	4x4 QFN			
5	6	2	2	4	2	2	2	4	2	2	2	1	$V_{IN-}, V_{INA-}$	Inverting Input (op amp A)	
4	5	3	3	3	3	3	3	3	3	3	3	2	$V_{IN+}, V_{INA+}$	Non-inverting Input (op amp A)	
3	4	7	7	5	8	8	7	6	4	10	10	3	$V_{DD}$	Positive Power Supply	
10	10	—	—	—	5	5	—	—	5	7	7	4	$V_{INB+}$	Non-inverting Input (op amp B)	
9	9	—	—	—	6	6	—	—	6	8	8	5	$V_{INB-}$	Inverting Input (op amp B)	
8	8	—	—	—	7	7	—	—	7	9	9	6	$V_{OUTB}$	Output (op amp B)	
—	—	—	—	—	—	—	—	—	—	—	—	7	$\overline{CS}_{BC}$	Chip Select Digital Input (op amps B and C)	
14	14	—	—	—	—	—	—	—	8	—	—	8	$V_{OUTC}$	Output (op amp C)	
13	13	—	—	—	—	—	—	—	9	—	—	9	$V_{INC-}$	Inverting Input (op amp C)	
12	12	—	—	—	—	—	—	—	10	—	—	10	$V_{INC+}$	Non-inverting Input (op amp C)	
11	11	4	4	2	4	4	4	2	11	4	4	11	$V_{SS}$	Negative Power Supply	
—	—	—	—	—	—	—	—	—	12	—	—	12	$V_{IND+}$	Inverting Input (op amp D)	
—	—	—	—	—	—	—	—	—	13	—	—	13	$V_{IND-}$	Inverting Input (op amp D)	
—	—	—	—	—	—	—	—	—	14	—	—	14	$V_{OUTD}$	Output (op amp D)	
—	—	—	—	—	—	—	—	—	—	—	—	15	$\overline{CS}_{AD}$	Chip Select Digital Input (op amps A and D)	
6	7	6	6	1	1	1	6	1	1	1	1	16	$V_{OUT}, V_{OUTA}$	Output (op amp A)	
17	—	—	—	—	—	9	—	—	—	—	11	17	EP	Exposed Thermal Pad (EP); must be connected to $V_{SS}$	
—	—	—	—	—	—	—	8	5	—	5	5	—	$\overline{CS}, \overline{CS}_A$	Chip Select Digital Input (op amp A)	
—	—	—	—	—	—	—	—	—	—	6	6	—	$\overline{CS}_B$	Chip Select Digital Input (op amp B)	
1, 2, 7, 15, 16	1, 2, 3	1, 5, 8	1,2	—	—	—	1, 5	—	—	—	—	—	NC	No Internal Connection	

# MCP660/1/2/3/4/5/9

---

## 3.1 Analog Outputs

The analog output pins ( $V_{OUT}$ ) are low-impedance voltage sources.

## 3.2 Analog Inputs

The non-inverting and inverting inputs ( $V_{IN+}$ ,  $V_{IN-}$ , ...) are high-impedance CMOS inputs with low bias currents.

## 3.3 Power Supply Pins

The positive power supply ( $V_{DD}$ ) is 2.5V to 5.5V higher than the negative power supply ( $V_{SS}$ ). For normal operation, the other pins are between  $V_{SS}$  and  $V_{DD}$ .

Typically, these parts are used in a single (positive) supply configuration. In that case,  $V_{SS}$  is connected to ground and  $V_{DD}$  is connected to the supply.  $V_{DD}$  will need bypass capacitors.

## 3.4 Chip Select Digital Input ( $\overline{CS}$ )

The input ( $\overline{CS}$ ) is a CMOS, Schmitt-triggered input that places the part into a Low Power mode of operation.

## 3.5 Exposed Thermal Pad (EP)

There is an internal connection between the exposed thermal pad (EP) and the  $V_{SS}$  pin; they must be connected to the same potential on the printed circuit board (PCB).

This pad can be connected to a PCB ground plane to provide a larger heat sink. This improves the package thermal resistance ( $\theta_{JA}$ ).

## 4.0 APPLICATIONS

The MCP660/1/2/3/4/5/9 family is manufactured using the Microchip state-of-the-art CMOS process. It is designed for low-cost, low-power and high-speed applications. Its low supply voltage, low quiescent current and wide bandwidth make the MCP660/1/2/3/4/5/9 ideal for battery-powered applications.

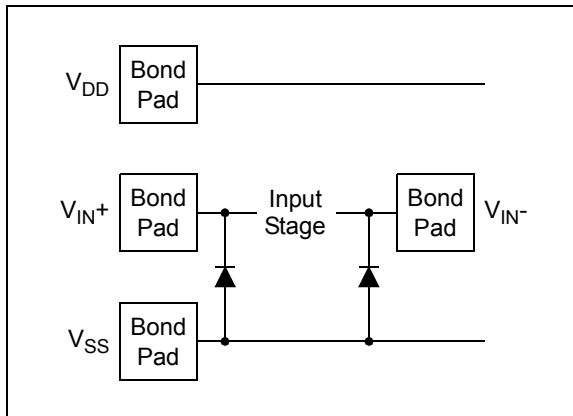
### 4.1 Input

#### 4.1.1 PHASE REVERSAL

The input devices are designed to not exhibit phase inversion when the input pins exceed the supply voltages. Figure 2-39 shows an input voltage exceeding both supplies with no phase inversion.

#### 4.1.2 INPUT VOLTAGE AND CURRENT LIMITS

The electrostatic discharge (ESD) protection on the inputs can be depicted as shown in Figure 4-1. This structure was chosen to protect the input transistors, and to minimize input bias current ( $I_B$ ). The input ESD diodes clamp the inputs when they try to go more than one diode drop below  $V_{SS}$ . They also clamp any voltages that go too far above  $V_{DD}$ ; their breakdown voltage is high enough to allow normal operation, and low enough to bypass quick ESD events within the specified limits.

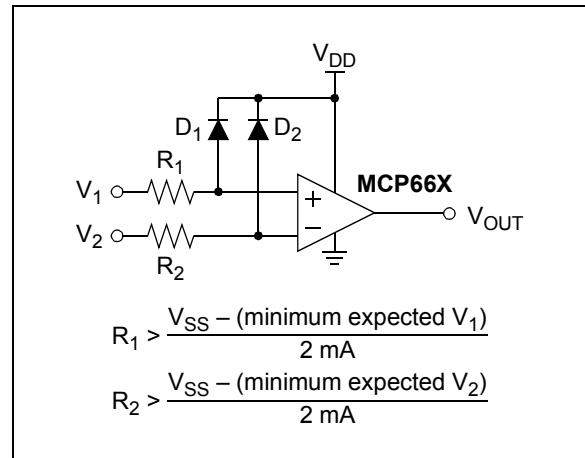


**FIGURE 4-1:** Simplified Analog Input ESD Structures.

In order to prevent damage and/or improper operation of these amplifiers, the circuit must limit the currents (and voltages) at the input pins (see Section 1.1 “Absolute Maximum Ratings”). Figure 4-2 shows the recommended approach to protecting these inputs.

The internal ESD diodes prevent the input pins ( $V_{IN+}$  and  $V_{IN-}$ ) from going too far below ground, and the resistors  $R_1$  and  $R_2$  limit the possible current drawn out of the input pins. Diodes  $D_1$  and  $D_2$  prevent the input pins ( $V_{IN+}$  and  $V_{IN-}$ ) from going too far above  $V_{DD}$ , and dump any currents onto  $V_{DD}$ .

When implemented as shown, resistors  $R_1$  and  $R_2$  also limit the current through  $D_1$  and  $D_2$ .



**FIGURE 4-2:** Protecting the Analog Inputs.

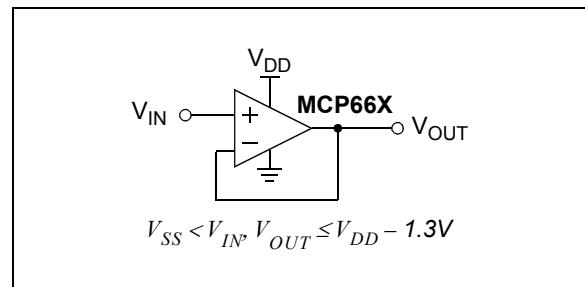
It is also possible to connect the diodes to the left of the resistors  $R_1$  and  $R_2$ . If they are, the currents through the diodes  $D_1$  and  $D_2$  need to be limited by some other mechanism. The resistors then serve as in-rush current limiters; the DC current into the input pins ( $V_{IN+}$  and  $V_{IN-}$ ) should be very small.

A significant amount of current can flow out of the inputs (through the ESD diodes) when the Common mode voltage ( $V_{CM}$ ) is below ground ( $V_{SS}$ ); see Figure 2-13. Applications that are high impedance may need to limit the usable voltage range.

#### 4.1.3 NORMAL OPERATION

The input stage of the MCP660/1/2/3/4/5/9 op amps uses a differential PMOS input stage. It operates at low Common mode input voltages ( $V_{CM}$ ), with  $V_{CM}$  between  $V_{SS} - 0.3V$  and  $V_{DD} - 1.3V$ . To ensure proper operation, the input offset voltage ( $V_{OS}$ ) is measured at both  $V_{CM} = V_{SS} - 0.3V$  and  $V_{DD} - 1.3V$ . See Figure 2-5 and Figure 2-6 for temperature effects.

When operating at very low non-inverting gains, the output voltage is limited at the top by the  $V_{CM}$  range ( $<V_{DD} - 1.3V$ ); see Figure 4-3.



**FIGURE 4-3:** Unity Gain Voltage Limitations for Linear Operation.

# MCP660/1/2/3/4/5/9

## 4.2 Rail-to-Rail Output

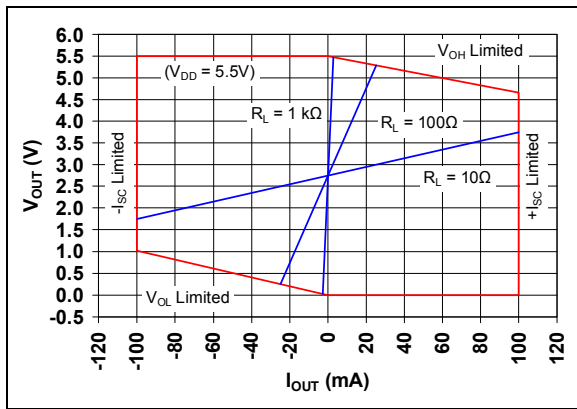
### 4.2.1 MAXIMUM OUTPUT VOLTAGE

The Maximum Output Voltage (see [Figure 2-16](#) and [Figure 2-17](#)) describes the output range for a given load. For example, the output voltage swings to within 50 mV of the negative rail with a 1 kΩ load tied to  $V_{DD}/2$ .

### 4.2.2 OUTPUT CURRENT

[Figure 4-4](#) shows the possible combinations of output voltage ( $V_{OUT}$ ) and output current ( $I_{OUT}$ ), when  $V_{DD} = 5.5V$ .

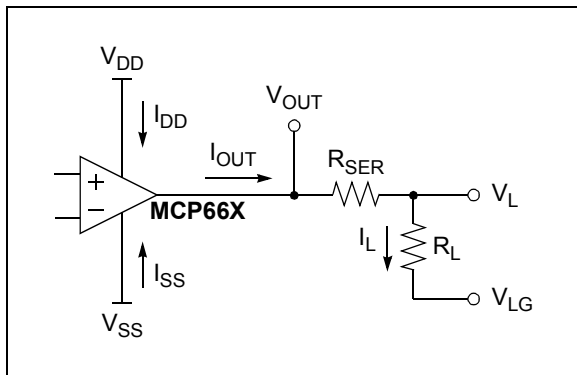
$I_{OUT}$  is positive when it flows out of the op amp into the external circuit.



**FIGURE 4-4:** Output Current.

### 4.2.3 POWER DISSIPATION

Since the output short circuit current ( $I_{SC}$ ) is specified at  $\pm 90$  mA (typical), these op amps are capable of both delivering and dissipating significant power.



**FIGURE 4-5:** Diagram for Power Calculations.

[Figure 4-5](#) shows the power calculations used for a single op amp:

- $R_{SER}$  is  $0\Omega$  in most applications, and can be used to limit  $I_{OUT}$ .
- $V_{OUT}$  is the op amp's output voltage.
- $V_L$  is the voltage at the load.
- $V_{LG}$  is the load's ground point.
- $V_{SS}$  is usually ground (0V).

The input currents are assumed to be negligible. The currents shown in [Figure 4-5](#) can be approximated using [Equation 4-1](#):

#### EQUATION 4-1:

$$I_{OUT} = I_L = \frac{V_{OUT} - V_{LG}}{R_{SER} + R_L}$$

$$I_{DD} \approx I_Q + \max(0, I_{OUT})$$

$$I_{SS} \approx -I_Q + \min(0, I_{OUT})$$

Where:

$I_Q$  = quiescent supply current

The instantaneous op amp power ( $P_{OA}(t)$ ),  $R_{SER}$  power ( $P_{RSER}(t)$ ) and load power ( $P_L(t)$ ) are calculated in [Equation 4-2](#):

#### EQUATION 4-2:

$$P_{OA}(t) = I_{DD} (V_{DD} - V_{OUT}) + I_{SS} (V_{SS} - V_{OUT})$$

$$P_{RSER}(t) = I_{OUT}^2 R_{SER}$$

$$P_L(t) = I_L^2 R_L$$

The maximum op amp power, for resistive loads, occurs when  $V_{OUT}$  is halfway between  $V_{DD}$  and  $V_{LG}$  or halfway between  $V_{SS}$  and  $V_{LG}$ .

#### EQUATION 4-3:

$$P_{OAm} \leq \frac{\max^2(V_{DD} - V_{LG} - V_{SS})}{4(R_{SER} + R_L)}$$

The maximum ambient to junction temperature rise ( $\Delta T_{JA}$ ) and junction temperature ( $T_J$ ) can be calculated using  $P_{OAm}$ , ambient temperature ( $T_A$ ), the package thermal resistance ( $\theta_{JA}$  – found in [Table 1-4](#)), and the number of op amps in the package (assuming equal power dissipations), as shown in [Equation 4-4](#):

#### EQUATION 4-4:

$$\Delta T_{JA} = P_{OA}(t) \theta_{JA} \leq n P_{OAm} \theta_{JA}$$

$$T_J = T_A + \Delta T_{JA}$$

Where:

$n$  = number of op amps in package (1, 2)

The power derating across temperature for an op amp in a particular package can be easily calculated (assuming equal power dissipations):

**EQUATION 4-5:**

$$P_{OAm\max} \leq \frac{T_{J\max} - T_A}{n \theta_{JA}}$$

Where:  
 $T_{J\max}$  = absolute max. junction temperature

Several techniques are available to reduce  $\Delta T_{JA}$  for a given  $P_{OAm\max}$ :

- Lower  $\theta_{JA}$ 
  - Use another package
  - PCB layout (ground plane, etc.)
  - Heat sinks and air flow
- Reduce  $P_{OAm\max}$ 
  - Increase  $R_L$
  - Limit  $I_{OUT}$  (using  $R_{SER}$ )
  - Decrease  $V_{DD}$

**4.3 Distortion**

Differential gain (DG) and differential phase (DP) refer to the non-linear distortion produced by an NTSC or a phase-alternating line (PAL) video component. Table 1-2 and Figure 2-34 show the typical performance of the MCP661, configured as a gain of +2 amplifier (see Figure 4-10), when driving one back-matched video load (150Ω, for 75Ω cable). Microchip tests use a sine wave at NTSC's color sub-carrier frequency of 3.58 MHz, with a 0.286V<sub>P-P</sub> magnitude. The DC input voltage is changed over a +0.7V range (positive video) or a -0.7V range (negative video).

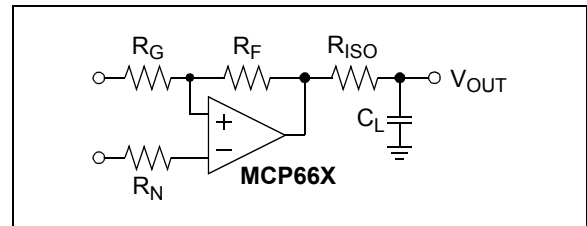
DG is the peak-to-peak change in the AC gain magnitude (color hue), as the DC level (luminance) is changed, in percentile units (%). DP is the peak-to-peak change in the AC gain phase (color saturation), as the DC level (luminance) is changed, in degree (°) units.

**4.4 Improving Stability**

**4.4.1 CAPACITIVE LOADS**

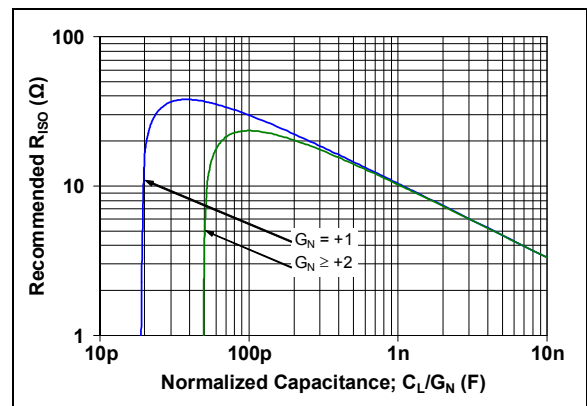
Driving large capacitive loads can cause stability problems for voltage feedback op amps. As the load capacitance increases, the phase margin (stability) of the feedback loop decreases and the closed-loop bandwidth is reduced. This produces gain peaking in the frequency response, with overshoot and ringing in the step response. A unity gain buffer (G = +1) is the most sensitive to capacitive loads, though all gains show the same general behavior.

When driving large capacitive loads with these op amps (e.g., >20 pF when G = +1), a small series resistor at the output ( $R_{ISO}$  in Figure 4-6) improves the phase margin of the feedback loop by making the output load resistive at higher frequencies. The bandwidth generally will be lower than bandwidth without the capacitive load.



**FIGURE 4-6:** Output Resistor,  $R_{ISO}$  Stabilizes Large Capacitive Loads.

Figure 4-7 gives recommended  $R_{ISO}$  values for different capacitive loads and gains. The x-axis is the normalized load capacitance ( $C_L/G_N$ ), where  $G_N$  is the circuit's noise gain. For non-inverting gains,  $G_N$  and the Signal Gain are equal. For inverting gains,  $G_N$  is 1+|Signal Gain| (e.g., -1 V/V gives  $G_N = +2$  V/V).



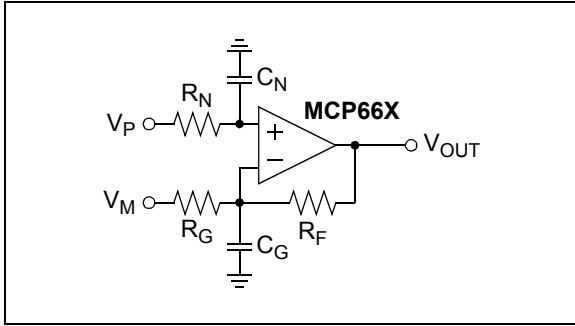
**FIGURE 4-7:** Recommended  $R_{ISO}$  Values for Capacitive Loads.

After selecting  $R_{ISO}$  for the circuit, double-check the resulting frequency response peaking and step response overshoot. Modify the value of  $R_{ISO}$  until the response is reasonable. Bench evaluation and simulations with the MCP660/1/2/3/4/5/9 SPICE macro model are helpful.

# MCP660/1/2/3/4/5/9

## 4.4.2 GAIN PEAKING

Figure 4-8 shows an op amp circuit that represents non-inverting amplifiers ( $V_M$  is a DC voltage and  $V_P$  is the input) or inverting amplifiers ( $V_P$  is a DC voltage and  $V_M$  is the input). The capacitances  $C_N$  and  $C_G$  represent the total capacitance at the input pins; they include the op amp's Common mode input capacitance ( $C_{CM}$ ), board parasitic capacitance and any capacitor placed in parallel.

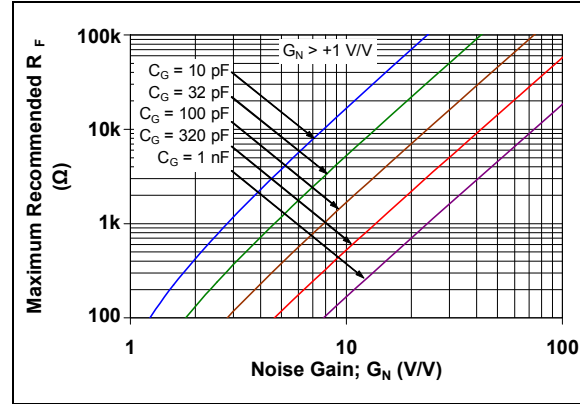


**FIGURE 4-8:** Amplifier with Parasitic Capacitance.

$C_G$  acts in parallel with  $R_G$  (except for a gain of +1 V/V), which causes an increase in gain at high frequencies.  $C_G$  also reduces the phase margin of the feedback loop, which becomes less stable. This effect can be reduced by either reducing  $C_G$  or  $R_F$ .

$C_N$  and  $R_N$  form a low-pass filter that affects the signal at  $V_P$ . This filter has a single real pole at  $1/(2\pi R_N C_N)$ .

The largest value of  $R_F$  that should be used, depends on noise gain (see  $G_N$  in Section 4.4.1 “Capacitive Loads”),  $C_G$  and the open-loop gain's phase shift. Figure 4-9 shows the maximum recommended  $R_F$  for several  $C_G$  values. Some applications may modify these values to reduce either output loading or gain peaking (step response overshoot).



**FIGURE 4-9:** Maximum Recommended  $R_F$  vs. Gain.

Figure 2-35 and Figure 2-36 show the small signal and large signal step responses at  $G = +1$  V/V. The unity gain buffer usually has  $R_F = 0\Omega$  and  $R_G$  open.

Figure 2-37 and Figure 2-38 show the small signal and large signal step responses at  $G = -1$  V/V. Since the noise gain is 2 V/V and  $C_G \approx 10$  pF, the resistors were chosen to be  $R_F = R_G = 401\Omega$  and  $R_N = 200\Omega$ .

It is also possible to add a capacitor ( $C_F$ ) in parallel with  $R_F$  to compensate for the destabilizing effect of  $C_G$ . This makes it possible to use larger values of  $R_F$ . The conditions for stability are summarized in Equation 4-6.

### EQUATION 4-6:

Given:

$$G_{N1} = 1 + R_F/R_G$$

$$G_{N2} = 1 + C_G/C_F$$

$$f_F = 1/(2\pi R_F C_F)$$

$$f_Z = f_F(G_{N1}/G_{N2})$$

We need:

$$f_F \leq f_{GBWP}/(2G_{N2}), \quad G_{N1} < G_{N2}$$

$$f_F \leq f_{GBWP}/(4G_{N1}), \quad G_{N1} > G_{N2}$$



## 4.5 MCP663 and MCP665 Chip Select

The MCP663 is a single amplifier with Chip Select ( $\overline{CS}$ ). When  $\overline{CS}$  is pulled high, the supply current drops to 1  $\mu\text{A}$  (typical) and flows through the  $\overline{CS}$  pin to  $V_{SS}$ . When this happens, the amplifier output is put into a high-impedance state. By pulling  $\overline{CS}$  low, the amplifier is enabled. The  $\overline{CS}$  pin has an internal 5  $\text{M}\Omega$  (typical) pull-down resistor connected to  $V_{SS}$ , so it will go low if the  $\overline{CS}$  pin is left floating. Figure 1-1, Figure 2-43 and Figure 2-44 show the output voltage and supply current response to a  $\overline{CS}$  pulse.

The MCP665 is a dual amplifier with two  $\overline{CS}$  pins;  $\overline{CSA}$  controls op amp A, and  $\overline{CSB}$  controls op amp B. These op amps are controlled independently, with an enabled quiescent current ( $I_Q$ ) of 6 mA/amplifier (typical) and a disabled  $I_Q$  of 1  $\mu\text{A}$ /amplifier (typical). The  $I_Q$  seen at the supply pins is the sum of the two op amps'  $I_Q$ ; the typical value for the  $I_Q$  of the MCP665 will be 2  $\mu\text{A}$ , 6 mA or 12 mA when there are 0, 1 or 2 amplifiers enabled, respectively.

## 4.6 Power Supply

With this family of operational amplifiers, the power supply pin ( $V_{DD}$  for single supply) should have a local bypass capacitor (i.e., 0.01  $\mu\text{F}$  to 0.1  $\mu\text{F}$ ) within 2 mm for good high frequency performance. Surface mount, multilayer ceramic capacitors, or their equivalent, should be used.

These op amps require a bulk capacitor (i.e., 2.2  $\mu\text{F}$  or larger) within 50 mm to provide large, slow currents. Tantalum capacitors, or their equivalent, may be a good choice. This bulk capacitor can be shared with other nearby analog parts as long as crosstalk through the power supplies does not prove to be a problem.

## 4.7 High Speed PCB Layout

These op amps are fast enough that a little extra care in the printed circuit board (PCB) layout can make a significant difference in performance. Good PCB layout techniques will help you achieve the performance shown in the specifications and typical performance curves; it will also help to minimize electromagnetic compatibility (EMC) issues.

Use a solid ground plane. Connect the bypass local capacitor(s) to this plane with minimal length traces. This cuts down inductive and capacitive crosstalk.

Separate digital from analog, low speed from high speed, and low power from high power. This will reduce interference.

Keep sensitive traces short and straight. Separate them from interfering components and traces. This is especially important for high frequency (low rise time) signals.

Sometimes, it helps to place guard traces next to victim traces. They should be on both sides of the victim trace, and as close as possible. Connect guard traces to ground plane at both ends, and in the middle for long traces.

Use coax cables, or low inductance wiring, to route signal and power to and from the PCB. Mutual and self inductance of power wires is often a cause of crosstalk and unusual behavior.

# MCP660/1/2/3/4/5/9

## 4.8 Typical Applications

### 4.8.1 50Ω LINE DRIVER

Figure 4-10 shows the MCP661 driving a 50Ω line. The large output current (e.g., see Figure 2-18) makes it possible to drive a back-matched line ( $R_{M2}$ , the 50Ω line and the 50Ω load at the far end) to more than ±2V (the load at the far end sees ±1V). It is worth mentioning that the 50Ω line and the 50Ω load at the far end together can be modeled as a simple 50Ω resistor to ground.

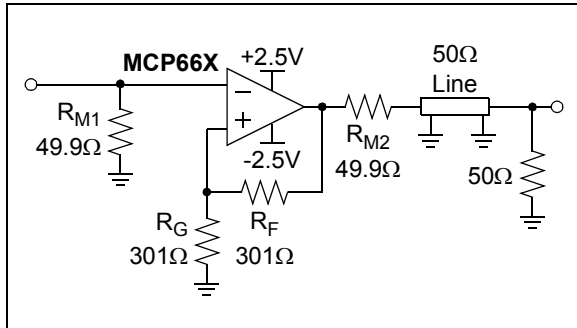


FIGURE 4-10: 50Ω Line Driver.

The output headroom limits would be  $V_{OL} = -2.3V$  and  $V_{OH} = +2.3V$  (see Figure 2-16), leaving some design room for the ±2V signal. The open-loop gain ( $A_{OL}$ ) typically does not decrease significantly with a 100Ω load (see Figure 2-11). The maximum power dissipated is about 48 mW (see Section 4.2.3 “Power Dissipation”), so the temperature rise (for the MCP661 in the SOIC-8 package) is under 8°C.

### 4.8.2 OPTICAL DETECTOR AMPLIFIER

Figure 4-11 shows a transimpedance amplifier, using the MCP661 op amp, in a photo detector circuit. The photo detector is a capacitive current source.  $R_F$  provides enough gain to produce 10 mV at  $V_{OUT}$ .  $C_F$  stabilizes the gain and limits the transimpedance bandwidth to about 1.1 MHz. The parasitic capacitance of  $R_F$  (e.g., 0.2 pF for a 0805 SMD) acts in parallel with  $C_F$ .

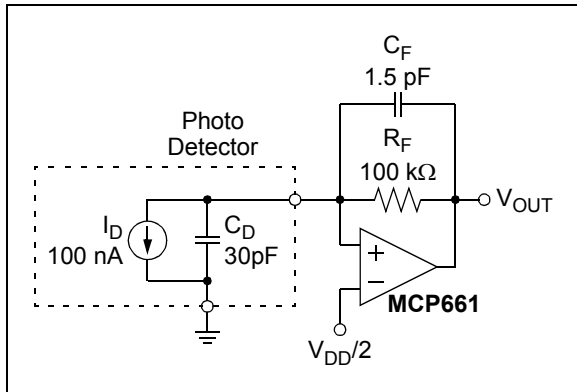


FIGURE 4-11: Transimpedance Amplifier for an Optical Detector.

### 4.8.3 H-BRIDGE DRIVER

Figure 4-12 shows the MCP662 dual op amp used as an H-bridge driver. The load could be a speaker or a DC motor.



FIGURE 4-12: H-Bridge Driver.

This circuit automatically makes the noise gains ( $G_N$ ) equal, when the gains are set properly, so that the frequency responses match well (in magnitude and in phase). Equation 4-7 shows how to calculate  $R_{GT}$  and  $R_{GB}$  so that both op amps have the same DC gains;  $G_{DM}$  needs to be selected first.

#### EQUATION 4-7:

$$G_{DM} \equiv \frac{V_{OT} - V_{OB}}{V_{IN} - V_{DD}/2} \geq 1 \text{ V/V}$$

$$R_{GT} = \frac{R_F}{(G_{DM}/2) - 1}$$

$$R_{GB} = \frac{R_F}{G_{DM}/2}$$

Equation 4-8 gives the resulting Common mode and Differential mode output voltages.

#### EQUATION 4-8:

$$\frac{V_{OT} + V_{OB}}{2} = \frac{V_{DD}}{2}$$

$$V_{OT} - V_{OB} = G_{DM} \left( V_{IN} - \frac{V_{DD}}{2} \right)$$

## 5.0 DESIGN AIDS

Microchip provides the basic design aids needed for the MCP660/1/2/3/4/5/9 family of op amps.

### 5.1 SPICE Macro Model

The latest SPICE macro model for the MCP660/1/2/3/4/5/9 op amps is available on the Microchip web site at [www.microchip.com](http://www.microchip.com). This model is intended to be an initial design tool that works well in the linear region of operation over the temperature range of the op amp. See the model file for information on its capabilities.

Bench testing is a very important part of any design and cannot be replaced with simulations. Also, simulation results using this macro model need to be validated, by comparing them to the data sheet specifications and characteristic curves.

### 5.2 FilterLab<sup>®</sup> Software

Microchip's FilterLab<sup>®</sup> software is an innovative software tool that simplifies analog active filter (using op amps) design. Available at no cost from the Microchip web site at [www.microchip.com/filterlab](http://www.microchip.com/filterlab), the Filter-Lab design tool provides full schematic diagrams of the filter circuit with component values. It also outputs the filter circuit in SPICE format, which can be used with the macro model to simulate actual filter performance.

### 5.3 Microchip Advanced Part Selector (MAPS)

MAPS is a software tool that helps efficiently identify Microchip devices that fit a particular design requirement. Available at no cost from the Microchip web site at [www.microchip.com/maps](http://www.microchip.com/maps), the MAPS is an overall selection tool for Microchip's product portfolio that includes Analog, Memory, MCUs and DSCs. Using this tool, a filter can be defined to sort features for a parametric search of device, and export side-by-side technical comparison reports. Helpful links are also provided for data sheets, purchase and sampling of Microchip parts.

## 5.4 Analog Demonstration and Evaluation Boards

Microchip offers a broad spectrum of analog demonstration and evaluation boards that are designed to help customers achieve faster time to market. For a complete listing of these boards and their corresponding user's guides and technical information, visit the Microchip web site at [www.microchip.com/analogtools](http://www.microchip.com/analogtools).

Some boards that are especially useful are:

- **MCP6XXX Amplifier Evaluation Board 1**, part number: MCP6XXXEV-AMP1
- **MCP6XXX Amplifier Evaluation Board 2**, part number: MCP6XXXEV-AMP2
- **MCP6XXX Amplifier Evaluation Board 3**, part number: MCP6XXXEV-AMP3
- **MCP6XXX Amplifier Evaluation Board 4**, part number: MCP6XXXEV-AMP3
- **Active Filter Demo Board Kit**, part number: MCP6XXXDM-FLTR
- **8-Pin SOIC/MSOP/TSSOP/DIP Evaluation Board**, part number: SOIC8EV
- **MCP661 Line Driver Demo Board**, part number: MCP661DM-LD

## 5.5 Design and Application Notes

The following Microchip Analog Design Note and Application Notes are recommended as supplemental reference resources. They are available on the Microchip web site at [www.microchip.com/appnotes](http://www.microchip.com/appnotes).

- **ADN003**: "Select the Right Operational Amplifier for your Filtering Circuits", DS21821
- **AN722**: "Operational Amplifier Topologies and DC Specifications", DS00722
- **AN723**: "Operational Amplifier AC Specifications and Applications", DS00723
- **AN884**: "Driving Capacitive Loads With Op Amps", DS00884
- **AN990**: "Analog Sensor Conditioning Circuits – An Overview", DS00990
- **AN1228**: "Op Amp Precision Design: Random Noise", DS01228

Some of these application notes, and others, are listed in the "Signal Chain Design Guide", DS21825.

# MCP660/1/2/3/4/5/9

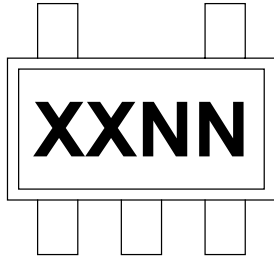
---

NOTES:

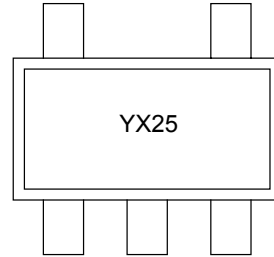
## 6.0 PACKAGING INFORMATION

### 6.1 Package Marking Information

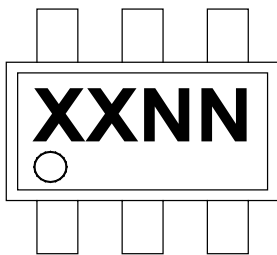
5-Lead SOT-23(MCP661)



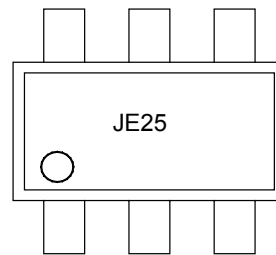
Example



6-Lead SOT-23 (MCP663)



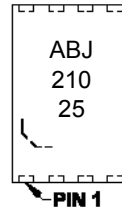
Example



8-Lead TDFN (2 x 3)(MCP661)



Example:



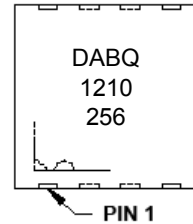
8-Lead DFN (3x3)(MCP662)



Device	Code
MCP662T-E/MF	DABQ

**Note:** Applies to 8-Lead 3x3 DFN

Example



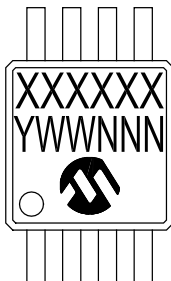
<b>Legend:</b>	XX...X	Customer-specific information
	Y	Year code (last digit of calendar year)
	YY	Year code (last 2 digits of calendar year)
	WW	Week code (week of January 1 is week '01')
	NNN	Alphanumeric traceability code
	(e3)	Pb-free JEDEC designator for Matte Tin (Sn)
	*	This package is Pb-free. The Pb-free JEDEC designator (e3) can be found on the outer packaging for this package.

**Note:** In the event the full Microchip part number cannot be marked on one line, it will be carried over to the next line, thus limiting the number of available characters for customer-specific information.

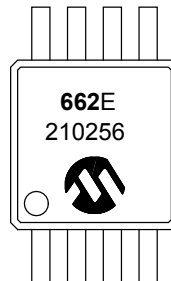
# MCP660/1/2/3/4/5/9

## Package Marking Information (Continued)

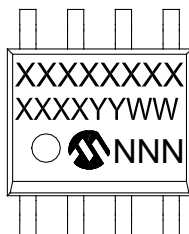
8-Lead MSOP (3x3 mm) (MCP662)



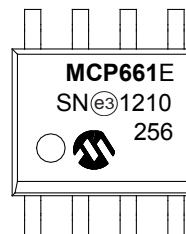
Example:



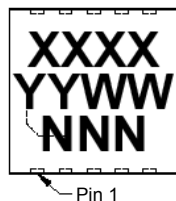
8-Lead SOIC (150 mil) (MCP661, MCP662, MCP663)



Example:



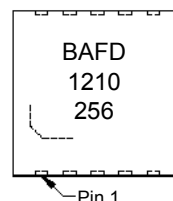
10-Lead DFN (3x3) (MCP665)



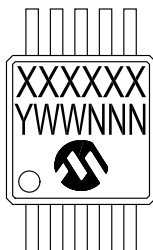
Device	Code
MCP665	BAFD

Note: Applies to 10-Lead 3x3 DFN

Example



10-Lead MSOP (MCP665)



Example:

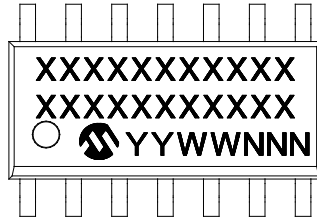


**Legend:** XX...X Customer-specific information  
 Y Year code (last digit of calendar year)  
 YY Year code (last 2 digits of calendar year)  
 WW Week code (week of January 1 is week '01')  
 NNN Alphanumeric traceability code  
 (e3) Pb-free JEDEC designator for Matte Tin (Sn)  
 \* This package is Pb-free. The Pb-free JEDEC designator (e3) can be found on the outer packaging for this package.

**Note:** In the event the full Microchip part number cannot be marked on one line, it will be carried over to the next line, thus limiting the number of available characters for customer-specific information.

## Package Marking Information (Continued)

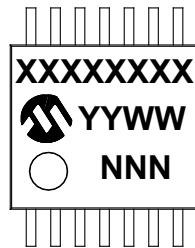
14-Lead SOIC (.150") (MCP660, MCP664)



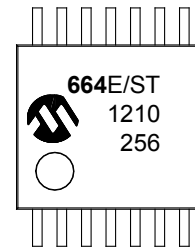
Example



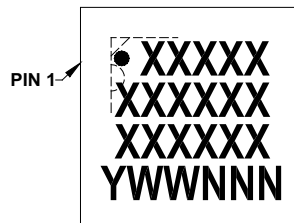
14-Lead TSSOP (MCP660, MCP664)



Example



16-Lead QFN (4x4) (MCP669)



Example



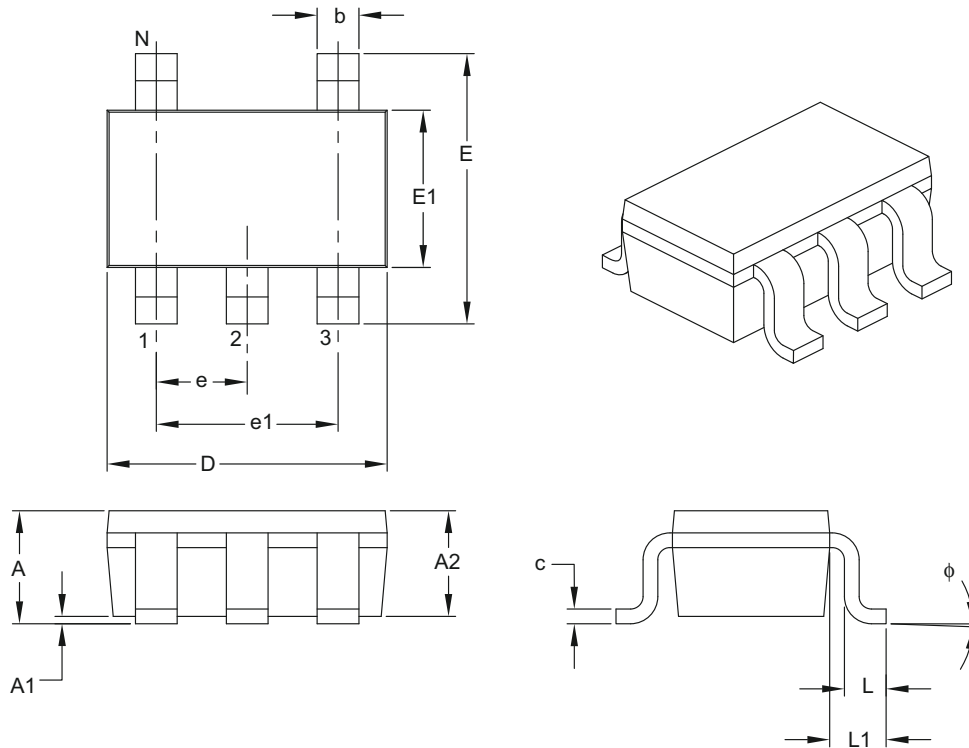
<b>Legend:</b>	XX...X	Customer-specific information
	Y	Year code (last digit of calendar year)
	YY	Year code (last 2 digits of calendar year)
	WW	Week code (week of January 1 is week '01')
	NNN	Alphanumeric traceability code
	(e3)	Pb-free JEDEC designator for Matte Tin (Sn)
	*	This package is Pb-free. The Pb-free JEDEC designator (e3) can be found on the outer packaging for this package.

**Note:** In the event the full Microchip part number cannot be marked on one line, it will be carried over to the next line, thus limiting the number of available characters for customer-specific information.

# MCP660/1/2/3/4/5/9

## 5-Lead Plastic Small Outline Transistor (OT) [SOT-23]

**Note:** For the most current package drawings, please see the Microchip Packaging Specification located at <http://www.microchip.com/packaging>



		Units	MILLIMETERS		
Dimension Limits			MIN	NOM	MAX
Number of Pins	N		5		
Lead Pitch	e		0.95 BSC		
Outside Lead Pitch	e1		1.90 BSC		
Overall Height	A	0.90	–		1.45
Molded Package Thickness	A2	0.89	–		1.30
Standoff	A1	0.00	–		0.15
Overall Width	E	2.20	–		3.20
Molded Package Width	E1	1.30	–		1.80
Overall Length	D	2.70	–		3.10
Foot Length	L	0.10	–		0.60
Footprint	L1	0.35	–		0.80
Foot Angle	$\phi$	0°	–		30°
Lead Thickness	c	0.08	–		0.26
Lead Width	b	0.20	–		0.51

**Notes:**

- Dimensions D and E1 do not include mold flash or protrusions. Mold flash or protrusions shall not exceed 0.127 mm per side.
- Dimensioning and tolerancing per ASME Y14.5M.

BSC: Basic Dimension. Theoretically exact value shown without tolerances.

Microchip Technology Drawing C04-091B



## 5-Lead Plastic Small Outline Transistor (OT) [SOT-23]

**Note:** For the most current package drawings, please see the Microchip Packaging Specification located at <http://www.microchip.com/packaging>



Dimension Limits	Units	MILLIMETERS		
		MIN	NOM	MAX
Contact Pitch	E	0.95 BSC		
Contact Pad Spacing	C		2.80	
Contact Pad Width (X5)	X			0.60
Contact Pad Length (X5)	Y			1.10
Distance Between Pads	G	1.70		
Distance Between Pads	GX	0.35		
Overall Width	Z			3.90

**Notes:**

1. Dimensioning and tolerancing per ASME Y14.5M

BSC: Basic Dimension. Theoretically exact value shown without tolerances.

Microchip Technology Drawing No. C04-2091A

# MCP660/1/2/3/4/5/9

## 6-Lead Plastic Small Outline Transistor (CHY) [SOT-23]

**Note:** For the most current package drawings, please see the Microchip Packaging Specification located at <http://www.microchip.com/packaging>



Dimension Limits	Units	MILLIMETERS		
		MIN	NOM	MAX
Number of Pins	N	6		
Pitch	e	0.95 BSC		
Outside Lead Pitch	e1	1.90 BSC		
Overall Height	A	0.90	–	1.45
Molded Package Thickness	A2	0.89	–	1.30
Standoff	A1	0.00	–	0.15
Overall Width	E	2.20	–	3.20
Molded Package Width	E1	1.30	–	1.80
Overall Length	D	2.70	–	3.10
Foot Length	L	0.10	–	0.60
Footprint	L1	0.35	–	0.80
Foot Angle	$\phi$	0°	–	30°
Lead Thickness	c	0.08	–	0.26
Lead Width	b	0.20	–	0.51

**Notes:**

- Dimensions D and E1 do not include mold flash or protrusions. Mold flash or protrusions shall not exceed 0.127 mm per side.
- Dimensioning and tolerancing per ASME Y14.5M.

BSC: Basic Dimension. Theoretically exact value shown without tolerances.

Microchip Technology Drawing C04-028B

## 6-Lead Plastic Small Outline Transistor (CHY) [SOT-23]

**Note:** For the most current package drawings, please see the Microchip Packaging Specification located at <http://www.microchip.com/packaging>



Dimension Limits	Units	MILLIMETERS		
		MIN	NOM	MAX
Contact Pitch	E	0.95 BSC		
Contact Pad Spacing	C		2.80	
Contact Pad Width (X6)	X			0.60
Contact Pad Length (X6)	Y			1.10
Distance Between Pads	G	1.70		
Distance Between Pads	GX	0.35		
Overall Width	Z			3.90

**Notes:**

1. Dimensioning and tolerancing per ASME Y14.5M

BSC: Basic Dimension. Theoretically exact value shown without tolerances.

Microchip Technology Drawing No. C04-2028A

# MCP660/1/2/3/4/5/9

## 8-Lead Plastic Dual Flat, No Lead Package (MF) - 3x3x0.9mm Body [DFN]

**Note:** For the most current package drawings, please see the Microchip Packaging Specification located at <http://www.microchip.com/packaging>

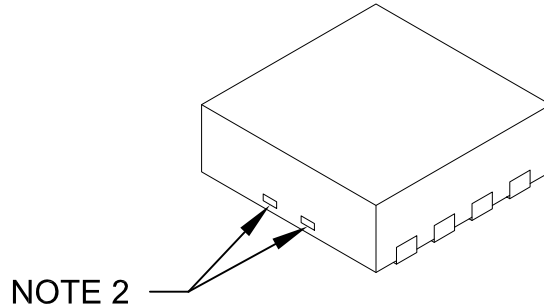


Microchip Technology Drawing No. C04-062C Sheet 1 of 2

# MCP660/1/2/3/4/5/9

## 8-Lead Plastic Dual Flat, No Lead Package (MF) - 3x3x0.9mm Body [DFN]

**Note:** For the most current package drawings, please see the Microchip Packaging Specification located at <http://www.microchip.com/packaging>



Units		MILLIMETERS		
Dimension Limits		MIN	NOM	MAX
Number of Pins	N	8		
Pitch	e	0.65 BSC		
Overall Height	A	0.80	0.90	1.00
Standoff	A1	0.00	0.02	0.05
Contact Thickness	A3	0.20 REF		
Overall Length	D	3.00 BSC		
Exposed Pad Width	E2	1.34	-	1.60
Overall Width	E	3.00 BSC		
Exposed Pad Length	D2	1.60	-	2.40
Contact Width	b	0.25	0.30	0.35
Contact Length	L	0.20	0.30	0.55
Contact-to-Exposed Pad	K	0.20	-	-

**Notes:**

1. Pin 1 visual index feature may vary, but must be located within the hatched area.
2. Package may have one or more exposed tie bars at ends.
3. Package is saw singulated
4. Dimensioning and tolerancing per ASME Y14.5M

BSC: Basic Dimension. Theoretically exact value shown without tolerances.

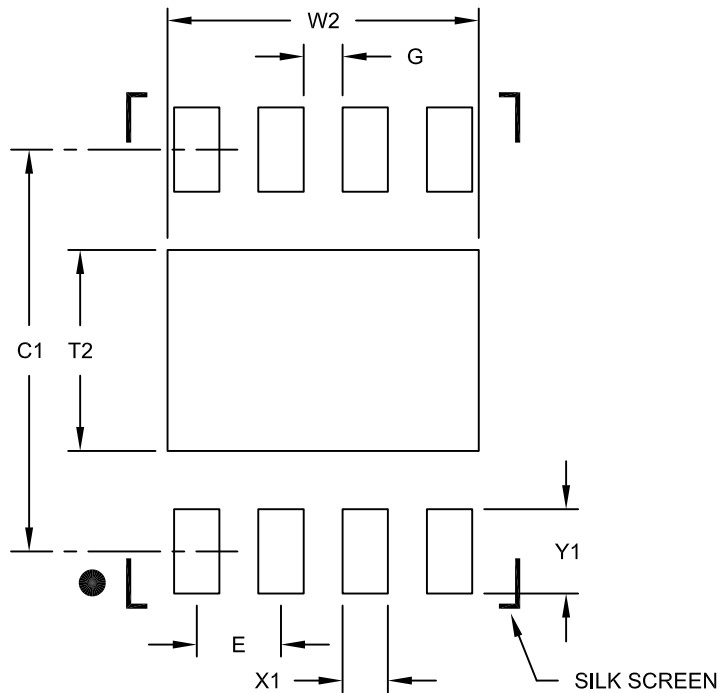
REF: Reference Dimension, usually without tolerance, for information purposes only.

Microchip Technology Drawing No. C04-062C Sheet 2 of 2

# MCP660/1/2/3/4/5/9

## 8-Lead Plastic Dual Flat, No Lead Package (MF) - 3x3x0.9mm Body [DFN]

**Note:** For the most current package drawings, please see the Microchip Packaging Specification located at <http://www.microchip.com/packaging>



RECOMMENDED LAND PATTERN

Dimension Limits	Units	MILLIMETERS		
		MIN	NOM	MAX
Contact Pitch	E	0.65 BSC		
Optional Center Pad Width	W2			2.40
Optional Center Pad Length	T2			1.55
Contact Pad Spacing	C1		3.10	
Contact Pad Width (X8)	X1			0.35
Contact Pad Length (X8)	Y1			0.65
Distance Between Pads	G	0.30		

**Notes:**

1. Dimensioning and tolerancing per ASME Y14.5M

BSC: Basic Dimension. Theoretically exact value shown without tolerances.

Microchip Technology Drawing No. C04-2062B

## 8-Lead Plastic Micro Small Outline Package (MS) [MSOP]

**Note:** For the most current package drawings, please see the Microchip Packaging Specification located at <http://www.microchip.com/packaging>



Microchip Technology Drawing C04-111C Sheet 1 of 2

# MCP660/1/2/3/4/5/9

## 8-Lead Plastic Micro Small Outline Package (MS) [MSOP]

**Note:** For the most current package drawings, please see the Microchip Packaging Specification located at <http://www.microchip.com/packaging>



Dimension Limits	Units	MILLIMETERS		
		MIN	NOM	MAX
Number of Pins	N		8	
Pitch	e	0.65 BSC		
Overall Height	A	-	-	1.10
Molded Package Thickness	A2	0.75	0.85	0.95
Standoff	A1	0.00	-	0.15
Overall Width	E	4.90 BSC		
Molded Package Width	E1	3.00 BSC		
Overall Length	D	3.00 BSC		
Foot Length	L	0.40	0.60	0.80
Footprint	L1	0.95 REF		
Foot Angle	φ	0°	-	8°
Lead Thickness	c	0.08	-	0.23
Lead Width	b	0.22	-	0.40

**Notes:**

- Pin 1 visual index feature may vary, but must be located within the hatched area.
- Dimensions D and E1 do not include mold flash or protrusions. Mold flash or protrusions shall not exceed 0.15mm per side.
- Dimensioning and tolerancing per ASME Y14.5M.  
 BSC: Basic Dimension. Theoretically exact value shown without tolerances.  
 REF: Reference Dimension, usually without tolerance, for information purposes only.

Microchip Technology Drawing C04-111C Sheet 2 of 2



# MCP660/1/2/3/4/5/9

## 8-Lead Plastic Micro Small Outline Package (MS) [MSOP]

**Note:** For the most current package drawings, please see the Microchip Packaging Specification located at <http://www.microchip.com/packaging>



RECOMMENDED LAND PATTERN

Dimension Limits	Units	MILLIMETERS		
		MIN	NOM	MAX
Contact Pitch	E	0.65 BSC		
Contact Pad Spacing	C		4.40	
Overall Width	Z			5.85
Contact Pad Width (X8)	X1			0.45
Contact Pad Length (X8)	Y1			1.45
Distance Between Pads	G1	2.95		
Distance Between Pads	GX	0.20		

**Notes:**

1. Dimensioning and tolerancing per ASME Y14.5M

BSC: Basic Dimension. Theoretically exact value shown without tolerances.

Microchip Technology Drawing No. C04-2111A

# MCP660/1/2/3/4/5/9

## 8-Lead Plastic Small Outline (SN) - Narrow, 3.90 mm Body [SOIC]

**Note:** For the most current package drawings, please see the Microchip Packaging Specification located at <http://www.microchip.com/packaging>



Microchip Technology Drawing No. C04-057C Sheet 1 of 2

## 8-Lead Plastic Small Outline (SN) - Narrow, 3.90 mm Body [SOIC]

**Note:** For the most current package drawings, please see the Microchip Packaging Specification located at <http://www.microchip.com/packaging>



Dimension Limits	Units	MILLIMETERS		
		MIN	NOM	MAX
Number of Pins	N	8		
Pitch	e	1.27 BSC		
Overall Height	A	-	-	1.75
Molded Package Thickness	A2	1.25	-	-
Standoff §	A1	0.10	-	0.25
Overall Width	E	6.00 BSC		
Molded Package Width	E1	3.90 BSC		
Overall Length	D	4.90 BSC		
Chamfer (Optional)	h	0.25	-	0.50
Foot Length	L	0.40	-	1.27
Footprint	L1	1.04 REF		
Foot Angle	$\varphi$	0°	-	8°
Lead Thickness	c	0.17	-	0.25
Lead Width	b	0.31	-	0.51
Mold Draft Angle Top	$\alpha$	5°	-	15°
Mold Draft Angle Bottom	$\beta$	5°	-	15°

**Notes:**

- Pin 1 visual index feature may vary, but must be located within the hatched area.
- § Significant Characteristic
- Dimensions D and E1 do not include mold flash or protrusions. Mold flash or protrusions shall not exceed 0.15mm per side.
- Dimensioning and tolerancing per ASME Y14.5M

BSC: Basic Dimension. Theoretically exact value shown without tolerances.

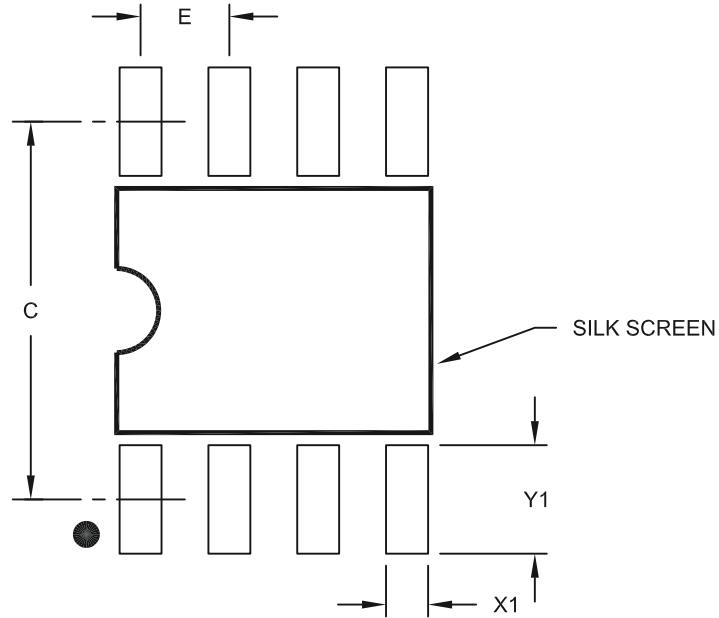
REF: Reference Dimension, usually without tolerance, for information purposes only.

Microchip Technology Drawing No. C04-057C Sheet 2 of 2

# MCP660/1/2/3/4/5/9

## 8-Lead Plastic Small Outline (SN) – Narrow, 3.90 mm Body [SOIC]

**Note:** For the most current package drawings, please see the Microchip Packaging Specification located at <http://www.microchip.com/packaging>



RECOMMENDED LAND PATTERN

Dimension Limits	Units	MILLIMETERS		
		MIN	NOM	MAX
Contact Pitch	E	1.27 BSC		
Contact Pad Spacing	C		5.40	
Contact Pad Width (X8)	X1			0.60
Contact Pad Length (X8)	Y1			1.55

Notes:

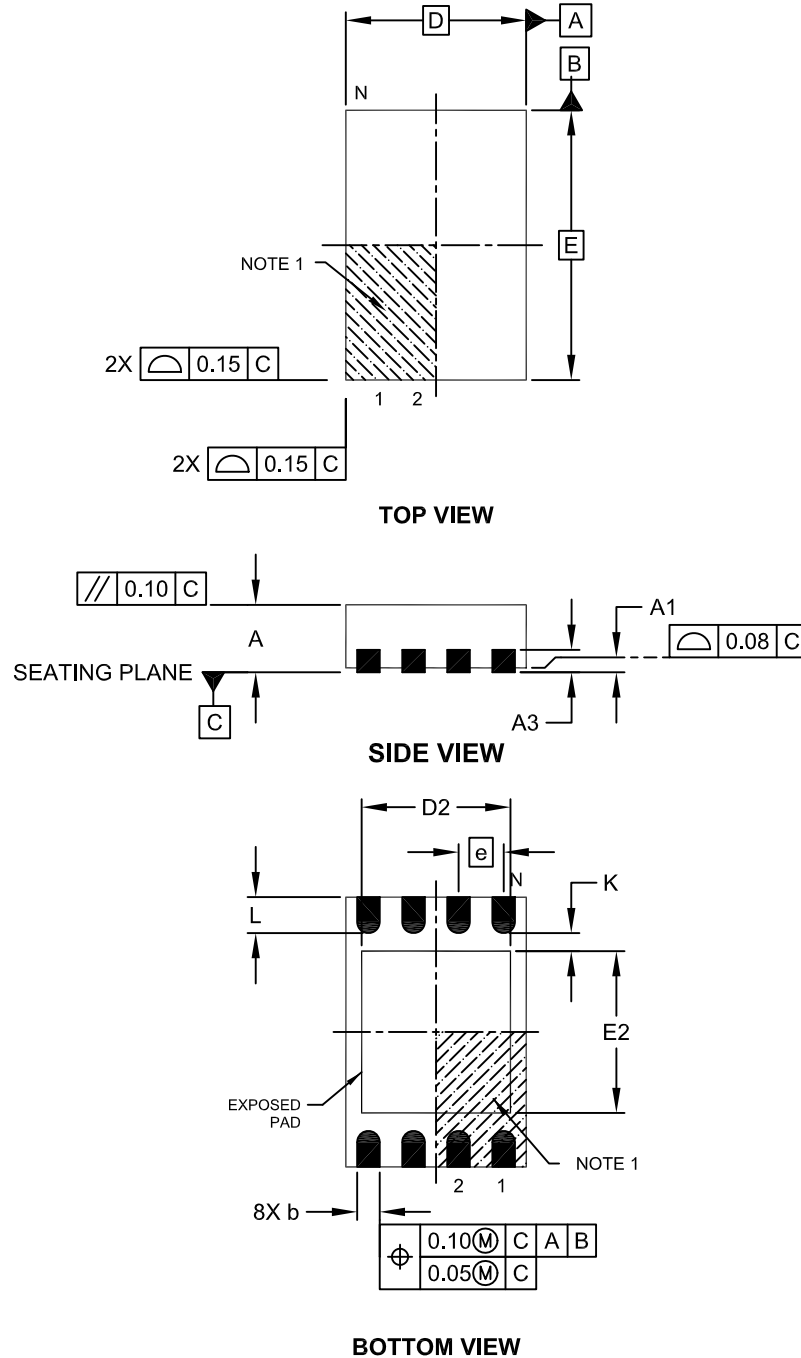
1. Dimensioning and tolerancing per ASME Y14.5M

BSC: Basic Dimension. Theoretically exact value shown without tolerances.

Microchip Technology Drawing No. C04-2057A

## 8-Lead Plastic Dual Flat, No Lead Package (MN) – 2x3x0.75mm Body [TDFN]

**Note:** For the most current package drawings, please see the Microchip Packaging Specification located at <http://www.microchip.com/packaging>



Microchip Technology Drawing No. C04-129C Sheet 1 of 2

# MCP660/1/2/3/4/5/9

## 8-Lead Plastic Dual Flat, No Lead Package (MN) – 2x3x0.75mm Body [TDFN]

**Note:** For the most current package drawings, please see the Microchip Packaging Specification located at <http://www.microchip.com/packaging>



		Units	MILLIMETERS		
Dimension Limits			MIN	NOM	MAX
Number of Pins	N		8		
Pitch	e		0.50 BSC		
Overall Height	A		0.70	0.75	0.80
Standoff	A1		0.00	0.02	0.05
Contact Thickness	A3		0.20 REF		
Overall Length	D		2.00 BSC		
Overall Width	E		3.00 BSC		
Exposed Pad Length	D2		1.20	-	1.60
Exposed Pad Width	E2		1.20	-	1.60
Contact Width	b		0.20	0.25	0.30
Contact Length	L		0.25	0.30	0.45
Contact-to-Exposed Pad	K		0.20	-	-

### Notes:

1. Pin 1 visual index feature may vary, but must be located within the hatched area.
2. Package may have one or more exposed tie bars at ends.
3. Package is saw singulated
4. Dimensioning and tolerancing per ASME Y14.5M

BSC: Basic Dimension. Theoretically exact value shown without tolerances.

REF: Reference Dimension, usually without tolerance, for information purposes only.

Microchip Technology Drawing No. C04-129C Sheet 2 of 2

## 8-Lead Plastic Dual Flat, No Lead Package (MN) – 2x3x0.75 mm Body [TDFN]

**Note:** For the most current package drawings, please see the Microchip Packaging Specification located at <http://www.microchip.com/packaging>



RECOMMENDED LAND PATTERN

Dimension Limits	Units	MILLIMETERS		
		MIN	NOM	MAX
Contact Pitch	E	0.50 BSC		
Optional Center Pad Width	W2			1.46
Optional Center Pad Length	T2			1.36
Contact Pad Spacing	C1		3.00	
Contact Pad Width (X8)	X1			0.30
Contact Pad Length (X8)	Y1			0.75
Distance Between Pads	G	0.20		

**Notes:**

1. Dimensioning and tolerancing per ASME Y14.5M

BSC: Basic Dimension. Theoretically exact value shown without tolerances.

Microchip Technology Drawing No. C04-2129A

# MCP660/1/2/3/4/5/9

## 10-Lead Plastic Dual Flat, No Lead Package (MF) - 3x3x0.9mm Body [DFN]

**Note:** For the most current package drawings, please see the Microchip Packaging Specification located at <http://www.microchip.com/packaging>



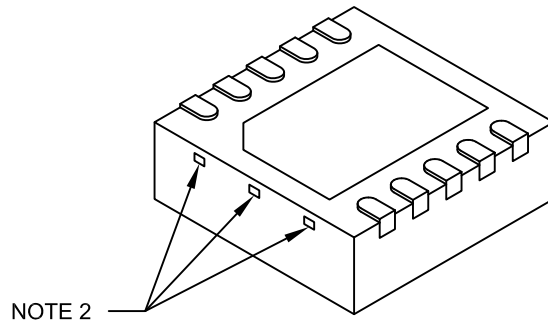
Microchip Technology Drawing No. C04-063C Sheet 1 of 2



# MCP660/1/2/3/4/5/9

## 10-Lead Plastic Dual Flat, No Lead Package (MF) - 3x3x0.9mm Body [DFN]

**Note:** For the most current package drawings, please see the Microchip Packaging Specification located at <http://www.microchip.com/packaging>



Dimension Limits	Units	MILLIMETERS		
		MIN	NOM	MAX
Number of Pins	N	10		
Pitch	e	0.50 BSC		
Overall Height	A	0.80	0.90	1.00
Standoff	A1	0.00	0.02	0.05
Contact Thickness	A3	0.20 REF		
Overall Length	D	3.00 BSC		
Exposed Pad Length	D2	2.15	2.35	2.45
Overall Width	E	3.00 BSC		
Exposed Pad Width	E2	1.40	1.50	1.75
Contact Width	b	0.18	0.25	0.30
Contact Length	L	0.30	0.40	0.50
Contact-to-Exposed Pad	K	0.20	-	-

### Notes:

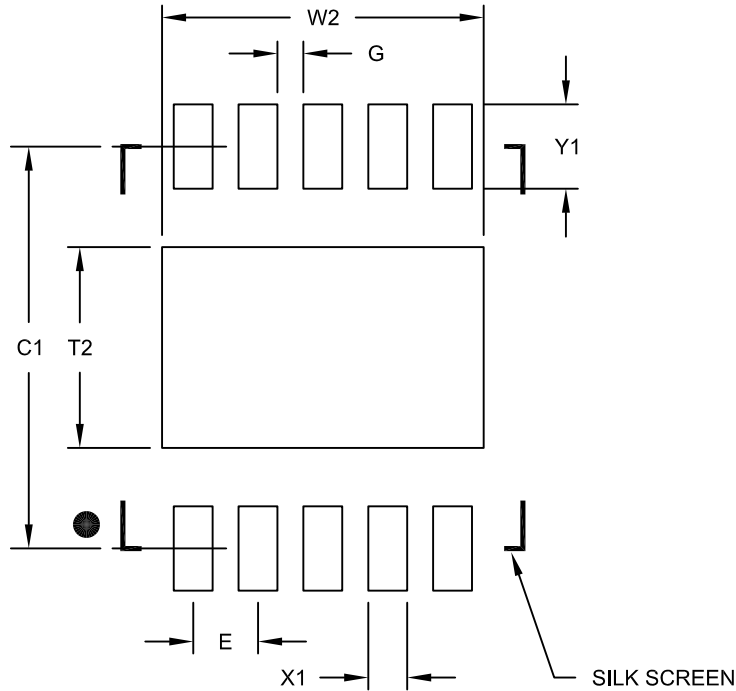
1. Pin 1 visual index feature may vary, but must be located within the hatched area.
2. Package may have one or more exposed tie bars at ends.
3. Package is saw singulated.
4. Dimensioning and tolerancing per ASME Y14.5M.  
BSC: Basic Dimension. Theoretically exact value shown without tolerances.  
REF: Reference Dimension, usually without tolerance, for information purposes only.

Microchip Technology Drawing No. C04-063C Sheet 2 of 2

# MCP660/1/2/3/4/5/9

## 10-Lead Plastic Dual Flat, No Lead Package (MF) - 3x3x0.9mm Body [DFN]

**Note:** For the most current package drawings, please see the Microchip Packaging Specification located at <http://www.microchip.com/packaging>



RECOMMENDED LAND PATTERN

Dimension Limits	Units	MILLIMETERS		
		MIN	NOM	MAX
Contact Pitch	E	0.50 BSC		
Optional Center Pad Width	W2			2.48
Optional Center Pad Length	T2			1.55
Contact Pad Spacing	C1		3.10	
Contact Pad Width (X10)	X1			0.30
Contact Pad Length (X10)	Y1			0.65
Distance Between Pads	G	0.20		

Notes:

1. Dimensioning and tolerancing per ASME Y14.5M

BSC: Basic Dimension. Theoretically exact value shown without tolerances.

Microchip Technology Drawing No. C04-2063B

# MCP660/1/2/3/4/5/9

## 10-Lead Plastic Micro Small Outline Package (UN) [MSOP]

**Note:** For the most current package drawings, please see the Microchip Packaging Specification located at <http://www.microchip.com/packaging>

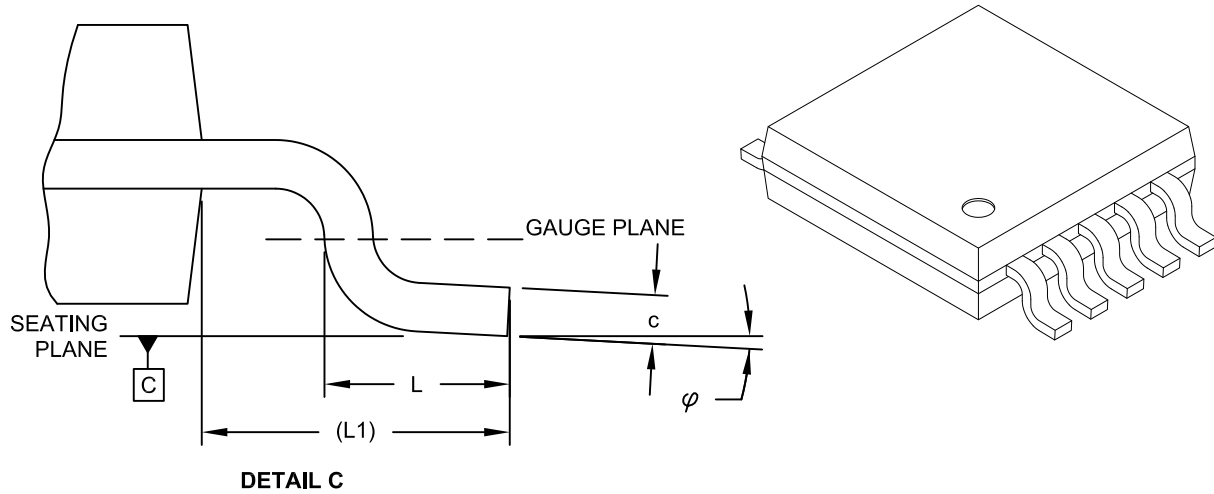


Microchip Technology Drawing C04-021C Sheet 1 of 2

# MCP660/1/2/3/4/5/9

## 10-Lead Plastic Micro Small Outline Package (UN) [MSOP]

**Note:** For the most current package drawings, please see the Microchip Packaging Specification located at <http://www.microchip.com/packaging>



Dimension Limits	Units	MILLIMETERS		
		MIN	NOM	MAX
Number of Pins	N	10		
Pitch	e	0.50 BSC		
Overall Height	A	-	-	1.10
Molded Package Thickness	A2	0.75	0.85	0.95
Standoff	A1	0.00	-	0.15
Overall Width	E	4.90 BSC		
Molded Package Width	E1	3.00 BSC		
Overall Length	D	3.00 BSC		
Foot Length	L	0.40	0.60	0.80
Footprint	L1	0.95 REF		
Foot Angle	φ	0°	-	8°
Lead Thickness	c	0.08	-	0.23
Lead Width	b	0.15	-	0.33

**Notes:**

- Pin 1 visual index feature may vary, but must be located within the hatched area.
- Dimensions D and E1 do not include mold flash or protrusions. Mold flash or protrusions shall not exceed 0.15mm per side.
- Dimensioning and tolerancing per ASME Y14.5M.

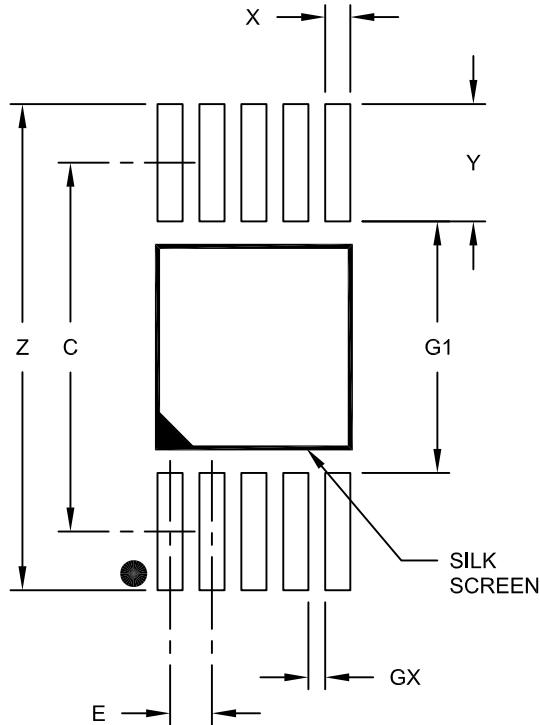
BSC: Basic Dimension. Theoretically exact value shown without tolerances.

REF: Reference Dimension, usually without tolerance, for information purposes only.

Microchip Technology Drawing C04-021C Sheet 2 of 2

## 10-Lead Plastic Micro Small Outline Package (UN) [MSOP]

**Note:** For the most current package drawings, please see the Microchip Packaging Specification located at <http://www.microchip.com/packaging>



RECOMMENDED LAND PATTERN

Dimension Limits	Units	MILLIMETERS		
		MIN	NOM	MAX
Contact Pitch	E	0.50 BSC		
Contact Pad Spacing	C		4.40	
Overall Width	Z			5.80
Contact Pad Width (X10)	X1			0.30
Contact Pad Length (X10)	Y1			1.40
Distance Between Pads	G1	3.00		
Distance Between Pads	GX	0.20		

**Notes:**

1. Dimensioning and tolerancing per ASME Y14.5M

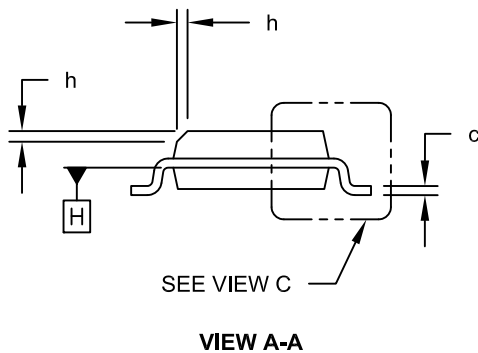
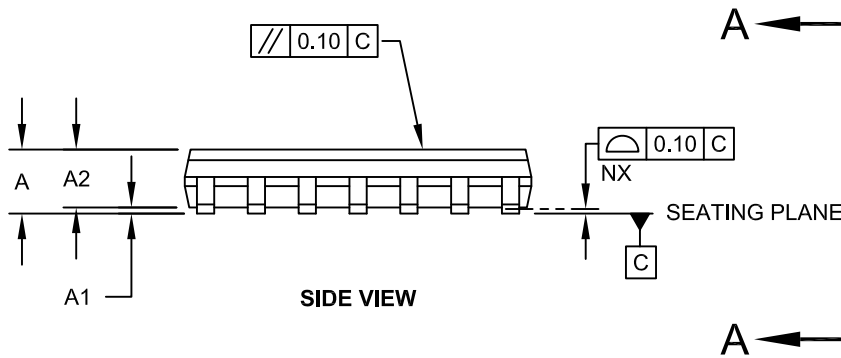
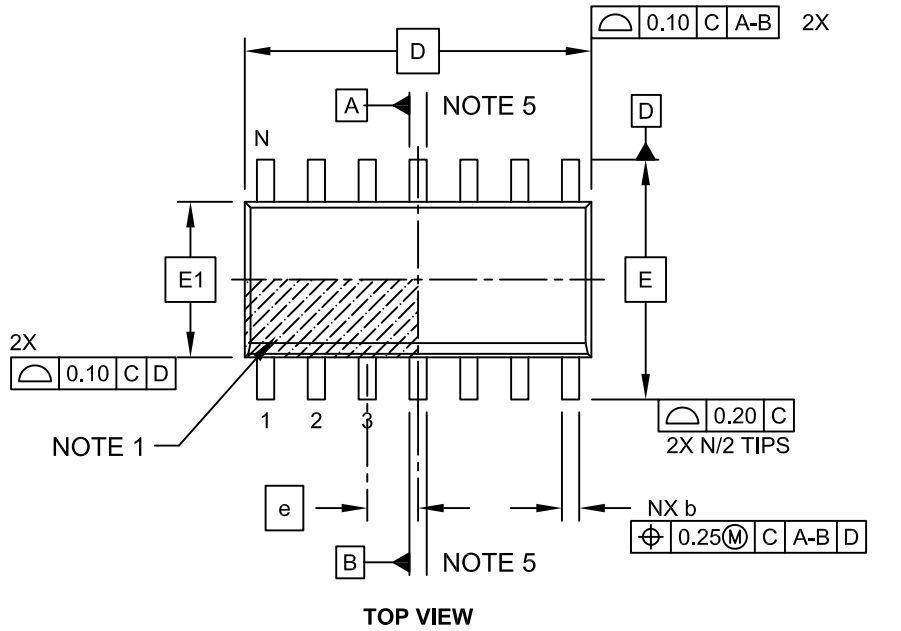
BSC: Basic Dimension. Theoretically exact value shown without tolerances.

Microchip Technology Drawing No. C04-2021A

# MCP660/1/2/3/4/5/9

## 14-Lead Plastic Small Outline (SL) - Narrow, 3.90 mm Body [SOIC]

**Note:** For the most current package drawings, please see the Microchip Packaging Specification located at <http://www.microchip.com/packaging>



Microchip Technology Drawing No. C04-065C Sheet 1 of 2

## 14-Lead Plastic Small Outline (SL) - Narrow, 3.90 mm Body [SOIC]

**Note:** For the most current package drawings, please see the Microchip Packaging Specification located at <http://www.microchip.com/packaging>



Dimension Limits	Units	MILLIMETERS		
		MIN	NOM	MAX
Number of Pins	N	14		
Pitch	e	1.27 BSC		
Overall Height	A	-	-	1.75
Molded Package Thickness	A2	1.25	-	-
Standoff §	A1	0.10	-	0.25
Overall Width	E	6.00 BSC		
Molded Package Width	E1	3.90 BSC		
Overall Length	D	8.65 BSC		
Chamfer (Optional)	h	0.25	-	0.50
Foot Length	L	0.40	-	1.27
Footprint	L1	1.04 REF		
Lead Angle	θ	0°	-	-
Foot Angle	φ	0°	-	8°
Lead Thickness	c	0.10	-	0.25
Lead Width	b	0.31	-	0.51
Mold Draft Angle Top	α	5°	-	15°
Mold Draft Angle Bottom	β	5°	-	15°

**Notes:**

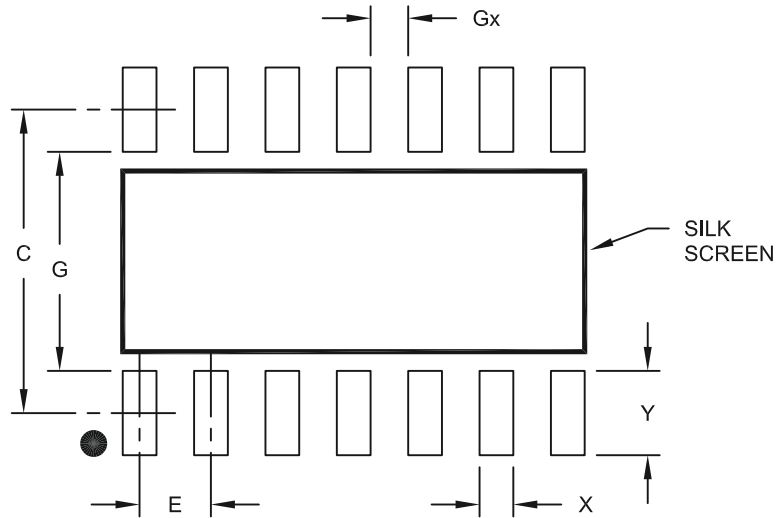
- Pin 1 visual index feature may vary, but must be located within the hatched area.
- § Significant Characteristic
- Dimension D does not include mold flash, protrusions or gate burrs, which shall not exceed 0.15 mm per end. Dimension E1 does not include interlead flash or protrusion, which shall not exceed 0.25 mm per side.
- Dimensioning and tolerancing per ASME Y14.5M  
 BSC: Basic Dimension, Theoretically exact value shown without tolerances.  
 REF: Reference Dimension, usually without tolerance, for information purposes only.
- Datums A & B to be determined at Datum H.

Microchip Technology Drawing No. C04-065C Sheet 2 of 2

# MCP660/1/2/3/4/5/9

14-Lead Plastic Small Outline (SL) - Narrow, 3.90 mm Body [SOIC]

**Note:** For the most current package drawings, please see the Microchip Packaging Specification located at <http://www.microchip.com/packaging>



RECOMMENDED LAND PATTERN

		Units	MILLIMETERS		
		Dimension Limits	MIN	NOM	MAX
Contact Pitch	E	1.27 BSC			
Contact Pad Spacing	C		5.40		
Contact Pad Width	X				0.60
Contact Pad Length	Y				1.50
Distance Between Pads	Gx	0.67			
Distance Between Pads	G	3.90			

Notes:

1. Dimensioning and tolerancing per ASME Y14.5M

BSC: Basic Dimension. Theoretically exact value shown without tolerances.

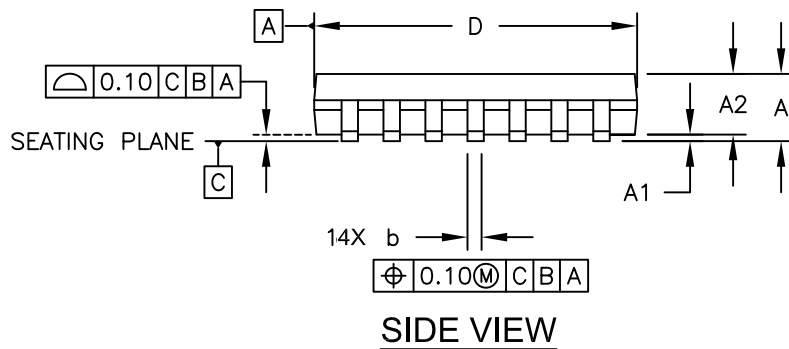
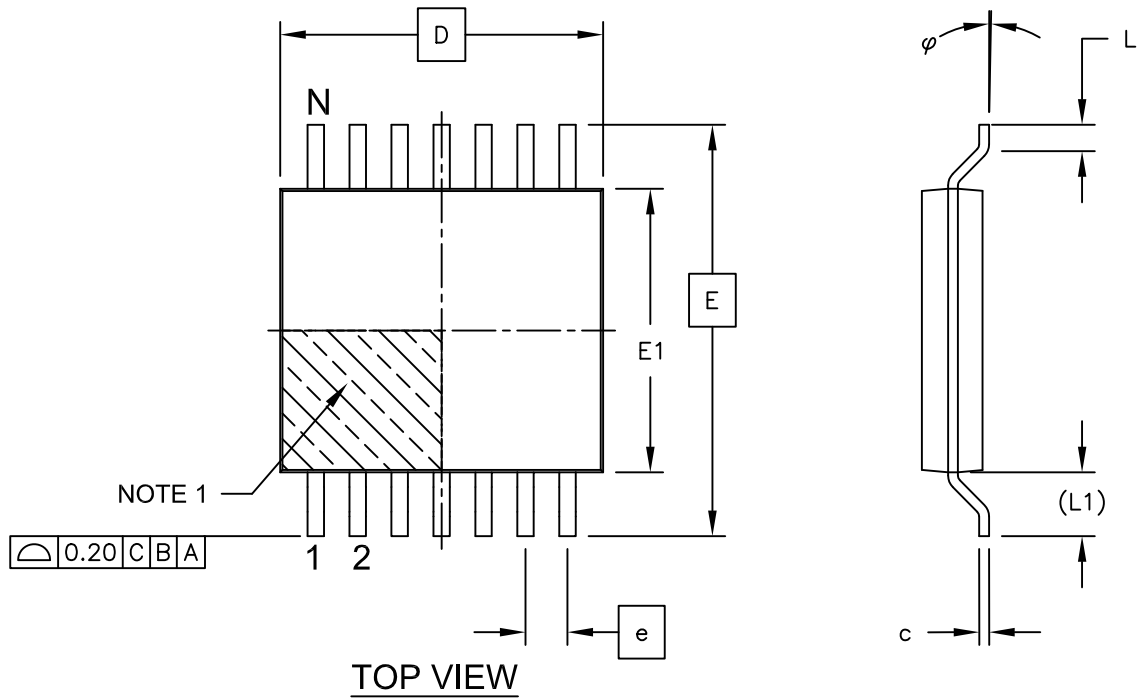
Microchip Technology Drawing No. C04-2065A



# MCP660/1/2/3/4/5/9

## 14-Lead Plastic Thin Shrink Small Outline (ST) - 4.4 mm Body [TSSOP]

**Note:** For the most current package drawings, please see the Microchip Packaging Specification located at <http://www.microchip.com/packaging>



Microchip Technology Drawing C04-087C Sheet 1 of 2

# MCP660/1/2/3/4/5/9

## 14-Lead Plastic Thin Shrink Small Outline (ST) - 4.4 mm Body [TSSOP]

**Note:** For the most current package drawings, please see the Microchip Packaging Specification located at <http://www.microchip.com/packaging>



Dimension Limits	Units	MILLIMETERS		
		MIN	NOM	MAX
Number of Pins	N	14		
Pitch	e	0.65 BSC		
Overall Height	A	-	-	1.20
Molded Package Thickness	A2	0.80	1.00	1.05
Standoff	A1	0.05	-	0.15
Overall Width	E	6.40 BSC		
Molded Package Width	E1	4.30	4.40	4.50
Molded Package Length	D	4.90	5.00	5.10
Foot Length	L	0.45	0.60	0.75
Footprint	(L1)	1.00 REF		
Foot Angle	$\varphi$	0°	-	8°
Lead Thickness	c	0.09	-	0.20
Lead Width	b	0.19	-	0.30

**Notes:**

1. Pin 1 visual index feature may vary, but must be located within the hatched area.
2. Dimensions D and E1 do not include mold flash or protrusions. Mold flash or protrusions shall not exceed 0.15mm per side.
3. Dimensioning and tolerancing per ASME Y14.5M

BSC: Basic Dimension. Theoretically exact value shown without tolerances.

REF: Reference Dimension, usually without tolerance, for information purposes only.

Microchip Technology Drawing No. C04-087C Sheet 2 of 2

## 14-Lead Plastic Thin Shrink Small Outline (ST) - 4.4 mm Body [TSSOP]

**Note:** For the most current package drawings, please see the Microchip Packaging Specification located at <http://www.microchip.com/packaging>



### RECOMMENDED LAND PATTERN

Units		MILLIMETERS		
Dimension Limits		MIN	NOM	MAX
Contact Pitch	E	0.65 BSC		
Contact Pad Spacing	C1		5.90	
Contact Pad Width (X14)	X1			0.45
Contact Pad Length (X14)	Y1			1.45
Distance Between Pads	G	0.20		

**Notes:**

1. Dimensioning and tolerancing per ASME Y14.5M

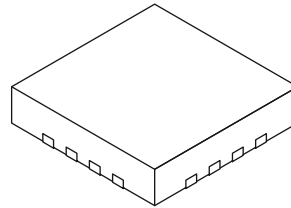
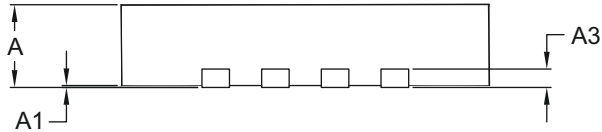
BSC: Basic Dimension. Theoretically exact value shown without tolerances.

Microchip Technology Drawing No. C04-2087A

# MCP660/1/2/3/4/5/9

## 16-Lead Plastic Quad Flat, No Lead Package (ML) – 4x4x0.9 mm Body [QFN]

**Note:** For the most current package drawings, please see the Microchip Packaging Specification located at <http://www.microchip.com/packaging>



Dimension Limits	Units	MILLIMETERS		
		MIN	NOM	MAX
Number of Pins	N	16		
Pitch	e	0.65 BSC		
Overall Height	A	0.80	0.90	1.00
Standoff	A1	0.00	0.02	0.05
Contact Thickness	A3	0.20 REF		
Overall Width	E	4.00 BSC		
Exposed Pad Width	E2	2.50	2.65	2.80
Overall Length	D	4.00 BSC		
Exposed Pad Length	D2	2.50	2.65	2.80
Contact Width	b	0.25	0.30	0.35
Contact Length	L	0.30	0.40	0.50
Contact-to-Exposed Pad	K	0.20	-	-

**Notes:**

- Pin 1 visual index feature may vary, but must be located within the hatched area.
- Package is saw singulated.
- Dimensioning and tolerancing per ASME Y14.5M.

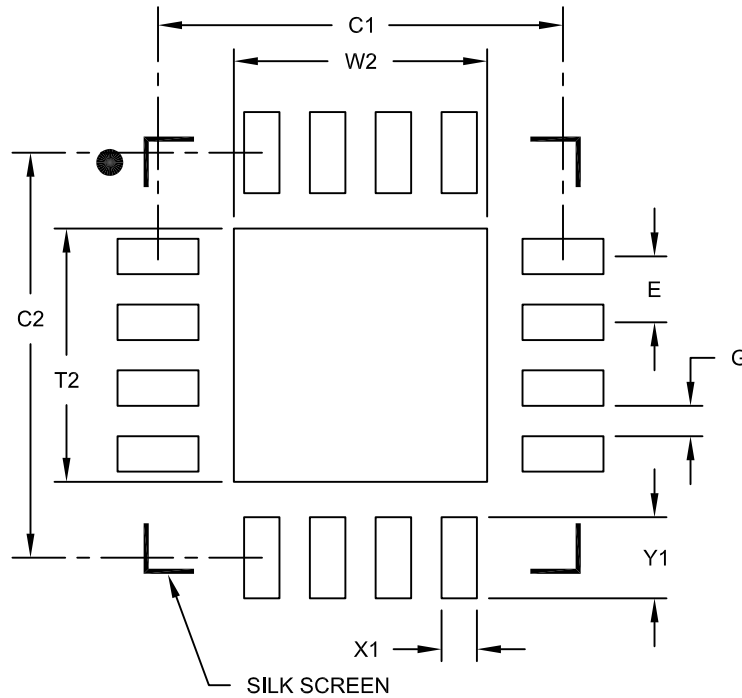
BSC: Basic Dimension. Theoretically exact value shown without tolerances.

REF: Reference Dimension, usually without tolerance, for information purposes only.

Microchip Technology Drawing C04-127B

## 16-Lead Plastic Quad Flat, No Lead Package (ML) - 4x4x0.9mm Body [QFN]

**Note:** For the most current package drawings, please see the Microchip Packaging Specification located at <http://www.microchip.com/packaging>



RECOMMENDED LAND PATTERN

Dimension Limits	Units	MILLIMETERS		
		MIN	NOM	MAX
Contact Pitch	E	0.65 BSC		
Optional Center Pad Width	W2			2.50
Optional Center Pad Length	T2			2.50
Contact Pad Spacing	C1		4.00	
Contact Pad Spacing	C2		4.00	
Contact Pad Width (X16)	X1			0.35
Contact Pad Length (X16)	Y1			0.80
Distance Between Pads	G	0.30		

**Notes:**

1. Dimensioning and tolerancing per ASME Y14.5M

BSC: Basic Dimension. Theoretically exact value shown without tolerances.

Microchip Technology Drawing No. C04-2127A

# MCP660/1/2/3/4/5/9

---

NOTES:

## APPENDIX A: REVISION HISTORY

### Revision D (March 2012)

The following is the list of modifications:

Added the MSOP (8L) package for MCP662 and all related information throughout the document.

### Revision C (November 2011)

The following is the list of modifications:

1. Added the SOT-23 (5L) and TDFN (8L) package option for MCP661 and SOT-23 (6L) package options for MCP663 and the related information throughout the document. Updated **Package Types** drawing with pin designation for each new package.
2. Updated [Table 1-4](#) to show the temperature specifications for new packages.
3. Updated [Table 3-1](#) to show all the pin functions.
4. Updated **Section 6.0 “Packaging Information”** with markings for the new additions. Added the corresponding SOT-23 (5L and 6L) and 2x3 TDFN (8L) package options and related information.
5. Updated table description and examples in the **Product Identification System** section.

### Revision B (September 2011)

The following is the list of modifications:

1. Added the MCP660, MCP664 and MCP669 amplifiers to the product family and the related information throughout the document.
2. Added the 4x4 QFN (16L) package option for MCP660 and MCP669, SOIC and TSSOP (14L) package options for MCP660 and MCP665 and the related information throughout the document. Updated **Package Types** drawing with pin designation for each new package.
3. Updated [Table 1-4](#) to show the temperature specifications for new packages.
4. Updated [Table 3-1](#) to show all the pin functions.
5. Updated **Section 6.0 “Packaging Information”** with markings for the new additions. Added the corresponding SOIC and TSSOP (14L), and 4x4 QFN (16L) package options and related information.
6. Updated table description and examples in **Product Identification System**.

### Revision A (July 2009)

Original release of this document.

# MCP660/1/2/3/4/5/9

---

NOTES:



## PRODUCT IDENTIFICATION SYSTEM

To order or obtain information, e.g., on pricing or delivery, refer to the factory or the listed sales office.

<u>PART NO.</u>	<u>-X</u>	<u>/XX</u>	
Device	Temperature Range	Package	
Device:	MCP660	Triple Op Amp	
	MCP660T	Triple Op Amp (Tape and Reel) (SOIC, TSSOP, QFN)	
	MCP661	Single Op Amp	
	MCP661T	Single Op Amp (Tape and Reel) (SOIC SOT-23 and TDFN)	
	MCP662	Dual Op Amp	
	MCP662T	Dual Op Amp (Tape and Reel) (DFN, MSOP and SOIC)	
	MCP663	Single Op Amp with $\overline{CS}$	
	MCP663T	Single Op Amp with $\overline{CS}$ (Tape and Reel) (SOIC and SOT-23)	
	MCP664	Quad Op Amp	
	MCP664T	Quad Op Amp (Tape and Reel) (SOIC, TSSOP)	
	MCP665	Dual Op Amp with $\overline{CS}$	
	MCP665T	Dual Op Amp with $\overline{CS}$ (Tape and Reel) (DFN and MSOP)	
	MCP669	Quad Op Amp with $\overline{CS}$	
	MCP669T	Quad Op Amp with $\overline{CS}$ (Tape and Reel) (QFN)	
Temperature Range:	E	= -40°C to +125°C	
Package:	CHY	= Plastic Small Outline (SOT-23), 6-lead	
	MF	= Plastic Dual Flat, No Lead (3x3 DFN), 8-lead, 10-lead	
	ML	= Plastic Quad Flat, No Lead Package (4x4 QFN), (4x4x0.9 mm), 16-lead	
	MNY	= Plastic Dual Flat, No Lead (2x3 TDFN), 8-lead	
	MS	= Plastic Micro Small Outline (MSOP), 8-lead	
	OT	= Plastic Small Outline (SOT-23), 5-lead	
	SL	= Plastic Small Outline, Narrow, (3.90 mm SOIC), 14-lead	
	SN	= Plastic Small Outline (3.90 mm), 8-lead	
	ST	= Plastic Thin Shrink Small Outline, (4.4 mm TSSOP), 14-lead	
	UN	= Plastic Micro Small Outline (MSOP), 10-lead	
	* Y = Nickel palladium gold manufacturing designator. Only available on the TDFN package.		
			<b>Examples:</b>
			a) MCP660T-E/ML: Tape and Reel Extended temperature, 16LD QFN package
			b) MCP660T-E/SN: Tape and Reel Extended temperature, 14LD SOIC package
			c) MCP660T-E/ST: Tape and Reel Extended temperature, 14LD TSSOP package
			d) MCP661T-E/SN: Tape and Reel Extended temperature, 8LD SOIC package
			e) MCP661T-E/MNY: Tape and Reel, Extended Temperature 8LD TDFN package
			f) MCP662T-E/MF: Tape and Reel Extended temperature, 8LD DFN package
			g) MCP662T-E/MS: Tape and Reel Extended temperature, 8LD MSOP package
			h) MCP662T-E/SN: Tape and Reel Extended temperature, 8LD SOIC package
			i) MCP663T-E/SN: Tape and Reel Extended temperature, 8LD SOIC package
			j) MCP663T-E/CHY: Tape and Reel, Extended Temperature, 6LD SOT-23 package
			k) MCP664T-E/SN: Tape and Reel Extended temperature, 14LD SOIC package
			l) MCP664T-E/ST: Tape and Reel Extended temperature, 14LD TSSOP package
			m) MCP665T-E/MF: Tape and Reel Extended temperature, 10LD DFN package
			n) MCP665T-E/UN: Tape and Reel Extended temperature, 10LD MSOP package
			o) MCP669T-E/ML: Tape and Reel Extended temperature, 16LD QFN package

# MCP660/1/2/3/4/5/9

---

NOTES:

---

**Note the following details of the code protection feature on Microchip devices:**

- Microchip products meet the specification contained in their particular Microchip Data Sheet.
- Microchip believes that its family of products is one of the most secure families of its kind on the market today, when used in the intended manner and under normal conditions.
- There are dishonest and possibly illegal methods used to breach the code protection feature. All of these methods, to our knowledge, require using the Microchip products in a manner outside the operating specifications contained in Microchip's Data Sheets. Most likely, the person doing so is engaged in theft of intellectual property.
- Microchip is willing to work with the customer who is concerned about the integrity of their code.
- Neither Microchip nor any other semiconductor manufacturer can guarantee the security of their code. Code protection does not mean that we are guaranteeing the product as “unbreakable.”

Code protection is constantly evolving. We at Microchip are committed to continuously improving the code protection features of our products. Attempts to break Microchip's code protection feature may be a violation of the Digital Millennium Copyright Act. If such acts allow unauthorized access to your software or other copyrighted work, you may have a right to sue for relief under that Act.

---

Information contained in this publication regarding device applications and the like is provided only for your convenience and may be superseded by updates. It is your responsibility to ensure that your application meets with your specifications. MICROCHIP MAKES NO REPRESENTATIONS OR WARRANTIES OF ANY KIND WHETHER EXPRESS OR IMPLIED, WRITTEN OR ORAL, STATUTORY OR OTHERWISE, RELATED TO THE INFORMATION, INCLUDING BUT NOT LIMITED TO ITS CONDITION, QUALITY, PERFORMANCE, MERCHANTABILITY OR FITNESS FOR PURPOSE. Microchip disclaims all liability arising from this information and its use. Use of Microchip devices in life support and/or safety applications is entirely at the buyer's risk, and the buyer agrees to defend, indemnify and hold harmless Microchip from any and all damages, claims, suits, or expenses resulting from such use. No licenses are conveyed, implicitly or otherwise, under any Microchip intellectual property rights.

**Trademarks**

The Microchip name and logo, the Microchip logo, dsPIC, KEELOQ, KEELOQ logo, MPLAB, PIC, PICmicro, PICSTART, PIC<sup>32</sup> logo, rPIC and UNI/O are registered trademarks of Microchip Technology Incorporated in the U.S.A. and other countries.

FilterLab, Hampshire, HI-TECH C, Linear Active Thermistor, MXDEV, MXLAB, SEEVAL and The Embedded Control Solutions Company are registered trademarks of Microchip Technology Incorporated in the U.S.A.

Analog-for-the-Digital Age, Application Maestro, chipKIT, chipKIT logo, CodeGuard, dsPICDEM, dsPICDEM.net, dsPICworks, dsSPEAK, ECAN, ECONOMONITOR, FanSense, HI-TIDE, In-Circuit Serial Programming, ICSP, Mindi, MiWi, MPASM, MPLAB Certified logo, MPLIB, MPLINK, mTouch, Omniscient Code Generation, PICC, PICC-18, PICDEM, PICDEM.net, PICKit, PICtail, REAL ICE, rLAB, Select Mode, Total Endurance, TSHARC, UniWinDriver, WiperLock and ZENA are trademarks of Microchip Technology Incorporated in the U.S.A. and other countries.

SQTP is a service mark of Microchip Technology Incorporated in the U.S.A.

All other trademarks mentioned herein are property of their respective companies.

© 2009-2012, Microchip Technology Incorporated, Printed in the U.S.A., All Rights Reserved.

 Printed on recycled paper.

ISBN: 978-1-62076-073-4

**QUALITY MANAGEMENT SYSTEM  
CERTIFIED BY DNV  
= ISO/TS 16949 =**

*Microchip received ISO/TS-16949:2009 certification for its worldwide headquarters, design and wafer fabrication facilities in Chandler and Tempe, Arizona; Gresham, Oregon and design centers in California and India. The Company's quality system processes and procedures are for its PIC<sup>®</sup> MCUs and dsPIC<sup>®</sup> DSCs, KEELOQ<sup>®</sup> code hopping devices, Serial EEPROMs, microperipherals, nonvolatile memory and analog products. In addition, Microchip's quality system for the design and manufacture of development systems is ISO 9001:2000 certified.*



# MICROCHIP

## Worldwide Sales and Service

### AMERICAS

**Corporate Office**  
2355 West Chandler Blvd.  
Chandler, AZ 85224-6199  
Tel: 480-792-7200  
Fax: 480-792-7277  
Technical Support:  
<http://www.microchip.com/support>  
Web Address:  
[www.microchip.com](http://www.microchip.com)

**Atlanta**  
Duluth, GA  
Tel: 678-957-9614  
Fax: 678-957-1455

**Boston**  
Westborough, MA  
Tel: 774-760-0087  
Fax: 774-760-0088

**Chicago**  
Itasca, IL  
Tel: 630-285-0071  
Fax: 630-285-0075

**Cleveland**  
Independence, OH  
Tel: 216-447-0464  
Fax: 216-447-0643

**Dallas**  
Addison, TX  
Tel: 972-818-7423  
Fax: 972-818-2924

**Detroit**  
Farmington Hills, MI  
Tel: 248-538-2250  
Fax: 248-538-2260

**Indianapolis**  
Noblesville, IN  
Tel: 317-773-8323  
Fax: 317-773-5453

**Los Angeles**  
Mission Viejo, CA  
Tel: 949-462-9523  
Fax: 949-462-9608

**Santa Clara**  
Santa Clara, CA  
Tel: 408-961-6444  
Fax: 408-961-6445

**Toronto**  
Mississauga, Ontario,  
Canada  
Tel: 905-673-0699  
Fax: 905-673-6509

### ASIA/PACIFIC

**Asia Pacific Office**  
Suites 3707-14, 37th Floor  
Tower 6, The Gateway  
Harbour City, Kowloon  
Hong Kong  
Tel: 852-2401-1200  
Fax: 852-2401-3431

**Australia - Sydney**  
Tel: 61-2-9868-6733  
Fax: 61-2-9868-6755

**China - Beijing**  
Tel: 86-10-8569-7000  
Fax: 86-10-8528-2104

**China - Chengdu**  
Tel: 86-28-8665-5511  
Fax: 86-28-8665-7889

**China - Chongqing**  
Tel: 86-23-8980-9588  
Fax: 86-23-8980-9500

**China - Hangzhou**  
Tel: 86-571-2819-3187  
Fax: 86-571-2819-3189

**China - Hong Kong SAR**  
Tel: 852-2401-1200  
Fax: 852-2401-3431

**China - Nanjing**  
Tel: 86-25-8473-2460  
Fax: 86-25-8473-2470

**China - Qingdao**  
Tel: 86-532-8502-7355  
Fax: 86-532-8502-7205

**China - Shanghai**  
Tel: 86-21-5407-5533  
Fax: 86-21-5407-5066

**China - Shenyang**  
Tel: 86-24-2334-2829  
Fax: 86-24-2334-2393

**China - Shenzhen**  
Tel: 86-755-8203-2660  
Fax: 86-755-8203-1760

**China - Wuhan**  
Tel: 86-27-5980-5300  
Fax: 86-27-5980-5118

**China - Xian**  
Tel: 86-29-8833-7252  
Fax: 86-29-8833-7256

**China - Xiamen**  
Tel: 86-592-2388138  
Fax: 86-592-2388130

**China - Zhuhai**  
Tel: 86-756-3210040  
Fax: 86-756-3210049

### ASIA/PACIFIC

**India - Bangalore**  
Tel: 91-80-3090-4444  
Fax: 91-80-3090-4123

**India - New Delhi**  
Tel: 91-11-4160-8631  
Fax: 91-11-4160-8632

**India - Pune**  
Tel: 91-20-2566-1512  
Fax: 91-20-2566-1513

**Japan - Osaka**  
Tel: 81-66-152-7160  
Fax: 81-66-152-9310

**Japan - Yokohama**  
Tel: 81-45-471-6166  
Fax: 81-45-471-6122

**Korea - Daegu**  
Tel: 82-53-744-4301  
Fax: 82-53-744-4302

**Korea - Seoul**  
Tel: 82-2-554-7200  
Fax: 82-2-558-5932 or  
82-2-558-5934

**Malaysia - Kuala Lumpur**  
Tel: 60-3-6201-9857  
Fax: 60-3-6201-9859

**Malaysia - Penang**  
Tel: 60-4-227-8870  
Fax: 60-4-227-4068

**Philippines - Manila**  
Tel: 63-2-634-9065  
Fax: 63-2-634-9069

**Singapore**  
Tel: 65-6334-8870  
Fax: 65-6334-8850

**Taiwan - Hsin Chu**  
Tel: 886-3-5778-366  
Fax: 886-3-5770-955

**Taiwan - Kaohsiung**  
Tel: 886-7-536-4818  
Fax: 886-7-330-9305

**Taiwan - Taipei**  
Tel: 886-2-2500-6610  
Fax: 886-2-2508-0102

**Thailand - Bangkok**  
Tel: 66-2-694-1351  
Fax: 66-2-694-1350

### EUROPE

**Austria - Wels**  
Tel: 43-7242-2244-39  
Fax: 43-7242-2244-393

**Denmark - Copenhagen**  
Tel: 45-4450-2828  
Fax: 45-4485-2829

**France - Paris**  
Tel: 33-1-69-53-63-20  
Fax: 33-1-69-30-90-79

**Germany - Munich**  
Tel: 49-89-627-144-0  
Fax: 49-89-627-144-44

**Italy - Milan**  
Tel: 39-0331-742611  
Fax: 39-0331-466781

**Netherlands - Drunen**  
Tel: 31-416-690399  
Fax: 31-416-690340

**Spain - Madrid**  
Tel: 34-91-708-08-90  
Fax: 34-91-708-08-91

**UK - Wokingham**  
Tel: 44-118-921-5869  
Fax: 44-118-921-5820

11/29/11



Компания «ЭлектроПласт» предлагает заключение долгосрочных отношений при поставках импортных электронных компонентов на взаимовыгодных условиях!

Наши преимущества:

- Оперативные поставки широкого спектра электронных компонентов отечественного и импортного производства напрямую от производителей и с крупнейших мировых складов;
- Поставка более 17-ти миллионов наименований электронных компонентов;
- Поставка сложных, дефицитных, либо снятых с производства позиций;
- Оперативные сроки поставки под заказ (от 5 рабочих дней);
- Экспресс доставка в любую точку России;
- Техническая поддержка проекта, помощь в подборе аналогов, поставка прототипов;
- Система менеджмента качества сертифицирована по Международному стандарту ISO 9001;
- Лицензия ФСБ на осуществление работ с использованием сведений, составляющих государственную тайну;
- Поставка специализированных компонентов (Xilinx, Altera, Analog Devices, Intersil, Interpoint, Microsemi, Aeroflex, Peregrine, Syfer, Eurofarad, Texas Instrument, Miteq, Cobham, E2V, MA-COM, Hittite, Mini-Circuits, General Dynamics и др.);

Помимо этого, одним из направлений компании «ЭлектроПласт» является направление «Источники питания». Мы предлагаем Вам помощь Конструкторского отдела:

- Подбор оптимального решения, техническое обоснование при выборе компонента;
- Подбор аналогов;
- Консультации по применению компонента;
- Поставка образцов и прототипов;
- Техническая поддержка проекта;
- Защита от снятия компонента с производства.



#### Как с нами связаться

**Телефон:** 8 (812) 309 58 32 (многоканальный)

**Факс:** 8 (812) 320-02-42

**Электронная почта:** [org@eplast1.ru](mailto:org@eplast1.ru)

**Адрес:** 198099, г. Санкт-Петербург, ул. Калинина, дом 2, корпус 4, литера А.