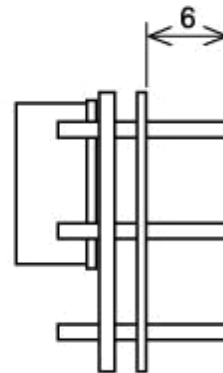
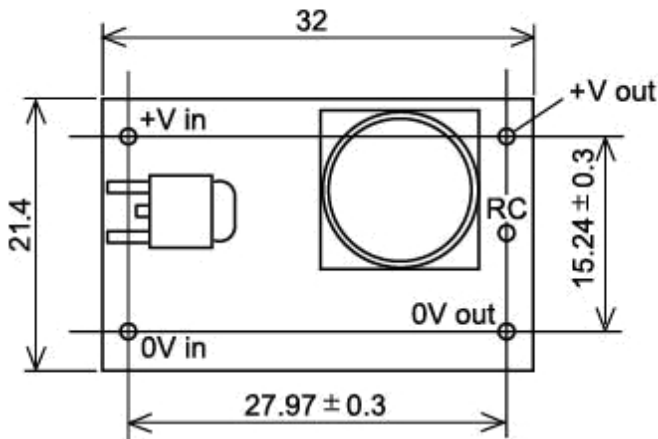


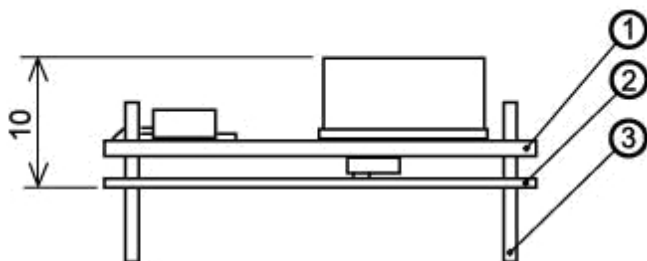


### OC1XX-SCXXXX-A

4.6~28.8 WATT  
NON-ISOLATED  
DC-DC CONVERTER



Turn on by inputting voltage (4.5 to 56V) between "RC" pin and "0V" pin. Put a 5k ohm resistor between "+" in pin and "RC" pin when remote on/off is not used



- ① Double-sided PCB FR4t=1.0
- ② t=0.5 Insulator UL94V0
- ③ 1.0DIA PIN Material :BsB 2700 1/2H

Solder Plating

\*Tolerance  $\pm 0.5$





At rated input and output, 25[°C] ambient unless noted.

| SPECIFICATION                             |                            | MODEL     | OC1-24SC48U1A  |       |
|---|----------------------------|-----------|--|-------|
| <b>INPUT SPECIFICATION</b>                |                            |           |  |       |
| Rated Input Voltage                       | [V] DC                     |           | DC 48  |       |
| Rated Input Current                       | [mA] Max.                  |           | 700  |       |
| Allowable Input Voltage Range             | [V]                        |           | DC40.8 ~ 56  |       |
| Inrush Current                            | ※1                         |           | Not Specified<br>(Reference : 33[A], 7[μs], DC48[V] in)  |       |
| Stand-by Input Current                    | [mA] Typ.                  |           | 14   |       |
| Input Current when Remote Control is off. | [μA] Typ.                  |           | 5  |       |
| Input Leakage Ripple Voltage              | [mVp-p] Typ.               |           | 1000   |       |
| Efficiency                                | [%] Typ.                   |           | 95.0   |       |
| <b>OUTPUT SPECIFICATION</b>               |                            |           |  |       |
| Maximum Output Power                      | [W]                        |           | 4.6 ~ 28.8   |       |
| Rated Output Voltage                      | [V]                        |           | 24   |       |
| Rated Output Current                      | [mA]                       |           | 1200   |       |
| Output Voltage Accuracy                   | [V]                        |           | 23.28~24.72  |       |
| Ripple and Noise                          | [mVp-p] Max.               | ※2        | 200  |       |
| Voltage Regulation                        | a. Line Regulation         | [mV] Max. | ※3   | 120   |
|   | b. Load Regulation         | [mV] Max. | ※4   | 120   |
|   | c. Temperature Effect      | [mV] Max. | -20~71[°C]   | 655   |
|   | d. Drift                   | [mV] Max. | ※5   | 135   |
|   | e. Dynamic Line Regulation | [mV] Max. | ※6   | ±1500 |
|   | f. Dynamic Load Regulation | [mV] Max. | ※7   | ±200  |
|   | g. Recovery Time           | [ms] Max. | ※6   | 5     |
| Start-up Time                             | [ms] Max.                  | ※7        | 5  |       |
| Hold-up Time                              |                            |           | Not Specified (= 0[S])   |       |
| <b>OPTIONAL FUNCTIONS</b>                 |                            |           |  |       |
| Over Current Protection                   |                            |           | Auto recover, Hiccup   |       |
| Over Voltage Protection                   | [A] Min.                   |           | 1.30   |       |
|   | [V] Min.                   |           | Zener diode limiting<br>26.4   |       |
| Operation Indicator                       |                            |           | None   |       |
| Remote Control (RC)                       | ※8                         |           | Available  |       |
| Remote Sensing (RS)                       |                            |           | None   |       |
| Power Fail (PF)                           |                            |           | None   |       |
| Output Voltage Trimming                   |                            |           | None   |       |
| Input Fuse                                |                            |           | Built-in (2[A])  |       |
| Serial Operation                          |                            |           | Not available  |       |
| Parallel Operation                        |                            |           | Not available (1+1 redundant with using OR-ing diode is acceptable.)   |       |
| <b>GENERAL SPECIFICATIONS</b>             |                            |           |  |       |
| Operating Temperature                     | [°C]                       |           | Refer to the De-Rating Condition.<br>-20 ~ +71   |       |
| Storage Temperature                       | [°C]                       |           | -20 ~ +85 Except thermal shock   |       |
| Operating Humidity                        | [%] RH                     |           | 20 ~ 90 Without condensation   |       |
| Storage Humidity                          | [%] RH                     |           | 20 ~ 90 Without condensation   |       |
| Withstanding Voltage                      |                            |           | Non Isolated   |       |
| Insulation Resistance                     |                            |           | Non Isolated   |       |
| Vibration                                 | ※9                         |           | 5 - 10[Hz] / XYZ axis 10[mm], 10 - 550[Hz] / 24.5[m/s <sup>2</sup> ]<br>XYZ axis (non-operating)                 |       |
| Shock                                     | ※9                         |           | 294[m/s <sup>2</sup> ] / XYZ axis.   |       |
| Cooling Method                            |                            |           | Convection Cooling   |       |
| <b>APPLIED STANDARDS</b>                  |                            |           |  |       |
| Safety Standards                          |                            |           | North America : UL60950-1 2nd ed. 2011-12-19 Approved<br>: CAN/CSA-C22.2 No. 60950-1-07 2nd ed. 2011-12 Approved |       |
| <b>DIMENSION AND WEIGHT</b>               |                            |           |  |       |
| Appearance                                |                            |           | On-Board Type  |       |
| Dimension                                 | [mm] (HxWxD)               |           | 10 x 32 x 21.4   |       |
| Weight                                    | [g] Max.                   |           | 8  |       |
| <b>REFERENCE</b>                          |                            |           |  |       |
| M T B F                                   | [h]                        | ※10       | 587, 986, 27   |       |

※1 Reference : At cold start.

※2 Measured by Measured by a Bayonet type probe. Bandwidth DC-100[MHz].

※3 40.8 to 56[V] DC input voltage.

※4 At 48[V] DC , 0 to 100[%] load.

※5 Up to 8[h] after 1[h].

※6 At rated load , input voltage is changed between 40.8[V] DC and 56[V] DC.

※7 At 48[V] DC , load is changed between 25[%] and 75[%]

※8 ON : Apply DC2.8V-Input Voltage between PIN "RC" and "OV" (Inflowing current will be 5-500[μA]Typ. when 5-56V applied )

OFF: When PIN "RC" and "OV" is open

Short the PIN "RC" and "+Input Voltage" when not using the RC function

※9 The hole size of the mother board have to be 1.3[φ], Solder resist window 3.4[φ]

(In Thickness 1.6[mm] CEM-3 mother board).

Mother board have to be Non-resonated.

※10 Standard for recommended reliability estimation of components' count method of JEITA's switching power supply. According to JEITA RCR-9102B(MIL-HDBK-217F-NOTICE 2).





At rated input and output, 25[°C] ambient unless noted.

| SPECIFICATION                             |                            | MODEL                  | OC1-3.3SC1224U1A   | OC1-05SC1224U1A | OC1-06SC1224U1A |          |            |      |
|---|----------------------------|------------------------|--|-----------------|-----------------|----------|------------|------|
| <b>INPUT SPECIFICATION</b>                |                            |                        |  |                 |                 |          |            |      |
| Rated Input Voltage                       | [V] DC                     |                        | 12   | 24              | 12              | 24       | 12         | 24   |
| Rated Input Current                       | [mA]Max.                   |                        | 500  | 300             | 800             | 400      | 900        | 450  |
| Allowable Input Voltage Range             | [V]                        |                        | DC10.2 ~ 32  |                 |                 |          |            |      |
| Inrush Current                            |                            | ※1                     | Not Specified<br>(Reference : 8[A], 10[μs], DC12[V] in / 13[A], 8[μs], DC24[V] in) |                 |                 |          |            |      |
| Stand-by Input Current                    | [mA]Typ.                   |                        | 10   | 11              | 10              | 11       | 10         | 11   |
| Input Current when Remote Control is off. | [μA]Typ.                   |                        | 1  | 2               | 1               | 2        | 1          | 2    |
| Input Leakage Ripple Voltade              | [mVp-p]Typ.                |                        | 500  | 500             | 700             | 700      | 700        | 700  |
| Efficiency                                | [%]Typ.                    |                        | 84.0   | 81.0            | 89.0            | 87.0     | 90.0       | 88.0 |
| <b>OUTPUT SPECIFICATION</b>               |                            |                        |  |                 |                 |          |            |      |
| Maximum Output Power                      | [W]                        |                        | 4.6 ~ 28.8   |                 |                 |          |            |      |
| Rated Output Voltage                      | [V]                        |                        | 3.3  |                 | 5               |          | 6          |      |
| Rated Output Current                      | [mA]                       |                        | 1400   |                 | 1400            |          | 1400       |      |
| Output Voltage Accuracy                   | [V]                        |                        | 3.20~3.40  |                 | 4.85~5.15       |          | 5.82~6.18  |      |
| Ripple and Noise                          | [mVp-p]Max.                | ※2                     | 200  |                 | 200             |          | 200        |      |
| Voltage Regulation                        | a. Line Regulation         | [mV]Max. ※3            | 18   |                 | 25              |          | 30         |      |
|   | b. Load Regulation         | [mV]Max. ※4            | 18   |                 | 25              |          | 30         |      |
|   | c. Temperature Effect      | [mV]Max. -20~71[°C] ※5 | 91   |                 | 137             |          | 164        |      |
|   | d. Drift                   | [mV]Max. ※6            | 30   |                 | 40              |          | 45         |      |
|   | e. Dynamic Line Regulation | [mV]Max. ※7            | ±500   |                 | ±1000           |          | ±1000      |      |
|   | f. Dynamic Load Regulation | [mV]Max. ※6            | ±200   |                 | ±200            |          | ±200       |      |
|   | g. Recovery Time           | [ms]Max. ※7            |  |                 | 5               |          |            |      |
| Start-up Time                             | [ms]Max.                   |                        |  | 5               |                 |          |            |      |
| Hold-up Time                              |                            |                        | Not Specified (= 0[S])   |                 |                 |          |            |      |
| <b>OPTIONAL FUNCTIONS</b>                 |                            |                        |  |                 |                 |          |            |      |
| Over Current Protection                   | [A]Min.                    |                        | 1.50   |                 | 1.50            |          | 1.50       |      |
| Over Voltage Protection                   | [V]Min.                    |                        | 3.63   |                 | 5.75            |          | 6.90       |      |
| Operation Indicator                       |                            |                        | None   |                 |                 |          |            |      |
| Remote Control (RC)                       |                            | ※8                     | Available  |                 |                 |          |            |      |
| Remote Sensing (RS)                       |                            |                        | None   |                 |                 |          |            |      |
| Power Fail (PF)                           |                            |                        | None   |                 |                 |          |            |      |
| Output Voltage Trimming                   |                            |                        | None   |                 |                 |          |            |      |
| Input Fuse                                |                            |                        | Built-in (2[A])  |                 |                 |          |            |      |
| Serial Operation                          |                            |                        | Not available  |                 |                 |          |            |      |
| Parallel Operation                        |                            |                        | Not available (1+1 redundant with using OR-ing diode is acceptable.)               |                 |                 |          |            |      |
| <b>GENERAL SPECIFICATIONS</b>             |                            |                        |  |                 |                 |          |            |      |
| Operating Temperature                     | [°C]                       |                        | Refer to the De-Rating Condition.<br>-20 ~ +71                                     |                 |                 |          |            |      |
| Storage Temperature                       | [°C]                       |                        | -20 ~ +85 Except thermal shock   |                 |                 |          |            |      |
| Operating Humidity                        | [%]RH                      |                        | 20 ~ 90 Without condensation   |                 |                 |          |            |      |
| Storage Humidity                          | [%]RH                      |                        | 20 ~ 90 Without condensation   |                 |                 |          |            |      |
| Withstanding Voltage                      |                            |                        | Non Isolated   |                 |                 |          |            |      |
| Insulation Resistance                     |                            |                        | Non Isolated   |                 |                 |          |            |      |
| Vibration                                 |                            | ※9                     | 5 - 10[Hz] / XYZ axis 10[mm], 10 - 55 0[Hz] / 24.5[m/s <sup>2</sup> ]              |                 |                 |          |            |      |
| Shock                                     |                            | ※9                     | 294[m/s <sup>2</sup> ] / XYZ axis.   |                 |                 |          |            |      |
| Cooling Method                            |                            |                        | Convection Cooling   |                 |                 |          |            |      |
| <b>APPLIED STANDARDS</b>                  |                            |                        |  |                 |                 |          |            |      |
| Safety Standards                          |                            |                        | North America : UL60950-1 2nd ed. 2011-12-19                                       |                 |                 | Approved |            |      |
| <b>DIMENSION AND WEIGHT</b>               |                            |                        |  |                 |                 |          |            |      |
| Appearance                                |                            |                        | On-Board Type  |                 |                 |          |            |      |
| Dimension                                 | [mm] (HxWxD)               |                        | 10 x 32 x 21.4   |                 |                 |          |            |      |
| Weight                                    | [g]Max.                    |                        | 8  |                 |                 |          |            |      |
| <b>REFERENCE</b>                          |                            |                        |  |                 |                 |          |            |      |
| M T B F                                   | [h]                        | ※10                    | 564,882.39   |                 | 564,882.39      |          | 564,882.39 |      |

- ※1 Reference : At cold start.
- ※2 Measured by Measured by a Bayonet type probe. Bandwidth DC-100[MHz].
- ※3 40.8 to 56[V] DC input voltage.
- ※4 At 48[V] DC , 0 to 100[%] load.
- ※5 Up to 8[h] after 1[h].
- ※6 At rated load , input voltage is changed between 40.8[V] DC and 56[V] DC.
- ※7 At 48[V] DC , load is changed between 25[%] and 75[%]
- ※8 ON : Apply DC2.8V-Input Voltage between PIN "RC" and "OV" (Inflowing current  
OFF: When PIN "RC" and "OV" is open  
Short the PIN "RC" and "+Input Voltage" when not using the RC function
- ※9 The hole size of the mother board have to be 1.3[φ], Solder resist window  
(In Thickness 1.6[mm] CEM-3 mother board).  
Mother board have to be Non-resonated.
- ※10 Standard for recommended reliability estimation of components' count method  
of JEITA's switching power supply. According to JEITA RCR-9102B (MIL-HDBK-





At rated input and output, 25[°C] ambient unless noted.

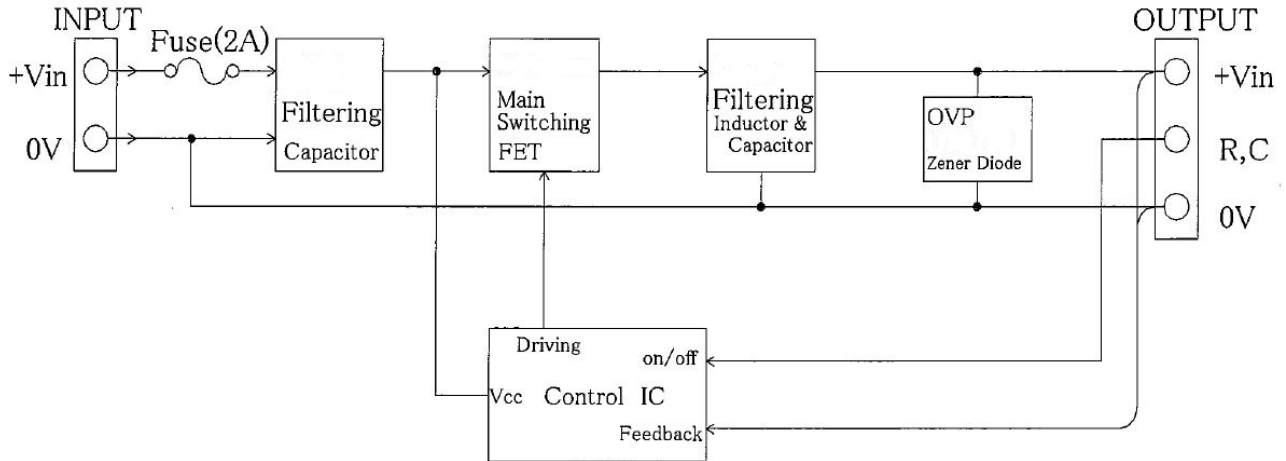
| MODEL                                     |                            | OC1-   |               | OC1-         |       | OC1-         |       | OC1-         |       | OC1-         |       | OC1-  |       |  |
|---|----------------------------|--|---------------|--------------|-------|--------------|-------|--------------|-------|--------------|-------|---|-------|--|
|   |                            | 3.3SC2448U1A   |               | 05SC2448U1A  |       | 06SC2448U1A  |       | 09SC2448U1A  |       | 12SC2448U1A  |       | 15SC2448U1A   |       |  |
| <b>SPECIFICATION</b>                      |                            |  |               |              |       |              |       |              |       |              |       |   |       |  |
| <b>INPUT SPECIFICATION</b>                |                            |  |               |              |       |              |       |              |       |              |       |   |       |  |
| Rated Input Voltage                       | [V] DC                     | 24   | 48            | 24           | 48    | 24           | 48    | 24           | 48    | 24           | 48    | 24  | 48    |  |
| Rated Input Current                       | [mA] Max.                  | 300  | 150           | 400          | 200   | 450          | 250   | 650          | 350   | 800          | 400   | 850   | 450   |  |
| Allowable Input Voltage Range             | [V]                        | DC20.4 ~ 56  |               |              |       |              |       |              |       |              |       |   |       |  |
| Inrush Current                            | ※1                         | Not Specified<br>(Reference : 16[A], 8[μs], DC24[V] in / 33[A], 7[μs], DC48[V] in)               |               |              |       |              |       |              |       |              |       |   |       |  |
| Stand-by Input Current                    | [mA] Typ.                  | 11   | 13            | 11           | 13    | 11           | 13    | 11           | 13    | 12           | 13    | 12  | 13    |  |
| Input Current when Remote Control is off. | [μA] Typ.                  | 2  | 5             | 2            | 5     | 2            | 5     | 2            | 5     | 2            | 5     | 2   | 5     |  |
| Input Leakage Ripple Voltage              | [mVp-p] Typ.               | 500  | 500           | 700          | 700   | 700          | 700   | 700          | 700   | 800          | 800   | 900   | 900   |  |
| Efficiency                                | [%] Typ.                   | 79.0   | 74.0          | 85.0         | 82.0  | 87.0         | 83.0  | 90.0         | 87.0  | 93.0         | 90.0  | 95.0  | 92.0  |  |
| <b>OUTPUT SPECIFICATION</b>               |                            |  |               |              |       |              |       |              |       |              |       |   |       |  |
| Maximum Output Power                      | [W]                        | 4.6 ~ 28.8   |               |              |       |              |       |              |       |              |       |   |       |  |
| Rated Output Voltage                      | [V]                        | 3.3  |               | 5            |       | 6            |       | 9            |       | 12           |       | 15  |       |  |
| Rated Output Current                      | [mA]                       | 1400   |               | 1400         |       | 1400         |       | 1400         |       | 1300         |       | 1200  |       |  |
| Output Voltage Accuracy                   | [V]                        | 3.20~3.40  |               | 4.85~5.15    |       | 5.82~6.18    |       | 8.73~9.27    |       | 11.64~12.36  |       | 14.55~15.45   |       |  |
| Ripple and Noise                          | [mVp-p] Max.               | ※2 200   |               | 200          |       | 200          |       | 200          |       | 200          |       | 200   |       |  |
| Voltage Regulation                        | a. Line Regulation         | [mV] Max.  | ※3 18         |              | 25    |              | 30    |              | 45    |              | 60    |   | 75    |  |
|   | b. Load Regulation         | [mV] Max.  | ※4 18         |              | 25    |              | 30    |              | 45    |              | 60    |   | 75    |  |
|   | c. Temperature Effect      | [mV] Max.  | -20~71[°C] 90 |              | 137   |              | 164   |              | 246   |              | 328   |   | 410   |  |
|   | d. Drift                   | [mV] Max.  | ※5 30         |              | 40    |              | 45    |              | 60    |              | 75    |   | 90    |  |
|   | e. Dynamic Line Regulation | [mV] Max.  | ※6 ±500       |              | ±1000 |              | ±1000 |              | ±1500 |              | ±1500 |   | ±1500 |  |
|   | f. Dynamic Load Regulation | [mV] Max.  | ※7 ±200       |              | ±200  |              | ±200  |              | ±200  |              | ±200  |   | ±200  |  |
|   | g. Recovery Time           | [ms] Max.  | ※6            |              | ※7    |              | 5     |              | 5     |              | 5     |   | 5     |  |
| Start-up Time                             | [ms] Max.                  | ※6   |               | ※7           |       | 5            |       | 5            |       | 5            |       | 5   |       |  |
| Hold-up Time                              |                            | Not Specified (= 0[S])   |               |              |       |              |       |              |       |              |       |   |       |  |
| <b>OPTIONAL FUNCTIONS</b>                 |                            |  |               |              |       |              |       |              |       |              |       |   |       |  |
| Over Current Protection                   | [A] Min.                   | 1.50   |               | 1.50         |       | 1.50         |       | 1.50         |       | 1.40         |       | 1.30  |       |  |
| Over Voltage Protection                   | [V] Min.                   | 3.63   |               | 5.75         |       | 6.90         |       | 10.35        |       | 13.80        |       | 17.25   |       |  |
| Operation Indicator                       |                            | None   |               |              |       |              |       |              |       |              |       |   |       |  |
| Remote Control (RC)                       | ※8                         | Available  |               |              |       |              |       |              |       |              |       |   |       |  |
| Remote Sensing (RS)                       |                            | None   |               |              |       |              |       |              |       |              |       |   |       |  |
| Power Fail (PF)                           |                            | None   |               |              |       |              |       |              |       |              |       |   |       |  |
| Output Voltage Trimming                   |                            | None   |               |              |       |              |       |              |       |              |       |   |       |  |
| Input Fuse                                |                            | Built-in (2[A])  |               |              |       |              |       |              |       |              |       |   |       |  |
| Serial Operation                          |                            | Not available  |               |              |       |              |       |              |       |              |       |   |       |  |
| Parallel Operation                        |                            | Not available (1+1 redundant with using OR-ing diode is acceptable.)                             |               |              |       |              |       |              |       |              |       |   |       |  |
| <b>GENERAL SPECIFICATIONS</b>             |                            |  |               |              |       |              |       |              |       |              |       |   |       |  |
| Operating Temperature                     | [°C]                       | Refer to the De-Rating Condition.<br>-20 ~ +71   |               |              |       |              |       |              |       |              |       |   |       |  |
| Storage Temperature                       | [°C]                       | -20 ~ +85 Except thermal shock   |               |              |       |              |       |              |       |              |       |   |       |  |
| Operating Humidity                        | [%] RH                     | 20 ~ 90 Without condensation   |               |              |       |              |       |              |       |              |       |   |       |  |
| Storage Humidity                          | [%] RH                     | 20 ~ 90 Without condensation   |               |              |       |              |       |              |       |              |       |   |       |  |
| Withstanding Voltage                      |                            | Non Isolated   |               |              |       |              |       |              |       |              |       |   |       |  |
| Insulation Resistance                     |                            | Non Isolated   |               |              |       |              |       |              |       |              |       |   |       |  |
| Vibration                                 | ※9                         | 5 - 10[Hz] / XYZ axis 10[mm], 10 - 550[Hz] / 24.5[m/s <sup>2</sup> ]<br>XYZ axis (non-operating) |               |              |       |              |       |              |       |              |       |   |       |  |
| Shock                                     | ※9                         | 294[m/s <sup>2</sup> ] / XYZ axis.   |               |              |       |              |       |              |       |              |       |   |       |  |
| Cooling Method                            |                            | Convection Cooling   |               |              |       |              |       |              |       |              |       |   |       |  |
| <b>APPLIED STANDARDS</b>                  |                            |  |               |              |       |              |       |              |       |              |       |   |       |  |
| Safety Standards                          |                            | North America : UL60950-1 2nd ed. 2011-12-19   |               |              |       |              |       |              |       |              |       | Approved  |       |  |
|   |                            |  |               |              |       |              |       |              |       |              |       | : CAN/CSA-C22.2 No. 60950-1-07 2nd ed. 2011-12 Approved |       |  |
| <b>DIMENSION AND WEIGHT</b>               |                            |  |               |              |       |              |       |              |       |              |       |   |       |  |
| Appearance                                |                            | On-Board Type  |               |              |       |              |       |              |       |              |       |   |       |  |
| Dimension                                 | [mm] (HxWxD)               | 10 x 32 x 21.4   |               |              |       |              |       |              |       |              |       |   |       |  |
| Weight                                    | [g] Max.                   | 8  |               |              |       |              |       |              |       |              |       |   |       |  |
| <b>REFERENCE</b>                          |                            |  |               |              |       |              |       |              |       |              |       |   |       |  |
| M T B F                                   | [h]                        | ※10 564, 882, 39   |               | 564, 882, 39 |       | 564, 882, 39 |       | 564, 882, 39 |       | 570, 125, 43 |       | 570, 125, 43  |       |  |

- ※1 Reference : At cold start.
- ※2 Measured by Measured by a Bayonet type probe. Bandwidth DC-
- ※3 40.8 to 56[V] DC input voltage.
- ※4 At 48[V] DC , 0 to 100[%] load.
- ※5 Up to 8[h] after 1[h].
- ※6 At rated load , input voltage is changed between 40.8[V] DC and
- ※7 At 48[V] DC , load is changed between 25[%] and 75[%]
- ※8 ON : Apply DC2, 8V-Input Voltage between PIN "RC" and "OV"  
OFF: When PIN "RC" and "OV" is open  
Short the PIN "RC" and "+Input Voltage" when not using the RC function
- ※9 The hole size of the mother board have to be 1.3[φ], Solder  
(In Thickness 1.6[mm] CEM-3 mother board).  
Mother board have to be Non-resonated.
- ※10 Standard for recommended reliability estimation of components' count method of JEITA's switching power supply. According to

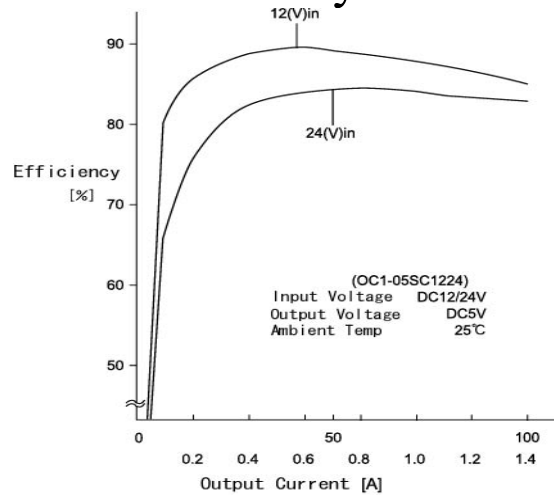




## Block Diagram



## Efficiency Curve





SPEC SHEET

| Subject                                     | Part number      | Old IC               | New IC             |
|---|------------------|----------------------|--------------------|
| <b>Rated Input current</b>                  | OC1-3. 3SC1224u1 | 550/250 [mA]         | 500/300 [mA]Max.   |
|   | OC1-05SC1224u1   | 800/350 [mA]         | 800/400 [mA]Max.   |
|   | OC1-06SC1224u1   | 950/450 [mA]         | 900/450 [mA]Max.   |
|   | OC1-3. 3SC2448u1 | 300/150 [mA]         | 300/150 [mA]Max.   |
|   | OC1-05SC2448u1   | 450/200 [mA]         | 400/200 [mA]Max.   |
|   | OC1-06SC2448u1   | 500/250 [mA]         | 450/250 [mA]Max.   |
|   | OC1-09SC2448u1   | 700/350 [mA]         | 650/350 [mA]Max.   |
|   | OC1-12SC2448u1   | 850/400 [mA]         | 800/400 [mA]Max.   |
|   | OC1-15SC2448u1   | 950/450 [mA]         | 850/450 [mA]Max.   |
|   | OC1-24SC48u1     | 750 [mA]             | 700 [mA]Max.       |
| <b>No load Rated Input current</b>          | OC1-3. 3SC1224u1 | 4/5 [mA]Typ.         | 10/11 [mA]Typ.     |
|   | OC1-05SC1224u1   | 5/3 [mA]Typ.         | 10/11 [mA]Typ.     |
|   | OC1-06SC1224u1   | 5/3 [mA]Typ.         | 10/11 [mA]Typ.     |
|   | OC1-3. 3SC2448u1 | 4/5 [mA]Typ.         | 11/13 [mA]Typ.     |
|   | OC1-05SC2448u1   | 2/2 [mA]Typ.         | 11/13 [mA]Typ.     |
|   | OC1-06SC2448u1   | 2/2 [mA]Typ.         | 11/13 [mA]Typ.     |
|   | OC1-09SC2448u1   | 3/2 [mA]Typ.         | 11/13 [mA]Typ.     |
|   | OC1-12SC2448u1   | 4/4 [mA]Typ.         | 12/13 [mA]Typ.     |
|   | OC1-15SC2448u1   | 6/4 [mA]Typ.         | 12/13 [mA]Typ.     |
|   | OC1-24SC48u1     | 4 [mA]Typ.           | 14 [mA]Typ.        |
| <b>Input current when RC is OFF</b>         | OC1-3. 3SC1224u1 | 0. 2/0. 56 [mA]Typ.  | 1/2 [μ A]Typ.      |
|   | OC1-05SC1224u1   | 0. 24/0. 6 [mA]Typ.  | 1/2 [μ A]Typ.      |
|   | OC1-06SC1224u1   | 0. 24/1. 15 [mA]Typ. | 1/2 [μ A]Typ.      |
|   | OC1-3. 3SC2448u1 | 0. 39/0. 9 [mA]Typ.  | 2/5 [μ A]Typ.      |
|   | OC1-05SC2448u1   | 0. 42/0. 93 [mA]Typ. | 2/5 [μ A]Typ.      |
|   | OC1-06SC2448u1   | 0. 42/0. 92 [mA]Typ. | 2/5 [μ A]Typ.      |
|   | OC1-09SC2448u1   | 0. 37/0. 9 [mA]Typ.  | 2/5 [μ A]Typ.      |
|   | OC1-12SC2448u1   | 0. 34/1. 47 [mA]Typ. | 2/5 [μ A]Typ.      |
|   | OC1-15SC2448u1   | 0. 27/1. 50 [mA]Typ. | 2/5 [μ A]Typ.      |
|   | OC1-24SC48u1     | 0. 56 [mA]Typ.       | 5 [μ A]Typ.        |
| <b>Input current leakage ripple voltage</b> | OC1-3. 3SC1224u1 | 1000/1000[mVp-p]Typ. | 500/500[mVp-p]Typ. |
|   | OC1-05SC1224u1   | 1000/1000[mVp-p]Typ. | 700/700[mVp-p]Typ. |
|   | OC1-06SC1224u1   | 1000/1000[mVp-p]Typ. | 700/700[mVp-p]Typ. |
|   | OC1-3. 3SC2448u1 | 700/1000[mVp-p]Typ.  | 500/500[mVp-p]Typ. |
|   | OC1-05SC2448u1   | 1000/1300[mVp-p]Typ. | 700/700[mVp-p]Typ. |
|   | OC1-06SC2448u1   | 1200/1800[mVp-p]Typ. | 700/700[mVp-p]Typ. |
|   | OC1-09SC2448u1   | 1500/2000[mVp-p]Typ. | 700/700[mVp-p]Typ. |
|   | OC1-12SC2448u1   | 1500/2000[mVp-p]Typ. | 800/800[mVp-p]Typ. |
|   | OC1-15SC2448u1   | 1500/2500[mVp-p]Typ. | 900/900[mVp-p]Typ. |
|   | OC1-24SC48u1     | 3000 [mVp-p]Typ.     | 1000 [mVp-p]Typ.   |





|  |                 |                     |                  |
|--|-----------------|---------------------|------------------|
| <b>Efficiency</b>                      | OC1-3.3SC1224u1 | 78/75 [%]Typ.       | 84/81 [%]Typ.    |
|  | OC1-05SC1224u1  | 84/82 [%]Typ.       | 89/87 [%]Typ.    |
|  | OC1-06SC1224u1  | 86/84 [%]Typ.       | 90/88 [%]Typ.    |
|  | OC1-3.3SC2448u1 | 74/69 [%]Typ.       | 79/74 [%]Typ.    |
|  | OC1-05SC2448u1  | 81/78 [%]Typ.       | 85/82 [%]Typ.    |
|  | OC1-06SC2448u1  | 84/80 [%]Typ.       | 87/83 [%]Typ.    |
|  | OC1-09SC2448u1  | 88/85 [%]Typ.       | 90/87 [%]Typ.    |
|  | OC1-12SC2448u1  | 91/88 [%]Typ.       | 93/90 [%]Typ.    |
|  | OC1-15SC2448u1  | 93/90 [%]Typ.       | 95/92 [%]Typ.    |
|  | OC1-24SC48u1    | 93 [%]Typ.          | 95 [%]Typ.       |
| <b>Dynamic Load Voltage</b>            | OC1-3.3SC1224u1 | ±500[mV]Max.        | ±500[mV]Max.     |
|  | OC1-05SC1224u1  | ±600[mV]Max.        | ±1000[mV]Max.    |
|  | OC1-06SC1224u1  | ±600[mV]Max.        | ±1000[mV]Max.    |
|  | OC1-3.3SC2448u1 | ±500[mV]Max.        | ±500[mV]Max.     |
|  | OC1-05SC2448u1  | ±600[mV]Max.        | ±1000[mV]Max.    |
|  | OC1-06SC2448u1  | ±600[mV]Max.        | ±1000[mV]Max.    |
|  | OC1-09SC2448u1  | ±600[mV]Max.        | ±1500[mV]Max.    |
|  | OC1-12SC2448u1  | ±1000[mV]Max.       | ±1500[mV]Max.    |
|  | OC1-15SC2448u1  | ±1000[mV]Max.       | ±1500[mV]Max.    |
|  | OC1-24SC48u1    | ±400[mV]Max.        | ±1500[mV]Max.    |
| <b>Remote Control (Add voltage ON)</b> | All model       | ON when 4.5-56V     | ON when 2.8-56V  |
| <b>Remote Control Current</b>          | All model       | 150~1800 [ $\mu$ A] | 5~500 [ $\mu$ A] |
| <b>Block Diagram</b>                   | All model       |                     | See attached     |





Компания «ЭлектроПласт» предлагает заключение долгосрочных отношений при поставках импортных электронных компонентов на взаимовыгодных условиях!

Наши преимущества:

- Оперативные поставки широкого спектра электронных компонентов отечественного и импортного производства напрямую от производителей и с крупнейших мировых складов;
- Поставка более 17-ти миллионов наименований электронных компонентов;
- Поставка сложных, дефицитных, либо снятых с производства позиций;
- Оперативные сроки поставки под заказ (от 5 рабочих дней);
- Экспресс доставка в любую точку России;
- Техническая поддержка проекта, помощь в подборе аналогов, поставка прототипов;
- Система менеджмента качества сертифицирована по Международному стандарту ISO 9001;
- Лицензия ФСБ на осуществление работ с использованием сведений, составляющих государственную тайну;
- Поставка специализированных компонентов (Xilinx, Altera, Analog Devices, Intersil, Interpoint, Microsemi, Aeroflex, Peregrine, Syfer, Eurofarad, Texas Instrument, Miteq, Cobham, E2V, MA-COM, Hittite, Mini-Circuits, General Dynamics и др.);

Помимо этого, одним из направлений компании «ЭлектроПласт» является направление «Источники питания». Мы предлагаем Вам помощь Конструкторского отдела:

- Подбор оптимального решения, техническое обоснование при выборе компонента;
- Подбор аналогов;
- Консультации по применению компонента;
- Поставка образцов и прототипов;
- Техническая поддержка проекта;
- Защита от снятия компонента с производства.



#### Как с нами связаться

**Телефон:** 8 (812) 309 58 32 (многоканальный)

**Факс:** 8 (812) 320-02-42

**Электронная почта:** [org@eplast1.ru](mailto:org@eplast1.ru)

**Адрес:** 198099, г. Санкт-Петербург, ул. Калинина, дом 2, корпус 4, литера А.