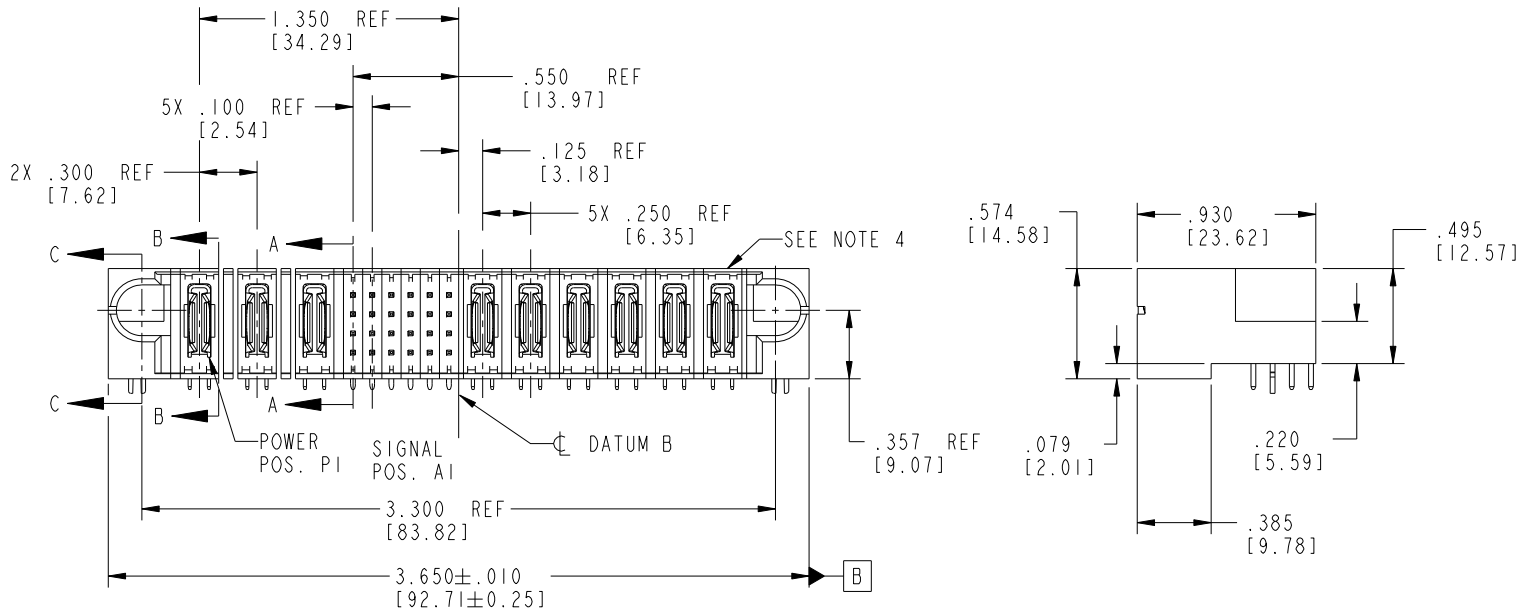
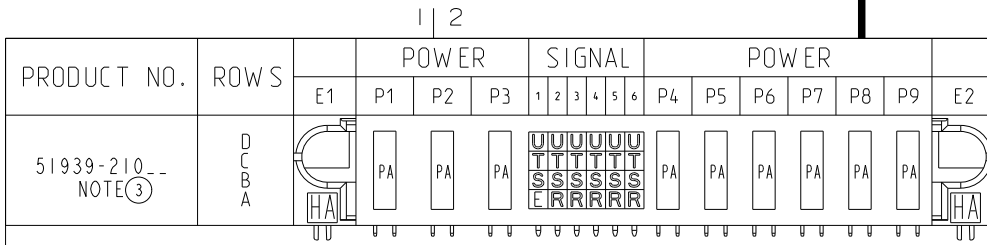


Tous droits strictement réservés. Reproduction ou communication a des tiers interdite sous quelque forme que ce soit sans autorisation écrite du propriétaire. Propriété de c FCI. Droits de reproduction FCI.

All rights strictly reserved. Reproduction or issue to third parties in any form whatever is not permitted without written authority from the proprietor. Property of FCI. Copyright FCI.



| CODE | DIM "M"<br>MATING<br>LENGTH | CONTACT<br>TYPE |
|------|-----------------------------|-----------------|
| U    | .270 [6.86]                 | SIGNAL          |
| T    | .270 [6.86]                 | SIGNAL          |
| S    | .270 [6.86]                 | SIGNAL          |
| R    | .270 [6.86]                 | SIGNAL          |
| E    | .220 [5.59]                 | SIGNAL          |
| PA   | N/A [N/A]                   | POWER           |
| HA   | N/A [N/A]                   | HOLD-DOWN       |

|             |           |                |          |            |                        |                                       |            |          |                           |                        |  |
|-------------|-----------|----------------|----------|------------|------------------------|---------------------------------------|------------|----------|---------------------------|------------------------|--|
| mat'l code  |           |                |          | SEE NOTE 2 |                        | tolerances unless otherwise specified |            | CUSTOMER |                           | <br>www.fciconnect.com |  |
| ltr         | ecn no.   | dr             | date     | linear     | .XX±.01/0.X±0.3        |                                       | COPY       |          | title                     |                        |  |
| A           | DG05-0410 | CS             | 10/24/05 |            | .XXX±.005/0.XX±0.13    |                                       | projection |          | 3ACP + 24S + 6P           |                        |  |
| B           | DG06-0013 | RYAN           | 01/27/06 |            | .XXX±.0020/0.XXX±0.051 |                                       |            |          | RIGHT ANGLE SOLDER HEADER |                        |  |
| C           | DG08-0272 | W D            | 09/25/08 | angles     | 0° ± 2°                |                                       |            |          | product family            |                        |  |
|             |           |                |          | dr         | CS                     | 10/24/05                              | INCH/MM    |          | PwrBlade                  |                        |  |
|             |           |                |          | enrg       | STEVEN WANG            | 10/24/05                              | scale      |          | code                      |                        |  |
|             |           |                |          | chr        | VICTOR LIN             | 10/24/05                              | 1:1        |          | 213                       |                        |  |
|             |           |                |          | appd       | JOSEPH HSIA            | 10/24/05                              |            |          | sheet                     |                        |  |
| sheet index |           | revision sheet |          | C          | C                      | C                                     |            |          | 1 of 4                    |                        |  |
|             |           | 1              | 2        | 3          | 4                      |                                       |            |          |                           |                        |  |

B

B

1 | 2

Pro/E

PDM: Rev: C

STATUS: Released

Printed: Dec 20, 2010

cage code 28526

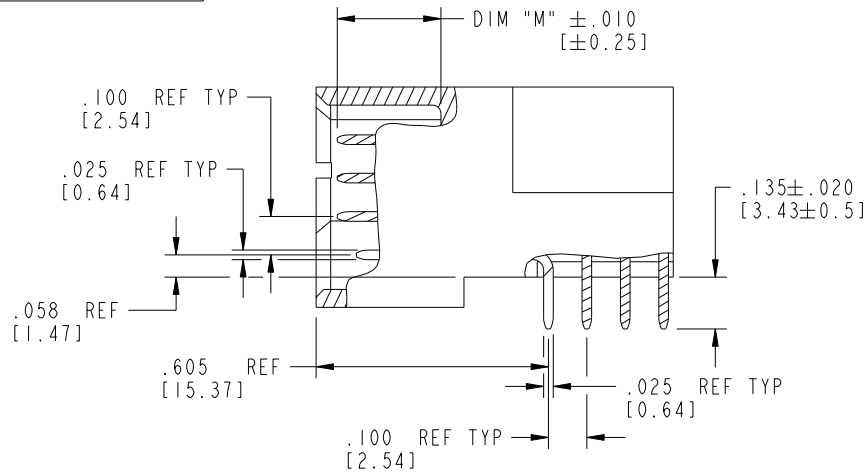
4

Tous droits strictement réservés. Reproduction ou communication a des tiers interdite sous quelque forme que ce soit sans autorisation écrite du propriétaire. Propriété de c FCI. Droits de reproduction FCI.

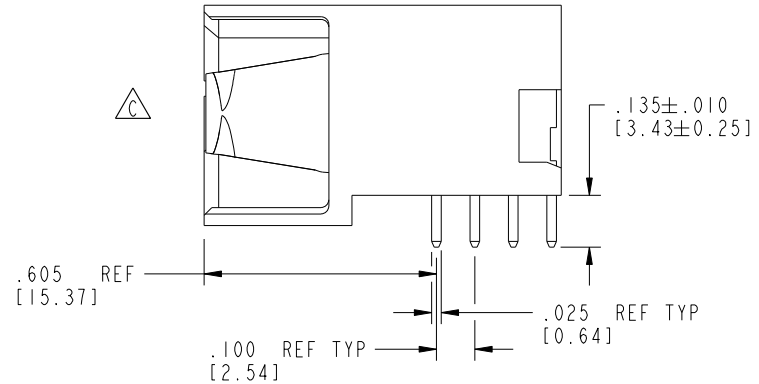
All rights strictly reserved. Reproduction or issue to third parties in any form whatever is not permitted without written authority from the proprietor. Property of FCI. Copyright FCI.



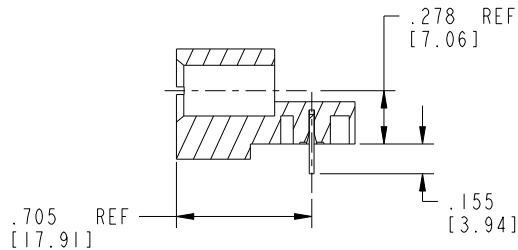
PRODUCT NUMBER  
51939-210--  
NOTE ③



BROKEN-OUT SECTION A-A  
SCALE 2:1



BROKEN-OUT SECTION B-B  
SCALE 2:1



SECTION C-C

|             |                |            |      |                                       |                        |           |  |                              |  |
|-------------|----------------|------------|------|---------------------------------------|------------------------|-----------|--|------------------------------|--|
| mat'l code  |                | SEE NOTE 2 |      | tolerances unless otherwise specified |                        | CUSTOMER  |  | FCI                          |  |
| lir         | ecn no.        | dr         | date | linear                                | .XX±.01/0.X±0.3        | COPY      |  | www.fciconnect.com           |  |
| C           |                |            |      | projection                            | .XX±.005/0.XX±0.13     | INCH/MM   |  | title 3ACP + 24S + 6P        |  |
|             |                |            |      | angles                                | .XXX±.0020/0.XXX±0.051 | 1:1       |  | RIGHT ANGLE SOLDER HEADER    |  |
|             |                |            |      | dr                                    | 0°±2°                  | scale     |  | product family PwrBlade code |  |
|             |                |            |      | engr                                  | CS 10/24/05            | A         |  | size 213                     |  |
|             |                |            |      | chr                                   | STEVEN WANG 10/24/05   | 51939-210 |  | sheet                        |  |
|             |                |            |      | appd                                  | VICTOR LIN 10/24/05    |           |  | 2 of 4                       |  |
|             |                |            |      |                                       | JOSEPH HSIA 10/24/05   |           |  |                              |  |
| sheet index | revision sheet |            |      |                                       |                        |           |  |                              |  |

cage code 22516

Pro/E

PDM: Rev:C

STATUS: Released

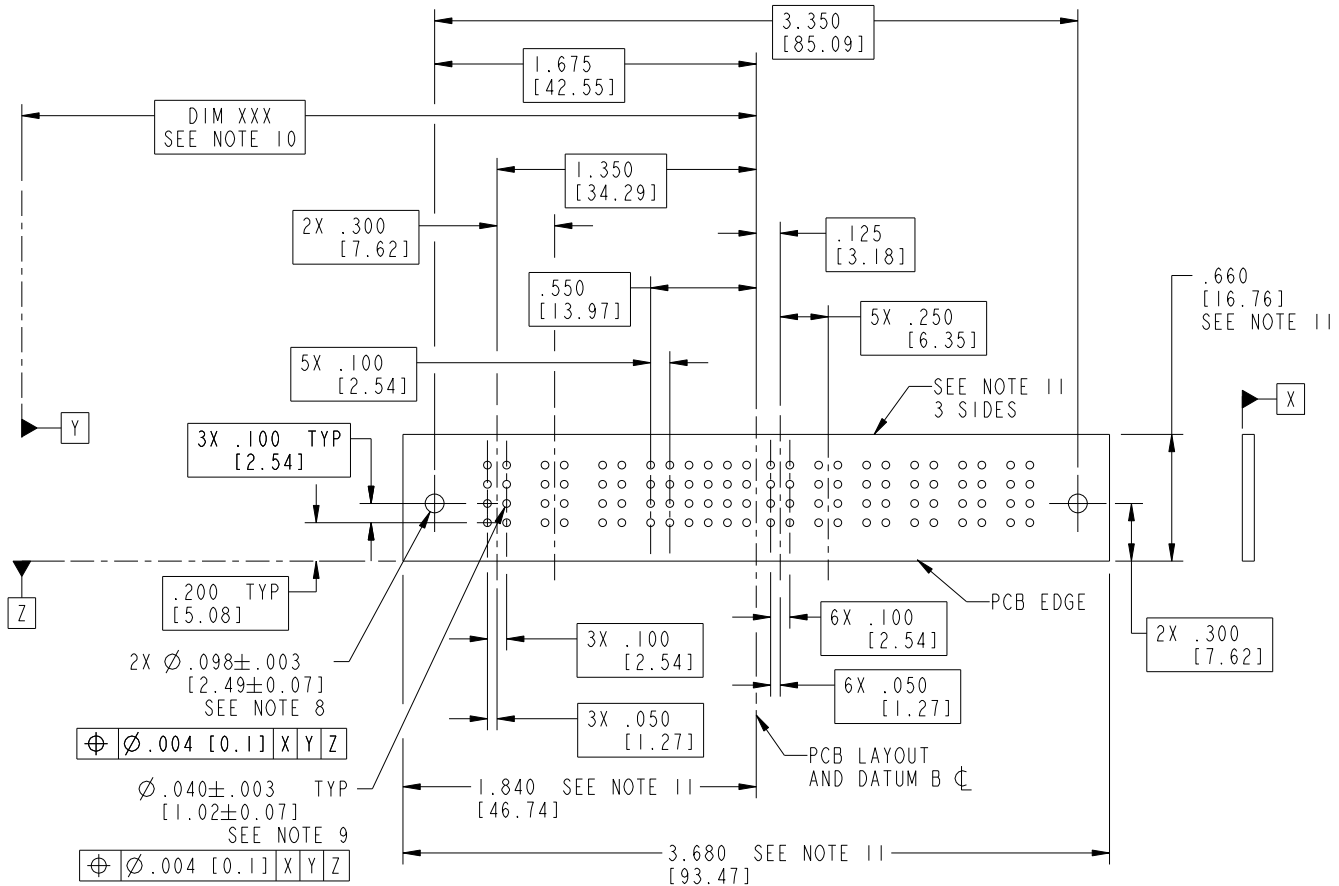
Printed: Dec 20, 2010

Tous droits strictement réservés. Reproduction ou communication a des tiers interdite sous quelque forme que ce soit sans autorisation écrite du propriétaire. Propriété de c FCI. Droits de reproduction FCI.



All rights strictly reserved. Reproduction or issue to third parties in any form whatever is not permitted without written authority from the proprietor. Property of FCI. Copyright FCI.

PRODUCT NUMBER  
51939-210--  
NOTE ③



RECOMMENDED PCB LAYOUT

|             |                |            |      |                                       |                       |            |  |                           |  |
|-------------|----------------|------------|------|---------------------------------------|-----------------------|------------|--|---------------------------|--|
| mat'l code  |                | SEE NOTE 2 |      | tolerances unless otherwise specified |                       | CUSTOMER   |  | <br>www.fciconnect.com    |  |
| lfr         | ecn no.        | dr         | date | linear                                | .XX±.01/0.X±0.3       | COPY       |  | title                     |  |
| C           |                |            |      | angles                                | .XX±.005/0.XX±0.13    | projection |  | 3ACP + 24S + 6P           |  |
|             |                |            |      | dr                                    | .XXX±.002/0.XXX±0.051 |            |  | RIGHT ANGLE SOLDER HEADER |  |
|             |                |            |      | engr                                  | 0°±2°                 | INCH/MM    |  | product family            |  |
|             |                |            |      | chr                                   | CS 10/24/05           | scale      |  | PwrBlade                  |  |
|             |                |            |      | appd                                  | STEVEN WANG 10/24/05  | 1:1        |  | code                      |  |
|             |                |            |      |                                       | VICTOR LIN 10/24/05   |            |  | size                      |  |
|             |                |            |      |                                       | JOSEPH HSIA 10/24/05  |            |  | dwg no                    |  |
| sheet index | revision sheet |            |      |                                       |                       |            |  | A 51939-210               |  |
|             |                |            |      |                                       |                       |            |  | 213                       |  |
|             |                |            |      |                                       |                       |            |  | sheet                     |  |
|             |                |            |      |                                       |                       |            |  | 3 of 4                    |  |

Pro/E

PDM: Rev: C

STATUS: Released

Printed: Dec 20, 2010

cage code 28556

Tous droits strictement réservés. Reproduction ou communication a des tiers interdite sous quelque forme que ce soit sans autorisation écrite du propriétaire. Propriété de c FCI. Droits de reproduction FCI.



All rights strictly reserved. Reproduction or issue to third parties in any form whatever is not permitted without written authority from the proprietor. Property of FCI. Copyright FCI.

1 | 2

3

4

PRODUCT NUMBER  
51939-210--  
NOTE ③

NOTES:

1. DIMENSIONS AND TOLERANCES ARE IN ACCORDANCE WITH ASME Y14.5M, 1994 UNLESS OTHERWISE SPECIFIED.

CONNECTOR NOTES:

- ② HOUSING MATERIAL: UL 94 V-0 GLASS FILLED HIGH-TEMP THERMOPLASTIC  
POWER CONTACT MATERIAL: COPPER ALLOY  
SIGNAL PIN MATERIAL: COPPER ALLOY
  - △ 3. SEE ITEM 1 & 2 IN PRINT 10064183 FOR PLATING SPEC OF 51939-210 AND 51939-210LF RESPECTIVELY.
  - ④ MANUFACTURER'S NAME, P/N, AND DATE CODE TO APPEAR ON THIS SURFACE.
  - 5. PRODUCT SPECIFICATION GS-12-149.  
APPLICATION SPECIFICATION BUS-20-067.
  - 6. PACKAGED IN TRAYS.
- PCB NOTES:
- 7. ALL HOLE DIAMETERS ARE FINISHED HOLE SIZE.
  - ⑧ MOUNTING HOLES, WHERE APPLICABLE, ARE UNPLATED.
  - ⑨  $\varnothing .0453 \pm .0010$  [ $1.151 \pm 0.025$ ] DRILLED HOLES PLATED WITH  
.0003 [0.008] MIN SnPb OVER .001 [0.03]  
TO .003 [0.08] Cu PLATING TO ACHIEVE  
 $\varnothing .040 \pm .003$  [ $1.02 \pm .07$ ] HOLE.
  - ⑩ "DIM XXX" TO BE DETERMINED BY THE CUSTOMER.
  - ⑪ CONNECTOR KEEP-OUT ZONE.
  - 12. △/C SYMBOL WILL BE NEXT TO ANY DIMENSION, VIEW, OR NOTE WHICH HAS BEEN MODIFIED WITH THE CURRENT DRAWING REVISION.

|             |                |            |      |                                       |                        |           |  |                           |  |
|-------------|----------------|------------|------|---------------------------------------|------------------------|-----------|--|---------------------------|--|
| mat'l code  |                | SEE NOTE 2 |      | tolerances unless otherwise specified |                        | CUSTOMER  |  | FCI                       |  |
| ltr         | ecn no.        | dr         | date | linear                                | .XX±.01/0.X±0.3        | COPY      |  | www.fciconnect.com        |  |
| C           |                |            |      | projection                            | .XXX±.005/0.XX±0.13    |           |  | title 3ACP + 24S + 6P     |  |
|             |                |            |      | angles                                | .XXX±.0020/0.XXX±0.051 |           |  | RIGHT ANGLE SOLDER HEADER |  |
|             |                |            |      | dr                                    | 0°+2°                  | INCH/MM   |  | product family PwrBlade   |  |
|             |                |            |      | engr                                  | CS 10/24/05            | scale 1:1 |  | code 213                  |  |
|             |                |            |      | chr                                   | STEVEN WANG 10/24/05   | A         |  | size 51939-210            |  |
|             |                |            |      | appd                                  | VICTOR LIN 10/24/05    |           |  | sheet 4 of 4              |  |
|             |                |            |      |                                       | JOSEPH HSIA 10/24/05   |           |  |                           |  |
| sheet index | revision sheet |            |      |                                       |                        |           |  |                           |  |

1 | 2

Pro/E

PDM: Rev: C

STATUS: Released

Printed: Dec 20, 2010

A

A

B

B

cage code 22526

4



Компания «ЭлектроПласт» предлагает заключение долгосрочных отношений при поставках импортных электронных компонентов на взаимовыгодных условиях!

Наши преимущества:

- Оперативные поставки широкого спектра электронных компонентов отечественного и импортного производства напрямую от производителей и с крупнейших мировых складов;
- Поставка более 17-ти миллионов наименований электронных компонентов;
- Поставка сложных, дефицитных, либо снятых с производства позиций;
- Оперативные сроки поставки под заказ (от 5 рабочих дней);
- Экспресс доставка в любую точку России;
- Техническая поддержка проекта, помощь в подборе аналогов, поставка прототипов;
- Система менеджмента качества сертифицирована по Международному стандарту ISO 9001;
- Лицензия ФСБ на осуществление работ с использованием сведений, составляющих государственную тайну;
- Поставка специализированных компонентов (Xilinx, Altera, Analog Devices, Intersil, Interpoint, Microsemi, Aeroflex, Peregrine, Syfer, Eurofarad, Texas Instrument, Miteq, Cobham, E2V, MA-COM, Hittite, Mini-Circuits, General Dynamics и др.);

Помимо этого, одним из направлений компании «ЭлектроПласт» является направление «Источники питания». Мы предлагаем Вам помощь Конструкторского отдела:

- Подбор оптимального решения, техническое обоснование при выборе компонента;
- Подбор аналогов;
- Консультации по применению компонента;
- Поставка образцов и прототипов;
- Техническая поддержка проекта;
- Защита от снятия компонента с производства.



#### Как с нами связаться

**Телефон:** 8 (812) 309 58 32 (многоканальный)

**Факс:** 8 (812) 320-02-42

**Электронная почта:** [org@eplast1.ru](mailto:org@eplast1.ru)

**Адрес:** 198099, г. Санкт-Петербург, ул. Калинина, дом 2, корпус 4, литера А.