



Is Now Part of



**ON Semiconductor®**

To learn more about ON Semiconductor, please visit our website at  
[www.onsemi.com](http://www.onsemi.com)

Please note: As part of the Fairchild Semiconductor integration, some of the Fairchild orderable part numbers will need to change in order to meet ON Semiconductor's system requirements. Since the ON Semiconductor product management systems do not have the ability to manage part nomenclature that utilizes an underscore (\_), the underscore (\_) in the Fairchild part numbers will be changed to a dash (-). This document may contain device numbers with an underscore (\_). Please check the ON Semiconductor website to verify the updated device numbers. The most current and up-to-date ordering information can be found at [www.onsemi.com](http://www.onsemi.com). Please email any questions regarding the system integration to [Fairchild\\_questions@onsemi.com](mailto:Fairchild_questions@onsemi.com).

ON Semiconductor and the ON Semiconductor logo are trademarks of Semiconductor Components Industries, LLC dba ON Semiconductor or its subsidiaries in the United States and/or other countries. ON Semiconductor owns the rights to a number of patents, trademarks, copyrights, trade secrets, and other intellectual property. A listing of ON Semiconductor's product/patent coverage may be accessed at [www.onsemi.com/site/pdf/Patent-Marking.pdf](http://www.onsemi.com/site/pdf/Patent-Marking.pdf). ON Semiconductor reserves the right to make changes without further notice to any products herein. ON Semiconductor makes no warranty, representation or guarantee regarding the suitability of its products for any particular purpose, nor does ON Semiconductor assume any liability arising out of the application or use of any product or circuit, and specifically disclaims any and all liability, including without limitation special, consequential or incidental damages. Buyer is responsible for its products and applications using ON Semiconductor products, including compliance with all laws, regulations and safety requirements or standards, regardless of any support or applications information provided by ON Semiconductor. "Typical" parameters which may be provided in ON Semiconductor data sheets and/or specifications can and do vary in different applications and actual performance may vary over time. All operating parameters, including "Typicals" must be validated for each customer application by customer's technical experts. ON Semiconductor does not convey any license under its patent rights nor the rights of others. ON Semiconductor products are not designed, intended, or authorized for use as a critical component in life support systems or any FDA Class 3 medical devices or medical devices with a same or similar classification in a foreign jurisdiction or any devices intended for implantation in the human body. Should Buyer purchase or use ON Semiconductor products for any such unintended or unauthorized application, Buyer shall indemnify and hold ON Semiconductor and its officers, employees, subsidiaries, affiliates, and distributors harmless against all claims, costs, damages, and expenses, and reasonable attorney fees arising out of, directly or indirectly, any claim of personal injury or death associated with such unintended or unauthorized use, even if such claim alleges that ON Semiconductor was negligent regarding the design or manufacture of the part. ON Semiconductor is an Equal Opportunity/Affirmative Action Employer. This literature is subject to all applicable copyright laws and is not for resale in any manner.

# FSA3357

## Low Voltage SP3T Analog Switch (3:1 Multiplexer/Demultiplexer)

### General Description

The FSA3357 is a high performance, single-pole/triple-throw (SP3T) Analog Switch or 3:1 Multiplexer/Demultiplexer. The device is fabricated with advanced sub-micron CMOS technology to achieve high speed enable and disable times and low On Resistance. The break before make select circuitry prevents disruption of signals on the B<sub>0</sub>, B<sub>1</sub>, or B<sub>2</sub> Ports due to the switches temporarily being enabled during select pin switching. The device is specified to operate over the 1.65 to 5.5V V<sub>CC</sub> operating range. The control input tolerates voltages up to 5.5V independent of the V<sub>CC</sub> operating range.

### Features

- Useful in both analog and digital applications
- Space saving US8 8-lead surface mount package
- Low On Resistance; < 9Ω on typ @ 3.3V V<sub>CC</sub>
- Broad V<sub>CC</sub> operating range; 1.65V to 5.5V
- Rail-to-Rail signal handling
- Power down high impedance control input
- Overvoltage tolerance of control input to 7.0V
- Break before make enable circuitry
- 250 MHz - 3dB bandwidth
- Space saving Pb-Free MicroPak™ packaging

### Applications

- Cell Phone
- PDA
- Video

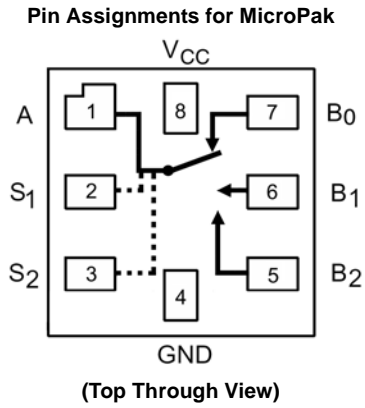
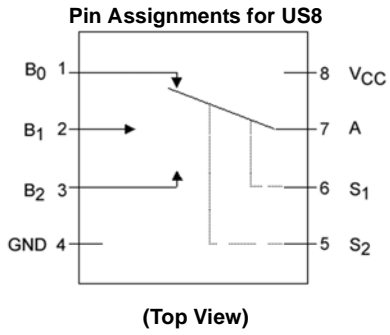
### Ordering Code:

Product Order Number	Package Number	Code Top Mark	Package Description	Supplied As
FSA3357K8X	MAB08A	A357	8-Lead US8, JEDEC MO-187, Variation CA 3.1mm Wide	3k Units on Tape and Reel
FSA3357L8X	MAC08A	FE	Pb-Free 8-Lead MicroPak, 1.6 mm Wide	5k Units on Tape and Reel

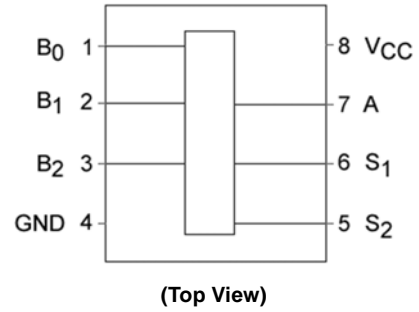
Pb-Free package per JEDEC J-STD-020B.

MicroPak™ is a trademark of Fairchild Semiconductor Corporation.

### Analog Symbols



### Connection Diagram



### Pin Descriptions

Pin Names	Description
A <sub>1</sub> , B <sub>0</sub> , B <sub>1</sub> , B <sub>2</sub>	Data Ports
S <sub>1</sub> , S <sub>2</sub>	Control Input

### Function Table

S <sub>1</sub>	S <sub>2</sub>	Function
0	0	No Connection
1	0	B <sub>0</sub> Connected to A
0	1	B <sub>1</sub> Connected to A
1	1	B <sub>2</sub> Connected to A

**Absolute Maximum Ratings**(Note 1)

Supply Voltage ( $V_{CC}$ )	-0.5V to +7.0V
DC Switch Voltage ( $V_S$ ) (Note 2)	-0.5V to $V_{CC}$ +0.5V
DC Input Voltage ( $V_{IN}$ ) (Note 2)	-0.5V to +7.0V
DC Input Diode Current ( $I_{IK}$ )	
@ ( $I_{IK}$ ) $V_{IN} < 0V$	-50 mA
DC Output Current ( $I_{OUT}$ )	128 mA
DC $V_{CC}$ or Ground Current ( $I_{CC}/I_{GND}$ )	±100 mA
Storage Temperature Range ( $T_{STG}$ )	-65°C to +150°C
Junction Temperature under Bias ( $T_J$ )	150°C
Junction Lead Temperature ( $T_L$ )	
(Soldering, 10 seconds)	260°C
Power Dissipation ( $P_D$ ) @ +85°C	180 mW

**Recommended Operating Conditions**

(Note 3)

Supply Voltage Operating ( $V_{CC}$ )	1.65V to 5.5V
Control Input Voltage ( $V_{IN}$ )	0V to $V_{CC}$
Switch Input Voltage ( $V_{IN}$ )	0V to $V_{CC}$
Output Voltage ( $V_{OUT}$ )	0V to $V_{CC}$
Operating Temperature ( $T_A$ )	-40°C to +85°C
Input Rise and Fall Time ( $t_r, t_f$ )	
Control Input $V_{CC} = 2.3V - 3.6V$	0 ns/V to 10 ns/V
Control Input $V_{CC} = 4.5V - 5.5V$	0 ns/V to 5 ns/V
Thermal Resistance ( $\theta_{JA}$ )	250°C/W
MicroPak 8L Package	224°C/W

**Note 1:** Absolute maximum ratings are DC values beyond which the device may be damaged or have its useful life impaired. The datasheet specifications should be met, without exception, to ensure that the system design is reliable over its power supply, temperature, and output/input loading variables. Fairchild does not recommend operation outside datasheet specifications.

**Note 2:** The input and output negative voltage ratings may be exceeded if the input and output diode current ratings are observed.

**Note 3:** Control inputs must be held HIGH or LOW, they must not float.

**DC Electrical Characteristics**

Symbol	Parameter	$V_{CC}$ (V)	$T_A = +25^\circ\text{C}$			$T_A = -40^\circ\text{C to } +85^\circ\text{C}$		Units	Conditions
			Min	Typ	Max	Min	Max		
$V_{IH}$	HIGH Level Input Voltage	1.65 – 1.95	0.75 $V_{CC}$			0.75 $V_{CC}$		V	
		2.3 – 5.5	0.7 $V_{CC}$			0.7 $V_{CC}$			
$V_{IL}$	LOW Level Input Voltage	1.65 – 1.95	0.25 $V_{CC}$			0.25 $V_{CC}$		V	
		2.3 – 5.5	0.3 $V_{CC}$			0.3 $V_{CC}$			
$I_{IN}$	Input Leakage Current	0 – 5.5	±0.1			±1.0		µA	$0 \leq V_{IN} \leq 5.5V$
$I_{OFF}$	OFF State Leakage Current	1.65 – 5.5	±0.1			±1.0		µA	$0 \leq A, B_n \leq V_{CC}$
$R_{ON}$	Switch On Resistance (Note 4)	4.5	5.0		7.0	7.0		Ω	$V_{IN} = 0V, I_O = 30\text{ mA}$
			6.0		12.0	12.0			$V_{IN} = 2.4V, I_O = -30\text{ mA}$
			7.0		15.0	15.0			$V_{IN} = 4.5V, I_O = -30\text{ mA}$
		3.0	6.5		9.0	9.0			$V_{IN} = 0V, I_O = 24\text{ mA}$
			9.0		20.0	20.0			$V_{IN} = 3V, I_O = -24\text{ mA}$
			8.0		12.0	12.0			$V_{IN} = 0V, I_O = 8\text{ mA}$
		2.3	11.0		30.0	30.0			$V_{IN} = 2.3V, I_O = -8\text{ mA}$
			10.0		20.0	20.0			$V_{IN} = 0V, I_O = 4\text{ mA}$
			17.0		50.0	50.0			$V_{IN} = 1.65V, I_O = -4\text{ mA}$
$I_{CC}$	Quiescent Supply Current All Channels ON or OFF	5.5	1.0			10.0		µA	$V_{IN} = V_{CC}$ or GND $I_{OUT} = 0$
ASR	Analog Signal Range	$V_{CC}$	0.0	$V_{CC}$		0.0	$V_{CC}$	V	
$\Delta R_{ON}$	On Resistance Match Between Channels (Note 4)(Note 5)(Note 6)	4.5	0.15					Ω	$I_A = -30\text{ mA}, V_{Bn} = 3.15$
		3.0	0.22						$I_A = -24\text{ mA}, V_{Bn} = 2.1$
		2.3	0.31						$I_A = -8\text{ mA}, V_{Bn} = 1.6$
		1.65	0.62						$I_A = -4\text{ mA}, V_{Bn} = 1.15$
$R_{flat}$	On Resistance Flatness (Note 4)(Note 5)(Note 7)	5.0	6.0					Ω	$I_A = -30\text{ mA}, 0 \leq V_{Bn} \leq V_{CC}$
		3.3	12.0						$I_A = -24\text{ mA}, 0 \leq V_{Bn} \leq V_{CC}$
		2.5	40.0						$I_A = -8\text{ mA}, 0 \leq V_{Bn} \leq V_{CC}$
		1.8	140.0						$I_A = -4\text{ mA}, 0 \leq V_{Bn} \leq V_{CC}$

## DC Electrical Characteristics (Continued)

**Note 4:** Measured by the voltage drop between A and B<sub>n</sub> pins at the indicated current through the switch. On Resistance is determined by the lower of the voltages on the two (A or B<sub>n</sub> Ports).

**Note 5:** Parameter is characterized but not tested in production.

**Note 6:**  $\Delta R_{ON} = R_{ON\ max} - R_{ON\ min}$  measured at identical V<sub>CC</sub>, temperature and voltage levels.

**Note 7:** Flatness is defined as the difference between the maximum and minimum value of On Resistance over the specified range of conditions.

## AC Electrical Characteristics

Symbol	Parameter	V <sub>CC</sub> (V)	T <sub>A</sub> = +25°C			T <sub>A</sub> = -40°C to +85°C		Units	Conditions	Figure Number
			Min	Typ	Max	Min	Max			
t <sub>PHL</sub>	Propagation Delay Bus to Bus (Note 8)	1.65 – 1.95	2.0					ns	V <sub>I</sub> = OPEN	Figures 1, 2
t <sub>PLH</sub>		2.3 – 2.7	1.1							
		3.0 – 3.6	0.7							
		4.5 – 5.5	0.4							
t <sub>PZL</sub>	Output Enable Time Turn on Time (A to B <sub>n</sub> )	1.65 – 1.95	5.0		32.0	5.0	34.0	ns	V <sub>I</sub> = 2 x V <sub>CC</sub> for t <sub>PZL</sub> V <sub>I</sub> = 0V for t <sub>PZH</sub>	Figures 1, 2
t <sub>PZH</sub>		2.3 – 2.7	3.0		15.0	3.0	16.5			
		3.0 – 3.6	2.0		9.5	2.0	11.0			
		4.5 – 5.5	1.5		6.5	1.5	7.0			
t <sub>PLZ</sub>	Output Disable Time Turn Off Time (A Port to B <sub>n</sub> Port)	1.65 – 1.95	3.0		14.0	3.0	14.5	ns	V <sub>I</sub> = 2 x V <sub>CC</sub> for t <sub>PLZ</sub> V <sub>I</sub> = 0V for t <sub>PHZ</sub>	Figures 1, 2
t <sub>PHZ</sub>		2.3 – 2.7	2.0		7.2	2.0	7.8			
		3.0 – 3.6	1.5		5.1	1.5	5.5			
		4.5 – 5.5	0.8		3.7	0.8	4.0			
t <sub>B-M</sub>	Break Before Make Time (Note 9)	1.65 – 1.95	0.5			0.5		ns		Figure 3
		2.3 – 2.7	0.5			0.5				
		3.0 – 3.6	0.5			0.5				
		4.5 – 5.5	0.5			0.5				
Q	Charge Injection (Note 9)	5.0		3.0				pC	C <sub>L</sub> = 0.1 nF, V <sub>GEN</sub> = 0V R <sub>GEN</sub> = 0Ω	Figure 4
		3.3		2.0						
OIRR	Off Isolation (Note 10)	1.65 – 5.5		-58.0				dB	R <sub>L</sub> = 50Ω f = 10MHz	Figure 5
Xtalk	Crosstalk	1.65 – 5.5		-60.0				dB	R <sub>L</sub> = 50Ω f = 10MHz	Figure 6
BW	-3dB Bandwidth	1.65 – 5.5		250.0				MHz	R <sub>L</sub> = 50Ω	Figure 9
THD	Total Harmonic Distortion (Note 9)	5.0		.01				%	R <sub>L</sub> = 600Ω 0.5 V <sub>P-P</sub> f = 600 Hz to 20 KHz	

**Note 8:** This parameter is guaranteed by design but not tested. The bus switch contributes no propagation delay other than the RC delay of the On Resistance of the switch and the 50 pF load capacitance, when driven by an ideal voltage source (zero output impedance).

**Note 9:** Guaranteed by Design.

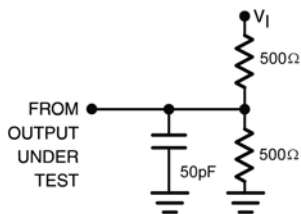
**Note 10:** Off Isolation = 20 log<sub>10</sub> [V<sub>A</sub> / V<sub>Bn</sub>]

## Capacitance (Note 11)

Symbol	Parameter	Typ	Max	Units	Conditions	Figure Number
C <sub>IN</sub>	Control Pin Input Capacitance	2.0		pF	V <sub>CC</sub> = 0V	
C <sub>IO-B</sub>	B Port Off Capacitance	3.6		pF	V <sub>CC</sub> = 5.0V	Figure 7
C <sub>IOA-ON</sub>	A Port Capacitance When Switch Is Enabled	14.5		pF	V <sub>CC</sub> = 5.0V	Figure 8

**Note 11:** T<sub>A</sub> = +25°C, f = 1 MHz, Capacitance is characterized but not tested in production.

## AC Loading and Waveforms

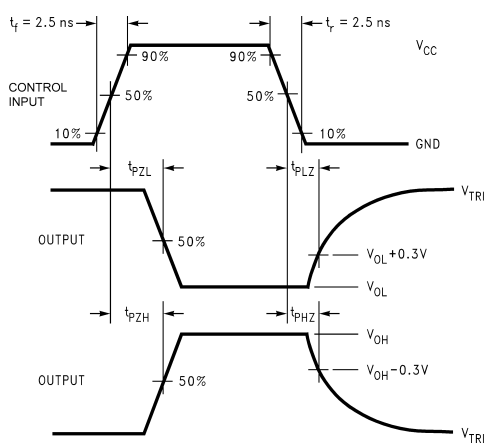
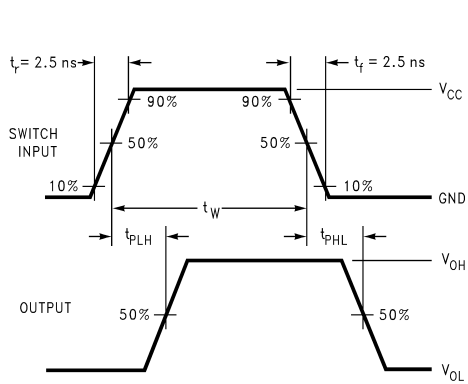


**Note:** Input driven by 50Ω source terminated in 50Ω

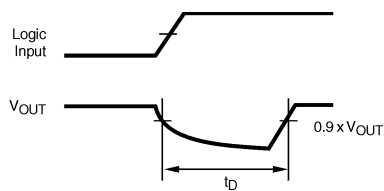
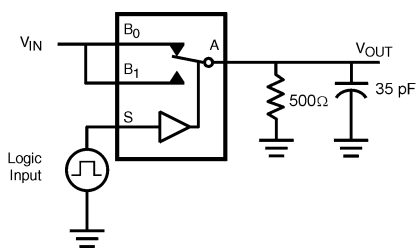
**Note:**  $C_L$  includes load and stray capacitance

**Note:** Input PRR = 1.0 MHz;  $t_W$  = 500 ns

**FIGURE 1. AC Test Circuit**



**FIGURE 2. AC Waveforms**



**FIGURE 3. Break Before Make Interval Timing**

AC Loading and Waveforms (Continued)

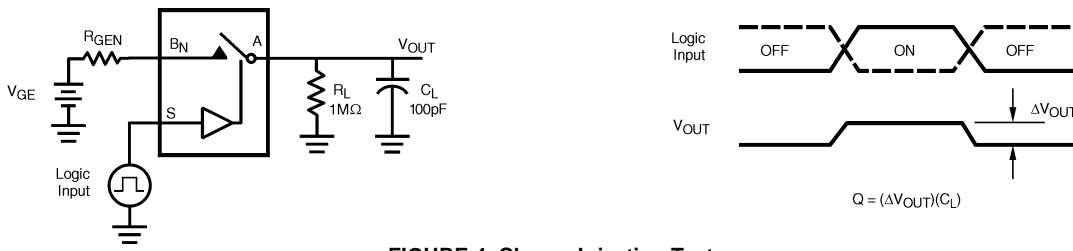


FIGURE 4. Charge Injection Test

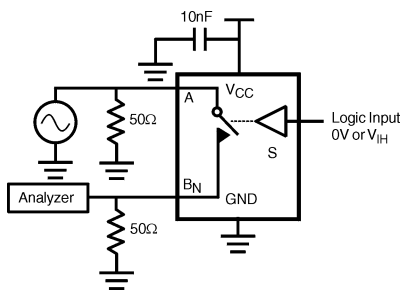


FIGURE 5. Off Isolation

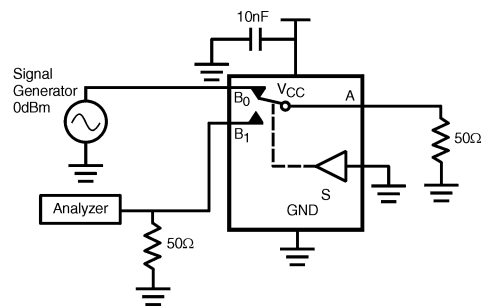


FIGURE 6. Crosstalk

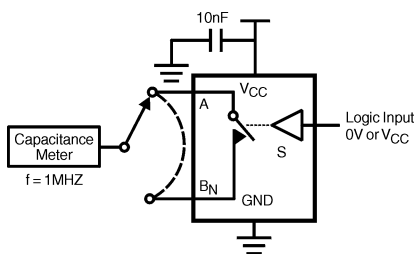


FIGURE 7. Channel Off Capacitance

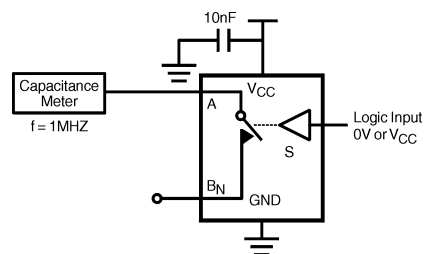


FIGURE 8. Channel On Capacitance

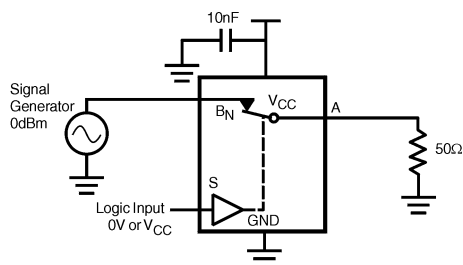


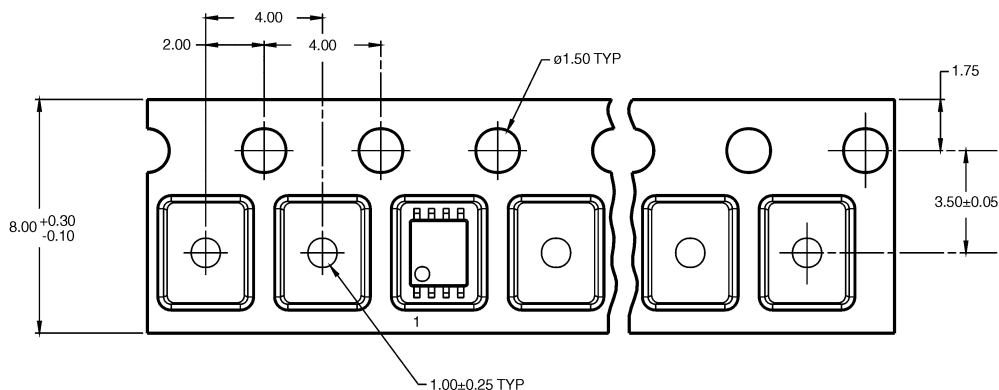
FIGURE 9. Bandwidth

# Tape and Reel Specification

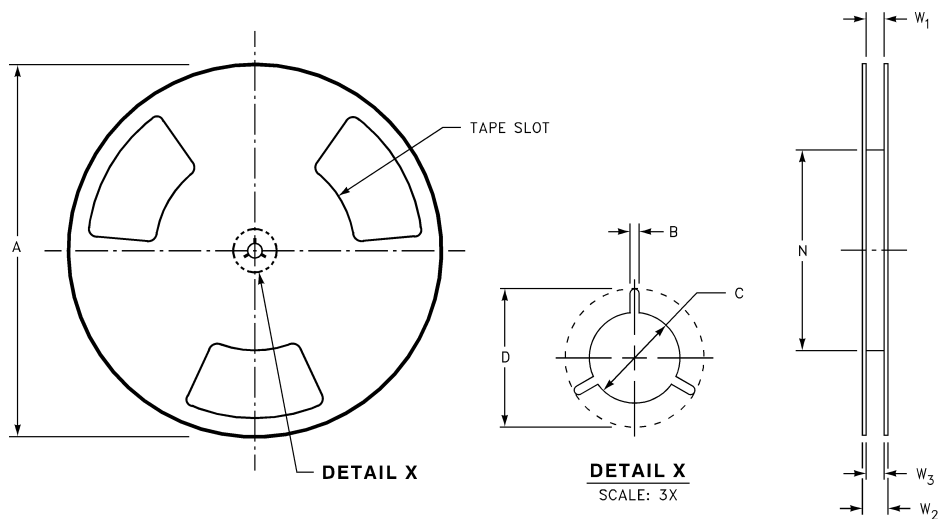
TAPE FORMAT for US8

Package Designator	Tape Section	Number Cavities	Cavity Status	Cover Tape Status
K8X	Leader (Start End)	125 (typ)	Empty	Sealed
	Carrier	250	Filled	Sealed
	Trailer (Hub End)	75 (typ)	Empty	Sealed

TAPE DIMENSIONS inches (millimeters)



REEL DIMENSIONS inches (millimeters)

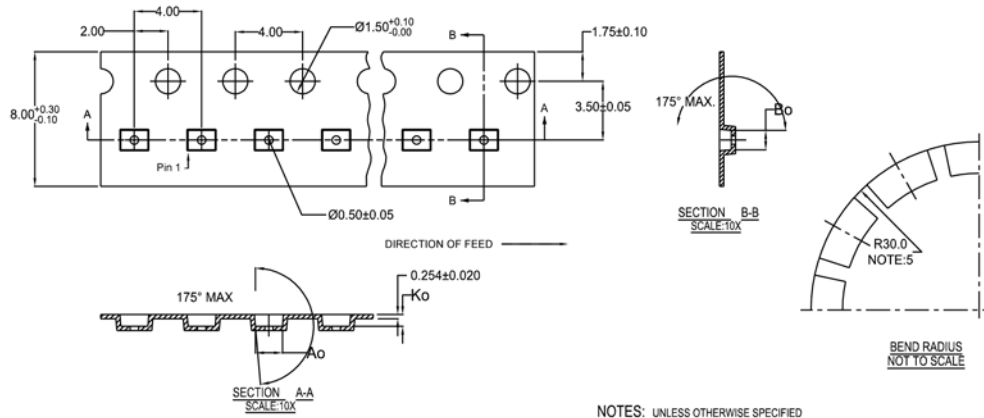


Tape Size	A	B	C	D	N	W1	W2	W3
8 mm	7.0 (177.8)	0.059 (1.50)	0.512 (13.00)	0.795 (20.20)	2.165 (55.00)	0.331 + 0.059/-0.000 (8.40 + 1.50/-0.00)	0.567 (14.40)	W1 + 0.078/-0.039 (W1 + 2.00/-1.00)



TAPE FORMAT for MicroPak

Package Designator	Tape Section	Number Cavities	Cavity Status	Cover Tape Status
L8X	Leader (Start End)	125 (typ)	Empty	Sealed
	Carrier	5000	Filled	Sealed
	Trailer (Hub End)	75 (typ)	Empty	Sealed



10	300056	2.30 ± 0.05	1.78 ± 0.05	0.68 ± 0.05
8	300038	1.78 ± 0.05	1.78 ± 0.05	0.68 ± 0.05
6	300033	1.60 ± 0.05	1.15 ± 0.05	0.70 ± 0.05

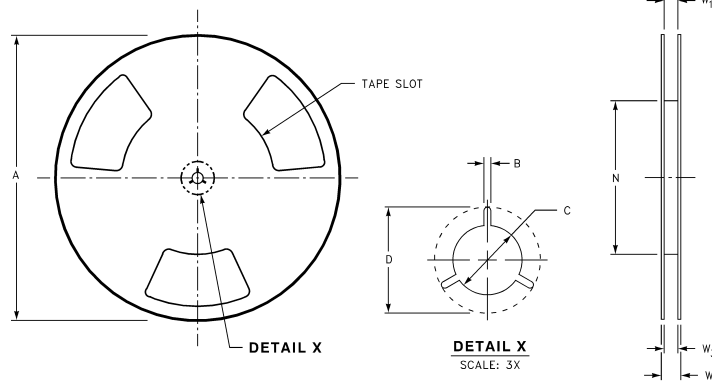
NOTES: UNLESS OTHERWISE SPECIFIED

1. ACCUMULATED 50 SPROCKETS, SPROCKET HOLE PITCH IS 200.00 ± 0.30MM
2. NO INDICATED CORNER RADIUS IS 0.127MM
3. CAMBER NOT TO EXCEED 1MM IN 100MM
4. SMALLEST ALLOWABLE BENDING RADIUS
5. POCKET POSITION RELATIVE TO SPROCKET HOLE MEASURED AS TRUE POSITION OF POCKET, NOT POCKET HOLE



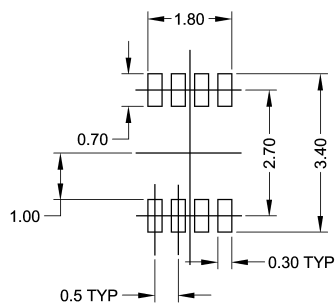
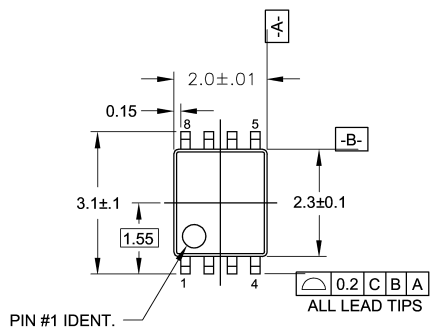
SCALE: 6X

REEL DIMENSIONS inches (millimeters)

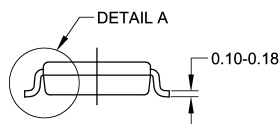
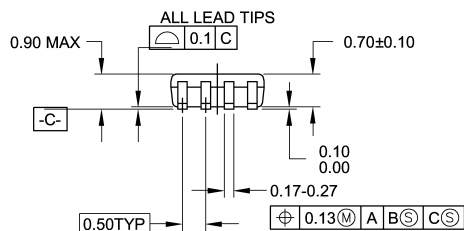


Tape Size	A	B	C	D	N	W1	W2	W3
8 mm	7.0 (177.8)	0.059 (1.50)	0.512 (13.00)	0.795 (20.20)	2.165 (55.00)	0.331 + 0.059/-0.000 (8.40 + 1.50/-0.00)	0.567 (14.40)	W1 + 0.078/-0.039 (W1 + 2.00/-1.00)

**Physical Dimensions** inches (millimeters) unless otherwise noted

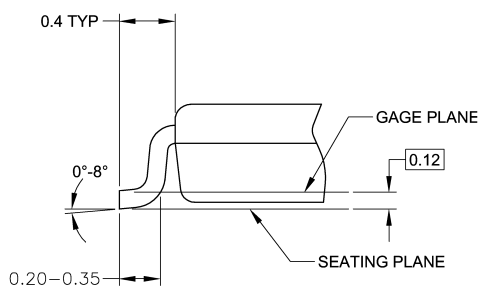


**LAND PATTERN RECOMMENDATION**



**NOTES:**

- A. CONFORMS TO JEDEC REGISTRATION MO-187
- B. DIMENSIONS ARE IN MILLIMETERS.
- C. DIMENSIONS ARE EXCLUSIVE OF BURRS, MOLD FLASH, AND TIE BAR EXTRUSIONS.
- D. DIMENSIONS AND TOLERANCES PER ANSI Y14.5M, 1982.

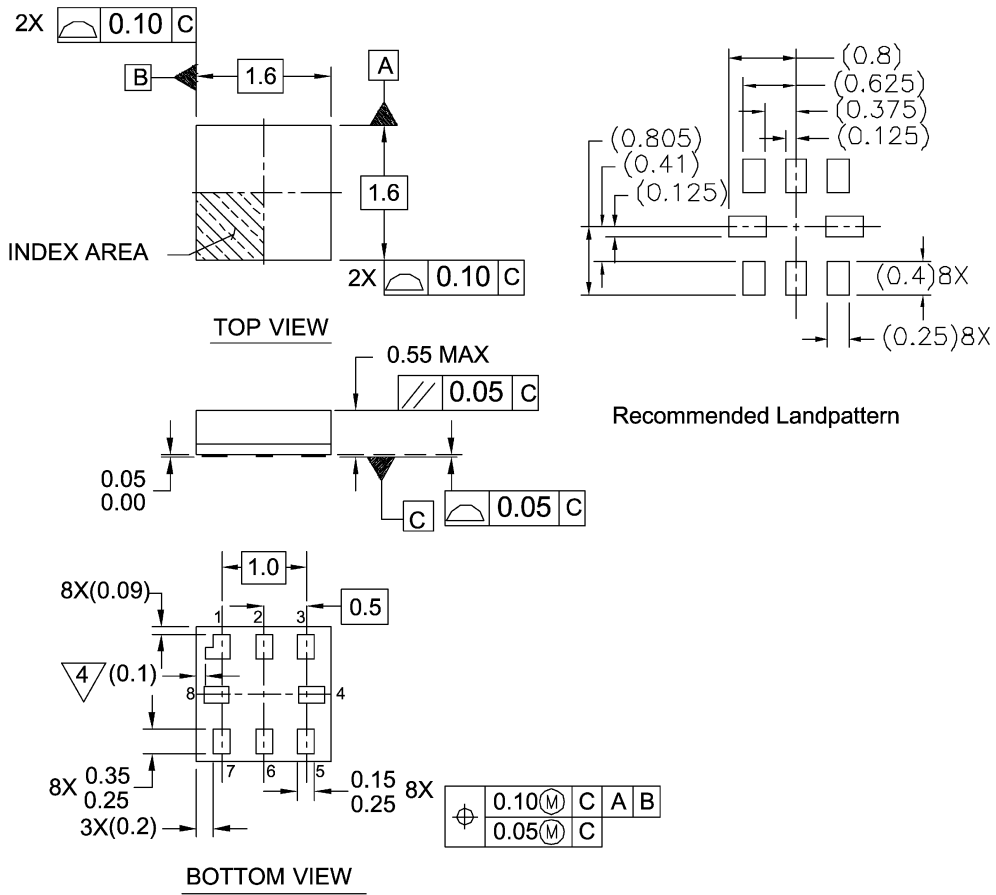


**DETAIL A**

MAB08AREVC

**8-Lead US8, JEDEC MO-187, Variation CA 3.1mm Wide  
Package Number MAB08A**

**Physical Dimensions** inches (millimeters) unless otherwise noted (Continued)



Notes:

1. PACKAGE CONFORMS TO JEDEC MO-255 VARIATION UAAD
2. DIMENSIONS ARE IN MILLIMETERS
3. DRAWING CONFORMS TO ASME Y.14M-1994

4. PIN 1 FLAG, END OF PACKAGE OFFSET.

MAC08AREVC

**Pb-Free 8-Lead MicroPak, 1.6 mm Wide  
Package Number MAC08A**

## DISCLAIMER

FAIRCHILD SEMICONDUCTOR RESERVES THE RIGHT TO MAKE CHANGES WITHOUT FURTHER NOTICE TO ANY PRODUCTS HEREIN TO IMPROVE RELIABILITY, FUNCTION OR DESIGN. FAIRCHILD DOES NOT ASSUME ANY LIABILITY ARISING OUT OF THE APPLICATION OR USE OF ANY PRODUCT OR CIRCUIT DESCRIBED HEREIN; NEITHER DOES IT CONVEY ANY LICENSE UNDER ITS PATENT RIGHTS, NOR THE RIGHTS OF OTHERS.

## LIFE SUPPORT POLICY

FAIRCHILD'S PRODUCTS ARE NOT AUTHORIZED FOR USE AS CRITICAL COMPONENTS IN LIFE SUPPORT DEVICES OR SYSTEMS WITHOUT THE EXPRESS WRITTEN APPROVAL OF FAIRCHILD SEMICONDUCTOR CORPORATION

As used herein:

1. Life support devices or systems are devices or systems which, (a) are intended for surgical implant into the body, or (b) support or sustain life, or (c) whose failure to perform when properly used in accordance with instructions for use

provided in the labeling, can be reasonably expected to result in significant injury to the user.

2. A critical component is any component of a life support device or system whose failure to perform can be reasonably expected to cause the failure of the life support device or system, or to affect its safety or effectiveness.

## PRODUCT STATUS DEFINITIONS

Definition of terms

Datasheet Identification	Product Status	Definition
Advance Information	Formative or In Design	This datasheet contains the design specifications for product development. Specifications may change in any manner without notice.
Preliminary	First Production	This datasheet contains preliminary data, and supplementary data will be published at a later date. Fairchild Semiconductor reserves the right to make changes at any time without notice in order to improve design.
No Identification Needed	Full Production	This datasheet contains final specifications. Fairchild Semiconductor reserves the right to make changes at any time without notice in order to improve design.
Obsolete	Not In Production	This datasheet contains specifications on a product that has been discontinued by Fairchild Semiconductor. The datasheet is printed for reference information only.

ON Semiconductor and  are trademarks of Semiconductor Components Industries, LLC dba ON Semiconductor or its subsidiaries in the United States and/or other countries. ON Semiconductor owns the rights to a number of patents, trademarks, copyrights, trade secrets, and other intellectual property. A listing of ON Semiconductor's product/patent coverage may be accessed at [www.onsemi.com/site/pdf/Patent-Marking.pdf](http://www.onsemi.com/site/pdf/Patent-Marking.pdf). ON Semiconductor reserves the right to make changes without further notice to any products herein. ON Semiconductor makes no warranty, representation or guarantee regarding the suitability of its products for any particular purpose, nor does ON Semiconductor assume any liability arising out of the application or use of any product or circuit, and specifically disclaims any and all liability, including without limitation special, consequential or incidental damages. Buyer is responsible for its products and applications using ON Semiconductor products, including compliance with all laws, regulations and safety requirements or standards, regardless of any support or applications information provided by ON Semiconductor. "Typical" parameters which may be provided in ON Semiconductor data sheets and/or specifications can and do vary in different applications and actual performance may vary over time. All operating parameters, including "Typicals" must be validated for each customer application by customer's technical experts. ON Semiconductor does not convey any license under its patent rights nor the rights of others. ON Semiconductor products are not designed, intended, or authorized for use as a critical component in life support systems or any FDA Class 3 medical devices or medical devices with a same or similar classification in a foreign jurisdiction or any devices intended for implantation in the human body. Should Buyer purchase or use ON Semiconductor products for any such unintended or unauthorized application, Buyer shall indemnify and hold ON Semiconductor and its officers, employees, subsidiaries, affiliates, and distributors harmless against all claims, costs, damages, and expenses, and reasonable attorney fees arising out of, directly or indirectly, any claim of personal injury or death associated with such unintended or unauthorized use, even if such claim alleges that ON Semiconductor was negligent regarding the design or manufacture of the part. ON Semiconductor is an Equal Opportunity/Affirmative Action Employer. This literature is subject to all applicable copyright laws and is not for resale in any manner.

## PUBLICATION ORDERING INFORMATION

### LITERATURE FULFILLMENT:

Literature Distribution Center for ON Semiconductor  
19521 E. 32nd Pkwy, Aurora, Colorado 80011 USA  
**Phone:** 303-675-2175 or 800-344-3860 Toll Free USA/Canada  
**Fax:** 303-675-2176 or 800-344-3867 Toll Free USA/Canada  
**Email:** [orderlit@onsemi.com](mailto:orderlit@onsemi.com)

**N. American Technical Support:** 800-282-9855 Toll Free  
USA/Canada  
**Europe, Middle East and Africa Technical Support:**  
Phone: 421 33 790 2910  
**Japan Customer Focus Center**  
Phone: 81-3-5817-1050

**ON Semiconductor Website:** [www.onsemi.com](http://www.onsemi.com)  
**Order Literature:** <http://www.onsemi.com/orderlit>  
For additional information, please contact your local  
Sales Representative

# Mouser Electronics

Authorized Distributor

Click to View Pricing, Inventory, Delivery & Lifecycle Information:

[ON Semiconductor:](#)

[FSA3357L8X](#) [FSA3357K8X](#)



Компания «ЭлектроПласт» предлагает заключение долгосрочных отношений при поставках импортных электронных компонентов на взаимовыгодных условиях!

Наши преимущества:

- Оперативные поставки широкого спектра электронных компонентов отечественного и импортного производства напрямую от производителей и с крупнейших мировых складов;
- Поставка более 17-ти миллионов наименований электронных компонентов;
- Поставка сложных, дефицитных, либо снятых с производства позиций;
- Оперативные сроки поставки под заказ (от 5 рабочих дней);
- Экспресс доставка в любую точку России;
- Техническая поддержка проекта, помощь в подборе аналогов, поставка прототипов;
- Система менеджмента качества сертифицирована по Международному стандарту ISO 9001;
- Лицензия ФСБ на осуществление работ с использованием сведений, составляющих государственную тайну;
- Поставка специализированных компонентов (Xilinx, Altera, Analog Devices, Intersil, Interpoint, Microsemi, Aeroflex, Peregrine, Syfer, Eurofarad, Texas Instrument, Miteq, Cobham, E2V, MA-COM, Hittite, Mini-Circuits, General Dynamics и др.);

Помимо этого, одним из направлений компании «ЭлектроПласт» является направление «Источники питания». Мы предлагаем Вам помощь Конструкторского отдела:

- Подбор оптимального решения, техническое обоснование при выборе компонента;
- Подбор аналогов;
- Консультации по применению компонента;
- Поставка образцов и прототипов;
- Техническая поддержка проекта;
- Защита от снятия компонента с производства.



#### Как с нами связаться

**Телефон:** 8 (812) 309 58 32 (многоканальный)

**Факс:** 8 (812) 320-02-42

**Электронная почта:** [org@eplast1.ru](mailto:org@eplast1.ru)

**Адрес:** 198099, г. Санкт-Петербург, ул. Калинина, дом 2, корпус 4, литера А.