

## Power terminal block - AKG 4 GNYE-EX - 0421045

Please be informed that the data shown in this PDF Document is generated from our Online Catalog. Please find the complete data in the user's documentation. Our General Terms of Use for Downloads are valid (<http://download.phoenixcontact.com>)



Power terminal block, Connection method: Screw connection, Cross section: 0.5 mm<sup>2</sup> - 6 mm<sup>2</sup>, AWG 20 - 10, Width: 7 mm, Height: 23.6 mm, Color: green-yellow, Mounting type: Neutral busbar


The illustration shows a combination of versions AKG 4 BK, AKG 4 BU and AKG 4 GNYE

### Product description

Power terminal block, Connection method: Screw connection, Cross section: 0.5 mm<sup>2</sup> - 6 mm<sup>2</sup>, AWG 20 - 10, Width: 7 mm, Height: 23.6 mm, Color: green-yellow, Mounting type: Neutral busbar



### Key commercial data

|                                      |   |
|--------------------------------------|---|
| Packing unit                         | 1   |
| Minimum order quantity               | 50  |
| GTIN                                 | <br>4 017918 001940 |
| Weight per piece (including packing) | 0.0 GRM   |
| Weight per Piece (excluding packing) | 5.4 GRM   |
| Country of origin                    | GERMANY   |

### Technical data

#### General

|       |              |
|-------|--------------|
| Color | green-yellow |
|-------|--------------|

#### Dimensions

|        |         |
|--------|---------|
| Length | 23.7 mm |
| Width  | 7 mm    |

#### Technical data

|                                |      |
|--------------------------------|------|
| Nominal current I <sub>N</sub> | 41 A |
|--------------------------------|------|

#### Connection data

|                                       |                     |
|---------------------------------------|---------------------|
| Conductor cross section solid min.    | 0.5 mm <sup>2</sup> |
| Conductor cross section solid max.    | 6 mm <sup>2</sup>   |
| Conductor cross section stranded min. | 0.5 mm <sup>2</sup> |

# Power terminal block - AKG 4 GNYE-EX - 0421045

## Technical data

### Connection data

|   |                     |
|---|---------------------|
| Conductor cross section stranded max.   | 4 mm <sup>2</sup>   |
| Conductor cross section AWG/kcmil min.  | 20                  |
| Conductor cross section AWG/kcmil max   | 10                  |
| Conductor cross section stranded, with ferrule without plastic sleeve min.              | 0.5 mm <sup>2</sup> |
| Conductor cross section stranded, with ferrule without plastic sleeve max.              | 6 mm <sup>2</sup>   |
| Conductor cross section stranded, with ferrule with plastic sleeve min.                 | 0.5 mm <sup>2</sup> |
| Conductor cross section stranded, with ferrule with plastic sleeve max.                 | 6 mm <sup>2</sup>   |
| 2 conductors with same cross section, solid min.  | 0.5 mm <sup>2</sup> |
| 2 conductors with same cross section, solid max.  | 2.5 mm <sup>2</sup> |
| 2 conductors with same cross section, stranded min.                                     | 0.5 mm <sup>2</sup> |
| 2 conductors with same cross section, stranded max.                                     | 2.5 mm <sup>2</sup> |
| 2 conductors with same cross section, stranded, ferrules without plastic sleeve, min.   | 0.5 mm <sup>2</sup> |
| 2 conductors with same cross section, stranded, ferrules without plastic sleeve, max.   | 2.5 mm <sup>2</sup> |
| 2 conductors with same cross section, stranded, TWIN ferrules with plastic sleeve, min. | 0.5 mm <sup>2</sup> |
| 2 conductors with same cross section, stranded, TWIN ferrules with plastic sleeve, max. | 2.5 mm <sup>2</sup> |
| Connection method   | Screw connection    |
| Stripping length  | 16 mm               |
| Screw thread  | M4                  |
| Tightening torque, min  | 1.5 Nm              |
| Tightening torque max   | 1.8 Nm              |

## Classifications

### eclass

|            |          |
|------------|----------|
| eClass 4.0 | 27141131 |
| eClass 4.1 | 27141131 |
| eClass 5.0 | 27141131 |
| eClass 5.1 | 27141131 |
| eClass 6.0 | 27141120 |

### etim

|          |          |
|----------|----------|
| ETIM 2.0 | EC000897 |
| ETIM 3.0 | EC000897 |
| ETIM 4.0 | EC000897 |

### unspsc

|             |          |
|-------------|----------|
| UNSPSC 6.01 | 30211811 |
|-------------|----------|

# Power terminal block - AKG 4 GNYE-EX - 0421045

## Classifications

### unspsc

|               |          |
|---------------|----------|
| UNSPSC 7.0901 | 39121410 |
| UNSPSC 11     | 39121410 |
| UNSPSC 12.01  | 39121410 |
| UNSPSC 13.2   | 39121410 |

## Approvals

### Certificates

#### Certification

GOST

#### Certification EX

ATEX

#### Certification submitted

### Approval details

|      |
|------|
| GOST |
|------|

## Accessories

### Accessories

#### Assembly

#### Support - AB/SS - 0404428

Support made of insulating material, with retaining screw, for use with either 3 x 10 mm or 6 x 6 mm busbar, color: gray



#### Support - ABN 2/SS - 0404460

Double support, insulating material, optionally for use with 3 x 10 mm or 6 x 6 mm busbar, height in closed state: 39 mm



## Power terminal block - AKG 4 GNYE-EX - 0421045

### Accessories

#### Support - UAB 1 - 3032431

Support, Width: 2 mm, Color: blue



---

#### Support - AB2/SS - 0404431

Double support, insulating material, optionally for use with 3 mm x 10 mm or 6 mm x 6 mm busbar, height: 48 mm



---

#### Neutral busbar - NLS-CU 3/10 SN 1000MM - 0402174

PEN conductor busbar, 3mm x 10 mm, length: 1000 mm



---

### Marking

#### Zack marker strip - ZB 5 :UNBEDRUCKT - 1050004

Zack marker strip, Strip, white, Unlabeled, Can be labeled with: Plotter, Mounting type: Snap into tall marker groove, For term



---

### Tools

#### Screwdriver - SZS 0,6X3,5 - 1205053

Actuation tool, for ST terminal blocks, insulated, also suitable for use as a bladed screwdriver, size: 0.6 x 3.5 x 100 mm, 2-co

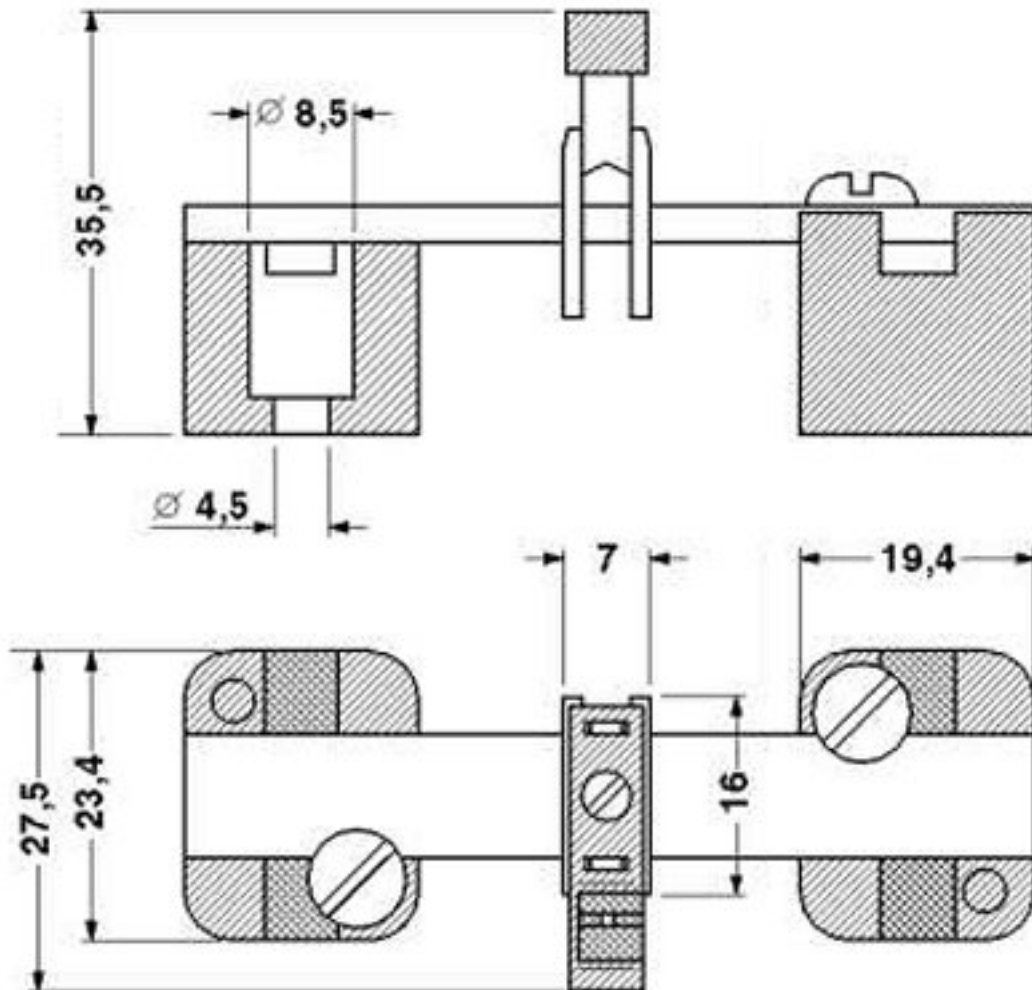


---

### Drawings

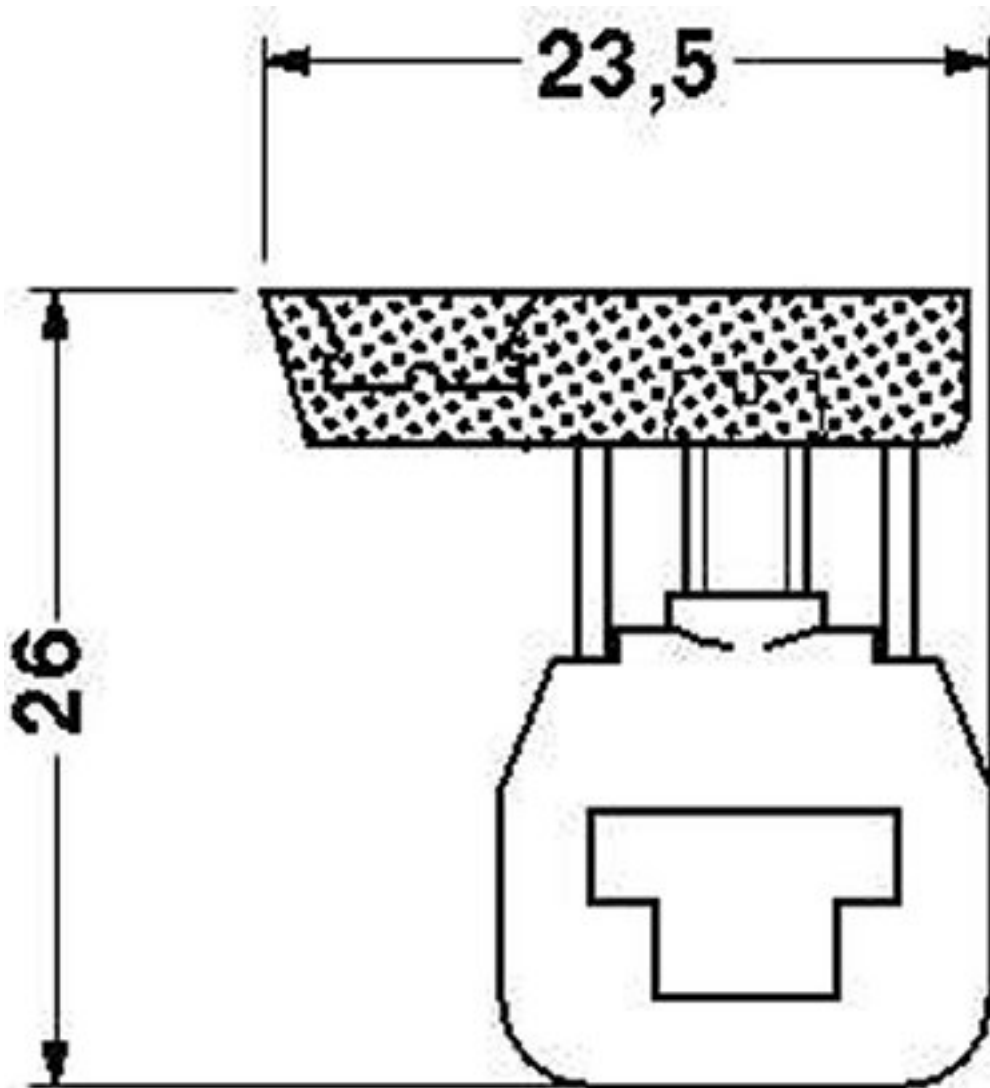
# Power terminal block - AKG 4 GNYE-EX - 0421045

Dimensioned drawing



# Power terminal block - AKG 4 GNYE-EX - 0421045

Dimensioned drawing





Компания «ЭлектроПласт» предлагает заключение долгосрочных отношений при поставках импортных электронных компонентов на взаимовыгодных условиях!

Наши преимущества:

- Оперативные поставки широкого спектра электронных компонентов отечественного и импортного производства напрямую от производителей и с крупнейших мировых складов;
- Поставка более 17-ти миллионов наименований электронных компонентов;
- Поставка сложных, дефицитных, либо снятых с производства позиций;
- Оперативные сроки поставки под заказ (от 5 рабочих дней);
- Экспресс доставка в любую точку России;
- Техническая поддержка проекта, помощь в подборе аналогов, поставка прототипов;
- Система менеджмента качества сертифицирована по Международному стандарту ISO 9001;
- Лицензия ФСБ на осуществление работ с использованием сведений, составляющих государственную тайну;
- Поставка специализированных компонентов (Xilinx, Altera, Analog Devices, Intersil, Interpoint, Microsemi, Aeroflex, Peregrine, Syfer, Eurofarad, Texas Instrument, Miteq, Cobham, E2V, MA-COM, Hittite, Mini-Circuits, General Dynamics и др.);

Помимо этого, одним из направлений компании «ЭлектроПласт» является направление «Источники питания». Мы предлагаем Вам помощь Конструкторского отдела:

- Подбор оптимального решения, техническое обоснование при выборе компонента;
- Подбор аналогов;
- Консультации по применению компонента;
- Поставка образцов и прототипов;
- Техническая поддержка проекта;
- Защита от снятия компонента с производства.



#### Как с нами связаться

**Телефон:** 8 (812) 309 58 32 (многоканальный)

**Факс:** 8 (812) 320-02-42

**Электронная почта:** [org@eplast1.ru](mailto:org@eplast1.ru)

**Адрес:** 198099, г. Санкт-Петербург, ул. Калинина, дом 2, корпус 4, литера А.