



# dsPIC33FJ06GS001/101A/102A/202A and dsPIC33FJ09GS302

## 16-Bit Microcontrollers and Digital Signal Controllers with High-Speed PWM, ADC and Comparators

### Operating Conditions

- 3.0V to 3.6V, -40°C to +125°C, DC to 40 MIPS

### Core: 16-Bit dsPIC33F CPU

- Code Efficient (C and Assembly) Architecture
- Two 40-Bit Wide Accumulators
- Single-Cycle (MAC/MPY) with Dual Data Fetch
- Single-Cycle Mixed-Sign MUL plus Hardware Divide
- 32-Bit Multiply Support

### Clock Management

- $\pm 2\%$  Internal Oscillator
- Programmable PLLs and Oscillator Clock Sources
- Fail-Safe Clock Monitor (FSCM)
- Independent Watchdog Timer (WDT)
- Fast Wake-up and Start-up

### Power Management

- Low-Power Management modes (Sleep, Idle, Doze)
- Integrated Power-on Reset and Brown-out Reset
- 2.0 mA/MHz Dynamic Current (typical)
- 135  $\mu$ A IPD Current (typical)

### High-Speed PWM

- Up to Three PWM Pairs with Independent Timing
- Dead Time for Rising and Falling Edges
- 1.04 ns PWM Resolution for Dead Time, Duty Cycle, Phase and Frequency
- PWM Support for:
  - DC/DC, AC/DC, Inverters, PFC and Lighting
- Programmable Fault Inputs
- Flexible Trigger Configurations for ADC Conversions

### Advanced Analog Features

- Two High-Speed Comparators with Direct Connection to the PWM module:
  - Buffered/amplified output drive
  - Independent 10-bit DAC for each comparator
  - Rail-to-rail comparator operation
  - DACOUT amplifier (1x, 1.8x)
  - Selectable hysteresis
  - Programmable output polarity
  - Interrupt generation capability

### Advanced Analog Features (Continued)

- ADC module:
  - 10-bit resolution with Successive Approximation Register (SAR) converter (2 Msps) and three Sample-and-Hold (S&H) circuits
  - Up to 8 input channels grouped into four conversion pairs, plus two inputs for monitoring voltage references
  - Flexible and independent ADC trigger sources
  - Dedicated Result register for each analog channel

### Timers/Output Compare/Input Capture

- Two 16-Bit General Purpose Timers/Counters
- Input Capture module
- Output Compare module
- Peripheral Pin Select (PPS) to allow Function Remap

### Communication Interfaces

- UART module (10 Mbps):
  - With support for LIN/J2602 protocols and IrDA<sup>®</sup>
- 4-Wire SPI module
- I<sup>2</sup>C<sup>™</sup> module (up to 1 Mbaud) with SMBus Support
- PPS to allow Function Remap

### Input/Output

- Constant Current Source:
  - Constant current generator (10  $\mu$ A nominal)
- Sink/Source 18 mA on 8 Pins and 6 mA on 13 Pins
- 5V Tolerant Pins
- Selectable Open-Drain and Pull-ups
- External Interrupts on 16 I/O Pins

### Qualification and Class B Support

- AEC-Q100 REVG (Grade 1, -40°C to +125°C) Planned
- Class B Safety Library, IEC 60730

### Debugger Development Support

- In-Circuit and In-Application Programming
- Two Breakpoints
- IEEE 1149.2 Compatible (JTAG) Boundary Scan
- Trace and Run-Time Watch

# dsPIC33FJ06GS001/101A/102A/202A and dsPIC33FJ09GS302

## dsPIC33FJ06GS001/101A/102A/202A and dsPIC33FJ09GS302 PRODUCT FAMILIES

The device names, pin counts, memory sizes and peripheral availability of each device are listed in [Table 1](#). The following pages show their pinout diagrams.

**TABLE 1: dsPIC33FJ06GS001/101A/102A/202A and dsPIC33FJ09GS302 PRODUCT FAMILIES**

| Device            | Pins | Program Flash Memory (Kbytes) | RAM (Bytes) | Remappable Peripherals |              |               |                |      |     |                    |                   |                                    | DAC Output | Constant Current Source | Reference Clock | I <sup>2</sup> C™ | ADC  |                               | I/O Pins | Packages |                                   |
|-------------------|------|-------------------------------|-------------|------------------------|--------------|---------------|----------------|------|-----|--------------------|-------------------|------------------------------------|------------|-------------------------|-----------------|-------------------|------|-------------------------------|----------|----------|-----------------------------------|
|                   |      |                               |             | Remappable Pins        | 16-Bit Timer | Input Capture | Output Compare | UART | SPI | PWM <sup>(2)</sup> | Analog Comparator | External Interrupts <sup>(1)</sup> |            |                         |                 |                   | SARs | Sample-and-Hold (S&H) Circuit |          |          | Analog-to-Digital Inputs          |
| dsPIC33FJ06GS001  | 18   | 6                             | 256         | 8                      | 2            | 0             | 0              | 0    | 0   | 2x2                | 2                 | 3                                  | 0          | 0                       | 0               | 1                 | 1    | 2                             | 6        | 13       | PDIP,<br>SOIC                     |
|                   | 20   |                               |             |                        |              |               |                |      |     |                    |                   |                                    |            |                         |                 |                   |      |                               |          |          | SSOP                              |
| dsPIC33FJ06GS101A | 18   | 6                             | 256         | 8                      | 2            | 0             | 1              | 1    | 1   | 2x2                | 0                 | 3                                  | 0          | 0                       | 1               | 1                 | 1    | 3                             | 6        | 13       | PDIP,<br>SOIC                     |
|                   | 20   |                               |             |                        |              |               |                |      |     |                    |                   |                                    |            |                         |                 |                   |      |                               |          |          | SSOP                              |
| dsPIC33FJ06GS102A | 28   | 6                             | 256         | 16                     | 2            | 0             | 1              | 1    | 1   | 2x2                | 0                 | 3                                  | 0          | 0                       | 1               | 1                 | 1    | 3                             | 6        | 21       | SPDIP,<br>SOIC,<br>SSOP,<br>QFN-S |
|                   | 36   |                               |             |                        |              |               |                |      |     |                    |                   |                                    |            |                         |                 |                   |      |                               |          |          | VTLA                              |
| dsPIC33FJ06GS202A | 28   | 6                             | 1K          | 16                     | 2            | 1             | 1              | 1    | 1   | 2x2                | 2                 | 3                                  | 1          | 0                       | 1               | 1                 | 1    | 3                             | 6        | 21       | SPDIP,<br>SOIC,<br>SSOP,<br>QFN-S |
|                   | 36   |                               |             |                        |              |               |                |      |     |                    |                   |                                    |            |                         |                 |                   |      |                               |          |          | VTLA                              |
| dsPIC33FJ09GS302  | 28   | 9                             | 1K          | 16                     | 2            | 1             | 1              | 1    | 1   | 3x2                | 2                 | 3                                  | 1          | 1                       | 1               | 1                 | 1    | 3                             | 8        | 21       | SPDIP,<br>SOIC,<br>SSOP,<br>QFN-S |
|                   | 36   |                               |             |                        |              |               |                |      |     |                    |                   |                                    |            |                         |                 |                   |      |                               |          |          | VTLA                              |

**Note 1:** INT0 is not remappable.

**Note 2:** The PWM4 pair is remappable and only available on dsPIC33FJ06GS001/101A and dsPIC33FJ09GS302 devices.

# dsPIC33FJ06GS001/101A/102A/202A and dsPIC33FJ09GS302

## Pin Diagrams

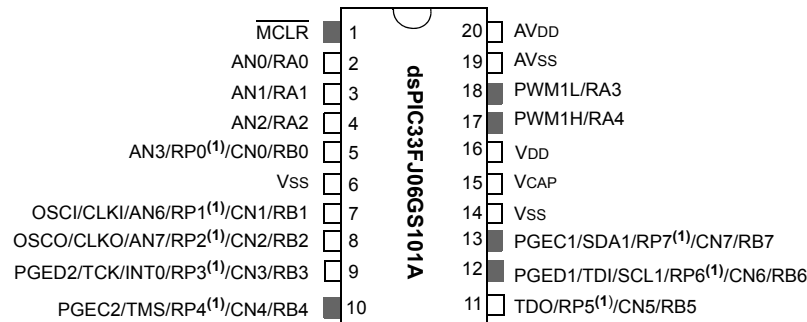
### 18-Pin SOIC, PDIP

■ = Pins are up to 5V tolerant



### 20-Pin SSOP

■ = Pins are up to 5V tolerant



**Note 1:** The RPN pins can be used by any remappable peripheral. See [Table 1](#) for the list of available peripherals.

# dsPIC33FJ06GS001/101A/102A/202A and dsPIC33FJ09GS302

## Pin Diagrams (Continued)

### 28-Pin SOIC, SPDIP, SSOP

■ = Pins are up to 5V tolerant



### 28-Pin SPDIP, SOIC, SSOP

■ = Pins are up to 5V tolerant



### 28-Pin SPDIP, SOIC, SSOP

■ = Pins are up to 5V tolerant



**Note 1:** The RPN pins can be used by any remappable peripheral. See [Table 1](#) for the list of available peripherals.

Pin Diagrams (Continued)

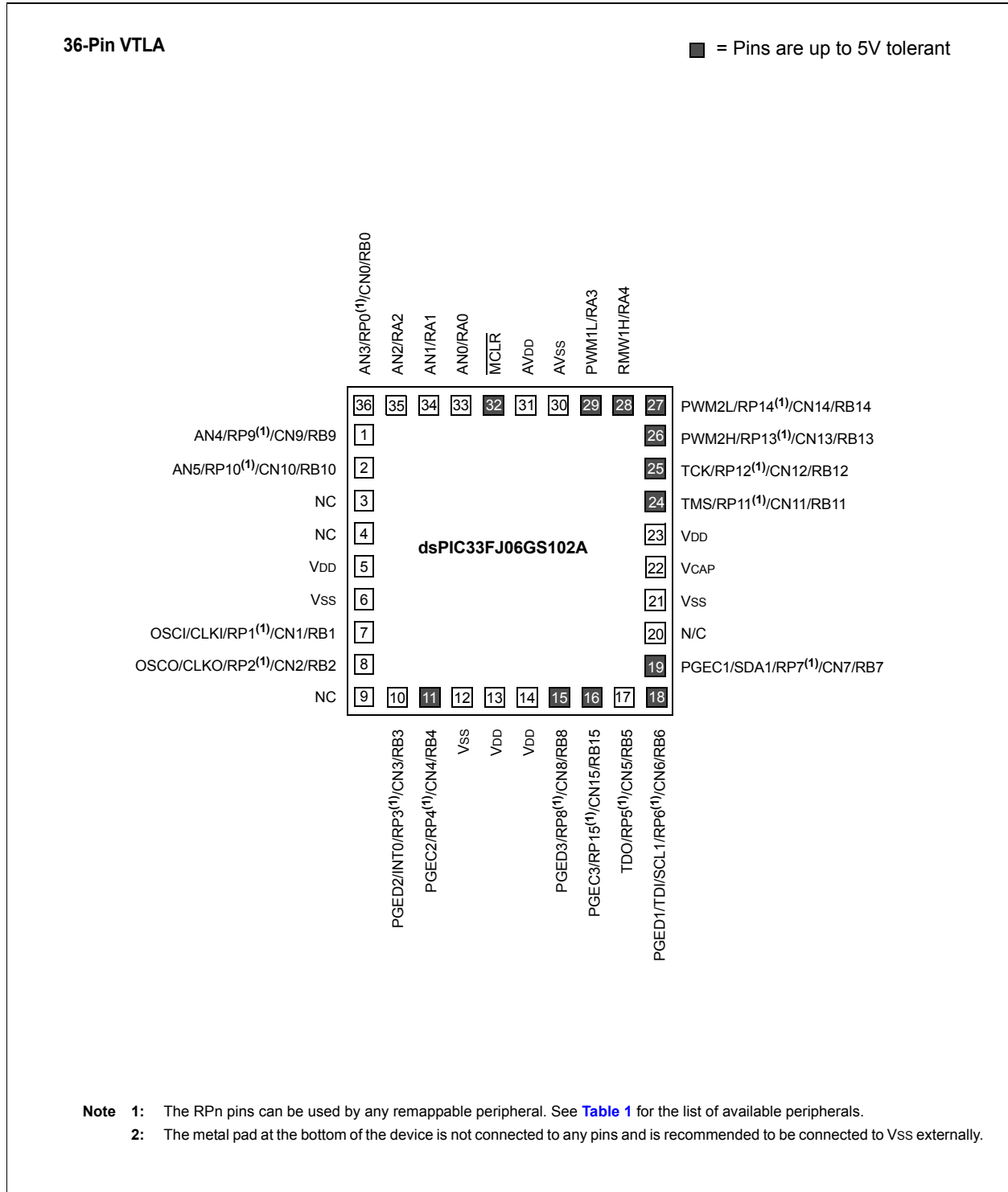


# dsPIC33FJ06GS001/101A/102A/202A and dsPIC33FJ09GS302

## Pin Diagrams (Continued)



Pin Diagrams (Continued)



- Note** 1: The RPN pins can be used by any remappable peripheral. See [Table 1](#) for the list of available peripherals.  
 2: The metal pad at the bottom of the device is not connected to any pins and is recommended to be connected to VSS externally.

# dsPIC33FJ06GS001/101A/102A/202A and dsPIC33FJ09GS302

## Pin Diagrams (Continued)





Pin Diagrams (Continued)



## Table of Contents

|      |   |     |
|------|---|-----|
| 1.0  | Device Overview .....   | 13  |
| 2.0  | Guidelines for Getting Started with 16-Bit Digital Signal Controllers ..... | 17  |
| 3.0  | CPU .....   | 25  |
| 4.0  | Memory Organization .....   | 37  |
| 5.0  | Flash Program Memory .....  | 75  |
| 6.0  | Resets .....  | 79  |
| 7.0  | Interrupt Controller .....  | 87  |
| 8.0  | Oscillator Configuration .....  | 123 |
| 9.0  | Power-Saving Features .....   | 137 |
| 10.0 | I/O Ports .....   | 145 |
| 11.0 | Timer1 .....  | 173 |
| 12.0 | Timer2 Features .....   | 175 |
| 13.0 | Input Capture .....   | 177 |
| 14.0 | Output Compare .....  | 179 |
| 15.0 | High-Speed PWM .....  | 183 |
| 16.0 | Serial Peripheral Interface (SPI) .....                                     | 205 |
| 17.0 | Inter-Integrated Circuit™ (I <sup>2</sup> C™) .....                         | 211 |
| 18.0 | Universal Asynchronous Receiver Transmitter (UART) .....                    | 219 |
| 19.0 | High-Speed 10-Bit Analog-to-Digital Converter (ADC) .....                   | 225 |
| 20.0 | High-Speed Analog Comparator .....  | 243 |
| 21.0 | Constant Current Source .....   | 249 |
| 22.0 | Special Features .....  | 251 |
| 23.0 | Instruction Set Summary .....   | 259 |
| 24.0 | Development Support .....   | 267 |
| 25.0 | Electrical Characteristics .....  | 271 |
| 26.0 | DC and AC Device Characteristics Graphs .....                               | 315 |
| 27.0 | Packaging Information .....   | 319 |
|      | Appendix A: Revision History .....  | 339 |
|      | Index .....   | 341 |

## TO OUR VALUED CUSTOMERS

It is our intention to provide our valued customers with the best documentation possible to ensure successful use of your Microchip products. To this end, we will continue to improve our publications to better suit your needs. Our publications will be refined and enhanced as new volumes and updates are introduced.

If you have any questions or comments regarding this publication, please contact the Marketing Communications Department via E-mail at [docerrors@microchip.com](mailto:docerrors@microchip.com) or fax the **Reader Response Form** in the back of this data sheet to (480) 792-4150. We welcome your feedback.

### Most Current Data Sheet

To obtain the most up-to-date version of this data sheet, please register at our Worldwide Web site at:

<http://www.microchip.com>

You can determine the version of a data sheet by examining its literature number found on the bottom outside corner of any page. The last character of the literature number is the version number, (e.g., DS30000A is version A of document DS30000).

### Errata

An errata sheet, describing minor operational differences from the data sheet and recommended workarounds, may exist for current devices. As device/documentation issues become known to us, we will publish an errata sheet. The errata will specify the revision of silicon and revision of document to which it applies.

To determine if an errata sheet exists for a particular device, please check with one of the following:

- Microchip's Worldwide Web site; <http://www.microchip.com>
- Your local Microchip sales office (see last page)

When contacting a sales office, please specify which device, revision of silicon and data sheet (include literature number) you are using.

### Customer Notification System

Register on our web site at [www.microchip.com](http://www.microchip.com) to receive the most current information on all of our products.

## Referenced Sources

This device data sheet is based on the following individual chapters of the “*dsPIC33F/PIC24H Family Reference Manual*”. These documents should be considered the primary reference for the operation of a particular module or device feature.

**Note:** To access the documents listed below, visit the Microchip web site ([www.microchip.com](http://www.microchip.com)).

- **Section 1. “Introduction”** (DS70197)
- **Section 2. “CPU”** (DS70204)
- **Section 3. “Data Memory”** (DS70202)
- **Section 4. “Program Memory”** (DS70203)
- **Section 5. “Flash Programming”** (DS70191)
- **Section 8. “Reset”** (DS70192)
- **Section 9. “Watchdog Timer (WDT) and Power-Saving Modes”** (DS70196)
- **Section 10. “I/O Ports”** (DS70193)
- **Section 11. “Timers”** (DS70205)
- **Section 12. “Input Capture”** (DS70198)
- **Section 13. “Output Compare”** (DS70209)
- **Section 17. “UART”** (DS70188)
- **Section 18. “Serial Peripheral Interface (SPI)”** (DS70206)
- **Section 19. “Inter-Integrated Circuit™ (I<sup>2</sup>C™)”** (DS70195)
- **Section 24. “Programming and Diagnostics”** (DS70207)
- **Section 25. “Device Configuration”** (DS70194)
- **Section 41. “Interrupts (Part IV)”** (DS70300)
- **Section 42. “Oscillator (Part IV)”** (DS70307)
- **Section 43. “High-Speed PWM”** (DS70323)
- **Section 44. “High-Speed 10-Bit ADC”** (DS70321)
- **Section 45. “High-Speed Analog Comparator”** (DS70296)

## 1.0 DEVICE OVERVIEW

**Note:** This data sheet summarizes the features of the dsPIC33FJ06GS001/101A/102A/202A and dsPIC33FJ09GS302 families of devices. It is not intended to be a comprehensive reference source. To complement the information in this data sheet, refer to the “*dsPIC33F/PIC24H Family Reference Manual*”. Please see the Microchip web site ([www.microchip.com](http://www.microchip.com)) for the latest “*dsPIC33F/PIC24H Family Reference Manual*” sections.

The dsPIC33FJ06GS001/101A/102A/202A and dsPIC33FJ09GS302 devices contain extensive Digital Signal Processor (DSP) functionality with a high-performance, 16-bit microcontroller (MCU) architecture.

[Figure 1-1](#) shows a general block diagram of the core and peripheral modules in the devices. [Table 1-1](#) lists the functions of the various pins shown in the pinout diagrams.

This document contains device-specific information for the following dsPIC33F Digital Signal Controller (DSC) devices:

- dsPIC33FJ06GS001
- dsPIC33FJ06GS101A
- dsPIC33FJ06GS102A
- dsPIC33FJ06GS202A
- dsPIC33FJ09GS302

# dsPIC33FJ06GS001/101A/102A/202A and dsPIC33FJ09GS302

**FIGURE 1-1: dsPIC33FJ06GS001/101A/102A/202A and dsPIC33FJ09GS302 BLOCK DIAGRAM**



# dsPIC33FJ06GS001/101A/102A/202A and dsPIC33FJ09GS302

**TABLE 1-1: PINOUT I/O DESCRIPTIONS**

| Pin Name                | Pin Type | Buffer Type | PPS Capable | Description  |
|-------------------------|----------|-------------|-------------|--|
| AN0-AN7                 | I        | Analog      | No          | Analog input channels.   |
| CLKI                    | I        | ST/CMOS     | No          | External clock source input. Always associated with OSC1 pin function.   |
| CLKO                    | O        | —           | No          | Oscillator crystal output. Connects to crystal or resonator in Crystal Oscillator mode. Optionally functions as CLKO in RC and EC modes. Always associated with OSC2 pin function. |
| OSC1                    | I        | ST/CMOS     | No          | Oscillator crystal input. ST buffer when configured in RC mode; CMOS otherwise.  |
| OSC2                    | I/O      | —           | No          | Oscillator crystal output. Connects to crystal or resonator in Crystal Oscillator mode. Optionally functions as CLKO in RC and EC modes.   |
| CN0-CN15                | I        | ST          | No          | Change notification inputs. Can be software programmed for internal weak pull-ups on all inputs.   |
| IC1                     | I        | ST          | Yes         | Capture Input 1.   |
| OCFA                    | I        | ST          | Yes         | Compare Fault A input (for Compare Channel 1).   |
| OC1                     | O        | —           | Yes         | Compare Output 1.  |
| INT0                    | I        | ST          | No          | External Interrupt 0.  |
| INT1                    | I        | ST          | Yes         | External Interrupt 1.  |
| INT2                    | I        | ST          | Yes         | External Interrupt 2.  |
| RA0-RA4                 | I/O      | ST          | No          | PORTA is a bidirectional I/O port.   |
| RB0-RB15 <sup>(1)</sup> | I/O      | ST          | No          | PORTB is a bidirectional I/O port.   |
| RP0-RP15 <sup>(1)</sup> | I/O      | ST          | No          | Remappable I/O pins.   |
| T1CK                    | I        | ST          | Yes         | Timer1 external clock input.   |
| T2CK                    | I        | ST          | Yes         | Timer2 external clock input.   |
| U1CTS                   | I        | ST          | Yes         | UART1 Clear-to-Send.   |
| U1RTS                   | O        | —           | Yes         | UART1 Ready-to-Send.   |
| U1RX                    | I        | ST          | Yes         | UART1 receive.   |
| U1TX                    | O        | —           | Yes         | UART1 transmit.  |
| SCK1                    | I/O      | ST          | Yes         | Synchronous serial clock input/output for SPI1.  |
| SDI1                    | I        | ST          | Yes         | SPI1 data in.  |
| SDO1                    | O        | —           | Yes         | SPI1 data out.   |
| SS1                     | I/O      | ST          | Yes         | SPI1 slave synchronization or frame pulse I/O.   |
| SCL1                    | I/O      | ST          | No          | Synchronous serial clock input/output for I2C1.  |
| SDA1                    | I/O      | ST          | No          | Synchronous serial data input/output for I2C1.   |
| TMS                     | I        | TTL         | No          | JTAG Test mode select pin.   |
| TCK                     | I        | TTL         | No          | JTAG test clock input pin.   |
| TDI                     | I        | TTL         | No          | JTAG test data input pin.  |
| TDO                     | O        | —           | No          | JTAG test data output pin.   |

**Legend:** CMOS = CMOS compatible input or output      Analog = Analog input      I = Input  
 ST = Schmitt Trigger input with CMOS levels      P = Power      O = Output  
 TTL = Transistor-Transistor Logic      PPS = Peripheral Pin Select      — = Does not apply

**Note 1:** Not all pins are available on all devices. Refer to the specific device in the **“Pin Diagrams”** section for availability.

**2:** This pin is available on dsPIC33FJ09GS302 devices only.

# dsPIC33FJ06GS001/101A/102A/202A and dsPIC33FJ09GS302

**TABLE 1-1: PINOUT I/O DESCRIPTIONS (CONTINUED)**

| Pin Name             | Pin Type | Buffer Type | PPS Capable | Description   |
|----------------------|----------|-------------|-------------|---|
| CMP1A                | I        | Analog      | No          | Comparator 1 Channel A.   |
| CMP1B                | I        | Analog      | No          | Comparator 1 Channel B.   |
| CMP1C                | I        | Analog      | No          | Comparator 1 Channel C.   |
| CMP1D                | I        | Analog      | No          | Comparator 1 Channel D.   |
| CMP2A                | I        | Analog      | No          | Comparator 2 Channel A.   |
| CMP2B                | I        | Analog      | No          | Comparator 2 Channel B.   |
| CMP2C                | I        | Analog      | No          | Comparator 2 Channel C.   |
| CMP2D                | I        | Analog      | No          | Comparator 2 Channel D.   |
| DACOUT               | O        | —           | No          | DAC output voltage.   |
| ACMP1-ACMP2          | O        | —           | Yes         | DAC trigger to PWM module.  |
| ISRC1 <sup>(2)</sup> | O        | —           | No          | Constant Current Source Output 1.   |
| ISRC2 <sup>(2)</sup> | O        | —           | No          | Constant Current Source Output 2.   |
| ISRC3 <sup>(2)</sup> | O        | —           | No          | Constant Current Source Output 3.   |
| ISRC4 <sup>(2)</sup> | O        | —           | No          | Constant Current Source Output 4.   |
| EXTREF               | I        | Analog      | No          | External voltage reference input for the reference DACs.  |
| REFCLKO              | O        | —           | Yes         | REFCLKO output signal is a postscaled derivative of the system clock.   |
| FLT1-FLT8            | I        | ST          | Yes         | Fault inputs to PWM module.   |
| SYNCI1-SYNCI2        | I        | ST          | Yes         | External synchronization signal to PWM master time base.  |
| SYNCO1               | O        | —           | Yes         | PWM master time base for external device synchronization.   |
| PWM1L                | O        | —           | No          | PWM1 low output.  |
| PWM1H                | O        | —           | No          | PWM1 high output.   |
| PWM2L                | O        | —           | No          | PWM2 low output.  |
| PWM2H                | O        | —           | No          | PWM2 high output.   |
| PWM4L                | O        | —           | Yes         | PWM4 low output.  |
| PWM4H                | O        | —           | Yes         | PWM4 high output.   |
| PGED1                | I/O      | ST          | No          | Data I/O pin for programming/debugging Communication Channel 1.   |
| PGEC1                | I        | ST          | No          | Clock input pin for programming/debugging Communication Channel 1.  |
| PGED2                | I/O      | ST          | No          | Data I/O pin for programming/debugging Communication Channel 2.   |
| PGEC2                | I        | ST          | No          | Clock input pin for programming/debugging Communication Channel 2.  |
| PGED3 <sup>(1)</sup> | I/O      | ST          | No          | Data I/O pin for programming/debugging Communication Channel 3.   |
| PGEC3 <sup>(1)</sup> | I        | ST          | No          | Clock input pin for programming/debugging Communication Channel 3.  |
| MCLR                 | I/P      | ST          | No          | Master Clear (Reset) input. This pin is an active-low Reset to the device.  |
| AVDD                 | P        | P           | No          | Positive supply for analog modules. This pin must be connected at all times. AVDD is connected to VDD on 18 and 28-pin devices. |
| AVSS                 | P        | P           | No          | Ground reference for analog modules. AVSS is connected to VSS on 18 and 28-pin devices.   |
| VDD                  | P        | —           | No          | Positive supply for peripheral logic and I/O pins.  |
| VCAP                 | P        | —           | No          | CPU logic filter capacitor connection.  |
| VSS                  | P        | —           | No          | Ground reference for logic and I/O pins.  |

**Legend:** CMOS = CMOS compatible input or output      Analog = Analog input      I = Input  
 ST = Schmitt Trigger input with CMOS levels      P = Power      O = Output  
 TTL = Transistor-Transistor Logic      PPS = Peripheral Pin Select      — = Does not apply

**Note 1:** Not all pins are available on all devices. Refer to the specific device in the “Pin Diagrams” section for availability.

**2:** This pin is available on dsPIC33FJ09GS302 devices only.



## 2.0 GUIDELINES FOR GETTING STARTED WITH 16-BIT DIGITAL SIGNAL CONTROLLERS

**Note 1:** This data sheet summarizes the features of the dsPIC33FJ06GS001/101A/102A/202A and dsPIC33FJ09GS302 family of devices. It is not intended to be a comprehensive reference source. To complement the information in this data sheet, refer to the “*dsPIC33F/PIC24H Family Reference Manual*”, which is available from the Microchip web site ([www.microchip.com](http://www.microchip.com)).

**2:** Some registers and associated bits described in this section may not be available on all devices. Refer to [Section 4.0 “Memory Organization”](#) in this data sheet for device-specific register and bit information.

### 2.1 Basic Connection Requirements

Getting started with the dsPIC33FJ06GS001/101A/102A/202A and dsPIC33FJ09GS302 family of 16-bit Digital Signal Controllers (DSCs) requires attention to a minimal set of device pin connections before proceeding with development. The following is a list of pin names which must always be connected:

- All VDD and VSS pins (see [Section 2.2 “Decoupling Capacitors”](#))
- All AVDD and AVSS pins, regardless if ADC module is not used (see [Section 2.2 “Decoupling Capacitors”](#))
- VCAP (see [Section 2.3 “Capacitor on Internal Voltage Regulator \(VCAP\)”](#))
- MCLR pin (see [Section 2.4 “Master Clear \(MCLR\) Pin”](#))
- PGECx/PGEDx pins used for In-Circuit Serial Programming™ (ICSP™) and debugging purposes (see [Section 2.5 “ICSP™ Pins”](#))
- OSC1 and OSC2 pins when external oscillator source is used (see [Section 2.6 “External Oscillator Pins”](#))

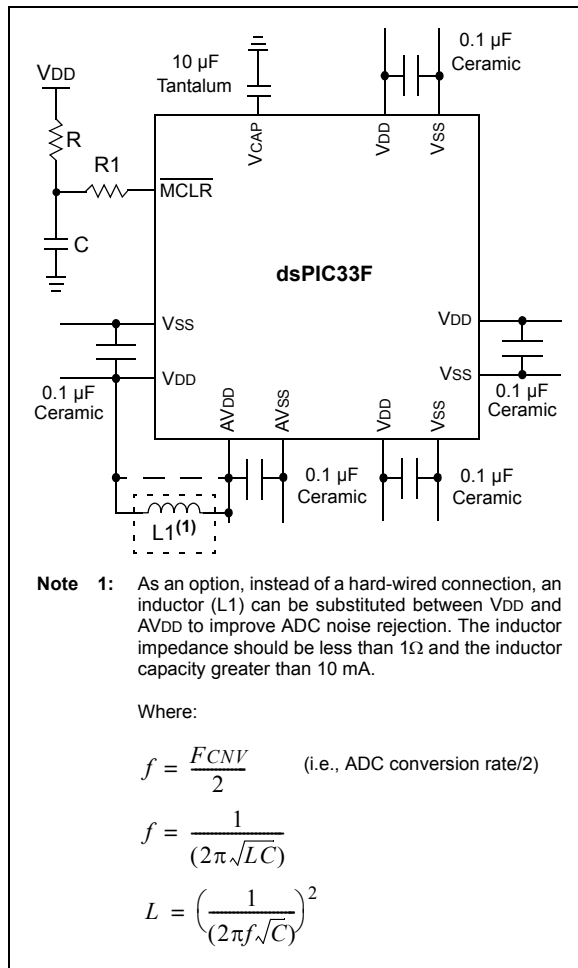
### 2.2 Decoupling Capacitors

The use of decoupling capacitors on every pair of power supply pins, such as VDD, VSS, AVDD and AVSS, is required.

Consider the following criteria when using decoupling capacitors:

- **Value and type of capacitor:** Recommendation of 0.1  $\mu\text{F}$  (100 nF), 10-20V. This capacitor should be a low-ESR and have resonance frequency in the range of 20 MHz and higher. It is recommended that ceramic capacitors be used.
- **Placement on the printed circuit board:** The decoupling capacitors should be placed as close to the pins as possible. It is recommended to place the capacitors on the same side of the board as the device. If space is constricted, the capacitor can be placed on another layer on the PCB using a via; however, ensure that the trace length from the pin to the capacitor is within one-quarter inch (6 mm) in length.
- **Handling high-frequency noise:** If the board is experiencing high-frequency noise, upward of tens of MHz, add a second ceramic type capacitor in parallel to the above described decoupling capacitor. The value of the second capacitor can be in the range of 0.01  $\mu\text{F}$  to 0.001  $\mu\text{F}$ . Place this second capacitor next to the primary decoupling capacitor. In high-speed circuit designs, consider implementing a decade pair of capacitances as close to the power and ground pins as possible; for example, 0.1  $\mu\text{F}$  in parallel with 0.001  $\mu\text{F}$ .
- **Maximizing performance:** On the board layout from the power supply circuit, run the power and return traces to the decoupling capacitors first, and then to the device pins. This ensures that the decoupling capacitors are first in the power chain. Equally important is to keep the trace length between the capacitor and the power pins to a minimum, thereby reducing PCB track inductance.

**FIGURE 2-1: RECOMMENDED MINIMUM CONNECTION**



**2.2.1 TANK CAPACITORS**

On boards with power traces running longer than six inches in length, it is suggested to use a tank capacitor for integrated circuits including DSCs to supply a local power source. The value of the tank capacitor should be determined based on the trace resistance that connects the power supply source to the device, and the maximum current drawn by the device in the application. In other words, select the tank capacitor so that it meets the acceptable voltage sag at the device; typical values range from 4.7 µF to 47 µF.

**2.3 Capacitor on Internal Voltage Regulator (VCAP)**

A low-ESR (<0.5 Ohms) capacitor is required on the VCAP pin, which is used to stabilize the voltage regulator output voltage. The VCAP pin must not be connected to VDD, and must have a capacitor between 4.7 µF and 10 µF, 16V connected to ground. The type can be ceramic or tantalum. Refer to [Section 25.0 “Electrical Characteristics”](#) for additional information.

The placement of this capacitor should be close to the VCAP. It is recommended that the trace length not exceed one-quarter inch (6 mm). Refer to [Section 22.2 “On-Chip Voltage Regulator”](#) for details.

**2.4 Master Clear (MCLR) Pin**

The MCLR pin provides for two specific device functions:

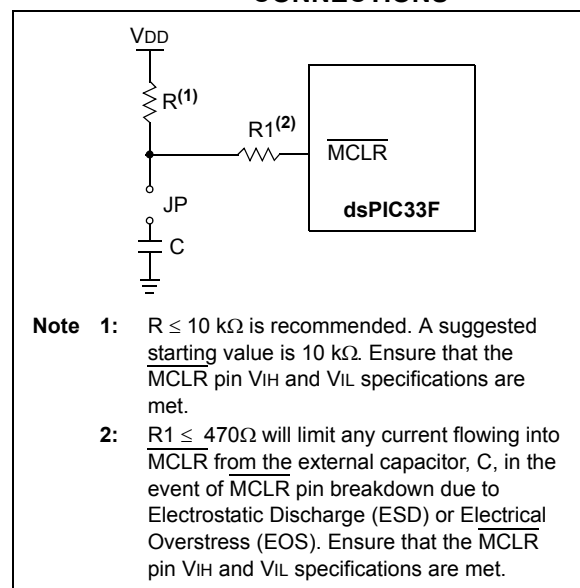
- Device Reset
- Device Programming and Debugging

During device programming and debugging, the resistance and capacitance that can be added to the pin must be considered. Device programmers and debuggers drive the MCLR pin. Consequently, specific voltage levels (VIH and VIL) and fast signal transitions must not be adversely affected. Therefore, specific values of R and C will need to be adjusted based on the application and PCB requirements.

For example, as shown in [Figure 2-2](#), it is recommended that the capacitor, C, be isolated from the MCLR pin during programming and debugging operations.

Place the components shown in [Figure 2-2](#) within one-quarter inch (6 mm) from the MCLR pin.

**FIGURE 2-2: EXAMPLE OF MCLR PIN CONNECTIONS**



## 2.5 ICSP™ Pins

The PGECx and PGEDx pins are used for In-Circuit Serial Programming™ (ICSP™) and debugging purposes. It is recommended to keep the trace length between the ICSP connector and the ICSP pins on the device as short as possible. If the ICSP connector is expected to experience an ESD event, a series resistor is recommended, with the value in the range of a few tens of Ohms, not to exceed 100 Ohms.

Pull-up resistors, series diodes, and capacitors on the PGECx and PGEDx pins, are not recommended as they will interfere with the programmer/debugger communications to the device. If such discrete components are an application requirement, they should be removed from the circuit during programming and debugging. Alternatively, refer to the AC/DC characteristics and timing requirements information in the respective device Flash programming specification for information on capacitive loading limits, and Input Voltage High (V<sub>IH</sub>) and Input Voltage Low (V<sub>IL</sub>) pin requirements.

Ensure that the “Communication Channel Select” (i.e., PGECx/PGEDx pins), programmed into the device matches the physical connections for the ICSP to MPLAB® ICD 3 or MPLAB REAL ICE™.

For more information on MPLAB ICD 3 and REAL ICE connection requirements, refer to the following documents that are available on the Microchip web site ([www.microchip.com](http://www.microchip.com)):

- “Using MPLAB® ICD 3” (poster) (DS51765)
- “Multi-Tool Design Advisory” (DS51764)
- “MPLAB® REAL ICE™ In-Circuit Emulator User’s Guide” (DS51616)
- “Using MPLAB® REAL ICE™” (poster) (DS51749)

## 2.6 External Oscillator Pins

Many DSCs have options for at least two oscillators: a high-frequency primary oscillator and a low-frequency secondary oscillator (refer to [Section 8.0 “Oscillator Configuration”](#) for details).

The oscillator circuit should be placed on the same side of the board as the device. Also, place the oscillator circuit close to the respective oscillator pins, not exceeding one-half inch (12 mm) distance between them. The load capacitors should be placed next to the oscillator itself, on the same side of the board. Use a grounded copper pour around the oscillator circuit to isolate them from surrounding circuits. The grounded copper pour should be routed directly to the MCU ground. Do not run any signal traces or power traces inside the ground pour. Also, if using a two-sided board, avoid any traces on the other side of the board where the crystal is placed. A suggested layout is shown in [Figure 2-3](#).

**FIGURE 2-3: SUGGESTED PLACEMENT OF THE OSCILLATOR CIRCUIT**



## 2.7 Oscillator Value Conditions on Device Start-up

If the PLL of the target device is enabled and configured for the device start-up oscillator, the maximum oscillator source frequency must be limited to  $4 \text{ MHz} < F_{\text{IN}} < 8 \text{ MHz}$  to comply with device PLL start-up conditions. This means that if the external oscillator frequency is outside of this range, the application must start up in the FRC mode first. The default PLL settings after a POR, with an oscillator frequency outside of this range, will violate the device operating speed.

Once the device powers up, the application firmware can initialize the PLL SFRs, CLKDIV and PLLDBF to a suitable value, and then perform a clock switch to the Oscillator + PLL clock source. Note that clock switching must be enabled in the device Configuration Word.

## 2.8 Configuration of Analog and Digital Pins During ICSP Operations

If MPLAB ICD 3 or REAL ICE is selected as a debugger, it automatically initializes all of the Analog-to-Digital input pins (ANx) as “digital” pins, by setting all bits in the ADPCFG register.

The bits in the registers that correspond to the Analog-to-Digital pins that are initialized by MPLAB ICD 3 or REAL ICE, must not be cleared by the user application firmware; otherwise, communication errors will result between the debugger and the device.

If your application needs to use certain Analog-to-Digital pins as analog input pins during the debug session, the user application must clear the corresponding bits in the ADPCFG register during initialization of the ADC module.

When MPLAB ICD 3 or REAL ICE is used as a programmer, the user application firmware must correctly configure the ADPCFG register. Automatic initialization of these registers is only done during debugger operation. Failure to correctly configure the register(s) will result in all Analog-to-Digital pins being recognized as analog input pins, resulting in the port value being read as a logic ‘0’, which may affect user application functionality.

## 2.9 Unused I/Os

Unused I/O pins should be configured as outputs and driven to a logic low state.

Alternatively, connect a 1k to 10k resistor between V<sub>SS</sub> and unused pins, and drive the output to logic low.

## 2.10 Typical Application Connection Examples

Examples of typical application connections are shown in [Figure 2-4](#) through [Figure 2-8](#).

FIGURE 2-4: DIGITAL PFC

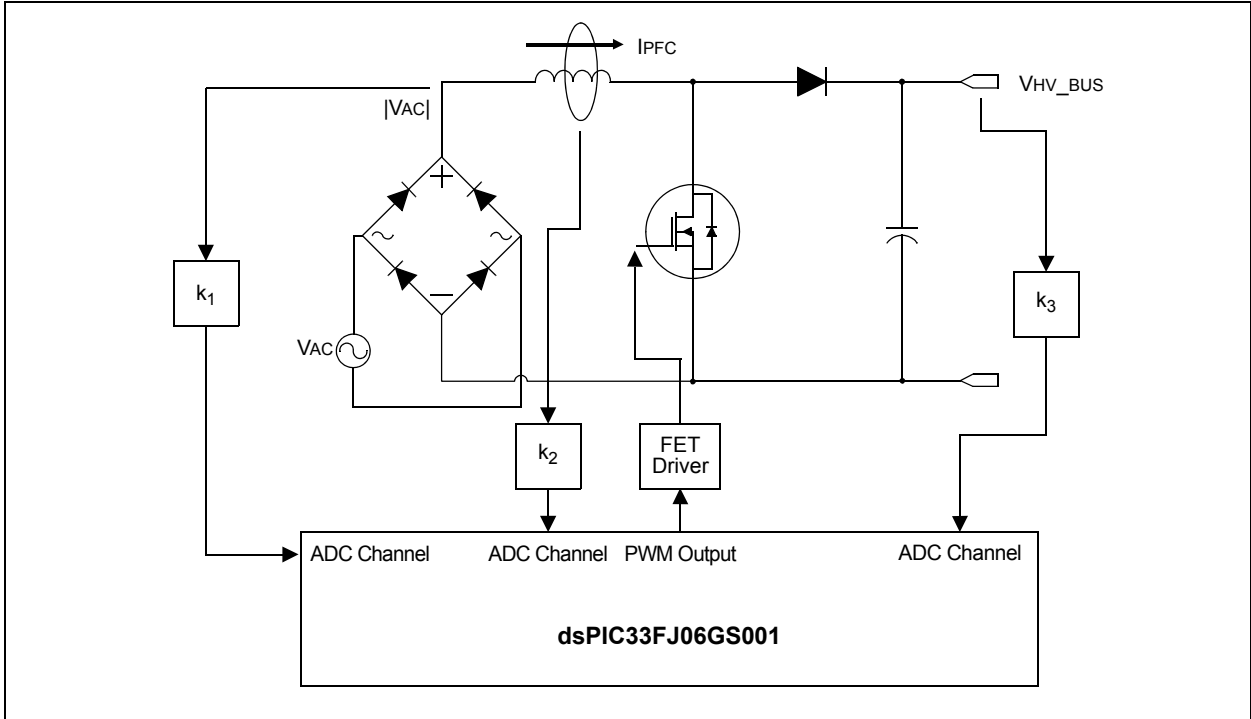
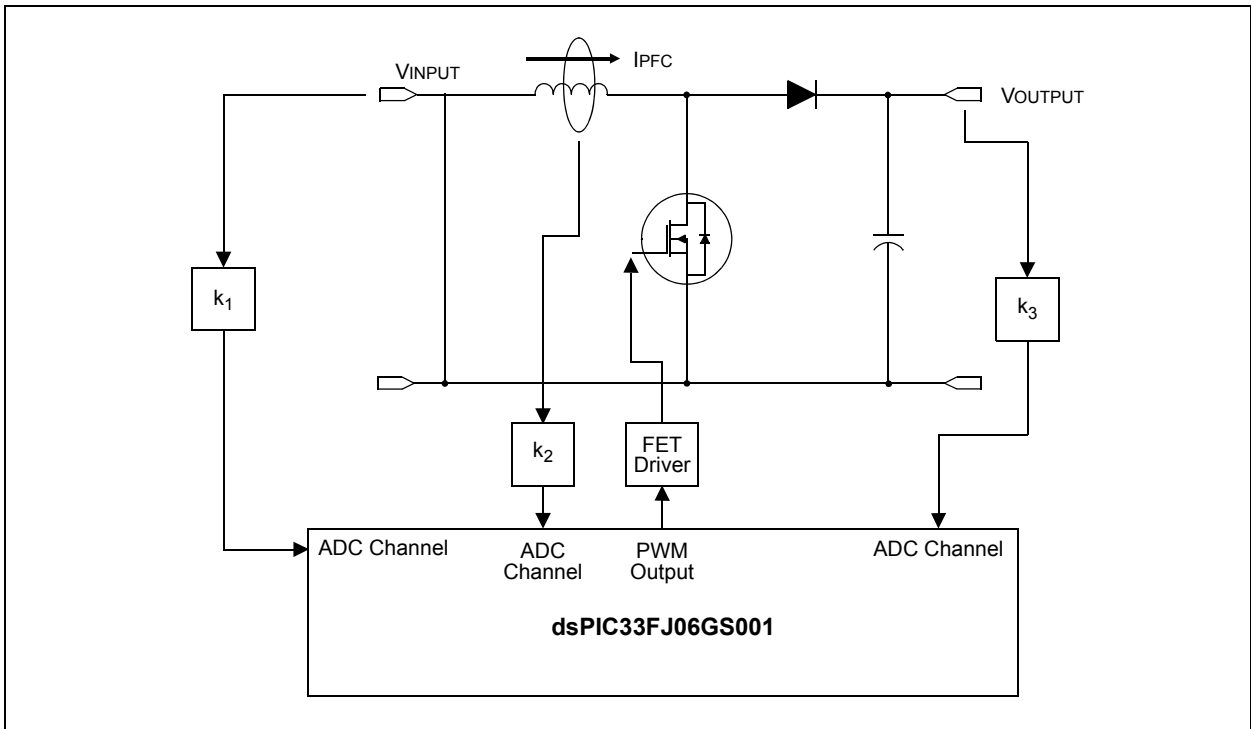


FIGURE 2-5: BOOST CONVERTER IMPLEMENTATION



**FIGURE 2-6: SINGLE-PHASE SYNCHRONOUS BUCK CONVERTER**



**FIGURE 2-7: INTERLEAVED PFC**



FIGURE 2-8: PHASE-SHIFTED FULL-BRIDGE CONVERTER



NOTES:



## 3.0 CPU

**Note 1:** This data sheet summarizes the features of the dsPIC33FJ06GS001/101A/102A/202A and dsPIC33FJ09GS302 families of devices. It is not intended to be a comprehensive reference source. To complement the information in this data sheet, refer to **Section 2. “CPU”** (DS70204) in the “*dsPIC33F/PIC24H Family Reference Manual*”, which is available from the Microchip web site ([www.microchip.com](http://www.microchip.com)).

**2:** Some registers and associated bits described in this section may not be available on all devices. Refer to **Section 4.0 “Memory Organization”** in this data sheet for device-specific register and bit information.

The CPU module has a 16-bit (data) modified Harvard architecture with an enhanced instruction set, including significant support for DSP. The CPU has a 24-bit instruction word with a variable length opcode field. The Program Counter (PC) is 23 bits wide and addresses up to 4M x 24 bits of user program memory space. The actual amount of program memory implemented varies from device to device. A single-cycle instruction prefetch mechanism is used to help maintain throughput and provides predictable execution. All instructions execute in a single cycle, with the exception of instructions that change the program flow, the double-word move (MOV.D) instruction and the table instructions. Overhead-free program loop constructs are supported using the DO and REPEAT instructions, both of which are interruptible at any point.

The dsPIC33FJ06GS001/101A/102A/202A and dsPIC33FJ09GS302 devices have sixteen, 16-bit working registers in the programmer’s model. Each of the working registers can serve as a Data, Address or Address Offset register. The sixteenth working register (W15) operates as a software Stack Pointer (SP) for interrupts and calls.

There are two classes of instruction: MCU and DSP. These two instruction classes are seamlessly integrated into a single CPU. The instruction set includes many addressing modes and is designed for optimum C compiler efficiency. For most instructions, the devices are capable of executing a data (or program data) memory read, a working register (data) read, a data memory write and a program (instruction) memory read per instruction cycle. As a result, three parameter instructions can be supported, allowing  $A + B = C$  operations to be executed in a single cycle.

A block diagram of the CPU is shown in [Figure 3-1](#), and the programmer’s model is shown in [Figure 3-2](#).

## 3.1 Data Addressing Overview

The data space can be addressed as 32K words or 64 Kbytes and is split into two blocks, referred to as X and Y data memory. Each memory block has its own independent Address Generation Unit (AGU). The MCU class of instructions operates solely through the X memory AGU, which accesses the entire memory map as one linear data space. Certain DSP instructions operate through the X and Y AGUs to support dual operand reads, which splits the data address space into two parts. The X and Y data space boundary is device-specific.

Overhead-free circular buffers (Modulo Addressing mode) are supported in both X and Y address spaces. The Modulo Addressing removes the software boundary checking overhead for DSP algorithms. Furthermore, the X AGU Circular Addressing can be used with any of the MCU class of instructions. The X AGU also supports Bit-Reversed Addressing to greatly simplify input or output data reordering for radix-2 FFT algorithms.

The upper 32 Kbytes of the data space memory map can optionally be mapped into program space at any 16K program word boundary defined by the 8-bit Program Space Visibility Page (PSVPAG) register. The program-to-data space mapping feature lets any instruction access program space as if it were data space.

## 3.2 DSP Engine Overview

The DSP engine features a high-speed, 17-bit by 17-bit multiplier, a 40-bit ALU, two 40-bit saturating accumulators and a 40-bit bidirectional barrel shifter. The barrel shifter is capable of shifting a 40-bit value up to 16 bits, right or left, in a single cycle. The DSP instructions operate seamlessly with all other instructions and have been designed for optimal real-time performance. The MAC instruction and other associated instructions can concurrently fetch two data operands from memory while multiplying two W registers and accumulating and optionally saturating the result in the same cycle. This instruction functionality requires that the RAM data space be split for these instructions and linear for all others. Data space partitioning is achieved in a transparent and flexible manner through dedicating certain working registers to each address space.

### 3.3 Special MCU Features

A 17-bit by 17-bit single-cycle multiplier is shared by both the MCU ALU and DSP engine. The multiplier can perform signed, unsigned and mixed-sign multiplication. Using a 17-bit by 17-bit multiplier for 16-bit by 16-bit multiplication not only allows you to perform mixed-sign multiplication, it also achieves accurate results for special operations, such as  $(-1.0) \times (-1.0)$ .

The 16/16 and 32/16 divide operations are supported, both fractional and integer. All divide instructions are iterative operations. They must be executed within a REPEAT loop, resulting in a total execution time of 19 instruction cycles. The divide operation can be interrupted during any of those 19 cycles without loss of data.

A 40-bit barrel shifter is used to perform up to a 16-bit left or right shift in a single cycle. The barrel shifter can be used by both MCU and DSP instructions.

FIGURE 3-1: CPU CORE BLOCK DIAGRAM



FIGURE 3-2: PROGRAMMER'S MODEL



## 3.4 CPU Control Registers

**REGISTER 3-1: SR: CPU STATUS REGISTER**

|        |     |                   |                   |     |                      |     |       |
|--------|-----|-------------------|-------------------|-----|----------------------|-----|-------|
| R-0    | R-0 | R/C-0             | R/C-0             | R-0 | R/C-0                | R-0 | R/W-0 |
| OA     | OB  | SA <sup>(1)</sup> | SB <sup>(1)</sup> | OAB | SAB <sup>(1,4)</sup> | DA  | DC    |
| bit 15 |     |                   |                   |     |                      |     | bit 8 |

|                         |                      |                      |     |       |       |       |       |
|-------------------------|----------------------|----------------------|-----|-------|-------|-------|-------|
| R/W-0 <sup>(3)</sup>    | R/W-0 <sup>(3)</sup> | R/W-0 <sup>(3)</sup> | R-0 | R/W-0 | R/W-0 | R/W-0 | R/W-0 |
| IPL<2:0> <sup>(2)</sup> |                      |                      | RA  | N     | OV    | Z     | C     |
| bit 7                   |                      |                      |     |       |       |       | bit 0 |

**Legend:**

|                   |                      |                                    |
|-------------------|----------------------|------------------------------------|
| C = Clearable bit | R = Readable bit     | U = Unimplemented bit, read as '0' |
| S = Settable bit  | W = Writable bit     | -n = Value at POR                  |
| '1' = Bit is set  | '0' = Bit is cleared | x = Bit is unknown                 |

- bit 15      **OA:** Accumulator A Overflow Status bit  
1 = Accumulator A overflowed  
0 = Accumulator A has not overflowed
- bit 14      **OB:** Accumulator B Overflow Status bit  
1 = Accumulator B overflowed  
0 = Accumulator B has not overflowed
- bit 13      **SA:** Accumulator A Saturation 'Sticky' Status bit<sup>(1)</sup>  
1 = Accumulator A is saturated or has been saturated at some time  
0 = Accumulator A is not saturated
- bit 12      **SB:** Accumulator B Saturation 'Sticky' Status bit<sup>(1)</sup>  
1 = Accumulator B is saturated or has been saturated at some time  
0 = Accumulator B is not saturated
- bit 11      **OAB:** OA || OB Combined Accumulator Overflow Status bit  
1 = Accumulators A or B have overflowed  
0 = Neither Accumulators A or B have overflowed
- bit 10      **SAB:** SA || SB Combined Accumulator 'Sticky' Status bit<sup>(1,4)</sup>  
1 = Accumulators A or B are saturated or have been saturated at some time in the past  
0 = Neither Accumulator A or B are saturated
- bit 9        **DA:** DO Loop Active bit  
1 = DO loop in progress  
0 = DO loop not in progress
- bit 8        **DC:** MCU ALU Half Carry/Borrow bit  
1 = A carry-out from the 4th low-order bit (for byte-sized data) or 8th low-order bit (for word-sized data) of the result occurred  
0 = No carry-out from the 4th low-order bit (for byte-sized data) or 8th low-order bit (for word-sized data) of the result occurred

- Note 1:** This bit can be read or cleared (not set).
- Note 2:** The IPL<2:0> bits are concatenated with the IPL3 bit (CORCON<3>) to form the CPU Interrupt Priority Level (IPL). The value in parentheses indicates the IPL if IPL3 = 1. User interrupts are disabled when IPL3 = 1.
- Note 3:** The IPL<2:0> Status bits are read-only when NSTDIS = 1 (INTCON1<15>).
- Note 4:** Clearing this bit will clear SA and SB.

## REGISTER 3-1: SR: CPU STATUS REGISTER (CONTINUED)

- bit 7-5 **IPL<2:0>**: CPU Interrupt Priority Level Status bits<sup>(2,3)</sup>
- 111 = CPU Interrupt Priority Level is 7 (15), user interrupts disabled
  - 110 = CPU Interrupt Priority Level is 6 (14)
  - 101 = CPU Interrupt Priority Level is 5 (13)
  - 100 = CPU Interrupt Priority Level is 4 (12)
  - 011 = CPU Interrupt Priority Level is 3 (11)
  - 010 = CPU Interrupt Priority Level is 2 (10)
  - 001 = CPU Interrupt Priority Level is 1 (9)
  - 000 = CPU Interrupt Priority Level is 0 (8)
- bit 4 **RA**: REPEAT Loop Active bit
- 1 = REPEAT loop in progress
  - 0 = REPEAT loop not in progress
- bit 3 **N**: MCU ALU Negative bit
- 1 = Result was negative
  - 0 = Result was non-negative (zero or positive)
- bit 2 **OV**: MCU ALU Overflow bit
- This bit is used for signed arithmetic (2's complement). It indicates an overflow of a magnitude that causes the sign bit to change state.
- 1 = Overflow occurred for signed arithmetic (in this arithmetic operation)
  - 0 = No overflow occurred
- bit 1 **Z**: MCU ALU Zero bit
- 1 = An operation that affects the Z bit has set it at some time in the past
  - 0 = The most recent operation that affects the Z bit has cleared it (i.e., a non-zero result)
- bit 0 **C**: MCU ALU Carry/Borrow bit
- 1 = A carry-out from the Most Significant bit of the result occurred
  - 0 = No carry-out from the Most Significant bit of the result occurred

- Note 1:** This bit can be read or cleared (not set).
- 2:** The IPL<2:0> bits are concatenated with the IPL3 bit (CORCON<3>) to form the CPU Interrupt Priority Level (IPL). The value in parentheses indicates the IPL if IPL3 = 1. User interrupts are disabled when IPL3 = 1.
- 3:** The IPL<2:0> Status bits are read-only when NSTDIS = 1 (INTCON1<15>).
- 4:** Clearing this bit will clear SA and SB.

# dsPIC33FJ06GS001/101A/102A/202A and dsPIC33FJ09GS302

## REGISTER 3-2: CORCON: CORE CONTROL REGISTER

|        |     |     |       |                    |         |     |       |
|--------|-----|-----|-------|--------------------|---------|-----|-------|
| U-0    | U-0 | U-0 | R/W-0 | R/W-0              | R-0     | R-0 | R-0   |
| —      | —   | —   | US    | EDT <sup>(1)</sup> | DL<2:0> |     |       |
| bit 15 |     |     |       |                    |         |     | bit 8 |

|       |       |       |        |                     |       |       |       |
|-------|-------|-------|--------|---------------------|-------|-------|-------|
| R/W-0 | R/W-0 | R/W-1 | R/W-0  | R/C-0               | R/W-0 | R/W-0 | R/W-0 |
| SATA  | SATB  | SATDW | ACCSAT | IPL3 <sup>(2)</sup> | PSV   | RND   | IF    |
| bit 7 |       |       |        |                     |       |       | bit 0 |

|                     |                      |                                    |                  |
|---------------------|----------------------|------------------------------------|------------------|
| <b>Legend:</b>      | C = Clearable bit    |                                    |                  |
| R = Readable bit    | W = Writable bit     | -n = Value at POR                  | '1' = Bit is set |
| 0' = Bit is cleared | 'x' = Bit is unknown | U = Unimplemented bit, read as '0' |                  |

- bit 15-13     **Unimplemented:** Read as '0'
- bit 12       **US:** DSP Multiply Unsigned/Signed Control bit
  - 1 = DSP engine multiplies are unsigned
  - 0 = DSP engine multiplies are signed
- bit 11       **EDT:** Early  $\text{DO}$  Loop Termination Control bit<sup>(1)</sup>
  - 1 = Terminate executing  $\text{DO}$  loop at end of current loop iteration
  - 0 = No effect
- bit 10-8     **DL<2:0>:**  $\text{DO}$  Loop Nesting Level Status bits
  - 111 = 7  $\text{DO}$  loops active
  - 
  - 
  - 
  - 001 = 1  $\text{DO}$  loop active
  - 000 = 0  $\text{DO}$  loops active
- bit 7        **SATA:** ACCA Saturation Enable bit
  - 1 = Accumulator A saturation is enabled
  - 0 = Accumulator A saturation is disabled
- bit 6        **SATB:** ACCB Saturation Enable bit
  - 1 = Accumulator B saturation is enabled
  - 0 = Accumulator B saturation is disabled
- bit 5        **SATDW:** Data Space Write from DSP Engine Saturation Enable bit
  - 1 = Data space write saturation is enabled
  - 0 = Data space write saturation is disabled
- bit 4        **ACCSAT:** Accumulator Saturation Mode Select bit
  - 1 = 9.31 saturation (super saturation)
  - 0 = 1.31 saturation (normal saturation)
- bit 3        **IPL3:** CPU Interrupt Priority Level Status bit 3<sup>(2)</sup>
  - 1 = CPU Interrupt Priority Level is greater than 7
  - 0 = CPU Interrupt Priority Level is 7 or less
- bit 2        **PSV:** Program Space Visibility in Data Space Enable bit
  - 1 = Program space is visible in data space
  - 0 = Program space is not visible in data space
- bit 1        **RND:** Rounding Mode Select bit
  - 1 = Biased (conventional) rounding is enabled
  - 0 = Unbiased (convergent) rounding is enabled
- bit 0        **IF:** Integer or Fractional Multiplier Mode Select bit
  - 1 = Integer mode enabled for DSP multiply ops
  - 0 = Fractional mode enabled for DSP multiply ops

- Note 1:** This bit will always read as '0'.
- Note 2:** The IPL3 bit is concatenated with the IPL<2:0> bits (SR<7:5>) to form the CPU Interrupt Priority Level.

**3.5 Arithmetic Logic Unit (ALU)**

The ALU is 16 bits wide and is capable of addition, subtraction, bit shifts and logic operations. Unless otherwise mentioned, arithmetic operations are 2's complement in nature. Depending on the operation, the ALU can affect the values of the Carry (C), Zero (Z), Negative (N), Overflow (OV) and Digit Carry (DC) Status bits in the SR register. The C and DC Status bits operate as Borrow and Digit Borrow bits, respectively, for subtraction operations.

The ALU can perform 8-bit or 16-bit operations, depending on the mode of the instruction that is used. Data for the ALU operation can come from the W register array or data memory, depending on the addressing mode of the instruction. Likewise, output data from the ALU can be written to the W register array or a data memory location.

Refer to the "16-Bit MCU and DSC Programmer's Reference Manual" (DS70157) for information on the SR bits affected by each instruction.

The CPU incorporates hardware support for both multiplication and division. This includes a dedicated hardware multiplier and support hardware for 16-bit divisor division.

**3.5.1 MULTIPLIER**

Using the high-speed, 17-bit x 17-bit multiplier of the DSP engine, the ALU supports unsigned, signed or mixed-sign operation in several MCU multiplication modes:

- 16-bit x 16-bit signed
- 16-bit x 16-bit unsigned
- 16-bit signed x 5-bit (literal) unsigned
- 16-bit unsigned x 16-bit unsigned
- 16-bit unsigned x 5-bit (literal) unsigned
- 16-bit unsigned x 16-bit signed
- 8-bit unsigned x 8-bit unsigned

**3.5.2 DIVIDER**

The divide block supports 32-bit/16-bit and 16-bit/16-bit signed and unsigned integer divide operations with the following data sizes:

- 32-bit signed/16-bit signed divide
- 32-bit unsigned/16-bit unsigned divide
- 16-bit signed/16-bit signed divide
- 16-bit unsigned/16-bit unsigned divide

The quotient for all divide instructions ends up in W0 and the remainder in W1. 16-bit signed and unsigned DIV instructions can specify any W register for both the 16-bit divisor (Wn) and any W register (aligned) pair (W(m + 1):Wm) for the 32-bit dividend. The divide algorithm takes one cycle per bit of divisor, so both 32-bit/16-bit and 16-bit/16-bit instructions take the same number of cycles to execute.

**3.6 DSP Engine**

The DSP engine consists of a high-speed, 17-bit x 17-bit multiplier, a barrel shifter and a 40-bit adder/subtractor (with two target accumulators, round and saturation logic).

The dsPIC33FJ06GS001/101A/102A/202A and dsPIC33FJ09GS302 devices feature a single-cycle instruction flow architecture; therefore, concurrent operation of the DSP engine with MCU instruction flow is not possible. However, some MCU ALU and DSP engine resources can be used concurrently by the same instruction (for example, ED, EDAC).

The DSP engine can also perform inherent accumulator-to-accumulator operations that require no additional data. These instructions are ADD, SUB and NEG.

The DSP engine has options selected through bits in the CPU Core Control register (CORCON), as listed below:

- Fractional or Integer DSP Multiply (IF)
- Signed or Unsigned DSP Multiply (US)
- Conventional or Convergent Rounding (RND)
- Automatic Saturation On/Off for ACCA (SATA)
- Automatic Saturation On/Off for ACCB (SATB)
- Automatic Saturation On/Off for Writes to Data Memory (SATDW)
- Accumulator Saturation mode Selection (ACCSAT)

A block diagram of the DSP engine is shown in [Figure 3-3](#).

**TABLE 3-1: DSP INSTRUCTIONS SUMMARY**

| Instruction | Algebraic Operation | ACC Write Back |
|-------------|---------------------|----------------|
| CLR         | $A = 0$             | Yes            |
| ED          | $A = (x - y)^2$     | No             |
| EDAC        | $A = A + (x - y)^2$ | No             |
| MAC         | $A = A + (x * y)$   | Yes            |
| MAC         | $A = A + x^2$       | No             |
| MOVSAC      | No change in A      | Yes            |
| MPY         | $A = x * y$         | No             |
| MPY         | $A = x^2$           | No             |
| MPY.N       | $A = -x * y$        | No             |
| MSC         | $A = A - x * y$     | Yes            |

FIGURE 3-3: DSP ENGINE BLOCK DIAGRAM





## 3.6.1 MULTIPLIER

The 17-bit x 17-bit multiplier is capable of signed or unsigned operation and can multiplex its output using a scaler to support either 1.31 fractional (Q31) or 32-bit integer results. Unsigned operands are zero-extended into the 17th bit of the multiplier input value. Signed operands are sign-extended into the 17th bit of the multiplier input value. The output of the 17-bit x 17-bit multiplier/scaler is a 33-bit value that is sign-extended to 40 bits. Integer data is inherently represented as a signed 2's complement value, where the Most Significant bit (MSb) is defined as a sign bit. The range of an N-bit 2's complement integer is  $-2^{N-1}$  to  $2^{N-1} - 1$ .

- For a 16-bit integer, the data range is -32768 (0x8000) to 32767 (0x7FFF) including 0
- For a 32-bit integer, the data range is -2,147,483,648 (0x8000 0000) to 2,147,483,647 (0x7FFF FFFF)

When the multiplier is configured for fractional multiplication, the data is represented as a 2's complement fraction, where the MSb is defined as a sign bit and the radix point is implied to lie just after the sign bit (QX format). The range of an N-bit 2's complement fraction with this implied radix point is  $-1.0$  to  $(1 - 2^{1-N})$ . For a 16-bit fraction, the Q15 data range is -1.0 (0x8000) to 0.999969482 (0x7FFF) including 0 and has a precision of  $3.01518 \times 10^{-5}$ . In Fractional mode, the 16 x 16 multiply operation generates a 1.31 product that has a precision of  $4.65661 \times 10^{-10}$ .

The same multiplier is used to support the MCU multiply instructions, which include integer 16-bit signed, unsigned and mixed-sign multiply operations.

The MUL instruction can be directed to use byte or word-sized operands. Byte operands will direct a 16-bit result, and word operands will direct a 32-bit result to the specified register(s) in the W array.

## 3.6.2 DATA ACCUMULATORS AND ADDER/SUBTRACTER

The data accumulator consists of a 40-bit adder/subtractor with automatic sign extension logic. It can select one of two accumulators (A or B) as its pre-accumulation source and post-accumulation destination. For the ADD and LAC instructions, the data to be accumulated or loaded can be optionally scaled using the barrel shifter prior to accumulation.

### 3.6.2.1 Adder/Subtractor, Overflow and Saturation

The adder/subtractor is a 40-bit adder with an optional zero input into one side, and either true or complement data into the other input.

- In the case of addition, the Carry/Borrow input is active-high and the other input is true data (not complemented)
- In the case of subtraction, the Carry/Borrow input is active-low and the other input is complemented

The adder/subtractor generates Overflow Status bits, SA/SB and OA/OB, which are latched and reflected in the STATUS register:

- Overflow from bit 39: This is a catastrophic overflow in which the sign of the accumulator is destroyed
- Overflow into guard bits, 32 through 39: This is a recoverable overflow. This bit is set whenever all the guard bits are not identical to each other.

The adder has an additional saturation block that controls accumulator data saturation, if selected. It uses the result of the adder, the Overflow Status bits described previously and the SAT<A:B> (CORCON<7:6>) and ACCSAT (CORCON<4>) mode control bits to determine when and to what value to saturate.

Six STATUS register bits support saturation and overflow:

- OA: ACCA overflowed into guard bits
- OB: ACCB overflowed into guard bits
- SA: ACCA saturated (bit 31 overflow and saturation)  
or  
ACCA overflowed into guard bits and saturated (bit 39 overflow and saturation)
- SB: ACCB saturated (bit 31 overflow and saturation)  
or  
ACCB overflowed into guard bits and saturated (bit 39 overflow and saturation)
- OAB: Logical OR of OA and OB
- SAB: Logical OR of SA and SB

The OA and OB bits are modified each time data passes through the adder/subtractor. When set, they indicate that the most recent operation has overflowed into the accumulator guard bits (bits 32 through 39). The OA and OB bits can also optionally generate an arithmetic warning trap when set and the corresponding Overflow Trap Enable bits (OVATE, OVBTE) in the INTCON1 register are set (refer to [Section 7.0 "Interrupt Controller"](#)). This allows the user application to take immediate action, for example, to correct system gain.

The SA and SB bits are modified each time data passes through the adder/subtractor, but can only be cleared by the user application. When set, they indicate that the accumulator has overflowed its maximum range (bit 31 for 32-bit saturation or bit 39 for 40-bit saturation) and will be saturated (if saturation is enabled). When saturation is not enabled, SA and SB default to bit 39 overflow and thus, indicate that a catastrophic overflow has occurred. If the COVTE bit in the INTCON1 register is set, SA and SB bits will generate an arithmetic warning trap when saturation is disabled.

The Overflow and Saturation Status bits can optionally be viewed in the STATUS Register (SR) as the logical OR of OA and OB (in bit OAB) and the logical OR of SA and SB (in bit SAB). Programmers can check one bit in the STATUS Register to determine if either accumulator has overflowed, or one bit to determine if either accumulator has saturated. This is useful for complex number arithmetic, which typically uses both accumulators.

The device supports three Saturation and Overflow modes:

- **Bit 39 Overflow and Saturation:**  
When bit 39 overflow and saturation occurs, the saturation logic loads the maximally positive 9.31 (0x7FFFFFFF) or maximally negative 9.31 value (0x80000000) into the target accumulator. The SA or SB bit is set and remains set until cleared by the user application. This condition is referred to as 'super saturation' and provides protection against erroneous data or unexpected algorithm problems (such as gain calculations).
- **Bit 31 Overflow and Saturation:**  
When bit 31 overflow and saturation occurs, the saturation logic then loads the maximally positive 1.31 value (0x07FFFFFF) or maximally negative 1.31 value (0x08000000) into the target accumulator. The SA or SB bit is set and remains set until cleared by the user application. When this Saturation mode is in effect, the guard bits are not used, so the OA, OB or OAB bits are never set.
- **Bit 39 Catastrophic Overflow:**  
Bit 39 Overflow Status bit, from the adder, is used to set the SA or SB bit, which remains set until cleared by the user application. No saturation operation is performed, and the accumulator is allowed to overflow, destroying its sign. If the COVTE bit in the INTCON1 register is set, a catastrophic overflow can initiate a trap exception.

### 3.6.3 ACCUMULATOR 'WRITE BACK'

The MAC class of instructions (with the exception of MPY, MPY.N, ED and EDAC) can optionally write a rounded version of the high word (bits 31 through 16) of the accumulator that is not targeted by the instruction into data space memory. The write is performed across the X bus into combined X and Y address space. The following addressing modes are supported:

- **W13, Register Direct:**  
The rounded contents of the non-target accumulator are written into W13 as a 1.15 fraction.
- **[W13] + = 2, Register Indirect with Post-Increment:**  
The rounded contents of the non-target accumulator are written into the address pointed to by W13 as a 1.15 fraction. W13 is then incremented by 2 (for a word write).

### 3.6.3.1 Round Logic

The round logic is a combinational block that performs a conventional (biased) or convergent (unbiased) round function during an accumulator write (store). The Round mode is determined by the state of the RND bit in the CORCON register. It generates a 16-bit, 1.15 data value that is passed to the data space write saturation logic. If rounding is not indicated by the instruction, a truncated 1.15 data value is stored and the least significant word is simply discarded.

Conventional rounding zero-extends bit 15 of the accumulator and adds it to the ACCxH word (bits 16 through 31 of the accumulator).

- If the ACCxL word (bits 0 through 15 of the accumulator) is between 0x8000 and 0xFFFF (0x8000 included), ACCxH is incremented
- If ACCxL is between 0x0000 and 0x7FFF, ACCxH is left unchanged

A consequence of this algorithm is that over a succession of random rounding operations, the value tends to be biased slightly positive.

Convergent (or unbiased) rounding operates in the same manner as conventional rounding, except when ACCxL equals 0x8000. In this case, the Least Significant bit (bit 16 of the accumulator) of ACCxH is examined:

- If it is '1', ACCxH is incremented
- If it is '0', ACCxH is not modified

Assuming that bit 16 is effectively random in nature, this scheme removes any rounding bias that may accumulate.

The SAC and SAC.R instructions store either a truncated (SAC), or rounded (SAC.R) version of the contents of the target accumulator to data memory via the X bus, subject to data saturation (see [Section 3.6.3.2 "Data Space Write Saturation"](#)). For the MAC class of instructions, the accumulator write-back operation functions in the same manner, addressing combined MCU (X and Y) data space through the X bus. For this class of instructions, the data is always subject to rounding.'

## 3.6.3.2 Data Space Write Saturation

In addition to adder/subtractor saturation, writes to data space can also be saturated, but without affecting the contents of the source accumulator. The data space write saturation logic block accepts a 16-bit, 1.15 fractional value from the round logic block as its input, together with overflow status from the original source (accumulator) and the 16-bit round adder. These inputs are combined and used to select the appropriate 1.15 fractional value as output to write to data space memory.

If the SATDW bit in the CORCON register is set, data (after rounding or truncation) is tested for overflow and adjusted accordingly:

- For input data greater than 0x007FFF, data written to memory is forced to the maximum positive 1.15 value, 0x7FFF
- For input data less than 0xFF8000, data written to memory is forced to the maximum negative 1.15 value, 0x8000

The Most Significant bit of the source (bit 39) is used to determine the sign of the operand being tested.

If the SATDW bit in the CORCON register is not set, the input data is always passed through unmodified under all conditions.

## 3.6.4 BARREL SHIFTER

The barrel shifter can perform up to 16-bit arithmetic or logic right shifts, or up to 16-bit left shifts in a single cycle. The source can be either of the two DSP accumulators or the X bus (to support multi-bit shifts of register or memory data).

The shifter requires a signed binary value to determine both the magnitude (number of bits) and direction of the shift operation. A positive value shifts the operand right. A negative value shifts the operand left. A value of '0' does not modify the operand.

The barrel shifter is 40 bits wide, thereby obtaining a 40-bit result for DSP shift operations and a 16-bit result for MCU shift operations. Data from the X bus is presented to the barrel shifter between bit positions 16 and 31 for right shifts, and between bit positions 0 and 15 for left shifts.

NOTES:

## 4.0 MEMORY ORGANIZATION

**Note:** This data sheet summarizes the features of the dsPIC33FJ06GS001/101A/102A/202A and dsPIC33FJ09GS302 families of devices. It is not intended to be a comprehensive reference source. To complement the information in this data sheet, refer to **Section 4. “Program Memory”** (DS70203) in the “dsPIC33F/PIC24H Family Reference Manual”, which is available from the Microchip web site ([www.microchip.com](http://www.microchip.com)).

The device architecture features separate program and data memory spaces and buses. This architecture also allows the direct access to program memory from the data space during code execution.

## 4.1 Program Address Space

The device program address memory space is 4M instructions. The space is addressable by a 24-bit value derived either from the 23-bit Program Counter (PC) during program execution, or from table operation or data space remapping as described in **Section 4.7 “Interfacing Program and Data Memory Spaces”**.

User application access to the program memory space is restricted to the lower half of the address range (0x000000 to 0x7FFFFFFF). The exception is the use of TBLRD/TBLWT operations, which use TBLPAG<7> to permit access to the constant current source trim value and Device ID sections of the configuration memory space.

The device memory maps are shown in **Figure 4-1**.

**FIGURE 4-1: PROGRAM MEMORY MAPS FOR dsPIC33FJ06GS001/101A/102A/202A and dsPIC33FJ09GS302 DEVICES**



## 4.1.1 PROGRAM MEMORY ORGANIZATION

The program memory space is organized in word-addressable blocks. Although it is treated as 24 bits wide, it is more appropriate to think of each address of the program memory as a lower and upper word, with the upper byte of the upper word being unimplemented. The lower word always has an even address, while the upper word has an odd address (see Figure 4-2).

Program memory addresses are always word-aligned on the lower word, and addresses are incremented or decremented by two during the code execution. This arrangement provides compatibility with data memory space addressing and makes data in the program memory space accessible.

## 4.1.2 INTERRUPT AND TRAP VECTORS

All devices reserve the addresses between 0x00000 and 0x000200 for hard-coded program execution vectors. A hardware Reset vector is provided to redirect code execution from the default value of the PC on device Reset to the actual start of code. A GOTO instruction is programmed by the user application at 0x000000, with the actual address for the start of code at 0x000002.

The devices also have two interrupt vector tables, located from 0x000004 to 0x0000FF and 0x000100 to 0x0001FF. These vector tables allow each of the device interrupt sources to be handled by separate Interrupt Service Routines (ISRs). A more detailed discussion of the interrupt vector tables is provided in Section 7.1 “Interrupt Vector Table”.

**FIGURE 4-2: PROGRAM MEMORY ORGANIZATION**



## 4.2 Data Address Space

The CPU has a separate, 16-bit wide data memory space. The data space is accessed using separate Address Generation Units (AGUs) for read and write operations. The data memory maps are shown in Figure 4-3.

All Effective Addresses (EAs) in the data memory space are 16 bits wide and point to bytes within the data space. This arrangement gives a data space address range of 64 Kbytes or 32K words. The lower half of the data memory space (that is, when  $EA_{<15>} = 0$ ) is used for implemented memory addresses, while the upper half ( $EA_{<15>} = 1$ ) is reserved for the Program Space Visibility area (see Section 4.7.3 “Reading Data from Program Memory Using Program Space Visibility”).

All devices implement up to 1 Kbyte of data memory. Should an EA point to a location outside of this area, an all-zero word or byte will be returned.

### 4.2.1 DATA SPACE WIDTH

The data memory space is organized in byte-addressable, 16-bit wide blocks. Data is aligned in data memory and registers as 16-bit words, but all data space EAs resolve to bytes. The Least Significant Bytes (LSBs) of each word have even addresses, while the Most Significant Bytes (MSBs) have odd addresses.

### 4.2.2 DATA MEMORY ORGANIZATION AND ALIGNMENT

To maintain backward compatibility with PIC® MCU devices and improve data space memory usage efficiency, the instruction set supports both word and byte operations. As a consequence of byte accessibility, all Effective Address calculations are internally scaled to step through word-aligned memory. For example, the core recognizes Post-Modified Register Indirect Addressing mode [ $Ws++$ ], which results in a value of  $Ws + 1$  for byte operations and  $Ws + 2$  for word operations.

Data byte reads will read the complete word that contains the byte, using the LSb of any EA to determine which byte to select. The selected byte is placed onto the LSB of the data path. That is, data memory and registers are organized as two parallel byte-wide entities with shared (word) address decode but separate write lines. Data byte writes only write to the corresponding side of the array or register that matches the byte address.

All word accesses must be aligned to an even address. Misaligned word data fetches are not supported, so care must be taken when mixing byte and word operations, or translating from 8-bit MCU code. If a misaligned read or write is attempted, an address error trap is generated. If the error occurred on a read, the instruction underway is completed. If the error occurred on a write, the instruction is executed but the write does not occur. In either case, a trap is then executed, allowing the system and/or user application to examine the machine state prior to execution of the address Fault.

All byte loads into any W register are loaded into the Least Significant Byte. The Most Significant Byte is not modified.

A Sign-Extend (SE) instruction is provided to allow user applications to translate 8-bit signed data to 16-bit signed values. Alternatively, for 16-bit unsigned data, user applications can clear the MSB of any W register by executing a Zero-Extend (ZE) instruction on the appropriate address.

### 4.2.3 SFR SPACE

The first 2 Kbytes of the Near Data Space, from 0x0000 to 0x07FF, is primarily occupied by Special Function Registers (SFRs). These are used by the core and peripheral modules for controlling the operation of the device.

SFRs are distributed among the modules that they control, and are generally grouped together by module. Much of the SFR space contains unused addresses; these are read as ‘0’.

**Note:** The actual set of peripheral features and interrupts varies by the device. Refer to the corresponding device tables and pinout diagrams for device-specific information.

### 4.2.4 NEAR DATA SPACE

The 8-Kbyte area between 0x0000 and 0x1FFF is referred to as the Near Data Space. Locations in this space are directly addressable via a 13-bit absolute address field within all memory direct instructions. Additionally, the whole data space is addressable using MOV instructions, which support Memory Direct Addressing mode with a 16-bit address field, or by using Indirect Addressing mode using a working register as an Address Pointer.

# dsPIC33FJ06GS001/101A/102A/202A and dsPIC33FJ09GS302

**FIGURE 4-3: DATA MEMORY MAP FOR dsPIC33FJ06GS001/101A/102A DEVICES WITH 256 BYTES OF RAM**





FIGURE 4-4: DATA MEMORY MAP FOR THE dsPIC33FJ09GS302 DEVICE WITH 1 KB RAM



### 4.2.5 X AND Y DATA SPACES

The core has two data spaces, X and Y. These data spaces can be considered either separate (for some DSP instructions), or as one unified linear address range (for MCU instructions). The data spaces are accessed using two Address Generation Units (AGUs) and separate data paths. This feature allows certain instructions to concurrently fetch two words from RAM, thereby enabling efficient execution of DSP algorithms, such as Finite Impulse Response (FIR) filtering and Fast Fourier Transform (FFT).

The X data space is used by all instructions and supports all addressing modes. X data space has separate read and write data buses. The X read data bus is the read data path for all instructions that view data space as combined X and Y address space. It is also the X data prefetch path for the dual operand DSP instructions (MAC class).

The Y data space is used in concert with the X data space by the MAC class of instructions (CLR, ED, EDAC, MAC, MOV SAC, MPY, MPY.N and MSC) to provide two concurrent data read paths.

Both the X and Y data spaces support Modulo Addressing mode for all instructions, subject to addressing mode restrictions. Bit-Reversed Addressing mode is only supported for writes to X data space.

All data memory writes, included in DSP instructions, view data space as combined X and Y address space. The boundary between the X and Y data spaces is device-dependent and is not user-programmable.

All Effective Addresses are 16 bits wide and point to bytes within the data space. Therefore, the data space address range is 64 Kbytes, or 32K words, though the implemented memory locations vary by device.

### 4.3 Special Function Register Maps

**TABLE 4-1: CPU CORE REGISTER MAP**

| SFR Name | SFR Addr | Bit 15                            | Bit 14   | Bit 13   | Bit 12   | Bit 11   | Bit 10   | Bit 9    | Bit 8    | Bit 7    | Bit 6    | Bit 5    | Bit 4    | Bit 3    | Bit 2    | Bit 1    | Bit 0    | All Resets  |      |
|----------|----------|-----------------------------------|----------|----------|----------|----------|----------|----------|----------|----------|----------|----------|----------|----------|----------|----------|----------|---|------|
| WREG0    | 0000     | Working Register 0                |          |          |          |          |          |          |          |          |          |          |          |          |          |          |          | 0000  |      |
| WREG1    | 0002     | Working Register 1                |          |          |          |          |          |          |          |          |          |          |          |          |          |          |          | 0000  |      |
| WREG2    | 0004     | Working Register 2                |          |          |          |          |          |          |          |          |          |          |          |          |          |          |          | 0000  |      |
| WREG3    | 0006     | Working Register 3                |          |          |          |          |          |          |          |          |          |          |          |          |          |          |          | 0000  |      |
| WREG4    | 0008     | Working Register 4                |          |          |          |          |          |          |          |          |          |          |          |          |          |          |          | 0000  |      |
| WREG5    | 000A     | Working Register 5                |          |          |          |          |          |          |          |          |          |          |          |          |          |          |          | 0000  |      |
| WREG6    | 000C     | Working Register 6                |          |          |          |          |          |          |          |          |          |          |          |          |          |          |          | 0000  |      |
| WREG7    | 000E     | Working Register 7                |          |          |          |          |          |          |          |          |          |          |          |          |          |          |          | 0000  |      |
| WREG8    | 0010     | Working Register 8                |          |          |          |          |          |          |          |          |          |          |          |          |          |          |          | 0000  |      |
| WREG9    | 0012     | Working Register 9                |          |          |          |          |          |          |          |          |          |          |          |          |          |          |          | 0000  |      |
| WREG10   | 0014     | Working Register 10               |          |          |          |          |          |          |          |          |          |          |          |          |          |          |          | 0000  |      |
| WREG11   | 0016     | Working Register 11               |          |          |          |          |          |          |          |          |          |          |          |          |          |          |          | 0000  |      |
| WREG12   | 0018     | Working Register 12               |          |          |          |          |          |          |          |          |          |          |          |          |          |          |          | 0000  |      |
| WREG13   | 001A     | Working Register 13               |          |          |          |          |          |          |          |          |          |          |          |          |          |          |          | 0000  |      |
| WREG14   | 001C     | Working Register 14               |          |          |          |          |          |          |          |          |          |          |          |          |          |          |          | 0000  |      |
| WREG15   | 001E     | Working Register 15               |          |          |          |          |          |          |          |          |          |          |          |          |          |          |          | 0800  |      |
| SPLIM    | 0020     | Stack Pointer Limit Register      |          |          |          |          |          |          |          |          |          |          |          |          |          |          |          | xxxx  |      |
| ACCAL    | 0022     | ACCAL                             |          |          |          |          |          |          |          |          |          |          |          |          |          |          |          | xxxx  |      |
| ACCAH    | 0024     | ACCAH                             |          |          |          |          |          |          |          |          |          |          |          |          |          |          |          | xxxx  |      |
| ACCAU    | 0026     | ACCA<39>                          | ACCA<39> | ACCA<39> | ACCA<39> | ACCA<39> | ACCA<39> | ACCA<39> | ACCA<39> | ACCA<39> | ACCA<39> | ACCA<39> | ACCA<39> | ACCA<39> | ACCA<39> | ACCA<39> | ACCA<39> | ACCAU   | xxxx |
| ACCBL    | 0028     | ACCBL                             |          |          |          |          |          |          |          |          |          |          |          |          |          |          |          | xxxx  |      |
| ACCBH    | 002A     | ACCBH                             |          |          |          |          |          |          |          |          |          |          |          |          |          |          |          | xxxx  |      |
| ACCBU    | 002C     | ACCB<39>                          | ACCB<39> | ACCB<39> | ACCB<39> | ACCB<39> | ACCB<39> | ACCB<39> | ACCB<39> | ACCB<39> | ACCB<39> | ACCB<39> | ACCB<39> | ACCB<39> | ACCB<39> | ACCB<39> | ACCB<39> | ACCBU   | xxxx |
| PCL      | 002E     | Program Counter Low Word Register |          |          |          |          |          |          |          |          |          |          |          |          |          |          |          | 0000  |      |
| PCH      | 0030     | —                                 | —        | —        | —        | —        | —        | —        | —        | —        | —        | —        | —        | —        | —        | —        | —        | Program Counter High Byte Register                      | 0000 |
| TBLPAG   | 0032     | —                                 | —        | —        | —        | —        | —        | —        | —        | —        | —        | —        | —        | —        | —        | —        | —        | Table Page Address Pointer Register                     | 0000 |
| PSVPAG   | 0034     | —                                 | —        | —        | —        | —        | —        | —        | —        | —        | —        | —        | —        | —        | —        | —        | —        | Program Memory Visibility Page Address Pointer Register | 0000 |
| RCOUNT   | 0036     | Repeat Loop Counter Register      |          |          |          |          |          |          |          |          |          |          |          |          |          |          |          | xxxx  |      |
| DCOUNT   | 0038     | DCOUNT<15:0>                      |          |          |          |          |          |          |          |          |          |          |          |          |          |          |          | xxxx  |      |
| DOSTARTL | 003A     | DOSTARTL<15:1>                    |          |          |          |          |          |          |          |          |          |          |          |          |          |          |          | 0   | xxxx |
| DOSTARTH | 003C     | —                                 | —        | —        | —        | —        | —        | —        | —        | —        | —        | —        | —        | —        | —        | —        | —        | DOSTARTH<5:0>   | 00xx |
| DOENDL   | 003E     | DOENDL<15:1>                      |          |          |          |          |          |          |          |          |          |          |          |          |          |          |          | 0   | xxxx |
| DOENDH   | 0040     | —                                 | —        | —        | —        | —        | —        | —        | —        | —        | —        | —        | —        | —        | —        | —        | —        | DOENDH  | 00xx |
| SR       | 0042     | OA                                | OB       | SA       | SB       | OAB      | SAB      | DA       | DC       | IPL<2:0> |          |          | RA       | N        | OV       | Z        | C        | 0000  |      |

**Legend:** x = unknown value on Reset, — = unimplemented, read as '0'. Reset values are shown in hexadecimal.

**TABLE 4-1: CPU CORE REGISTER MAP (CONTINUED)**

| SFR Name | SFR Addr | Bit 15   | Bit 14   | Bit 13                              | Bit 12 | Bit 11   | Bit 10  | Bit 9 | Bit 8    | Bit 7 | Bit 6 | Bit 5    | Bit 4  | Bit 3 | Bit 2 | Bit 1 | Bit 0 | All Resets |
|----------|----------|----------|----------|-------------------------------------|--------|----------|---------|-------|----------|-------|-------|----------|--------|-------|-------|-------|-------|------------|
| CORCON   | 0044     | —        | —        | —                                   | US     | EDT      | DL<2:0> |       |          | SATA  | SATB  | SATDW    | ACCSAT | IPL3  | PSV   | RND   | IF    | 0020       |
| MODCON   | 0046     | XMODEN   | YMODEN   | —                                   | —      | BWM<3:0> |         |       | YWM<3:0> |       |       | XWM<3:0> |        |       | 0000  |       |       |            |
| XMODSRT  | 0048     | XS<15:1> |          |                                     |        |          |         |       |          |       |       |          |        |       |       |       | 0     | xxxx       |
| XMODEND  | 004A     | XE<15:1> |          |                                     |        |          |         |       |          |       |       |          |        |       |       |       | 1     | xxxx       |
| YMODSRT  | 004C     | YS<15:1> |          |                                     |        |          |         |       |          |       |       |          |        |       |       |       | 0     | xxxx       |
| YMODEND  | 004E     | YE<15:1> |          |                                     |        |          |         |       |          |       |       |          |        |       |       |       | 1     | xxxx       |
| XBREV    | 0050     | BREN     | XB<14:0> |                                     |        |          |         |       |          |       |       |          |        |       |       |       |       | xxxx       |
| DISICNT  | 0052     | —        | —        | Disable Interrupts Counter Register |        |          |         |       |          |       |       |          |        |       |       |       |       | xxxx       |

**Legend:** x = unknown value on Reset, — = unimplemented, read as '0'. Reset values are shown in hexadecimal.

**TABLE 4-2: CHANGE NOTIFICATION REGISTER MAP FOR dsPIC33FJ06GS001 AND dsPIC33FJ06GS101A**

| File Name | SFR Addr | Bit 15 | Bit 14 | Bit 13 | Bit 12 | Bit 11 | Bit 10 | Bit 9 | Bit 8 | Bit 7  | Bit 6  | Bit 5  | Bit 4  | Bit 3  | Bit 2  | Bit 1  | Bit 0  | All Resets |
|-----------|----------|--------|--------|--------|--------|--------|--------|-------|-------|--------|--------|--------|--------|--------|--------|--------|--------|------------|
| CNEN1     | 0060     | —      | —      | —      | —      | —      | —      | —     | —     | CN7IE  | CN6IE  | CN5IE  | CN4IE  | CN3IE  | CN2IE  | CN1IE  | CN0IE  | 0000       |
| CNPU1     | 0068     | —      | —      | —      | —      | —      | —      | —     | —     | CN7PUE | CN6PUE | CN5PUE | CN4PUE | CN3PUE | CN2PUE | CN1PUE | CN0PUE | 0000       |

**Legend:** x = unknown value on Reset, — = unimplemented, read as '0'. Reset values are shown in hexadecimal.

**TABLE 4-3: CHANGE NOTIFICATION REGISTER MAP FOR dsPIC33FJ06GS102A, dsPIC33FJ06GS202A, AND dsPIC33FJ09GS302**

| File Name | SFR Addr | Bit 15  | Bit 14  | Bit 13  | Bit 12  | Bit 11  | Bit 10  | Bit 9  | Bit 8  | Bit 7  | Bit 6  | Bit 5  | Bit 4  | Bit 3  | Bit 2  | Bit 1  | Bit 0  | All Resets |
|-----------|----------|---------|---------|---------|---------|---------|---------|--------|--------|--------|--------|--------|--------|--------|--------|--------|--------|------------|
| CNEN1     | 0060     | CN15IE  | CN14IE  | CN13IE  | CN12IE  | CN11IE  | CN10IE  | CN9IE  | CN8IE  | CN7IE  | CN6IE  | CN5IE  | CN4IE  | CN3IE  | CN2IE  | CN1IE  | CN0IE  | 0000       |
| CNPU1     | 0068     | CN15PUE | CN14PUE | CN13PUE | CN12PUE | CN11PUE | CN10PUE | CN9PUE | CN8PUE | CN7PUE | CN6PUE | CN5PUE | CN4PUE | CN3PUE | CN2PUE | CN1PUE | CN0PUE | 0000       |

**Legend:** x = unknown value on Reset, — = unimplemented, read as '0'. Reset values are shown in hexadecimal.

**TABLE 4-4: INTERRUPT CONTROLLER REGISTER MAP FOR dsPIC33FJ06GS001 DEVICES ONLY**

| File Name | SFR Addr. | Bit 15  | Bit 14       | Bit 13 | Bit 12  | Bit 11   | Bit 10       | Bit 9  | Bit 8 | Bit 7        | Bit 6        | Bit 5 | Bit 4   | Bit 3        | Bit 2        | Bit 1   | Bit 0   | All Resets |
|-----------|-----------|---------|--------------|--------|---------|----------|--------------|--------|-------|--------------|--------------|-------|---------|--------------|--------------|---------|---------|------------|
| INTCON1   | 0080      | NSTDIS  | OVAERR       | OVBERR | COVAERR | COVBERR  | OVATE        | OVBTE  | COVTE | SFTACERR     | DIV0ERR      | —     | MATHERR | ADDRERR      | STKERR       | OSCFAIL | —       | 0000       |
| INTCON2   | 0082      | ALTIVT  | DISI         | —      | —       | —        | —            | —      | —     | —            | —            | —     | —       | —            | INT2EP       | INT1EP  | INT0EP  | 0000       |
| IFS0      | 0084      | —       | —            | ADIF   | —       | —        | —            | —      | —     | T2IF         | —            | —     | —       | T1IF         | —            | —       | INT0IF  | 0000       |
| IFS1      | 0086      | —       | —            | INT2IF | —       | —        | —            | —      | —     | —            | —            | —     | INT1IF  | CNIF         | AC1IF        | MI2C1IF | SI2C1IF | 0000       |
| IFS3      | 008A      | —       | —            | —      | —       | —        | —            | PSEMIF | —     | —            | —            | —     | —       | —            | —            | —       | —       | 0000       |
| IFS4      | 008C      | —       | —            | —      | —       | —        | —            | —      | —     | —            | —            | —     | —       | —            | —            | —       | —       | 0000       |
| IFS5      | 008E      | —       | PWM1IF       | —      | —       | —        | —            | —      | —     | —            | —            | —     | —       | —            | —            | —       | JTAGIF  | 0000       |
| IFS6      | 0090      | ADCP1IF | ADCP0IF      | —      | —       | —        | —            | —      | —     | AC2IF        | —            | —     | —       | —            | —            | PWM4IF  | —       | 0000       |
| IFS7      | 0092      | —       | —            | —      | —       | —        | —            | —      | —     | —            | —            | —     | ADCP6IF | —            | —            | ADCP3IF | —       | 0000       |
| IEC0      | 0094      | —       | —            | ADIE   | —       | —        | —            | —      | —     | T2IE         | —            | —     | —       | T1IE         | —            | —       | INT0IE  | 0000       |
| IEC1      | 0096      | —       | —            | INT2IE | —       | —        | —            | —      | —     | —            | —            | —     | INT1IE  | CNIE         | AC1IE        | MI2C1IE | SI2C1IE | 0000       |
| IEC3      | 009A      | —       | —            | —      | —       | —        | —            | PSEMIE | —     | —            | —            | —     | —       | —            | —            | —       | —       | 0000       |
| IEC4      | 009C      | —       | —            | —      | —       | —        | —            | —      | —     | —            | —            | —     | —       | —            | —            | —       | —       | 0000       |
| IEC5      | 009E      | —       | PWM1IE       | —      | —       | —        | —            | —      | —     | —            | —            | —     | —       | —            | —            | —       | JTAGIE  | 0000       |
| IEC6      | 00A0      | ADCP1IE | ADCP0IE      | —      | —       | —        | —            | —      | —     | AC2IE        | —            | —     | —       | —            | —            | PWM4IE  | —       | 0000       |
| IEC7      | 00A2      | —       | —            | —      | —       | —        | —            | —      | —     | —            | —            | —     | ADCP6IE | —            | —            | ADCP3IE | —       | 0000       |
| IPC0      | 00A4      | —       | T1IP<2:0>    |        |         | —        | —            | —      | —     | —            | —            | —     | —       | —            | INT0IP<2:0>  |         |         | 4004       |
| IPC1      | 00A6      | —       | T2IP<2:0>    |        |         | —        | —            | —      | —     | —            | —            | —     | —       | —            | —            | —       | —       | 4000       |
| IPC3      | 00AA      | —       | —            | —      | —       | —        | —            | —      | —     | ADIP<2:0>    |              |       | —       | —            | —            | —       | 0040    |            |
| IPC4      | 00AC      | —       | CNIP<2:0>    |        |         | —        | AC1IP<2:0>   |        |       | —            | MI2C1IP<2:0> |       |         | —            | SI2C1IP<2:0> |         |         | 4444       |
| IPC5      | 00AE      | —       | —            | —      | —       | —        | —            | —      | —     | —            | —            | —     | —       | INT1IP<2:0>  |              |         | 0004    |            |
| IPC7      | 00B2      | —       | —            | —      | —       | —        | —            | —      | —     | INT2IP<2:0>  |              |       | —       | —            | —            | —       | 0040    |            |
| IPC14     | 00C0      | —       | —            | —      | —       | —        | —            | —      | —     | PSEMIP<2:0>  |              |       | —       | —            | —            | —       | 0040    |            |
| IPC20     | 00CC      | —       | —            | —      | —       | —        | —            | —      | —     | —            | —            | —     | —       | JTAGIP<2:0>  |              |         | 0004    |            |
| IPC23     | 00D2      | —       | —            | —      | —       | —        | PWM1IP<2:0>  |        |       | —            | —            | —     | —       | —            | —            | —       | —       | 0400       |
| IPC24     | 00D4      | —       | —            | —      | —       | —        | —            | —      | —     | PWM4IP<2:0>  |              |       | —       | —            | —            | —       | —       | 0040       |
| IPC25     | 00D6      | —       | AC2IP<2:0>   |        |         | —        | —            | —      | —     | —            | —            | —     | —       | —            | —            | —       | —       | 4400       |
| IPC27     | 00DA      | —       | ADCP1IP<2:0> |        |         | —        | ADCP0IP<2:0> |        |       | —            | —            | —     | —       | —            | —            | —       | —       | 4000       |
| IPC28     | 00DC      | —       | —            | —      | —       | —        | —            | —      | —     | ADCP3IP<2:0> |              |       | —       | —            | —            | —       | —       | 0040       |
| IPC29     | 00DE      | —       | —            | —      | —       | —        | —            | —      | —     | —            | —            | —     | —       | ADCP6IP<2:0> |              |         | 0004    |            |
| INTTREG   | 00E0      | —       | —            | —      | —       | ILR<3:0> |              |        |       | —            | VECNUM<6:0>  |       |         |              |              |         | 0000    |            |

**Legend:** x = unknown value on Reset, — = unimplemented, read as '0'. Reset values are shown in hexadecimal.

**TABLE 4-5: INTERRUPT CONTROLLER REGISTER MAP FOR dsPIC33FJ06GS101A DEVICES ONLY**

| File Name | SFR Addr. | Bit 15  | Bit 14       | Bit 13 | Bit 12  | Bit 11   | Bit 10       | Bit 9  | Bit 8 | Bit 7       | Bit 6        | Bit 5 | Bit 4   | Bit 3       | Bit 2        | Bit 1   | Bit 0   | All Resets |      |
|-----------|-----------|---------|--------------|--------|---------|----------|--------------|--------|-------|-------------|--------------|-------|---------|-------------|--------------|---------|---------|------------|------|
| INTCON1   | 0080      | NSTDIS  | OVAERR       | OVBERR | COVAERR | COVBERR  | OVATE        | OVBTE  | COVTE | SFTACERR    | DIV0ERR      | —     | MATHERR | ADDRERR     | STKERR       | OSCFAIL | —       | 0000       |      |
| INTCON2   | 0082      | ALTVT   | DISI         | —      | —       | —        | —            | —      | —     | —           | —            | —     | —       | —           | INT2EP       | INT1EP  | INT0EP  | 0000       |      |
| IFS0      | 0084      | —       | —            | ADIF   | U1TXIF  | U1RXIF   | SPI1IF       | SP1EIF | —     | T2IF        | —            | —     | —       | T1IF        | OC1IF        | —       | INT0IF  | 0000       |      |
| IFS1      | 0086      | —       | —            | INT2IF | —       | —        | —            | —      | —     | —           | —            | —     | INT1IF  | CNIF        | —            | MI2C1IF | SI2C1IF | 0000       |      |
| IFS3      | 008A      | —       | —            | —      | —       | —        | —            | PSEMIF | —     | —           | —            | —     | —       | —           | —            | —       | —       | 0000       |      |
| IFS4      | 008C      | —       | —            | —      | —       | —        | —            | —      | —     | —           | —            | —     | —       | —           | —            | U1EIF   | —       | 0000       |      |
| IFS5      | 008E      | —       | PWM1IF       | —      | —       | —        | —            | —      | —     | —           | —            | —     | —       | —           | —            | —       | JTAGIF  | 0000       |      |
| IFS6      | 0090      | ADCP1IF | ADCP0IF      | —      | —       | —        | —            | —      | —     | —           | —            | —     | —       | —           | —            | PWM4IF  | —       | 0000       |      |
| IFS7      | 0092      | —       | —            | —      | —       | —        | —            | —      | —     | —           | —            | —     | —       | —           | —            | ADCP3IF | —       | 0000       |      |
| IEC0      | 0094      | —       | —            | ADIE   | U1TXIE  | U1RXIE   | SPI1IE       | SP1EIE | —     | T2IE        | —            | —     | —       | T1IE        | OC1IE        | —       | INT0IE  | 0000       |      |
| IEC1      | 0096      | —       | —            | INT2IE | —       | —        | —            | —      | —     | —           | —            | —     | —       | INT1IE      | CNIE         | —       | MI2C1IE | SI2C1IE    | 0000 |
| IEC3      | 009A      | —       | —            | —      | —       | —        | —            | PSEMIE | —     | —           | —            | —     | —       | —           | —            | —       | —       | 0000       |      |
| IEC4      | 009C      | —       | —            | —      | —       | —        | —            | —      | —     | —           | —            | —     | —       | —           | —            | U1EIE   | —       | 0000       |      |
| IEC5      | 009E      | —       | PWM1IE       | —      | —       | —        | —            | —      | —     | —           | —            | —     | —       | —           | —            | —       | JTAGIE  | 0000       |      |
| IEC6      | 00A0      | ADCP1IE | ADCP0IE      | —      | —       | —        | —            | —      | —     | —           | —            | —     | —       | —           | —            | PWM4IE  | —       | 0000       |      |
| IEC7      | 00A2      | —       | —            | —      | —       | —        | —            | —      | —     | —           | —            | —     | —       | —           | —            | ADCP3IE | —       | 0000       |      |
| IPC0      | 00A4      | —       | T1IP<2:0>    |        |         | —        | OC1IP<2:0>   |        |       | —           | INT0IP<2:0>  |       |         | —           | —            |         |         | 4404       |      |
| IPC1      | 00A6      | —       | T2IP<2:0>    |        |         | —        | —            |        |       | —           | —            |       |         | —           | —            |         |         | 4000       |      |
| IPC2      | 00A8      | —       | U1RXIP<2:0>  |        |         | —        | SP1IP<2:0>   |        |       | —           | SPI1EIP<2:0> |       |         | —           | —            |         |         | 4440       |      |
| IPC3      | 00AA      | —       | —            | —      | —       | —        | —            | —      | —     | —           | ADIP<2:0>    |       |         | —           | U1TXIP<2:0>  |         |         | 0044       |      |
| IPC4      | 00AC      | —       | CNIP<2:0>    |        |         | —        | —            |        |       | —           | MI2C1IP<2:0> |       |         | —           | SI2C1IP<2:0> |         |         | 4044       |      |
| IPC5      | 00AE      | —       | —            | —      | —       | —        | —            | —      | —     | —           | —            | —     | —       | INT1IP<2:0> |              |         | —       | 0004       |      |
| IPC7      | 00B2      | —       | —            | —      | —       | —        | —            | —      | —     | —           | INT2IP<2:0>  |       |         | —           | —            |         |         | 0040       |      |
| IPC14     | 00C0      | —       | —            | —      | —       | —        | —            | —      | —     | —           | PSEMIP<2:0>  |       |         | —           | —            |         |         | 0040       |      |
| IPC16     | 00C4      | —       | —            | —      | —       | —        | —            | —      | —     | —           | U1EIP<2:0>   |       |         | —           | —            |         |         | 0040       |      |
| IPC20     | 00CC      | —       | —            | —      | —       | —        | —            | —      | —     | —           | —            | —     | —       | JTAGIP<2:0> |              |         | —       | 0004       |      |
| IPC23     | 00D2      | —       | —            | —      | —       | —        | PWM1IP<2:0>  |        |       | —           | —            |       |         | —           | —            |         |         | 0400       |      |
| IPC24     | 00D4      | —       | —            | —      | —       | —        | —            |        |       | —           | PWM4IP<2:0>  |       |         | —           | —            |         |         | 0040       |      |
| IPC27     | 00DA      | —       | ADCP1IP<2:0> |        |         | —        | ADCP0IP<2:0> |        |       | —           | —            |       |         | —           | —            |         |         | 4400       |      |
| IPC28     | 00DC      | —       | —            | —      | —       | —        | —            | —      | —     | —           | ADCP3IP<2:0> |       |         | —           | —            |         |         | 0040       |      |
| INTTREG   | 00E0      | —       | —            | —      | —       | ILR<3:0> |              |        | —     | VECNUM<6:0> |              |       |         |             |              | —       | 0000    |            |      |

**Legend:** × = unknown value on Reset, — = unimplemented, read as '0'. Reset values are shown in hexadecimal.

**TABLE 4-6: INTERRUPT CONTROLLER REGISTER MAP FOR dsPIC33FJ06GS102A DEVICES ONLY**

| File Name | SFR Addr. | Bit 15  | Bit 14  | Bit 13       | Bit 12  | Bit 11  | Bit 10       | Bit 9   | Bit 8 | Bit 7    | Bit 6        | Bit 5 | Bit 4   | Bit 3        | Bit 2       | Bit 1   | Bit 0   | All Resets |      |
|-----------|-----------|---------|---------|--------------|---------|---------|--------------|---------|-------|----------|--------------|-------|---------|--------------|-------------|---------|---------|------------|------|
| INTCON1   | 0080      | NSTDIS  | OVAERR  | OVBERR       | COVAERR | COVBERR | OVATE        | OVBTE   | COVTE | SFTACERR | DIV0ERR      | —     | MATHERR | ADDRERR      | STKERR      | OSCFAIL | —       | 0000       |      |
| INTCON2   | 0082      | ALTIVT  | DISI    | —            | —       | —       | —            | —       | —     | —        | —            | —     | —       | —            | INT2EP      | INT1EP  | INT0EP  | 0000       |      |
| IFS0      | 0084      | —       | —       | ADIF         | U1TXIF  | U1RXIF  | SPI1IF       | SPI1EIF | —     | T2IF     | —            | —     | —       | T1IF         | OC1IF       | —       | INT0IF  | 0000       |      |
| IFS1      | 0086      | —       | —       | INT2IF       | —       | —       | —            | —       | —     | —        | —            | —     | INT1IF  | CNIF         | —           | MI2C1IF | SI2C1IF | 0000       |      |
| IFS3      | 008A      | —       | —       | —            | —       | —       | —            | PSEMIF  | —     | —        | —            | —     | —       | —            | —           | —       | —       | 0000       |      |
| IFS4      | 008C      | —       | —       | —            | —       | —       | —            | —       | —     | —        | —            | —     | —       | —            | —           | U1EIF   | —       | 0000       |      |
| IFS5      | 008E      | PWM2IF  | PWM1IF  | —            | —       | —       | —            | —       | —     | —        | —            | —     | —       | —            | —           | —       | JTAGIF  | 0000       |      |
| IFS6      | 0090      | ADCP1IF | ADCP0IF | —            | —       | —       | —            | —       | —     | —        | —            | —     | —       | —            | —           | —       | —       | 0000       |      |
| IFS7      | 0092      | —       | —       | —            | —       | —       | —            | —       | —     | —        | —            | —     | —       | —            | —           | —       | ADCP2IF | 0000       |      |
| IEC0      | 0094      | —       | —       | ADIE         | U1TXIE  | U1RXIE  | SPI1IE       | SPI1EIE | —     | T2IE     | —            | —     | —       | T1IE         | OC1IE       | —       | INT0IE  | 0000       |      |
| IEC1      | 0096      | —       | —       | INT2IE       | —       | —       | —            | —       | —     | —        | —            | —     | —       | INT1IE       | CNIE        | —       | MI2C1IE | SI2C1IE    | 0000 |
| IEC3      | 009A      | —       | —       | —            | —       | —       | —            | PSEMIE  | —     | —        | —            | —     | —       | —            | —           | —       | —       | 0000       |      |
| IEC4      | 009C      | —       | —       | —            | —       | —       | —            | —       | —     | —        | —            | —     | —       | —            | —           | U1EIE   | —       | 0000       |      |
| IEC5      | 009E      | PWM2IE  | PWM1IE  | —            | —       | —       | —            | —       | —     | —        | —            | —     | —       | —            | —           | —       | JTAGIE  | 0000       |      |
| IEC6      | 00A0      | ADCP1IE | ADCP0IE | —            | —       | —       | —            | —       | —     | —        | —            | —     | —       | —            | —           | —       | —       | 0000       |      |
| IEC7      | 00A2      | —       | —       | —            | —       | —       | —            | —       | —     | —        | —            | —     | —       | —            | —           | —       | ADCP2IE | 0000       |      |
| IPC0      | 00A4      | —       | —       | T1IP<2:0>    |         | —       | OC1IP<2:0>   |         | —     | —        | —            | —     | —       | —            | INT0IP<2:0> |         | —       | 4404       |      |
| IPC1      | 00A6      | —       | —       | T2IP<2:0>    |         | —       | —            | —       | —     | —        | —            | —     | —       | —            | —           | —       | —       | 4000       |      |
| IPC2      | 00A8      | —       | —       | U1RXIP<2:0>  |         | —       | SPI1IP<2:0>  |         | —     | —        | SPI1EIP<2:0> |       | —       | —            | —           | —       | —       | 4440       |      |
| IPC3      | 00AA      | —       | —       | —            | —       | —       | —            | —       | —     | —        | ADIP<2:0>    |       | —       | U1TXIP<2:0>  |             | —       | 0044    |            |      |
| IPC4      | 00AC      | —       | —       | CNIP<2:0>    |         | —       | —            | —       | —     | —        | MI2C1IP<2:0> |       | —       | SI2C1IP<2:0> |             | —       | 4044    |            |      |
| IPC5      | 00AE      | —       | —       | —            | —       | —       | —            | —       | —     | —        | —            | —     | —       | INT1IP<2:0>  |             | —       | 0004    |            |      |
| IPC7      | 00B2      | —       | —       | —            | —       | —       | —            | —       | —     | —        | INT2IP<2:0>  |       | —       | —            | —           | —       | 0040    |            |      |
| IPC14     | 00C0      | —       | —       | —            | —       | —       | —            | —       | —     | —        | PSEMIP<2:0>  |       | —       | —            | —           | —       | 0040    |            |      |
| IPC16     | 00C4      | —       | —       | —            | —       | —       | —            | —       | —     | —        | U1EIP<2:0>   |       | —       | —            | —           | —       | 0040    |            |      |
| IPC20     | 00CC      | —       | —       | —            | —       | —       | —            | —       | —     | —        | —            | —     | —       | JTAGIP<2:0>  |             | —       | 0004    |            |      |
| IPC23     | 00D2      | —       | —       | PWM2IP<2:0>  |         | —       | PWM1IP<2:0>  |         | —     | —        | —            | —     | —       | —            | —           | —       | —       | 4400       |      |
| IPC27     | 00DA      | —       | —       | ADCP1IP<2:0> |         | —       | ADCP0IP<2:0> |         | —     | —        | —            | —     | —       | —            | —           | —       | —       | 4400       |      |
| IPC28     | 00DC      | —       | —       | —            | —       | —       | —            | —       | —     | —        | —            | —     | —       | ADCP2IP<2:0> |             | —       | 0004    |            |      |
| INTTREG   | 00E0      | —       | —       | —            | —       | —       | ILR<3:0>     |         | —     | —        | VECNUM<6:0>  |       |         |              |             | —       | 0000    |            |      |

**Legend:** × = unknown value on Reset, — = unimplemented, read as '0'. Reset values are shown in hexadecimal.



**TABLE 4-7: INTERRUPT CONTROLLER REGISTER MAP FOR dsPIC33FJ06GS202A DEVICES ONLY**

| File Name | SFR Addr. | Bit 15  | Bit 14       | Bit 13 | Bit 12  | Bit 11   | Bit 10       | Bit 9  | Bit 8 | Bit 7       | Bit 6        | Bit 5 | Bit 4       | Bit 3   | Bit 2        | Bit 1   | Bit 0   | All Resets |      |
|-----------|-----------|---------|--------------|--------|---------|----------|--------------|--------|-------|-------------|--------------|-------|-------------|---------|--------------|---------|---------|------------|------|
| INTCON1   | 0080      | NSTDIS  | OVAERR       | OVBERR | COVAERR | COVBERR  | OVATE        | OVBTE  | COVTE | SFTACERR    | DIV0ERR      | —     | MATHERR     | ADDRERR | STKERR       | OSCFAIL | —       | 0000       |      |
| INTCON2   | 0082      | ALTVT   | DISI         | —      | —       | —        | —            | —      | —     | —           | —            | —     | —           | —       | INT2EP       | INT1EP  | INT0EP  | 0000       |      |
| IFS0      | 0084      | —       | —            | ADIF   | U1TXIF  | U1RXIF   | SPI1IF       | SP1EIF | —     | T2IF        | —            | —     | —           | T1IF    | OC1IF        | IC1IF   | INT0IF  | 0000       |      |
| IFS1      | 0086      | —       | —            | INT2IF | —       | —        | —            | —      | —     | —           | —            | —     | INT1IF      | CNIF    | AC1IF        | MI2C1IF | SI2C1IF | 0000       |      |
| IFS3      | 008A      | —       | —            | —      | —       | —        | —            | PSEMIF | —     | —           | —            | —     | —           | —       | —            | —       | —       | 0000       |      |
| IFS4      | 008C      | —       | —            | —      | —       | —        | —            | —      | —     | —           | —            | —     | —           | —       | —            | U1EIF   | —       | 0000       |      |
| IFS5      | 008E      | PWM2IF  | PWM1IF       | —      | —       | —        | —            | —      | —     | —           | —            | —     | —           | —       | —            | —       | JTAGIF  | 0000       |      |
| IFS6      | 0090      | ADCP1IF | ADCP0IF      | —      | —       | —        | —            | —      | AC2IF | —           | —            | —     | —           | —       | —            | —       | —       | 0000       |      |
| IFS7      | 0092      | —       | —            | —      | —       | —        | —            | —      | —     | —           | —            | —     | ADCP6IF     | —       | —            | —       | ADCP2IF | 0000       |      |
| IEC0      | 0094      | —       | —            | ADIE   | U1TXIE  | U1RXIE   | SPI1IE       | SP1EIE | —     | T2IE        | —            | —     | —           | T1IE    | OC1IE        | IC1IE   | INT0IE  | 0000       |      |
| IEC1      | 0096      | —       | —            | INT2IE | —       | —        | —            | —      | —     | —           | —            | —     | INT1IE      | CNIE    | AC1IE        | MI2C1IE | SI2C1IE | 0000       |      |
| IEC3      | 009A      | —       | —            | —      | —       | —        | —            | PSEMIE | —     | —           | —            | —     | —           | —       | —            | —       | —       | 0000       |      |
| IEC4      | 009C      | —       | —            | —      | —       | —        | —            | —      | —     | —           | —            | —     | —           | —       | —            | U1EIE   | —       | 0000       |      |
| IEC5      | 009E      | PWM2IE  | PWM1IE       | —      | —       | —        | —            | —      | —     | —           | —            | —     | —           | —       | —            | —       | JTAGIE  | 0000       |      |
| IEC6      | 00A0      | ADCP1IE | ADCP0IE      | —      | —       | —        | —            | —      | AC2IE | —           | —            | —     | —           | —       | —            | —       | —       | 0000       |      |
| IEC7      | 00A2      | —       | —            | —      | —       | —        | —            | —      | —     | —           | —            | —     | ADCP6IE     | —       | —            | —       | ADCP2IE | 0000       |      |
| IPC0      | 00A4      | —       | T1IP<2:0>    |        |         | —        | OC1IP<2:0>   |        |       | —           | IC1IP<2:0>   |       |             | —       | INT0IP<2:0>  |         |         | 4444       |      |
| IPC1      | 00A6      | —       | T2IP<2:0>    |        |         | —        | —            | —      | —     | —           | —            | —     | —           | —       | —            | —       | —       | —          | 4000 |
| IPC2      | 00A8      | —       | U1RXIP<2:0>  |        |         | —        | SPI1IP<2:0>  |        |       | —           | SPI1EIP<2:0> |       |             | —       | —            | —       | —       | 4440       |      |
| IPC3      | 00AA      | —       | —            | —      | —       | —        | —            | —      | —     | —           | —            | —     | ADIP<2:0>   | —       | U1TXIP<2:0>  |         |         | 0044       |      |
| IPC4      | 00AC      | —       | CNIP<2:0>    |        |         | —        | AC1IP<2:0>   |        |       | —           | MI2C1IP<2:0> |       |             | —       | SI2C1IP<2:0> |         |         | 4444       |      |
| IPC5      | 00AE      | —       | —            | —      | —       | —        | —            | —      | —     | —           | —            | —     | —           | —       | INT1IP<2:0>  |         |         | 0004       |      |
| IPC7      | 00B2      | —       | —            | —      | —       | —        | —            | —      | —     | —           | —            | —     | INT2IP<2:0> | —       | —            | —       | —       | 0040       |      |
| IPC14     | 00C0      | —       | —            | —      | —       | —        | —            | —      | —     | —           | —            | —     | PSEMIP<2:0> | —       | —            | —       | —       | 0040       |      |
| IPC16     | 00C4      | —       | —            | —      | —       | —        | —            | —      | —     | —           | —            | —     | U1EIP<2:0>  | —       | —            | —       | —       | 0040       |      |
| IPC20     | 00CC      | —       | —            | —      | —       | —        | —            | —      | —     | —           | —            | —     | —           | —       | JTAGIP<2:0>  |         |         | 0004       |      |
| IPC23     | 00D2      | —       | PWM2IP<2:0>  |        |         | —        | PWM1IP<2:0>  |        |       | —           | —            | —     | —           | —       | —            | —       | —       | 4400       |      |
| IPC25     | 00D6      | —       | AC2IP<2:0>   |        |         | —        | —            | —      | —     | —           | —            | —     | —           | —       | —            | —       | —       | 4000       |      |
| IPC27     | 00DA      | —       | ADCP1IP<2:0> |        |         | —        | ADCP0IP<2:0> |        |       | —           | —            | —     | —           | —       | —            | —       | —       | 4400       |      |
| IPC28     | 00DC      | —       | —            | —      | —       | —        | —            | —      | —     | —           | —            | —     | —           | —       | ADCP2IP<2:0> |         |         | 0004       |      |
| IPC29     | 00DE      | —       | —            | —      | —       | —        | —            | —      | —     | —           | —            | —     | —           | —       | ADCP6IP<2:0> |         |         | 0004       |      |
| INTTREG   | 00E0      | —       | —            | —      | —       | ILR<3:0> |              |        | —     | VECNUM<6:0> |              |       |             |         |              | 0000    |         |            |      |

**Legend:** × = unknown value on Reset, — = unimplemented, read as '0'. Reset values are shown in hexadecimal.

**TABLE 4-8: INTERRUPT CONTROLLER REGISTER MAP FOR dsPIC33FJ09GS302 DEVICES ONLY**

| File Name | SFR Addr. | Bit 15  | Bit 14       | Bit 13 | Bit 12  | Bit 11   | Bit 10       | Bit 9   | Bit 8 | Bit 7       | Bit 6        | Bit 5 | Bit 4   | Bit 3   | Bit 2        | Bit 1   | Bit 0   | All Resets |      |
|-----------|-----------|---------|--------------|--------|---------|----------|--------------|---------|-------|-------------|--------------|-------|---------|---------|--------------|---------|---------|------------|------|
| INTCON1   | 0080      | NSTDIS  | OVAERR       | OVBERR | COVAERR | COVBERR  | OVATE        | OVBTE   | COVTE | SFTACERR    | DIV0ERR      | —     | MATHERR | ADDRERR | STKERR       | OSCFAIL | —       | 0000       |      |
| INTCON2   | 0082      | ALTIVT  | DISI         | —      | —       | —        | —            | —       | —     | —           | —            | —     | —       | —       | INT2EP       | INT1EP  | INT0EP  | 0000       |      |
| IFS0      | 0084      | —       | —            | ADIF   | U1TXIF  | U1RXIF   | SPI1IF       | SPI1EIF | —     | T2IF        | —            | —     | —       | T1IF    | OC1IF        | IC1IF   | INT0IF  | 0000       |      |
| IFS1      | 0086      | —       | —            | INT2IF | —       | —        | —            | —       | —     | —           | —            | —     | —       | INT1IF  | CNIF         | AC1IF   | MI2C1IF | SI2C1IF    | 0000 |
| IFS3      | 008A      | —       | —            | —      | —       | —        | —            | PSEMIF  | —     | —           | —            | —     | —       | —       | —            | —       | —       | 0000       |      |
| IFS4      | 008C      | —       | —            | —      | —       | —        | —            | —       | —     | —           | —            | —     | —       | —       | —            | U1EIF   | —       | 0000       |      |
| IFS5      | 008E      | PWM2IF  | PWM1IF       | —      | —       | —        | —            | —       | —     | —           | —            | —     | —       | —       | —            | —       | JTAGIF  | 0000       |      |
| IFS6      | 0090      | ADCP1IF | ADCP0IF      | —      | —       | —        | —            | —       | —     | AC2IF       | —            | —     | —       | —       | —            | PWM4IF  | —       | 0000       |      |
| IFS7      | 0092      | —       | —            | —      | —       | —        | —            | —       | —     | —           | —            | —     | ADCP6IF | —       | —            | ADCP3IF | ADCP2IF | 0000       |      |
| IEC0      | 0094      | —       | —            | ADIE   | U1TXIE  | U1RXIE   | SPI1IE       | SPI1EIE | —     | T2IE        | —            | —     | —       | T1IE    | OC1IE        | IC1IE   | INT0IE  | 0000       |      |
| IEC1      | 0096      | —       | —            | INT2IE | —       | —        | —            | —       | —     | —           | —            | —     | —       | INT1IE  | CNIE         | AC1IE   | MI2C1IE | SI2C1IE    | 0000 |
| IEC3      | 009A      | —       | —            | —      | —       | —        | —            | PSEMIE  | —     | —           | —            | —     | —       | —       | —            | —       | —       | 0000       |      |
| IEC4      | 009C      | —       | —            | —      | —       | —        | —            | —       | —     | —           | —            | —     | —       | —       | —            | U1EIE   | —       | 0000       |      |
| IEC5      | 009E      | PWM2IE  | PWM1IE       | —      | —       | —        | —            | —       | —     | —           | —            | —     | —       | —       | —            | —       | JTAGIE  | 0000       |      |
| IEC6      | 00A0      | ADCP1IE | ADCP0IE      | —      | —       | —        | —            | —       | —     | AC2IE       | —            | —     | —       | —       | —            | PWM4IE  | —       | 0000       |      |
| IEC7      | 00A2      | —       | —            | —      | —       | —        | —            | —       | —     | —           | —            | —     | ADCP6IE | —       | —            | ADCP3IE | ADCP2IE | 0000       |      |
| IPC0      | 00A4      | —       | T1IP<2:0>    |        |         | —        | OC1IP<2:0>   |         |       | —           | IC1IP<2:0>   |       |         | —       | INT0IP<2:0>  |         |         | 4444       |      |
| IPC1      | 00A6      | —       | T2IP<2:0>    |        |         | —        | —            | —       | —     | —           | —            | —     | —       | —       | —            | —       | —       | —          | 4000 |
| IPC2      | 00A8      | —       | U1RXIP<2:0>  |        |         | —        | SPI1IP<2:0>  |         |       | —           | SPI1EIP<2:0> |       |         | —       | —            | —       | —       | —          | 4440 |
| IPC3      | 00AA      | —       | —            | —      | —       | —        | —            | —       | —     | —           | ADIP<2:0>    |       |         | —       | U1TXIP<2:0>  |         |         | 0044       |      |
| IPC4      | 00AC      | —       | CNIP<2:0>    |        |         | —        | AC1IP<2:0>   |         |       | —           | MI2C1IP<2:0> |       |         | —       | SI2C1IP<2:0> |         |         | 4444       |      |
| IPC5      | 00AE      | —       | —            | —      | —       | —        | —            | —       | —     | —           | —            | —     | —       | —       | INT1IP<2:0>  |         |         | 0004       |      |
| IPC7      | 00B2      | —       | —            | —      | —       | —        | —            | —       | —     | —           | INT2IP<2:0>  |       |         | —       | —            | —       | —       | 0040       |      |
| IPC14     | 00C0      | —       | —            | —      | —       | —        | —            | —       | —     | —           | PSEMIP<2:0>  |       |         | —       | —            | —       | —       | 0040       |      |
| IPC16     | 00C4      | —       | —            | —      | —       | —        | —            | —       | —     | —           | U1EIP<2:0>   |       |         | —       | —            | —       | —       | 0040       |      |
| IPC20     | 00CC      | —       | —            | —      | —       | —        | —            | —       | —     | —           | —            | —     | —       | —       | JTAGIP<2:0>  |         |         | 0004       |      |
| IPC23     | 00D2      | —       | PWM2IP<2:0>  |        |         | —        | PWM1IP<2:0>  |         |       | —           | —            | —     | —       | —       | —            | —       | —       | —          | 4400 |
| IPC24     | 00D4      | —       | —            | —      | —       | —        | —            | —       | —     | —           | PWM4IP<2:0>  |       |         | —       | —            | —       | —       | 0040       |      |
| IPC25     | 00D6      | —       | AC2IP<2:0>   |        |         | —        | —            | —       | —     | —           | —            | —     | —       | —       | —            | —       | —       | —          | 4000 |
| IPC27     | 00DA      | —       | ADCP1IP<2:0> |        |         | —        | ADCP0IP<2:0> |         |       | —           | —            | —     | —       | —       | —            | —       | —       | —          | 4400 |
| IPC28     | 00DC      | —       | —            | —      | —       | —        | —            | —       | —     | —           | ADCP3IP<2:0> |       |         | —       | ADCP2IP<2:0> |         |         | 0044       |      |
| IPC29     | 00DE      | —       | —            | —      | —       | —        | —            | —       | —     | —           | —            | —     | —       | —       | ADCP6IP<2:0> |         |         | 0004       |      |
| INTTREG   | 00E0      | —       | —            | —      | —       | ILR<3:0> |              |         | —     | VECNUM<6:0> |              |       |         |         |              | 0000    |         |            |      |

**Legend:** × = unknown value on Reset, — = unimplemented, read as '0'. Reset values are shown in hexadecimal.

**TABLE 4-9: TIMER REGISTER MAP**

| SFR Name | SFR Addr | Bit 15            | Bit 14 | Bit 13 | Bit 12 | Bit 11 | Bit 10 | Bit 9 | Bit 8 | Bit 7 | Bit 6 | Bit 5      | Bit 4 | Bit 3 | Bit 2 | Bit 1 | Bit 0 | All Resets |
|----------|----------|-------------------|--------|--------|--------|--------|--------|-------|-------|-------|-------|------------|-------|-------|-------|-------|-------|------------|
| TMR1     | 0100     | Timer1 Register   |        |        |        |        |        |       |       |       |       |            |       |       |       |       |       | 0000       |
| PR1      | 0102     | Period Register 1 |        |        |        |        |        |       |       |       |       |            |       |       |       |       |       | FFFF       |
| T1CON    | 0104     | TON               | —      | TSIDL  | —      | —      | —      | —     | —     | —     | TGATE | TCKPS<1:0> | —     | TSYNC | TCS   | —     | 0000  |            |
| TMR2     | 0106     | Timer2 Register   |        |        |        |        |        |       |       |       |       |            |       |       |       |       |       | 0000       |
| PR2      | 010C     | Period Register 2 |        |        |        |        |        |       |       |       |       |            |       |       |       |       |       | FFFF       |
| T2CON    | 0110     | TON               | —      | TSIDL  | —      | —      | —      | —     | —     | —     | TGATE | TCKPS<1:0> | —     | —     | TCS   | —     | 0000  |            |

**Legend:** x = unknown value on Reset, — = unimplemented, read as '0'. Reset values are shown in hexadecimal.

**TABLE 4-10: INPUT CAPTURE REGISTER MAP FOR dsPIC33FJ06GS202A AND dsPIC33FJ09GS302**

| SFR Name | SFR Addr | Bit 15                   | Bit 14 | Bit 13 | Bit 12 | Bit 11 | Bit 10 | Bit 9 | Bit 8 | Bit 7 | Bit 6    | Bit 5 | Bit 4 | Bit 3    | Bit 2 | Bit 1 | Bit 0 | All Resets |
|----------|----------|--------------------------|--------|--------|--------|--------|--------|-------|-------|-------|----------|-------|-------|----------|-------|-------|-------|------------|
| IC1BUF   | 0140     | Input Capture 1 Register |        |        |        |        |        |       |       |       |          |       |       |          |       |       |       | xxxx       |
| IC1CON   | 0142     | —                        | —      | ICSIDL | —      | —      | —      | —     | —     | —     | ICI<1:0> | ICOV  | ICBNE | ICM<2:0> |       | 0000  |       |            |

**Legend:** x = unknown value on Reset, — = unimplemented, read as '0'. Reset values are shown in hexadecimal.

**TABLE 4-11: OUTPUT COMPARE REGISTER MAP FOR dsPIC33FJ06GS101A, dsPIC33FJ06GS102A, dsPIC33FJ06GS202A AND dsPIC33FJ09GS302**

| SFR Name | SFR Addr | Bit 15                              | Bit 14 | Bit 13 | Bit 12 | Bit 11 | Bit 10 | Bit 9 | Bit 8 | Bit 7 | Bit 6 | Bit 5 | Bit 4 | Bit 3 | Bit 2    | Bit 1 | Bit 0 | All Resets |
|----------|----------|-------------------------------------|--------|--------|--------|--------|--------|-------|-------|-------|-------|-------|-------|-------|----------|-------|-------|------------|
| OC1RS    | 0180     | Output Compare 1 Secondary Register |        |        |        |        |        |       |       |       |       |       |       |       |          |       |       | xxxx       |
| OC1R     | 0182     | Output Compare 1 Register           |        |        |        |        |        |       |       |       |       |       |       |       |          |       |       | xxxx       |
| OC1CON   | 0184     | —                                   | —      | OCSIDL | —      | —      | —      | —     | —     | —     | —     | —     | OCFLT | —     | OCM<2:0> |       | 0000  |            |

**Legend:** x = unknown value on Reset, — = unimplemented, read as '0'. Reset values are shown in hexadecimal.

**TABLE 4-12: HIGH-SPEED PWM REGISTER MAP**

| File Name | Addr Offset | Bit 15        | Bit 14 | Bit 13 | Bit 12 | Bit 11 | Bit 10 | Bit 9   | Bit 8        | Bit 7  | Bit 6 | Bit 5        | Bit 4       | Bit 3 | Bit 2        | Bit 1 | Bit 0 | All Resets |
|-----------|-------------|---------------|--------|--------|--------|--------|--------|---------|--------------|--------|-------|--------------|-------------|-------|--------------|-------|-------|------------|
| PTCON     | 0400        | PTEN          | —      | PTSIDL | SESTAT | SEIEN  | EIPU   | SYNCPOL | SYNCOEN      | SYNCEN | —     | SYNCSRC<1:0> | SEVTPS<3:0> |       |              | 0000  |       |            |
| PTCON2    | 0402        | —             | —      | —      | —      | —      | —      | —       | —            | —      | —     | —            | —           | —     | PCLKDIV<2:0> |       | 0000  |            |
| PTPER     | 0404        | PTPER<15:0>   |        |        |        |        |        |         |              |        |       |              |             |       |              |       | FFF8  |            |
| SEVTCMP   | 0406        | SEVTCMP<15:3> |        |        |        |        |        |         |              |        |       |              |             |       | —            | —     | —     | 0000       |
| MDC       | 040A        | MDC<15:0>     |        |        |        |        |        |         |              |        |       |              |             |       |              |       | 0000  |            |
| CHOP      | 041A        | CHPCLKEN      | —      | —      | —      | —      | —      | —       | CHOPCLK<6:0> |        |       |              | —           | —     | —            | 0000  |       |            |

**Legend:** x = unknown value on Reset, — = unimplemented, read as '0'. Reset values are shown in hexadecimal.

**TABLE 4-13: HIGH-SPEED PWM GENERATOR 1 REGISTER MAP**

| File Name | Addr Offset | Bit 15        | Bit 14     | Bit 13        | Bit 12 | Bit 11    | Bit 10  | Bit 9    | Bit 8       | Bit 7       | Bit 6       | Bit 5        | Bit 4      | Bit 3       | Bit 2   | Bit 1   | Bit 0 | All Resets |
|-----------|-------------|---------------|------------|---------------|--------|-----------|---------|----------|-------------|-------------|-------------|--------------|------------|-------------|---------|---------|-------|------------|
| PWMCON1   | 0420        | FLTSTAT       | CLSTAT     | TRGSTAT       | FLTIEN | CLIEEN    | TRGIEEN | ITB      | MDCS        | DTC<1:0>    | —           | —            | —          | CAM         | XPRES   | IUE     | 0000  |            |
| IOCON1    | 0422        | PENH          | PENL       | POLH          | POLL   | PMOD<1:0> |         | OVRENH   | OVRENL      | OVRDAT<1:0> | FLTDAT<1:0> |              | CLDAT<1:0> | SWAP        | OSYNC   | 0000    |       |            |
| FCLCON1   | 0424        | IFLTMOD       | CLSRC<4:0> |               |        |           | CLPOL   | CLMOD    | FLTSRC<4:0> |             |             |              | FLTPOL     | FLTMOD<1:0> |         | 0000    |       |            |
| PDC1      | 0426        | PDC1<15:0>    |            |               |        |           |         |          |             |             |             |              |            |             |         |         | 0000  |            |
| PHASE1    | 0428        | PHASE1<15:0>  |            |               |        |           |         |          |             |             |             |              |            |             |         |         | 0000  |            |
| DTR1      | 042A        | —             | —          | DTR1<13:0>    |        |           |         |          |             |             |             |              |            |             |         | 0000    |       |            |
| ALTDTR1   | 042C        | —             | —          | ALTDTR1<13:0> |        |           |         |          |             |             |             |              |            |             |         | 0000    |       |            |
| SDC1      | 042E        | SDC1<15:0>    |            |               |        |           |         |          |             |             |             |              |            |             |         |         | 0000  |            |
| SPHASE1   | 0430        | SPHASE1<15:0> |            |               |        |           |         |          |             |             |             |              |            |             |         |         | 0000  |            |
| TRIG1     | 0432        | TRGCMP<15:3>  |            |               |        |           |         |          |             |             |             |              |            | —           | —       | —       | 0000  |            |
| TRGCON1   | 0434        | TRGDIV<3:0>   |            |               |        | —         | —       | —        | —           | DTM         | —           | TRGSTRT<5:0> |            |             |         |         | 0000  |            |
| STRIG1    | 0436        | STRGCMP<15:3> |            |               |        |           |         |          |             |             |             |              |            | —           | —       | —       | 0000  |            |
| PWMCAP1   | 0438        | PWMCAP1<15:3> |            |               |        |           |         |          |             |             |             |              |            |             |         |         | 0000  |            |
| LEBCON1   | 043A        | PHR           | PHF        | PLR           | PLF    | FLTLEBEN  | CLLEBEN | LEB<6:0> |             |             |             | —            | —          | —           | 0000    |         |       |            |
| AUXCON1   | 043E        | HRPDIS        | HRDDIS     | —             | —      | —         | —       | —        | —           | —           | —           | CHOPSEL<3:0> |            |             | CHOPHEN | CHOPLEN | 0000  |            |

**Legend:** x = unknown value on Reset, — = unimplemented, read as '0'. Reset values are shown in hexadecimal.

**TABLE 4-14: HIGH-SPEED PWM GENERATOR 2 REGISTER MAP FOR dsPIC33FJ06GS102A, dsPIC33FJ06GS202A AND dsPIC33FJ09GS302**

| File Name | Addr Offset | Bit 15        | Bit 14     | Bit 13        | Bit 12  | Bit 11    | Bit 10  | Bit 9    | Bit 8       | Bit 7        | Bit 6       | Bit 5        | Bit 4  | Bit 3       | Bit 2 | Bit 1   | Bit 0   | All Resets |      |
|-----------|-------------|---------------|------------|---------------|---------|-----------|---------|----------|-------------|--------------|-------------|--------------|--------|-------------|-------|---------|---------|------------|------|
| PWMCON2   | 0440        | FLTSTAT       | CLSTAT     | TRGSTAT       | FLTIEEN | CLIEEN    | TRGIEEN | ITB      | MDCS        | DTC<1:0>     |             | —            | —      | —           | CAM   | XPRES   | IUE     | 0000       |      |
| IOCON2    | 0442        | PENH          | PENL       | POLH          | POLL    | PMOD<1:0> |         | OVRENH   | OVRENL      | OVRRDAT<1:0> | FLTDAT<1:0> | CLDAT<1:0>   | SWAP   | OSYNC       |       |         |         | 0000       |      |
| FCLCON2   | 0444        | IFLTMOD       | CLSRC<4:0> |               |         |           | CLPOL   | CLMOD    | FLTSRC<4:0> |              |             |              | FLTPOL | FLTMOD<1:0> |       |         |         | 0000       |      |
| PDC2      | 0446        | PDC2<15:0>    |            |               |         |           |         |          |             |              |             |              |        |             |       |         |         |            | 0000 |
| PHASE2    | 0448        | PHASE2<15:0>  |            |               |         |           |         |          |             |              |             |              |        |             |       |         |         |            | 0000 |
| DTR2      | 044A        | —             | —          | DTR2<13:0>    |         |           |         |          |             |              |             |              |        |             |       |         |         | 0000       |      |
| ALTDTR2   | 044C        | —             | —          | ALTDTR2<13:0> |         |           |         |          |             |              |             |              |        |             |       |         |         | 0000       |      |
| SDC2      | 044E        | SDC2<15:0>    |            |               |         |           |         |          |             |              |             |              |        |             |       |         |         |            | 0000 |
| SPHASE2   | 0450        | SPHASE2<15:0> |            |               |         |           |         |          |             |              |             |              |        |             |       |         |         |            | 0000 |
| TRIG2     | 0452        | TRGCMP<15:3>  |            |               |         |           |         |          |             |              |             |              |        |             | —     | —       | —       | 0000       |      |
| TRGCON2   | 0454        | TRGDIV<3:0>   |            |               |         | —         | —       | —        | —           | DTM          | —           | TRGSTRT<5:0> |        |             |       |         |         | 0000       |      |
| STRIG2    | 0456        | STRGCMP<15:3> |            |               |         |           |         |          |             |              |             |              |        |             | —     | —       | —       | 0000       |      |
| PWMCAP2   | 0458        | PWMCAP2<15:3> |            |               |         |           |         |          |             |              |             |              |        |             |       |         |         |            | 0000 |
| LEBCON2   | 045A        | PHR           | PHF        | PLR           | PLF     | FLTLEBEN  | CLLEBEN | LEB<6:0> |             |              |             |              |        | —           | —     | —       | 0000    |            |      |
| AUXCON2   | 045E        | HRPDIS        | HRDDIS     | —             | —       | —         | —       | —        | —           | —            | —           | CHOPSEL<3:0> |        |             |       | CHOPHEN | CHOPLEN | 0000       |      |

**Legend:** x = unknown value on Reset, — = unimplemented, read as '0'. Reset values are shown in hexadecimal.

**TABLE 4-15: HIGH-SPEED PWM GENERATOR 4 REGISTER MAP FOR dsPIC33FJ06GS001, dsPIC33FJ06GS101A AND dsPIC33FJ09GS302**

| File Name | Addr Offset | Bit 15        | Bit 14     | Bit 13        | Bit 12 | Bit 11    | Bit 10  | Bit 9    | Bit 8       | Bit 7    | Bit 6        | Bit 5        | Bit 4       | Bit 3       | Bit 2      | Bit 1   | Bit 0  | All Resets |      |
|-----------|-------------|---------------|------------|---------------|--------|-----------|---------|----------|-------------|----------|--------------|--------------|-------------|-------------|------------|---------|--------|------------|------|
| PWMCON4   | 0480        | FLTSTAT       | CLSTAT     | TRGSTAT       | FLTIEN | CLIEEN    | TRGIEEN | ITB      | MDCS        | DTC<1:0> |              |              | —           | —           | —          | CAM     | XPRES  | IUE        | 0000 |
| IOCON4    | 0482        | PENH          | PENL       | POLH          | POLL   | PMOD<1:0> |         |          | OVRENH      | OVRENL   | OVRDAT<1:0>  |              | FLTDAT<1:0> |             | CLDAT<1:0> |         | SWAP   | OSYNC      | 0000 |
| FCLCON4   | 0484        | IFLTMOD       | CLSRC<4:0> |               |        |           | CLPOL   | CLMOD    | FLTSRC<4:0> |          |              |              | FLTPOL      | FLTMOD<1:0> |            | 0000    |        |            |      |
| PDC4      | 0486        | PDC4<15:0>    |            |               |        |           |         |          |             |          |              |              |             |             |            |         |        |            | 0000 |
| PHASE4    | 0488        | PHASE4<15:0>  |            |               |        |           |         |          |             |          |              |              |             |             |            |         |        |            | 0000 |
| DTR4      | 048A        | —             | —          | DTR4<13:0>    |        |           |         |          |             |          |              |              |             |             |            |         |        | 0000       |      |
| ALTDTR4   | 048C        | —             | —          | ALTDTR4<13:0> |        |           |         |          |             |          |              |              |             |             |            |         |        | 0000       |      |
| SDC4      | 048E        | SDC4<15:0>    |            |               |        |           |         |          |             |          |              |              |             |             |            |         |        |            | 0000 |
| SPHASE4   | 0490        | SPHASE4<15:0> |            |               |        |           |         |          |             |          |              |              |             |             |            |         |        |            | 0000 |
| TRIG4     | 0492        | TRGCMP<15:3>  |            |               |        |           |         |          |             |          |              |              |             | —           | —          | —       | 0000   |            |      |
| TRGCON4   | 0494        | TRGDIV<3:0>   |            |               |        | —         | —       | —        | DTM         | —        | TRGSTRT<5:0> |              |             |             |            |         |        | 0000       |      |
| STRIG4    | 0496        | STRGCMP<15:3> |            |               |        |           |         |          |             |          |              |              |             |             |            | —       | —      | —          | 0000 |
| PWMCAP4   | 0498        | PWMCAP4<15:3> |            |               |        |           |         |          |             |          |              |              |             |             |            |         |        |            | 0000 |
| LEBCON4   | 049A        | PHR           | PHF        | PLR           | PLF    | FLTLEBEN  | CLLEBEN | LEB<6:0> |             |          |              |              |             |             |            | —       | —      | —          | 0000 |
| AUXCON4   | 049E        | HRPDIS        | HRDDIS     | —             | —      | —         | —       | —        | —           | —        | —            | CHOPSEL<3:0> |             |             |            | CHOPHEN | CHOPLN | 0000       |      |

**Legend:** x = unknown value on Reset, — = unimplemented, read as '0'. Reset values are shown in hexadecimal.

**TABLE 4-16: I2C1 REGISTER MAP**

| SFR Name | SFR Addr | Bit 15  | Bit 14 | Bit 13  | Bit 12 | Bit 11 | Bit 10           | Bit 9  | Bit 8                        | Bit 7             | Bit 6 | Bit 5 | Bit 4 | Bit 3 | Bit 2 | Bit 1 | Bit 0 | All Resets |
|----------|----------|---------|--------|---------|--------|--------|------------------|--------|------------------------------|-------------------|-------|-------|-------|-------|-------|-------|-------|------------|
| I2C1RCV  | 0200     | —       | —      | —       | —      | —      | —                | —      | —                            | Receive Register  |       |       |       |       |       |       |       | 0000       |
| I2C1TRN  | 0202     | —       | —      | —       | —      | —      | —                | —      | —                            | Transmit Register |       |       |       |       |       |       |       | 00FF       |
| I2C1BRG  | 0204     | —       | —      | —       | —      | —      | —                | —      | Baud Rate Generator Register |                   |       |       |       |       |       |       | 0000  |            |
| I2C1CON  | 0206     | I2CEN   | —      | I2CSIDL | SCLREL | IPMIEN | A10M             | DISSLW | SMEN                         | GCEN              | STREN | ACKDT | ACKEN | RCEN  | PEN   | RSEN  | SEN   | 1000       |
| I2C1STAT | 0208     | ACKSTAT | TRSTAT | —       | —      | —      | BCL              | GCSTAT | ADD10                        | IWCOL             | I2COV | D_A   | P     | S     | R_W   | RBF   | TBF   | 0000       |
| I2C1ADD  | 020A     | —       | —      | —       | —      | —      | Address Register |        |                              |                   |       |       |       |       | 0000  |       |       |            |
| I2C1MSK  | 020C     | —       | —      | —       | —      | —      | AMSK<9:0>        |        |                              |                   |       |       |       |       | 0000  |       |       |            |

**Legend:** x = unknown value on Reset, — = unimplemented, read as '0'. Reset values are shown in hexadecimal.

**TABLE 4-17: UART1 REGISTER MAP FOR dsPIC33FJ06GS101A, dsPIC33FJ06GS102A, dsPIC33FJ06GS202A AND dsPIC33FJ09GS302**

| SFR Name | SFR Addr | Bit 15                        | Bit 14 | Bit 13   | Bit 12 | Bit 11 | Bit 10 | Bit 9 | Bit 8                  | Bit 7        | Bit 6  | Bit 5 | Bit 4  | Bit 3 | Bit 2      | Bit 1 | Bit 0 | All Resets |
|----------|----------|-------------------------------|--------|----------|--------|--------|--------|-------|------------------------|--------------|--------|-------|--------|-------|------------|-------|-------|------------|
| U1MODE   | 0220     | UARTEN                        | —      | USIDL    | IREN   | RTSMD  | —      | UEN1  | UEN0                   | WAKE         | LPBACK | ABAUD | URXINV | BRGH  | PDSEL<1:0> |       | STSEL | 0000       |
| U1STA    | 0222     | UTXISEL1                      | UTXINV | UTXISEL0 | —      | UTXBRK | UTXEN  | UTXBF | TRMT                   | URXISEL<1:0> |        | ADDEN | RIDLE  | PERR  | FERR       | OERR  | URXDA | 0110       |
| U1TXREG  | 0224     | —                             | —      | —        | —      | —      | —      | —     | UART Transmit Register |              |        |       |        |       |            |       | xxxx  |            |
| U1RXREG  | 0226     | —                             | —      | —        | —      | —      | —      | —     | UART Receive Register  |              |        |       |        |       |            |       | 0000  |            |
| U1BRG    | 0228     | Baud Rate Generator Prescaler |        |          |        |        |        |       |                        |              |        |       |        |       |            |       |       | 0000       |

**Legend:** x = unknown value on Reset, — = unimplemented, read as '0'. Reset values are shown in hexadecimal.

**TABLE 4-18: SPI1 REGISTER MAP FOR dsPIC33FJ06GS101A, dsPIC33FJ06GS102A, dsPIC33FJ06GS202A AND dsPIC33FJ09GS302**

| SFR Name | SFR Addr | Bit 15                                    | Bit 14 | Bit 13  | Bit 12 | Bit 11 | Bit 10 | Bit 9 | Bit 8 | Bit 7 | Bit 6  | Bit 5 | Bit 4     | Bit 3 | Bit 2 | Bit 1     | Bit 0  | All Resets |
|----------|----------|---|--------|---------|--------|--------|--------|-------|-------|-------|--------|-------|-----------|-------|-------|-----------|--------|------------|
| SPI1STAT | 0240     | SPIEN                                     | —      | SPISIDL | —      | —      | —      | —     | —     | —     | SPIROV | —     | —         | —     | —     | SPITBF    | SPIRBF | 0000       |
| SPI1CON1 | 0242     | —   | —      | —       | DISSCK | DISSDO | MODE16 | SMP   | CKE   | SSEN  | CKP    | MSTEN | SPRE<2:0> |       |       | PPRE<1:0> |        | 0000       |
| SPI1CON2 | 0244     | FRMEN                                     | SPIFSD | FRMPOL  | —      | —      | —      | —     | —     | —     | —      | —     | —         | —     | —     | FRMDLY    | —      | 0000       |
| SPI1BUF  | 0248     | SPI1 Transmit and Receive Buffer Register |        |         |        |        |        |       |       |       |        |       |           |       |       |           |        | 0000       |

**Legend:** x = unknown value on Reset, — = unimplemented, read as '0'. Reset values are shown in hexadecimal.

**TABLE 4-19: CONSTANT CURRENT SOURCE REGISTER MAP**

| File Name | ADR  | Bit 15 | Bit 14 | Bit 13 | Bit 12 | Bit 11 | Bit 10      | Bit 9 | Bit 8 | Bit 7 | Bit 6 | Bit 5 | Bit 4        | Bit 3 | Bit 2 | Bit 1 | Bit 0 | All Resets |
|-----------|------|--------|--------|--------|--------|--------|-------------|-------|-------|-------|-------|-------|--------------|-------|-------|-------|-------|------------|
| ISRCCON   | 0500 | ISRCEN | —      | —      | —      | —      | OUTSEL<2:0> |       |       |       | —     | —     | ISRCCAL<5:0> |       |       |       | 0000  |            |

**Legend:** x = unknown value on Reset, — = unimplemented, read as '0'. Reset values are shown in hexadecimal.

**TABLE 4-20: HIGH-SPEED 10-BIT ADC REGISTER MAP FOR dsPIC33FJ06GS001 AND dsPIC33FJ06GS101A**

| SFR Name | SFR Addr | Bit 15             | Bit 14 | Bit 13 | Bit 12       | Bit 11 | Bit 10 | Bit 9 | Bit 8 | Bit 7 | Bit 6 | Bit 5   | Bit 4     | Bit 3 | Bit 2     | Bit 1 | Bit 0 | All Resets |      |
|----------|----------|--------------------|--------|--------|--------------|--------|--------|-------|-------|-------|-------|---------|-----------|-------|-----------|-------|-------|------------|------|
| ADCON    | 0300     | ADON               | —      | ADSIDL | SLOWCLK      | —      | GSWTRG | —     | FORM  | EIE   | ORDER | SEQSAMP | ASYNCSAMP | —     | ADCS<2:0> |       |       | 0003       |      |
| ADPCFG   | 0302     | —                  | —      | —      | —            | —      | —      | —     | —     | PCFG7 | PCFG6 | —       | —         | PCFG3 | PCFG2     | PCFG1 | PCFG0 | 0000       |      |
| ADSTAT   | 0306     | —                  | —      | —      | —            | —      | —      | —     | —     | —     | P6RDY | —       | —         | P3RDY | —         | P1RDY | P0RDY | 0000       |      |
| ADBASE   | 0308     | ADBASE<15:1>       |        |        |              |        |        |       |       |       |       |         |           |       |           |       |       | —          | 0000 |
| ADCPC0   | 030A     | IRQEN1             | PEND1  | SWTRG1 | TRGSRC1<4:0> |        |        |       | —     | —     | —     | —       | —         | —     | —         | —     | —     | —          | 0000 |
| ADCPC1   | 030C     | IRQEN3             | PEND3  | SWTRG3 | TRGSRC3<4:0> |        |        |       | —     | —     | —     | —       | —         | —     | —         | —     | —     | —          | 0000 |
| ADCPC3   | 0310     | —                  | —      | —      | —            | —      | —      | —     | —     | —     | —     | —       | —         | —     | —         | —     | —     | —          | 0000 |
| ADCBUF0  | 0320     | ADC Data Buffer 0  |        |        |              |        |        |       |       |       |       |         |           |       |           |       |       | xxxx       |      |
| ADCBUF1  | 0322     | ADC Data Buffer 1  |        |        |              |        |        |       |       |       |       |         |           |       |           |       |       | xxxx       |      |
| ADCBUF2  | 0324     | ADC Data Buffer 2  |        |        |              |        |        |       |       |       |       |         |           |       |           |       |       | xxxx       |      |
| ADCBUF3  | 0326     | ADC Data Buffer 3  |        |        |              |        |        |       |       |       |       |         |           |       |           |       |       | xxxx       |      |
| ADCBUF6  | 032C     | ADC Data Buffer 6  |        |        |              |        |        |       |       |       |       |         |           |       |           |       |       | xxxx       |      |
| ADCBUF7  | 032E     | ADC Data Buffer 7  |        |        |              |        |        |       |       |       |       |         |           |       |           |       |       | xxxx       |      |
| ADCBUF12 | 0338     | ADC Data Buffer 12 |        |        |              |        |        |       |       |       |       |         |           |       |           |       |       | xxxx       |      |
| ADCBUF13 | 033A     | ADC Data Buffer 13 |        |        |              |        |        |       |       |       |       |         |           |       |           |       |       | xxxx       |      |

**Legend:** x = unknown value on Reset, — = unimplemented, read as '0'. Reset values are shown in hexadecimal.



**TABLE 4-21: HIGH-SPEED 10-BIT ADC REGISTER MAP FOR dsPIC33FJ06GS102A AND dsPIC33FJ06GS202A**

| SFR Name | SFR Addr | Bit 15             | Bit 14 | Bit 13 | Bit 12       | Bit 11 | Bit 10 | Bit 9 | Bit 8 | Bit 7  | Bit 6 | Bit 5   | Bit 4        | Bit 3  | Bit 2        | Bit 1 | Bit 0 | All Resets |      |      |
|----------|----------|--------------------|--------|--------|--------------|--------|--------|-------|-------|--------|-------|---------|--------------|--------|--------------|-------|-------|------------|------|------|
| ADCON    | 0300     | ADON               | —      | ADSIDL | SLOWCLK      | —      | GSWTRG | —     | FORM  | EIE    | ORDER | SEQSAMP | ASYNCSAMP    | —      | ADCS<2:0>    |       |       | 0003       |      |      |
| ADPCFG   | 0302     | —                  | —      | —      | —            | —      | —      | —     | —     | —      | —     | PCFG5   | PCFG4        | PCFG3  | PCFG2        | PCFG1 | PCFG0 | 0000       |      |      |
| ADSTAT   | 0306     | —                  | —      | —      | —            | —      | —      | —     | —     | —      | P6RDY | —       | —            | —      | P2RDY        | P1RDY | P0RDY | 0000       |      |      |
| ADBASE   | 0308     | ADBASE<15:1>       |        |        |              |        |        |       |       |        |       |         |              |        |              |       |       | —          | 0000 |      |
| ADCPC0   | 030A     | IRQEN1             | PEND1  | SWTRG1 | TRGSRC1<4:0> |        |        |       |       | IRQEN0 | PEND0 | SWTRG0  | TRGSRC0<4:0> |        |              |       |       | 0000       |      |      |
| ADCPC1   | 030C     | —                  | —      | —      | —            | —      | —      | —     | —     | —      | —     | IRQEN2  | PEND2        | SWTRG2 | TRGSRC2<4:0> |       |       |            |      | 0000 |
| ADCPC3   | 0310     | —                  | —      | —      | —            | —      | —      | —     | —     | —      | —     | IRQEN6  | PEND6        | SWTRG6 | TRGSRC6<4:0> |       |       |            |      | 0000 |
| ADCBUF0  | 0320     | ADC Data Buffer 0  |        |        |              |        |        |       |       |        |       |         |              |        |              |       |       | xxxx       |      |      |
| ADCBUF1  | 0322     | ADC Data Buffer 1  |        |        |              |        |        |       |       |        |       |         |              |        |              |       |       | xxxx       |      |      |
| ADCBUF2  | 0324     | ADC Data Buffer 2  |        |        |              |        |        |       |       |        |       |         |              |        |              |       |       | xxxx       |      |      |
| ADCBUF3  | 0326     | ADC Data Buffer 3  |        |        |              |        |        |       |       |        |       |         |              |        |              |       |       | xxxx       |      |      |
| ADCBUF4  | 0328     | ADC Data Buffer 4  |        |        |              |        |        |       |       |        |       |         |              |        |              |       |       | xxxx       |      |      |
| ADCBUF5  | 032A     | ADC Data Buffer 5  |        |        |              |        |        |       |       |        |       |         |              |        |              |       |       | xxxx       |      |      |
| ADCBUF12 | 0338     | ADC Data Buffer 12 |        |        |              |        |        |       |       |        |       |         |              |        |              |       |       | xxxx       |      |      |
| ADCBUF13 | 033A     | ADC Data Buffer 13 |        |        |              |        |        |       |       |        |       |         |              |        |              |       |       | xxxx       |      |      |

**Legend:** x = unknown value on Reset, — = unimplemented, read as '0'. Reset values are shown in hexadecimal.

**TABLE 4-22: HIGH-SPEED 10-BIT ADC REGISTER MAP FOR dsPIC33FJ09GS302**

| SFR Name | SFR Addr | Bit 15             | Bit 14 | Bit 13 | Bit 12       | Bit 11 | Bit 10 | Bit 9 | Bit 8 | Bit 7  | Bit 6 | Bit 5   | Bit 4        | Bit 3 | Bit 2     | Bit 1 | Bit 0 | All Resets |      |
|----------|----------|--------------------|--------|--------|--------------|--------|--------|-------|-------|--------|-------|---------|--------------|-------|-----------|-------|-------|------------|------|
| ADCON    | 0300     | ADON               | —      | ADSIDL | SLOWCLK      | —      | GSWTRG | —     | FORM  | EIE    | ORDER | SEQSAMP | ASYNCSAMP    | —     | ADCS<2:0> |       |       | 0003       |      |
| ADPCFG   | 0302     | —                  | —      | —      | —            | —      | —      | —     | —     | PCFG7  | PCFG6 | PCFG5   | PCFG4        | PCFG3 | PCFG2     | PCFG1 | PCFG0 | 0000       |      |
| ADSTAT   | 0306     | —                  | —      | —      | —            | —      | —      | —     | —     | —      | P6RDY | —       | —            | P3RDY | P2RDY     | P1RDY | P0RDY | 0000       |      |
| ADBASE   | 0308     | ADBASE<15:1>       |        |        |              |        |        |       |       |        |       |         |              |       |           |       |       | —          | 0000 |
| ADPC0    | 030A     | IRQEN1             | PEND1  | SWTRG1 | TRGSRC1<4:0> |        |        |       |       | IRQEN0 | PEND0 | SWTRG0  | TRGSRC0<4:0> |       |           |       |       | 0000       |      |
| ADPC1    | 030C     | IRQEN3             | PEND3  | SWTRG3 | TRGSRC3<4:0> |        |        |       |       | IRQEN2 | PEND2 | SWTRG2  | TRGSRC2<4:0> |       |           |       |       | 0000       |      |
| ADPC3    | 0310     | —                  | —      | —      | —            | —      | —      | —     | —     | IRQEN6 | PEND6 | SWTRG6  | TRGSRC6<4:0> |       |           |       |       | 0000       |      |
| ADCBUF0  | 0320     | ADC Data Buffer 0  |        |        |              |        |        |       |       |        |       |         |              |       |           |       |       | xxxx       |      |
| ADCBUF1  | 0322     | ADC Data Buffer 1  |        |        |              |        |        |       |       |        |       |         |              |       |           |       |       | xxxx       |      |
| ADCBUF2  | 0324     | ADC Data Buffer 2  |        |        |              |        |        |       |       |        |       |         |              |       |           |       |       | xxxx       |      |
| ADCBUF3  | 0326     | ADC Data Buffer 3  |        |        |              |        |        |       |       |        |       |         |              |       |           |       |       | xxxx       |      |
| ADCBUF4  | 0328     | ADC Data Buffer 4  |        |        |              |        |        |       |       |        |       |         |              |       |           |       |       | xxxx       |      |
| ADCBUF5  | 032A     | ADC Data Buffer 5  |        |        |              |        |        |       |       |        |       |         |              |       |           |       |       | xxxx       |      |
| ADCBUF6  | 032C     | ADC Data Buffer 6  |        |        |              |        |        |       |       |        |       |         |              |       |           |       |       | xxxx       |      |
| ADCBUF7  | 032E     | ADC Data Buffer 7  |        |        |              |        |        |       |       |        |       |         |              |       |           |       |       | xxxx       |      |
| ADCBUF12 | 0338     | ADC Data Buffer 12 |        |        |              |        |        |       |       |        |       |         |              |       |           |       |       | xxxx       |      |
| ADCBUF13 | 033A     | ADC Data Buffer 13 |        |        |              |        |        |       |       |        |       |         |              |       |           |       |       | xxxx       |      |

**Legend:** x = unknown value on Reset, — = unimplemented, read as '0'. Reset values are shown in hexadecimal.

**TABLE 4-23: ANALOG COMPARATOR CONTROL REGISTER MAP FOR dsPIC33FJ06GS001, dsPIC33FJ06GS202A AND dsPIC33FJ09GS302**

| File Name | ADR  | Bit 15 | Bit 14 | Bit 13  | Bit 12     | Bit 11 | Bit 10 | Bit 9      | Bit 8                | Bit 7      | Bit 6 | Bit 5  | Bit 4 | Bit 3   | Bit 2 | Bit 1  | Bit 0 | All Resets |      |
|-----------|------|--------|--------|---------|------------|--------|--------|------------|----------------------|------------|-------|--------|-------|---------|-------|--------|-------|------------|------|
| CMPCON1   | 0540 | CMPON  | —      | CMPSIDL | HYSEL<1:0> |        | FLTREN | FCLKSEL    | DACOE <sup>(1)</sup> | INSEL<1:0> |       | EXTREF | HYPOL | CMPSTAT | HGAIN | CMPPOL | RANGE | 0000       |      |
| CMPDAC1   | 0542 | —      | —      | —       | —          | —      | —      | CMREF<9:0> |                      |            |       |        |       |         |       |        |       |            | 0000 |
| CMPCON2   | 0544 | CMPON  | —      | CMPSIDL | HYSEL<1:0> |        | FLTREN | FCLKSEL    | DACOE <sup>(1)</sup> | INSEL<1:0> |       | EXTREF | HYPOL | CMPSTAT | HGAIN | CMPPOL | RANGE | 0000       |      |
| CMPDAC2   | 0546 | —      | —      | —       | —          | —      | —      | CMREF<9:0> |                      |            |       |        |       |         |       |        |       |            | 0000 |

**Legend:** x = unknown value on Reset, — = unimplemented, read as '0'. Reset values are shown in hexadecimal.

**Note 1:** This bit is not available in the dsPIC33FJ06GS001 device.

**TABLE 4-24: PERIPHERAL PIN SELECT INPUT REGISTER MAP FOR dsPIC33FJ06GS001**

| SFR Name | SFR Addr | Bit 15 | Bit 14 | Bit 13      | Bit 12 | Bit 11 | Bit 10 | Bit 9 | Bit 8 | Bit 7 | Bit 6      | Bit 5       | Bit 4 | Bit 3 | Bit 2 | Bit 1 | Bit 0 | All Resets |      |
|----------|----------|--------|--------|-------------|--------|--------|--------|-------|-------|-------|------------|-------------|-------|-------|-------|-------|-------|------------|------|
| RPINR0   | 0680     | —      | —      | INT1R<5:0>  |        |        |        |       | —     | —     | —          | —           | —     | —     | —     | —     | —     | —          | 3F00 |
| RPINR1   | 0682     | —      | —      | —           | —      | —      | —      | —     | —     | —     | —          | INT2R<5:0>  |       |       |       |       | 003F  |            |      |
| RPINR2   | 0684     | —      | —      | T1CKR<5:0>  |        |        |        |       | —     | —     | —          | —           | —     | —     | —     | —     | —     | —          | 3F00 |
| RPINR3   | 0686     | —      | —      | —           | —      | —      | —      | —     | —     | —     | —          | T2CKR<5:0>  |       |       |       |       | 003F  |            |      |
| RPINR29  | 06BA     | —      | —      | FLT1R<5:0>  |        |        |        |       | —     | —     | —          | —           | —     | —     | —     | —     | —     | —          | 3F00 |
| RPINR30  | 06BC     | —      | —      | FLT3R<5:0>  |        |        |        |       | —     | —     | FLT2R<5:0> |             |       |       |       | 3F3F  |       |            |      |
| RPINR31  | 06BE     | —      | —      | FLT5R<5:0>  |        |        |        |       | —     | —     | FLT4R<5:0> |             |       |       |       | 3F3F  |       |            |      |
| RPINR32  | 06C0     | —      | —      | FLT7R<5:0>  |        |        |        |       | —     | —     | FLT6R<5:0> |             |       |       |       | 3F3F  |       |            |      |
| RPINR33  | 06C2     | —      | —      | SYNC1R<5:0> |        |        |        |       | —     | —     | FLT8R<5:0> |             |       |       |       | 3F3F  |       |            |      |
| RPINR34  | 06C4     | —      | —      | —           | —      | —      | —      | —     | —     | —     | —          | SYNC2R<5:0> |       |       |       |       | 003F  |            |      |

**Legend:** x = unknown value on Reset, — = unimplemented, read as '0'. Reset values are shown in hexadecimal.

**TABLE 4-25: PERIPHERAL PIN SELECT INPUT REGISTER MAP FOR dsPIC33FJ06GS101A AND dsPIC33FJ06GS102A**

| SFR Name | SFR Addr | Bit 15 | Bit 14 | Bit 13      | Bit 12 | Bit 11 | Bit 10 | Bit 9 | Bit 8 | Bit 7 | Bit 6      | Bit 5       | Bit 4 | Bit 3 | Bit 2 | Bit 1 | Bit 0 | All Resets |      |
|----------|----------|--------|--------|-------------|--------|--------|--------|-------|-------|-------|------------|-------------|-------|-------|-------|-------|-------|------------|------|
| RPINR0   | 0680     | —      | —      | INT1R<5:0>  |        |        |        |       | —     | —     | —          | —           | —     | —     | —     | —     | —     | —          | 3F00 |
| RPINR1   | 0682     | —      | —      | —           | —      | —      | —      | —     | —     | —     | —          | INT2R<5:0>  |       |       |       |       | 003F  |            |      |
| RPINR2   | 0684     | —      | —      | T1CKR<5:0>  |        |        |        |       | —     | —     | —          | —           | —     | —     | —     | —     | —     | —          | 3F00 |
| RPINR3   | 0686     | —      | —      | —           | —      | —      | —      | —     | —     | —     | —          | T2CKR<5:0>  |       |       |       |       | 003F  |            |      |
| RPINR11  | 0696     | —      | —      | —           | —      | —      | —      | —     | —     | —     | —          | OCFAR<5:0>  |       |       |       |       | 003F  |            |      |
| RPINR18  | 06A4     | —      | —      | U1CTSR<5:0> |        |        |        |       | —     | —     | U1RXR<5:0> |             |       |       |       | 3F3F  |       |            |      |
| RPINR20  | 06A8     | —      | —      | SCK1R<5:0>  |        |        |        |       | —     | —     | SDI1R<5:0> |             |       |       |       | 3F3F  |       |            |      |
| RPINR21  | 06AA     | —      | —      | —           | —      | —      | —      | —     | —     | —     | —          | SS1R<5:0>   |       |       |       |       | 003F  |            |      |
| RPINR29  | 06BA     | —      | —      | FLT1R<5:0>  |        |        |        |       | —     | —     | —          | —           | —     | —     | —     | —     | —     | —          | 3F00 |
| RPINR30  | 06BC     | —      | —      | FLT3R<5:0>  |        |        |        |       | —     | —     | FLT2R<5:0> |             |       |       |       | 3F3F  |       |            |      |
| RPINR31  | 06BE     | —      | —      | FLT5R<5:0>  |        |        |        |       | —     | —     | FLT4R<5:0> |             |       |       |       | 3F3F  |       |            |      |
| RPINR32  | 06C0     | —      | —      | FLT7R<5:0>  |        |        |        |       | —     | —     | FLT6R<5:0> |             |       |       |       | 3F3F  |       |            |      |
| RPINR33  | 06C2     | —      | —      | SYNC1R<5:0> |        |        |        |       | —     | —     | FLT8R<5:0> |             |       |       |       | 3F3F  |       |            |      |
| RPINR34  | 06C4     | —      | —      | —           | —      | —      | —      | —     | —     | —     | —          | SYNC2R<5:0> |       |       |       |       | 003F  |            |      |

**Legend:** x = unknown value on Reset, — = unimplemented, read as '0'. Reset values are shown in hexadecimal.

**TABLE 4-26: PERIPHERAL PIN SELECT INPUT REGISTER MAP FOR dsPIC33FJ06GS202A AND dsPIC33FJ09GS302**

| SFR Name | SFR Addr | Bit 15 | Bit 14 | Bit 13      | Bit 12 | Bit 11 | Bit 10 | Bit 9 | Bit 8 | Bit 7 | Bit 6       | Bit 5 | Bit 4      | Bit 3 | Bit 2 | Bit 1 | Bit 0 | All Resets |      |      |
|----------|----------|--------|--------|-------------|--------|--------|--------|-------|-------|-------|-------------|-------|------------|-------|-------|-------|-------|------------|------|------|
| RPINR0   | 0680     | —      | —      | INT1R<5:0>  |        |        |        |       |       |       | —           | —     | —          | —     | —     | —     | —     | —          | 3F00 |      |
| RPINR1   | 0682     | —      | —      | —           | —      | —      | —      | —     | —     | —     | INT2R<5:0>  |       |            |       |       |       |       | 003F       |      |      |
| RPINR2   | 0684     | —      | —      | T1CKR<5:0>  |        |        |        |       |       |       | —           | —     | —          | —     | —     | —     | —     | —          | 3F00 |      |
| RPINR3   | 0686     | —      | —      | —           | —      | —      | —      | —     | —     | —     | T2CKR<5:0>  |       |            |       |       |       |       | 003F       |      |      |
| RPINR7   | 068E     | —      | —      | —           | —      | —      | —      | —     | —     | —     | IC1R<5:0>   |       |            |       |       |       |       | 003F       |      |      |
| RPINR11  | 0696     | —      | —      | —           | —      | —      | —      | —     | —     | —     | OCFAR<5:0>  |       |            |       |       |       |       | 003F       |      |      |
| RPINR18  | 06A4     | —      | —      | U1CTSR<5:0> |        |        |        |       |       |       | —           | —     | U1RXR<5:0> |       |       |       |       |            |      | 3F3F |
| RPINR20  | 06A8     | —      | —      | SCK1R<5:0>  |        |        |        |       |       |       | —           | —     | SDI1R<5:0> |       |       |       |       |            |      | 3F3F |
| RPINR21  | 06AA     | —      | —      | —           | —      | —      | —      | —     | —     | —     | SS1R<5:0>   |       |            |       |       |       |       | 003F       |      |      |
| RPINR29  | 06BA     | —      | —      | FLT1R<5:0>  |        |        |        |       |       |       | —           | —     | —          | —     | —     | —     | —     | —          | 3F00 |      |
| RPINR30  | 06BC     | —      | —      | FLT3R<5:0>  |        |        |        |       |       |       | —           | —     | FLT2R<5:0> |       |       |       |       |            |      | 3F3F |
| RPINR31  | 06BE     | —      | —      | FLT5R<5:0>  |        |        |        |       |       |       | —           | —     | FLT4R<5:0> |       |       |       |       |            |      | 3F3F |
| RPINR32  | 06C0     | —      | —      | FLT7R<5:0>  |        |        |        |       |       |       | —           | —     | FLT6R<5:0> |       |       |       |       |            |      | 3F3F |
| RPINR33  | 06C2     | —      | —      | SYNC1R<5:0> |        |        |        |       |       |       | —           | —     | FLT8R<5:0> |       |       |       |       |            |      | 3F3F |
| RPINR34  | 06C4     | —      | —      | —           | —      | —      | —      | —     | —     | —     | SYNC2R<5:0> |       |            |       |       |       |       | 003F       |      |      |

**Legend:** x = unknown value on Reset, — = unimplemented, read as '0'. Reset values are shown in hexadecimal.

**TABLE 4-27: PERIPHERAL PIN SELECT OUTPUT REGISTER MAP FOR dsPIC33FJ06GS001 AND dsPIC33FJ06GS101A**

| File Name | Addr | Bit 15 | Bit 14 | Bit 13     | Bit 12 | Bit 11 | Bit 10 | Bit 9 | Bit 8 | Bit 7 | Bit 6 | Bit 5 | Bit 4      | Bit 3 | Bit 2 | Bit 1 | Bit 0 | All Resets |  |      |
|-----------|------|--------|--------|------------|--------|--------|--------|-------|-------|-------|-------|-------|------------|-------|-------|-------|-------|------------|--|------|
| RPOR0     | 06D0 | —      | —      | RP1R<5:0>  |        |        |        |       |       |       | —     | —     | RP0R<5:0>  |       |       |       |       |            |  | 0000 |
| RPOR1     | 06D2 | —      | —      | RP3R<5:0>  |        |        |        |       |       |       | —     | —     | RP2R<5:0>  |       |       |       |       |            |  | 0000 |
| RPOR2     | 06D4 | —      | —      | RP5R<5:0>  |        |        |        |       |       |       | —     | —     | RP4R<5:0>  |       |       |       |       |            |  | 0000 |
| RPOR3     | 06D6 | —      | —      | RP7R<5:0>  |        |        |        |       |       |       | —     | —     | RP6R<5:0>  |       |       |       |       |            |  | 0000 |
| RPOR16    | 06F0 | —      | —      | RP33R<5:0> |        |        |        |       |       |       | —     | —     | RP32R<5:0> |       |       |       |       |            |  | 0000 |
| RPOR17    | 06F2 | —      | —      | RP35R<5:0> |        |        |        |       |       |       | —     | —     | RP34R<5:0> |       |       |       |       |            |  | 0000 |

**Legend:** x = unknown value on Reset, — = unimplemented, read as '0'. Reset values are shown in hexadecimal.

**TABLE 4-28: PERIPHERAL PIN SELECT OUTPUT REGISTER MAP FOR dsPIC33FJ06GS102A, dsPIC33FJ06GS202A AND dsPIC33FJ09GS302**

| File Name | Addr | Bit 15 | Bit 14 | Bit 13 | Bit 12 | Bit 11 | Bit 10     | Bit 9 | Bit 8 | Bit 7 | Bit 6 | Bit 5 | Bit 4 | Bit 3      | Bit 2 | Bit 1 | Bit 0 | All Resets |
|-----------|------|--------|--------|--------|--------|--------|------------|-------|-------|-------|-------|-------|-------|------------|-------|-------|-------|------------|
| RPOR0     | 06D0 | —      | —      |        |        |        | RP1R<5:0>  |       |       | —     | —     |       |       | RP0R<5:0>  |       |       |       | 0000       |
| RPOR1     | 06D2 | —      | —      |        |        |        | RP3R<5:0>  |       |       | —     | —     |       |       | RP2R<5:0>  |       |       |       | 0000       |
| RPOR2     | 06D4 | —      | —      |        |        |        | RP5R<5:0>  |       |       | —     | —     |       |       | RP4R<5:0>  |       |       |       | 0000       |
| RPOR3     | 06D6 | —      | —      |        |        |        | RP7R<5:0>  |       |       | —     | —     |       |       | RP6R<5:0>  |       |       |       | 0000       |
| RPOR4     | 06D8 | —      | —      |        |        |        | RP9R<5:0>  |       |       | —     | —     |       |       | RP8R<5:0>  |       |       |       | 0000       |
| RPOR5     | 06DA | —      | —      |        |        |        | RP11R<5:0> |       |       | —     | —     |       |       | RP10R<5:0> |       |       |       | 0000       |
| RPOR6     | 06DC | —      | —      |        |        |        | RP13R<5:0> |       |       | —     | —     |       |       | RP12R<5:0> |       |       |       | 0000       |
| RPOR7     | 06DE | —      | —      |        |        |        | RP15R<5:0> |       |       | —     | —     |       |       | RP14R<5:0> |       |       |       | 0000       |
| RPOR16    | 06F0 | —      | —      |        |        |        | RP33<5:0>  |       |       | —     | —     |       |       | RP32<5:0>  |       |       |       | 0000       |
| RPOR17    | 06F2 | —      | —      |        |        |        | RP35<5:0>  |       |       | —     | —     |       |       | RP34<5:0>  |       |       |       | 0000       |

**Legend:** x = unknown value on Reset, — = unimplemented, read as '0'. Reset values are shown in hexadecimal.

**TABLE 4-29: PORTA REGISTER MAP**

| SFR Name | SFR Addr | Bit 15 | Bit 14 | Bit 13 | Bit 12 | Bit 11 | Bit 10 | Bit 9 | Bit 8 | Bit 7 | Bit 6 | Bit 5 | Bit 4  | Bit 3  | Bit 2  | Bit 1  | Bit 0  | All Resets |
|----------|----------|--------|--------|--------|--------|--------|--------|-------|-------|-------|-------|-------|--------|--------|--------|--------|--------|------------|
| TRISA    | 02C0     | —      | —      | —      | —      | —      | —      | —     | —     | —     | —     | —     | TRISA4 | TRISA3 | TRISA2 | TRISA1 | TRISA0 | 001F       |
| PORTA    | 02C2     | —      | —      | —      | —      | —      | —      | —     | —     | —     | —     | —     | RA4    | RA3    | RA2    | RA1    | RA0    | xxxx       |
| LATA     | 02C4     | —      | —      | —      | —      | —      | —      | —     | —     | —     | —     | —     | LATA4  | LATA3  | LATA2  | LATA1  | LATA0  | 0000       |
| ODCA     | 02C6     | —      | —      | —      | —      | —      | —      | —     | —     | —     | —     | —     | ODCA4  | ODCA3  | —      | —      | —      | 0000       |

**Legend:** x = unknown value on Reset, — = unimplemented, read as '0'. Reset values are shown in hexadecimal.

**TABLE 4-30: PORTB REGISTER MAP FOR dsPIC33FJ06GS001 AND dsPIC33FJ06GS101A**

| SFR Name | SFR Addr | Bit 15 | Bit 14 | Bit 13 | Bit 12 | Bit 11 | Bit 10 | Bit 9 | Bit 8 | Bit 7  | Bit 6  | Bit 5  | Bit 4  | Bit 3  | Bit 2  | Bit 1  | Bit 0  | All Resets |
|----------|----------|--------|--------|--------|--------|--------|--------|-------|-------|--------|--------|--------|--------|--------|--------|--------|--------|------------|
| TRISB    | 02C8     | —      | —      | —      | —      | —      | —      | —     | —     | TRISB7 | TRISB6 | TRISB5 | TRISB4 | TRISB3 | TRISB2 | TRISB1 | TRISB0 | 00FF       |
| PORTB    | 02CA     | —      | —      | —      | —      | —      | —      | —     | —     | RB7    | RB6    | RB5    | RB4    | RB3    | RB2    | RB1    | RB0    | xxxx       |
| LATB     | 02CC     | —      | —      | —      | —      | —      | —      | —     | —     | LATB7  | LATB6  | LATB5  | LATB4  | LATB3  | LATB2  | LATB1  | LATB0  | 0000       |
| ODCB     | 02CE     | —      | —      | —      | —      | —      | —      | —     | —     | ODCB7  | ODCB6  | —      | —      | —      | —      | —      | —      | 0000       |

**Legend:** x = unknown value on Reset, — = unimplemented, read as '0'. Reset values are shown in hexadecimal.

**TABLE 4-31: PORTB REGISTER MAP FOR dsPIC33FJ06GS102A, dsPIC33FJ06GS202A AND dsPIC33FJ09GS302**

| SFR Name | SFR Addr | Bit 15  | Bit 14  | Bit 13  | Bit 12  | Bit 11  | Bit 10  | Bit 9  | Bit 8  | Bit 7  | Bit 6  | Bit 5  | Bit 4  | Bit 3  | Bit 2  | Bit 1  | Bit 0  | All Resets |
|----------|----------|---------|---------|---------|---------|---------|---------|--------|--------|--------|--------|--------|--------|--------|--------|--------|--------|------------|
| TRISB    | 02C8     | TRISB15 | TRISB14 | TRISB13 | TRISB12 | TRISB11 | TRISB10 | TRISB9 | TRISB8 | TRISB7 | TRISB6 | TRISB5 | TRISB4 | TRISB3 | TRISB2 | TRISB1 | TRISB0 | FFFF       |
| PORTB    | 02CA     | RB15    | RB14    | RB13    | RB12    | RB11    | RB10    | RB9    | RB8    | RB7    | RB6    | RB5    | RB4    | RB3    | RB2    | RB1    | RB0    | xxxx       |
| LATB     | 02CC     | LATB15  | LATB14  | LATB13  | LATB12  | LATB11  | LATB10  | LATB9  | LATB8  | LATB7  | LATB6  | LATB5  | LATB4  | LATB3  | LATB2  | LATB1  | LATB0  | 0000       |
| ODCB     | 02CE     | ODCB15  | ODCB14  | ODCB13  | ODCB12  | ODCB11  | —       | —      | ODCB8  | ODCB7  | ODCB6  | —      | —      | —      | —      | —      | —      | 0000       |

**Legend:** x = unknown value on Reset, — = unimplemented, read as '0'. Reset values are shown in hexadecimal.

**TABLE 4-32: SYSTEM CONTROL REGISTER MAP**

| SFR Name | SFR Addr | Bit 15 | Bit 14     | Bit 13  | Bit 12 | Bit 11     | Bit 10       | Bit 9 | Bit 8       | Bit 7        | Bit 6    | Bit 5       | Bit 4 | Bit 3 | Bit 2 | Bit 1 | Bit 0 | All Resets          |      |
|----------|----------|--------|------------|---------|--------|------------|--------------|-------|-------------|--------------|----------|-------------|-------|-------|-------|-------|-------|---------------------|------|
| RCON     | 0740     | TRAPR  | IOPUWR     | —       | —      | —          | —            | CM    | VREGS       | EXTR         | SWR      | SWDTEN      | WDTO  | SLEEP | IDLE  | BOR   | POR   | xxxx <sup>(1)</sup> |      |
| OSCCON   | 0742     | —      | COSC<2:0>  |         |        | —          | NOSC<2:0>    |       |             | CLKLOCK      | IOLOCK   | LOCK        | —     | CF    | —     | —     | OSWEN | 0300 <sup>(2)</sup> |      |
| CLKDIV   | 0744     | ROI    | DOZE<2:0>  |         |        | DOZEN      | FRCDIV<2:0>  |       |             | PLLPOST<1:0> | —        | PLLPRE<4:0> |       |       |       |       | 3040  |                     |      |
| PLLFBD   | 0746     | —      | —          | —       | —      | —          | —            | —     | PLLDIV<8:0> |              |          |             |       |       |       |       |       | 0030                |      |
| OSCTUN   | 0748     | —      | —          | —       | —      | —          | —            | —     | —           | —            | TUN<5:0> |             |       |       |       |       |       | 0000                |      |
| LFSR     | 074C     | —      | LFSR<14:0> |         |        |            |              |       |             |              |          |             |       |       |       |       |       | 0000                |      |
| REFOCON  | 074E     | ROON   | —          | ROSSLP  | ROSEL  | RODIV<3:0> |              |       |             | —            | —        | —           | —     | —     | —     | —     | —     | —                   | 0000 |
| ACLKCON  | 0750     | ENAPLL | APLLCK     | SELACLK | —      | —          | APSTSLR<2:0> |       |             | ASRCSEL      | FRCSEL   | —           | —     | —     | —     | —     | —     | —                   | 0000 |

**Legend:** x = unknown value on Reset, — = unimplemented, read as '0'. Reset values are shown in hexadecimal.

**Note 1:** The RCON register Reset values are dependent on the type of Reset.

**Note 2:** The OSCCON register Reset values are dependent on the FOSCx Configuration bits and on type of Reset.

**TABLE 4-33: NVM REGISTER MAP**

| File Name | Addr | Bit 15 | Bit 14 | Bit 13 | Bit 12 | Bit 11 | Bit 10 | Bit 9 | Bit 8       | Bit 7 | Bit 6 | Bit 5 | Bit 4 | Bit 3      | Bit 2 | Bit 1 | Bit 0               | All Resets |
|-----------|------|--------|--------|--------|--------|--------|--------|-------|-------------|-------|-------|-------|-------|------------|-------|-------|---------------------|------------|
| NVMCON    | 0760 | WR     | WREN   | WRERR  | —      | —      | —      | —     | —           | —     | ERASE | —     | —     | NVMOP<3:0> |       |       | 0000 <sup>(1)</sup> |            |
| NVMKEY    | 0766 | —      | —      | —      | —      | —      | —      | —     | NVMKEY<7:0> |       |       |       |       |            |       |       |                     | 0000       |

**Legend:** x = unknown value on Reset, — = unimplemented, read as '0'. Reset values are shown in hexadecimal.

**Note 1:** Reset value shown is for POR only. Value on other Reset states is dependent on the state of memory write or erase operations at the time of Reset.

**TABLE 4-34: PMD REGISTER MAP FOR dsPIC33FJ06GS001**

| SFR Name | SFR Addr | Bit 15 | Bit 14 | Bit 13 | Bit 12 | Bit 11 | Bit 10 | Bit 9  | Bit 8  | Bit 7  | Bit 6 | Bit 5 | Bit 4 | Bit 3  | Bit 2 | Bit 1 | Bit 0 | All Resets |
|----------|----------|--------|--------|--------|--------|--------|--------|--------|--------|--------|-------|-------|-------|--------|-------|-------|-------|------------|
| PMD1     | 0770     | —      | —      | —      | T2MD   | T1MD   | —      | PWMMD  | —      | I2C1MD | —     | —     | —     | —      | —     | —     | ADCMD | 0000       |
| PMD3     | 0774     | —      | —      | —      | —      | —      | CMPMD  | —      | —      | —      | —     | —     | —     | —      | —     | —     | —     | 0000       |
| PMD4     | 0776     | —      | —      | —      | —      | —      | —      | —      | —      | —      | —     | —     | —     | REFOMD | —     | —     | —     | 0000       |
| PMD6     | 077A     | —      | —      | —      | —      | PWM4MD | —      | —      | PWM1MD | —      | —     | —     | —     | —      | —     | —     | —     | 0000       |
| PMD7     | 077C     | —      | —      | —      | —      | —      | —      | CMPMD2 | CMPMD1 | —      | —     | —     | —     | —      | —     | —     | —     | 0000       |

**Legend:** x = unknown value on Reset, — = unimplemented, read as '0'. Reset values are shown in hexadecimal.

**TABLE 4-35: PMD REGISTER MAP FOR dsPIC33FJ06GS101A**

| SFR Name | SFR Addr | Bit 15 | Bit 14 | Bit 13 | Bit 12 | Bit 11 | Bit 10 | Bit 9 | Bit 8  | Bit 7  | Bit 6 | Bit 5 | Bit 4 | Bit 3  | Bit 2 | Bit 1 | Bit 0 | All Resets |
|----------|----------|--------|--------|--------|--------|--------|--------|-------|--------|--------|-------|-------|-------|--------|-------|-------|-------|------------|
| PMD1     | 0770     | —      | —      | —      | T2MD   | T1MD   | —      | PWMMD | —      | I2C1MD | —     | U1MD  | —     | SPI1MD | —     | —     | ADCMD | 0000       |
| PMD2     | 0772     | —      | —      | —      | —      | —      | —      | —     | —      | —      | —     | —     | —     | —      | —     | —     | OC1MD | 0000       |
| PMD4     | 0776     | —      | —      | —      | —      | —      | —      | —     | —      | —      | —     | —     | —     | REFOMD | —     | —     | —     | 0000       |
| PMD6     | 077A     | —      | —      | —      | —      | PWM4MD | —      | —     | PWM1MD | —      | —     | —     | —     | —      | —     | —     | —     | 0000       |

**Legend:** x = unknown value on Reset, — = unimplemented, read as '0'. Reset values are shown in hexadecimal.

**TABLE 4-36: PMD REGISTER MAP FOR dsPIC33FJ06GS102A**

| SFR Name | SFR Addr | Bit 15 | Bit 14 | Bit 13 | Bit 12 | Bit 11 | Bit 10 | Bit 9  | Bit 8  | Bit 7  | Bit 6 | Bit 5 | Bit 4 | Bit 3  | Bit 2 | Bit 1 | Bit 0 | All Resets |
|----------|----------|--------|--------|--------|--------|--------|--------|--------|--------|--------|-------|-------|-------|--------|-------|-------|-------|------------|
| PMD1     | 0770     | —      | —      | —      | T2MD   | T1MD   | —      | PWMMD  | —      | I2C1MD | —     | U1MD  | —     | SPI1MD | —     | —     | ADCMD | 0000       |
| PMD2     | 0772     | —      | —      | —      | —      | —      | —      | —      | —      | —      | —     | —     | —     | —      | —     | —     | OC1MD | 0000       |
| PMD4     | 0776     | —      | —      | —      | —      | —      | —      | —      | —      | —      | —     | —     | —     | REFOMD | —     | —     | —     | 0000       |
| PMD6     | 077A     | —      | —      | —      | —      | —      | —      | PWM2MD | PWM1MD | —      | —     | —     | —     | —      | —     | —     | —     | 0000       |

**Legend:** x = unknown value on Reset, — = unimplemented, read as '0'. Reset values are shown in hexadecimal.



**TABLE 4-37: PMD REGISTER MAP FOR dsPIC33FJ06GS202A**

| SFR Name | SFR Addr | Bit 15 | Bit 14 | Bit 13 | Bit 12 | Bit 11 | Bit 10 | Bit 9  | Bit 8  | Bit 7  | Bit 6 | Bit 5 | Bit 4 | Bit 3  | Bit 2 | Bit 1 | Bit 0 | All Resets |
|----------|----------|--------|--------|--------|--------|--------|--------|--------|--------|--------|-------|-------|-------|--------|-------|-------|-------|------------|
| PMD1     | 0770     | —      | —      | —      | T2MD   | T1MD   | —      | PWMMD  | —      | I2C1MD | —     | U1MD  | —     | SPI1MD | —     | —     | ADCMD | 0000       |
| PMD2     | 0772     | —      | —      | —      | —      | —      | —      | —      | IC1MD  | —      | —     | —     | —     | —      | —     | —     | OC1MD | 0000       |
| PMD3     | 0774     | —      | —      | —      | —      | —      | CMPMD  | —      | —      | —      | —     | —     | —     | —      | —     | —     | —     | 0000       |
| PMD4     | 0776     | —      | —      | —      | —      | —      | —      | —      | —      | —      | —     | —     | —     | REFOMD | —     | —     | —     | 0000       |
| PMD6     | 077A     | —      | —      | —      | —      | —      | —      | PWM2MD | PWM1MD | —      | —     | —     | —     | —      | —     | —     | —     | 0000       |
| PMD7     | 077C     | —      | —      | —      | —      | —      | —      | CMP2MD | CMP1MD | —      | —     | —     | —     | —      | —     | —     | —     | 0000       |

**Legend:** x = unknown value on Reset, — = unimplemented, read as '0'. Reset values are shown in hexadecimal.

**TABLE 4-38: PMD REGISTER MAP FOR dsPIC33FJ09GS302**

| SFR Name | SFR Addr | Bit 15 | Bit 14 | Bit 13 | Bit 12 | Bit 11 | Bit 10 | Bit 9  | Bit 8  | Bit 7  | Bit 6 | Bit 5 | Bit 4 | Bit 3  | Bit 2 | Bit 1 | Bit 0 | All Resets |
|----------|----------|--------|--------|--------|--------|--------|--------|--------|--------|--------|-------|-------|-------|--------|-------|-------|-------|------------|
| PMD1     | 0770     | —      | —      | —      | T2MD   | T1MD   | —      | PWMMD  | —      | I2C1MD | —     | U1MD  | —     | SPI1MD | —     | —     | ADCMD | 0000       |
| PMD2     | 0772     | —      | —      | —      | —      | —      | —      | —      | IC1MD  | —      | —     | —     | —     | —      | —     | —     | OC1MD | 0000       |
| PMD3     | 0774     | —      | —      | —      | —      | —      | CMPMD  | —      | —      | —      | —     | —     | —     | —      | —     | —     | —     | 0000       |
| PMD4     | 0776     | —      | —      | —      | —      | —      | —      | —      | —      | —      | —     | —     | —     | REFOMD | —     | —     | —     | 0000       |
| PMD6     | 077A     | —      | —      | —      | —      | PWM4MD | —      | PWM2MD | PWM1MD | —      | —     | —     | —     | —      | —     | —     | —     | 0000       |
| PMD7     | 077C     | —      | —      | —      | —      | —      | —      | CMP2MD | CMP1MD | —      | —     | —     | —     | —      | —     | —     | —     | 0000       |
| PMD8     | 077E     | —      | —      | —      | —      | —      | —      | —      | —      | —      | —     | —     | —     | —      | —     | CCSMD | —     | 0000       |

**Legend:** x = unknown value on Reset, — = unimplemented, read as '0'. Reset values are shown in hexadecimal.

## 4.3.1 SOFTWARE STACK

In addition to its use as a working register, the W15 register in the devices is also used as a software Stack Pointer. The Stack Pointer always points to the first available free word and grows from lower to higher addresses. It predecrements for stack pops and post-increments for stack pushes, as shown in Figure 4-5. For a PC push during any CALL instruction, the MSb of the PC is zero-extended before the push, ensuring that the MSb is always clear.

**Note:** A PC push during exception processing concatenates the SRL register to the MSb of the PC prior to the push.

The Stack Pointer Limit register (SPLIM) associated with the Stack Pointer sets an upper address boundary for the stack. SPLIM is uninitialized at Reset. As is the case for the Stack Pointer, SPLIM<0> is forced to '0' because all stack operations must be word-aligned.

Whenever an EA is generated using W15 as a source or destination pointer, the resulting address is compared with the value in SPLIM. If the contents of the Stack Pointer (W15) and the SPLIM register are equal and a push operation is performed, a stack error trap will not occur. The stack error trap will occur on a subsequent push operation. For example, to cause a stack error trap when the stack grows beyond address 0x1000 in RAM, initialize the SPLIM with the value 0x0FFE.

Similarly, a Stack Pointer underflow (stack error) trap is generated when the Stack Pointer address is found to be less than 0x0800. This prevents the stack from interfering with the Special Function Register (SFR) space.

A write to the SPLIM register should not be immediately followed by an indirect read operation using W15.

**FIGURE 4-5: CALL STACK FRAME**



## 4.4 Instruction Addressing Modes

The addressing modes shown in Table 4-39 form the basis of the addressing modes optimized to support the specific features of individual instructions. The addressing modes provided in the MAC class of instructions differ from those in the other instruction types.

### 4.4.1 FILE REGISTER INSTRUCTIONS

Most file register instructions use a 13-bit address field (f) to directly address data present in the first 8192 bytes of data memory (Near Data Space). Most file register instructions employ a working register, W0, which is denoted as WREG in these instructions. The destination is typically either the same file register or WREG (with the exception of the MUL instruction), which writes the result to a register or register pair. The MOV instruction allows additional flexibility and can access the entire data space.

### 4.4.2 MCU INSTRUCTIONS

The three-operand MCU instructions are of the form:

Operand 3 = Operand 1 <function> Operand 2

where Operand 1 is always a working register (that is, the addressing mode can only be register direct), which is referred to as Wb. Operand 2 can be a W register, fetched from data memory, or a 5-bit literal. The result location can be either a W register or a data memory location. The following addressing modes are supported by MCU instructions:

- Register Direct
- Register Indirect
- Register Indirect Post-Modified
- Register Indirect Pre-Modified
- 5-Bit or 10-Bit Literal

**Note:** Not all instructions support all of the addressing modes shown above. Individual instructions can support different subsets of these addressing modes.

**TABLE 4-39: FUNDAMENTAL ADDRESSING MODES SUPPORTED**

| Addressing Mode   | Description  |
|---|--|
| File Register Direct                                      | The address of the File register is specified explicitly.  |
| Register Direct   | The contents of a register are accessed directly.  |
| Register Indirect   | The contents of Wn forms the Effective Address (EA).   |
| Register Indirect Post-Modified                           | The contents of Wn forms the EA. Wn is post-modified (incremented or decremented) by a constant value. |
| Register Indirect Pre-Modified                            | Wn is pre-modified (incremented or decremented) by a signed constant value to form the EA.             |
| Register Indirect with Register Offset (Register Indexed) | The sum of Wn and Wb forms the EA.   |
| Register Indirect with Literal Offset                     | The sum of Wn and a literal forms the EA.  |

#### 4.4.3 MOVE AND ACCUMULATOR INSTRUCTIONS

Move instructions and the DSP accumulator class of instructions provide a greater degree of addressing flexibility than other instructions. In addition to the addressing modes supported by most MCU instructions, move and accumulator instructions also support Register Indirect with Register Offset Addressing mode, also referred to as Register Indexed mode.

**Note:** For the `MOV` instructions, the addressing mode specified in the instruction can differ for the source and destination EA. However, the 4-bit Wb (register offset) field is shared by both source and destination (but typically only used by one).

In summary, the following addressing modes are supported by move and accumulator instructions:

- Register Direct
- Register Indirect
- Register Indirect Post-modified
- Register Indirect Pre-modified
- Register Indirect with Register Offset (Indexed)
- Register Indirect with Literal Offset
- 8-Bit Literal
- 16-Bit Literal

**Note:** Not all instructions support all the addressing modes given above. Individual instructions may support different subsets of these addressing modes.

#### 4.4.4 MAC INSTRUCTIONS

The dual source operand DSP instructions (`CLR`, `ED`, `EDAC`, `MAC`, `MPY`, `MPY.N`, `MOVSA` and `MSC`), also referred to as `MAC` instructions, use a simplified set of addressing modes to allow the user application to effectively manipulate the data pointers through register indirect tables.

The two-source operand prefetch registers must be members of the set {W8, W9, W10, W11}. For data reads, W8 and W9 are always directed to the X RAGU, and W10 and W11 are always directed to the Y AGU. The Effective Addresses generated (before and after modification) must, therefore, be valid addresses within X data space for W8 and W9 and Y data space for W10 and W11.

**Note:** Register Indirect with Register Offset Addressing mode is available only for W9 (in X space) and W11 (in Y space).

In summary, the following addressing modes are supported by the `MAC` class of instructions:

- Register Indirect
- Register Indirect Post-modified by 2
- Register Indirect Post-modified by 4
- Register Indirect Post-modified by 6
- Register Indirect with Register Offset (Indexed)

#### 4.4.5 OTHER INSTRUCTIONS

Besides the addressing modes outlined previously, some instructions use literal constants of various sizes. For example, `BRA` (branch) instructions use 16-bit signed literals to specify the branch destination directly, whereas the `DISI` instruction uses a 14-bit unsigned literal field. In some instructions, such as `ADD Acc`, the source of an operand or result is implied by the opcode itself. Certain operations, such as `NOE`, do not have any operands.

4.5 Modulo Addressing

Modulo Addressing mode is a method used to provide an automated means to support circular data buffers using hardware. The objective is to remove the need for software to perform data address boundary checks when executing tightly looped code, as is typical in many DSP algorithms.

Modulo Addressing can operate in either data or program space (since the data pointer mechanism is essentially the same for both). One circular buffer can be supported in each of the X (which also provides the pointers into program space) and Y data spaces. Modulo Addressing can operate on any W register pointer. However, it is not advisable to use W14 or W15 for Modulo Addressing since these two registers are used as the Stack Frame Pointer and Stack Pointer, respectively.

In general, any particular circular buffer can be configured to operate in only one direction as there are certain restrictions on the buffer start address (for incrementing buffers), or end address (for decrementing buffers), based upon the direction of the buffer.

The only exception to the usage restrictions is for buffers that have a power-of-two length. As these buffers satisfy the start and end address criteria, they can operate in a bidirectional mode (that is, address boundary checks are performed on both the lower and upper address boundaries).

4.5.1 START AND END ADDRESS

The Modulo Addressing scheme requires that a starting and ending address be specified and loaded into the 16-bit Modulo Buffer Address registers: XMODSRT, XMODEND, YMODSRT and YMODEND (see Table 4-1).

**Note:** Y space Modulo Addressing EA calculations assume word-sized data (LSb of every EA is always clear).

The length of a circular buffer is not directly specified. It is determined by the difference between the corresponding start and end addresses. The maximum possible length of the circular buffer is 32K words (64 Kbytes).

4.5.2 W ADDRESS REGISTER SELECTION

The Modulo and Bit-Reversed Addressing Control register, MODCON<15:0>, contains enable flags as well as a W register field to specify the W Address registers. The XWM and YWM fields select the registers that will operate with Modulo Addressing:

- If XWM = 15, X RAGU and X WAGU Modulo Addressing is disabled
- If YWM = 15, Y AGU Modulo Addressing is disabled

The X Address Space Pointer W register (XWM), to which Modulo Addressing is to be applied, is stored in MODCON<3:0> (see Table 4-1). Modulo Addressing is enabled for X data space when XWM is set to any value other than '15' and the XMODEN bit is set at MODCON<15>.

The Y Address Space Pointer W register (YWM) to which Modulo Addressing is to be applied is stored in MODCON<7:4>. Modulo Addressing is enabled for Y data space when YWM is set to any value other than '15' and the YMODEN bit is set at MODCON<14>.

FIGURE 4-6: MODULO ADDRESSING OPERATION EXAMPLE



## 4.5.3 MODULO ADDRESSING APPLICABILITY

Modulo Addressing can be applied to the Effective Address (EA) calculation associated with any W register. Address boundaries check for addresses equal to:

- Upper boundary addresses for incrementing buffers
- Lower boundary addresses for decrementing buffers

It is important to realize that the address boundaries check for addresses less than or greater than the upper (for incrementing buffers) and lower (for decrementing buffers) boundary addresses (not just equal to). Address changes can, therefore, jump beyond boundaries and still be adjusted correctly.

**Note:** The modulo corrected Effective Address is written back to the register only when Pre-Modify or Post-Modify Addressing mode is used to compute the Effective Address. When an address offset (such as  $[W7 + W2]$ ) is used, Modulo Addressing correction is performed but the contents of the register remain unchanged.

## 4.6 Bit-Reversed Addressing

Bit-Reversed Addressing mode is intended to simplify data re-ordering for radix-2 FFT algorithms. It is supported by the X AGU for data writes only.

The modifier, which can be a constant value or register contents, is regarded as having its bit order reversed. The address source and destination are kept in normal order. Thus, the only operand requiring reversal is the modifier.

### 4.6.1 BIT-REVERSED ADDRESSING IMPLEMENTATION

Bit-Reversed Addressing mode is enabled when all of these conditions are met:

- BWMx bits (W register selection) in the MODCON register are any value other than '15' (the stack cannot be accessed using Bit-Reversed Addressing)
- BREN bit is set in the XBREV register
- Addressing mode used is Register Indirect with Pre-increment or Post-increment

If the length of a bit-reversed buffer is  $M = 2^N$  bytes, the last 'N' bits of the data buffer start address must be zeros.

$XB<14:0>$  is the Bit-Reversed Address modifier, or 'pivot point,' which is typically a constant. In the case of an FFT computation, its value is equal to half of the FFT data buffer size.

**Note:** All bit-reversed EA calculations assume word-sized data (LSb of every EA is always clear). The XB value is scaled accordingly to generate compatible (byte) addresses.

When enabled, Bit-Reversed Addressing is executed only for Register Indirect with Pre-Increment or Post-Increment Addressing and word-sized data writes. It will not function for any other addressing mode or for byte-sized data, and normal addresses are generated instead. When Bit-Reversed Addressing is active, the W Address Pointer is always added to the address modifier (XB), and the offset associated with the Register Indirect Addressing mode is ignored. In addition, as word-sized data is a requirement, the LSb of the EA is ignored (and always clear).

**Note:** Modulo Addressing and Bit-Reversed Addressing should not be enabled together. If an application attempts to do so, Bit-Reversed Addressing will assume priority when active for the X WAGU and X WAGU; Modulo Addressing will be disabled. However, Modulo Addressing will continue to function in the X RAGU.

If Bit-Reversed Addressing has already been enabled by setting the BREN (XBREV<15>) bit, a write to the XBREV register should not be immediately followed by an indirect read operation using the W register that has been designated as the Bit-Reversed Pointer.

FIGURE 4-7: BIT-REVERSED ADDRESS EXAMPLE

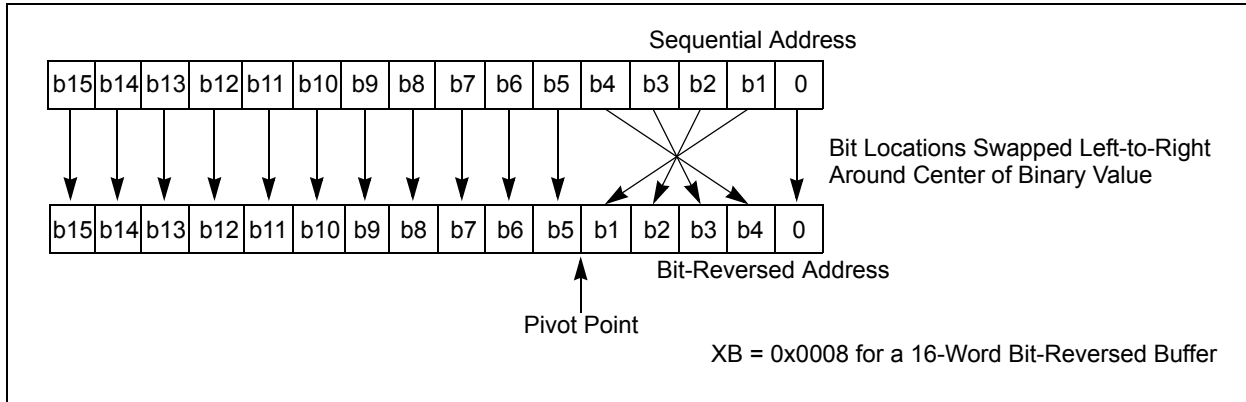


TABLE 4-40: BIT-REVERSED ADDRESS SEQUENCE (16-ENTRY)

| Normal Address |    |    |    |         | Bit-Reversed Address |    |    |    |         |
|----------------|----|----|----|---------|----------------------|----|----|----|---------|
| A3             | A2 | A1 | A0 | Decimal | A3                   | A2 | A1 | A0 | Decimal |
| 0              | 0  | 0  | 0  | 0       | 0                    | 0  | 0  | 0  | 0       |
| 0              | 0  | 0  | 1  | 1       | 1                    | 0  | 0  | 0  | 8       |
| 0              | 0  | 1  | 0  | 2       | 0                    | 1  | 0  | 0  | 4       |
| 0              | 0  | 1  | 1  | 3       | 1                    | 1  | 0  | 0  | 12      |
| 0              | 1  | 0  | 0  | 4       | 0                    | 0  | 1  | 0  | 2       |
| 0              | 1  | 0  | 1  | 5       | 1                    | 0  | 1  | 0  | 10      |
| 0              | 1  | 1  | 0  | 6       | 0                    | 1  | 1  | 0  | 6       |
| 0              | 1  | 1  | 1  | 7       | 1                    | 1  | 1  | 0  | 14      |
| 1              | 0  | 0  | 0  | 8       | 0                    | 0  | 0  | 1  | 1       |
| 1              | 0  | 0  | 1  | 9       | 1                    | 0  | 0  | 1  | 9       |
| 1              | 0  | 1  | 0  | 10      | 0                    | 1  | 0  | 1  | 5       |
| 1              | 0  | 1  | 1  | 11      | 1                    | 1  | 0  | 1  | 13      |
| 1              | 1  | 0  | 0  | 12      | 0                    | 0  | 1  | 1  | 3       |
| 1              | 1  | 0  | 1  | 13      | 1                    | 0  | 1  | 1  | 11      |
| 1              | 1  | 1  | 0  | 14      | 0                    | 1  | 1  | 1  | 7       |
| 1              | 1  | 1  | 1  | 15      | 1                    | 1  | 1  | 1  | 15      |

**4.7 Interfacing Program and Data Memory Spaces**

The device architecture uses a 24-bit wide program space and a 16-bit wide data space. The architecture is also a modified Harvard scheme, meaning that data can also be present in the program space. To use this data successfully, it must be accessed in a way that preserves the alignment of information in both spaces.

Aside from normal execution, the device architecture provides two methods by which program space can be accessed during operation:

- Using table instructions to access individual bytes or words anywhere in the program space
- Remapping a portion of the program space into the data space (Program Space Visibility)

Table instructions allow an application to read or write to small areas of the program memory. This capability makes the method ideal for accessing data tables that need to be updated periodically. It also allows access to all bytes of the program word. The remapping method allows an application to access a large block of data on a read-only basis, which is ideal for look ups from a large table of static data. The application can only access the least significant word of the program word.

**4.7.1 ADDRESSING PROGRAM SPACE**

Since the address ranges for the data and program spaces are 16 and 24 bits, respectively, a method is needed to create a 23-bit or 24-bit program address from 16-bit data registers. The solution depends on the interface method to be used.

For table operations, the 8-bit Table Page register (TBLPAG) is used to define a 32K word region within the program space. This is concatenated with a 16-bit EA to arrive at a full 24-bit program space address. In this format, the Most Significant bit of TBLPAG is used to determine if the operation occurs in the user memory (TBLPAG<7> = 0) or the configuration memory (TBLPAG<7> = 1).

For remapping operations, the 8-bit Program Space Visibility Register (PSVPAG) is used to define a 16K word page in the program space. When the Most Significant bit of the EA is '1', PSVPAG is concatenated with the lower 15 bits of the EA to form a 23-bit program space address. Unlike table operations, this limits remapping operations strictly to the user memory area.

Table 4-41 and Figure 4-8 show how the program EA is created for table operations and remapping accesses from the data EA. Here, P<23:0> refers to a program space word, and D<15:0> refers to a data space word.

**TABLE 4-41: PROGRAM SPACE ADDRESS CONSTRUCTION**

| Access Type                                    | Access Space  | Program Space Address         |                              |               |                              |     |
|--|---------------|-------------------------------|------------------------------|---------------|------------------------------|-----|
|  |               | <23>                          | <22:16>                      | <15>          | <14:1>                       | <0> |
| Instruction Access<br>(Code Execution)         | User          | 0                             | PC<22:1>                     |               |                              | 0   |
|  |               | 0xx xxxx xxxx xxxx xxxx xxx0  |                              |               |                              |     |
| TBLRD/TBLWT<br>(Byte/Word Read/Write)          | User          | TBLPAG<7:0>                   |                              | Data EA<15:0> |                              |     |
|  |               | 0xxx xxxx xxxx xxxx xxxx xxxx |                              |               |                              |     |
|  | Configuration | TBLPAG<7:0>                   |                              | Data EA<15:0> |                              |     |
|  |               | 1xxx xxxx xxxx xxxx xxxx xxxx |                              |               |                              |     |
| Program Space Visibility<br>(Block Remap/Read) | User          | 0                             | PSVPAG<7:0>                  |               | Data EA<14:0> <sup>(1)</sup> |     |
|  |               | 0                             | xxxx xxxx xxx xxxx xxxx xxxx |               |                              |     |

**Note 1:** Data EA<15> is always '1' in this case, but is not used in calculating the program space address. Bit 15 of the address is PSVPAG<0>.

FIGURE 4-8: DATA ACCESS FROM PROGRAM SPACE ADDRESS GENERATION





4.7.2 DATA ACCESS FROM PROGRAM MEMORY USING TABLE INSTRUCTIONS

The `TBLRDH` and `TBLWTL` instructions offer a direct method of reading or writing the lower word of any address within the program space without going through data space. The `TBLRDH` and `TBLWTH` instructions are the only method to read or write the upper 8 bits of a program space word as data.

The PC is incremented by two for each successive 24-bit program word. This allows program memory addresses to directly map to data space addresses. Program memory can thus be regarded as two 16-bit wide word address spaces, residing side by side, each with the same address range. `TBLRDH` and `TBLWTH` access the space that contains the least significant data word. `TBLRDH` and `TBLWTH` access the space that contains the upper data byte.

Two table instructions are provided to move byte or word-sized (16-bit) data to and from program space. Both function as either byte or word operations.

- `TBLRDH` (Table Read High):
  - In Word mode, this instruction maps the entire upper word of a program address ( $P<23:16>$ ) to a data address. Note that  $D<15:8>$ , the 'phantom byte', will always be '0'.
  - In Byte mode, this instruction maps the upper or lower byte of the program word to  $D<7:0>$  of the data address, in the `TBLRDH` instruction. The data is always '0' when the upper 'phantom' byte is selected (Byte Select = 1).

- In Byte mode, either the upper or lower byte of the lower program word is mapped to the lower byte of a data address. The upper byte is selected when byte select is '1'; the lower byte is selected when it is '0'.

- `TBLRDH` (Table Read High):
  - In Word mode, this instruction maps the entire upper word of a program address ( $P<23:16>$ ) to a data address. Note that  $D<15:8>$ , the 'phantom byte', will always be '0'.
  - In Byte mode, this instruction maps the upper or lower byte of the program word to  $D<7:0>$  of the data address, in the `TBLRDH` instruction. The data is always '0' when the upper 'phantom' byte is selected (Byte Select = 1).

Similarly, two table instructions, `TBLWTH` and `TBLWTL`, are used to write individual bytes or words to a program space address. The details of their operation are explained in [Section 5.0 "Flash Program Memory"](#).

For all table operations, the area of program memory space to be accessed is determined by the Table Page register (`TBLPAG`). `TBLPAG` covers the entire program memory space of the device, including user and configuration spaces. When  $TBLPAG<7> = 0$ , the table page is located in the user memory space. When  $TBLPAG<7> = 1$ , the page is located in configuration space.

FIGURE 4-9: ACCESSING PROGRAM MEMORY WITH TABLE INSTRUCTIONS



4.7.3 READING DATA FROM PROGRAM MEMORY USING PROGRAM SPACE VISIBILITY

The upper 32 Kbytes of data space may optionally be mapped into any 16K word page of the program space. This option provides transparent access to stored constant data from the data space without the need to use special instructions (such as `TBLRDL` or `TBLRDH`).

Program space access through the data space occurs if the Most Significant bit of the data space EA is '1' and program space visibility is enabled by setting the PSV bit in the Core Control register (`CORCON<2>`). The location of the program memory space to be mapped into the data space is determined by the Program Space Visibility Page register (`PSVPAG`). This 8-bit register defines any one of 256 possible pages of 16K words in program space. In effect, `PSVPAG` functions as the upper 8 bits of the program memory address, with the 15 bits of the EA functioning as the lower bits. By incrementing the PC by 2 for each program memory word, the lower 15 bits of data space addresses directly map to the lower 15 bits in the corresponding program space addresses.

Data reads to this area add a cycle to the instruction being executed, since two program memory fetches are required.

Although each data space address `0x8000` and higher maps directly into a corresponding program memory address (see [Figure 4-10](#)), only the lower 16 bits of the 24-bit program word are used to contain the data. The upper 8 bits of any program space location used as data should be programmed with '1111 1111' or '0000 0000' to force a `NOB`. This prevents possible issues should the area of code ever be accidentally executed.

**Note:** PSV access is temporarily disabled during table reads/writes.

For operations that use PSV and are executed outside a `REPEAT` loop, the `MOV` and `MOV.D` instructions require one instruction cycle in addition to the specified execution time. All other instructions require two instruction cycles in addition to the specified execution time.

For operations that use PSV, and are executed inside a `REPEAT` loop, these instances require two instruction cycles in addition to the specified execution time of the instruction:

- Execution in the first iteration
- Execution in the last iteration
- Execution prior to exiting the loop due to an interrupt
- Execution upon re-entering the loop after an interrupt is serviced

Any other iteration of the `REPEAT` loop will allow the instruction using PSV to access data, to execute in a single cycle.

FIGURE 4-10: PROGRAM SPACE VISIBILITY OPERATION



## 5.0 FLASH PROGRAM MEMORY

**Note 1:** This data sheet summarizes the features of the dsPIC33FJ06GS001/101A/102A/202A and dsPIC33FJ09GS302 families of devices. It is not intended to be a comprehensive reference source. To complement the information in this data sheet, refer to **Section 5. “Flash Programming”** (DS70191) in the “dsPIC33F/PIC24H Family Reference Manual”, which is available from the Microchip web site ([www.microchip.com](http://www.microchip.com)).

**2:** Some registers and associated bits described in this section may not be available on all devices. Refer to **Section 4.0 “Memory Organization”** in this data sheet for device-specific register and bit information.

These devices contain internal Flash program memory for storing and executing application code. The memory is readable, writable and erasable during normal operation over the entire VDD range.

Flash memory can be programmed in two ways:

- In-Circuit Serial Programming™ (ICSP™) programming capability
- Run-Time Self-Programming (RTSP)

ICSP allows a dsPIC33FJ06GS001/101A/102A/202A and dsPIC33FJ09GS302 device to be serially programmed while in the end application circuit. This is done with two lines for programming clock and programming data (one of the alternate programming

pin pairs: PGECx/PGEDx), and three other lines for power (VDD), ground (VSS) and Master Clear (MCLR). This allows customers to manufacture boards with unprogrammed devices and then program the digital signal controller just before shipping the product. This also allows the most recent firmware or a custom firmware to be programmed.

RTSP is accomplished using TBLRD (table read) and TBLWT (table write) instructions. With RTSP, the user application can write a single program memory word at a time, and erase program memory in blocks or ‘pages’ of 512 instructions (1536 bytes) at a time.

### 5.1 Table Instructions and Flash Programming

Regardless of the method used, all programming of Flash memory is done with the table read and table write instructions. These allow direct read and write access to the program memory space from the data memory while the device is in normal operating mode. The 24-bit target address in the program memory is formed using bits<7:0> of the TBLPAG register and the Effective Address (EA) from a W register specified in the table instruction, as shown in [Figure 5-1](#).

The TBLRDL and the TBLWTL instructions are used to read or write to bits<15:0> of program memory. TBLRDL and TBLWTL can access program memory in both Word and Byte modes.

The TBLRDH and TBLWTH instructions are used to read or write to bits<23:16> of program memory. TBLRDH and TBLWTH can also access program memory in Word or Byte mode.

**FIGURE 5-1: ADDRESSING FOR TABLE REGISTERS**



## 5.2 RTSP Operation

The dsPIC33FJ06GS001/101A/102A/202A and dsPIC33FJ09GS302 Flash program memory array is organized into rows of 64 instructions or 192 bytes. RTSP allows the user application to erase a page of memory, which consists of eight rows (512 instructions) at a time, and to program one row or one word at a time. [Table 25-12](#) shows typical erase and programming times. The 8-row erase pages and single row write rows are edge-aligned from the beginning of program memory, on boundaries of 1536 bytes and 192 bytes, respectively.

The program memory implements holding buffers that can contain 64 instructions of programming data. Prior to the actual programming operation, the write data must be loaded into the buffers sequentially. The instruction words loaded must always be from a group of 64 boundary.

The basic sequence for RTSP programming is to set up a Table Pointer, then do a series of TBLWT instructions to load the buffers. Programming is performed by setting the control bits in the NVMCON register. A total of 64 TBLWTL and TBLWTH instructions are required to load the instructions.

All of the table write operations are single-word writes (two instruction cycles) because only the buffers are written. A programming cycle is required for programming each row.

## 5.3 Programming Operations

A complete programming sequence is necessary for programming or erasing the internal Flash in RTSP mode. The processor stalls (waits) until the programming operation is finished.

The programming time depends on the FRC accuracy (see [Table 25-19](#)) and the value of the FRC Oscillator Tuning register (see [Register 8-4](#)). Use the following formula to calculate the minimum and maximum values for the Row Write Time, Page Erase Time and Word Write Cycle Time parameters (see [Table 25-12](#)).

**EQUATION 5-1: PROGRAMMING TIME**

$$T = \frac{168517 \text{ Cycles}}{7.37 \text{ MHz} \times (\text{FRC Accuracy})\% \times (\text{FRC Tuning})\%}$$

For example, if the device is operating at +125°C, the FRC accuracy will be ±5%. If the TUN<5:0> bits (see [Register 8-4](#)) are set to 'b1111111, the minimum row write time is equal to [Equation 5-2](#).

**EQUATION 5-2: MINIMUM PAGE ERASE TIME**

$$T_{RW} = \frac{168517 \text{ Cycles}}{7.37 \text{ MHz} \times (1 + 0.05) \times (1 - 0.00375)} = 21.85 \text{ ms}$$

The maximum row write time is equal to [Equation 5-3](#).

**EQUATION 5-3: MAXIMUM PAGE ERASE TIME**

$$T_{RW} = \frac{168517 \text{ Cycles}}{7.37 \text{ MHz} \times (1 - 0.05) \times (1 - 0.00375)} = 24.16 \text{ ms}$$

Setting the WR bit (NVMCON<15>) starts the operation, and the WR bit is automatically cleared when the operation is finished.

## 5.4 Control Registers

Two SFRs are used to read and write the program Flash memory: NVMCON and NVMKEY.

The NVMCON register ([Register 5-1](#)) controls which blocks are to be erased, which memory type is to be programmed and the start of the programming cycle.

NVMKEY is a write-only register that is used for write protection. To start a programming or erase sequence, the user application must consecutively write 0x55 and 0xAA to the NVMKEY register. Refer to [Section 5.3 “Programming Operations”](#) for further details.

**5.5 Flash Memory Control Registers**

**REGISTER 5-1: NVMCON: FLASH MEMORY CONTROL REGISTER**

|                   |                     |                      |     |     |     |     |       |
|-------------------|---------------------|----------------------|-----|-----|-----|-----|-------|
| R/SO-0            | R/W-0               | R/W-0                | U-0 | U-0 | U-0 | U-0 | U-0   |
| WR <sup>(1)</sup> | WREN <sup>(1)</sup> | WRERR <sup>(1)</sup> | —   | —   | —   | —   | —     |
| bit 15            |                     |                      |     |     |     |     | bit 8 |

|       |                      |     |     |                             |       |       |       |
|-------|----------------------|-----|-----|-----------------------------|-------|-------|-------|
| U-0   | R/W-0                | U-0 | U-0 | R/W-0                       | R/W-0 | R/W-0 | R/W-0 |
| —     | ERASE <sup>(1)</sup> | —   | —   | NVMOP<3:0> <sup>(1,2)</sup> |       |       |       |
| bit 7 |                      |     |     |                             |       |       | bit 0 |

|                   |  |
|-------------------|--|
| <b>Legend:</b>    | SO = Settable Only bit   |
| R = Readable bit  | W = Writable bit      U = Unimplemented bit, read as '0'           |
| -n = Value at POR | '1' = Bit is set      '0' = Bit is cleared      x = Bit is unknown |

- bit 15      **WR:** Write Control bit<sup>(1)</sup>  
 1 = Initiates a Flash memory program or erase operation. The operation is self-timed and the bit is cleared by hardware once operation is complete. This bit can only be set (not cleared) in software.  
 0 = Program or erase operation is complete and inactive
- bit 14      **WREN:** Write Enable bit<sup>(1)</sup>  
 1 = Enables Flash program/erase operations  
 0 = Inhibits Flash program/erase operations
- bit 13      **WRERR:** Write Sequence Error Flag bit<sup>(1)</sup>  
 1 = An improper program or erase sequence attempt or termination has occurred (bit is set automatically on any set attempt of the WR bit)  
 0 = The program or erase operation completed normally
- bit 12-7    **Unimplemented:** Read as '0'
- bit 6      **ERASE:** Erase/Program Enable bit<sup>(1)</sup>  
 1 = Performs the erase operation specified by NVMOP<3:0> on the next WR command  
 0 = Performs the program operation specified by NVMOP<3:0> on the next WR command
- bit 5-4    **Unimplemented:** Read as '0'
- bit 3-0    **NVMOP<3:0>:** NVM Operation Select bits<sup>(1,2)</sup>  
 If ERASE = 1:  
 1111 = No operation  
 1101 = Erase general segment  
 0011 = No operation  
 0010 = Memory page erase operation  
 0001 = Reserved  
 0000 = Reserved  
  
 If ERASE = 0:  
 1111 = No operation  
 1101 = No operation  
 0011 = Memory word program operation  
 0010 = No operation  
 0001 = Reserved  
 0000 = Reserved

**Note 1:** These bits can only be reset on a Power-on Reset (POR).  
**Note 2:** All other combinations of NVMOP<3:0> are unimplemented.

# dsPIC33FJ06GS001/101A/102A/202A and dsPIC33FJ09GS302

## REGISTER 5-2: NVMKEY: NONVOLATILE MEMORY KEY REGISTER

|        |     |     |     |     |     |     |       |
|--------|-----|-----|-----|-----|-----|-----|-------|
| U-0    | U-0 | U-0 | U-0 | U-0 | U-0 | U-0 | U-0   |
| —      | —   | —   | —   | —   | —   | —   | —     |
| bit 15 |     |     |     |     |     |     | bit 8 |

|             |     |     |     |     |     |     |       |
|-------------|-----|-----|-----|-----|-----|-----|-------|
| W-0         | W-0 | W-0 | W-0 | W-0 | W-0 | W-0 | W-0   |
| NVMKEY<7:0> |     |     |     |     |     |     |       |
| bit 7       |     |     |     |     |     |     | bit 0 |

**Legend:**

|                   |                  |                                    |
|-------------------|------------------|------------------------------------|
| R = Readable bit  | W = Writable bit | U = Unimplemented bit, read as '0' |
| -n = Value at POR | '1' = Bit is set | '0' = Bit is cleared               |
|                   |                  | x = Bit is unknown                 |

bit 15-8      **Unimplemented:** Read as '0'

bit 7-0      **NVMKEY<7:0>:** Key Register bits (write-only)

6.0 RESETS

**Note 1:** This data sheet summarizes the features of the dsPIC33FJ06GS001/101A/102A/202A and dsPIC33FJ09GS302 families of devices. It is not intended to be a comprehensive reference source. To complement the information in this data sheet, refer to **Section 8. “Reset”** (DS70192) in the “dsPIC33F/PIC24H Family Reference Manual”, which is available from the Microchip web site ([www.microchip.com](http://www.microchip.com)).

**2:** Some registers and associated bits described in this section may not be available on all devices. Refer to **Section 4.0 “Memory Organization”** in this data sheet for device-specific register and bit information.

The Reset module combines all Reset sources and controls the device Master Reset Signal,  $\overline{\text{SYSRST}}$ . The following is a list of device Reset sources:

- POR: Power-on Reset
- BOR: Brown-out Reset
- MCLR: Master Clear Pin Reset
- SWR: Software RESET Instruction
- WDTO: Watchdog Timer Reset
- CM: Configuration Mismatch Reset
- TRAPR: Trap Conflict Reset
- IOPUWR: Illegal Condition Device Reset
  - Illegal Opcode Reset
  - Uninitialized W Register Reset
  - Security Reset

A simplified block diagram of the Reset module is shown in [Figure 6-1](#).

Any active source of Reset will make the  $\overline{\text{SYSRST}}$  signal active. On system Reset, some of the registers associated with the CPU and peripherals are forced to a known Reset state, and some are unaffected.

**Note:** Refer to the specific peripheral section or **Section 3.0 “CPU”** of this data sheet for register Reset states.

All types of device Reset sets a corresponding status bit in the RCON register to indicate the type of Reset (see [Register 6-1](#)).

A POR clears all the bits (except for the POR (RCON<0> bit) that are set. The user application can set or clear any bit, at any time, during code execution. The RCON bits only serve as status bits. Setting a particular Reset status bit in software does not cause a device Reset to occur.

The RCON register also has other bits associated with the Watchdog Timer and device power-saving states. The function of these bits is discussed in other sections of this manual.

**Note:** The status bits in the RCON register should be cleared after they are read so that the next RCON register value after a device Reset is meaningful.

FIGURE 6-1: RESET SYSTEM BLOCK DIAGRAM



# dsPIC33FJ06GS001/101A/102A/202A and dsPIC33FJ09GS302

## 6.1 Reset Control Register

### REGISTER 6-1: RCON: RESET CONTROL REGISTER<sup>(1)</sup>

|        |        |     |     |     |     |       |       |
|--------|--------|-----|-----|-----|-----|-------|-------|
| R/W-0  | R/W-0  | U-0 | U-0 | U-0 | U-0 | R/W-0 | R/W-0 |
| TRAPR  | IOPUWR | —   | —   | —   | —   | CM    | VREGS |
| bit 15 |        |     |     |     |     |       | bit 8 |

|       |       |                       |       |       |       |       |       |
|-------|-------|-----------------------|-------|-------|-------|-------|-------|
| R/W-0 | R/W-0 | R/W-0                 | R/W-0 | R/W-0 | R/W-0 | R/W-1 | R/W-1 |
| EXTR  | SWR   | SWDTEN <sup>(2)</sup> | WDTO  | SLEEP | IDLE  | BOR   | POR   |
| bit 7 |       |                       |       |       |       |       | bit 0 |

#### Legend:

|                   |                  |                                    |
|-------------------|------------------|------------------------------------|
| R = Readable bit  | W = Writable bit | U = Unimplemented bit, read as '0' |
| -n = Value at POR | '1' = Bit is set | '0' = Bit is cleared               |
|                   |                  | x = Bit is unknown                 |

- bit 15      **TRAPR:** Trap Reset Flag bit  
 1 = A Trap Conflict Reset has occurred  
 0 = A Trap Conflict Reset has not occurred
- bit 14      **IOPUWR:** Illegal Opcode or Uninitialized W Access Reset Flag bit  
 1 = An illegal opcode detection, an illegal address mode or uninitialized W register used as an Address Pointer caused a Reset  
 0 = An illegal opcode or uninitialized W Reset has not occurred
- bit 13-10   **Unimplemented:** Read as '0'
- bit 9        **CM:** Configuration Mismatch Flag bit  
 1 = A Configuration Mismatch Reset has occurred  
 0 = A Configuration Mismatch Reset has NOT occurred
- bit 8        **VREGS:** Voltage Regulator Standby During Sleep bit  
 1 = Voltage regulator is active during Sleep  
 0 = Voltage regulator goes into Standby mode during Sleep
- bit 7        **EXTR:** External Reset Pin ( $\overline{\text{MCLR}}$ ) bit  
 1 = A Master Clear (pin) Reset has occurred  
 0 = A Master Clear (pin) Reset has not occurred
- bit 6        **SWR:** Software Reset Flag (Instruction) bit  
 1 = A RESET instruction has been executed  
 0 = A RESET instruction has not been executed
- bit 5        **SWDTEN:** Software Enable/Disable of WDT bit<sup>(2)</sup>  
 1 = WDT is enabled  
 0 = WDT is disabled
- bit 4        **WDTO:** Watchdog Timer Time-out Flag bit  
 1 = WDT time-out has occurred  
 0 = WDT time-out has not occurred
- bit 3        **SLEEP:** Wake-up from Sleep Flag bit  
 1 = Device has been in Sleep mode  
 0 = Device has not been in Sleep mode
- bit 2        **IDLE:** Wake-up from Idle Flag bit  
 1 = Device was in Idle mode  
 0 = Device was not in Idle mode

**Note 1:** All of the Reset status bits can be set or cleared in software. Setting one of these bits in software does not cause a device Reset.

**2:** If the FWDTEN Configuration bit is '1' (unprogrammed), the WDT is always enabled, regardless of the SWDTEN bit setting.



## REGISTER 6-1: RCON: RESET CONTROL REGISTER<sup>(1)</sup> (CONTINUED)

- bit 1      **BOR:** Brown-out Reset Flag bit  
            1 = A Brown-out Reset has occurred  
            0 = A Brown-out Reset has not occurred
- bit 0      **POR:** Power-on Reset Flag bit  
            1 = A Power-on Reset has occurred  
            0 = A Power-on Reset has not occurred

- Note 1:** All of the Reset status bits can be set or cleared in software. Setting one of these bits in software does not cause a device Reset.
- 2:** If the FWDTEN Configuration bit is '1' (unprogrammed), the WDT is always enabled, regardless of the SWDTEN bit setting.

## 6.2 System Reset

There are two types of Reset:

- Cold Reset
- Warm Reset

A cold Reset is the result of a Power-on Reset (POR) or a Brown-out Reset (BOR). On a cold Reset, the FNOSC Configuration bits in the FOSC Configuration register select the device clock source.

A warm Reset is the result of all the other Reset sources, including the `RESET` instruction. On warm Reset, the device will continue to operate from the current clock source, as indicated by the Current Oscillator Selection bits (COS<2:0>) in the Oscillator Control register (OSCCON<14:12>).

The device is kept in a Reset state until the system power supplies have stabilized at appropriate levels and the oscillator clock is ready. The sequence in which this occurs is provided in [Figure 6-2](#).

**TABLE 6-1: OSCILLATOR DELAY**

| Oscillator Mode        | Oscillator Start-up Delay        | Oscillator Start-up Timer       | PLL Lock Time                    | Total Delay   |
|------------------------|----------------------------------|---------------------------------|----------------------------------|---|
| FRC, FRCDIV16, FRCDIVN | T <sub>OSCD</sub> <sup>(1)</sup> | —                               | —                                | T <sub>OSCD</sub> <sup>(1)</sup>  |
| FRCPLL                 | T <sub>OSCD</sub> <sup>(1)</sup> | —                               | T <sub>LOCK</sub> <sup>(3)</sup> | T <sub>OSCD</sub> + T <sub>LOCK</sub> <sup>(1,3)</sup>                      |
| XT                     | T <sub>OSCD</sub> <sup>(1)</sup> | T <sub>OST</sub> <sup>(2)</sup> | —                                | T <sub>OSCD</sub> + T <sub>OST</sub> <sup>(1,2)</sup>                       |
| HS                     | T <sub>OSCD</sub> <sup>(1)</sup> | T <sub>OST</sub> <sup>(2)</sup> | —                                | T <sub>OSCD</sub> + T <sub>OST</sub> <sup>(1,2)</sup>                       |
| EC                     | —                                | —                               | —                                | —   |
| XTPLL                  | T <sub>OSCD</sub> <sup>(1)</sup> | T <sub>OST</sub> <sup>(2)</sup> | T <sub>LOCK</sub> <sup>(3)</sup> | T <sub>OSCD</sub> + T <sub>OST</sub> + T <sub>LOCK</sub> <sup>(1,2,3)</sup> |
| HSPLL                  | T <sub>OSCD</sub> <sup>(1)</sup> | T <sub>OST</sub> <sup>(2)</sup> | T <sub>LOCK</sub> <sup>(3)</sup> | T <sub>OSCD</sub> + T <sub>OST</sub> + T <sub>LOCK</sub> <sup>(1,2,3)</sup> |
| ECPLL                  | —                                | —                               | T <sub>LOCK</sub> <sup>(3)</sup> | T <sub>LOCK</sub> <sup>(3)</sup>  |
| LPRC                   | T <sub>OSCD</sub> <sup>(1)</sup> | —                               | —                                | T <sub>OSCD</sub> <sup>(1)</sup>  |

**Note 1:** T<sub>OSCD</sub> = Oscillator start-up delay (1.1 μs max. for FRC, 70 μs max. for LPRC). Crystal oscillator start-up times vary with crystal characteristics, load capacitance, etc.

**2:** T<sub>OST</sub> = Oscillator Start-up Timer (OST) delay (1024 oscillator clock period). For example, T<sub>OST</sub> = 102.4 μs for a 10 MHz crystal and T<sub>OST</sub> = 32 ms for a 32 kHz crystal.

**3:** T<sub>LOCK</sub> = PLL lock time (1.5 ms nominal) if PLL is enabled.

FIGURE 6-2: SYSTEM RESET TIMING



- Note** 1: **POR:** A POR circuit holds the device in Reset when the power supply is turned on. The POR circuit is active until VDD crosses the VPOR threshold and the delay, TPOR, has elapsed.
- 2: **BOR:** The on-chip voltage regulator has a BOR circuit that keeps the device in Reset until VDD crosses the VBOR threshold and the delay, TBOR, has elapsed. The delay, TBOR, ensures the voltage regulator output becomes stable.
- 3: **PWRT Timer:** The programmable Power-up Timer continues to hold the processor in Reset for a specific period of time (TPWRT) after a BOR. The delay, TPWRT, ensures that the system power supplies have stabilized at the appropriate level for full-speed operation. After the delay, TPWRT has elapsed and the SYSRST becomes inactive, which in turn, enables the selected oscillator to start generating clock cycles.
- 4: **Oscillator Delay:** The total delay for the clock to be ready for various clock source selections is given in [Table 6-1](#). Refer to [Section 8.0 "Oscillator Configuration"](#) for more information.
- 5: When the oscillator clock is ready, the processor begins execution from location, 0x000000. The user application programs a GOTO instruction at the Reset address, which redirects program execution to the appropriate start-up routine.
- 6: If the Fail-Safe Clock Monitor (FSCM) is enabled, it begins to monitor the system clock when the system clock is ready and the delay, TFSCM, has elapsed.

TABLE 6-2: OSCILLATOR PARAMETERS

| Symbol | Parameter                        | Value            |
|--------|----------------------------------|------------------|
| VPOR   | POR threshold                    | 1.8V nominal     |
| TPOR   | POR extension time               | 30 μs maximum    |
| VBOR   | BOR threshold                    | 2.65V nominal    |
| TBOR   | BOR extension time               | 100 μs maximum   |
| TPWRT  | Programmable Power-up Time delay | 0-128 ms nominal |
| TFSCM  | Fail-Safe Clock Monitor delay    | 900 μs maximum   |

**Note:** When the device exits the Reset condition (begins normal operation), the device operating parameters (voltage, frequency, temperature, etc.) must be within their operating ranges; otherwise, the device may not function correctly. The user application must ensure that the delay between the time power is first applied, and the time SYSRST becomes inactive, is long enough to get all operating parameters within the specification.

**6.3 Power-on Reset (POR)**

A Power-on Reset (POR) circuit ensures the device is reset from power-on. The POR circuit is active until VDD crosses the VPOR threshold and the delay, TPOR, has elapsed. The delay, TPOR, ensures the internal device bias circuits become stable.

The device supply voltage characteristics must meet the specified starting voltage and rise rate requirements to generate the POR. Refer to [Section 25.0 “Electrical Characteristics”](#) for details.

The POR status (POR) bit in the Reset Control (RCON<0>) register is set to indicate the Power-on Reset.

**6.4 Brown-out Reset (BOR) and Power-up Timer (PWRT)**

The on-chip regulator has a Brown-out Reset (BOR) circuit that resets the device when the VDD is too low ( $VDD < V_{BOR}$ ) for proper device operation. The BOR circuit keeps the device in Reset until VDD crosses the VBOR threshold and the delay, TBOR, has elapsed. The delay, TBOR, ensures the voltage regulator output becomes stable.

The BOR status bit in the Reset Control (RCON<1>) register is set to indicate the Brown-out Reset.

The device will not run at full speed after a BOR, as the VDD should rise to acceptable levels for full-speed operation. The PWRT provides a Power-up Time Delay (TPWRT) to ensure that the system power supplies have stabilized at the appropriate levels for full-speed operation before the SYSRST is released.

[Figure 6-3](#) shows the typical brown-out scenarios. The Reset delay (TBOR + TPWRT) is initiated each time VDD rises above the VBOR trip point.

**FIGURE 6-3: BROWN-OUT SITUATIONS**



## 6.5 External Reset (EXTR)

The external Reset is generated by driving the MCLR pin low. The MCLR pin is a Schmitt trigger input with an additional glitch filter. Reset pulses that are longer than the minimum pulse width will generate a Reset. Refer to [Section 25.0 “Electrical Characteristics”](#) for minimum pulse width specifications. The external Reset (MCLR) pin (EXTR) bit in the Reset Control (RCON) register is set to indicate the MCLR Reset.

### 6.5.1 EXTERNAL SUPERVISORY CIRCUIT

Many systems have external supervisory circuits that generate Reset signals to reset multiple devices in the system. This external Reset signal can be directly connected to the MCLR pin to reset the device when the rest of the system is reset.

### 6.5.2 INTERNAL SUPERVISORY CIRCUIT

When using the internal power supervisory circuit to reset the device, the external Reset pin (MCLR) should be tied directly or resistively to VDD. In this case, the MCLR pin will not be used to generate a Reset. The external Reset pin (MCLR) does not have an internal pull-up and must not be left unconnected.

## 6.6 Software RESET Instruction (SWR)

Whenever the RESET instruction is executed, the device will assert SYSRST, placing the device in a special Reset state. This Reset state will not re-initialize the clock. The clock source in effect prior to the RESET instruction will still remain. SYSRST is released at the next instruction cycle and the Reset vector fetch will commence.

The Software Reset (SWR) flag (instruction) in the Reset Control register (RCON<6>) is set to indicate the software Reset.

## 6.7 Watchdog Time-out Reset (WDTO)

Whenever a Watchdog Timer time-out occurs, the device will asynchronously assert SYSRST. The clock source will remain unchanged. A WDT time-out during Sleep or Idle mode will wake-up the processor, but will not reset the processor.

The Watchdog Timer Time-out (WDTO) flag in the Reset Control (RCON<4>) register is set to indicate the Watchdog Timer Reset. Refer to [Section 22.4 “Watchdog Timer \(WDT\)”](#) for more information on Watchdog Reset.

## 6.8 Trap Conflict Reset

If a lower priority hard trap occurs, while a higher priority trap is being processed, a hard Trap Conflict Reset occurs. The hard traps include exceptions of Priority Level 13 through Level 15, inclusive. The address error (Level 13) and oscillator error (Level 14) traps fall into this category.

The Trap Reset (TRAPR) flag in the Reset Control register (RCON<15>) is set to indicate the Trap Conflict Reset. Refer to [Section 7.0 “Interrupt Controller”](#) for more information on Trap Conflict Resets.

## 6.9 Illegal Condition Device Reset

An illegal condition device Reset occurs due to the following sources:

- Illegal Opcode Reset
- Uninitialized W Register Reset
- Security Reset

The illegal opcode or Uninitialized W Access Reset (IOPUWR) flag in the Reset Control register (RCON<14>) is set to indicate the illegal condition device Reset.

### 6.9.1 ILLEGAL OPCODE RESET

A device Reset is generated if the device attempts to execute an illegal opcode value that is fetched from program memory.

The Illegal Opcode Reset function can prevent the device from executing program memory sections that are used to store constant data. To take advantage of the Illegal Opcode Reset, use only the lower 16 bits of each program memory section to store the data values. The upper 8 bits should be programmed with 0x3F, which is an illegal opcode value.

### 6.9.2 UNINITIALIZED W REGISTER RESET

Any attempt to use the uninitialized W register as an Address Pointer will Reset the device. The W register array (with the exception of W15) is cleared during all Resets and is considered uninitialized until written to.

# dsPIC33FJ06GS001/101A/102A/202A and dsPIC33FJ09GS302

## 6.10 Using the RCON Status Bits

The user application can read the Reset Control (RCON) register after any device Reset to determine the cause of the Reset.

Table 6-3 provides a summary of the Reset flag bit operation.

**Note:** The status bits in the RCON register should be cleared after they are read so that the next RCON register value, after a device Reset, will be meaningful.

**TABLE 6-3: RESET FLAG BIT OPERATION**

| Flag Bit         | Set by:   | Cleared by:                                     |
|------------------|---|---|
| TRAPR (RCON<15>) | Trap conflict event   | POR, BOR  |
| IOPWR (RCON<14>) | Illegal opcode or uninitialized W register access or Security Reset | POR, BOR  |
| CM (RCON<9>)     | Configuration Mismatch  | POR, BOR  |
| EXTR (RCON<7>)   | MCLR Reset  | POR   |
| SWR (RCON<6>)    | RESET instruction   | POR, BOR  |
| WDTO (RCON<4>)   | WDT time-out  | PWRSV instruction, CLRWDT instruction, POR, BOR |
| SLEEP (RCON<3>)  | PWRSV #SLEEP instruction  | POR, BOR  |
| IDLE (RCON<2>)   | PWRSV #IDLE instruction   | POR, BOR  |
| BOR (RCON<1>)    | POR, BOR  | —   |
| POR (RCON<0>)    | POR   | —   |

**Note:** All Reset flag bits can be set or cleared by user software.

## 7.0 INTERRUPT CONTROLLER

**Note 1:** This data sheet summarizes the features of the dsPIC33FJ06GS001/101A/102A/202A and dsPIC33FJ09GS302 families of devices. It is not intended to be a comprehensive reference source. To complement the information in this data sheet, refer to **Section 41. “Interrupts (Part IV)”** (DS70300) in the “*dsPIC33F/PIC24H Family Reference Manual*”, which is available on the Microchip web site ([www.microchip.com](http://www.microchip.com)).

**2:** Some registers and associated bits described in this section may not be available on all devices. Refer to **Section 4.0 “Memory Organization”** in this data sheet for device-specific register and bit information.

The interrupt controller reduces the numerous peripheral interrupt request signals to a single interrupt request signal to the CPU. The controller has the following features:

- Up to eight processor exceptions and software traps
- Seven user-selectable priority levels
- Interrupt Vector Table (IVT) with up to 118 vectors
- A unique vector for each interrupt or exception source
- Fixed priority within a specified user priority level
- Alternate Interrupt Vector Table (AIVT) for debug support
- Fixed interrupt entry and return latencies

### 7.1 Interrupt Vector Table

The Interrupt Vector Table (IVT) is shown in [Figure 7-1](#). The IVT resides in program memory, starting at location, 000004h. The IVT contains 126 vectors, consisting of eight non-maskable trap vectors, plus up to 118 sources of interrupt. In general, each interrupt source has its own vector. Each interrupt vector contains a 24-bit wide address. The value programmed into each interrupt vector location is the starting address of the associated Interrupt Service Routine (ISR).

Interrupt vectors are prioritized in terms of their natural priority. This priority is linked to their position in the vector table. Lower addresses generally have a higher natural priority. For example, the interrupt associated with Vector 0 will take priority over interrupts at any other vector address.

The devices implement up to 28 unique interrupts and four non-maskable traps. These are summarized in [Table 7-1](#).

#### 7.1.1 ALTERNATE INTERRUPT VECTOR TABLE

The Alternate Interrupt Vector Table (AIVT) is located after the IVT, as shown in [Figure 7-1](#). Access to the AIVT is provided by the ALTIVT control bit (INTCON2<15>). If the ALTIVT bit is set, all interrupt and exception processes use the alternate vectors instead of the default vectors. The alternate vectors are organized in the same manner as the default vectors.

The AIVT supports debugging by providing a means to switch between an application and a support environment without requiring the interrupt vectors to be reprogrammed. This feature also enables switching between applications for evaluation of different software algorithms at run time. If the AIVT is not needed, the AIVT should be programmed with the same addresses used in the IVT.

### 7.2 Reset Sequence

A device Reset is not a true exception because the interrupt controller is not involved in the Reset process. A device clears its registers in response to a Reset, which forces the PC to zero. The digital signal controller then begins program execution at location, 0x000000. A `GOTO` instruction at the Reset address can redirect program execution to the appropriate start-up routine.

**Note:** Any unimplemented or unused vector locations in the IVT and AIVT should be programmed with the address of a default interrupt handler routine that contains a `RESET` instruction.

# dsPIC33FJ06GS001/101A/102A/202A and dsPIC33FJ09GS302

**FIGURE 7-1: dsPIC33FJ06GS001/101A/102A/202A and dsPIC33FJ09GS302 INTERRUPT VECTOR TABLE**





# dsPIC33FJ06GS001/101A/102A/202A and dsPIC33FJ09GS302

**TABLE 7-1: INTERRUPT VECTORS**

| Vector Number                  | Interrupt Request (IQR) | IVT Address       | AIVT Address      | Interrupt Source                         |
|--------------------------------|-------------------------|-------------------|-------------------|--|
| Highest Natural Order Priority |                         |                   |                   |  |
| 8                              | 0                       | 0x000014          | 0x000114          | INT0 – External Interrupt 0              |
| 9                              | 1                       | 0x000016          | 0x000116          | IC1 – Input Capture 1                    |
| 10                             | 2                       | 0x000018          | 0x000118          | OC1 – Output Compare 1                   |
| 11                             | 3                       | 0x00001A          | 0x00011A          | T1 – Timer1                              |
| 12-14                          | 4-6                     | 0x00001C-0x000020 | 0x00011C-0x000120 | Reserved                                 |
| 15                             | 7                       | 0x000022          | 0x000122          | T2 – Timer2                              |
| 16                             | 8                       | 0x000024          | 0x000124          | Reserved                                 |
| 17                             | 9                       | 0x000026          | 0x000126          | SPI1E – SPI1 Error                       |
| 18                             | 10                      | 0x000028          | 0x000128          | SPI1 – SPI1 Transfer Done                |
| 19                             | 11                      | 0x00002A          | 0x00012A          | U1RX – UART1 Receiver                    |
| 20                             | 12                      | 0x00002C          | 0x00012C          | U1TX – UART1 Transmitter                 |
| 21                             | 13                      | 0x00002E          | 0x00012E          | ADC – ADC Group Convert Done             |
| 22                             | 14                      | 0x000030          | 0x000130          | Reserved                                 |
| 23                             | 15                      | 0x000032          | 0x000132          | Reserved                                 |
| 24                             | 16                      | 0x000034          | 0x000134          | SI2C1 – I2C1 Slave Event                 |
| 25                             | 17                      | 0x000036          | 0x000136          | MI2C1 – I2C1 Master Event                |
| 26                             | 18                      | 0x000038          | 0x000138          | CMP1 – Analog Comparator 1 Interrupt     |
| 27                             | 19                      | 0x00003A          | 0x00013A          | CN – Input Change Notification Interrupt |
| 28                             | 20                      | 0x00003C          | 0x00013C          | INT1 – External Interrupt 1              |
| 29-36                          | 21-28                   | 0x00003E-0x00004C | 0x00013E-0x00014C | Reserved                                 |
| 37                             | 29                      | 0x00004E          | 0x00014E          | INT2 – External Interrupt 2              |
| 38-64                          | 30-56                   | 0x000050-0x000084 | 0x000150-0x000184 | Reserved                                 |
| 65                             | 57                      | 0x000086          | 0x000186          | PSEM – PWM Special Event Match Interrupt |
| 66-72                          | 58-64                   | 0x000088-0x000094 | 0x000188-0x000194 | Reserved                                 |
| 73                             | 65                      | 0x000096          | 0x000196          | U1E – UART1 Error Interrupt              |
| 74-87                          | 66-79                   | 0x000098-0x0000B2 | 0x000198-0x0001B2 | Reserved                                 |
| 88                             | 80                      | 0x0000B4          | 0x0001B4          | JTAG – Data Ready                        |
| 89-101                         | 81-93                   | 0x0000B6-0x0000CE | 0x0001B6-0x0001CE | Reserved                                 |
| 102                            | 94                      | 0x0000D0          | 0x0001D0          | PWM1 – PWM1 Interrupt                    |
| 103                            | 95                      | 0x0000D2          | 0x0001D2          | PWM2 – PWM2 Interrupt                    |
| 104                            | 96                      | 0x0000D4          | 0x0001D4          | Reserved                                 |
| 105                            | 97                      | 0x0000D6          | 0x0001D6          | PWM4 – PWM4 Interrupt                    |
| 106-110                        | 98-102                  | 0x0000D8-0x0000E0 | 0x0001D8-0x0001E0 | Reserved                                 |
| 111                            | 103                     | 0x0000E2          | 0x0001E2          | CMP2 – Analog Comparator 2 Interrupt     |
| 112-117                        | 104-109                 | 0x0000E4-0x0000EE | 0x0001E4-0x0001EE | Reserved                                 |
| 118                            | 110                     | 0x0000F0          | 0x0001F0          | ADC Pair 0 Convert Done                  |
| 119                            | 111                     | 0x0000F2          | 0x0001F2          | ADC Pair 1 Convert Done                  |
| 120                            | 112                     | 0x0000F4          | 0x0001F4          | ADC Pair 2 Convert Done                  |
| 121                            | 113                     | 0x0000F6          | 0x0001F6          | ADC Pair 3 Convert Done                  |
| 122                            | 114                     | 0x0000F8          | 0x0001F8          | Reserved                                 |
| 123                            | 115                     | 0x0000FA          | 0x0001FA          | Reserved                                 |
| 124                            | 116                     | 0x0000FC          | 0x0001FC          | ADC Pair 6 Convert Done                  |
| 125                            | 117                     | 0x0000FE          | 0x0001FE          | Reserved                                 |
| Lowest Natural Order Priority  |                         |                   |                   |  |

## 7.3 Interrupt Control and Status Registers

The following registers are implemented for the interrupt controller:

- INTCON1
- INTCON2
- IFSx
- IECx
- IPCx
- INTTREG

### 7.3.1 INTCON1 AND INTCON2

Global interrupt control functions are controlled from INTCON1 and INTCON2. INTCON1 contains the Interrupt Nesting Disable (NSTDIS) bit as well as the control and status flags for the processor trap sources. The INTCON2 register controls the external interrupt request signal behavior and the use of the Alternate Interrupt Vector Table.

### 7.3.2 IFSx

The IFSx registers maintain all of the interrupt request flags. Each source of interrupt has a status bit, which is set by the respective peripherals or external signal and is cleared via software.

### 7.3.3 IECx

The IECx registers maintain all of the interrupt enable bits. These control bits are used to individually enable interrupts from the peripherals or external signals.

### 7.3.4 IPCx

The IPCx registers are used to set the Interrupt Priority Level (IPL) for each source of interrupt. Each user interrupt source can be assigned to one of eight priority levels.

### 7.3.5 INTTREG

The INTTREG register contains the associated interrupt vector number and the new CPU Interrupt Priority Level, which are latched into the Vector Number (VECNUM<6:0>) and Interrupt Level (ILR<3:0>) bit fields in the INTTREG register. The new Interrupt Priority Level is the priority of the pending interrupt.

The interrupt sources are assigned to the IFSx, IECx and IPCx registers in the same sequence that they are listed in [Table 7-1](#). For example, the INT0 (External Interrupt 0) is shown as having Vector Number 8 and a natural order priority of 0. Thus, the INT0IF bit is found in IFS0<0>, the INT0IE bit is found in IEC0<0> and the INT0IP bits are found in the first position of IPC0 (IPC0<2:0>).

### 7.3.6 STATUS/CONTROL REGISTERS

Although they are not specifically part of the interrupt control hardware, two of the CPU Control registers contain bits that control interrupt functionality.

- The CPU STATUS Register, SR, contains the IPL<2:0> bits (SR<7:5>). These bits indicate the current CPU Interrupt Priority Level. The user can change the current CPU priority level by writing to the IPL bits.
- The CORCON register contains the IPL3 bit, which together with IPL<2:0>, indicates the current CPU priority level. IPL3 is a read-only bit so that trap events cannot be masked by the user software.

All Interrupt registers are described in [Register 7-1](#) through [Register 7-35](#).

# dsPIC33FJ06GS001/101A/102A/202A and dsPIC33FJ09GS302

## REGISTER 7-1: SR: CPU STATUS REGISTER<sup>(1)</sup>

|                         |                      |                      |       |       |       |       |       |
|-------------------------|----------------------|----------------------|-------|-------|-------|-------|-------|
| R-0                     | R-0                  | R/C-0                | R/C-0 | R-0   | R/C-0 | R-0   | R/W-0 |
| OA                      | OB                   | SA                   | SB    | OAB   | SAB   | DA    | DC    |
| bit 15                  |                      |                      |       |       |       | bit 8 |       |
| R/W-0 <sup>(3)</sup>    | R/W-0 <sup>(3)</sup> | R/W-0 <sup>(3)</sup> | R-0   | R/W-0 | R/W-0 | R/W-0 | R/W-0 |
| IPL<2:0> <sup>(2)</sup> |                      |                      | RA    | N     | OV    | Z     | C     |
| bit 7                   |                      |                      |       |       |       | bit 0 |       |

|                  |                      |                                    |
|------------------|----------------------|------------------------------------|
| <b>Legend:</b>   | C = Clearable bit    | U = Unimplemented bit, read as '0' |
| R = Readable bit | W = Writable bit     | -n = Value at POR                  |
| '1' = Bit is set | '0' = Bit is cleared | x = Bit is unknown                 |

bit 7-5      **IPL<2:0>**: CPU Interrupt Priority Level Status bits<sup>(2,3)</sup>

111 = CPU Interrupt Priority Level is 7 (15), user interrupts are disabled  
110 = CPU Interrupt Priority Level is 6 (14)  
101 = CPU Interrupt Priority Level is 5 (13)  
100 = CPU Interrupt Priority Level is 4 (12)  
011 = CPU Interrupt Priority Level is 3 (11)  
010 = CPU Interrupt Priority Level is 2 (10)  
001 = CPU Interrupt Priority Level is 1 (9)  
000 = CPU Interrupt Priority Level is 0 (8)

- Note 1:** For complete register details, see [Register 3-1](#).
- 2:** The IPL<2:0> bits are concatenated with the IPL3 bit (CORCON<3>) to form the CPU Interrupt Priority Level. The value in parentheses indicates the IPL if IPL3 = 1. User interrupts are disabled when IPL3 = 1.
- 3:** The IPL<2:0> status bits are read-only when NSTDIS (INTCON1<15>) = 1.

## REGISTER 7-2: CORCON: CORE CONTROL REGISTER<sup>(1)</sup>

|        |       |       |        |                     |         |       |       |
|--------|-------|-------|--------|---------------------|---------|-------|-------|
| U-0    | U-0   | U-0   | R/W-0  | R/W-0               | R-0     | R-0   | R-0   |
| —      | —     | —     | US     | EDT                 | DL<2:0> |       |       |
| bit 15 |       |       |        |                     |         | bit 8 |       |
| R/W-0  | R/W-0 | R/W-1 | R/W-0  | R/C-0               | R/W-0   | R/W-0 | R/W-0 |
| SATA   | SATB  | SATDW | ACCSAT | IPL3 <sup>(2)</sup> | PSV     | RND   | IF    |
| bit 7  |       |       |        |                     |         | bit 0 |       |

|                      |                      |                                    |                  |
|----------------------|----------------------|------------------------------------|------------------|
| <b>Legend:</b>       | C = Clearable bit    |                                    |                  |
| R = Readable bit     | W = Writable bit     | -n = Value at POR                  | '1' = Bit is set |
| '0' = Bit is cleared | 'x' = Bit is unknown | U = Unimplemented bit, read as '0' |                  |

bit 3      **IPL3**: CPU Interrupt Priority Level Status bit<sup>(2)</sup>

1 = CPU Interrupt Priority Level is greater than 7  
0 = CPU Interrupt Priority Level is 7 or less

- Note 1:** For complete register details, see [Register 3-2](#).
- 2:** The IPL3 bit is concatenated with the IPL<2:0> bits (SR<7:5>) to form the CPU Interrupt Priority Level.

# dsPIC33FJ06GS001/101A/102A/202A and dsPIC33FJ09GS302

## REGISTER 7-3: INTCON1: INTERRUPT CONTROL REGISTER 1

|        |        |        |         |         |       |       |       |
|--------|--------|--------|---------|---------|-------|-------|-------|
| R/W-0  | R/W-0  | R/W-0  | R/W-0   | R/W-0   | R/W-0 | R/W-0 | R/W-0 |
| NSTDIS | OVAERR | OVBERR | COVAERR | COVBERR | OVATE | OVBTE | COVTE |
| bit 15 |        |        |         |         |       |       | bit 8 |

|          |         |     |         |         |        |         |       |
|----------|---------|-----|---------|---------|--------|---------|-------|
| R/W-0    | R/W-0   | U-0 | R/W-0   | R/W-0   | R/W-0  | R/W-0   | U-0   |
| SFTACERR | DIV0ERR | —   | MATHERR | ADDRERR | STKERR | OSCFAIL | —     |
| bit 7    |         |     |         |         |        |         | bit 0 |

### Legend:

|                   |                  |  |
|-------------------|------------------|--|
| R = Readable bit  | W = Writable bit | U = Unimplemented bit, read as '0'           |
| -n = Value at POR | '1' = Bit is set | '0' = Bit is cleared      x = Bit is unknown |

- bit 15      **NSTDIS:** Interrupt Nesting Disable bit  
1 = Interrupt nesting is disabled  
0 = Interrupt nesting is enabled
- bit 14      **OVAERR:** Accumulator A Overflow Trap Flag bit  
1 = Trap was caused by overflow of Accumulator A  
0 = Trap was not caused by overflow of Accumulator A
- bit 13      **OVBERR:** Accumulator B Overflow Trap Flag bit  
1 = Trap was caused by overflow of Accumulator B  
0 = Trap was not caused by overflow of Accumulator B
- bit 12      **COVAERR:** Accumulator A Catastrophic Overflow Trap Flag bit  
1 = Trap was caused by catastrophic overflow of Accumulator A  
0 = Trap was not caused by catastrophic overflow of Accumulator A
- bit 11      **COVBERR:** Accumulator B Catastrophic Overflow Trap Flag bit  
1 = Trap was caused by catastrophic overflow of Accumulator B  
0 = Trap was not caused by catastrophic overflow of Accumulator B
- bit 10      **OVATE:** Accumulator A Overflow Trap Enable bit  
1 = Trap overflow of Accumulator A  
0 = Trap is disabled
- bit 9        **OVBTE:** Accumulator B Overflow Trap Enable bit  
1 = Trap overflow of Accumulator B  
0 = Trap is disabled
- bit 8        **COVTE:** Catastrophic Overflow Trap Enable bit  
1 = Trap on catastrophic overflow of Accumulator A or B is enabled  
0 = Trap is disabled
- bit 7        **SFTACERR:** Shift Accumulator Error Status bit  
1 = Math error trap was caused by an invalid accumulator shift  
0 = Math error trap was not caused by an invalid accumulator shift
- bit 6        **DIV0ERR:** Divide-by-Zero Error Trap Status bit  
1 = Math error trap was caused by a divide-by-zero  
0 = Math error trap was not caused by a divide-by-zero
- bit 5        **Unimplemented:** Read as '0'
- bit 4        **MATHERR:** Math Error Trap Status bit  
1 = Math error trap has occurred  
0 = Math error trap has not occurred
- bit 3        **ADDRERR:** Address Error Trap Status bit  
1 = Address error trap has occurred  
0 = Address error trap has not occurred

## REGISTER 7-3: INTCON1: INTERRUPT CONTROL REGISTER 1 (CONTINUED)

- bit 2      **STKERR:** Stack Error Trap Status bit  
            1 = Stack error trap has occurred  
            0 = Stack error trap has not occurred
- bit 1      **OSCFAIL:** Oscillator Failure Trap Status bit  
            1 = Oscillator failure trap has occurred  
            0 = Oscillator failure trap has not occurred
- bit 0      **Unimplemented:** Read as '0'

# dsPIC33FJ06GS001/101A/102A/202A and dsPIC33FJ09GS302

## REGISTER 7-4: INTCON2: INTERRUPT CONTROL REGISTER 2

|        |      |     |     |     |     |     |       |
|--------|------|-----|-----|-----|-----|-----|-------|
| R/W-0  | R-0  | U-0 | U-0 | U-0 | U-0 | U-0 | U-0   |
| ALTIVT | DISI | —   | —   | —   | —   | —   | —     |
| bit 15 |      |     |     |     |     |     | bit 8 |

|       |     |     |     |     |        |        |        |
|-------|-----|-----|-----|-----|--------|--------|--------|
| U-0   | U-0 | U-0 | U-0 | U-0 | R/W-0  | R/W-0  | R/W-0  |
| —     | —   | —   | —   | —   | INT2EP | INT1EP | INT0EP |
| bit 7 |     |     |     |     |        | bit 0  |        |

### Legend:

R = Readable bit                      W = Writable bit                      U = Unimplemented bit, read as '0'  
 -n = Value at POR                      '1' = Bit is set                      '0' = Bit is cleared                      x = Bit is unknown

- bit 15            **ALTIVT:** Enable Alternate Interrupt Vector Table bit  
                   1 = Uses alternate vector table  
                   0 = Uses standard (default) vector table
- bit 14            **DISI:** DISI Instruction Status bit  
                   1 = DISI instruction is active  
                   0 = DISI instruction is not active
- bit 13-3        **Unimplemented:** Read as '0'
- bit 2            **INT2EP:** External Interrupt 2 Edge Detect Polarity Select bit  
                   1 = Interrupt on negative edge  
                   0 = Interrupt on positive edge
- bit 1            **INT1EP:** External Interrupt 1 Edge Detect Polarity Select bit  
                   1 = Interrupt on negative edge  
                   0 = Interrupt on positive edge
- bit 0            **INT0EP:** External Interrupt 0 Edge Detect Polarity Select bit  
                   1 = Interrupt on negative edge  
                   0 = Interrupt on positive edge

# dsPIC33FJ06GS001/101A/102A/202A and dsPIC33FJ09GS302

## REGISTER 7-5: IFS0: INTERRUPT FLAG STATUS REGISTER 0

|        |     |       |                       |                       |                       |                        |       |
|--------|-----|-------|-----------------------|-----------------------|-----------------------|------------------------|-------|
| U-0    | U-0 | R/W-0 | R/W-0                 | R/W-0                 | R/W-0                 | R/W-0                  | U-0   |
| —      | —   | ADIF  | U1TXIF <sup>(1)</sup> | U1RXIF <sup>(1)</sup> | SPI1IF <sup>(1)</sup> | SPI1EIF <sup>(1)</sup> | —     |
| bit 15 |     |       |                       |                       |                       |                        | bit 8 |

|       |     |     |     |       |                      |                      |        |
|-------|-----|-----|-----|-------|----------------------|----------------------|--------|
| R/W-0 | U-0 | U-0 | U-0 | R/W-0 | R/W-0                | R/W-0                | R/W-0  |
| T2IF  | —   | —   | —   | T1IF  | OC1IF <sup>(1)</sup> | IC1IF <sup>(2)</sup> | INT0IF |
| bit 7 |     |     |     |       |                      |                      | bit 0  |

|                   |                  |                                    |                    |
|-------------------|------------------|------------------------------------|--------------------|
| <b>Legend:</b>    |                  |                                    |                    |
| R = Readable bit  | W = Writable bit | U = Unimplemented bit, read as '0' |                    |
| -n = Value at POR | '1' = Bit is set | '0' = Bit is cleared               | x = Bit is unknown |

- bit 15-14     **Unimplemented:** Read as '0'
- bit 13       **ADIF:** ADC Group Conversion Complete Interrupt Flag Status bit  
               1 = Interrupt request has occurred  
               0 = Interrupt request has not occurred
- bit 12       **U1TXIF:** UART1 Transmitter Interrupt Flag Status bit<sup>(1)</sup>  
               1 = Interrupt request has occurred  
               0 = Interrupt request has not occurred
- bit 11       **U1RXIF:** UART1 Receiver Interrupt Flag Status bit<sup>(1)</sup>  
               1 = Interrupt request has occurred  
               0 = Interrupt request has not occurred
- bit 10       **SPI1IF:** SPI1 Event Interrupt Flag Status bit<sup>(1)</sup>  
               1 = Interrupt request has occurred  
               0 = Interrupt request has not occurred
- bit 9         **SPI1EIF:** SPI1 Error Interrupt Flag Status bit<sup>(1)</sup>  
               1 = Interrupt request has occurred  
               0 = Interrupt request has not occurred
- bit 8         **Unimplemented:** Read as '0'
- bit 7         **T2IF:** Timer2 Interrupt Flag Status bit  
               1 = Interrupt request has occurred  
               0 = Interrupt request has not occurred
- bit 6-4       **Unimplemented:** Read as '0'
- bit 3         **T1IF:** Timer1 Interrupt Flag Status bit  
               1 = Interrupt request has occurred  
               0 = Interrupt request has not occurred
- bit 2         **OC1IF:** Output Compare Channel 1 Interrupt Flag Status bit<sup>(1)</sup>  
               1 = Interrupt request has occurred  
               0 = Interrupt request has not occurred
- bit 1         **IC1IF:** Input Capture Channel 1 Interrupt Flag Status bit<sup>(2)</sup>  
               1 = Interrupt request has occurred  
               0 = Interrupt request has not occurred
- bit 0         **INT0IF:** External Interrupt 0 Flag Status bit  
               1 = Interrupt request has occurred  
               0 = Interrupt request has not occurred

**Note 1:** This bit is not implemented in the dsPIC33FJ06GS001 device.  
**Note 2:** This bit is not implemented in dsPIC33FJ06GS001/101A/102A devices.

# dsPIC33FJ06GS001/101A/102A/202A and dsPIC33FJ09GS302

## REGISTER 7-6: IFS1: INTERRUPT FLAG STATUS REGISTER 1

|        |     |        |     |     |     |     |       |
|--------|-----|--------|-----|-----|-----|-----|-------|
| U-0    | U-0 | R/W-0  | U-0 | U-0 | U-0 | U-0 | U-0   |
| —      | —   | INT2IF | —   | —   | —   | —   | —     |
| bit 15 |     |        |     |     |     |     | bit 8 |

|       |     |     |        |       |                      |         |         |
|-------|-----|-----|--------|-------|----------------------|---------|---------|
| U-0   | U-0 | U-0 | R/W-0  | R/W-0 | R/W-0                | R/W-0   | R/W-0   |
| —     | —   | —   | INT1IF | CNIF  | AC1IF <sup>(1)</sup> | MI2C1IF | SI2C1IF |
| bit 7 |     |     |        |       |                      |         | bit 0   |

### Legend:

R = Readable bit                      W = Writable bit                      U = Unimplemented bit, read as '0'  
 -n = Value at POR                      '1' = Bit is set                      '0' = Bit is cleared                      x = Bit is unknown

- bit 15-14      **Unimplemented:** Read as '0'
- bit 13        **INT2IF:** External Interrupt 2 Flag Status bit  
                  1 = Interrupt request has occurred  
                  0 = Interrupt request has not occurred
- bit 12-5     **Unimplemented:** Read as '0'
- bit 4         **INT1IF:** External Interrupt 1 Flag Status bit  
                  1 = Interrupt request has occurred  
                  0 = Interrupt request has not occurred
- bit 3         **CNIF:** Input Change Notification Interrupt Flag Status bit  
                  1 = Interrupt request has occurred  
                  0 = Interrupt request has not occurred
- bit 2         **AC1IF:** Analog Comparator 1 Interrupt Flag Status bit<sup>(1)</sup>  
                  1 = Interrupt request has occurred  
                  0 = Interrupt request has not occurred
- bit 1         **MI2C1IF:** I2C1 Master Events Interrupt Flag Status bit  
                  1 = Interrupt request has occurred  
                  0 = Interrupt request has not occurred
- bit 0         **SI2C1IF:** I2C1 Slave Events Interrupt Flag Status bit  
                  1 = Interrupt request has occurred  
                  0 = Interrupt request has not occurred

**Note 1:** This bit is not implemented in dsPIC33FJ06GS101A/102A devices.



# dsPIC33FJ06GS001/101A/102A/202A and dsPIC33FJ09GS302

## REGISTER 7-7: IFS3: INTERRUPT FLAG STATUS REGISTER 3

|        |     |     |     |     |     |        |       |
|--------|-----|-----|-----|-----|-----|--------|-------|
| U-0    | U-0 | U-0 | U-0 | U-0 | U-0 | R/W-0  | U-0   |
| —      | —   | —   | —   | —   | —   | PSEMIF | —     |
| bit 15 |     |     |     |     |     |        | bit 8 |

|       |     |     |     |     |     |     |       |
|-------|-----|-----|-----|-----|-----|-----|-------|
| U-0   | U-0 | U-0 | U-0 | U-0 | U-0 | U-0 | U-0   |
| —     | —   | —   | —   | —   | —   | —   | —     |
| bit 7 |     |     |     |     |     |     | bit 0 |

### Legend:

R = Readable bit                      W = Writable bit                      U = Unimplemented bit, read as '0'  
-n = Value at POR                      '1' = Bit is set                      '0' = Bit is cleared                      x = Bit is unknown

bit 15-10            **Unimplemented:** Read as '0'  
bit 9                **PSEMIF:** PWM Special Event Match Interrupt Flag Status bit  
                          1 = Interrupt request has occurred  
                          0 = Interrupt request has not occurred  
bit 8-0             **Unimplemented:** Read as '0'

## REGISTER 7-8: IFS4: INTERRUPT FLAG STATUS REGISTER 4

|        |     |     |     |     |     |     |       |
|--------|-----|-----|-----|-----|-----|-----|-------|
| U-0    | U-0 | U-0 | U-0 | U-0 | U-0 | U-0 | U-0   |
| —      | —   | —   | —   | —   | —   | —   | —     |
| bit 15 |     |     |     |     |     |     | bit 8 |

|       |     |     |     |     |     |                      |       |
|-------|-----|-----|-----|-----|-----|----------------------|-------|
| U-0   | U-0 | U-0 | U-0 | U-0 | U-0 | R/W-0                | U-0   |
| —     | —   | —   | —   | —   | —   | U1EIF <sup>(1)</sup> | —     |
| bit 7 |     |     |     |     |     |                      | bit 0 |

### Legend:

R = Readable bit                      W = Writable bit                      U = Unimplemented bit, read as '0'  
-n = Value at POR                      '1' = Bit is set                      '0' = Bit is cleared                      x = Bit is unknown

bit 15-2            **Unimplemented:** Read as '0'  
bit 1                **U1EIF:** UART1 Error Interrupt Flag Status bit<sup>(1)</sup>  
                          1 = Interrupt request has occurred  
                          0 = Interrupt request has not occurred  
bit 0                **Unimplemented:** Read as '0'

**Note 1:** This bit is not implemented in the dsPIC33FJ06GS001 device.

# dsPIC33FJ06GS001/101A/102A/202A and dsPIC33FJ09GS302

## REGISTER 7-9: IFS5: INTERRUPT FLAG STATUS REGISTER 5

|                       |        |     |     |     |     |     |       |
|-----------------------|--------|-----|-----|-----|-----|-----|-------|
| R/W-0                 | R/W-0  | U-0 | U-0 | U-0 | U-0 | U-0 | U-0   |
| PWM2IF <sup>(1)</sup> | PWM1IF | —   | —   | —   | —   | —   | —     |
| bit 15                |        |     |     |     |     |     | bit 8 |

|       |     |     |     |     |     |     |        |
|-------|-----|-----|-----|-----|-----|-----|--------|
| U-0   | U-0 | U-0 | U-0 | U-0 | U-0 | U-0 | R/W-0  |
| —     | —   | —   | —   | —   | —   | —   | JTAGIF |
| bit 7 |     |     |     |     |     |     | bit 0  |

### Legend:

R = Readable bit

W = Writable bit

U = Unimplemented bit, read as '0'

-n = Value at POR

'1' = Bit is set

'0' = Bit is cleared

x = Bit is unknown

bit 15 **PWM2IF:** PWM2 Interrupt Flag Status bit<sup>(1)</sup>

1 = Interrupt request has occurred

0 = Interrupt request has not occurred

bit 14 **PWM1IF:** PWM1 Interrupt Flag Status bit

1 = Interrupt request has occurred

0 = Interrupt request has not occurred

bit 13-1 **Unimplemented:** Read as '0'

bit 0 **JTAGIF:** JTAG Interrupt Flag Status bit

1 = Interrupt request has occurred

0 = Interrupt request has not occurred

**Note 1:** This bit is not implemented in dsPIC33FJ06GS001/101A devices.

# dsPIC33FJ06GS001/101A/102A/202A and dsPIC33FJ09GS302

## REGISTER 7-10: IFS6: INTERRUPT FLAG STATUS REGISTER 6

|         |         |     |     |     |     |     |       |
|---------|---------|-----|-----|-----|-----|-----|-------|
| R/W-0   | R/W-0   | U-0 | U-0 | U-0 | U-0 | U-0 | U-0   |
| ADCP1IF | ADCP0IF | —   | —   | —   | —   | —   | —     |
| bit 15  |         |     |     |     |     |     | bit 8 |

|                      |     |     |     |     |     |                       |     |
|----------------------|-----|-----|-----|-----|-----|-----------------------|-----|
| R/W-0                | U-0 | U-0 | U-0 | U-0 | U-0 | R/W-0                 | U-0 |
| AC2IF <sup>(1)</sup> | —   | —   | —   | —   | —   | PWM4IF <sup>(2)</sup> | —   |
| bit 7                |     |     |     |     |     | bit 0                 |     |

### Legend:

R = Readable bit

W = Writable bit

U = Unimplemented bit, read as '0'

-n = Value at POR

'1' = Bit is set

'0' = Bit is cleared

x = Bit is unknown

- bit 15      **ADCP1IF:** ADC Pair 1 Conversion Done Interrupt Flag Status bit  
                  1 = Interrupt request has occurred  
                  0 = Interrupt request has not occurred
- bit 14      **ADCP0IF:** ADC Pair 0 Conversion Done Interrupt Flag Status bit  
                  1 = Interrupt request has occurred  
                  0 = Interrupt request has not occurred
- bit 13-8    **Unimplemented:** Read as '0'
- bit 7        **AC2IF:** Analog Comparator 2 Interrupt Flag Status bit<sup>(1)</sup>  
                  1 = Interrupt request has occurred  
                  0 = Interrupt request has not occurred
- bit 6-2     **Unimplemented:** Read as '0'
- bit 1        **PWM4IF:** PWM4 Interrupt Flag Status bit<sup>(2)</sup>  
                  1 = Interrupt request has occurred  
                  0 = Interrupt request has not occurred
- bit 0        **Unimplemented:** Read as '0'

**Note 1:** This bit is not implemented in dsPIC33FJ06GS101A/102A devices.

**Note 2:** This bit is not implemented in dsPIC33FJ06GS102A/202A devices.

# dsPIC33FJ06GS001/101A/102A/202A and dsPIC33FJ09GS302

## REGISTER 7-11: IFS7: INTERRUPT FLAG STATUS REGISTER 7

|        |     |     |     |     |     |     |       |
|--------|-----|-----|-----|-----|-----|-----|-------|
| U-0    | U-0 | U-0 | U-0 | U-0 | U-0 | U-0 | U-0   |
| —      | —   | —   | —   | —   | —   | —   | —     |
| bit 15 |     |     |     |     |     |     | bit 8 |

|       |     |     |         |     |     |                        |                        |
|-------|-----|-----|---------|-----|-----|------------------------|------------------------|
| U-0   | U-0 | U-0 | R/W-0   | U-0 | U-0 | R/W-0                  | R/W-0                  |
| —     | —   | —   | ADCP6IF | —   | —   | ADCP3IF <sup>(1)</sup> | ADCP2IF <sup>(2)</sup> |
| bit 7 |     |     |         |     |     |                        | bit 0                  |

### Legend:

R = Readable bit                      W = Writable bit                      U = Unimplemented bit, read as '0'  
 -n = Value at POR                      '1' = Bit is set                      '0' = Bit is cleared                      x = Bit is unknown

- bit 15-5        **Unimplemented:** Read as '0'
- bit 4        **ADCP6IF:** ADC Pair 6 Conversion Done Interrupt Flag Status bit  
                   1 = Interrupt request has occurred  
                   0 = Interrupt request has not occurred
- bit 3-2        **Unimplemented:** Read as '0'
- bit 1        **ADCP3IF:** ADC Pair 3 Conversion Done Interrupt Flag Status bit<sup>(1)</sup>  
                   1 = Interrupt request has occurred  
                   0 = Interrupt request has not occurred
- bit 0        **ADCP2IF:** ADC Pair 2 Conversion Done Interrupt Flag Status bit<sup>(2)</sup>  
                   1 = Interrupt request has occurred  
                   0 = Interrupt request has not occurred

- Note 1:** This bit is not implemented in dsPIC33FJ06GS102A/202A devices.  
**Note 2:** This bit is not implemented in dsPIC33FJ06GS001/101A devices.

# dsPIC33FJ06GS001/101A/102A/202A and dsPIC33FJ09GS302

## REGISTER 7-12: IEC0: INTERRUPT ENABLE CONTROL REGISTER 0

|        |     |       |                       |                       |                       |                        |       |
|--------|-----|-------|-----------------------|-----------------------|-----------------------|------------------------|-------|
| U-0    | U-0 | R/W-0 | R/W-0                 | R/W-0                 | R/W-0                 | R/W-0                  | U-0   |
| —      | —   | ADIE  | U1TXIE <sup>(1)</sup> | U1RXIE <sup>(1)</sup> | SPI1IE <sup>(1)</sup> | SPI1EIE <sup>(1)</sup> | —     |
| bit 15 |     |       |                       |                       |                       |                        | bit 8 |

|       |     |     |     |       |                      |                      |        |
|-------|-----|-----|-----|-------|----------------------|----------------------|--------|
| R/W-0 | U-0 | U-0 | U-0 | R/W-0 | R/W-0                | R/W-0                | R/W-0  |
| T2IE  | —   | —   | —   | T1IE  | OC1IE <sup>(1)</sup> | IC1IE <sup>(2)</sup> | INT0IE |
| bit 7 |     |     |     |       |                      |                      | bit 0  |

### Legend:

R = Readable bit

W = Writable bit

U = Unimplemented bit, read as '0'

-n = Value at POR

'1' = Bit is set

'0' = Bit is cleared

x = Bit is unknown

- bit 15-14     **Unimplemented:** Read as '0'
- bit 13       **ADIE:** ADC1 Conversion Complete Interrupt Enable bit  
1 = Interrupt request is enabled  
0 = Interrupt request is not enabled
- bit 12       **U1TXIE:** UART1 Transmitter Interrupt Enable bit<sup>(1)</sup>  
1 = Interrupt request is enabled  
0 = Interrupt request is not enabled
- bit 11       **U1RXIE:** UART1 Receiver Interrupt Enable bit<sup>(1)</sup>  
1 = Interrupt request is enabled  
0 = Interrupt request is not enabled
- bit 10       **SPI1IE:** SPI1 Event Interrupt Enable bit<sup>(1)</sup>  
1 = Interrupt request is enabled  
0 = Interrupt request is not enabled
- bit 9         **SPI1EIE:** SPI1 Event Interrupt Enable bit<sup>(1)</sup>  
1 = Interrupt request is enabled  
0 = Interrupt request is not enabled
- bit 8         **Unimplemented:** Read as '0'
- bit 7         **T2IE:** Timer2 Interrupt Enable bit  
1 = Interrupt request is enabled  
0 = Interrupt request is not enabled
- bit 6-4       **Unimplemented:** Read as '0'
- bit 3         **T1IE:** Timer1 Interrupt Enable bit  
1 = Interrupt request is enabled  
0 = Interrupt request is not enabled
- bit 2         **OC1IE:** Output Compare Channel 1 Interrupt Enable bit<sup>(1)</sup>  
1 = Interrupt request is enabled  
0 = Interrupt request is not enabled
- bit 1         **IC1IE:** Input Capture Channel 1 Interrupt Enable bit<sup>(2)</sup>  
1 = Interrupt request is enabled  
0 = Interrupt request not enabled
- bit 0         **INT0IE:** External Interrupt 0 Enable bit  
1 = Interrupt request is enabled  
0 = Interrupt request is not enabled

**Note 1:** This bit is not implemented in dsPIC33FJ06GS001/101A/102A devices.

**2:** This bit is not implemented in the dsPIC33FJ06GS001 device.

# dsPIC33FJ06GS001/101A/102A/202A and dsPIC33FJ09GS302

## REGISTER 7-13: IEC1: INTERRUPT ENABLE CONTROL REGISTER 1

|        |     |        |     |     |     |     |       |
|--------|-----|--------|-----|-----|-----|-----|-------|
| U-0    | U-0 | R/W-0  | U-0 | U-0 | U-0 | U-0 | U-0   |
| —      | —   | INT2IE | —   | —   | —   | —   | —     |
| bit 15 |     |        |     |     |     |     | bit 8 |

|       |     |     |        |       |                      |         |         |
|-------|-----|-----|--------|-------|----------------------|---------|---------|
| U-0   | U-0 | U-0 | R/W-0  | R/W-0 | R/W-0                | R/W-0   | R/W-0   |
| —     | —   | —   | INT1IE | CNIE  | AC1IE <sup>(1)</sup> | MI2C1IE | SI2C1IE |
| bit 7 |     |     |        |       |                      |         | bit 0   |

### Legend:

R = Readable bit

W = Writable bit

U = Unimplemented bit, read as '0'

-n = Value at POR

'1' = Bit is set

'0' = Bit is cleared

x = Bit is unknown

- bit 15-14     **Unimplemented:** Read as '0'
- bit 13       **INT2IE:** External Interrupt 2 Enable bit  
               1 = Interrupt request is enabled  
               0 = Interrupt request is not enabled
- bit 12-5     **Unimplemented:** Read as '0'
- bit 4         **INT1IE:** External Interrupt 1 Enable bit  
               1 = Interrupt request is enabled  
               0 = Interrupt request is not enabled
- bit 3         **CNIE:** Input Change Notification Interrupt Enable bit  
               1 = Interrupt request is enabled  
               0 = Interrupt request is not enabled
- bit 2         **AC1IE:** Analog Comparator 1 Interrupt Enable bit<sup>(1)</sup>  
               1 = Interrupt request is enabled  
               0 = Interrupt request is not enabled
- bit 1         **MI2C1IE:** I2C1 Master Events Interrupt Enable bit  
               1 = Interrupt request is enabled  
               0 = Interrupt request is not enabled
- bit 0         **SI2C1IE:** I2C1 Slave Events Interrupt Enable bit  
               1 = Interrupt request is enabled  
               0 = Interrupt request is not enabled

**Note 1:** This bit is not implemented in dsPIC33FJ06GS101A/102A devices.

# dsPIC33FJ06GS001/101A/102A/202A and dsPIC33FJ09GS302

## REGISTER 7-14: IEC3: INTERRUPT ENABLE CONTROL REGISTER 3

|        |     |     |     |     |     |        |     |
|--------|-----|-----|-----|-----|-----|--------|-----|
| U-0    | U-0 | U-0 | U-0 | U-0 | U-0 | R/W-0  | U-0 |
| —      | —   | —   | —   | —   | —   | PSEMIE | —   |
| bit 15 |     |     |     |     |     | bit 8  |     |

|       |     |     |     |     |     |       |     |
|-------|-----|-----|-----|-----|-----|-------|-----|
| U-0   | U-0 | U-0 | U-0 | U-0 | U-0 | U-0   | U-0 |
| —     | —   | —   | —   | —   | —   | —     | —   |
| bit 7 |     |     |     |     |     | bit 0 |     |

### Legend:

R = Readable bit                      W = Writable bit                      U = Unimplemented bit, read as '0'  
-n = Value at POR                      '1' = Bit is set                      '0' = Bit is cleared                      x = Bit is unknown

- bit 15-10      **Unimplemented:** Read as '0'
- bit 9          **PSEMIE:** PWM Special Event Match Interrupt Enable bit  
                  1 = Interrupt request is enabled  
                  0 = Interrupt request is not enabled
- bit 8-0      **Unimplemented:** Read as '0'

## REGISTER 7-15: IEC4: INTERRUPT ENABLE CONTROL REGISTER 4

|        |     |     |     |     |     |       |     |
|--------|-----|-----|-----|-----|-----|-------|-----|
| U-0    | U-0 | U-0 | U-0 | U-0 | U-0 | U-0   | U-0 |
| —      | —   | —   | —   | —   | —   | —     | —   |
| bit 15 |     |     |     |     |     | bit 8 |     |

|       |     |     |     |     |     |                      |     |
|-------|-----|-----|-----|-----|-----|----------------------|-----|
| U-0   | U-0 | U-0 | U-0 | U-0 | U-0 | R/W-0                | U-0 |
| —     | —   | —   | —   | —   | —   | U1EIE <sup>(1)</sup> | —   |
| bit 7 |     |     |     |     |     | bit 0                |     |

### Legend:

R = Readable bit                      W = Writable bit                      U = Unimplemented bit, read as '0'  
-n = Value at POR                      '1' = Bit is set                      '0' = Bit is cleared                      x = Bit is unknown

- bit 15-2      **Unimplemented:** Read as '0'
- bit 1          **U1EIE:** UART1 Error Interrupt Enable bit<sup>(1)</sup>  
                  1 = Interrupt request is enabled  
                  0 = Interrupt request is not enabled
- bit 0          **Unimplemented:** Read as '0'

**Note 1:** This bit is not implemented in the dsPIC33FJ06GS001 device.

# dsPIC33FJ06GS001/101A/102A/202A and dsPIC33FJ09GS302

## REGISTER 7-16: IEC5: INTERRUPT ENABLE CONTROL REGISTER 5

|                       |        |     |     |     |     |     |       |
|-----------------------|--------|-----|-----|-----|-----|-----|-------|
| R/W-0                 | R/W-0  | U-0 | U-0 | U-0 | U-0 | U-0 | U-0   |
| PWM2IE <sup>(1)</sup> | PWM1IE | —   | —   | —   | —   | —   | —     |
| bit 15                |        |     |     |     |     |     | bit 8 |

|       |     |     |     |     |     |     |        |
|-------|-----|-----|-----|-----|-----|-----|--------|
| U-0   | U-0 | U-0 | U-0 | U-0 | U-0 | U-0 | R/W-0  |
| —     | —   | —   | —   | —   | —   | —   | JTAGIE |
| bit 7 |     |     |     |     |     |     | bit 0  |

### Legend:

R = Readable bit

W = Writable bit

U = Unimplemented bit, read as '0'

-n = Value at POR

'1' = Bit is set

'0' = Bit is cleared

x = Bit is unknown

bit 15      **PWM2IE:** PWM2 Interrupt Enable bit<sup>(1)</sup>

1 = Interrupt request is enabled

0 = Interrupt request is not enabled

bit 14      **PWM1IE:** PWM1 Interrupt Enable bit

1 = Interrupt request is enabled

0 = Interrupt request is not enabled

bit 13-1    **Unimplemented:** Read as '0'

bit 0        **JTAGIE:** JTAG Interrupt Enable bit

1 = Interrupt request is enabled

0 = Interrupt request is not enabled

**Note 1:** This bit is not implemented in dsPIC33FJ06GS001/101A devices.



# dsPIC33FJ06GS001/101A/102A/202A and dsPIC33FJ09GS302

## REGISTER 7-17: IEC6: INTERRUPT ENABLE CONTROL REGISTER 6

|         |         |     |     |     |     |     |       |
|---------|---------|-----|-----|-----|-----|-----|-------|
| R/W-0   | R/W-0   | U-0 | U-0 | U-0 | U-0 | U-0 | U-0   |
| ADCP1IE | ADCP0IE | —   | —   | —   | —   | —   | —     |
| bit 15  |         |     |     |     |     |     | bit 8 |

|                      |     |     |     |     |     |                       |       |
|----------------------|-----|-----|-----|-----|-----|-----------------------|-------|
| R/W-0                | U-0 | U-0 | U-0 | U-0 | U-0 | R/W-0                 | U-0   |
| AC2IE <sup>(1)</sup> | —   | —   | —   | —   | —   | PWM4IE <sup>(2)</sup> | —     |
| bit 7                |     |     |     |     |     |                       | bit 0 |

### Legend:

R = Readable bit                      W = Writable bit                      U = Unimplemented bit, read as '0'  
 -n = Value at POR                      '1' = Bit is set                      '0' = Bit is cleared                      x = Bit is unknown

- bit 15            **ADCP1IE:** ADC Pair 1 Conversion Done Interrupt Enable bit  
                   1 = Interrupt request is enabled  
                   0 = Interrupt request is not enabled
- bit 14            **ADCP0IE:** ADC Pair 0 Conversion Done Interrupt Enable bit  
                   1 = Interrupt request is enabled  
                   0 = Interrupt request is not enabled
- bit 13-8        **Unimplemented:** Read as '0'
- bit 7            **AC2IE:** Analog Comparator 2 Interrupt Enable bit<sup>(1)</sup>  
                   1 = Interrupt request is enabled  
                   0 = Interrupt request is not enabled
- bit 6-2        **Unimplemented:** Read as '0'
- bit 1            **PWM4IE:** PWM4 Interrupt Enable bit<sup>(2)</sup>  
                   1 = Interrupt request is enabled  
                   0 = Interrupt request is not enabled
- bit 0            **Unimplemented:** Read as '0'

- Note 1:** This bit is not implemented in dsPIC33FJ06GS101A/102A devices.  
**Note 2:** This bit is not implemented in dsPIC33FJ06GS102A/202A devices.

# dsPIC33FJ06GS001/101A/102A/202A and dsPIC33FJ09GS302

## REGISTER 7-18: IEC7: INTERRUPT ENABLE CONTROL REGISTER 7

|        |     |     |     |     |     |     |       |
|--------|-----|-----|-----|-----|-----|-----|-------|
| U-0    | U-0 | U-0 | U-0 | U-0 | U-0 | U-0 | U-0   |
| —      | —   | —   | —   | —   | —   | —   | —     |
| bit 15 |     |     |     |     |     |     | bit 8 |

|       |     |     |         |     |     |                        |                        |
|-------|-----|-----|---------|-----|-----|------------------------|------------------------|
| U-0   | U-0 | U-0 | R/W-0   | U-0 | U-0 | R/W-0                  | R/W-0                  |
| —     | —   | —   | ADCP6IE | —   | —   | ADCP3IE <sup>(1)</sup> | ADCP2IE <sup>(2)</sup> |
| bit 7 |     |     |         |     |     |                        | bit 0                  |

### Legend:

R = Readable bit                      W = Writable bit                      U = Unimplemented bit, read as '0'  
 -n = Value at POR                      '1' = Bit is set                      '0' = Bit is cleared                      x = Bit is unknown

- bit 15-5        **Unimplemented:** Read as '0'
- bit 4         **ADCP6IE:** ADC Pair 6 Conversion Done Interrupt Enable bit  
                   1 = Interrupt request is enabled  
                   0 = Interrupt request is not enabled
- bit 3-2       **Unimplemented:** Read as '0'
- bit 1         **ADCP3IE:** ADC Pair 3 Conversion Done Interrupt Enable bit<sup>(1)</sup>  
                   1 = Interrupt request is enabled  
                   0 = Interrupt request is not enabled
- bit 0         **ADCP2IE:** ADC Pair 2 Conversion Done Interrupt Enable bit<sup>(2)</sup>  
                   1 = Interrupt request is enabled  
                   0 = Interrupt request is not enabled

- Note 1:** This bit is not implemented in dsPIC33FJ06GS102A/202A devices.  
**Note 2:** This bit is not implemented in dsPIC33FJ06GS001/101A devices.

# dsPIC33FJ06GS001/101A/102A/202A and dsPIC33FJ09GS302

## REGISTER 7-19: IPC0: INTERRUPT PRIORITY CONTROL REGISTER 0

|        |           |       |       |       |                           |       |       |
|--------|-----------|-------|-------|-------|---------------------------|-------|-------|
| U-0    | R/W-1     | R/W-0 | R/W-0 | U-0   | R/W-1                     | R/W-0 | R/W-0 |
| —      | T1IP<2:0> |       |       | —     | OC1IP<2:0> <sup>(1)</sup> |       |       |
| bit 15 |           |       |       | bit 8 |                           |       |       |

|       |                           |       |       |       |             |       |       |
|-------|---------------------------|-------|-------|-------|-------------|-------|-------|
| U-0   | R/W-1                     | R/W-0 | R/W-0 | U-0   | R/W-1       | R/W-0 | R/W-0 |
| —     | IC1IP<2:0> <sup>(2)</sup> |       |       | —     | INT0IP<2:0> |       |       |
| bit 7 |                           |       |       | bit 0 |             |       |       |

### Legend:

R = Readable bit

W = Writable bit

U = Unimplemented bit, read as '0'

-n = Value at POR

'1' = Bit is set

'0' = Bit is cleared

x = Bit is unknown

bit 15 **Unimplemented:** Read as '0'

bit 14-12 **T1IP<2:0>:** Timer1 Interrupt Priority bits

111 = Interrupt is Priority 7 (highest priority interrupt)

•

•

•

001 = Interrupt is Priority 1

000 = Interrupt source is disabled

bit 11 **Unimplemented:** Read as '0'

bit 10-8 **OC1IP<2:0>:** Output Compare Channel 1 Interrupt Priority bits<sup>(1)</sup>

111 = Interrupt is Priority 7 (highest priority interrupt)

•

•

•

001 = Interrupt is Priority 1

000 = Interrupt source is disabled

bit 7 **Unimplemented:** Read as '0'

bit 6-4 **IC1IP<2:0>:** Input Capture Channel 1 Interrupt Priority bits<sup>(2)</sup>

111 = Interrupt is Priority 7 (highest priority interrupt)

•

•

•

001 = Interrupt is Priority 1

000 = Interrupt source is disabled

bit 3 **Unimplemented:** Read as '0'

bit 2-0 **INT0IP<2:0>:** External Interrupt 0 Priority bits

111 = Interrupt is Priority 7 (highest priority interrupt)

•

•

•

001 = Interrupt is Priority 1

000 = Interrupt source is disabled

**Note 1:** These bits are not implemented in the dsPIC33FJ06GS001 device.

**Note 2:** These bits are not implemented in dsPIC33FJ06GS001/101A/102A devices.

# dsPIC33FJ06GS001/101A/102A/202A and dsPIC33FJ09GS302

## REGISTER 7-20: IPC1: INTERRUPT PRIORITY CONTROL REGISTER 1

|        |           |       |       |     |     |     |       |
|--------|-----------|-------|-------|-----|-----|-----|-------|
| U-0    | R/W-1     | R/W-0 | R/W-0 | U-0 | U-0 | U-0 | U-0   |
| —      | T2IP<2:0> |       |       | —   | —   | —   | —     |
| bit 15 |           |       |       |     |     |     | bit 8 |

|       |     |     |     |     |     |     |       |
|-------|-----|-----|-----|-----|-----|-----|-------|
| U-0   | U-0 | U-0 | U-0 | U-0 | U-0 | U-0 | U-0   |
| —     | —   | —   | —   | —   | —   | —   | —     |
| bit 7 |     |     |     |     |     |     | bit 0 |

**Legend:**

|                   |                  |  |
|-------------------|------------------|--|
| R = Readable bit  | W = Writable bit | U = Unimplemented bit, read as '0'           |
| -n = Value at POR | '1' = Bit is set | '0' = Bit is cleared      x = Bit is unknown |

- bit 15      **Unimplemented:** Read as '0'
- bit 14-12    **T2IP<2:0>:** Timer2 Interrupt Priority bits
  - 111 = Interrupt is Priority 7 (highest priority interrupt)
  - 
  - 
  - 
  - 001 = Interrupt is Priority 1
  - 000 = Interrupt source is disabled
- bit 11-0    **Unimplemented:** Read as '0'

# dsPIC33FJ06GS001/101A/102A/202A and dsPIC33FJ09GS302

## REGISTER 7-21: IPC2: INTERRUPT PRIORITY CONTROL REGISTER 2

|        |                            |       |       |     |                            |       |       |
|--------|----------------------------|-------|-------|-----|----------------------------|-------|-------|
| U-0    | R/W-1                      | R/W-0 | R/W-0 | U-0 | R/W-1                      | R/W-0 | R/W-0 |
| —      | U1RXIP<2:0> <sup>(1)</sup> |       |       | —   | SPI1IP<2:0> <sup>(1)</sup> |       |       |
| bit 15 |                            |       |       |     |                            |       | bit 8 |

|       |                             |       |       |     |     |     |       |
|-------|-----------------------------|-------|-------|-----|-----|-----|-------|
| U-0   | R/W-1                       | R/W-0 | R/W-0 | U-0 | U-0 | U-0 | U-0   |
| —     | SPI1EIP<2:0> <sup>(1)</sup> |       |       | —   | —   | —   | —     |
| bit 7 |                             |       |       |     |     |     | bit 0 |

**Legend:**

|                   |                  |  |
|-------------------|------------------|--|
| R = Readable bit  | W = Writable bit | U = Unimplemented bit, read as '0'           |
| -n = Value at POR | '1' = Bit is set | '0' = Bit is cleared      x = Bit is unknown |

- bit 15      **Unimplemented:** Read as '0'
- bit 14-12      **U1RXIP<2:0>:** UART1 Receiver Interrupt Priority bits<sup>(1)</sup>
  - 111 = Interrupt is Priority 7 (highest priority interrupt)
  - 
  - 
  - 
  - 001 = Interrupt is Priority 1
  - 000 = Interrupt source is disabled
- bit 11      **Unimplemented:** Read as '0'
- bit 10-8      **SPI1IP<2:0>:** SPI1 Event Interrupt Priority bits<sup>(1)</sup>
  - 111 = Interrupt is Priority 7 (highest priority interrupt)
  - 
  - 
  - 
  - 001 = Interrupt is Priority 1
  - 000 = Interrupt source is disabled
- bit 7      **Unimplemented:** Read as '0'
- bit 6-4      **SPI1EIP<2:0>:** SPI1 Error Interrupt Priority bits<sup>(1)</sup>
  - 111 = Interrupt is Priority 7 (highest priority interrupt)
  - 
  - 
  - 
  - 001 = Interrupt is Priority 1
  - 000 = Interrupt source is disabled
- bit 3-0      **Unimplemented:** Read as '0'

**Note 1:** These bits are not implemented in the dsPIC33FJ06GS001 device.

# dsPIC33FJ06GS001/101A/102A/202A and dsPIC33FJ09GS302

## REGISTER 7-22: IPC3: INTERRUPT PRIORITY CONTROL REGISTER 3

|        |     |     |     |     |     |     |       |
|--------|-----|-----|-----|-----|-----|-----|-------|
| U-0    | U-0 | U-0 | U-0 | U-0 | U-0 | U-0 | U-0   |
| —      | —   | —   | —   | —   | —   | —   | —     |
| bit 15 |     |     |     |     |     |     | bit 8 |

|       |           |       |       |     |                            |       |       |
|-------|-----------|-------|-------|-----|----------------------------|-------|-------|
| U-0   | R/W-1     | R/W-0 | R/W-0 | U-0 | R/W-1                      | R/W-0 | R/W-0 |
| —     | ADIP<2:0> |       |       | —   | U1TXIP<2:0> <sup>(1)</sup> |       |       |
| bit 7 |           |       |       |     |                            | bit 0 |       |

### Legend:

R = Readable bit                      W = Writable bit                      U = Unimplemented bit, read as '0'  
 -n = Value at POR                      '1' = Bit is set                      '0' = Bit is cleared                      x = Bit is unknown

- bit 15-7            **Unimplemented:** Read as '0'
- bit 6-4            **ADIP<2:0>:** ADC1 Conversion Complete Interrupt Priority bits
  - 111 = Interrupt is Priority 7 (highest priority interrupt)
  - 
  - 
  - 
  - 001 = Interrupt is Priority 1
  - 000 = Interrupt source is disabled
- bit 3              **Unimplemented:** Read as '0'
- bit 2-0            **U1TXIP<2:0>:** UART1 Transmitter Interrupt Priority bits<sup>(1)</sup>
  - 111 = Interrupt is Priority 7 (highest priority interrupt)
  - 
  - 
  - 
  - 001 = Interrupt is Priority 1
  - 000 = Interrupt source is disabled

**Note 1:** These bits are not implemented in the dsPIC33FJ06GS001 device.

# dsPIC33FJ06GS001/101A/102A/202A and dsPIC33FJ09GS302

## REGISTER 7-23: IPC4: INTERRUPT PRIORITY CONTROL REGISTER 4

|        |           |       |       |       |                           |       |       |
|--------|-----------|-------|-------|-------|---------------------------|-------|-------|
| U-0    | R/W-1     | R/W-0 | R/W-0 | U-0   | R/W-1                     | R/W-0 | R/W-0 |
| —      | CNIP<2:0> |       |       | —     | AC1IP<2:0> <sup>(1)</sup> |       |       |
| bit 15 |           |       |       | bit 8 |                           |       |       |

|       |              |       |       |       |              |       |       |
|-------|--------------|-------|-------|-------|--------------|-------|-------|
| U-0   | R/W-1        | R/W-0 | R/W-0 | U-0   | R/W-1        | R/W-0 | R/W-0 |
| —     | MI2C1IP<2:0> |       |       | —     | SI2C1IP<2:0> |       |       |
| bit 7 |              |       |       | bit 0 |              |       |       |

### Legend:

R = Readable bit  
-n = Value at POR

W = Writable bit  
'1' = Bit is set

U = Unimplemented bit, read as '0'  
'0' = Bit is cleared

x = Bit is unknown

- bit 15      **Unimplemented:** Read as '0'
- bit 14-12    **CNIP<2:0>:** Change Notification Interrupt Priority bits  
               111 = Interrupt is Priority 7 (highest priority interrupt)  
               •  
               •  
               •  
               001 = Interrupt is Priority 1  
               000 = Interrupt source is disabled
- bit 11      **Unimplemented:** Read as '0'
- bit 10-8     **AC1IP<2:0>:** Analog Comparator 1 Interrupt Priority bits<sup>(1)</sup>  
               111 = Interrupt is Priority 7 (highest priority interrupt)  
               •  
               •  
               •  
               001 = Interrupt is Priority 1  
               000 = Interrupt source is disabled
- bit 7        **Unimplemented:** Read as '0'
- bit 6-4     **MI2C1IP<2:0>:** I2C1 Master Events Interrupt Priority bits  
               111 = Interrupt is Priority 7 (highest priority interrupt)  
               •  
               •  
               •  
               001 = Interrupt is Priority 1  
               000 = Interrupt source is disabled
- bit 3        **Unimplemented:** Read as '0'
- bit 2-0     **SI2C1IP<2:0>:** I2C1 Slave Events Interrupt Priority bits  
               111 = Interrupt is Priority 7 (highest priority interrupt)  
               •  
               •  
               •  
               001 = Interrupt is Priority 1  
               000 = Interrupt source is disabled

**Note 1:** These bits are not implemented in dsPIC33FJ06GS101A/102A devices.

# dsPIC33FJ06GS001/101A/102A/202A and dsPIC33FJ09GS302

## REGISTER 7-24: IPC5: INTERRUPT PRIORITY CONTROL REGISTER 5

|        |     |     |     |     |     |       |     |
|--------|-----|-----|-----|-----|-----|-------|-----|
| U-0    | U-0 | U-0 | U-0 | U-0 | U-0 | U-0   | U-0 |
| —      | —   | —   | —   | —   | —   | —     | —   |
| bit 15 |     |     |     |     |     | bit 8 |     |

|       |     |     |     |     |             |       |       |
|-------|-----|-----|-----|-----|-------------|-------|-------|
| U-0   | U-0 | U-0 | U-0 | U-0 | R/W-1       | R/W-0 | R/W-0 |
| —     | —   | —   | —   | —   | INT1IP<2:0> |       |       |
| bit 7 |     |     |     |     | bit 0       |       |       |

### Legend:

R = Readable bit                      W = Writable bit                      U = Unimplemented bit, read as '0'  
 -n = Value at POR                      '1' = Bit is set                      '0' = Bit is cleared                      x = Bit is unknown

bit 15-3            **Unimplemented:** Read as '0'  
 bit 2-0            **INT1IP<2:0>:** External Interrupt 1 Priority bits  
                     111 = Interrupt is Priority 7 (highest priority interrupt)  
                     •  
                     •  
                     •  
                     001 = Interrupt is Priority 1  
                     000 = Interrupt source is disabled

## REGISTER 7-25: IPC7: INTERRUPT PRIORITY CONTROL REGISTER 7

|        |     |     |     |     |     |       |     |
|--------|-----|-----|-----|-----|-----|-------|-----|
| U-0    | U-1 | U-0 | U-0 | U-0 | U-0 | U-0   | U-0 |
| —      | —   | —   | —   | —   | —   | —     | —   |
| bit 15 |     |     |     |     |     | bit 8 |     |

|       |             |       |       |     |       |     |     |
|-------|-------------|-------|-------|-----|-------|-----|-----|
| U-0   | R/W-1       | R/W-0 | R/W-0 | U-0 | U-0   | U-0 | U-0 |
| —     | INT2IP<2:0> |       |       | —   | —     | —   | —   |
| bit 7 |             |       |       |     | bit 0 |     |     |

### Legend:

R = Readable bit                      W = Writable bit                      U = Unimplemented bit, read as '0'  
 -n = Value at POR                      '1' = Bit is set                      '0' = Bit is cleared                      x = Bit is unknown

bit 15-7            **Unimplemented:** Read as '0'  
 bit 6-4            **INT2IP<2:0>:** External Interrupt 2 Priority bits  
                     111 = Interrupt is Priority 7 (highest priority interrupt)  
                     •  
                     •  
                     •  
                     001 = Interrupt is Priority 1  
                     000 = Interrupt source is disabled  
 bit 3-0            **Unimplemented:** Read as '0'



# dsPIC33FJ06GS001/101A/102A/202A and dsPIC33FJ09GS302

## REGISTER 7-26: IPC14: INTERRUPT PRIORITY CONTROL REGISTER 14

|        |     |     |     |     |     |     |       |
|--------|-----|-----|-----|-----|-----|-----|-------|
| U-0    | U-0 | U-0 | U-0 | U-0 | U-0 | U-0 | U-0   |
| —      | —   | —   | —   | —   | —   | —   | —     |
| bit 15 |     |     |     |     |     |     | bit 8 |

|       |             |       |       |     |     |     |       |
|-------|-------------|-------|-------|-----|-----|-----|-------|
| U-0   | R/W-1       | R/W-0 | R/W-0 | U-0 | U-0 | U-0 | U-0   |
| —     | PSEMIP<2:0> |       |       | —   | —   | —   | —     |
| bit 7 |             |       |       |     |     |     | bit 0 |

### Legend:

R = Readable bit                      W = Writable bit                      U = Unimplemented bit, read as '0'  
-n = Value at POR                      '1' = Bit is set                      '0' = Bit is cleared                      x = Bit is unknown

bit 15-7            **Unimplemented:** Read as '0'  
bit 6-4            **PSEMIP<2:0>:** PWM Special Event Match Interrupt Priority bits  
                    111 = Interrupt is Priority 7 (highest priority interrupt)  
                    •  
                    •  
                    •  
                    001 = Interrupt is Priority 1  
                    000 = Interrupt source is disabled  
bit 3-0            **Unimplemented:** Read as '0'

## REGISTER 7-27: IPC16: INTERRUPT PRIORITY CONTROL REGISTER 16

|        |     |     |     |     |     |     |       |
|--------|-----|-----|-----|-----|-----|-----|-------|
| U-0    | U-0 | U-0 | U-0 | U-0 | U-0 | U-0 | U-0   |
| —      | —   | —   | —   | —   | —   | —   | —     |
| bit 15 |     |     |     |     |     |     | bit 8 |

|       |                           |       |       |     |     |     |       |
|-------|---------------------------|-------|-------|-----|-----|-----|-------|
| U-0   | R/W-1                     | R/W-0 | R/W-0 | U-0 | U-0 | U-0 | U-0   |
| —     | U1EIP<2:0> <sup>(1)</sup> |       |       | —   | —   | —   | —     |
| bit 7 |                           |       |       |     |     |     | bit 0 |

### Legend:

R = Readable bit                      W = Writable bit                      U = Unimplemented bit, read as '0'  
-n = Value at POR                      '1' = Bit is set                      '0' = Bit is cleared                      x = Bit is unknown

bit 15-7            **Unimplemented:** Read as '0'  
bit 6-4            **U1EIP<2:0>:** UART1 Error Interrupt Priority bits<sup>(1)</sup>  
                    111 = Interrupt is Priority 7 (highest priority interrupt)  
                    •  
                    •  
                    •  
                    001 = Interrupt is Priority 1  
                    000 = Interrupt source is disabled  
bit 3-0            **Unimplemented:** Read as '0'

**Note 1:** These bits are not implemented in the dsPIC33FJ06GS001 device.

# dsPIC33FJ06GS001/101A/102A/202A and dsPIC33FJ09GS302

## REGISTER 7-28: IPC20: INTERRUPT PRIORITY CONTROL REGISTER 20

|        |     |     |     |     |     |     |       |
|--------|-----|-----|-----|-----|-----|-----|-------|
| U-0    | U-0 | U-0 | U-0 | U-0 | U-0 | U-0 | U-0   |
| —      | —   | —   | —   | —   | —   | —   | —     |
| bit 15 |     |     |     |     |     |     | bit 8 |

|       |     |     |     |     |             |       |       |
|-------|-----|-----|-----|-----|-------------|-------|-------|
| U-0   | U-0 | U-0 | U-0 | U-0 | R/W-1       | R/W-0 | R/W-0 |
| —     | —   | —   | —   | —   | JTAGIP<2:0> |       |       |
| bit 7 |     |     |     |     | bit 0       |       |       |

### Legend:

R = Readable bit

W = Writable bit

U = Unimplemented bit, read as '0'

-n = Value at POR

'1' = Bit is set

'0' = Bit is cleared

x = Bit is unknown

bit 15-3

**Unimplemented:** Read as '0'

bit 2-0

**JTAGIP<2:0>:** JTAG Interrupt Priority bits

111 = Interrupt is Priority 7 (highest priority interrupt)

•  
•  
•

001 = Interrupt is Priority 1

000 = Interrupt source is disabled

# dsPIC33FJ06GS001/101A/102A/202A and dsPIC33FJ09GS302

## REGISTER 7-29: IPC23: INTERRUPT PRIORITY CONTROL REGISTER 23

|        |                       |       |       |       |             |       |       |
|--------|-----------------------|-------|-------|-------|-------------|-------|-------|
| U-0    | R/W-1                 | R/W-0 | R/W-0 | U-0   | R/W-1       | R/W-0 | R/W-0 |
| —      | PWM2IP <sup>(1)</sup> |       |       | —     | PWM1IP<2:0> |       |       |
| bit 15 |                       |       |       | bit 8 |             |       |       |

|       |     |     |     |     |     |     |       |
|-------|-----|-----|-----|-----|-----|-----|-------|
| U-0   | U-0 | U-0 | U-0 | U-0 | U-0 | U-0 | U-0   |
| —     | —   | —   | —   | —   | —   | —   | —     |
| bit 7 |     |     |     |     |     |     | bit 0 |

### Legend:

R = Readable bit

W = Writable bit

U = Unimplemented bit, read as '0'

-n = Value at POR

'1' = Bit is set

'0' = Bit is cleared

x = Bit is unknown

bit 15 **Unimplemented:** Read as '0'

bit 14-12 **PWM2IP<2:0>:** PWM2 Interrupt Priority bits<sup>(1)</sup>

111 = Interrupt is Priority 7 (highest priority)

- 
- 
- 

001 = Interrupt is Priority 1

000 = Interrupt source is disabled

bit 11 **Unimplemented:** Read as '0'

bit 10-8 **PWM1IP<2:0>:** PWM1 Interrupt Priority bits

111 = Interrupt is Priority 7 (highest priority)

- 
- 
- 

001 = Interrupt is Priority 1

000 = Interrupt source is disabled

bit 7-0 **Unimplemented:** Read as '0'

**Note 1:** These bits are not implemented in dsPIC33FJ06GS001/101A devices.

# dsPIC33FJ06GS001/101A/102A/202A and dsPIC33FJ09GS302

## REGISTER 7-30: IPC24: INTERRUPT PRIORITY CONTROL REGISTER 24

|        |     |     |     |     |     |     |       |
|--------|-----|-----|-----|-----|-----|-----|-------|
| U-0    | U-0 | U-0 | U-0 | U-0 | U-0 | U-0 | U-0   |
| —      | —   | —   | —   | —   | —   | —   | —     |
| bit 15 |     |     |     |     |     |     | bit 8 |

|       |                       |       |       |     |     |     |       |
|-------|-----------------------|-------|-------|-----|-----|-----|-------|
| U-0   | R/W-1                 | R/W-0 | R/W-0 | U-0 | U-0 | U-0 | U-0   |
| —     | PWM4IP <sup>(1)</sup> |       |       | —   | —   | —   | —     |
| bit 7 |                       |       |       |     |     |     | bit 0 |

### Legend:

R = Readable bit                      W = Writable bit                      U = Unimplemented bit, read as '0'  
 -n = Value at POR                      '1' = Bit is set                      '0' = Bit is cleared                      x = Bit is unknown

- bit 15-7            **Unimplemented:** Read as '0'
- bit 6-4            **PWM4IP<2:0>:** PWM4 Interrupt Priority bits<sup>(1)</sup>
  - 111 = Interrupt is Priority 7 (highest priority)
  - 
  - 
  - 
  - 001 = Interrupt is Priority 1
  - 000 = Interrupt source is disabled
- bit 3-0            **Unimplemented:** Read as '0'

**Note 1:** These bits are not implemented in dsPIC33FJ06GS102A/202A devices.

# dsPIC33FJ06GS001/101A/102A/202A and dsPIC33FJ09GS302

## REGISTER 7-31: IPC25: INTERRUPT PRIORITY CONTROL REGISTER 25

|        |                           |       |       |       |     |     |     |
|--------|---------------------------|-------|-------|-------|-----|-----|-----|
| U-0    | R/W-1                     | R/W-0 | R/W-0 | U-0   | U-0 | U-0 | U-0 |
| —      | AC2IP<2:0> <sup>(1)</sup> |       |       | —     | —   | —   | —   |
| bit 15 |                           |       |       | bit 8 |     |     |     |

|       |     |     |     |       |     |     |     |
|-------|-----|-----|-----|-------|-----|-----|-----|
| U-0   | U-0 | U-0 | U-0 | U-0   | U-0 | U-0 | U-0 |
| —     | —   | —   | —   | —     | —   | —   | —   |
| bit 7 |     |     |     | bit 0 |     |     |     |

### Legend:

R = Readable bit

W = Writable bit

U = Unimplemented bit, read as '0'

-n = Value at POR

'1' = Bit is set

'0' = Bit is cleared

x = Bit is unknown

bit 15      **Unimplemented:** Read as '0'

bit 14-12    **AC2IP<2:0>:** Analog Comparator 2 Interrupt Priority bits<sup>(1)</sup>

111 = Interrupt is Priority 7 (highest priority)

•

•

•

001 = Interrupt is Priority 1

000 = Interrupt source is disabled

bit 11-0    **Unimplemented:** Read as '0'

**Note 1:** These bits are not implemented in dsPIC33FJ06GS101A/102A devices.

# dsPIC33FJ06GS001/101A/102A/202A and dsPIC33FJ09GS302

## REGISTER 7-32: IPC27: INTERRUPT PRIORITY CONTROL REGISTER 27

|        |              |       |       |       |              |       |       |
|--------|--------------|-------|-------|-------|--------------|-------|-------|
| U-0    | R/W-1        | R/W-0 | R/W-0 | U-0   | R/W-1        | R/W-0 | R/W-0 |
| —      | ADCP1IP<2:0> |       |       | —     | ADCP0IP<2:0> |       |       |
| bit 15 |              |       |       | bit 8 |              |       |       |

|       |     |     |     |       |     |     |     |
|-------|-----|-----|-----|-------|-----|-----|-----|
| U-0   | U-0 | U-0 | U-0 | U-0   | U-0 | U-0 | U-0 |
| —     | —   | —   | —   | —     | —   | —   | —   |
| bit 7 |     |     |     | bit 0 |     |     |     |

**Legend:**

|                   |                  |  |
|-------------------|------------------|--|
| R = Readable bit  | W = Writable bit | U = Unimplemented bit, read as '0'           |
| -n = Value at POR | '1' = Bit is set | '0' = Bit is cleared      x = Bit is unknown |

- bit 15      **Unimplemented:** Read as '0'
- bit 14-12    **ADCP1IP<2:0>:** ADC Pair 1 Conversion Done Interrupt Priority bits
  - 111 = Interrupt is Priority 7 (highest priority interrupt)
  - 
  - 
  - 
  - 001 = Interrupt is Priority 1
  - 000 = Interrupt source is disabled
- bit 11      **Unimplemented:** Read as '0'
- bit 10-8    **ADCP0IP<2:0>:** ADC Pair 0 Conversion Done Interrupt Priority bits
  - 111 = Interrupt is Priority 7 (highest priority interrupt)
  - 
  - 
  - 
  - 001 = Interrupt is Priority 1
  - 000 = Interrupt source is disabled
- bit 7-0     **Unimplemented:** Read as '0'

# dsPIC33FJ06GS001/101A/102A/202A and dsPIC33FJ09GS302

## REGISTER 7-33: IPC28: INTERRUPT PRIORITY CONTROL REGISTER 28

|        |     |     |     |     |     |     |       |
|--------|-----|-----|-----|-----|-----|-----|-------|
| U-0    | U-0 | U-0 | U-0 | U-0 | U-0 | U-0 | U-0   |
| —      | —   | —   | —   | —   | —   | —   | —     |
| bit 15 |     |     |     |     |     |     | bit 8 |

|       |                             |       |       |       |                             |       |       |
|-------|-----------------------------|-------|-------|-------|-----------------------------|-------|-------|
| U-0   | R/W-1                       | R/W-0 | R/W-0 | U-0   | R/W-1                       | R/W-0 | R/W-0 |
| —     | ADCP3IP<2:0> <sup>(1)</sup> |       |       | —     | ADCP2IP<2:0> <sup>(2)</sup> |       |       |
| bit 7 |                             |       |       | bit 0 |                             |       |       |

### Legend:

R = Readable bit                      W = Writable bit                      U = Unimplemented bit, read as '0'  
 -n = Value at POR                      '1' = Bit is set                      '0' = Bit is cleared                      x = Bit is unknown

bit 15-7                      **Unimplemented:** Read as '0'

bit 6-4                      **ADCP3IP<2:0>:** ADC Pair 3 Conversion Done Interrupt Priority bits<sup>(1)</sup>

111 = Interrupt is Priority 7 (highest priority interrupt)

•

•

•

001 = Interrupt is Priority 1

000 = Interrupt source is disabled

bit 3                      **Unimplemented:** Read as '0'

bit 2-0                      **ADCP2IP<2:0>:** ADC Pair 2 Conversion Done Interrupt Priority bits<sup>(2)</sup>

111 = Interrupt is Priority 7 (highest priority interrupt)

•

•

•

001 = Interrupt is Priority 1

000 = Interrupt source is disabled

**Note 1:** These bits are not implemented in dsPIC33FJ06GS102A/202A devices.

**2:** These bits are not implemented in dsPIC33FJ06GS001/101A devices.

# dsPIC33FJ06GS001/101A/102A/202A and dsPIC33FJ09GS302

## REGISTER 7-34: IPC29: INTERRUPT PRIORITY CONTROL REGISTER 29

|        |     |     |     |     |     |       |     |
|--------|-----|-----|-----|-----|-----|-------|-----|
| U-0    | U-0 | U-0 | U-0 | U-0 | U-0 | U-0   | U-0 |
| —      | —   | —   | —   | —   | —   | —     | —   |
| bit 15 |     |     |     |     |     | bit 8 |     |

|       |     |     |     |     |              |       |       |
|-------|-----|-----|-----|-----|--------------|-------|-------|
| U-0   | U-0 | U-0 | U-0 | U-0 | R/W-1        | R/W-0 | R/W-0 |
| —     | —   | —   | —   | —   | ADCP6IP<2:0> |       |       |
| bit 7 |     |     |     |     | bit 0        |       |       |

### Legend:

|                   |                  |  |
|-------------------|------------------|--|
| R = Readable bit  | W = Writable bit | U = Unimplemented bit, read as '0'           |
| -n = Value at POR | '1' = Bit is set | '0' = Bit is cleared      x = Bit is unknown |

bit 15-3      **Unimplemented:** Read as '0'

bit 2-0      **ADCP6IP<2:0>:** ADC Pair 6 Conversion Done Interrupt Priority bits

111 = Interrupt is Priority 7 (highest priority interrupt)

- 
- 
- 

001 = Interrupt is Priority 1

000 = Interrupt source is disabled



# dsPIC33FJ06GS001/101A/102A/202A and dsPIC33FJ09GS302

## REGISTER 7-35: INTTREG: INTERRUPT CONTROL AND STATUS REGISTER

|        |     |     |     |          |     |     |     |
|--------|-----|-----|-----|----------|-----|-----|-----|
| U-0    | U-0 | U-0 | U-0 | R-0      | R-0 | R-0 | R-0 |
| —      | —   | —   | —   | ILR<3:0> |     |     |     |
| bit 15 |     |     |     | bit 8    |     |     |     |

|       |             |     |     |     |     |     |       |
|-------|-------------|-----|-----|-----|-----|-----|-------|
| U-0   | R-0         | R-0 | R-0 | R-0 | R-0 | R-0 | R-0   |
| —     | VECNUM<6:0> |     |     |     |     |     |       |
| bit 7 |             |     |     |     |     |     | bit 0 |

### Legend:

R = Readable bit

W = Writable bit

U = Unimplemented bit, read as '0'

-n = Value at POR

'1' = Bit is set

'0' = Bit is cleared

x = Bit is unknown

bit 15-12 **Unimplemented:** Read as '0'

bit 11-8 **ILR<3:0>:** New CPU Interrupt Priority Level bits

1111 = CPU Interrupt Priority Level is 15

•

•

•

0001 = CPU Interrupt Priority Level is 1

0000 = CPU Interrupt Priority Level is 0

bit 7 **Unimplemented:** Read as '0'

bit 6-0 **VECNUM<6:0>:** Vector Number of Pending Interrupt bits

0111111 = Interrupt vector pending is Number 135

•

•

•

0000001 = Interrupt vector pending is Number 9

0000000 = Interrupt vector pending is Number 8

## 7.4 Interrupt Setup Procedures

### 7.4.1 INITIALIZATION

Complete the following steps to configure an interrupt source at initialization:

1. Set the NSTDIS bit (INTCON1<15>) if nested interrupts are not desired.
2. Select the user-assigned priority level for the interrupt source by writing the control bits in the appropriate IPCx register. The priority level will depend on the specific application and type of interrupt source. If multiple priority levels are not desired, the IPCx register control bits for all enabled interrupt sources can be programmed to the same non-zero value.

**Note:** At a device Reset, the IPCx registers are initialized such that all user interrupt sources are assigned to Priority Level 4.

3. Clear the interrupt flag status bit associated with the peripheral in the associated IFSx register.
4. Enable the interrupt source by setting the interrupt enable control bit associated with the source in the appropriate IECx register.

### 7.4.2 INTERRUPT SERVICE ROUTINE

The method used to declare an ISR and initialize the IVT with the correct vector address depends on the programming language (C or assembler) and the language development toolsuite used to develop the application.

In general, the user application must clear the interrupt flag in the appropriate IFSx register for the source of the interrupt that the ISR handles; otherwise, the program will re-enter the ISR immediately after exiting the routine. If the ISR is coded in assembly language, it must be terminated using a `RETFIE` instruction to unstack the saved PC value, SRL value and the old CPU priority level.

### 7.4.3 TRAP SERVICE ROUTINE

A Trap Service Routine (TSR) is coded like an ISR, except that the appropriate trap status flag in the INTCON1 register must be cleared to avoid re-entry into the TSR.

### 7.4.4 INTERRUPT DISABLE

The following steps outline the procedure to disable all user interrupts:

1. Push the current SR value onto the software stack using the `PUSH` instruction.
2. Force the CPU to Priority Level 7 by inclusive ORing the value, 0xE0 with SRL.

To enable user interrupts, the `POP` instruction can be used to restore the previous SR value.

**Note:** Only user interrupts with a priority level of 7 or lower can be disabled. Trap sources (Level 8-Level 15) cannot be disabled.

The `DISI` instruction provides a convenient way to disable interrupts of Priority Levels 1-6 for a fixed period of time. Level 7 interrupt sources are not disabled by the `DISI` instruction.

8.0 OSCILLATOR CONFIGURATION

**Note 1:** This data sheet summarizes the features of the dsPIC33FJ06GS001/101A/102A/202A and dsPIC33FJ09GS302 families of devices. It is not intended to be a comprehensive reference source. To complement the information in this data sheet, refer to **Section 42. "Oscillator (Part IV)"** (DS70307) in the "dsPIC33F/PIC24H Family Reference Manual", which is available from the Microchip website ([www.microchip.com](http://www.microchip.com)).

**2:** Some registers and associated bits described in this section may not be available on all devices. Refer to **Section 4.0 "Memory Organization"** in this data sheet for device-specific register and bit information.

The oscillator system provides:

- External and internal oscillator options as clock sources
- An on-chip Phase Lock Loop (PLL) to scale the internal operating frequency to the required system clock frequency
- An internal FRC oscillator that can also be used with the PLL, thereby allowing full-speed operation without any external clock generation hardware
- Clock switching between various clock sources
- Programmable clock postscaler for system power savings
- A Fail-Safe Clock Monitor (FSCM) that detects clock failure and takes fail-safe measures
- An Oscillator Control register (OSCCON)
- Nonvolatile Configuration bits for main oscillator selection
- An auxiliary PLL for ADC and PWM

A simplified diagram of the oscillator system is shown in **Figure 8-1**.

FIGURE 8-1: OSCILLATOR SYSTEM DIAGRAM



## 8.1 CPU Clocking System

The devices provide six system clock options:

- Fast RC (FRC) Oscillator
- FRC Oscillator with PLL
- Primary (XT, HS or EC) Oscillator
- Primary Oscillator with PLL
- Low-Power RC (LPRC) Oscillator
- FRC Oscillator with Postscaler

### 8.1.1 SYSTEM CLOCK SOURCES

The Fast RC (FRC) internal oscillator runs at a nominal frequency of 7.37 MHz. User software can tune the FRC frequency. User software can optionally specify a factor (ranging from 1:2 to 1:256) by which the FRC clock frequency is divided. This factor is selected using the FRCDIV<2:0> (CLKDIV<10:8>) bits.

The primary oscillator can use one of the following as its clock source:

- XT (Crystal): Crystals and ceramic resonators in the range of 3 MHz to 10 MHz. The crystal is connected to the OSC1 and OSC2 pins.
- HS (High-Speed Crystal): Crystals in the range of 10 MHz to 32 MHz. The crystal is connected to the OSC1 and OSC2 pins.
- EC (External Clock): The external clock signal is directly applied to the OSC1 pin.

The LPRC internal oscillator runs at a nominal frequency of 32.768 kHz. It is also used as a reference clock by the Watchdog Timer (WDT) and Fail-Safe Clock Monitor (FSCM).

The clock signals generated by the FRC and primary oscillators can be optionally applied to an on-chip Phase Lock Loop (PLL) to provide a wide range of

output frequencies for device operation. PLL configuration is described in [Section 8.1.3 “PLL Configuration”](#).

The FRC frequency depends on the FRC accuracy (see [Table 25-20](#)) and the value of the FRC Oscillator Tuning register (see [Register 8-4](#)).

### 8.1.2 SYSTEM CLOCK SELECTION

The oscillator source used at a device Power-on Reset event is selected using Configuration bit settings. The Oscillator Configuration bit settings are located in the Configuration registers in the program memory. (Refer to [Section 22.1 “Configuration Bits”](#) for further details.) The initial Oscillator Selection Configuration bits, FNOSC<2:0> (FOSCSEL<2:0>), and the Primary Oscillator Mode Select Configuration bits, POSCMD<1:0> (FOSC<1:0>), select the oscillator source that is used at a Power-on Reset. The FRC primary oscillator is the default (unprogrammed) selection.

The Configuration bits allow users to choose among 12 different clock modes, shown in [Table 8-1](#).

The output of the oscillator (or the output of the PLL if a PLL mode has been selected), FOSC, is divided by 2 to generate the device instruction clock (FCY) and the peripheral clock time base (FP). FCY defines the operating speed of the device and speeds up to 40 MHz are supported by the device architecture.

Instruction execution speed or device operating frequency, FCY, is given by [Equation 8-1](#).

#### EQUATION 8-1: DEVICE OPERATING FREQUENCY

$$FCY = FOSC/2$$

**TABLE 8-1: CONFIGURATION BIT VALUES FOR CLOCK SELECTION**

| Oscillator Mode                                 | Oscillator Source | POSCMD<1:0> | FNOSC<2:0> | See Note    |
|---|-------------------|-------------|------------|-------------|
| Fast RC Oscillator with Divide-by-N (FRCDIVN)   | Internal          | xx          | 111        | <b>1, 2</b> |
| Fast RC Oscillator with Divide-by-16 (FRCDIV16) | Internal          | xx          | 110        | <b>1</b>    |
| Low-Power RC Oscillator (LPRC)                  | Internal          | xx          | 101        | <b>1</b>    |
| Reserved  | Reserved          | xx          | 100        | —           |
| Primary Oscillator (HS) with PLL (HSPLL)        | Primary           | 10          | 011        | —           |
| Primary Oscillator (XT) with PLL (XTPLL)        | Primary           | 01          | 011        | —           |
| Primary Oscillator (EC) with PLL (ECPLL)        | Primary           | 00          | 011        | <b>1</b>    |
| Primary Oscillator (HS)                         | Primary           | 10          | 010        | —           |
| Primary Oscillator (XT)                         | Primary           | 01          | 010        | —           |
| Primary Oscillator (EC)                         | Primary           | 00          | 010        | <b>1</b>    |
| Fast RC Oscillator with PLL (FRCPLL)            | Internal          | xx          | 001        | <b>1</b>    |
| Fast RC Oscillator (FRC)                        | Internal          | xx          | 000        | <b>1</b>    |

**Note 1:** OSC2 pin function is determined by the OSCIOFNC Configuration bit.

**2:** This is the default oscillator mode for an unprogrammed (erased) device.

8.1.3 PLL CONFIGURATION

The primary oscillator and internal FRC oscillator can optionally use an on-chip PLL to obtain higher speeds of operation. The PLL provides significant flexibility in selecting the device operating speed. A block diagram of the PLL is shown in Figure 8-2.

The output of the primary oscillator or FRC, denoted as 'FIN', is divided down by a prescale factor (N1) of 2, 3, ... or 33 before being provided to the PLL's Voltage Controlled Oscillator (VCO). The input to the VCO must be selected in the range of 0.8 MHz to 8 MHz. The prescale factor, 'N1', is selected using the PLLPRE<4:0> bits (CLKDIV<4:0>).

The PLL Feedback Divisor, selected using the PLLDIV<8:0> bits (PLLFB<8:0>), provides a factor, 'M', by which the input to the VCO is multiplied. This factor must be selected such that the resulting VCO output frequency is in the range of 100 MHz to 200 MHz.

The VCO output is further divided by a postscale factor, 'N2'. This factor is selected using the PLLPOST<1:0> bits (CLKDIV<7:6>). 'N2' can be either 2, 4, or 8, and must be selected such that the PLL output frequency (Fosc) is in the range of 12.5 MHz to 80 MHz, which generates device operating speeds of 6.25-40 MIPS.

For a primary oscillator or FRC oscillator, output 'FIN', the PLL output 'Fosc', is given by Equation 8-2.

EQUATION 8-2: Fosc CALCULATION

$$F_{OSC} = F_{IN} * \left( \frac{M}{N1 * N2} \right)$$

For example, suppose a 10 MHz crystal is being used with the selected oscillator mode of XT with PLL (see Equation 8-3).

- If PLLPRE<4:0> = 0, then N1 = 2. This yields a VCO input of 10/2 = 5 MHz, which is within the acceptable range of 0.8-8 MHz.
- If PLLDIV<8:0> = 0x1E, then M = 32. This yields a VCO output of 5 x 32 = 160 MHz, which is within the 100-200 MHz ranged needed.

- If PLLPOST<1:0> = 00, then N2 = 2. This provides a Fosc of 160/2 = 80 MHz. The resultant device operating speed is 80/2 = 40 MIPS.

EQUATION 8-3: XT WITH PLL MODE EXAMPLE

$$F_{CY} = \frac{F_{OSC}}{2} = \frac{1}{2} \left( \frac{10000000 * 32}{2 * 2} \right) = 40 \text{ MIPS}$$

8.2 Auxiliary Clock Generation

The auxiliary clock generation is used for a peripherals that need to operate at a frequency unrelated to the system clock, such as a PWM or ADC.

The primary oscillator and internal FRC oscillator sources can be used with an auxiliary PLL to obtain the auxiliary clock. The auxiliary PLL has a fixed 16x multiplication factor.

The auxiliary clock has the following configuration restrictions:

- For proper PWM operation, auxiliary clock generation must be configured for 120 MHz (see Parameter OS56 in Table 25-18 in Section 25.0 "Electrical Characteristics"). If a slower frequency is desired, the PWM Input Clock Prescaler (Divider) Select bits (PCLKDIV<2:0>) should be used.
- To achieve 1.04 ns PWM resolution, the auxiliary clock must use the 16x auxiliary PLL (APLL). All other clock sources will have a minimum PWM resolution of 8 ns.
- If the primary PLL is used as a source for the auxiliary clock, the primary PLL should be configured up to a maximum operation of 30 MIPS or less

8.3 Reference Clock Generation

The reference clock output logic provides the user with the ability to output a clock signal based on the system clock or the crystal oscillator on a device pin. The user application can specify a wide range of clock scaling prior to outputting the reference clock.

FIGURE 8-2: dsPIC33FJ06GS001/101A/102A/202A and dsPIC33FJ09GS302 PLL BLOCK DIAGRAM



# dsPIC33FJ06GS001/101A/102A/202A and dsPIC33FJ09GS302

## 8.4 Oscillator Control Registers

### REGISTER 8-1: OSCCON: OSCILLATOR CONTROL REGISTER<sup>(1,3)</sup>

|        |           |     |     |       |                          |       |       |
|--------|-----------|-----|-----|-------|--------------------------|-------|-------|
| U-0    | R-0       | R-0 | R-0 | U-0   | R/W-y                    | R/W-y | R/W-y |
| —      | COSC<2:0> |     |     | —     | NOSC<2:0> <sup>(2)</sup> |       |       |
| bit 15 |           |     |     | bit 8 |                          |       |       |

|         |        |      |     |       |     |     |       |
|---------|--------|------|-----|-------|-----|-----|-------|
| R/W-0   | R/W-0  | R-0  | U-0 | R/C-0 | U-0 | U-0 | R/W-0 |
| CLKLOCK | IOLOCK | LOCK | —   | CF    | —   | —   | OSWEN |
| bit 7   |        |      |     |       |     |     | bit 0 |

|                   |  |                                    |                    |
|-------------------|--|------------------------------------|--------------------|
| <b>Legend:</b>    | y = Value set from Configuration bits on POR |                                    |                    |
| R = Readable bit  | W = Writable bit                             | U = Unimplemented bit, read as '0' |                    |
| -n = Value at POR | '1' = Bit is set                             | '0' = Bit is cleared               | x = Bit is unknown |

bit 15 **Unimplemented:** Read as '0'

bit 14-12 **COSC<2:0>:** Current Oscillator Selection bits (read-only)

- 111 = Fast RC Oscillator (FRC) with divide-by-n
- 110 = Fast RC Oscillator (FRC) with divide-by-16
- 101 = Low-Power RC Oscillator (LPRC)
- 100 = Reserved
- 011 = Primary Oscillator (XT, HS, EC) with PLL
- 010 = Primary Oscillator (XT, HS, EC)
- 001 = Fast RC Oscillator (FRC) with PLL
- 000 = Fast RC Oscillator (FRC)

bit 11 **Unimplemented:** Read as '0'

bit 10-8 **NOSC<2:0>:** New Oscillator Selection bits<sup>(2)</sup>

- 111 = Fast RC Oscillator (FRC) with divide-by-n
- 110 = Fast RC Oscillator (FRC) with divide-by-16
- 101 = Low-Power RC Oscillator (LPRC)
- 100 = Reserved
- 011 = Primary Oscillator (XT, HS, EC) with PLL
- 010 = Primary Oscillator (XT, HS, EC)
- 001 = Fast RC Oscillator (FRC) with PLL
- 000 = Fast RC Oscillator (FRC)

bit 7 **CLKLOCK:** Clock Lock Enable bit

If clock switching is enabled and FSCM is disabled, FCKSM<1:0> (FOSC<7:6>) bits = 0b01):

- 1 = Clock switching is disabled, system clock source is locked
- 0 = Clock switching is enabled, system clock source can be modified by clock switching

bit 6 **IOLOCK:** Peripheral Pin Select Lock bit

- 1 = Peripheral Pin Select is locked, write to Peripheral Pin Select registers is not allowed
- 0 = Peripheral Pin Select is not locked, write to Peripheral Pin Select registers is allowed

bit 5 **LOCK:** PLL Lock Status bit (read-only)

- 1 = Indicates that PLL is in lock or PLL start-up timer is satisfied
- 0 = Indicates that PLL is out of lock, start-up timer is in progress or PLL is disabled

**Note 1:** Writes to this register require an unlock sequence. Refer to **Section 42. "Oscillator (Part IV)"** (DS70307) in the *dsPIC33F/PIC24H Family Reference Manual* for details.

**2:** Direct clock switches between any Primary Oscillator mode with PLL and FRCPLL mode are not permitted. This applies to clock switches in either direction. In these instances, the application must switch to FRC mode as a transition clock source between the two PLL modes.

**3:** This register is reset only on a Power-on Reset (POR).

## REGISTER 8-1: OSCCON: OSCILLATOR CONTROL REGISTER<sup>(1,3)</sup> (CONTINUED)

|         |   |
|---------|---|
| bit 4   | <b>Unimplemented:</b> Read as '0'   |
| bit 3   | <b>CF:</b> Clock Fail Detect bit (read/clear by application)<br>1 = FSCM has detected clock failure<br>0 = FSCM has not detected clock failure            |
| bit 2-1 | <b>Unimplemented:</b> Read as '0'   |
| bit 0   | <b>OSWEN:</b> Oscillator Switch Enable bit<br>1 = Request oscillator switch to selection specified by NOSC<2:0> bits<br>0 = Oscillator switch is complete |

- Note 1:** Writes to this register require an unlock sequence. Refer to **Section 42. "Oscillator (Part IV)"** (DS70307) in the *"dsPIC33F/PIC24H Family Reference Manual"* for details.
- 2:** Direct clock switches between any Primary Oscillator mode with PLL and FRCPLL mode are not permitted. This applies to clock switches in either direction. In these instances, the application must switch to FRC mode as a transition clock source between the two PLL modes.
- 3:** This register is reset only on a Power-on Reset (POR).

# dsPIC33FJ06GS001/101A/102A/202A and dsPIC33FJ09GS302

## REGISTER 8-2: CLKDIV: CLOCK DIVISOR REGISTER<sup>(2)</sup>

|        |           |       |                      |       |             |       |       |
|--------|-----------|-------|----------------------|-------|-------------|-------|-------|
| R/W-0  | R/W-0     | R/W-1 | R/W-1                | R/W-0 | R/W-0       | R/W-0 | R/W-0 |
| ROI    | DOZE<2:0> |       | DOZEN <sup>(1)</sup> |       | FRCDIV<2:0> |       |       |
| bit 15 |           |       |                      |       |             |       | bit 8 |

|              |       |     |             |       |       |       |       |
|--------------|-------|-----|-------------|-------|-------|-------|-------|
| R/W-0        | R/W-1 | U-0 | R/W-0       | R/W-0 | R/W-0 | R/W-0 | R/W-0 |
| PLLPOST<1:0> |       | —   | PLLPRE<4:0> |       |       |       |       |
| bit 7        |       |     |             |       |       |       | bit 0 |

### Legend:

R = Readable bit                      W = Writable bit                      U = Unimplemented bit, read as '0'  
-n = Value at POR                      '1' = Bit is set                      '0' = Bit is cleared                      x = Bit is unknown

- bit 15            **ROI:** Recover on Interrupt bit  
1 = Interrupts will clear the DOZEN bit and the processor clock/peripheral clock ratio is set to 1:1  
0 = Interrupts have no effect on the DOZEN bit
- bit 14-12        **DOZE<2:0>:** Processor Clock Reduction Select bits  
111 = Fcy/128  
110 = Fcy/64  
101 = Fcy/32  
100 = Fcy/16  
011 = Fcy/8 (default)  
010 = Fcy/4  
001 = Fcy/2  
000 = Fcy/1
- bit 11            **DOZEN:** Doze Mode Enable bit<sup>(1)</sup>  
1 = DOZE<2:0> field specifies the ratio between the peripheral clocks and the processor clocks  
0 = Processor clock/peripheral clock ratio is forced to 1:1
- bit 10-8         **FRCDIV<2:0>:** Internal Fast RC Oscillator Postscaler bits  
111 = FRC divide-by-256  
110 = FRC divide-by-64  
101 = FRC divide-by-32  
100 = FRC divide-by-16  
011 = FRC divide-by-8  
010 = FRC divide-by-4  
001 = FRC divide-by-2  
000 = FRC divide-by-1 (default)
- bit 7-6          **PLLPOST<1:0>:** PLL VCO Output Divider Select bits (also denoted as 'N2', PLL postscaler)  
11 = Output/8  
10 = Reserved  
01 = Output/4 (default)  
00 = Output/2
- bit 5            **Unimplemented:** Read as '0'
- bit 4-0          **PLLPRE<4:0>:** PLL Phase Detector Input Divider bits (also denoted as 'N1', PLL prescaler)  
11111 = Input/33  
•  
•  
•  
00001 = Input/3  
00000 = Input/2 (default)

- Note 1:** This bit is cleared when the ROI bit is set and an interrupt occurs.  
**Note 2:** This register is reset only on a Power-on Reset (POR).



# dsPIC33FJ06GS001/101A/102A/202A and dsPIC33FJ09GS302

## REGISTER 8-3: PLLFBD: PLL FEEDBACK DIVISOR REGISTER<sup>(1)</sup>

|        |     |     |     |     |     |     |         |
|--------|-----|-----|-----|-----|-----|-----|---------|
| U-0    | U-0 | U-0 | U-0 | U-0 | U-0 | U-0 | R/W-0   |
| —      | —   | —   | —   | —   | —   | —   | PLLDIV8 |
| bit 15 |     |     |     |     |     |     | bit 8   |

|             |       |       |       |       |       |       |       |
|-------------|-------|-------|-------|-------|-------|-------|-------|
| R/W-0       | R/W-0 | R/W-1 | R/W-1 | R/W-0 | R/W-0 | R/W-0 | R/W-0 |
| PLLDIV<7:0> |       |       |       |       |       |       |       |
| bit 7       |       |       |       |       |       |       | bit 0 |

### Legend:

R = Readable bit                      W = Writable bit                      U = Unimplemented bit, read as '0'  
 -n = Value at POR                      '1' = Bit is set                      '0' = Bit is cleared                      x = Bit is unknown

bit 15-9                      **Unimplemented:** Read as '0'

bit 8-0                      **PLLDIV<8:0>:** PLL Feedback Divisor bits (also denoted as 'M', PLL multiplier)

111111111 = 513

•

•

•

000110000 = 50 (default)

•

•

•

000000010 = 4

000000001 = 3

000000000 = 2

**Note 1:** This register is reset only on a Power-on Reset (POR).

# dsPIC33FJ06GS001/101A/102A/202A and dsPIC33FJ09GS302

## REGISTER 8-4: OSCTUN: FRC OSCILLATOR TUNING REGISTER<sup>(2)</sup>

|        |     |     |     |     |     |     |       |
|--------|-----|-----|-----|-----|-----|-----|-------|
| U-0    | U-0 | U-0 | U-0 | U-0 | U-0 | U-0 | U-0   |
| —      | —   | —   | —   | —   | —   | —   | —     |
| bit 15 |     |     |     |     |     |     | bit 8 |

|       |     |                         |       |       |       |       |       |
|-------|-----|-------------------------|-------|-------|-------|-------|-------|
| U-0   | U-0 | R/W-0                   | R/W-0 | R/W-0 | R/W-0 | R/W-0 | R/W-0 |
| —     | —   | TUN<5:0> <sup>(1)</sup> |       |       |       |       |       |
| bit 7 |     |                         |       |       |       | bit 0 |       |

### Legend:

R = Readable bit                      W = Writable bit                      U = Unimplemented bit, read as '0'  
 -n = Value at POR                      '1' = Bit is set                      '0' = Bit is cleared                      x = Bit is unknown

bit 15-6                      **Unimplemented:** Read as '0'

bit 5-0                      **TUN<5:0>:** FRC Oscillator Tuning bits<sup>(1)</sup>

011111 = Center frequency + 11.625% (8.23 MHz)

011110 = Center frequency + 11.25% (8.20 MHz)

•

•

•

000001 = Center frequency + 0.375% (7.40 MHz)

000000 = Center frequency (7.37 MHz nominal)

111111 = Center frequency – 0.375% (7.345 MHz)

•

•

•

100001 = Center frequency – 11.625% (6.52 MHz)

100000 = Center frequency – 12% (6.49 MHz)

**Note 1:** OSCTUN functionality has been provided to help customers compensate for temperature effects on the FRC frequency over a wide range of temperatures. The tuning step size is an approximation and is neither characterized nor tested.

**2:** This register is reset only on a Power-on Reset (POR).

# dsPIC33FJ06GS001/101A/102A/202A and dsPIC33FJ09GS302

## REGISTER 8-5: ACLKCON: AUXILIARY CLOCK DIVISOR CONTROL REGISTER<sup>(1)</sup>

|        |        |         |     |     |                              |       |       |
|--------|--------|---------|-----|-----|------------------------------|-------|-------|
| R/W-0  | R-0    | R/W-1   | U-0 | U-0 | R/W-1                        | R/W-1 | R/W-1 |
| ENAPLL | APLLCK | SELACLK | —   | —   | APSTSCLR<2:0> <sup>(2)</sup> |       |       |
| bit 15 |        |         |     |     |                              |       | bit 8 |

|         |        |     |     |     |     |     |       |
|---------|--------|-----|-----|-----|-----|-----|-------|
| R/W-0   | R/W-0  | U-0 | U-0 | U-0 | U-0 | U-0 | U-0   |
| ASRCSEL | FRCSEL | —   | —   | —   | —   | —   | —     |
| bit 7   |        |     |     |     |     |     | bit 0 |

### Legend:

R = Readable bit                      W = Writable bit                      U = Unimplemented bit, read as '0'  
-n = Value at POR                      '1' = Bit is set                      '0' = Bit is cleared                      x = Bit is unknown

- bit 15            **ENAPLL:** Auxiliary PLL Enable bit  
                    1 = APLL is enabled  
                    0 = APLL is disabled
- bit 14            **APLLCK:** APLL Locked Status bit (read-only)  
                    1 = Indicates that auxiliary PLL is in lock  
                    0 = Indicates that auxiliary PLL is not in lock
- bit 13            **SELACLK:** Select Auxiliary Clock Source for Auxiliary Clock Divider bit  
                    1 = Auxiliary oscillators provides the source clock for auxiliary clock divider  
                    0 = Primary PLL (Fvco) provides the source clock for auxiliary clock divider
- bit 12-11        **Unimplemented:** Read as '0'
- bit 10-8         **APSTSCLR<2:0>:** Auxiliary Clock Output Divider bits<sup>(2)</sup>  
                    111 = Divided by 1  
                    110 = Divided by 2  
                    101 = Divided by 4  
                    100 = Divided by 8  
                    011 = Divided by 16  
                    010 = Divided by 32  
                    001 = Divided by 64  
                    000 = Divided by 256
- bit 7             **ASRCSEL:** Select Reference Clock Source for Auxiliary Clock bit  
                    1 = Primary oscillator is the clock source  
                    0 = No clock input is selected
- bit 6             **FRCSEL:** Select Reference Clock Source for Auxiliary PLL bit  
                    1 = Selects FRC clock for auxiliary PLL  
                    0 = Input clock source is determined by ASRCSEL bit setting
- bit 5-0         **Unimplemented:** Read as '0'

- Note 1:** This register is reset only on a Power-on Reset (POR).  
**Note 2:** The auxiliary clock postscaler must be configured to divide-by-1 (APSTSCLR<2:0> = 111) for proper operation of the PWM module.

# dsPIC33FJ06GS001/101A/102A/202A and dsPIC33FJ09GS302

## REGISTER 8-6: REFOCON: REFERENCE OSCILLATOR CONTROL REGISTER

|        |     |        |       |                           |       |       |       |
|--------|-----|--------|-------|---------------------------|-------|-------|-------|
| R/W-0  | U-0 | R/W-0  | R/W-0 | R/W-0                     | R/W-0 | R/W-0 | R/W-0 |
| ROON   | —   | ROSSLP | ROSEL | RODIV<3:0> <sup>(1)</sup> |       |       |       |
| bit 15 |     |        |       |                           |       |       | bit 8 |

|       |     |     |     |     |     |     |       |
|-------|-----|-----|-----|-----|-----|-----|-------|
| U-0   | U-0 | U-0 | U-0 | U-0 | U-0 | U-0 | U-0   |
| —     | —   | —   | —   | —   | —   | —   | —     |
| bit 7 |     |     |     |     |     |     | bit 0 |

### Legend:

R = Readable bit                      W = Writable bit                      U = Unimplemented bit, read as '0'  
 -n = Value at POR                      '1' = Bit is set                      '0' = Bit is cleared                      x = Bit is unknown

bit 15                      **ROON:** Reference Oscillator Output Enable bit  
                                  1 = Reference oscillator output is enabled on REFCLK0 pin<sup>(2)</sup>  
                                  0 = Reference oscillator output is disabled

bit 14                      **Unimplemented:** Read as '0'

bit 13                      **ROSSLP:** Reference Oscillator Run in Sleep bit  
                                  1 = Reference oscillator output continues to run in Sleep  
                                  0 = Reference oscillator output is disabled in Sleep

bit 12                      **ROSEL:** Reference Oscillator Source Select bit  
                                  1 = Oscillator crystal used as the reference clock  
                                  0 = System clock used as the reference clock

bit 11-8                      **RODIV<3:0>:** Reference Oscillator Divider bits<sup>(1)</sup>  
                                  1111 = Reference clock divided by 32,768  
                                  1110 = Reference clock divided by 16,384  
                                  1101 = Reference clock divided by 8,192  
                                  1100 = Reference clock divided by 4,096  
                                  1011 = Reference clock divided by 2,048  
                                  1010 = Reference clock divided by 1,024  
                                  1001 = Reference clock divided by 512  
                                  1000 = Reference clock divided by 256  
                                  0111 = Reference clock divided by 128  
                                  0110 = Reference clock divided by 64  
                                  0101 = Reference clock divided by 32  
                                  0100 = Reference clock divided by 16  
                                  0011 = Reference clock divided by 8  
                                  0010 = Reference clock divided by 4  
                                  0001 = Reference clock divided by 2  
                                  0000 = Reference clock

bit 7-0                      **Unimplemented:** Read as '0'

- Note 1:** The reference oscillator output must be disabled (ROON = 0) before writing to these bits.  
**Note 2:** This pin is remappable; refer to [Section 10.6 “Peripheral Pin Select \(PPS\)”](#) for more information.

# dsPIC33FJ06GS001/101A/102A/202A and dsPIC33FJ09GS302

## REGISTER 8-7: LFSR: LINEAR FEEDBACK SHIFT REGISTER

|        |            |       |       |       |       |       |       |       |
|--------|------------|-------|-------|-------|-------|-------|-------|-------|
| U-0    | R/W-0      | R/W-0 | R/W-0 | R/W-0 | R/W-0 | R/W-0 | R/W-0 |       |
| —      | LFSR<14:8> |       |       |       |       |       |       |       |
| bit 15 |            |       |       |       |       |       |       | bit 8 |

|           |       |       |       |       |       |       |       |
|-----------|-------|-------|-------|-------|-------|-------|-------|
| R/W-0     | R/W-0 | R/W-0 | R/W-0 | R/W-0 | R/W-0 | R/W-0 | R/W-0 |
| LFSR<7:0> |       |       |       |       |       |       |       |
| bit 7     |       |       |       |       |       |       | bit 0 |

**Legend:**

|                   |                  |  |
|-------------------|------------------|--|
| R = Readable bit  | W = Writable bit | U = Unimplemented bit, read as '0'           |
| -n = Value at POR | '1' = Bit is set | '0' = Bit is cleared      x = Bit is unknown |

bit 15      **Unimplemented:** Read as '0'

bit 14-0      **LFSR<14:0>:** Pseudo Random FRC Trim Value bits

## 8.5 Clock Switching Operation

Applications are free to switch among any of the four clock sources (primary, LP, FRC and LPRC) under software control at any time. To limit the possible side effects of this flexibility, devices have a safeguard lock built into the switch process.

**Note:** Primary Oscillator mode has three different submodes (XT, HS and EC), which are determined by the POSCMD<1:0> Configuration bits. While an application can switch to and from Primary Oscillator mode in software, it cannot switch among the different primary submodes without reprogramming the device.

### 8.5.1 ENABLING CLOCK SWITCHING

To enable clock switching, the FCKSM1 Configuration bit in the FOSC Configuration register must be programmed to '0'. (Refer to [Section 22.1 “Configuration Bits”](#) for further details.) If the FCKSM1 Configuration bit is unprogrammed ('1'), the clock switching function and Fail-Safe Clock Monitor function are disabled. This is the default setting.

The NOSC<2:0> control bits (OSCCON<10:8>) do not control the clock selection when clock switching is disabled. However, the COSC<2:0> bits (OSCCON<14:12>) reflect the clock source selected by the FNOSC Configuration bits.

The OSWEN control bit (OSCCON<0>) has no effect when clock switching is disabled. It is held at '0' at all times.

### 8.5.2 OSCILLATOR SWITCHING SEQUENCE

To perform a clock switch, the following basic sequence is required:

1. If desired, read the COSC<2:0> bits to determine the current oscillator source.
2. Perform the unlock sequence to allow a write to the OSCCON register high byte.
3. Write the appropriate value to the NOSC<2:0> control bits for the new oscillator source.
4. Perform the unlock sequence to allow a write to the OSCCON register low byte.
5. Set the OSWEN bit (OSCCON<0>) to initiate the oscillator switch.

Once the basic sequence is completed, the system clock hardware responds automatically as follows:

1. The clock switching hardware compares the COSC<2:0> status bits with the new value of the NOSC<2:0> control bits. If they are the same, the clock switch is a redundant operation. In this case, the OSWEN bit is cleared automatically and the clock switch is aborted.
2. If a valid clock switch has been initiated, the LOCK (OSCCON<5>) and the CF (OSCCON<3>) status bits are cleared.
3. The new oscillator is turned on by the hardware if it is not currently running. If a crystal oscillator must be turned on, the hardware waits until the Oscillator Start-up Timer (OST) expires. If the new source is using the PLL, the hardware waits until a PLL lock is detected (LOCK = 1).
4. The hardware waits for 10 clock cycles from the new clock source and then performs the clock switch.
5. The hardware clears the OSWEN bit to indicate a successful clock transition. In addition, the NOSC<2:0> bit values are transferred to the COSC<2:0> status bits.
6. The old clock source is turned off at this time, with the exception of LPRC (if WDT or FSCM is enabled).

**Note 1:** The processor continues to execute code throughout the clock switching sequence. Timing-sensitive code should not be executed during this time.

**2:** Direct clock switches between any Primary Oscillator mode with PLL and FRCPLL mode are not permitted. This applies to clock switches in either direction. In these instances, the application must switch to FRC mode as a transition clock source between the two PLL modes.

**3:** Refer to [Section 42. “Oscillator \(Part IV\)”](#) (DS70307) in the *“dsPIC33F/PIC24H Family Reference Manual”* for details.

### 8.6 Fail-Safe Clock Monitor (FSCM)

The Fail-Safe Clock Monitor (FSCM) allows the device to continue to operate, even in the event of an oscillator failure. The FSCM function is enabled by programming. If the FSCM function is enabled, the LPRC internal oscillator runs at all times (except during Sleep mode) and is not subject to control by the Watchdog Timer.

In the event of an oscillator failure, the FSCM generates a clock failure trap event and switches the system clock over to the FRC oscillator. Then, the application program can either attempt to restart the oscillator or execute a controlled shutdown. The trap can be treated as a warm Reset by simply loading the Reset address into the oscillator fail trap vector.

If the PLL multiplier is used to scale the system clock, the internal FRC is also multiplied by the same factor on clock failure. Essentially, the device switches to FRC with PLL on a clock failure.

### 8.7 Pseudo-Random Generator

The pseudo-random generator is implemented with a 15-bit Linear Feedback Shift Register (LFSR), which is a shift register with a few exclusive OR gates. The shift register is clocked by the PWM clock and is a read-only register. The purpose of this feature is to provide the ability to randomly change the period or the active portion of the PWM.

A firmware routine can be used to read “n” random bits from the LFSR register and combine them, by either summing or performing another logical operation with the PWM period of the Duty Cycle registers. The result will be a PWM signal whose nominal period (or duty cycle) is the desired one, but whose effective value changes randomly. This capability will help in reducing the EMI/EMC emissions by spreading the power over a wider frequency range.

Figure 8-3 provides a block diagram of the LFSR.

FIGURE 8-3: LFSR BLOCK DIAGRAM



NOTES:



## 9.0 POWER-SAVING FEATURES

**Note 1:** This data sheet summarizes the features of the dsPIC33FJ06GS001/101A/102A/202A and dsPIC33FJ09GS302 families of devices. It is not intended to be a comprehensive reference source. To complement the information in this data sheet, refer to **Section 9. “Watchdog Timer (WDT) and Power-Saving Modes”** (DS70196) in the “dsPIC33F/PIC24H Family Reference Manual”, which is available from the Microchip web site ([www.microchip.com](http://www.microchip.com)).

**2:** Some registers and associated bits described in this section may not be available on all devices. Refer to **Section 4.0 “Memory Organization”** in this data sheet for device-specific register and bit information.

These devices provide the ability to manage power consumption by selectively managing clocking to the CPU and the peripherals. In general, a lower clock frequency and a reduction in the number of circuits being clocked constitutes lower consumed power. Devices can manage power consumption in four different ways:

- Clock Frequency
- Instruction-Based Sleep and Idle modes
- Software Controlled Doze mode
- Selective Peripheral Control in Software

Combinations of these methods can be used to selectively tailor an application’s power consumption while still maintaining critical application features, such as timing-sensitive communications.

### 9.1 Clock Frequency and Clock Switching

These devices allow a wide range of clock frequencies to be selected under application control. If the system clock configuration is not locked, users can choose low-power or high-precision oscillators by simply changing the NOSC<2:0> bits (OSCCON<10:8>). The process of changing a system clock during operation, as well as limitations to the process, are discussed in more detail in **Section 8.0 “Oscillator Configuration”**.

#### EXAMPLE 9-1: PWRSAV INSTRUCTION SYNTAX

```
PWRSAV #SLEEP_MODE ; Put the device into SLEEP mode
PWRSAV #IDLE_MODE ; Put the device into IDLE mode
```

## 9.2 Instruction-Based Power-Saving Modes

The devices have two special power-saving modes that are entered through the execution of a special PWRSAV instruction. Sleep mode stops clock operation and halts all code execution. Idle mode halts the CPU and code execution, but allows peripheral modules to continue operation. The assembler syntax of the PWRSAV instruction is shown in **Example 9-1**.

**Note:** SLEEP\_MODE and IDLE\_MODE are constants defined in the assembler include file for the selected device.

Sleep and Idle modes can be exited as a result of an enabled interrupt, WDT time-out or a device Reset. When the device exits these modes, it is said to wake-up.

### 9.2.1 SLEEP MODE

The following occur in Sleep mode:

- The system clock source is shut down. If an on-chip oscillator is used, it is turned off.
- The device current consumption is reduced to a minimum, provided that no I/O pin is sourcing current.
- The Fail-Safe Clock Monitor does not operate since the system clock source is disabled.
- The LPRC clock continues to run in Sleep mode if the WDT is enabled.
- The WDT, if enabled, is automatically cleared prior to entering Sleep mode.
- Some device features or peripherals may continue to operate. This includes items, such as the Input Change Notification (ICN) on the I/O ports or peripherals that use an external clock input.
- Any peripheral that requires the system clock source for its operation is disabled.

The device will wake-up from Sleep mode on any of these events:

- Any interrupt source that is individually enabled
- Any form of device Reset
- A WDT time-out

On wake-up from Sleep mode, the processor restarts with the same clock source that was active when Sleep mode was entered.

## 9.2.2 IDLE MODE

The following occur in Idle mode:

- The CPU stops executing instructions.
- The WDT is automatically cleared.
- The system clock source remains active. By default, all peripheral modules continue to operate normally from the system clock source, but can also be selectively disabled (see [Section 9.4 “Peripheral Module Disable”](#)).
- If the WDT or FSCM is enabled, the LPRC also remains active.

The device will wake-up from Idle mode on any of these events:

- Any interrupt that is individually enabled
- Any device Reset
- A WDT time-out

On wake-up from Idle mode, the clock is reapplied to the CPU and instruction execution will begin (2-4 clock cycles later), starting with the instruction following the `PWRSVAV` instruction, or the first instruction in the ISR.

## 9.2.3 INTERRUPTS COINCIDENT WITH POWER SAVE INSTRUCTIONS

Any interrupt that coincides with the execution of a `PWRSVAV` instruction is held off until entry into Sleep or Idle mode has completed. The device then wakes up from Sleep or Idle mode.

## 9.3 Doze Mode

The preferred strategies for reducing power consumption are changing clock speed and invoking one of the power-saving modes. In some circumstances, this may not be practical. For example, it may be necessary for an application to maintain uninterrupted synchronous communication, even while it is doing nothing else. Reducing system clock speed can introduce communication errors, while using a power-saving mode can stop communications completely.

Doze mode is a simple and effective alternative method to reduce power consumption while the device is still executing code. In this mode, the system clock continues to operate from the same source and at the same speed. Peripheral modules continue to be clocked at the same speed, while the CPU clock speed is reduced. Synchronization between the two clock domains is maintained, allowing the peripherals to access the SFRs while the CPU executes code at a slower rate.

Doze mode is enabled by setting the DOZEN bit (`CLKDIV<11>`). The ratio between peripheral and core clock speed is determined by the DOZE<2:0> bits (`CLKDIV<14:12>`). There are eight possible configurations, from 1:1 to 1:128, with 1:1 being the default setting.

Programs can use Doze mode to selectively reduce power consumption in event-driven applications. This allows clock-sensitive functions, such as synchronous communications, to continue without interruption while the CPU Idles, waiting for something to invoke an interrupt routine. An automatic return to full-speed CPU operation on interrupts can be enabled by setting the ROI bit (`CLKDIV<15>`). By default, interrupt events have no effect on Doze mode operation.

## 9.4 Peripheral Module Disable

The Peripheral Module Disable (PMD) registers provide a method to disable a peripheral module by stopping all clock sources supplied to that module. When a peripheral is disabled using the appropriate PMD control bit, the peripheral is in a minimum power consumption state. The control and status registers associated with the peripheral are also disabled, so writes to those registers will have no effect and read values will be invalid.

A peripheral module is enabled only if both the associated bit in the PMD register is cleared and the peripheral is supported by the specific dsPIC® DSC variant. If the peripheral is present in the device, it is enabled in the PMD register by default.

**Note:** If a PMD bit is set, the corresponding module is disabled after a delay of one instruction cycle. Similarly, if a PMD bit is cleared, the corresponding module is enabled after a delay of one instruction cycle (assuming the module control registers are already configured to enable module operation).

## 9.5 PMD Control Registers

**REGISTER 9-1: PMD1: PERIPHERAL MODULE DISABLE CONTROL REGISTER 1**

|        |     |     |       |       |     |                      |       |
|--------|-----|-----|-------|-------|-----|----------------------|-------|
| U-0    | U-0 | U-0 | R/W-0 | R/W-0 | U-0 | R/W-0                | U-0   |
| —      | —   | —   | T2MD  | T1MD  | —   | PWMMD <sup>(1)</sup> | —     |
| bit 15 |     |     |       |       |     |                      | bit 8 |

|        |     |                     |     |                       |     |     |       |
|--------|-----|---------------------|-----|-----------------------|-----|-----|-------|
| R/W-0  | U-0 | R/W-0               | U-0 | R/W-0                 | U-0 | U-0 | R/W-0 |
| I2C1MD | —   | U1MD <sup>(2)</sup> | —   | SPI1MD <sup>(2)</sup> | —   | —   | ADCMD |
| bit 7  |     |                     |     |                       |     |     | bit 0 |

**Legend:**

|                   |                  |                                    |
|-------------------|------------------|------------------------------------|
| R = Readable bit  | W = Writable bit | U = Unimplemented bit, read as '0' |
| -n = Value at POR | '1' = Bit is set | '0' = Bit is cleared               |
|                   |                  | x = Bit is unknown                 |

- bit 15-13    **Unimplemented:** Read as '0'
- bit 12      **T2MD:** Timer2 Module Disable bit  
1 = Timer2 module is disabled  
0 = Timer2 module is enabled
- bit 11      **T1MD:** Timer1 Module Disable bit  
1 = Timer1 module is disabled  
0 = Timer1 module is enabled
- bit 10      **Unimplemented:** Read as '0'
- bit 9        **PWMMD:** PWM Module Disable bit<sup>(1)</sup>  
1 = PWM module is disabled  
0 = PWM module is enabled
- bit 8        **Unimplemented:** Read as '0'
- bit 7        **I2C1MD:** I2C1 Module Disable bit  
1 = I2C1 module is disabled  
0 = I2C1 module is enabled
- bit 6        **Unimplemented:** Read as '0'
- bit 5        **U1MD:** UART1 Module Disable bit<sup>(2)</sup>  
1 = UART1 module is disabled  
0 = UART1 module is enabled
- bit 4        **Unimplemented:** Read as '0'
- bit 3        **SPI1MD:** SPI1 Module Disable bit<sup>(2)</sup>  
1 = SPI1 module is disabled  
0 = SPI1 module is enabled
- bit 2-1     **Unimplemented:** Read as '0'
- bit 0        **ADCMD:** ADC Module Disable bit  
1 = ADC module is disabled  
0 = ADC module is enabled

- Note 1:** Once the PWM module is re-enabled (PWMMD is set to '1' and then set to '0'), all PWM registers must be re-initialized.
- 2:** This bit is not implemented in the dsPIC33FJ06GS001 device.

# dsPIC33FJ06GS001/101A/102A/202A and dsPIC33FJ09GS302

## REGISTER 9-2: PMD2: PERIPHERAL MODULE DISABLE CONTROL REGISTER 2

|        |     |     |     |     |     |     |                      |
|--------|-----|-----|-----|-----|-----|-----|----------------------|
| U-0    | U-0 | U-0 | U-0 | U-0 | U-0 | U-0 | R/W-0                |
| —      | —   | —   | —   | —   | —   | —   | IC1MD <sup>(1)</sup> |
| bit 15 |     |     |     |     |     |     | bit 8                |

|       |     |     |     |     |     |     |                      |
|-------|-----|-----|-----|-----|-----|-----|----------------------|
| U-0   | U-0 | U-0 | U-0 | U-0 | U-0 | U-0 | R/W-0                |
| —     | —   | —   | —   | —   | —   | —   | OC1MD <sup>(2)</sup> |
| bit 7 |     |     |     |     |     |     | bit 0                |

### Legend:

R = Readable bit                      W = Writable bit                      U = Unimplemented bit, read as '0'  
 -n = Value at POR                      '1' = Bit is set                      '0' = Bit is cleared                      x = Bit is unknown

- bit 15-9            **Unimplemented:** Read as '0'
- bit 8              **IC1MD:** Input Capture 1 Module Disable bit<sup>(1)</sup>  
                     1 = Input Capture 1 module is disabled  
                     0 = Input Capture 1 module is enabled
- bit 7-1            **Unimplemented:** Read as '0'
- bit 0              **OC1MD:** Output Compare 1 Module Disable bit<sup>(2)</sup>  
                     1 = Output Compare 1 module is disabled  
                     0 = Output Compare 1 module is enabled

- Note 1:** This bit is not implemented in dsPIC33FJ06GS001/101A/102A devices.  
**Note 2:** This bit is not implemented in the dsPIC33FJ06GS001 device.

# dsPIC33FJ06GS001/101A/102A/202A and dsPIC33FJ09GS302

## REGISTER 9-3: PMD3: PERIPHERAL MODULE DISABLE CONTROL REGISTER 3

|        |     |     |     |     |                      |       |     |
|--------|-----|-----|-----|-----|----------------------|-------|-----|
| U-0    | U-0 | U-0 | U-0 | U-0 | R/W-0                | U-0   | U-0 |
| —      | —   | —   | —   | —   | CMPMD <sup>(1)</sup> | —     | —   |
| bit 15 |     |     |     |     |                      | bit 8 |     |
| U-0    | U-0 | U-0 | U-0 | U-0 | U-0                  | U-0   | U-0 |
| —      | —   | —   | —   | —   | —                    | —     | —   |
| bit 7  |     |     |     |     |                      | bit 0 |     |

### Legend:

R = Readable bit                      W = Writable bit                      U = Unimplemented bit, read as '0'  
 -n = Value at POR                      '1' = Bit is set                      '0' = Bit is cleared                      x = Bit is unknown

- bit 15-11    **Unimplemented:** Read as '0'  
 bit 10        **CMPMD:** Analog Comparator Module Disable bit<sup>(1)</sup>  
                   1 = Analog comparator module is disabled  
                   0 = Analog comparator module is enabled  
 bit 9-0        **Unimplemented:** Read as '0'

**Note 1:** This bit is not implemented in dsPIC33FJ06GS101A/102A devices.

## REGISTER 9-4: PMD4: PERIPHERAL MODULE DISABLE CONTROL REGISTER 4

|        |     |     |     |        |     |       |     |
|--------|-----|-----|-----|--------|-----|-------|-----|
| U-0    | U-0 | U-0 | U-0 | U-0    | U-0 | U-0   | U-0 |
| —      | —   | —   | —   | —      | —   | —     | —   |
| bit 15 |     |     |     |        |     | bit 8 |     |
| U-0    | U-0 | U-0 | U-0 | R/W-0  | U-0 | U-0   | U-0 |
| —      | —   | —   | —   | REFOMD | —   | —     | —   |
| bit 7  |     |     |     |        |     | bit 0 |     |

### Legend:

R = Readable bit                      W = Writable bit                      U = Unimplemented bit, read as '0'  
 -n = Value at POR                      '1' = Bit is set                      '0' = Bit is cleared                      x = Bit is unknown

- bit 15-4    **Unimplemented:** Read as '0'  
 bit 3        **REFOMD:** Reference Clock Generator Module Disable bit  
                   1 = Reference clock generator module is disabled  
                   0 = Reference clock generator module is enabled  
 bit 2-0        **Unimplemented:** Read as '0'

# dsPIC33FJ06GS001/101A/102A/202A and dsPIC33FJ09GS302

## REGISTER 9-5: PMD6: PERIPHERAL MODULE DISABLE CONTROL REGISTER 6

|        |     |     |     |                       |     |                       |        |
|--------|-----|-----|-----|-----------------------|-----|-----------------------|--------|
| U-0    | U-0 | U-0 | U-0 | R/W-0                 | U-0 | R/W-0                 | R/W-0  |
| —      | —   | —   | —   | PWM4MD <sup>(1)</sup> | —   | PWM2MD <sup>(2)</sup> | PWM1MD |
| bit 15 |     |     |     |                       |     | bit 8                 |        |

|       |     |     |     |     |     |       |     |
|-------|-----|-----|-----|-----|-----|-------|-----|
| U-0   | U-0 | U-0 | U-0 | U-0 | U-0 | U-0   | U-0 |
| —     | —   | —   | —   | —   | —   | —     | —   |
| bit 7 |     |     |     |     |     | bit 0 |     |

### Legend:

|                   |                  |                                    |
|-------------------|------------------|------------------------------------|
| R = Readable bit  | W = Writable bit | U = Unimplemented bit, read as '0' |
| -n = Value at POR | '1' = Bit is set | '0' = Bit is cleared               |
|                   |                  | x = Bit is unknown                 |

- bit 15-12     **Unimplemented:** Read as '0'
- bit 11       **PWM4MD:** PWM Generator 4 Module Disable bit<sup>(1)</sup>  
               1 = PWM Generator 4 module is disabled  
               0 = PWM Generator 4 module is enabled
- bit 10       **Unimplemented:** Read as '0'
- bit 9         **PWM2MD:** PWM Generator 2 Module Disable bit<sup>(2)</sup>  
               1 = PWM Generator 2 module is disabled  
               0 = PWM Generator 2 module is enabled
- bit 8         **PWM1MD:** PWM Generator 1 Module Disable bit  
               1 = PWM Generator 1 module is disabled  
               0 = PWM Generator 1 module is enabled
- bit 7-0      **Unimplemented:** Read as '0'

- Note 1:** This bit is not implemented in dsPIC33FJ06GS102A/202A devices.  
**Note 2:** This bit is not implemented in dsPIC33FJ06GS001/101A devices.

# dsPIC33FJ06GS001/101A/102A/202A and dsPIC33FJ09GS302

## REGISTER 9-6: PMD7: PERIPHERAL MODULE DISABLE CONTROL REGISTER 7

|        |     |     |     |     |     |                       |                       |
|--------|-----|-----|-----|-----|-----|-----------------------|-----------------------|
| U-0    | U-0 | U-0 | U-0 | U-0 | U-0 | R/W-0                 | R/W-0                 |
| —      | —   | —   | —   | —   | —   | CMP2MD <sup>(1)</sup> | CMP1MD <sup>(1)</sup> |
| bit 15 |     |     |     |     |     | bit 8                 |                       |

|       |     |     |     |     |     |       |     |
|-------|-----|-----|-----|-----|-----|-------|-----|
| U-0   | U-0 | U-0 | U-0 | U-0 | U-0 | U-0   | U-0 |
| —     | —   | —   | —   | —   | —   | —     | —   |
| bit 7 |     |     |     |     |     | bit 0 |     |

### Legend:

R = Readable bit                      W = Writable bit                      U = Unimplemented bit, read as '0'  
 -n = Value at POR                      '1' = Bit is set                      '0' = Bit is cleared                      x = Bit is unknown

- bit 15-10     **Unimplemented:** Read as '0'
- bit 9         **CMP2MD:** Analog Comparator 2 Module Disable bit<sup>(1)</sup>  
                   1 = Analog Comparator 2 module is disabled  
                   0 = Analog Comparator 2 module is enabled
- bit 8         **CMP1MD:** Analog Comparator 1 Module Disable bit<sup>(1)</sup>  
                   1 = Analog Comparator 1 module is disabled  
                   0 = Analog Comparator 1 module is enabled
- bit 7-0       **Unimplemented:** Read as '0'

**Note 1:** This bit is not implemented in dsPIC33FJ06GS101A/102A devices.

# dsPIC33FJ06GS001/101A/102A/202A and dsPIC33FJ09GS302

## REGISTER 9-7: PMD8: PERIPHERAL MODULE DISABLE CONTROL REGISTER 8

|        |     |     |     |     |     |     |       |
|--------|-----|-----|-----|-----|-----|-----|-------|
| U-0    | U-0 | U-0 | U-0 | U-0 | U-0 | U-0 | U-0   |
| —      | —   | —   | —   | —   | —   | —   | —     |
| bit 15 |     |     |     |     |     |     | bit 8 |

|       |     |     |     |     |     |                      |     |
|-------|-----|-----|-----|-----|-----|----------------------|-----|
| U-0   | U-0 | U-0 | U-0 | U-0 | U-0 | R/W-0                | U-0 |
| —     | —   | —   | —   | —   | —   | CCSMD <sup>(1)</sup> | —   |
| bit 7 |     |     |     |     |     | bit 0                |     |

### Legend:

R = Readable bit

W = Writable bit

U = Unimplemented bit, read as '0'

-n = Value at POR

'1' = Bit is set

'0' = Bit is cleared

x = Bit is unknown

bit 15-2 **Unimplemented:** Read as '0'

bit 1 **CCSMD:** Constant Current Source Module Disable bit<sup>(1)</sup>

1 = Constant current source module is disabled

0 = Constant current source module is enabled

bit 0 **Unimplemented:** Read as '0'

**Note 1:** This bit is not implemented in dsPIC33FJ06GS101A/102A/202A devices.



## 10.0 I/O PORTS

**Note 1:** This data sheet summarizes the features of the dsPIC33FJ06GS001/101A/102A/202A and dsPIC33FJ09GS302 family of devices. It is not intended to be a comprehensive reference source. To complement the information in this data sheet, refer to **Section 10. “I/O Ports”** (DS70193) in the “*dsPIC33F/PIC24H Family Reference Manual*”, which is available on the Microchip web site ([www.microchip.com](http://www.microchip.com)).

**2:** Some registers and associated bits described in this section may not be available on all devices. Refer to **Section 4.0 “Memory Organization”** in this data sheet for device-specific register and bit information.

All of the device pins (except  $V_{DD}$ ,  $V_{SS}$ ,  $\overline{MCLR}$  and OSC1/CLKI) are shared among the peripherals and the parallel I/O ports. All I/O input ports feature Schmitt Trigger inputs for improved noise immunity.

### 10.1 Parallel I/O (PIO) Ports

Generally a parallel I/O port that shares a pin with a peripheral is subservient to the peripheral. The peripheral's output buffer data and control signals are provided to a pair of multiplexers. The multiplexers select whether the peripheral or the associated port has ownership of the output data and control signals of the I/O pin. The logic also prevents “loop through”, in which a port's digital output can drive the input of a peripheral that shares the same pin. [Figure 10-1](#) shows how ports are shared with other peripherals and the associated I/O pin to which they are connected.

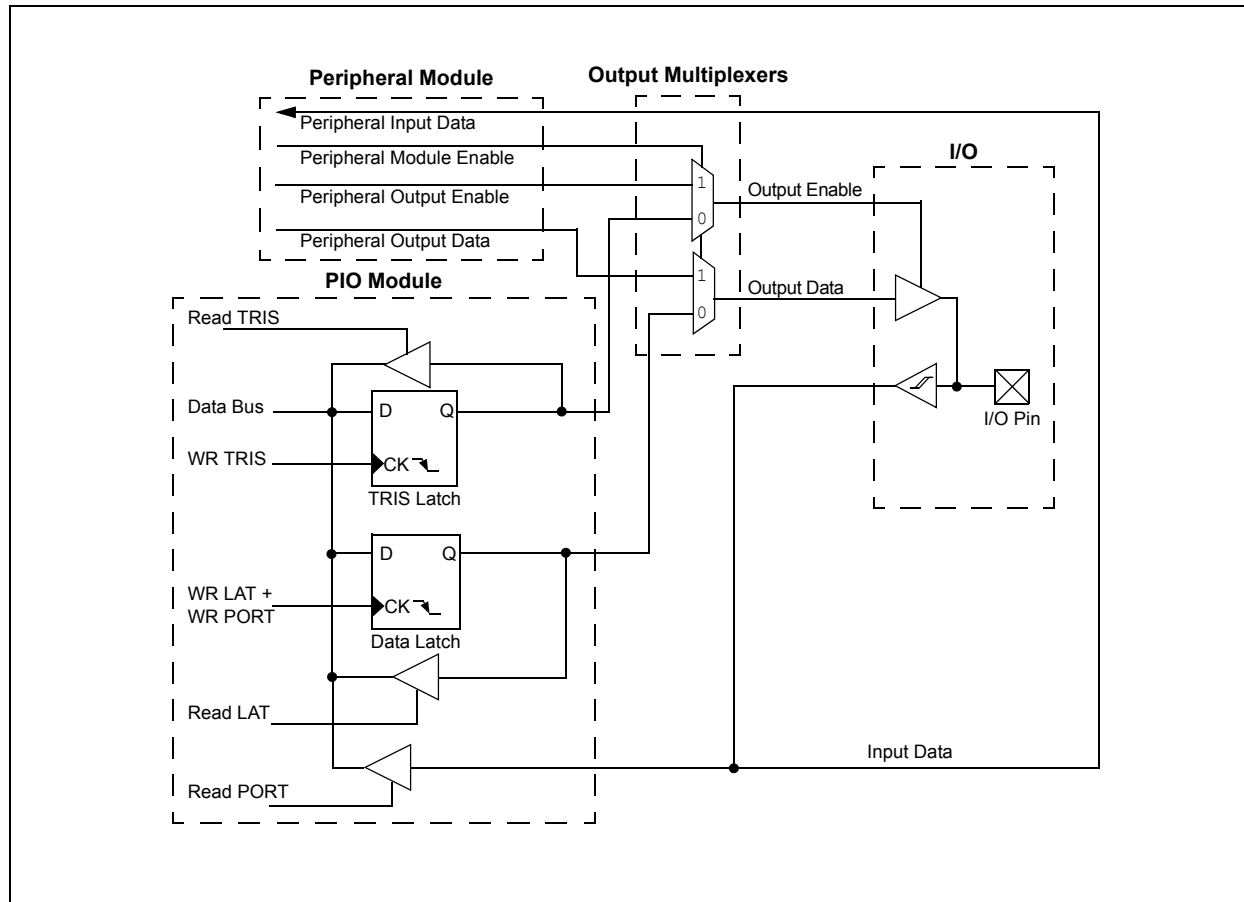
When a peripheral is enabled and the peripheral is actively driving an associated pin, the use of the pin as a general purpose output pin is disabled. The I/O pin can be read, but the output driver for the parallel port bit is disabled. If a peripheral is enabled, but the peripheral is not actively driving a pin, that pin can be driven by a port.

All port pins have three registers directly associated with their operation as digital I/O. The Data Direction register (TRISx) determines whether the pin is an input or an output. If the data direction bit is '1', then the pin is an input. All port pins are defined as inputs after a Reset. Reads from the latch (LATx) read the latch. Writes to the latch write the latch. Reads from the port (PORTx) read the port pins, while writes to the port pins write the latch.

Any bit and its associated data and control registers that are not valid for a particular device will be disabled. That means the corresponding LATx and TRISx registers and the port pin will read as zeros.

When a pin is shared with another peripheral or function that is defined as an input only, it is nevertheless regarded as a dedicated port because there is no other competing source of outputs.

FIGURE 10-1: BLOCK DIAGRAM OF A TYPICAL SHARED PORT STRUCTURE



## 10.2 Open-Drain Configuration

In addition to the PORT, LAT and TRIS registers for data control, some digital only port pins can also be individually configured for either digital or open-drain output. This is controlled by the Open-Drain Control register, ODCx, associated with each port. Setting any of the bits configures the corresponding pin to act as an open-drain output.

The open-drain feature allows the generation of outputs higher than VDD (for example, 5V), on any desired 5V tolerant pins, by using external pull-up resistors. The maximum open-drain voltage allowed is the same as the maximum VIH specification.

Refer to the “[Pin Diagrams](#)” section for the available pins and their functionality.

## 10.3 Configuring Analog Port Pins

The ADPCFG and TRIS registers control the operation of the Analog-to-Digital port pins. The port pins that are to function as analog inputs must have their corresponding TRIS bit set (input). If the TRIS bit is cleared (output), the digital output level (VOH or VOL) will be converted.

The ADPCFG register has a default value of 0x0000; therefore, all pins that share ANx functions are analog (not digital) by default.

When the PORT register is read, all pins configured as analog input channels will read as cleared (a low level).

Pins configured as digital inputs will not convert an analog input. Analog levels on any pin, defined as a digital input (including the ANx pins), can cause the input buffer to consume current that exceeds the device specifications.

## 10.4 I/O Port Write/Read Timing

One instruction cycle is required between a port direction change or port write operation and a read operation of the same port. Typically, this instruction would be a NOP. An example is shown in [Example 10-1](#).

## 10.5 Input Change Notification

The Input Change Notification function of the I/O ports allows devices to generate interrupt requests to the processor in response to a Change-of-State (COS) on selected input pins. This feature can detect input Change-of-States (COS), even in Sleep mode when the clocks are disabled. Depending on the device pin count, up to 16 external signals (CNx pin) can be selected (enabled) for generating an interrupt request on a Change-of-State.

Four control registers are associated with the CN module. The CNEN1 register contains the interrupt enable control bits for each of the CN input pins. Setting any of these bits enables a CN interrupt for the corresponding pin.

Each CN pin also has a weak pull-up connected to it. The pull-ups act as a current source connected to the pin and eliminate the need for external resistors when the push button or keypad devices are connected. The pull-ups are enabled separately, using the CNPU1 register, which contains the control bits for each of the CN pins. Setting any of the control bits enables the weak pull-ups for the corresponding pins.

**Note:** Pull-ups on change notification pins should always be disabled when the port pin is configured as a digital output.

### EXAMPLE 10-1: PORT WRITE/READ EXAMPLE

```
MOV    0xFF00, W0           ; Configure PORTB<15:8> as inputs
MOV    W0, TRISBB          ; and PORTB<7:0> as outputs
NOP                               ; Delay 1 cycle
BTSS   PORTB, #13          ; Next Instruction
```

## 10.6 Peripheral Pin Select (PPS)

Peripheral Pin Select configuration enables peripheral set selection and placement on a wide range of I/O pins. By increasing the pinout options available on a particular device, programmers can better tailor the microcontroller to their entire application, rather than trimming the application to fit the device.

The Peripheral Pin Select configuration feature operates over a fixed subset of digital I/O pins. Programmers can independently map the input and/or output of most digital peripherals to any one of these I/O pins. Peripheral Pin Select is performed in software and generally does not require the device to be reprogrammed. Hardware safeguards are included that prevent accidental or spurious changes to the peripheral mapping once it has been established.

### 10.6.1 AVAILABLE PINS

The Peripheral Pin Select feature is used with a range of up to 16 pins. The number of available pins depends on the particular device and its pin count. Pins that support the Peripheral Pin Select feature include the designation, “RPn”, in their full pin designation, where “RP” designates a remappable peripheral and “n” is the remappable pin number.

### 10.6.2 CONTROLLING PERIPHERAL PIN SELECT

Peripheral Pin Select features are controlled through two sets of Special Function Registers: one to map peripheral inputs and one to map outputs. Because they are separately controlled, a particular peripheral’s input and output (if the peripheral has both) can be placed on any selectable function pin without constraint.

The association of a peripheral to a peripheral selectable pin is handled in two different ways, depending on whether an input or output is being mapped.

### 10.6.2.1 Input Mapping

The inputs of the Peripheral Pin Select options are mapped on the basis of the peripheral. A control register associated with a peripheral dictates the pin it will be mapped to. The RPINRx registers are used to configure peripheral input mapping (see [Register 10-1](#) through [Register 10-15](#)). Each register contains sets of 6-bit fields, with each set associated with one of the remappable peripherals. Programming a given peripheral’s bit field with an appropriate 6-bit value maps the RPn pin with that value to that peripheral. For any given device, the valid range of values for any bit field corresponds to the maximum number of Peripheral Pin Selections supported by the device.

[Figure 10-2](#) illustrates the remappable pin selection for the U1RX input.

**Note:** For input mapping only, the Peripheral Pin Select (PPS) functionality does not have priority over the TRISx settings. Therefore, when configuring the RPx pin for input, the corresponding bit in the TRISx register must also be configured for input (i.e., set to ‘1’).

**FIGURE 10-2: REMAPPABLE MUX INPUT FOR U1RX**



**TABLE 10-1: SELECTABLE INPUT SOURCES (MAPS INPUT TO FUNCTION)**

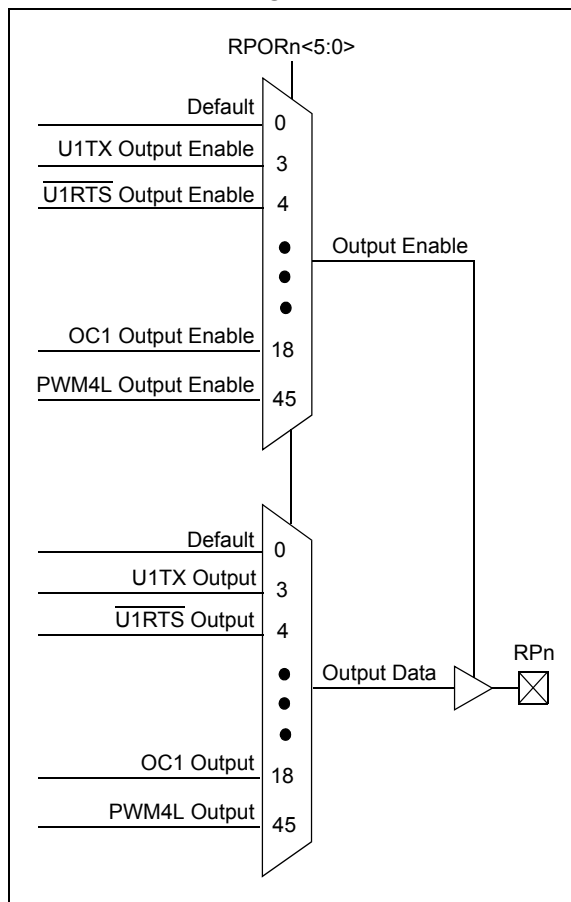
| Input Name  | Function Name      | Register | Configuration Bits |
|---|--------------------|----------|--------------------|
| External Interrupt 1                                    | INT1               | RPINR0   | INT1R<5:0>         |
| External Interrupt 2                                    | INT2               | RPINR1   | INT2R<5:0>         |
| Timer1 External Clock                                   | T1CK               | RPINR2   | T1CKR<5:0>         |
| Timer2 External Clock                                   | T2CK               | RPINR3   | T2CKR<5:0>         |
| Input Capture 1   | IC1                | RPINR7   | IC1R<5:0>          |
| Output Compare Fault A                                  | OCFA               | RPINR11  | OCFAR<5:0>         |
| UART1 Receive   | U1RX               | RPINR18  | U1RXR<5:0>         |
| UART1 Clear-to-Send                                     | $\overline{U1CTS}$ | RPINR18  | U1CTSR<5:0>        |
| SPI Data Input 1  | SDI1               | RPINR20  | SDI1R<5:0>         |
| SPI Clock Input 1                                       | SCK1               | RPINR20  | SCK1R<5:0>         |
| SPI Slave Select Input 1                                | $\overline{SS1}$   | RPINR21  | SS1R<5:0>          |
| PWM Fault Input   | FLT1               | RPINR29  | FLT1R<5:0>         |
| PWM Fault Input   | FLT2               | RPINR30  | FLT2R<5:0>         |
| PWM Fault Input   | FLT3               | RPINR30  | FLT3R<5:0>         |
| PWM Fault Input   | FLT4               | RPINR31  | FLT4R<5:0>         |
| PWM Fault Input   | FLT5               | RPINR31  | FLT5R<5:0>         |
| PWM Fault Input   | FLT6               | RPINR32  | FLT6R<5:0>         |
| PWM Fault Input   | FLT7               | RPINR32  | FLT7R<5:0>         |
| PWM Fault Input   | FLT8               | RPINR33  | FLT8R<5:0>         |
| External Synchronization Signal to PWM Master Time Base | SYNCI1             | RPINR33  | SYNCI1R<5:0>       |
| External Synchronization Signal to PWM Master Time Base | SYNCI2             | RPINR34  | SYNCI2R<5:0>       |

## 10.6.2.2 Output Mapping

In contrast to inputs, the outputs of the Peripheral Pin Select options are mapped on the basis of the pin. In this case, a control register associated with a particular pin dictates the peripheral output to be mapped. The RPORx registers are used to control output mapping. Like the RPINRx registers, each register contains sets of 6-bit fields, with each set associated with one RPn pin (see [Register 10-16](#) through [Register 10-25](#)). The value of the bit field corresponds to one of the peripherals and that peripheral's output is mapped to the pin (see [Table 10-2](#) and [Figure 10-3](#)).

The list of peripherals for output mapping also includes a null value of '00000' because of the mapping technique. This permits any given pin to remain unconnected from the output of any of the pin selectable peripherals.

**FIGURE 10-3: MULTIPLEXING OF REMAPPABLE OUTPUT FOR RPn**



**TABLE 10-2: OUTPUT SELECTION FOR REMAPPABLE PIN (RPn)**

| Function | RPORn<5:0> | Output Name   |
|----------|------------|---|
| NULL     | 000000     | RPn tied to default port pin  |
| U1TX     | 000011     | RPn tied to UART1 transmit  |
| U1RTS    | 000100     | RPn tied to UART1 Ready-to-Send   |
| SDO1     | 000111     | RPn tied to SPI1 data output  |
| SCK1     | 001000     | RPn tied to SPI1 clock output   |
| SS1      | 001001     | RPn tied to SPI1 slave select output  |
| OC1      | 010010     | RPn tied to Output Compare 1  |
| SYNCO1   | 100101     | RPn tied to external device synchronization signal via PWM master time base |
| REFCKLO  | 100110     | REFCLK output signal  |
| ACMP1    | 100111     | RPn tied to Analog Comparator 1 output                                      |
| ACMP2    | 101000     | RPn tied to Analog Comparator 2 output                                      |
| PWM4H    | 101100     | RPn tied to PWM output pins associated with PWM Generator 4                 |
| PWM4L    | 101101     | RPn tied to PWM output pins associated with PWM Generator 4                 |

## 10.6.2.3 Virtual Pins

Four virtual RPn pins (RP32, RP33, RP34 and RP35) are supported, which are identical in functionality to all other RPn pins, with the exception of pinouts. These four pins are internal to the devices and are not connected to a physical device pin.

These pins provide a simple way for inter-peripheral connection without utilizing a physical pin. For example, the output of the analog comparator can be connected to RP32 and the PWM Fault input can be configured for RP32 as well. This configuration allows the analog comparator to trigger PWM Faults without the use of an actual physical pin on the device.

## 10.6.3 CONTROLLING CONFIGURATION CHANGES

Because peripheral remapping can be changed during run time, some restrictions on peripheral remapping are needed to prevent accidental configuration changes. dsPIC33F devices include three features to prevent alterations to the peripheral map:

- Control register lock sequence
- Continuous state monitoring
- Configuration bit pin select lock

### 10.6.3.1 Control Register Lock

Under normal operation, writes to the RPINRx and RPORx registers are not allowed. Attempted writes appear to execute normally, but the contents of the registers remain unchanged. To change these registers, they must be unlocked in hardware. The register lock is controlled by the IOLOCK bit (OSCCON<6>). Setting IOLOCK prevents writes to the control registers; clearing IOLOCK allows writes.

To set or clear IOLOCK, a specific command sequence must be executed:

1. Write 0x46 to OSCCON<7:0>.
2. Write 0x57 to OSCCON<7:0>.
3. Clear (or set) IOLOCK as a single operation.

**Note:** MPLAB® C30 provides built-in C language functions for unlocking the OSCCON register:

```
__builtin_write_OSCCONL(value)  
__builtin_write_OSCCONH(value)
```

See the MPLAB C30 Help files for more information.

Unlike the similar sequence with the oscillator's LOCK bit, IOLOCK remains in one state until changed. This allows all of the Peripheral Pin Selects to be configured with a single unlock sequence, followed by an update to all control registers, then locked with a second lock sequence.

### 10.6.3.2 Continuous State Monitoring

In addition to being protected from direct writes, the contents of the RPINRx and RPORx registers are constantly monitored in hardware by shadow registers. If an unexpected change in any of the registers occurs (such as cell disturbances caused by ESD or other external events), a Configuration Mismatch Reset will be triggered.

### 10.6.3.3 Configuration Bit Pin Select Lock

As an additional level of safety, the device can be configured to prevent more than one write session to the RPINRx and RPORx registers. The IOL1WAY (FOSC<5>) Configuration bit blocks the IOLOCK bit from being cleared, after it has been set once. If IOLOCK remains set, the register unlock procedure will not execute and the Peripheral Pin Select Control registers cannot be written to. The only way to clear the bit and re-enable peripheral remapping is to perform a device Reset.

In the default (unprogrammed) state, IOL1WAY is set, restricting users to one write session. Programming IOL1WAY allows user applications unlimited access (with the proper use of the unlock sequence) to the Peripheral Pin Select registers.

## 10.7 I/O Helpful Tips

1. In some cases, certain pins, as defined in [Table 25-9](#) under “Injection Current”, have internal protection diodes to VDD and VSS. The term, “Injection Current”, is also referred to as “Clamp Current”. On designated pins, with sufficient external current limiting precautions by the user, I/O pin input voltages are allowed to be greater or less than the data sheet absolute maximum ratings with respect to the VSS and VDD supplies. Note that when the user application forward biases either of the high or low side internal input clamp diodes, that the resulting current being injected into the device that is clamped internally by the VDD and VSS power rails, may affect the ADC accuracy by four to six counts.
2. I/O pins that are shared with any analog input pin (i.e., ANx) are always analog pins by default after any Reset. Consequently, any pin(s) configured as an analog input pin, automatically disables the digital input pin buffer. As such, any attempt to read a digital input pin will always return a ‘0’, regardless of the digital logic level on the pin if the analog pin is configured. To use a pin as a digital I/O pin on a shared ANx pin, the user application needs to configure the Analog Pin register in the ADC module (i.e., ADPCFG) by setting the appropriate bit that corresponds to that I/O port pin to a ‘1’. On devices with more than one ADC, both analog pin configurations for both ADC modules must be configured as a digital I/O pin for that pin to function as a digital I/O pin.

**Note:** Although it is not possible to use a digital input pin when its analog function is enabled, it is possible to use the digital I/O output function, TRISx = 0x0, while the analog function is also enabled. However, this is not recommended, particularly if the analog input is connected to an external analog voltage source, which would create signal contention between the analog signal and the output pin driver.

3. Most I/O pins have multiple functions. Referring to the device pin diagrams in the data sheet, the priorities of the functions allocated to any pins are indicated by reading the pin name from left-to-right. The left most function name takes precedence over any function to its right in the naming convention; for example: AN2/CMP1C/CMP2A/RA2. This indicates that AN2 is the highest priority in this example and will supersede all other functions to its right in the list. Those other functions to its right, even if enabled, would not work as long as any other function to its left was enabled. This rule applies to all of the functions listed for a given pin.

4. Each CN pin has a configurable internal weak pull-up resistor. The pull-ups act as a current source connected to the pin and eliminates the need for external resistors in certain applications. The internal pull-up is to  $\sim(V_{DD} - 0.8)$ , not VDD. This is still above the minimum  $V_{IH}$  of CMOS and TTL devices.
5. When driving LEDs directly, the I/O pin can source or sink more current than what is specified in the  $V_{OH}/I_{OH}$  and  $V_{OL}/I_{OL}$  DC Characteristics specification. The respective  $I_{OH}$  and  $I_{OL}$  current rating only applies to maintaining the corresponding output at or above the  $V_{OH}$ , and at or below the  $V_{OL}$  levels. However, for LEDs, unlike digital inputs of an externally connected device, they are not governed by the same minimum  $V_{IH}/V_{IL}$  levels. An I/O pin output can safely sink or source any current less than that listed in the **“Absolute Maximum Ratings(1)”** in [Section 25.0, Electrical Characteristics](#) of this data sheet. For example:

$$V_{OH} = 2.4V @ I_{OL} = -6 \text{ mA and } V_{DD} = 3.3V$$

The maximum output current sourced by any 4x I/O pin = 15 mA.

LED source current <15 mA is technically permitted. Refer to the  $V_{OH}/I_{OH}$  graphs in [Section 26.0 “DC and AC Device Characteristics Graphs”](#) for additional information.

## 10.8 I/O Resources

Many useful resources related to I/O are provided on the Microchip web site ([www.microchip.com](http://www.microchip.com)).

### 10.8.1 KEY RESOURCES

- “*dsPIC33F/PIC24H Family Reference Manual*”, [Section 10. “I/O Ports”](#) (DS70193)
- Code Samples
- Application Notes
- Software Libraries
- Webinars
- All related “*dsPIC33F/PIC24H Family Reference Manual*” Sections
- Development Tools



## 10.9 Peripheral Pin Select Registers

The following registers are implemented for remappable peripheral configuration:

- 15 Input Remappable Peripheral Registers
- 19 Output Remappable Peripheral Registers

Not all Output Remappable Peripheral registers are implemented on all devices. See the register description of the specific register for further details.

**Note:** Input and output register values can only be changed if IOLOCK (OSCCON<6>) = 0. See [Section 10.6.3.1 “Control Register Lock”](#) for a specific command sequence.

**REGISTER 10-1: RPNR0: PERIPHERAL PIN SELECT INPUT REGISTER 0**

|        |     |            |       |       |       |       |       |
|--------|-----|------------|-------|-------|-------|-------|-------|
| U-0    | U-0 | R/W-1      | R/W-1 | R/W-1 | R/W-1 | R/W-1 | R/W-1 |
| —      | —   | INT1R<5:0> |       |       |       |       |       |
| bit 15 |     |            |       |       |       |       | bit 8 |
| U-0    | U-0 | U-0        | U-0   | U-0   | U-0   | U-0   | U-0   |
| —      | —   | —          | —     | —     | —     | —     | —     |
| bit 7  |     |            |       |       |       |       | bit 0 |

|                   |                  |                                    |                    |
|-------------------|------------------|------------------------------------|--------------------|
| <b>Legend:</b>    |                  |                                    |                    |
| R = Readable bit  | W = Writable bit | U = Unimplemented bit, read as '0' |                    |
| -n = Value at POR | '1' = Bit is set | '0' = Bit is cleared               | x = Bit is unknown |

- bit 15-14     **Unimplemented:** Read as '0'
- bit 13-8     **INT1R<5:0>:** Assign External Interrupt 1 (INTR1) to the Corresponding RPN Pin bits
  - 111111 = Input tied to Vss
  - 100011 = Input tied to RP35
  - 100010 = Input tied to RP34
  - 100001 = Input tied to RP33
  - 100000 = Input tied to RP32
  - 
  - 
  - 
  - 00000 = Input tied to RP0
- bit 7-0     **Unimplemented:** Read as '0'

# dsPIC33FJ06GS001/101A/102A/202A and dsPIC33FJ09GS302

## REGISTER 10-2: RPINR1: PERIPHERAL PIN SELECT INPUT REGISTER 1

|        |     |     |     |     |     |     |       |
|--------|-----|-----|-----|-----|-----|-----|-------|
| U-0    | U-0 | U-0 | U-0 | U-0 | U-0 | U-0 | U-0   |
| —      | —   | —   | —   | —   | —   | —   | —     |
| bit 15 |     |     |     |     |     |     | bit 8 |

|       |     |            |       |       |       |       |       |
|-------|-----|------------|-------|-------|-------|-------|-------|
| U-0   | U-0 | R/W-1      | R/W-1 | R/W-1 | R/W-1 | R/W-1 | R/W-1 |
| —     | —   | INT2R<5:0> |       |       |       |       |       |
| bit 7 |     |            |       |       |       |       | bit 0 |

### Legend:

R = Readable bit                      W = Writable bit                      U = Unimplemented bit, read as '0'  
 -n = Value at POR                      '1' = Bit is set                      '0' = Bit is cleared                      x = Bit is unknown

bit 15-6                      **Unimplemented:** Read as '0'

bit 5-0                      **INT2R<5:0>:** Assign External Interrupt 2 (INTR2) to the Corresponding RPn Pin bits

111111 = Input tied to Vss  
 100011 = Input tied to RP35  
 100010 = Input tied to RP34  
 100001 = Input tied to RP33  
 100000 = Input tied to RP32

•  
•  
•

00000 = Input tied to RP0

# dsPIC33FJ06GS001/101A/102A/202A and dsPIC33FJ09GS302

## REGISTER 10-3: RPINR2: PERIPHERAL PIN SELECT INPUT REGISTER 2

|        |     |            |       |       |       |       |       |       |
|--------|-----|------------|-------|-------|-------|-------|-------|-------|
| U-0    | U-0 | R/W-1      | R/W-1 | R/W-1 | R/W-1 | R/W-1 | R/W-1 |       |
| —      | —   | T1CKR<5:0> |       |       |       |       |       |       |
| bit 15 |     |            |       |       |       |       |       | bit 8 |

|       |     |     |     |     |     |     |     |       |
|-------|-----|-----|-----|-----|-----|-----|-----|-------|
| U-0   | U-0 | U-0 | U-0 | U-0 | U-0 | U-0 | U-0 |       |
| —     | —   | —   | —   | —   | —   | —   | —   |       |
| bit 7 |     |     |     |     |     |     |     | bit 0 |

### Legend:

R = Readable bit

W = Writable bit

U = Unimplemented bit, read as '0'

-n = Value at POR

'1' = Bit is set

'0' = Bit is cleared

x = Bit is unknown

bit 15-14      **Unimplemented:** Read as '0'

bit 13-8      **T1CKR<5:0>:** Assign Timer1 External Clock (T1CK) to the Corresponding RPn Pin bits

- 111111 = Input tied to Vss
- 100011 = Input tied to RP35
- 100010 = Input tied to RP34
- 100001 = Input tied to RP33
- 100000 = Input tied to RP32

- 
- 
- 

00000 = Input tied to RP0

bit 7-0      **Unimplemented:** Read as '0'

# dsPIC33FJ06GS001/101A/102A/202A and dsPIC33FJ09GS302

## REGISTER 10-4: RPINR3: PERIPHERAL PIN SELECT INPUT REGISTER 3

|        |     |     |     |     |     |     |       |
|--------|-----|-----|-----|-----|-----|-----|-------|
| U-0    | U-0 | U-0 | U-0 | U-0 | U-0 | U-0 | U-0   |
| —      | —   | —   | —   | —   | —   | —   | —     |
| bit 15 |     |     |     |     |     |     | bit 8 |

|       |     |            |       |       |       |       |       |
|-------|-----|------------|-------|-------|-------|-------|-------|
| U-0   | U-0 | R/W-1      | R/W-1 | R/W-1 | R/W-1 | R/W-1 | R/W-1 |
| —     | —   | T2CKR<5:0> |       |       |       |       |       |
| bit 7 |     |            |       |       |       |       | bit 0 |

### Legend:

R = Readable bit                      W = Writable bit                      U = Unimplemented bit, read as '0'  
 -n = Value at POR                      '1' = Bit is set                      '0' = Bit is cleared                      x = Bit is unknown

bit 15-6                      **Unimplemented:** Read as '0'

bit 5-0                      **T2CKR<5:0>:** Assign Timer2 External Clock (T2CK) to the Corresponding RPN Pin bits

- 111111 = Input tied to Vss
- 100011 = Input tied to RP35
- 100010 = Input tied to RP34
- 100001 = Input tied to RP33
- 100000 = Input tied to RP32
- 
- 
- 
- 000000 = Input tied to RP0

# dsPIC33FJ06GS001/101A/102A/202A and dsPIC33FJ09GS302

## REGISTER 10-5: RPINR7: PERIPHERAL PIN SELECT INPUT REGISTER 7

|        |     |     |     |     |     |       |     |
|--------|-----|-----|-----|-----|-----|-------|-----|
| U-0    | U-0 | U-0 | U-0 | U-0 | U-0 | U-0   | U-0 |
| —      | —   | —   | —   | —   | —   | —     | —   |
| bit 15 |     |     |     |     |     | bit 8 |     |

|       |     |                          |       |       |       |       |       |
|-------|-----|--------------------------|-------|-------|-------|-------|-------|
| U-0   | U-0 | R/W-1                    | R/W-1 | R/W-1 | R/W-1 | R/W-1 | R/W-1 |
| —     | —   | IC1R<5:0> <sup>(1)</sup> |       |       |       |       |       |
| bit 7 |     |                          |       |       |       | bit 0 |       |

### Legend:

R = Readable bit

W = Writable bit

U = Unimplemented bit, read as '0'

-n = Value at POR

'1' = Bit is set

'0' = Bit is cleared

x = Bit is unknown

bit 15-6      **Unimplemented:** Read as '0'

bit 5-0      **IC1R<5:0>:** Assign Input Capture 1 (IC1) to the Corresponding RPn Pin bits<sup>(1)</sup>

111111 = Input tied to Vss  
 100011 = Input tied to RP35  
 100010 = Input tied to RP34  
 100001 = Input tied to RP33  
 100000 = Input tied to RP32

•  
 •  
 •

00000 = Input tied to RP0

**Note 1:** These bits are not implemented in dsPIC33FJ06GS001/101A/102A devices.

# dsPIC33FJ06GS001/101A/102A/202A and dsPIC33FJ09GS302

## REGISTER 10-6: RPINR11: PERIPHERAL PIN SELECT INPUT REGISTER 11

|        |     |     |     |     |     |       |     |
|--------|-----|-----|-----|-----|-----|-------|-----|
| U-0    | U-0 | U-0 | U-0 | U-0 | U-0 | U-0   | U-0 |
| —      | —   | —   | —   | —   | —   | —     | —   |
| bit 15 |     |     |     |     |     | bit 8 |     |

|       |     |                           |       |       |       |       |       |  |
|-------|-----|---------------------------|-------|-------|-------|-------|-------|--|
| U-0   | U-0 | R/W-1                     | R/W-1 | R/W-1 | R/W-1 | R/W-1 | R/W-1 |  |
| —     | —   | OCFAR<5:0> <sup>(1)</sup> |       |       |       |       |       |  |
| bit 7 |     |                           |       |       |       | bit 0 |       |  |

### Legend:

R = Readable bit                      W = Writable bit                      U = Unimplemented bit, read as '0'  
 -n = Value at POR                      '1' = Bit is set                      '0' = Bit is cleared                      x = Bit is unknown

bit 15-6                      **Unimplemented:** Read as '0'

bit 5-0                      **OCFAR<5:0>:** Assign Output Compare A (OCFA) to the Corresponding RPn Pin bits<sup>(1)</sup>

- 111111 = Input tied to Vss
- 100011 = Input tied to RP35
- 100010 = Input tied to RP34
- 100001 = Input tied to RP33
- 100000 = Input tied to RP32
- 
- 
- 
- 000000 = Input tied to RP0

**Note 1:** These bits are not implemented in the dsPIC33FJ06GS001 device.

# dsPIC33FJ06GS001/101A/102A/202A and dsPIC33FJ09GS302

## REGISTER 10-7: RPINR18: PERIPHERAL PIN SELECT INPUT REGISTER 18

|        |     |                            |       |       |       |       |       |
|--------|-----|----------------------------|-------|-------|-------|-------|-------|
| U-0    | U-0 | R/W-1                      | R/W-1 | R/W-1 | R/W-1 | R/W-1 | R/W-1 |
| —      | —   | U1CTSR<5:0> <sup>(1)</sup> |       |       |       |       |       |
| bit 15 |     |                            |       |       |       |       | bit 8 |

|       |     |                           |       |       |       |       |       |
|-------|-----|---------------------------|-------|-------|-------|-------|-------|
| U-0   | U-0 | R/W-1                     | R/W-1 | R/W-1 | R/W-1 | R/W-1 | R/W-1 |
| —     | —   | U1RXR<5:0> <sup>(1)</sup> |       |       |       |       |       |
| bit 7 |     |                           |       |       |       |       | bit 0 |

### Legend:

R = Readable bit                      W = Writable bit                      U = Unimplemented bit, read as '0'  
 -n = Value at POR                      '1' = Bit is set                      '0' = Bit is cleared                      x = Bit is unknown

bit 15-14                      **Unimplemented:** Read as '0'

bit 13-8                      **U1CTSR<5:0>:** Assign UART1 Clear-to-Send ( $\overline{U1CTS}$ ) to the Corresponding RPn Pin bits<sup>(1)</sup>

- 111111 = Input tied to Vss
- 100011 = Input tied to RP35
- 100010 = Input tied to RP34
- 100001 = Input tied to RP33
- 100000 = Input tied to RP32

- 
- 
- 

00000 = Input tied to RP0

bit 7-6                      **Unimplemented:** Read as '0'

bit 5-0                      **U1RXR<5:0>:** Assign UART1 Receive (U1RX) to the Corresponding RPn Pin bits<sup>(1)</sup>

- 111111 = Input tied to Vss
- 100011 = Input tied to RP35
- 100010 = Input tied to RP34
- 100001 = Input tied to RP33
- 100000 = Input tied to RP32

- 
- 
- 

00000 = Input tied to RP0

**Note 1:** These bits are not implemented in the dsPIC33FJ06GS001 device.

# dsPIC33FJ06GS001/101A/102A/202A and dsPIC33FJ09GS302

## REGISTER 10-8: RPINR20: PERIPHERAL PIN SELECT INPUT REGISTER 20

|        |     |                           |       |       |       |       |       |
|--------|-----|---------------------------|-------|-------|-------|-------|-------|
| U-0    | U-0 | R/W-1                     | R/W-1 | R/W-1 | R/W-1 | R/W-1 | R/W-1 |
| —      | —   | SCK1R<5:0> <sup>(1)</sup> |       |       |       |       |       |
| bit 15 |     |                           |       |       |       |       | bit 8 |

|       |     |                           |       |       |       |       |       |
|-------|-----|---------------------------|-------|-------|-------|-------|-------|
| U-0   | U-0 | R/W-1                     | R/W-1 | R/W-1 | R/W-1 | R/W-1 | R/W-1 |
| —     | —   | SDI1R<5:0> <sup>(1)</sup> |       |       |       |       |       |
| bit 7 |     |                           |       |       |       |       | bit 0 |

### Legend:

R = Readable bit                      W = Writable bit                      U = Unimplemented bit, read as '0'  
 -n = Value at POR                      '1' = Bit is set                      '0' = Bit is cleared                      x = Bit is unknown

bit 15-14                      **Unimplemented:** Read as '0'

bit 13-8                      **SCK1R<5:0>:** Assign SPI1 Clock Input (SCK1) to the Corresponding RPn Pin bits<sup>(1)</sup>

111111 = Input tied to Vss  
 100011 = Input tied to RP35  
 100010 = Input tied to RP34  
 100001 = Input tied to RP33  
 100000 = Input tied to RP32

•  
•  
•

000000 = Input tied to RP0

bit 7-6                      **Unimplemented:** Read as '0'

bit 5-0                      **SDI1R<5:0>:** Assign SPI1 Data Input (SDI1) to the Corresponding RPn Pin bits<sup>(1)</sup>

111111 = Input tied to Vss  
 100011 = Input tied to RP35  
 100010 = Input tied to RP34  
 100001 = Input tied to RP33  
 100000 = Input tied to RP32

•  
•  
•

000000 = Input tied to RP0

**Note 1:** These bits are not implemented in the dsPIC33FJ06GS001 device.



# dsPIC33FJ06GS001/101A/102A/202A and dsPIC33FJ09GS302

## REGISTER 10-9: RPINR21: PERIPHERAL PIN SELECT INPUT REGISTER 21

|        |     |     |     |     |     |     |       |
|--------|-----|-----|-----|-----|-----|-----|-------|
| U-0    | U-0 | U-0 | U-0 | U-0 | U-0 | U-0 | U-0   |
| —      | —   | —   | —   | —   | —   | —   | —     |
| bit 15 |     |     |     |     |     |     | bit 8 |

|       |     |                          |       |       |       |       |       |  |
|-------|-----|--------------------------|-------|-------|-------|-------|-------|--|
| U-0   | U-0 | R/W-1                    | R/W-1 | R/W-1 | R/W-1 | R/W-1 | R/W-1 |  |
| —     | —   | SS1R<5:0> <sup>(1)</sup> |       |       |       |       |       |  |
| bit 7 |     |                          |       |       |       |       | bit 0 |  |

### Legend:

R = Readable bit                      W = Writable bit                      U = Unimplemented bit, read as '0'  
 -n = Value at POR                      '1' = Bit is set                      '0' = Bit is cleared                      x = Bit is unknown

bit 15-6                      **Unimplemented:** Read as '0'

bit 5-0                      **SS1R<5:0>:** Assign SPI1 Slave Select Input ( $\overline{SS1}$ ) to the Corresponding RPn Pin bits<sup>(1)</sup>

- 111111 = Input tied to Vss
- 100011 = Input tied to RP35
- 100010 = Input tied to RP34
- 100001 = Input tied to RP33
- 100000 = Input tied to RP32
- 
- 
- 
- 00000 = Input tied to RP0

**Note 1:** These bits are not implemented in the dsPIC33FJ06GS001 device.

# dsPIC33FJ06GS001/101A/102A/202A and dsPIC33FJ09GS302

## REGISTER 10-10: RPINR29: PERIPHERAL PIN SELECT INPUT REGISTER 29

|        |     |            |       |       |       |       |       |
|--------|-----|------------|-------|-------|-------|-------|-------|
| U-0    | U-0 | R/W-1      | R/W-1 | R/W-1 | R/W-1 | R/W-1 | R/W-1 |
| —      | —   | FLT1R<5:0> |       |       |       |       |       |
| bit 15 |     |            |       |       |       |       | bit 8 |

|       |     |     |     |     |     |     |       |
|-------|-----|-----|-----|-----|-----|-----|-------|
| U-0   | U-0 | U-0 | U-0 | U-0 | U-0 | U-0 | U-0   |
| —     | —   | —   | —   | —   | —   | —   | —     |
| bit 7 |     |     |     |     |     |     | bit 0 |

### Legend:

R = Readable bit

W = Writable bit

U = Unimplemented bit, read as '0'

-n = Value at POR

'1' = Bit is set

'0' = Bit is cleared

x = Bit is unknown

bit 15-14      **Unimplemented:** Read as '0'

bit 13-8      **FLT1R<5:0>:** Assign PWM Fault Input 1 (FLT1) to the Corresponding RPn Pin bits

111111 = Input tied to Vss

100011 = Input tied to RP35

100010 = Input tied to RP34

100001 = Input tied to RP33

100000 = Input tied to RP32

•

•

•

00000 = Input tied to RP0

bit 7-0      **Unimplemented:** Read as '0'

# dsPIC33FJ06GS001/101A/102A/202A and dsPIC33FJ09GS302

## REGISTER 10-11: RPINR30: PERIPHERAL PIN SELECT INPUT REGISTER 30

|        |     |            |       |       |       |       |       |
|--------|-----|------------|-------|-------|-------|-------|-------|
| U-0    | U-0 | R/W-1      | R/W-1 | R/W-1 | R/W-1 | R/W-1 | R/W-1 |
| —      | —   | FLT3R<5:0> |       |       |       |       |       |
| bit 15 |     |            |       |       |       |       | bit 8 |

|       |     |            |       |       |       |       |       |
|-------|-----|------------|-------|-------|-------|-------|-------|
| U-0   | U-0 | R/W-1      | R/W-1 | R/W-1 | R/W-1 | R/W-1 | R/W-1 |
| —     | —   | FLT2R<5:0> |       |       |       |       |       |
| bit 7 |     |            |       |       |       |       | bit 0 |

### Legend:

R = Readable bit                      W = Writable bit                      U = Unimplemented bit, read as '0'  
 -n = Value at POR                      '1' = Bit is set                      '0' = Bit is cleared                      x = Bit is unknown

bit 15-14                      **Unimplemented:** Read as '0'

bit 13-8                      **FLT3R<5:0>:** Assign PWM Fault Input 3 (FLT3) to the Corresponding RPn Pin bits

- 111111 = Input tied to Vss
- 100011 = Input tied to RP35
- 100010 = Input tied to RP34
- 100001 = Input tied to RP33
- 100000 = Input tied to RP32

•  
•  
•

00000 = Input tied to RP0

bit 7-6                      **Unimplemented:** Read as '0'

bit 5-0                      **FLT2R<5:0>:** Assign PWM Fault Input 2 (FLT2) to the Corresponding RPn Pin bits

- 111111 = Input tied to Vss
- 100011 = Input tied to RP35
- 100010 = Input tied to RP34
- 100001 = Input tied to RP33
- 100000 = Input tied to RP32

•  
•  
•

00000 = Input tied to RP0

# dsPIC33FJ06GS001/101A/102A/202A and dsPIC33FJ09GS302

## REGISTER 10-12: RPINR31: PERIPHERAL PIN SELECT INPUT REGISTER 31

|        |     |            |       |       |       |       |       |
|--------|-----|------------|-------|-------|-------|-------|-------|
| U-0    | U-0 | R/W-1      | R/W-1 | R/W-1 | R/W-1 | R/W-1 | R/W-1 |
| —      | —   | FLT5R<5:0> |       |       |       |       |       |
| bit 15 |     |            |       |       |       |       | bit 8 |

|       |     |            |       |       |       |       |       |
|-------|-----|------------|-------|-------|-------|-------|-------|
| U-0   | U-0 | R/W-1      | R/W-1 | R/W-1 | R/W-1 | R/W-1 | R/W-1 |
| —     | —   | FLT4R<5:0> |       |       |       |       |       |
| bit 7 |     |            |       |       |       |       | bit 0 |

### Legend:

R = Readable bit                      W = Writable bit                      U = Unimplemented bit, read as '0'  
 -n = Value at POR                      '1' = Bit is set                      '0' = Bit is cleared                      x = Bit is unknown

bit 15-14                      **Unimplemented:** Read as '0'

bit 13-8                      **FLT5R<5:0>:** Assign PWM Fault Input 5 (FLT5) to the Corresponding RPn Pin bits

111111 = Input tied to Vss  
 100011 = Input tied to RP35  
 100010 = Input tied to RP34  
 100001 = Input tied to RP33  
 100000 = Input tied to RP32

•  
 •  
 •

000000 = Input tied to RP0

bit 7-6                      **Unimplemented:** Read as '0'

bit 5-0                      **FLT4R<5:0>:** Assign PWM Fault Input 4 (FLT4) to the Corresponding RPn Pin bits

111111 = Input tied to Vss  
 100011 = Input tied to RP35  
 100010 = Input tied to RP34  
 100001 = Input tied to RP33  
 100000 = Input tied to RP32

•  
 •  
 •

000000 = Input tied to RP0

# dsPIC33FJ06GS001/101A/102A/202A and dsPIC33FJ09GS302

## REGISTER 10-13: RPINR32: PERIPHERAL PIN SELECT INPUT REGISTER 32

|        |     |            |       |       |       |       |       |
|--------|-----|------------|-------|-------|-------|-------|-------|
| U-0    | U-0 | R/W-1      | R/W-1 | R/W-1 | R/W-1 | R/W-1 | R/W-1 |
| —      | —   | FLT7R<5:0> |       |       |       |       |       |
| bit 15 |     |            |       |       |       |       | bit 8 |

|       |     |            |       |       |       |       |       |
|-------|-----|------------|-------|-------|-------|-------|-------|
| U-0   | U-0 | R/W-1      | R/W-1 | R/W-1 | R/W-1 | R/W-1 | R/W-1 |
| —     | —   | FLT6R<5:0> |       |       |       |       |       |
| bit 7 |     |            |       |       |       |       | bit 0 |

### Legend:

R = Readable bit  
-n = Value at POR

W = Writable bit  
'1' = Bit is set

U = Unimplemented bit, read as '0'  
'0' = Bit is cleared  
x = Bit is unknown

bit 15-14      **Unimplemented:** Read as '0'

bit 13-8      **FLT7R<5:0>:** Assign PWM Fault Input 7 (FLT7) to the Corresponding RPn Pin bits

111111 = Input tied to Vss  
100011 = Input tied to RP35  
100010 = Input tied to RP34  
100001 = Input tied to RP33  
100000 = Input tied to RP32

•  
•  
•

00000 = Input tied to RP0

bit 7-6      **Unimplemented:** Read as '0'

bit 5-0      **FLT6R<5:0>:** Assign PWM Fault Input 6 (FLT6) to the Corresponding RPn Pin bits

111111 = Input tied to Vss  
100011 = Input tied to RP35  
100010 = Input tied to RP34  
100001 = Input tied to RP33  
100000 = Input tied to RP32

•  
•  
•

00000 = Input tied to RP0

# dsPIC33FJ06GS001/101A/102A/202A and dsPIC33FJ09GS302

## REGISTER 10-14: RPINR33: PERIPHERAL PIN SELECT INPUT REGISTER 33

|        |     |             |       |       |       |       |       |
|--------|-----|-------------|-------|-------|-------|-------|-------|
| U-0    | U-0 | R/W-1       | R/W-1 | R/W-1 | R/W-1 | R/W-1 | R/W-1 |
| —      | —   | SYNC1R<5:0> |       |       |       |       |       |
| bit 15 |     |             |       |       |       |       | bit 8 |

|       |     |            |       |       |       |       |       |
|-------|-----|------------|-------|-------|-------|-------|-------|
| U-0   | U-0 | R/W-1      | R/W-1 | R/W-1 | R/W-1 | R/W-1 | R/W-1 |
| —     | —   | FLT8R<5:0> |       |       |       |       |       |
| bit 7 |     |            |       |       |       |       | bit 0 |

### Legend:

R = Readable bit                      W = Writable bit                      U = Unimplemented bit, read as '0'  
 -n = Value at POR                      '1' = Bit is set                      '0' = Bit is cleared                      x = Bit is unknown

bit 15-14                      **Unimplemented:** Read as '0'

bit 13-8                      **SYNC1R<5:0>:** Assign PWM Master Time Base External Synchronization Signal to the Corresponding RPn Pin bits

- 111111 = Input tied to Vss
- 100011 = Input tied to RP35
- 100010 = Input tied to RP34
- 100001 = Input tied to RP33
- 100000 = Input tied to RP32

•  
•  
•

00000 = Input tied to RP0

bit 7-6                      **Unimplemented:** Read as '0'

bit 5-0                      **FLT8R<5:0>:** Assign PWM Fault Input 8 (FLT8) to the Corresponding RPn Pin bits

- 111111 = Input tied to Vss
- 100011 = Input tied to RP35
- 100010 = Input tied to RP34
- 100001 = Input tied to RP33
- 100000 = Input tied to RP32

•  
•  
•

00000 = Input tied to RP0

# dsPIC33FJ06GS001/101A/102A/202A and dsPIC33FJ09GS302

## REGISTER 10-15: RPINR34: PERIPHERAL PIN SELECT INPUT REGISTER 34

|        |     |     |     |     |     |     |       |
|--------|-----|-----|-----|-----|-----|-----|-------|
| U-0    | U-0 | U-0 | U-0 | U-0 | U-0 | U-0 | U-0   |
| —      | —   | —   | —   | —   | —   | —   | —     |
| bit 15 |     |     |     |     |     |     | bit 8 |

|       |     |              |       |       |       |       |       |
|-------|-----|--------------|-------|-------|-------|-------|-------|
| U-0   | U-0 | R/W-1        | R/W-1 | R/W-1 | R/W-1 | R/W-1 | R/W-1 |
| —     | —   | SYNCI2R<5:0> |       |       |       |       |       |
| bit 7 |     |              |       |       |       |       | bit 0 |

|                   |                  |                                    |                    |
|-------------------|------------------|------------------------------------|--------------------|
| <b>Legend:</b>    |                  |                                    |                    |
| R = Readable bit  | W = Writable bit | U = Unimplemented bit, read as '0' |                    |
| -n = Value at POR | '1' = Bit is set | '0' = Bit is cleared               | x = Bit is unknown |

- bit 15-6      **Unimplemented:** Read as '0'
- bit 5-0      **SYNCI2R<5:0>:** Assign PWM Master Time Base External Synchronization Signal to the Corresponding RPn Pin bits
  - 111111 = Input tied to Vss
  - 100011 = Input tied to RP35
  - 100010 = Input tied to RP34
  - 100001 = Input tied to RP33
  - 100000 = Input tied to RP32
  - 
  - 
  - 
  - 000000 = Input tied to RP0

# dsPIC33FJ06GS001/101A/102A/202A and dsPIC33FJ09GS302

## REGISTER 10-16: RPOR0: PERIPHERAL PIN SELECT OUTPUT REGISTER 0

|        |     |           |       |       |       |       |       |
|--------|-----|-----------|-------|-------|-------|-------|-------|
| U-0    | U-0 | R/W-0     | R/W-0 | R/W-0 | R/W-0 | R/W-0 | R/W-0 |
| —      | —   | RP1R<5:0> |       |       |       |       |       |
| bit 15 |     |           |       |       |       |       | bit 8 |

|       |     |           |       |       |       |       |       |
|-------|-----|-----------|-------|-------|-------|-------|-------|
| U-0   | U-0 | R/W-0     | R/W-0 | R/W-0 | R/W-0 | R/W-0 | R/W-0 |
| —     | —   | RP0R<5:0> |       |       |       |       |       |
| bit 7 |     |           |       |       |       |       | bit 0 |

### Legend:

R = Readable bit                      W = Writable bit                      U = Unimplemented bit, read as '0'  
 -n = Value at POR                      '1' = Bit is set                      '0' = Bit is cleared                      x = Bit is unknown

- bit 15-14      **Unimplemented:** Read as '0'
- bit 13-8      **RP1R<5:0>:** Peripheral Output Function is Assigned to RP1 Output Pin bits  
 (see [Table 10-2](#) for peripheral function numbers)
- bit 7-6      **Unimplemented:** Read as '0'
- bit 5-0      **RP0R<5:0>:** Peripheral Output Function is Assigned to RP0 Output Pin bits  
 (see [Table 10-2](#) for peripheral function numbers)

## REGISTER 10-17: RPOR1: PERIPHERAL PIN SELECT OUTPUT REGISTER 1

|        |     |           |       |       |       |       |       |
|--------|-----|-----------|-------|-------|-------|-------|-------|
| U-0    | U-0 | R/W-0     | R/W-0 | R/W-0 | R/W-0 | R/W-0 | R/W-0 |
| —      | —   | RP3R<5:0> |       |       |       |       |       |
| bit 15 |     |           |       |       |       |       | bit 8 |

|       |     |           |       |       |       |       |       |
|-------|-----|-----------|-------|-------|-------|-------|-------|
| U-0   | U-0 | R/W-0     | R/W-0 | R/W-0 | R/W-0 | R/W-0 | R/W-0 |
| —     | —   | RP2R<5:0> |       |       |       |       |       |
| bit 7 |     |           |       |       |       |       | bit 0 |

### Legend:

R = Readable bit                      W = Writable bit                      U = Unimplemented bit, read as '0'  
 -n = Value at POR                      '1' = Bit is set                      '0' = Bit is cleared                      x = Bit is unknown

- bit 15-14      **Unimplemented:** Read as '0'
- bit 13-8      **RP3R<5:0>:** Peripheral Output Function is Assigned to RP3 Output Pin bits  
 (see [Table 10-2](#) for peripheral function numbers)
- bit 7-6      **Unimplemented:** Read as '0'
- bit 5-0      **RP2R<5:0>:** Peripheral Output Function is Assigned to RP2 Output Pin bits  
 (see [Table 10-2](#) for peripheral function numbers)



## REGISTER 10-18: RPOR2: PERIPHERAL PIN SELECT OUTPUT REGISTER 2

|        |     |           |       |       |       |       |       |
|--------|-----|-----------|-------|-------|-------|-------|-------|
| U-0    | U-0 | R/W-0     | R/W-0 | R/W-0 | R/W-0 | R/W-0 | R/W-0 |
| —      | —   | RP5R<5:0> |       |       |       |       |       |
| bit 15 |     |           |       |       |       |       | bit 8 |

|       |     |           |       |       |       |       |       |
|-------|-----|-----------|-------|-------|-------|-------|-------|
| U-0   | U-0 | R/W-0     | R/W-0 | R/W-0 | R/W-0 | R/W-0 | R/W-0 |
| —     | —   | RP4R<5:0> |       |       |       |       |       |
| bit 7 |     |           |       |       |       |       | bit 0 |

**Legend:**

|                   |                  |  |
|-------------------|------------------|--|
| R = Readable bit  | W = Writable bit | U = Unimplemented bit, read as '0'           |
| -n = Value at POR | '1' = Bit is set | '0' = Bit is cleared      x = Bit is unknown |

- bit 15-14      **Unimplemented:** Read as '0'
- bit 13-8      **RP5R<5:0>:** Peripheral Output Function is Assigned to RP5 Output Pin bits  
(see [Table 10-2](#) for peripheral function numbers)
- bit 7-6      **Unimplemented:** Read as '0'
- bit 5-0      **RP4R<5:0>:** Peripheral Output Function is Assigned to RP4 Output Pin bits  
(see [Table 10-2](#) for peripheral function numbers)

## REGISTER 10-19: RPOR3: PERIPHERAL PIN SELECT OUTPUT REGISTER 3

|        |     |           |       |       |       |       |       |
|--------|-----|-----------|-------|-------|-------|-------|-------|
| U-0    | U-0 | R/W-0     | R/W-0 | R/W-0 | R/W-0 | R/W-0 | R/W-0 |
| —      | —   | RP7R<5:0> |       |       |       |       |       |
| bit 15 |     |           |       |       |       |       | bit 8 |

|       |     |           |       |       |       |       |       |
|-------|-----|-----------|-------|-------|-------|-------|-------|
| U-0   | U-0 | R/W-0     | R/W-0 | R/W-0 | R/W-0 | R/W-0 | R/W-0 |
| —     | —   | RP6R<5:0> |       |       |       |       |       |
| bit 7 |     |           |       |       |       |       | bit 0 |

**Legend:**

|                   |                  |  |
|-------------------|------------------|--|
| R = Readable bit  | W = Writable bit | U = Unimplemented bit, read as '0'           |
| -n = Value at POR | '1' = Bit is set | '0' = Bit is cleared      x = Bit is unknown |

- bit 15-14      **Unimplemented:** Read as '0'
- bit 13-8      **RP7R<5:0>:** Peripheral Output Function is Assigned to RP7 Output Pin bits  
(see [Table 10-2](#) for peripheral function numbers)
- bit 7-6      **Unimplemented:** Read as '0'
- bit 5-0      **RP6R<5:0>:** Peripheral Output Function is Assigned to RP6 Output Pin bits  
(see [Table 10-2](#) for peripheral function numbers)

# dsPIC33FJ06GS001/101A/102A/202A and dsPIC33FJ09GS302

## REGISTER 10-20: RPOR4: PERIPHERAL PIN SELECT OUTPUT REGISTER 4

|        |     |                          |       |       |       |       |       |
|--------|-----|--------------------------|-------|-------|-------|-------|-------|
| U-0    | U-0 | R/W-0                    | R/W-0 | R/W-0 | R/W-0 | R/W-0 | R/W-0 |
| —      | —   | RP9R<5:0> <sup>(1)</sup> |       |       |       |       |       |
| bit 15 |     |                          |       |       |       |       | bit 8 |

|       |     |                          |       |       |       |       |       |
|-------|-----|--------------------------|-------|-------|-------|-------|-------|
| U-0   | U-0 | R/W-0                    | R/W-0 | R/W-0 | R/W-0 | R/W-0 | R/W-0 |
| —     | —   | RP8R<5:0> <sup>(1)</sup> |       |       |       |       |       |
| bit 7 |     |                          |       |       |       |       | bit 0 |

### Legend:

R = Readable bit                      W = Writable bit                      U = Unimplemented bit, read as '0'  
 -n = Value at POR                      '1' = Bit is set                      '0' = Bit is cleared                      x = Bit is unknown

- bit 15-14      **Unimplemented:** Read as '0'
- bit 13-8      **RP9R<5:0>:** Peripheral Output Function is Assigned to RP9 Output Pin bits<sup>(1)</sup>  
                   (see [Table 10-2](#) for peripheral function numbers)
- bit 7-6        **Unimplemented:** Read as '0'
- bit 5-0        **RP8R<5:0>:** Peripheral Output Function is Assigned to RP8 Output Pin bits<sup>(1)</sup>  
                   (see [Table 10-2](#) for peripheral function numbers)

**Note 1:** These bits are not implemented in dsPIC33FJ06GS001/101A devices.

## REGISTER 10-21: RPOR5: PERIPHERAL PIN SELECT OUTPUT REGISTER 5

|        |     |                           |       |       |       |       |       |
|--------|-----|---------------------------|-------|-------|-------|-------|-------|
| U-0    | U-0 | R/W-0                     | R/W-0 | R/W-0 | R/W-0 | R/W-0 | R/W-0 |
| —      | —   | RP11R<5:0> <sup>(1)</sup> |       |       |       |       |       |
| bit 15 |     |                           |       |       |       |       | bit 8 |

|       |     |                           |       |       |       |       |       |
|-------|-----|---------------------------|-------|-------|-------|-------|-------|
| U-0   | U-0 | R/W-0                     | R/W-0 | R/W-0 | R/W-0 | R/W-0 | R/W-0 |
| —     | —   | RP10R<5:0> <sup>(1)</sup> |       |       |       |       |       |
| bit 7 |     |                           |       |       |       |       | bit 0 |

### Legend:

R = Readable bit                      W = Writable bit                      U = Unimplemented bit, read as '0'  
 -n = Value at POR                      '1' = Bit is set                      '0' = Bit is cleared                      x = Bit is unknown

- bit 15-14      **Unimplemented:** Read as '0'
- bit 13-8      **RP11R<5:0>:** Peripheral Output Function is Assigned to RP11 Output Pin bits<sup>(1)</sup>  
                   (see [Table 10-2](#) for peripheral function numbers)
- bit 7-6        **Unimplemented:** Read as '0'
- bit 5-0        **RP10R<5:0>:** Peripheral Output Function is Assigned to RP10 Output Pin bits<sup>(1)</sup>  
                   (see [Table 10-2](#) for peripheral function numbers)

**Note 1:** These bits are not implemented in dsPIC33FJ06GS001/101A devices.

# dsPIC33FJ06GS001/101A/102A/202A and dsPIC33FJ09GS302

## REGISTER 10-22: RPOR6: PERIPHERAL PIN SELECT OUTPUT REGISTER 6

|        |     |                           |       |       |       |       |       |
|--------|-----|---------------------------|-------|-------|-------|-------|-------|
| U-0    | U-0 | R/W-0                     | R/W-0 | R/W-0 | R/W-0 | R/W-0 | R/W-0 |
| —      | —   | RP13R<5:0> <sup>(1)</sup> |       |       |       |       |       |
| bit 15 |     |                           |       |       |       |       | bit 8 |

|       |     |                           |       |       |       |       |       |
|-------|-----|---------------------------|-------|-------|-------|-------|-------|
| U-0   | U-0 | R/W-0                     | R/W-0 | R/W-0 | R/W-0 | R/W-0 | R/W-0 |
| —     | —   | RP12R<5:0> <sup>(1)</sup> |       |       |       |       |       |
| bit 7 |     |                           |       |       |       |       | bit 0 |

### Legend:

R = Readable bit                      W = Writable bit                      U = Unimplemented bit, read as '0'  
 -n = Value at POR                      '1' = Bit is set                      '0' = Bit is cleared                      x = Bit is unknown

- bit 15-14      **Unimplemented:** Read as '0'
- bit 13-8      **RP13R<5:0>:** Peripheral Output Function is Assigned to RP13 Output Pin bits<sup>(1)</sup>  
                   (see [Table 10-2](#) for peripheral function numbers)
- bit 7-6        **Unimplemented:** Read as '0'
- bit 5-0        **RP12R<5:0>:** Peripheral Output Function is Assigned to RP12 Output Pin bits<sup>(1)</sup>  
                   (see [Table 10-2](#) for peripheral function numbers)

**Note 1:** These bits are not implemented in dsPIC33FJ06GS001/101A devices.

## REGISTER 10-23: RPOR7: PERIPHERAL PIN SELECT OUTPUT REGISTER 7

|        |     |                           |       |       |       |       |       |
|--------|-----|---------------------------|-------|-------|-------|-------|-------|
| U-0    | U-0 | R/W-0                     | R/W-0 | R/W-0 | R/W-0 | R/W-0 | R/W-0 |
| —      | —   | RP15R<5:0> <sup>(1)</sup> |       |       |       |       |       |
| bit 15 |     |                           |       |       |       |       | bit 8 |

|       |     |                           |       |       |       |       |       |
|-------|-----|---------------------------|-------|-------|-------|-------|-------|
| U-0   | U-0 | R/W-0                     | R/W-0 | R/W-0 | R/W-0 | R/W-0 | R/W-0 |
| —     | —   | RP14R<5:0> <sup>(1)</sup> |       |       |       |       |       |
| bit 7 |     |                           |       |       |       |       | bit 0 |

### Legend:

R = Readable bit                      W = Writable bit                      U = Unimplemented bit, read as '0'  
 -n = Value at POR                      '1' = Bit is set                      '0' = Bit is cleared                      x = Bit is unknown

- bit 15-14      **Unimplemented:** Read as '0'
- bit 13-8      **RP15R<5:0>:** Peripheral Output Function is Assigned to RP15 Output Pin bits<sup>(1)</sup>  
                   (see [Table 10-2](#) for peripheral function numbers)
- bit 7-6        **Unimplemented:** Read as '0'
- bit 5-0        **RP14R<5:0>:** Peripheral Output Function is Assigned to RP14 Output Pin bits<sup>(1)</sup>  
                   (see [Table 10-2](#) for peripheral function numbers)

**Note 1:** These bits are not implemented in dsPIC33FJ06GS001/101A devices.

# dsPIC33FJ06GS001/101A/102A/202A and dsPIC33FJ09GS302

## REGISTER 10-24: RPOR16: PERIPHERAL PIN SELECT OUTPUT REGISTER 16

|        |     |            |       |       |       |       |       |
|--------|-----|------------|-------|-------|-------|-------|-------|
| U-0    | U-0 | R/W-0      | R/W-0 | R/W-0 | R/W-0 | R/W-0 | R/W-0 |
| —      | —   | RP33R<5:0> |       |       |       |       |       |
| bit 15 |     |            |       |       |       |       | bit 8 |

|       |     |            |       |       |       |       |       |
|-------|-----|------------|-------|-------|-------|-------|-------|
| U-0   | U-0 | R/W-0      | R/W-0 | R/W-0 | R/W-0 | R/W-0 | R/W-0 |
| —     | —   | RP32R<5:0> |       |       |       |       |       |
| bit 7 |     |            |       |       |       |       | bit 0 |

### Legend:

R = Readable bit                      W = Writable bit                      U = Unimplemented bit, read as '0'  
 -n = Value at POR                      '1' = Bit is set                      '0' = Bit is cleared                      x = Bit is unknown

- bit 15-14      **Unimplemented:** Read as '0'
- bit 13-8      **RP33R<5:0>:** Peripheral Output Function is Assigned to RP33 Output Pin bits  
 (see [Table 10-2](#) for peripheral function numbers)
- bit 7-6        **Unimplemented:** Read as '0'
- bit 5-0        **RP32R<5:0>:** Peripheral Output Function is Assigned to RP32 Output Pin bits  
 (see [Table 10-2](#) for peripheral function numbers)

## REGISTER 10-25: RPOR17: PERIPHERAL PIN SELECT OUTPUT REGISTER 17

|        |     |            |       |       |       |       |       |
|--------|-----|------------|-------|-------|-------|-------|-------|
| U-0    | U-0 | R/W-0      | R/W-0 | R/W-0 | R/W-0 | R/W-0 | R/W-0 |
| —      | —   | RP35R<5:0> |       |       |       |       |       |
| bit 15 |     |            |       |       |       |       | bit 8 |

|       |     |            |       |       |       |       |       |
|-------|-----|------------|-------|-------|-------|-------|-------|
| U-0   | U-0 | R/W-0      | R/W-0 | R/W-0 | R/W-0 | R/W-0 | R/W-0 |
| —     | —   | RP34R<5:0> |       |       |       |       |       |
| bit 7 |     |            |       |       |       |       | bit 0 |

### Legend:

R = Readable bit                      W = Writable bit                      U = Unimplemented bit, read as '0'  
 -n = Value at POR                      '1' = Bit is set                      '0' = Bit is cleared                      x = Bit is unknown

- bit 15-14      **Unimplemented:** Read as '0'
- bit 13-8      **RP35R<5:0>:** Peripheral Output Function is Assigned to RP35 Output Pin bits  
 (see [Table 10-2](#) for peripheral function numbers)
- bit 7-6        **Unimplemented:** Read as '0'
- bit 5-0        **RP34R<5:0>:** Peripheral Output Function is Assigned to RP34 Output Pin bits  
 (see [Table 10-2](#) for peripheral function numbers)

11.0 TIMER1

**Note 1:** This data sheet summarizes the features of the dsPIC33FJ06GS001/101A/102A/202A and dsPIC33FJ09GS302 families of devices. It is not intended to be a comprehensive reference source. To complement the information in this data sheet, refer to **Section 11. “Timers”** (DS70205) in the “dsPIC33F/PIC24H Family Reference Manual”, which is available from the Microchip web site ([www.microchip.com](http://www.microchip.com)).

**2:** Some registers and associated bits described in this section may not be available on all devices. Refer to **Section 4.0 “Memory Organization”** in this data sheet for device-specific register and bit information.

The Timer1 module is a 16-bit timer, which can serve as a time counter for the Real-Time Clock (RTC) or operate as a free-running interval timer/counter.

The Timer1 module has the following unique features over other timers:

- Can be operated from the low-power 32 kHz crystal oscillator available on the device
- Can be operated in Asynchronous Counter mode from an external clock source
- The Timer1 External Clock Input (T1CK) can optionally be synchronized to the internal device clock and the clock synchronization is performed after the prescaler

The unique features of Timer1 allow it to be used for Real-Time Clock applications. A block diagram of Timer1 is shown in [Figure 11-1](#).

The Timer1 module can operate in one of the following modes:

- Timer mode
- Gated Timer mode
- Synchronous Counter mode
- Asynchronous Counter mode

In Timer and Gated Timer modes, the input clock is derived from the internal instruction cycle clock (FCY). In Synchronous and Asynchronous Counter modes, the input clock is derived from the external clock input at the T1CK pin.

The Timer1 modes are determined by the following bits:

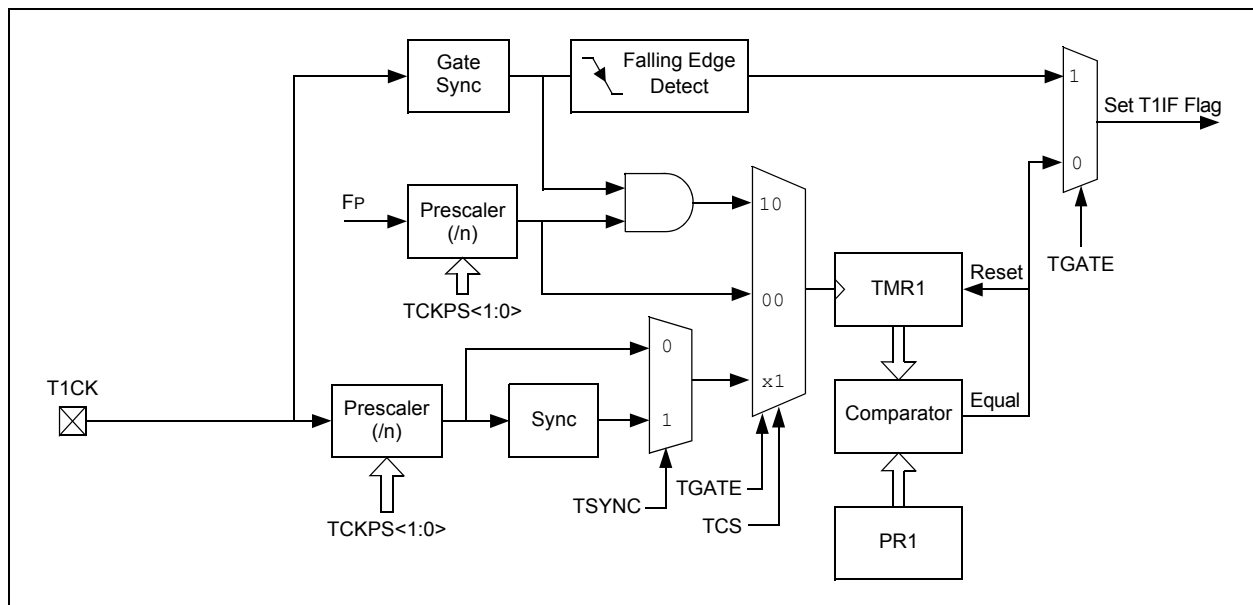
- Timer1 Clock Source Control bit: TCS (T1CON<1>)
- Timer1 Synchronization Control bit: TSYNC (T1CON<2>)
- Timer1 Gate Control bit: TGATE (T1CON<6>)

The Timer1 control bit settings for different operating modes are given in the [Table 11-1](#).

**TABLE 11-1: TIMER1 MODE SETTINGS**

| Mode                 | TCS | TGATE | TSYNC |
|----------------------|-----|-------|-------|
| Timer1               | 0   | 0     | x     |
| Gated Timer1         | 0   | 1     | x     |
| Synchronous Counter  | 1   | x     | 1     |
| Asynchronous Counter | 1   | x     | 0     |

**FIGURE 11-1: 16-BIT TIMER1 MODULE BLOCK DIAGRAM**



## 11.1 Timer1 Control Register

**REGISTER 11-1: T1CON: TIMER1 CONTROL REGISTER**

|        |     |       |     |     |     |     |       |
|--------|-----|-------|-----|-----|-----|-----|-------|
| R/W-0  | U-0 | R/W-0 | U-0 | U-0 | U-0 | U-0 | U-0   |
| TON    | —   | TSIDL | —   | —   | —   | —   | —     |
| bit 15 |     |       |     |     |     |     | bit 8 |

|       |       |            |       |     |       |       |       |
|-------|-------|------------|-------|-----|-------|-------|-------|
| U-0   | R/W-0 | R/W-0      | R/W-0 | U-0 | R/W-0 | R/W-0 | U-0   |
| —     | TGATE | TCKPS<1:0> |       | —   | TSYNC | TCS   | —     |
| bit 7 |       |            |       |     |       |       | bit 0 |

**Legend:**

R = Readable bit                      W = Writable bit                      U = Unimplemented bit, read as '0'  
 -n = Value at POR                      '1' = Bit is set                      '0' = Bit is cleared                      x = Bit is unknown

- bit 15            **TON:** Timer1 On bit  
                   1 = Starts 16-bit Timer1  
                   0 = Stops 16-bit Timer1
- bit 14            **Unimplemented:** Read as '0'
- bit 13            **TSIDL:** Stop in Idle Mode bit  
                   1 = Discontinues module operation when device enters Idle mode  
                   0 = Continues module operation in Idle mode
- bit 12-7        **Unimplemented:** Read as '0'
- bit 6            **TGATE:** Timer1 Gated Time Accumulation Enable bit  
                   When TCS = 1:  
                   This bit is ignored.  
                   When TCS = 0:  
                   1 = Gated time accumulation is enabled  
                   0 = Gated time accumulation is disabled
- bit 5-4        **TCKPS<1:0>:** Timer1 Input Clock Prescale Select bits  
                   11 = 1:256  
                   10 = 1:64  
                   01 = 1:8  
                   00 = 1:1
- bit 3            **Unimplemented:** Read as '0'
- bit 2            **TSYNC:** Timer1 External Clock Input Synchronization Select bit  
                   When TCS = 1:  
                   1 = Synchronizes external clock input  
                   0 = Does not synchronize external clock input  
                   When TCS = 0:  
                   This bit is ignored.
- bit 1            **TCS:** Timer1 Clock Source Select bit  
                   1 = External clock from T1CK pin (on the rising edge)  
                   0 = Internal clock (FCY)
- bit 0            **Unimplemented:** Read as '0'

## 12.0 TIMER2 FEATURES

**Note 1:** This data sheet summarizes the features of the dsPIC33FJ06GS001/101A/102A/202A and dsPIC33FJ09GS302 families of devices. It is not intended to be a comprehensive reference source. To complement the information in this data sheet, refer to **Section 11. “Timers”** (DS70205) in the “*dsPIC33F/PIC24H Family Reference Manual*”, which is available on the Microchip web site ([www.microchip.com](http://www.microchip.com)).

**2:** Some registers and associated bits described in this section may not be available on all devices. Refer to **Section 4.0 “Memory Organization”** in this data sheet for device-specific register and bit information.

Timer2 is a Type B timer with an external clock input (TxCK) that is always synchronized to the internal device clock and the clock synchronization is performed after the prescaler.

The Timer2 module can operate in one of the following modes:

- Timer mode
- Gated Timer mode
- Synchronous Counter mode

In Timer and Gated Timer modes, the input clock is derived from the internal instruction cycle clock (FCY). In Synchronous Counter mode, the input clock is derived from the external clock input at the TxCK pin.

The Timer modes are determined by the following bits:

- TCS (TxCON<1>): Timer Clock Source Control bit
- TGATE (TxCON<6>): Timer Gate Control bit

The Timer control bit settings for different operating modes are given in [Table 12-1](#).

**TABLE 12-1: TIMER MODE SETTINGS**

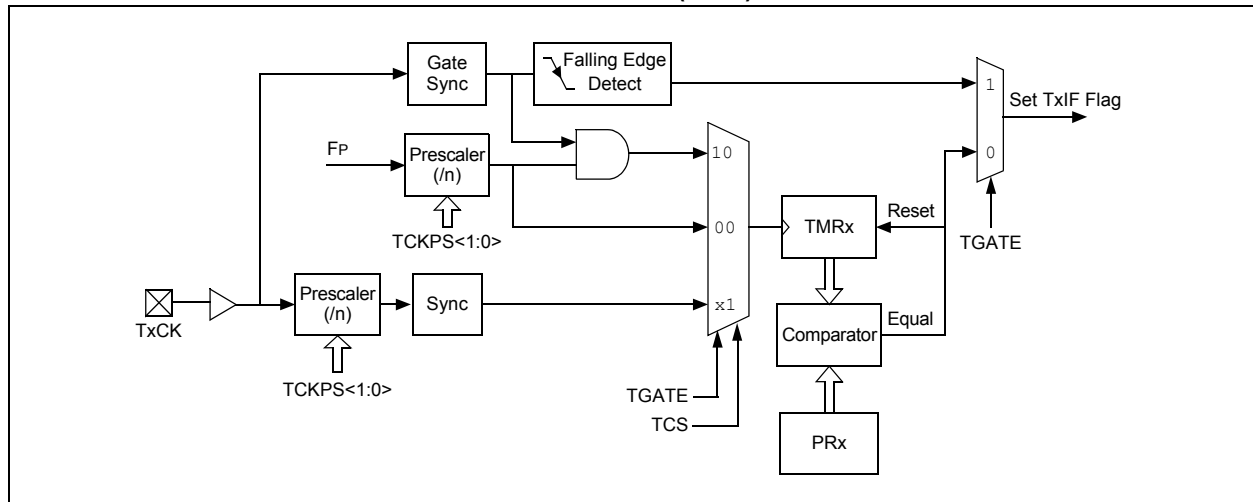
| Mode                | TCS | TGATE |
|---------------------|-----|-------|
| Timer               | 0   | 0     |
| Gated Timer         | 0   | 1     |
| Synchronous Counter | 1   | x     |

### 12.1 16-Bit Operation

To configure any of the timers for individual 16-bit operation:

1. Select the timer prescaler ratio using the TCKPS<1:0> bits.
2. Set the Clock and Gating modes using the TCS and TGATE bits.
3. Load the Timer Period value into the PRx register.
4. If interrupts are required, set the Timerx Interrupt Enable bit, TxIE. Use the priority bits, TxIP<2:0>, to set the interrupt priority.
5. Set the TON bit.

**FIGURE 12-1: TYPE B TIMER BLOCK DIAGRAM (x = 2)**



## 12.2 Timer2 Control Register

**REGISTER 12-1: T2CON: TIMER2 CONTROL REGISTER**

|        |     |       |     |     |     |     |       |
|--------|-----|-------|-----|-----|-----|-----|-------|
| R/W-0  | U-0 | R/W-0 | U-0 | U-0 | U-0 | U-0 | U-0   |
| TON    | —   | TSIDL | —   | —   | —   | —   | —     |
| bit 15 |     |       |     |     |     |     | bit 8 |

|       |       |            |       |     |     |       |       |
|-------|-------|------------|-------|-----|-----|-------|-------|
| U-0   | R/W-0 | R/W-0      | R/W-0 | U-0 | U-0 | R/W-0 | U-0   |
| —     | TGATE | TCKPS<1:0> |       | —   | —   | TCS   | —     |
| bit 7 |       |            |       |     |     |       | bit 0 |

**Legend:**

|                   |                  |  |
|-------------------|------------------|--|
| R = Readable bit  | W = Writable bit | U = Unimplemented bit, read as '0'           |
| -n = Value at POR | '1' = Bit is set | '0' = Bit is cleared      x = Bit is unknown |

- bit 15      **TON:** Timerx On bit  
1 = Starts 16-bit timer  
0 = Stops 16-bit timer
- bit 14      **Unimplemented:** Read as '0'
- bit 13      **TSIDL:** Stop in Idle Mode bit  
1 = Discontinues timer operation when device enters Idle mode  
0 = Continues timer operation in Idle mode
- bit 12-7    **Unimplemented:** Read as '0'
- bit 6      **TGATE:** Timerx Gated Time Accumulation Enable bit  
When TCS = 1:  
This bit is ignored.  
When TCS = 0:  
1 = Gated time accumulation is enabled  
0 = Gated time accumulation is disabled
- bit 5-4     **TCKPS<1:0>:** Timerx Input Clock Prescale Select bits  
11 = 1:256 prescale value  
10 = 1:64 prescale value  
01 = 1:8 prescale value  
00 = 1:1 prescale value
- bit 3-2     **Unimplemented:** Read as '0'
- bit 1      **TCS:** Timerx Clock Source Select bit  
1 = External clock from T2CK pin  
0 = Internal clock (FOSC/2)
- bit 0      **Unimplemented:** Read as '0'



13.0 INPUT CAPTURE

**Note 1:** This data sheet summarizes the features of the dsPIC33FJ06GS001/101A/102A/202A and dsPIC33FJ09GS302 families of devices. It is not intended to be a comprehensive reference source. To complement the information in this data sheet, refer to **Section 12. “Input Capture”** (DS70198) in the “dsPIC33F/PIC24H Family Reference Manual”, which is available on the Microchip web site ([www.microchip.com](http://www.microchip.com)).

**2:** Some registers and associated bits described in this section may not be available on all devices. Refer to **Section 4.0 “Memory Organization”** in this data sheet for device-specific register and bit information.

The input capture module is useful in applications requiring frequency (period) and pulse measurement.

The input capture module captures the 16-bit value of the selected Time Base register when an event occurs at the IC1 pin. The events that cause a capture event are listed below in three categories:

- Simple Capture Event modes:
  - Capture timer value on every falling edge of input at IC1 pin
  - Capture timer value on every rising edge of input at IC1 pin
- Capture timer value on every edge (rising and falling)
- Prescaler Capture Event modes:
  - Capture timer value on every 4th rising edge of input at IC1 pin
  - Capture timer value on every 16th rising edge of input at IC1 pin

The input capture module uses the Timer2 module as its timer; however, it can use either an internal or external clock.

Other operational features include:

- Device wake-up from capture pin during CPU Sleep and Idle modes
- Interrupt on input capture event
- 4-word FIFO buffer for capture values:
  - Interrupt optionally generated after 1, 2, 3 or 4 buffer locations are filled
- Use of input capture to provide additional sources of external interrupts

FIGURE 13-1: INPUT CAPTURE BLOCK DIAGRAM



# dsPIC33FJ06GS001/101A/102A/202A and dsPIC33FJ09GS302

## 13.1 Input Capture Registers

### REGISTER 13-1: IC1CON: INPUT CAPTURE 1 CONTROL REGISTER

|        |     |        |     |     |     |       |     |
|--------|-----|--------|-----|-----|-----|-------|-----|
| U-0    | U-0 | R/W-0  | U-0 | U-0 | U-0 | U-0   | U-0 |
| —      | —   | ICSIDL | —   | —   | —   | —     | —   |
| bit 15 |     |        |     |     |     | bit 8 |     |

|                      |          |       |         |         |          |       |       |
|----------------------|----------|-------|---------|---------|----------|-------|-------|
| R/W-0                | R/W-0    | R/W-0 | R-0, HC | R-0, HC | R/W-0    | R/W-0 | R/W-0 |
| ICTMR <sup>(1)</sup> | ICI<1:0> |       | ICOV    | ICBNE   | ICM<2:0> |       |       |
| bit 7                |          |       |         |         |          | bit 0 |       |

|                   |                                    |
|-------------------|------------------------------------|
| <b>Legend:</b>    | HC = Hardware Clearable bit        |
| R = Readable bit  | W = Writable bit                   |
| -n = Value at POR | '1' = Bit is set                   |
|                   | U = Unimplemented bit, read as '0' |
|                   | '0' = Bit is cleared               |
|                   | x = Bit is unknown                 |

- bit 15-14     **Unimplemented:** Read as '0'
- bit 13       **ICSIDL:** Input Capture Module Stop in Idle Control bit
  - 1 = Input capture module halts in CPU Idle mode
  - 0 = Input capture module continues to operate in CPU Idle mode
- bit 12-8     **Unimplemented:** Read as '0'
- bit 7        **ICTMR:** Input Capture Timer Select bit<sup>(1)</sup>
  - 1 = TMR2 contents are captured on capture event
  - 0 = Reserved
- bit 6-5      **ICI<1:0>:** Select Number of Captures per Interrupt bits
  - 11 = Interrupt on every fourth capture event
  - 10 = Interrupt on every third capture event
  - 01 = Interrupt on every second capture event
  - 00 = Interrupt on every capture event
- bit 4        **ICOV:** Input Capture Overflow Status Flag bit (read-only)
  - 1 = Input capture overflow occurred
  - 0 = No input capture overflow occurred
- bit 3        **ICBNE:** Input Capture Buffer Empty Status bit (read-only)
  - 1 = Input capture buffer is not empty, at least one more capture value can be read
  - 0 = Input capture buffer is empty
- bit 2-0      **ICM<2:0>:** Input Capture Mode Select bits
  - 111 = Input capture functions as interrupt pin only when device is in Sleep or Idle mode. Rising edge detect only; all other control bits are not applicable.
  - 110 = Unused (module disabled)
  - 101 = Capture mode, every 16th rising edge
  - 100 = Capture mode, every 4th rising edge
  - 011 = Capture mode, every rising edge
  - 010 = Capture mode, every falling edge
  - 001 = Capture mode, every edge (rising and falling). ICI<1:0> bits do not control interrupt generation for this mode.
  - 000 = Input capture module is turned off

**Note 1:** This bit is not available in dsPIC33FJ06GS001/101A/102A devices.

14.0 OUTPUT COMPARE

**Note 1:** This data sheet summarizes the features of the dsPIC33FJ06GS001/101A/102A/202A and dsPIC33FJ09GS302 families of devices. It is not intended to be a comprehensive reference source. To complement the information in this data sheet, refer to **Section 13. “Output Compare”** (DS70209) in the “dsPIC33F/PIC24H Family Reference Manual”, which is available on the Microchip web site ([www.microchip.com](http://www.microchip.com)).

**2:** Some registers and associated bits described in this section may not be available on all devices. Refer to **Section 4.0 “Memory Organization”** in this data sheet for device-specific register and bit information.

output pulse, or a sequence of output pulses, by changing the state of the output pin on the compare match events. The output compare module can also generate interrupts on compare match events.

The output compare module has multiple operating modes:

- Active-Low One-Shot mode
- Active-High One-Shot mode
- Toggle mode
- Delayed One-Shot mode
- Continuous Pulse mode
- PWM mode without Fault Protection
- PWM mode with Fault Protection

**Note:** The output compare module is not implemented in the dsPIC33FJ06GS001 device.

The output compare module can select either Timer1 or Timer2 for its time base. The module compares the value of the timer with the value of one or two Compare registers, depending on the operating mode selected. The state of the output pin changes when the timer value matches the Output Compare register value. The output compare module generates either a single

If a Fault condition is detected on the OCFA pin, the output pin(s) of the output compare module are placed in tri-state. The user may elect to use a pull-down or pull-up resistor on the PWM pin to provide for a desired state if a Fault condition occurs.

FIGURE 14-1: OUTPUT COMPARE MODULE BLOCK DIAGRAM



14.1 Output Compare Modes

Configure the Output Compare modes by setting the appropriate Output Compare Mode (OCM<2:0>) bits in the Output Compare Control (OC1CON<2:0>) register. Table 14-1 lists the different bit settings for the Output Compare modes. Figure 14-2 illustrates the output compare operation for various modes. The user

application must disable the associated timer when writing to the Output Compare Control registers to avoid malfunctions.

**Note:** Refer to Section 13. “Output Compare” (DS70209) in the “dsPIC33F/PIC24H Family Reference Manual” for OC1R and OC1RS register restrictions.

TABLE 14-1: OUTPUT COMPARE MODES

| OCM<2:0> | Mode                         | OC1 Pin Initial State                           | OC1 Interrupt Generation         |
|----------|------------------------------|---|----------------------------------|
| 000      | Module Disabled              | Controlled by GPIO register                     | —                                |
| 001      | Active-Low One-Shot          | 0   | OC1 rising edge                  |
| 010      | Active-High One-Shot         | 1   | OC1 falling edge                 |
| 011      | Toggle                       | Current output is maintained                    | OC1 rising and falling edge      |
| 100      | Delayed One-Shot             | 0   | OC1 falling edge                 |
| 101      | Continuous Pulse             | 0   | OC1 falling edge                 |
| 110      | PWM without Fault Protection | '0' if OC1R is zero,<br>'1' if OC1R is non-zero | No interrupt                     |
| 111      | PWM with Fault Protection    | '0' if OC1R is zero,<br>'1' if OC1R is non-zero | OCFA falling edge for OC1 to OC4 |

FIGURE 14-2: OUTPUT COMPARE OPERATION



## 14.2 Output Compare Control Registers

**REGISTER 14-1: OC1CON: OUTPUT COMPARE 1 CONTROL REGISTER**

|        |     |        |     |     |     |     |       |
|--------|-----|--------|-----|-----|-----|-----|-------|
| U-0    | U-0 | R/W-0  | U-0 | U-0 | U-0 | U-0 | U-0   |
| —      | —   | OCSIDL | —   | —   | —   | —   | —     |
| bit 15 |     |        |     |     |     |     | bit 8 |

|       |     |     |         |     |          |       |       |
|-------|-----|-----|---------|-----|----------|-------|-------|
| U-0   | U-0 | U-0 | R-0, HC | U-0 | R/W-0    | R/W-0 | R/W-0 |
| —     | —   | —   | OCFLT   | —   | OCM<2:0> |       |       |
| bit 7 |     |     |         |     |          |       | bit 0 |

|                   |                                    |
|-------------------|------------------------------------|
| <b>Legend:</b>    | HC = Hardware Clearable bit        |
| R = Readable bit  | W = Writable bit                   |
| -n = Value at POR | '1' = Bit is set                   |
|                   | U = Unimplemented bit, read as '0' |
|                   | '0' = Bit is cleared               |
|                   | x = Bit is unknown                 |

- bit 15-14     **Unimplemented:** Read as '0'
- bit 13       **OCSIDL:** Stop Output Compare in Idle Mode Control bit
  - 1 = Output Compare 1 halts in CPU Idle mode
  - 0 = Output Compare 1 continues to operate in CPU Idle mode
- bit 12-5     **Unimplemented:** Read as '0'
- bit 4        **OCFLT:** PWM Fault Condition Status bit
  - 1 = PWM Fault condition has occurred (cleared in hardware only)
  - 0 = No PWM Fault condition has occurred (this bit is only used when OCM<2:0> = 111)
- bit 3        **Unimplemented:** Read as '0'
- bit 2-0     **OCM<2:0>:** Output Compare Mode Select bits
  - 111 = PWM mode on OC1, Fault pin is enabled
  - 110 = PWM mode on OC1, Fault pin is disabled
  - 101 = Initializes OC1 pin low, generates continuous output pulses on OC1 pin
  - 100 = Initializes OC1 pin low, generates single output pulse on OC1 pin
  - 011 = Compare event toggles OC1 pin
  - 010 = Initializes OC1 pin high, compare event forces OC1 pin low
  - 001 = Initializes OC1 pin low, compare event forces OC1 pin high
  - 000 = Output compare channel is disabled

NOTES:

## 15.0 HIGH-SPEED PWM

**Note 1:** This data sheet summarizes the features of the dsPIC33FJ06GS001/101A/102A/202A and dsPIC33FJ09GS302 families of devices. It is not intended to be a comprehensive reference source. To complement the information in this data sheet, refer to **Section 43. “High-Speed PWM”** (DS70323) in the “*dsPIC33F/PIC24H Family Reference Manual*”, which is available on the Microchip web site ([www.microchip.com](http://www.microchip.com)).

**2:** Some registers and associated bits described in this section may not be available on all devices. Refer to **Section 4.0 “Memory Organization”** in this data sheet for device-specific register and bit information.

The high-speed PWM module supports a wide variety of PWM modes and output formats. This PWM module is ideal for power conversion applications, such as:

- AC/DC Converters
- DC/DC Converters
- Power Factor Correction (PFC)
- Uninterruptible Power Supply (UPS)
- Inverters
- Battery Chargers
- Digital Lighting

### 15.1 Features Overview

The high-speed PWM module incorporates the following features:

- Two to three PWM generators with four to six outputs
- Individual time base and duty cycle for each of the six PWM outputs
- Dead time for rising and falling edges:
- Duty cycle resolution of 1.04 ns<sup>(1,2)</sup>
- Dead-time resolution of 1.04 ns<sup>(1,2)</sup>
- Phase-shift resolution of 1.04 ns<sup>(1,2)</sup>
- Frequency resolution of 1.04 ns<sup>(1,2)</sup>

**Note 1:** Resolution is 8.32 ns in Center-Aligned PWM mode.

**2:** Resolution is 8.32 ns for dsPIC33FJ06GS001 devices.

- Supported PWM modes:
  - Standard Edge-Aligned
  - True Independent Output
  - Complementary
  - Center-Aligned
  - Push-Pull
  - Multiphase
  - Variable Phase
  - Fixed Off Time
  - Current Reset
  - Current Limit
- Independent Fault/Current-Limit inputs for each of the six PWM outputs
- Output override control
- Special Event Trigger
- PWM capture feature
- Prescaler for input clock
- Dual trigger from PWM to ADC
- PWMxH, PWMxL output pin swapping
- Remappable PWM4H, PWM4L pins
- On-the-fly PWM frequency, duty cycle and phase-shift changes
- Disabling of individual PWM generators to reduce power consumption
- Leading-Edge Blanking (LEB) functionality
- PWM output chopping (see **Note 1**)

**Note 1:** The chopping function performs a logical AND of the PWM outputs with a very high-frequency clock signal. The chopping frequency is typically hundreds or thousands of times higher in frequency, as compared to the PWM frequency. Chopping a PWM signal constrains the use of a pulse transformer to cross the isolation barrier.

**Figure 15-1** conceptualizes the PWM module in a simplified block diagram. **Figure 15-2** illustrates how the module hardware is partitioned for each PWM output pair for the Complementary PWM mode. Each functional unit of the PWM module is discussed in subsequent sections.

The PWM module contains three PWM generators. The module has up to six PWM output pins: PWM1H, PWM1L, PWM2H, PWM2L, PWM4H and PWM4L. For complementary outputs, these six I/O pins are grouped into H/L pairs.

## 15.2 Feature Description

The PWM module is designed for applications that require:

- High-resolution at high PWM frequencies
- The ability to drive Standard, Edge-Aligned, Center-Aligned Complementary mode, and Push-Pull mode outputs
- The ability to create multiphase PWM outputs

For Center-Aligned mode, the duty cycle, period, phase and dead-time resolutions will be 8.32 ns.

Two common, medium power converter topologies are push-pull and half-bridge. These designs require the PWM output signal to be switched between alternate pins, as provided by the Push-Pull PWM mode.

A phase-shifted PWM describes the situation where each PWM generator provides outputs, but the phase relationship between the generator outputs is specifiable and changeable.

A multiphase PWM is often used to improve DC/DC Converter load transient response, and reduce the size of output filter capacitors and inductors. Multiple DC/DC Converters are often operated in parallel, but phase-shifted in time. A single PWM output, operating at 250 kHz, has a period of 4  $\mu$ s, but an array of four PWM channels staggered by 1  $\mu$ s each, yields an effective switching frequency of 1 MHz. Multiphase PWM applications typically use a fixed-phase relationship.

A variable phase PWM is useful in Zero Voltage Transition (ZVT) power converters. Here, the PWM duty cycle is always 50%, and the power flow is controlled by varying the relative phase-shift between the two PWM generators.



FIGURE 15-1: SIMPLIFIED CONCEPTUAL BLOCK DIAGRAM OF HIGH-SPEED PWM



FIGURE 15-2: PARTITIONED OUTPUT PAIR, COMPLEMENTARY PWM MODE



### 15.3 PWM Control Registers

The following registers control the operation of the high-speed PWM module.

- PTCx: PWMx Time Base Control Register
- PTCx2: PWMx Clock Divider Select Register 2
- PTPER: PWMx Master Time Base Register(1)
- SEVTCMP: PWMx Special Event Compare Register
- MDC: PWMx Master Duty Cycle Register
- PWMCONx: PWMx Control Register
- PDCx: PWMx Generator Duty Cycle Register(1)
- PHASEx: PWMx Primary Phase Shift Register
- DTRx: PWMx Dead-Time Register
- ALTDTRx: PWMx Alternate Dead-Time Register
- SDCx: PWMx Secondary Duty Cycle Register(1)
- SPHASEx: PWMx Secondary Phase Shift Register
- TRGCONx: PWMx Trigger Control Register
- IOCONx: PWMx I/O Control Register
- FCLCONx: PWMx Fault Current-Limit Control Register
- TRIGx: PWMx Primary Trigger Compare Value Register
- STRIGx: PWMx Secondary Trigger Compare Value Register
- LEBCONx: PWMx Leading-Edge Blanking Control Register
- PWMCAPx: Primary PWMx Time Base Capture Register
- CHOP: PWM Chop Clock Generator Register
- AUXCONx: PWMx Auxiliary Control Register

# dsPIC33FJ06GS001/101A/102A/202A and dsPIC33FJ09GS302

## REGISTER 15-1: PTCON: PWM TIME BASE CONTROL REGISTER

|        |     |        |         |       |                     |                        |                        |
|--------|-----|--------|---------|-------|---------------------|------------------------|------------------------|
| R/W-0  | U-0 | R/W-0  | HS/HC-0 | R/W-0 | R/W-0               | R/W-0                  | R/W-0                  |
| PTEN   | —   | PTSIDL | SESTAT  | SEIEN | EIPU <sup>(1)</sup> | SYNCPOL <sup>(1)</sup> | SYNCOEN <sup>(1)</sup> |
| bit 15 |     |        |         |       |                     |                        | bit 8                  |

|                       |     |                             |       |                            |       |       |       |
|-----------------------|-----|-----------------------------|-------|----------------------------|-------|-------|-------|
| R/W-0                 | U-0 | R/W-0                       | R/W-0 | R/W-0                      | R/W-0 | R/W-0 | R/W-0 |
| SYNCEN <sup>(1)</sup> | —   | SYNCSRC<1:0> <sup>(1)</sup> |       | SEVTPS<3:0> <sup>(1)</sup> |       |       |       |
| bit 7                 |     |                             |       |                            |       |       | bit 0 |

|                   |                             |  |
|-------------------|-----------------------------|--|
| <b>Legend:</b>    | HC = Hardware Clearable bit | HS = Hardware Settable bit                   |
| R = Readable bit  | W = Writable bit            | U = Unimplemented bit, read as '0'           |
| -n = Value at POR | '1' = Bit is set            | '0' = Bit is cleared      x = Bit is unknown |

- bit 15      **PTEN:** PWM Module Enable bit  
1 = PWM module is enabled  
0 = PWM module is disabled
- bit 14      **Unimplemented:** Read as '0'
- bit 13      **PTSIDL:** PWM Time Base Stop in Idle Mode bit  
1 = PWM time base halts in CPU Idle mode  
0 = PWM time base runs in CPU Idle mode
- bit 12      **SESTAT:** Special Event Interrupt Status bit  
1 = Special event interrupt is pending  
0 = Special event interrupt is not pending
- bit 11      **SEIEN:** Special Event Interrupt Enable bit  
1 = Special event interrupt is enabled  
0 = Special event interrupt is disabled
- bit 10      **EIPU:** Enable Immediate Period Updates bit<sup>(1)</sup>  
1 = Active Period register is updated immediately  
0 = Active Period register updates occur on PWM cycle boundaries
- bit 9        **SYNCPOL:** Synchronization Input/Output Polarity bit<sup>(1)</sup>  
1 = SYNCIx and SYNCO1 polarity is inverted (active-low)  
0 = SYNCIx and SYNCO1 are active-high
- bit 8        **SYNCOEN:** Primary Time Base Sync Enable bit<sup>(1)</sup>  
1 = SYNCO1 output is enabled  
0 = SYNCO1 output is disabled
- bit 7        **SYNCEN:** External Time Base Synchronization Enable bit<sup>(1)</sup>  
1 = External synchronization of primary time base is enabled  
0 = External synchronization of primary time base is disabled
- bit 6        **Unimplemented:** Read as '0'
- bit 5-4      **SYNCSRC<1:0>:** Synchronous Source Selection bits<sup>(1)</sup>  
11 = Reserved  
10 = Reserved  
01 = SYNCI2  
00 = SYNCI1
- bit 3-0      **SEVTPS<3:0>:** PWM Special Event Trigger Output Postscaler Select bits<sup>(1)</sup>  
1111 = 1:16 Postscaler generates a Special Event Trigger on every sixteenth compare match event  
•  
•  
•  
0001 = 1:2 Postscaler generates a Special Event Trigger on every second compare match event  
0000 = 1:1 Postscaler generates a Special Event Trigger on every compare match event

**Note 1:** These bits should be changed only when PTEN = 0. In addition, when using the SYNCIx feature, the user application must program the Period register with a value that is slightly larger than the expected period of the external synchronization input signal.

# dsPIC33FJ06GS001/101A/102A/202A and dsPIC33FJ09GS302

## REGISTER 15-2: PTCON2: PWM CLOCK DIVIDER SELECT REGISTER 2

|        |     |     |     |     |     |     |       |
|--------|-----|-----|-----|-----|-----|-----|-------|
| U-0    | U-0 | U-0 | U-0 | U-0 | U-0 | U-0 | U-0   |
| —      | —   | —   | —   | —   | —   | —   | —     |
| bit 15 |     |     |     |     |     |     | bit 8 |

|       |     |     |     |     |                             |       |       |
|-------|-----|-----|-----|-----|-----------------------------|-------|-------|
| U-0   | U-0 | U-0 | U-0 | U-0 | R/W-0                       | R/W-0 | R/W-0 |
| —     | —   | —   | —   | —   | PCLKDIV<2:0> <sup>(1)</sup> |       |       |
| bit 7 |     |     |     |     | bit 0                       |       |       |

### Legend:

R = Readable bit                      W = Writable bit                      U = Unimplemented bit, read as '0'  
 -n = Value at POR                      '1' = Bit is set                      '0' = Bit is cleared                      x = Bit is unknown

bit 15-3                      **Unimplemented:** Read as '0'

bit 2-0                      **PCLKDIV<2:0>:** PWM Input Clock Prescaler (Divider) Select bits<sup>(1)</sup>

- 111 = Reserved
- 110 = Divide-by-64, maximum PWM timing resolution
- 101 = Divide-by-32, maximum PWM timing resolution
- 100 = Divide-by-16, maximum PWM timing resolution
- 011 = Divide-by-8, maximum PWM timing resolution
- 010 = Divide-by-4, maximum PWM timing resolution
- 001 = Divide-by-2, maximum PWM timing resolution
- 000 = Divide-by-1, maximum PWM timing resolution (power-on default)

**Note 1:** These bits should be changed only when PTEN = 0. Changing the clock selection during operation will yield unpredictable results.

## REGISTER 15-3: PTPER: PWM MASTER TIME BASE REGISTER<sup>(1)</sup>

|              |       |       |       |       |       |       |       |
|--------------|-------|-------|-------|-------|-------|-------|-------|
| R/W-1        | R/W-1 | R/W-1 | R/W-1 | R/W-1 | R/W-1 | R/W-1 | R/W-1 |
| PTPER <15:8> |       |       |       |       |       |       |       |
| bit 15       |       |       |       |       |       |       | bit 8 |

|             |       |       |       |       |       |       |       |
|-------------|-------|-------|-------|-------|-------|-------|-------|
| R/W-1       | R/W-1 | R/W-1 | R/W-1 | R/W-1 | R/W-0 | R/W-0 | R/W-0 |
| PTPER <7:0> |       |       |       |       |       |       |       |
| bit 7       |       |       |       |       |       | bit 0 |       |

### Legend:

R = Readable bit                      W = Writable bit                      U = Unimplemented bit, read as '0'  
 -n = Value at POR                      '1' = Bit is set                      '0' = Bit is cleared                      x = Bit is unknown

bit 15-0                      **PTPER<15:0>:** PWM Master Time Base (PMTMR) Period Value bits

**Note 1:** The minimum value that can be loaded into the PTPER register is 0x0010 and the maximum value is 0xFFFF8.

## REGISTER 15-4: SEVTCMP: PWM SPECIAL EVENT COMPARE REGISTER

|                |       |       |       |       |       |       |       |
|----------------|-------|-------|-------|-------|-------|-------|-------|
| R/W-0          | R/W-0 | R/W-0 | R/W-0 | R/W-0 | R/W-0 | R/W-0 | R/W-0 |
| SEVTCMP <15:8> |       |       |       |       |       |       |       |
| bit 15         |       |       |       |       |       |       | bit 8 |

|               |       |       |       |       |     |     |       |
|---------------|-------|-------|-------|-------|-----|-----|-------|
| R/W-0         | R/W-0 | R/W-0 | R/W-0 | R/W-0 | U-0 | U-0 | U-0   |
| SEVTCMP <7:3> |       |       |       |       | —   | —   | —     |
| bit 7         |       |       |       |       |     |     | bit 0 |

|                   |                  |                                    |                    |
|-------------------|------------------|------------------------------------|--------------------|
| <b>Legend:</b>    |                  |                                    |                    |
| R = Readable bit  | W = Writable bit | U = Unimplemented bit, read as '0' |                    |
| -n = Value at POR | '1' = Bit is set | '0' = Bit is cleared               | x = Bit is unknown |

bit 15-3      **SEVTCMP<15:3>**: Special Event Compare Count Value bits  
bit 2-0      **Unimplemented**: Read as '0'

## REGISTER 15-5: MDC: PWM MASTER DUTY CYCLE REGISTER

|                            |       |       |       |       |       |       |       |
|----------------------------|-------|-------|-------|-------|-------|-------|-------|
| R/W-0                      | R/W-0 | R/W-0 | R/W-0 | R/W-0 | R/W-0 | R/W-0 | R/W-0 |
| MDC<15:8> <sup>(1,2)</sup> |       |       |       |       |       |       |       |
| bit 15                     |       |       |       |       |       |       | bit 8 |

|                           |       |       |       |       |       |       |       |
|---------------------------|-------|-------|-------|-------|-------|-------|-------|
| R/W-0                     | R/W-0 | R/W-0 | R/W-0 | R/W-0 | R/W-0 | R/W-0 | R/W-0 |
| MDC<7:0> <sup>(1,2)</sup> |       |       |       |       |       |       |       |
| bit 7                     |       |       |       |       |       |       | bit 0 |

|                   |                  |                                    |                    |
|-------------------|------------------|------------------------------------|--------------------|
| <b>Legend:</b>    |                  |                                    |                    |
| R = Readable bit  | W = Writable bit | U = Unimplemented bit, read as '0' |                    |
| -n = Value at POR | '1' = Bit is set | '0' = Bit is cleared               | x = Bit is unknown |

bit 15-0      **MDC<15:0>**: Master PWM Duty Cycle Value bits<sup>(1,2)</sup>

- Note 1:** The smallest pulse width that can be generated on the PWM output corresponds to a value of 0x0009, while the maximum pulse width generated corresponds to a value of Period – 0x0008.
- 2:** As the duty cycle gets closer to 0% or 100% of the PWM period (0 ns-40 ns, depending on the mode of operation), the PWM duty cycle resolution will degrade from 1 LSb to 3 LSbs.

# dsPIC33FJ06GS001/101A/102A/202A and dsPIC33FJ09GS302

## REGISTER 15-6: PWMCONx: PWMx CONTROL REGISTER

|                        |                       |         |         |        |         |                    |                     |
|------------------------|-----------------------|---------|---------|--------|---------|--------------------|---------------------|
| HS/HC-0                | HS/HC-0               | HS/HC-0 | R/W-0   | R/W-0  | R/W-0   | R/W-0              | R/W-0               |
| FLTSTAT <sup>(1)</sup> | CLSTAT <sup>(1)</sup> | TRGSTAT | FLTIEEN | CLIEEN | TRGIEEN | ITB <sup>(3)</sup> | MDCS <sup>(3)</sup> |
| bit 15                 |                       |         |         |        |         |                    | bit 8               |

|          |       |     |     |     |                      |                      |       |
|----------|-------|-----|-----|-----|----------------------|----------------------|-------|
| R/W-0    | R/W-0 | U-0 | U-0 | U-0 | R/W-0                | R/W-0                | R/W-0 |
| DTC<1:0> |       | —   | —   | —   | CAM <sup>(2,3)</sup> | XPRES <sup>(4)</sup> | IUE   |
| bit 7    |       |     |     |     |                      |                      | bit 0 |

|                   |                             |  |
|-------------------|-----------------------------|--|
| <b>Legend:</b>    | HC = Hardware Clearable bit | HS = Hardware Settable bit                   |
| R = Readable bit  | W = Writable bit            | U = Unimplemented bit, read as '0'           |
| -n = Value at POR | '1' = Bit is set            | '0' = Bit is cleared      x = Bit is unknown |

- bit 15      **FLTSTAT:** Fault Interrupt Status bit<sup>(1)</sup>  
 1 = Fault interrupt is pending  
 0 = No Fault interrupt is pending; this bit is cleared by setting FLTIEEN = 0
- bit 14      **CLSTAT:** Current-Limit Interrupt Status bit<sup>(1)</sup>  
 1 = Current-limit interrupt is pending  
 0 = No current-limit interrupt is pending; this bit is cleared by setting CLIEEN = 0
- bit 13      **TRGSTAT:** Trigger Interrupt Status bit  
 1 = Trigger interrupt is pending  
 0 = No trigger interrupt is pending; this bit is cleared by setting TRGIEEN = 0
- bit 12      **FLTIEEN:** Fault Interrupt Enable bit  
 1 = Fault interrupt is enabled  
 0 = Fault interrupt is disabled and the FLTSTAT bit is cleared
- bit 11      **CLIEEN:** Current-Limit Interrupt Enable bit  
 1 = Current-limit interrupt is enabled  
 0 = Current-limit interrupt is disabled and the CLSTAT bit is cleared
- bit 10      **TRGIEEN:** Trigger Interrupt Enable bit  
 1 = A trigger event generates an interrupt request  
 0 = Trigger event interrupts are disabled and the TRGSTAT bit is cleared
- bit 9      **ITB:** Independent Time Base Mode bit<sup>(3)</sup>  
 1 = PHASEx/SPHASEx register provides time base period for this PWM generator  
 0 = PTPER register provides timing for this PWM generator
- bit 8      **MDCS:** Master Duty Cycle Register Select bit<sup>(3)</sup>  
 1 = MDC register provides duty cycle information for this PWM generator  
 0 = PDCx/SDCx register provides duty cycle information for this PWM generator
- bit 7-6      **DTC<1:0>:** Dead-Time Control bits  
 11 = Reserved  
 10 = Dead-time function is disabled  
 01 = Negative dead time actively applied for all output modes  
 00 = Positive dead time actively applied for all output modes
- bit 5-3      **Unimplemented:** Read as '0'

- Note 1:** Software must clear the interrupt status here and the corresponding IFSx bit in the interrupt controller.
- Note 2:** The Independent Time Base mode (ITB = 1) must be enabled to use Center-Aligned mode. If ITB = 0, the CAM bit is ignored.
- Note 3:** These bits should be changed only when PTEN = 0. Changing the clock selection during operation will yield unpredictable results.
- Note 4:** To operate in External Period Reset mode, configure the CLMOD (FCLCONx<8>) bit = 0 and ITB (PWMCONx<9>) bit = 1.

## REGISTER 15-6: PWMCONx: PWMx CONTROL REGISTER (CONTINUED)

- bit 2      **CAM:** Center-Aligned Mode Enable bit<sup>(2,3)</sup>  
1 = Center-Aligned mode is enabled  
0 = Center-Aligned mode is disabled
- bit 1      **XPRES:** External PWM Reset Control bit<sup>(4)</sup>  
1 = Current-limit source resets time base for this PWM generator if it is in Independent Time Base mode  
0 = External pins do not affect PWM time base
- bit 0      **IUE:** Immediate Update Enable bit  
1 = Updates to the active MDC/PDCx/SDCx registers are immediate  
0 = Updates to the active MDC/PDCx/SDCx registers are synchronized to the PWM time base

- Note 1:** Software must clear the interrupt status here and the corresponding IFSx bit in the interrupt controller.
- 2:** The Independent Time Base mode (ITB = 1) must be enabled to use Center-Aligned mode. If ITB = 0, the CAM bit is ignored.
- 3:** These bits should be changed only when PTEN = 0. Changing the clock selection during operation will yield unpredictable results.
- 4:** To operate in External Period Reset mode, configure the CLMOD (FCLCONx<8>) bit = 0 and ITB (PWMCONx<9>) bit = 1.

# dsPIC33FJ06GS001/101A/102A/202A and dsPIC33FJ09GS302

## REGISTER 15-7: PDCx: PWMx GENERATOR DUTY CYCLE REGISTER<sup>(1)</sup>

|                           |       |       |       |       |       |       |       |
|---------------------------|-------|-------|-------|-------|-------|-------|-------|
| R/W-0                     | R/W-0 | R/W-0 | R/W-0 | R/W-0 | R/W-0 | R/W-0 | R/W-0 |
| PDCx<15:8> <sup>(2)</sup> |       |       |       |       |       |       |       |
| bit 15                    |       |       |       |       |       |       | bit 8 |

|                          |       |       |       |       |       |       |       |
|--------------------------|-------|-------|-------|-------|-------|-------|-------|
| R/W-0                    | R/W-0 | R/W-0 | R/W-0 | R/W-0 | R/W-0 | R/W-0 | R/W-0 |
| PDCx<7:0> <sup>(2)</sup> |       |       |       |       |       |       |       |
| bit 7                    |       |       |       |       |       |       | bit 0 |

### Legend:

|                   |                  |                                    |
|-------------------|------------------|------------------------------------|
| R = Readable bit  | W = Writable bit | U = Unimplemented bit, read as '0' |
| -n = Value at POR | '1' = Bit is set | '0' = Bit is cleared               |
|                   |                  | x = Bit is unknown                 |

bit 15-0      **PDCx<15:0>**: PWMx Generator # Duty Cycle Value bits<sup>(2)</sup>

- Note 1:** In Independent PWM mode, the PDCx register controls the PWMxH duty cycle only. In Complementary, Redundant and Push-Pull PWM modes, the PDCx register controls the duty cycle of both the PWMxH and PWMxL. The smallest pulse width that can be generated on the PWM output corresponds to a value of 0x0009, while the maximum pulse width generated corresponds to a value of Period-0x0008.
- 2:** As the duty cycle gets closer to 0% or 100% of the PWM period (0 ns-40 ns, depending on the mode of operation), the PWM duty cycle resolution will degrade from 1 LSB to 3 LSBs.

## REGISTER 15-8: SDCx: PWMx SECONDARY DUTY CYCLE REGISTER<sup>(1)</sup>

|                           |       |       |       |       |       |       |       |
|---------------------------|-------|-------|-------|-------|-------|-------|-------|
| R/W-0                     | R/W-0 | R/W-0 | R/W-0 | R/W-0 | R/W-0 | R/W-0 | R/W-0 |
| SDCx<15:8> <sup>(2)</sup> |       |       |       |       |       |       |       |
| bit 15                    |       |       |       |       |       |       | bit 8 |

|                          |       |       |       |       |       |       |       |
|--------------------------|-------|-------|-------|-------|-------|-------|-------|
| R/W-0                    | R/W-0 | R/W-0 | R/W-0 | R/W-0 | R/W-0 | R/W-0 | R/W-0 |
| SDCx<7:0> <sup>(2)</sup> |       |       |       |       |       |       |       |
| bit 7                    |       |       |       |       |       |       | bit 0 |

### Legend:

|                   |                  |                                    |
|-------------------|------------------|------------------------------------|
| R = Readable bit  | W = Writable bit | U = Unimplemented bit, read as '0' |
| -n = Value at POR | '1' = Bit is set | '0' = Bit is cleared               |
|                   |                  | x = Bit is unknown                 |

bit 15-0      **SDCx<15:0>**: Secondary Duty Cycle for PWMxL Output Pin bits<sup>(2)</sup>

- Note 1:** The SDCx register is used in Independent PWM mode only. When used in Independent PWM mode, the SDCx register controls the PWMxL duty cycle. The smallest pulse width that can be generated on the PWM output corresponds to a value of 0x0009, while the maximum pulse width generated corresponds to a value of Period-0x0008.
- 2:** As the duty cycle gets closer to 0% or 100% of the PWM period (0 ns-40 ns, depending on the mode of operation), the PWM duty cycle resolution will degrade from 1 LSB to 3 LSBs.



## REGISTER 15-9: PHASEx: PWMx PRIMARY PHASE SHIFT REGISTER

|                               |       |       |       |       |       |       |       |
|-------------------------------|-------|-------|-------|-------|-------|-------|-------|
| R/W-0                         | R/W-0 | R/W-0 | R/W-0 | R/W-0 | R/W-0 | R/W-0 | R/W-0 |
| PHASEx<15:8> <sup>(1,2)</sup> |       |       |       |       |       |       |       |
| bit 15                        |       |       |       | bit 8 |       |       |       |

|                              |       |       |       |       |       |       |       |
|------------------------------|-------|-------|-------|-------|-------|-------|-------|
| R/W-0                        | R/W-0 | R/W-0 | R/W-0 | R/W-0 | R/W-0 | R/W-0 | R/W-0 |
| PHASEx<7:0> <sup>(1,2)</sup> |       |       |       |       |       |       |       |
| bit 7                        |       |       |       | bit 0 |       |       |       |

|                   |                  |                                    |                    |
|-------------------|------------------|------------------------------------|--------------------|
| <b>Legend:</b>    |                  |                                    |                    |
| R = Readable bit  | W = Writable bit | U = Unimplemented bit, read as '0' |                    |
| -n = Value at POR | '1' = Bit is set | '0' = Bit is cleared               | x = Bit is unknown |

bit 15-0      **PHASEx<15:0>**: PWMx Phase Shift Value or Independent Time Base Period for PWM Generator bits<sup>(1,2)</sup>

- Note 1:** If the ITB (PWMCONx<9>) bit = 0, the following applies based on the mode of operation:
- Complementary, Redundant and Push-Pull Output mode (PMOD<1:0> (IOCONx<11:10>) = 00, 01 or 10), PHASEx<15:0> = Phase shift value for PWMxH and PWMxL outputs.
  - True Independent Output mode PMOD<1:0> (IOCONx<11:10>) = 11), PHASEx<15:0> = Phase shift value for PWMxL only.
- 2:** If the ITB (PWMCONx<9>) bit = 1, the following applies based on the mode of operation:
- Complementary, Redundant and Push-Pull Output mode (PMOD<1:0> (IOCONx<11:10>) = 00, 01 or 10), PHASEx<15:0> = Independent time base period value for PWMxH and PWMxL.
  - True Independent Output mode PMOD<1:0> (IOCONx<11:10>) = 11), PHASEx<15:0> = Independent time base period value for PWMxL only.
  - The smallest pulse width that can be generated on the PWM output corresponds to a value of 0x0008, while the maximum pulse width generated corresponds to a value of Period-0x0008.

# dsPIC33FJ06GS001/101A/102A/202A and dsPIC33FJ09GS302

## REGISTER 15-10: SPHASEx: PWMx SECONDARY PHASE SHIFT REGISTER

|                                |       |       |       |       |       |       |       |
|--------------------------------|-------|-------|-------|-------|-------|-------|-------|
| R/W-0                          | R/W-0 | R/W-0 | R/W-0 | R/W-0 | R/W-0 | R/W-0 | R/W-0 |
| SPHASEx<15:8> <sup>(1,2)</sup> |       |       |       |       |       |       |       |
| bit 15                         |       |       |       | bit 8 |       |       |       |

|                               |       |       |       |       |       |       |       |
|-------------------------------|-------|-------|-------|-------|-------|-------|-------|
| R/W-0                         | R/W-0 | R/W-0 | R/W-0 | R/W-0 | R/W-0 | R/W-0 | R/W-0 |
| SPHASEx<7:0> <sup>(1,2)</sup> |       |       |       |       |       |       |       |
| bit 7                         |       |       |       | bit 0 |       |       |       |

### Legend:

R = Readable bit

W = Writable bit

U = Unimplemented bit, read as '0'

-n = Value at POR

'1' = Bit is set

'0' = Bit is cleared

x = Bit is unknown

bit 15-0      **SPHASEx<15:0>**: Secondary Phase Offset for PWMxL Output Pin bits<sup>(1,2)</sup>  
(used in Independent PWM mode only)

**Note 1:** If the ITB (PWMCONx<9>) bit = 0, the following applies based on the mode of operation:

- Complementary, Redundant and Push-Pull Output mode (PMOD<1:0> (IOCONx<11:10>) = 00, 01 or 10), SPHASEx<15:0> = Not used.
- True Independent Output mode PMOD<1:0> (IOCONx<11:10>) = 11), PHASEx<15:0> = Phase shift value for PWMxL only.

**2:** If the ITB (PWMCONx<9>) bit = 1, the following applies based on the mode of operation:

- Complementary, Redundant and Push-Pull Output mode (PMOD<1:0> (IOCONx<11:10>) = 00, 01 or 10), SPHASEx<15:0> = Not used.
- True Independent Output mode PMOD<1:0> (IOCONx<11:10>) = 11), PHASEx<15:0> = Independent time base period value for PWMxL only.

## REGISTER 15-11: DTRx: PWMx DEAD-TIME REGISTER

|        |     |            |       |       |       |       |       |
|--------|-----|------------|-------|-------|-------|-------|-------|
| U-0    | U-0 | R/W-0      | R/W-0 | R/W-0 | R/W-0 | R/W-0 | R/W-0 |
| —      | —   | DTRx<13:8> |       |       |       |       |       |
| bit 15 |     |            |       |       |       |       | bit 8 |

|           |       |       |       |       |       |       |       |
|-----------|-------|-------|-------|-------|-------|-------|-------|
| R/W-0     | R/W-0 | R/W-0 | R/W-0 | R/W-0 | R/W-0 | R/W-0 | R/W-0 |
| DTRx<7:0> |       |       |       |       |       |       |       |
| bit 7     |       |       |       |       |       |       | bit 0 |

|                   |                  |                                    |                    |
|-------------------|------------------|------------------------------------|--------------------|
| <b>Legend:</b>    |                  |                                    |                    |
| R = Readable bit  | W = Writable bit | U = Unimplemented bit, read as '0' |                    |
| -n = Value at POR | '1' = Bit is set | '0' = Bit is cleared               | x = Bit is unknown |

bit 15-14      **Unimplemented:** Read as '0'  
bit 13-0      **DTRx<13:0>:** Unsigned 14-Bit Dead-Time Value for PWMx Dead-Time Unit bits

## REGISTER 15-12: ALTDTRx: PWMx ALTERNATE DEAD-TIME REGISTER

|        |     |               |       |       |       |       |       |
|--------|-----|---------------|-------|-------|-------|-------|-------|
| U-0    | U-0 | R/W-0         | R/W-0 | R/W-0 | R/W-0 | R/W-0 | R/W-0 |
| —      | —   | ALTDTRx<13:8> |       |       |       |       |       |
| bit 15 |     |               |       |       |       |       | bit 8 |

|              |       |       |       |       |       |       |       |
|--------------|-------|-------|-------|-------|-------|-------|-------|
| R/W-0        | R/W-0 | R/W-0 | R/W-0 | R/W-0 | R/W-0 | R/W-0 | R/W-0 |
| ALTDTR <7:0> |       |       |       |       |       |       |       |
| bit 7        |       |       |       |       |       |       | bit 0 |

|                   |                  |                                    |                    |
|-------------------|------------------|------------------------------------|--------------------|
| <b>Legend:</b>    |                  |                                    |                    |
| R = Readable bit  | W = Writable bit | U = Unimplemented bit, read as '0' |                    |
| -n = Value at POR | '1' = Bit is set | '0' = Bit is cleared               | x = Bit is unknown |

bit 15-14      **Unimplemented:** Read as '0'  
bit 13-0      **ALTDTRx<13:0>:** Unsigned 14-Bit Dead-Time Value for PWMx Dead-Time Unit bits

# dsPIC33FJ06GS001/101A/102A/202A and dsPIC33FJ09GS302

## REGISTER 15-13: TRGCONx: PWMx TRIGGER CONTROL REGISTER

|             |       |       |       |       |     |     |     |
|-------------|-------|-------|-------|-------|-----|-----|-----|
| R/W-0       | R/W-0 | R/W-0 | R/W-0 | U-0   | U-0 | U-0 | U-0 |
| TRGDIV<3:0> |       |       |       | —     | —   | —   | —   |
| bit 15      |       |       |       | bit 8 |     |     |     |

|                    |     |              |       |       |       |       |       |
|--------------------|-----|--------------|-------|-------|-------|-------|-------|
| R/W-0              | U-0 | R/W-0        | R/W-0 | R/W-0 | R/W-0 | R/W-0 | R/W-0 |
| DTM <sup>(1)</sup> | —   | TRGSTRT<5:0> |       |       |       |       |       |
| bit 7              |     | bit 0        |       |       |       |       |       |

### Legend:

R = Readable bit                      W = Writable bit                      U = Unimplemented bit, read as '0'  
 -n = Value at POR                      '1' = Bit is set                      '0' = Bit is cleared                      x = Bit is unknown

bit 15-12      **TRGDIV<3:0>**: Trigger # Output Divider bits  
 1111 = Trigger output for every 16th trigger event  
 1110 = Trigger output for every 15th trigger event  
 1101 = Trigger output for every 14th trigger event  
 1100 = Trigger output for every 13th trigger event  
 1011 = Trigger output for every 12th trigger event  
 1010 = Trigger output for every 11th trigger event  
 1001 = Trigger output for every 10th trigger event  
 1000 = Trigger output for every 9th trigger event  
 0111 = Trigger output for every 8th trigger event  
 0110 = Trigger output for every 7th trigger event  
 0101 = Trigger output for every 6th trigger event  
 0100 = Trigger output for every 5th trigger event  
 0011 = Trigger output for every 4th trigger event  
 0010 = Trigger output for every 3rd trigger event  
 0001 = Trigger output for every 2nd trigger event  
 0000 = Trigger output for every trigger event

bit 11-8      **Unimplemented**: Read as '0'

bit 7      **DTM**: Dual Trigger Mode bit<sup>(1)</sup>

1 = Secondary trigger event is combined with the primary trigger event to create the PWM trigger.  
 0 = Secondary trigger event is not combined with the primary trigger event to create the PWM trigger;  
 two separate PWM triggers are generated

bit 6      **Unimplemented**: Read as '0'

bit 5-0      **TRGSTRT<5:0>**: Trigger Postscaler Start Enable Select bits

111111 = Wait 63 PWM cycles before generating the first trigger event after the module is enabled  
 •  
 •  
 •  
 000010 = Wait 2 PWM cycles before generating the first trigger event after the module is enabled  
 000001 = Wait 1 PWM cycle before generating the first trigger event after the module is enabled  
 000000 = Wait 0 PWM cycle before generating the first trigger event after the module is enabled

**Note 1:** The secondary generator cannot generate PWM trigger interrupts.

# dsPIC33FJ06GS001/101A/102A/202A and dsPIC33FJ09GS302

## REGISTER 15-14: IOCONx: PWMx I/O CONTROL REGISTER

|        |       |       |       |                          |       |        |        |
|--------|-------|-------|-------|--------------------------|-------|--------|--------|
| R/W-0  | R/W-0 | R/W-0 | R/W-0 | R/W-0                    | R/W-0 | R/W-0  | R/W-0  |
| PENH   | PENL  | POLH  | POLL  | PMOD<1:0> <sup>(1)</sup> |       | OVRENH | OVRENL |
| bit 15 |       |       |       | bit 8                    |       |        |        |

|             |       |                            |       |                           |       |       |       |
|-------------|-------|----------------------------|-------|---------------------------|-------|-------|-------|
| R/W-0       | R/W-0 | R/W-0                      | R/W-0 | R/W-0                     | R/W-0 | R/W-0 | R/W-0 |
| OVRDAT<1:0> |       | FLTDAT<1:0> <sup>(2)</sup> |       | CLDAT<1:0> <sup>(2)</sup> |       | SWAP  | OSYNC |
| bit 7       |       |                            |       | bit 0                     |       |       |       |

### Legend:

|                   |                  |                                    |
|-------------------|------------------|------------------------------------|
| R = Readable bit  | W = Writable bit | U = Unimplemented bit, read as '0' |
| -n = Value at POR | '1' = Bit is set | '0' = Bit is cleared               |
|                   |                  | x = Bit is unknown                 |

- bit 15      **PENH:** PWMxH Output Pin Ownership bit  
 1 = PWM module controls PWMxH pin  
 0 = GPIO module controls PWMxH pin
- bit 14      **PENL:** PWMxL Output Pin Ownership bit  
 1 = PWM module controls PWMxL pin  
 0 = GPIO module controls PWMxL pin
- bit 13      **POLH:** PWMxH Output Pin Polarity bit  
 1 = PWMxH pin is active-low  
 0 = PWMxH pin is active-high
- bit 12      **POLL:** PWMxL Output Pin Polarity bit  
 1 = PWMxL pin is active-low  
 0 = PWMxL pin is active-high
- bit 11-10   **PMOD<1:0>:** PWMx I/O Pin Mode bits<sup>(1)</sup>  
 11 = PWM I/O pin pair is in the True Independent Output mode  
 10 = PWM I/O pin pair is in the Push-Pull Output mode  
 01 = PWM I/O pin pair is in the Redundant Output mode  
 00 = PWM I/O pin pair is in the Complementary Output mode
- bit 9        **OVRENH:** Override Enable for PWMxH Pin bit  
 1 = OVRDAT<1> provides data for output on PWMxH pin  
 0 = PWM generator provides data for PWMxH pin
- bit 8        **OVRENL:** Override Enable for PWMxL Pin bit  
 1 = OVRDAT<0> provides data for output on PWMxL pin  
 0 = PWM generator provides data for PWMxL pin
- bit 7-6      **OVRDAT<1:0>:** Data for PWMxH and PWMxL Pins if Override is Enabled bits  
 If OVERENH = 1 then OVRDAT<1> provides data for PWMxH.  
 If OVERENL = 1 then OVRDAT<0> provides data for PWMxL.
- bit 5-4      **FLTDAT<1:0>:** State for PWMxH and PWMxL Pins if FLTMOD is Enabled bits<sup>(2)</sup>  
IFLTMOD (FCLCONx<15>) = 0, Normal Fault mode:  
 If Fault is active, then FLTDAT<1> provides the state for PWMxH.  
 If Fault is active, then FLTDAT<0> provides the state for PWMxL.  
IFLTMOD (FCLCONx<15>) = 1, Independent Fault mode:  
 If current-limit is active, then FLTDAT<1> provides the state for PWMxH.  
 If Fault is active, then FLTDAT<0> provides the state for PWMxL.

**Note 1:** These bits should be changed only when PTEN = 0. Changing the clock selection during operation will yield unpredictable results.

**2:** State represents the active/inactive state of the PWM module depending on the POLH and POLL bit settings.

## dsPIC33FJ06GS001/101A/102A/202A and dsPIC33FJ09GS302

---

### REGISTER 15-14: IOCONx: PWMx I/O CONTROL REGISTER (CONTINUED)

- bit 3-2      **CLDAT<1:0>**: State for PWMxH and PWMxL Pins if CLMODE is Enabled bits<sup>(2)</sup>  
IFLTMOD (FCLCONx<15>) = 0, Normal Fault mode:  
If current-limit is active, then CLDAT<1> provides the state for PWMxH.  
If current-limit is active, then CLDAT<0> provides the state for PWMxL.  
IFLTMOD (FCLCONx<15>) = 1, Independent Fault mode:  
CLDAT<1:0> is ignored.
- bit 1      **SWAP<1:0>**: SWAP PWMxH and PWMxL pins  
1 = PWMxH output signal is connected to PWMxL pin and PWMxL signal is connected to PWMxH pins  
0 = PWMxH and PWMxL pins are mapped to their respective pins
- bit 0      **OSYNC**: Output Override Synchronization bit  
1 = Output overrides via the OVRDAT<1:0> bits are synchronized to the PWM time base  
0 = Output overrides via the OVRDAT<1:0> bits occur on next CPU clock boundary

- Note 1:** These bits should be changed only when PTEN = 0. Changing the clock selection during operation will yield unpredictable results.
- 2:** State represents the active/inactive state of the PWM module depending on the POLH and POLL bit settings.

# dsPIC33FJ06GS001/101A/102A/202A and dsPIC33FJ09GS302

## REGISTER 15-15: FCLCONx: PWMx FAULT CURRENT-LIMIT CONTROL REGISTER

|         |                             |       |       |       |       |                      |       |
|---------|-----------------------------|-------|-------|-------|-------|----------------------|-------|
| R/W-0   | R/W-0                       | R/W-0 | R/W-0 | R/W-0 | R/W-0 | R/W-0                | R/W-0 |
| IFLTMOD | CLSRC<4:0> <sup>(2,3)</sup> |       |       |       |       | CLPOL <sup>(1)</sup> | CLMOD |
| bit 15  |                             |       |       |       |       | bit 8                |       |

|                              |       |       |       |                       |             |       |       |
|------------------------------|-------|-------|-------|-----------------------|-------------|-------|-------|
| R/W-0                        | R/W-0 | R/W-0 | R/W-0 | R/W-0                 | R/W-0       | R/W-0 | R/W-0 |
| FLTSRC<4:0> <sup>(2,3)</sup> |       |       |       | FLTPOL <sup>(1)</sup> | FLTMOD<1:0> |       |       |
| bit 7                        |       |       |       |                       |             | bit 0 |       |

### Legend:

R = Readable bit                      W = Writable bit                      U = Unimplemented bit, read as '0'  
-n = Value at POR                      '1' = Bit is set                      '0' = Bit is cleared                      x = Bit is unknown

- bit 15            **IFLTMOD:** Independent Fault Mode Enable bit  
1 = Independent Fault mode: Current-limit input maps FLTDAT<1> to PWMxH output and Fault input maps FLTDAT<0> to PWMxL output. The CLDAT<1:0> bits are not used for override functions.  
0 = Normal Fault mode: Current-limit feature maps CLDAT<1:0> bits to the PWMxH and PWMxL outputs. The PWM Fault feature maps FLTDAT<1:0> to the PWMxH and PWMxL outputs.
- bit 14-10        **CLSRC<4:0>:** Current-Limit Control Signal Source Select for PWMx # Generator bits<sup>(2,3)</sup>  
11111 = Reserved  
•  
•  
•  
01000 = Reserved  
00111 = Fault 8  
00110 = Fault 7  
00101 = Fault 6  
00100 = Fault 5  
00011 = Fault 4  
00010 = Fault 3  
00001 = Fault 2  
00000 = Fault 1
- bit 9            **CLPOL:** Current-Limit Polarity for PWMx Generator # bit<sup>(1)</sup>  
1 = The selected current-limit source is active-low  
0 = The selected current-limit source is active-high
- bit 8            **CLMOD:** Current-Limit Mode Enable bit for PWMx Generator # bit  
1 = Current-limit function is enabled  
0 = Current-limit function is disabled

- Note 1:** These bits should be changed only when PTEN = 0. Changing the clock selection during operation will yield unpredictable results.
- 2:** When Independent Fault mode is enabled (IFLTMOD<1:0> = 1), and Fault 1 is used for Current-Limit mode (CLSRC<4:0> = b0000), the Fault Control Source Select bits (FLTSRC<4:0>) should be set to an unused Fault source to prevent Fault 1 from disabling both the PWMxL and PWMxH outputs.
- 3:** When Independent Fault mode is enabled (IFLTMOD<1:0> = 1) and Fault 1 is used for Fault mode (FLTSRC<4:0> = b0000), the Current-Limit Control Source Select bits (CLSRC<4:0>) should be set to an unused current-limit source to prevent the current-limit source from disabling both the PWMxH and PWMxL outputs.

# dsPIC33FJ06GS001/101A/102A/202A and dsPIC33FJ09GS302

---

## REGISTER 15-15: FCLCONx: PWMx FAULT CURRENT-LIMIT CONTROL REGISTER (CONTINUED)

- bit 7-3      **FLTSRC<4:0>**: Fault Control Signal Source Select for PWM Generator # bits<sup>(2,3)</sup>  
11111 = Reserved  
•  
•  
•  
01000 = Reserved  
  
00111 = Fault 8  
00110 = Fault 7  
00101 = Fault 6  
00100 = Fault 5  
00011 = Fault 4  
00010 = Fault 3  
00001 = Fault 2  
00000 = Fault 1
- bit 2      **FLTPOL**: Fault Polarity for PWMx Generator # bit<sup>(1)</sup>  
1 = The selected Fault source is active-low  
0 = The selected Fault source is active-high
- bit 1-0    **FLTMOD<1:0>**: Fault Mode for PWMx Generator # bits  
11 = Fault input is disabled  
10 = Reserved  
01 = The selected Fault source forces PWMxH, PWMxL pins to FLTDAT values (cycle)  
00 = The selected Fault source forces PWMxH, PWMxL pins to FLTDAT values (latched condition)

- Note 1:** These bits should be changed only when PTEN = 0. Changing the clock selection during operation will yield unpredictable results.
- 2:** When Independent Fault mode is enabled (IFLTMOD<1:0> = 1), and Fault 1 is used for Current-Limit mode (CLSRC<4:0> = b0000), the Fault Control Source Select bits (FLTSRC<4:0>) should be set to an unused Fault source to prevent Fault 1 from disabling both the PWMxL and PWMxH outputs.
- 3:** When Independent Fault mode is enabled (IFLTMOD<1:0> = 1) and Fault 1 is used for Fault mode (FLTSRC<4:0> = b0000), the Current-Limit Control Source Select bits (CLSRC<4:0>) should be set to an unused current-limit source to prevent the current-limit source from disabling both the PWMxH and PWMxL outputs.



# dsPIC33FJ06GS001/101A/102A/202A and dsPIC33FJ09GS302

## REGISTER 15-16: TRIGx: PWMx PRIMARY TRIGGER COMPARE VALUE REGISTER

|              |       |       |       |       |       |       |       |
|--------------|-------|-------|-------|-------|-------|-------|-------|
| R/W-0        | R/W-0 | R/W-0 | R/W-0 | R/W-0 | R/W-0 | R/W-0 | R/W-0 |
| TRGCMP<15:8> |       |       |       |       |       |       |       |
| bit 15       |       |       |       | bit 8 |       |       |       |

|             |       |       |       |       |     |     |     |
|-------------|-------|-------|-------|-------|-----|-----|-----|
| R/W-0       | R/W-0 | R/W-0 | R/W-0 | R/W-0 | U-0 | U-0 | U-0 |
| TRGCMP<7:3> |       |       |       | —     |     | —   |     |
| bit 7       |       |       |       | bit 0 |     |     |     |

### Legend:

R = Readable bit                      W = Writable bit                      U = Unimplemented bit, read as '0'  
 -n = Value at POR                      '1' = Bit is set                      '0' = Bit is cleared                      x = Bit is unknown

bit 15-3            **TRGCMP<15:3>**: Trigger Control Value bits  
 When primary PWM functions in local time base, this register contains the compare values that can trigger the ADC module.

bit 2-0            **Unimplemented**: Read as '0'

## REGISTER 15-17: STRIGx: PWMx SECONDARY TRIGGER COMPARE VALUE REGISTER

|               |       |       |       |       |       |       |       |
|---------------|-------|-------|-------|-------|-------|-------|-------|
| R/W-0         | R/W-0 | R/W-0 | R/W-0 | R/W-0 | R/W-0 | R/W-0 | R/W-0 |
| STRGCMP<15:8> |       |       |       |       |       |       |       |
| bit 15        |       |       |       | bit 8 |       |       |       |

|              |       |       |       |       |     |     |     |
|--------------|-------|-------|-------|-------|-----|-----|-----|
| R/W-0        | R/W-0 | R/W-0 | R/W-0 | R/W-0 | U-0 | U-0 | U-0 |
| STRGCMP<7:3> |       |       |       | —     |     | —   |     |
| bit 7        |       |       |       | bit 0 |     |     |     |

### Legend:

R = Readable bit                      W = Writable bit                      U = Unimplemented bit, read as '0'  
 -n = Value at POR                      '1' = Bit is set                      '0' = Bit is cleared                      x = Bit is unknown

bit 15-3            **STRGCMP<15:3>**: Secondary Trigger Control Value bits  
 When secondary PWM functions in local time base, this register contains the compare values that can trigger the ADC module.

bit 2-0            **Unimplemented**: Read as '0'

# dsPIC33FJ06GS001/101A/102A/202A and dsPIC33FJ09GS302

## REGISTER 15-18: LEBCONx: PWMx LEADING-EDGE BLANKING CONTROL REGISTER

|        |       |       |       |          |         |          |       |
|--------|-------|-------|-------|----------|---------|----------|-------|
| R/W-0  | R/W-0 | R/W-0 | R/W-0 | R/W-0    | R/W-0   | R/W-0    | R/W-0 |
| PHR    | PHF   | PLR   | PLF   | FLTLEBEN | CLLEBEN | LEB<6:5> |       |
| bit 15 |       |       |       |          |         |          | bit 8 |

|          |       |       |       |       |     |     |       |
|----------|-------|-------|-------|-------|-----|-----|-------|
| R/W-0    | R/W-0 | R/W-0 | R/W-0 | R/W-0 | U-0 | U-0 | U-0   |
| LEB<4:0> |       |       |       |       | —   | —   | —     |
| bit 7    |       |       |       |       |     |     | bit 0 |

### Legend:

R = Readable bit

W = Writable bit

U = Unimplemented bit, read as '0'

-n = Value at POR

'1' = Bit is set

'0' = Bit is cleared

x = Bit is unknown

- bit 15      **PHR:** PWMxH Rising Edge Trigger Enable bit  
 1 = Rising edge of PWMxH will trigger LEB counter  
 0 = LEB ignores rising edge of PWMxH
- bit 14      **PHF:** PWMxH Falling Edge Trigger Enable bit  
 1 = Falling edge of PWMxH will trigger LEB counter  
 0 = LEB ignores falling edge of PWMxH
- bit 13      **PLR:** PWMxL Rising Edge Trigger Enable bit  
 1 = Rising edge of PWMxL will trigger LEB counter  
 0 = LEB ignores rising edge of PWMxL
- bit 12      **PLF:** PWMxL Falling Edge Trigger Enable bit  
 1 = Falling edge of PWMxL will trigger LEB counter  
 0 = LEB ignores falling edge of PWMxL
- bit 11      **FLTLEBEN:** Fault Input LEB Enable bit  
 1 = Leading-edge blanking is applied to selected Fault input  
 0 = Leading-edge blanking is not applied to selected Fault input
- bit 10      **CLLEBEN:** Current-Limit LEB Enable bit  
 1 = Leading-edge blanking is applied to selected current-limit input  
 0 = Leading-edge blanking is not applied to selected current-limit input
- bit 9-3      **LEB<6:0>:** Leading-Edge Blanking for Current-Limit and Fault Inputs bits  
 The value is 8.32 nsec increments.
- bit 2-0      **Unimplemented:** Read as '0'

# dsPIC33FJ06GS001/101A/102A/202A and dsPIC33FJ09GS302

## REGISTER 15-19: PWMCAPx: PRIMARY PWMx TIME BASE CAPTURE REGISTER

|                               |     |     |     |     |     |     |       |
|-------------------------------|-----|-----|-----|-----|-----|-----|-------|
| R-0                           | R-0 | R-0 | R-0 | R-0 | R-0 | R-0 | R-0   |
| PWMCAP<15:8> <sup>(1,2)</sup> |     |     |     |     |     |     |       |
| bit 15                        |     |     |     |     |     |     | bit 8 |

|                              |     |     |     |     |     |     |       |
|------------------------------|-----|-----|-----|-----|-----|-----|-------|
| R-0                          | R-0 | R-0 | R-0 | R-0 | U-0 | U-0 | U-0   |
| PWMCAP<7:3> <sup>(1,2)</sup> |     |     |     |     | —   | —   | —     |
| bit 7                        |     |     |     |     |     |     | bit 0 |

### Legend:

R = Readable bit                      W = Writable bit                      U = Unimplemented bit, read as '0'  
 -n = Value at POR                      '1' = Bit is set                      '0' = Bit is cleared                      x = Bit is unknown

bit 15-3                      **PWMCAP<15:3>**: Captured PWM Time Base Value bits<sup>(1,2)</sup>

The value in this register represents the captured PWM time base value when a leading edge is detected on the current-limit input.

bit 2-0                      **Unimplemented**: Read as '0'

**Note 1:** The capture feature is only available on primary output (PWMxH).

**2:** This feature is active only after LEB processing on the current-limit input signal is complete.

## REGISTER 15-20: CHOP: PWM CHOP CLOCK GENERATOR REGISTER

|          |     |     |     |     |     |              |       |
|----------|-----|-----|-----|-----|-----|--------------|-------|
| R/W-0    | U-0 | U-0 | U-0 | U-0 | U-0 | R/W-0        | R/W-0 |
| CHPCLKEN | —   | —   | —   | —   | —   | CHOPCLK<6:5> |       |
| bit 15   |     |     |     |     |     |              | bit 8 |

|              |       |       |       |       |     |     |       |
|--------------|-------|-------|-------|-------|-----|-----|-------|
| R/W-0        | R/W-0 | R/W-0 | R/W-0 | R/W-0 | U-0 | U-0 | U-0   |
| CHOPCLK<4:0> |       |       |       |       | —   | —   | —     |
| bit 7        |       |       |       |       |     |     | bit 0 |

### Legend:

R = Readable bit                      W = Writable bit                      U = Unimplemented bit, read as '0'  
 -n = Value at POR                      '1' = Bit is set                      '0' = Bit is cleared                      x = Bit is unknown

bit 15                      **CHPCLKEN**: Enable Chop Clock Generator bit

1 = Chop clock generator is enabled  
 0 = Chop clock generator is disabled

bit 14-10                      **Unimplemented**: Read as '0'

bit 9-3                      **CHOPCLK<6:0>**: Chop Clock Divider bits

The frequency of the chop clock signal is given by the following expression:

$$\text{Chop Frequency} = 1 / (16.64 * (\text{CHOPCLK<6:0>} + 1) * \text{Primary Master PWM Input Clock/PCLKDIV<2:0>})$$

bit 2-0                      **Unimplemented**: Read as '0'

# dsPIC33FJ06GS001/101A/102A/202A and dsPIC33FJ09GS302

## REGISTER 15-21: AUXCONx: PWMx AUXILIARY CONTROL REGISTER

|        |        |     |     |     |     |     |       |
|--------|--------|-----|-----|-----|-----|-----|-------|
| R/W-0  | R/W-0  | U-0 | U-0 | U-0 | U-0 | U-0 | UW-0  |
| HRPDIS | HRDDIS | —   | —   | —   | —   | —   | —     |
| bit 15 |        |     |     |     |     |     | bit 8 |

|       |     |              |       |       |       |         |         |
|-------|-----|--------------|-------|-------|-------|---------|---------|
| U-0   | U-0 | R/W-0        | R/W-0 | R/W-0 | R/W-0 | R/W-0   | R/W-0   |
| —     | —   | CHOPSEL<3:0> |       |       |       | CHOPHEN | CHOPLEN |
| bit 7 |     |              |       |       |       |         | bit 0   |

### Legend:

R = Readable bit                      W = Writable bit                      U = Unimplemented bit, read as '0'  
 -n = Value at POR                      '1' = Bit is set                      '0' = Bit is cleared                      x = Bit is unknown

- bit 15            **HRPDIS:** High-Resolution PWMx Period Disable bit  
                   1 = High-resolution PWMx period is enabled  
                   0 = High-resolution PWMx period is disabled
- bit 14            **HRDDIS:** High-Resolution PWMx Duty Cycle Disable bit  
                   1 = High-resolution PWMx duty cycle is enabled  
                   0 = High-resolution PWMx duty cycle is disabled
- bit 13-6        **Unimplemented:** Read as '0'
- bit 5-2         **CHOPSEL<3:0>:** PWMx Chop Clock Source Select bits  
                   The selected signal will enable and disable (CHOP) the selected PWMx outputs.  
                   1001 = Reserved  
                   1000 = Reserved  
                   0111 = Reserved  
                   0110 = Reserved  
                   0101 = Reserved  
                   0100 = PWM4H is selected as CHOP clock source  
                   0011 = Reserved  
                   0010 = PWM2H is selected as CHOP clock source  
                   0001 = PWM1H is selected as CHOP clock source  
                   0000 = Chop clock generator is selected as CHOP clock source
- bit 1            **CHOPHEN:** PWMxH Output Chopping Enable bit  
                   1 = PWMxH chopping function is enabled  
                   0 = PWMxH chopping function is disabled
- bit 0            **CHOPLEN:** PWMxL Output Chopping Enable bit  
                   1 = PWMxL chopping function is enabled  
                   0 = PWMxL chopping function is disabled

## 16.0 SERIAL PERIPHERAL INTERFACE (SPI)

**Note 1:** This data sheet summarizes the features of the dsPIC33FJ06GS001/101A/102A/202A and dsPIC33FJ09GS302 family of devices. It is not intended to be a comprehensive reference source. To complement the information in this data sheet, refer to **Section 18. “Serial Peripheral Interface (SPI)”** (DS70206) of the “dsPIC33F/PIC24H Family Reference Manual”, which is available from the Microchip web site ([www.microchip.com](http://www.microchip.com)).

**2:** Some registers and associated bits described in this section may not be available on all devices. Refer to **Section 4.0 “Memory Organization”** in this data sheet for device-specific register and bit information.

The Serial Peripheral Interface (SPI) module is a synchronous serial interface useful for communicating with other peripheral or microcontroller devices. These peripheral devices can be serial EEPROMs, shift registers, display drivers, Analog-to-Digital Converters, etc. The SPI module is compatible with Motorola® SPI and SIOP.

Each SPI module consists of a 16-bit shift register, SPIxSR (where x = 1 or 2), used for shifting data in and out, and a buffer register, SPIxBUF. A control register, SPIxCON, configures the module. Additionally, a status register, SPIxSTAT, indicates status conditions.

The serial interface consists of 4 pins:

- SDIx (serial data input)
- SDOx (serial data output)
- SCKx (shift clock input or output)
- SSx (active-low slave select)

In Master mode operation, SCKx is a clock output; in Slave mode, it is a clock input.

**FIGURE 16-1: SPI MODULE BLOCK DIAGRAM**



## 16.1 SPI Helpful Tips

1. In Frame mode, if there is a possibility that the master may not be initialized before the slave:
  - a) If FRMPOL (SPIxCON2<13>) = 1, use a pull-down resistor on SSx.
  - b) If FRMPOL = 0, use a pull-up resistor on SSx.

**Note:** This insures that the first frame transmission after initialization is not shifted or corrupted.

2. In Non-Framed 3-Wire mode, (i.e., not using SSx from a master):
  - a) If CKP (SPIxCON1<6>) = 1, always place a pull-up resistor on SSx.
  - b) If CKP = 0, always place a pull-down resistor on SSx.

**Note:** This will insure that during power-up and initialization the master/slave will not lose Sync due to an errant SCK transition that would cause the slave to accumulate data shift errors for both transmit and receive appearing as corrupted data.

3. FRMEN (SPIxCON2<15>) = 1 and SSEN (SPIxCON1<7>) = 1 are exclusive and invalid. In Frame mode, SCKx is continuous and the Frame Sync pulse is active on the SSx pin, which indicates the start of a data frame.

**Note:** Not all third-party devices support Frame mode timing. Refer to the SPI electrical characteristics for details.

4. In Master mode only, set the SMP bit (SPIxCON1<9>) to a '1' for the fastest SPI data rate possible. The SMP bit can only be set at the same time or after the MSTEN bit (SPIxCON1<5>) is set.

To avoid invalid slave read data to the master, the user's master software must ensure enough time for slave software to fill its write buffer before the user application initiates a master write/read cycle. It is always advisable to preload the SPIxBUF Transmit register in advance of the next master transaction cycle. SPIxBUF is transferred to the SPI Shift register and is empty once the data transmission begins.

## 16.2 SPI Resources

Many useful resources related to SPI are provided on the Microchip web site ([www.microchip.com](http://www.microchip.com)).

### 16.2.1 KEY RESOURCES

- **Section 18. "Serial Peripheral Interface (SPI)"** (DS70206)
- Code Samples
- Application Notes
- Software Libraries
- Webinars
- All related "*dsPIC33F/PIC24H Family Reference Manual*" Sections
- Development Tools

**16.3 SPI Control Registers**

**REGISTER 16-1: SPIxSTAT: SPIx STATUS AND CONTROL REGISTER**

|        |        |         |     |     |     |        |        |
|--------|--------|---------|-----|-----|-----|--------|--------|
| R/W-0  | U-0    | R/W-0   | U-0 | U-0 | U-0 | U-0    | U-0    |
| SPIEN  | —      | SPISIDL | —   | —   | —   | —      | —      |
| bit 15 |        |         |     |     |     |        | bit 8  |
| U-0    | R/C-0  | U-0     | U-0 | U-0 | U-0 | R-0    | R-0    |
| —      | SPIROV | —       | —   | —   | —   | SPITBF | SPIRBF |
| bit 7  |        |         |     |     |     |        | bit 0  |

|                   |                                    |
|-------------------|------------------------------------|
| <b>Legend:</b>    | C = Clearable bit                  |
| R = Readable bit  | W = Writable bit                   |
| -n = Value at POR | '1' = Bit is set                   |
|                   | U = Unimplemented bit, read as '0' |
|                   | '0' = Bit is cleared               |
|                   | x = Bit is unknown                 |

- bit 15      **SPIEN:** SPIx Enable bit  
 1 = Enables module and configures SCKx, SDOx, SDIx and  $\overline{SSx}$  as serial port pins  
 0 = Disables module
- bit 14      **Unimplemented:** Read as '0'
- bit 13      **SPISIDL:** Stop in Idle Mode bit  
 1 = Discontinues module operation when device enters Idle mode  
 0 = Continues module operation in Idle mode
- bit 12-7    **Unimplemented:** Read as '0'
- bit 6        **SPIROV:** Receive Overflow Flag bit  
 1 = A new byte/word is completely received and discarded; the user software has not read the previous data in the SPIxBUF register  
 0 = No overflow has occurred
- bit 5-2     **Unimplemented:** Read as '0'
- bit 1        **SPITBF:** SPIx Transmit Buffer Full Status bit  
 1 = Transmit not yet started, SPIxTXB is full  
 0 = Transmit started, SPIxTXB is empty  
 Automatically set in hardware when the CPU writes to the SPIxBUF location, loading SPIxTXB.  
 Automatically cleared in hardware when the SPIx module transfers data from SPIxTXB to SPIxSR.
- bit 0        **SPIRBF:** SPIx Receive Buffer Full Status bit  
 1 = Receive is complete, SPIxRXB is full  
 0 = Receive is not complete, SPIxRXB is empty  
 Automatically set in hardware when SPIx transfers data from SPIxSR to SPIxRXB.  
 Automatically cleared in hardware when core reads the SPIxBUF location, reading SPIxRXB.

# dsPIC33FJ06GS001/101A/102A/202A and dsPIC33FJ09GS302

## REGISTER 16-2: SPIxCON1: SPIx CONTROL REGISTER 1

|        |     |     |        |        |        |       |                    |
|--------|-----|-----|--------|--------|--------|-------|--------------------|
| U-0    | U-0 | U-0 | R/W-0  | R/W-0  | R/W-0  | R/W-0 | R/W-0              |
| —      | —   | —   | DISSCK | DISSDO | MODE16 | SMP   | CKE <sup>(1)</sup> |
| bit 15 |     |     |        |        |        |       | bit 8              |

|                     |       |       |                          |       |       |                          |       |
|---------------------|-------|-------|--------------------------|-------|-------|--------------------------|-------|
| R/W-0               | R/W-0 | R/W-0 | R/W-0                    | R/W-0 | R/W-0 | R/W-0                    | R/W-0 |
| SSEN <sup>(3)</sup> | CKP   | MSTEN | SPRE<2:0> <sup>(2)</sup> |       |       | PPRE<1:0> <sup>(2)</sup> |       |
| bit 7               |       |       |                          |       |       |                          | bit 0 |

### Legend:

R = Readable bit                      W = Writable bit                      U = Unimplemented bit, read as '0'  
 -n = Value at POR                      '1' = Bit is set                      '0' = Bit is cleared                      x = Bit is unknown

- bit 15-13      **Unimplemented:** Read as '0'
- bit 12      **DISSCK:** Disable SCKx Pin bit (SPI Master modes only)
  - 1 = Internal SPI clock is disabled; pin functions as I/O
  - 0 = Internal SPI clock is enabled
- bit 11      **DISSDO:** Disable SDOx Pin bit
  - 1 = SDOx pin is not used by module; pin functions as I/O
  - 0 = SDOx pin is controlled by the module
- bit 10      **MODE16:** Word/Byte Communication Select bit
  - 1 = Communication is word-wide (16 bits)
  - 0 = Communication is byte-wide (8 bits)
- bit 9      **SMP:** SPIx Data Input Sample Phase bit
  - Master mode:
  - 1 = Input data is sampled at end of data output time
  - 0 = Input data is sampled at middle of data output time
  - Slave mode:
  - SMP must be cleared when SPIx is used in Slave mode.
- bit 8      **CKE:** SPIx Clock Edge Select bit<sup>(1)</sup>
  - 1 = Serial output data changes on transition from active clock state to Idle clock state (see bit 6)
  - 0 = Serial output data changes on transition from Idle clock state to active clock state (see bit 6)
- bit 7      **SSEN:** Slave Select Enable bit (Slave mode)<sup>(3)</sup>
  - 1 =  $\overline{SSx}$  pin is used for Slave mode
  - 0 =  $\overline{SSx}$  pin is not used by module; pin is controlled by port function
- bit 6      **CKP:** Clock Polarity Select bit
  - 1 = Idle state for clock is a high level; active state is a low level
  - 0 = Idle state for clock is a low level; active state is a high level
- bit 5      **MSTEN:** Master Mode Enable bit
  - 1 = Master mode
  - 0 = Slave mode

- Note 1:** This bit is not used in Framed SPI modes. Program this bit to '0' for the Framed SPI modes (FRMEN = 1).  
**Note 2:** Do not set both Primary and Secondary prescalers to a value of 1:1.  
**Note 3:** This bit must be cleared when FRMEN = 1.



## REGISTER 16-2: SPIxCON1: SPIx CONTROL REGISTER 1 (CONTINUED)

bit 4-2      **SPRE<2:0>**: Secondary Prescale bits (Master mode)<sup>(2)</sup>

111 = Secondary prescale 1:1

110 = Secondary prescale 2:1

•

•

•

000 = Secondary prescale 8:1

bit 1-0      **PPRE<1:0>**: Primary Prescale bits (Master mode)<sup>(2)</sup>

11 = Primary prescale 1:1

10 = Primary prescale 4:1

01 = Primary prescale 16:1

00 = Primary prescale 64:1

**Note 1:** This bit is not used in Framed SPI modes. Program this bit to '0' for the Framed SPI modes (FRMEN = 1).

**2:** Do not set both Primary and Secondary prescalers to a value of 1:1.

**3:** This bit must be cleared when FRMEN = 1.

# dsPIC33FJ06GS001/101A/102A/202A and dsPIC33FJ09GS302

## REGISTER 16-3: SPIxCON2: SPIx CONTROL REGISTER 2

|        |        |        |     |     |     |     |       |
|--------|--------|--------|-----|-----|-----|-----|-------|
| R/W-0  | R/W-0  | R/W-0  | U-0 | U-0 | U-0 | U-0 | U-0   |
| FRMEN  | SPIFSD | FRMPOL | —   | —   | —   | —   | —     |
| bit 15 |        |        |     |     |     |     | bit 8 |

|       |     |     |     |     |     |        |     |
|-------|-----|-----|-----|-----|-----|--------|-----|
| U-0   | U-0 | U-0 | U-0 | U-0 | U-0 | R/W-0  | U-0 |
| —     | —   | —   | —   | —   | —   | FRMDLY | —   |
| bit 7 |     |     |     |     |     | bit 0  |     |

### Legend:

R = Readable bit

W = Writable bit

U = Unimplemented bit, read as '0'

-n = Value at POR

'1' = Bit is set

'0' = Bit is cleared

x = Bit is unknown

- bit 15      **FRMEN:** Framed SPIx Support bit  
             1 = Framed SPIx support enabled ( $\overline{SSx}$  pin used as Frame Sync pulse input/output)  
             0 = Framed SPIx support disabled
- bit 14      **SPIFSD:** Frame Sync Pulse Direction Control bit  
             1 = Frame Sync pulse input (slave)  
             0 = Frame Sync pulse output (master)
- bit 13      **FRMPOL:** Frame Sync Pulse Polarity bit  
             1 = Frame Sync pulse is active-high  
             0 = Frame Sync pulse is active-low
- bit 12-2    **Unimplemented:** Read as '0'
- bit 1        **FRMDLY:** Frame Sync Pulse Edge Select bit  
             1 = Frame Sync pulse coincides with first bit clock  
             0 = Frame Sync pulse precedes first bit clock
- bit 0        **Unimplemented:** This bit must not be set to '1' by the user application

## 17.0 INTER-INTEGRATED CIRCUIT™ (I<sup>2</sup>C™)

**Note 1:** This data sheet summarizes the features of the dsPIC33FJ06GS001/101A/102A/202A and dsPIC33FJ09GS302 families of devices. It is not intended to be a comprehensive reference source. To complement the information in this data sheet, refer to **Section 19. “Inter-Integrated Circuit (I<sup>2</sup>C™)”** (DS70195) in the “dsPIC33F/PIC24H Family Reference Manual”, which is available on the Microchip web site ([www.microchip.com](http://www.microchip.com)).

**2:** Some registers and associated bits described in this section may not be available on all devices. Refer to **Section 4.0 “Memory Organization”** in this data sheet for device-specific register and bit information.

The Inter-Integrated Circuit™ (I<sup>2</sup>C™) module provides complete hardware support for both Slave and Multi-Master modes of the I<sup>2</sup>C serial communication standard with a 16-bit interface.

The I<sup>2</sup>C module has a 2-pin interface:

- The SCL1 pin is the clock
- The SDA1 pin is data

The I<sup>2</sup>C module offers the following key features:

- I<sup>2</sup>C interface supporting both Master and Slave modes of operation
- I<sup>2</sup>C Slave mode supports 7-bit and 10-bit addressing
- I<sup>2</sup>C Master mode supports 7-bit and 10-bit addressing
- I<sup>2</sup>C port allows bidirectional transfers between master and slaves
- Serial clock synchronization for I<sup>2</sup>C port can be used as a handshake mechanism to suspend and resume serial transfer (SCLREL control)
- I<sup>2</sup>C supports multi-master operation, detects bus collision and arbitrates accordingly

## 17.1 Operating Modes

The hardware fully implements all the master and slave functions of the I<sup>2</sup>C Standard and Fast mode specifications, as well as 7-bit and 10-bit addressing.

The I<sup>2</sup>C module can operate either as a slave or a master on an I<sup>2</sup>C bus.

The following types of I<sup>2</sup>C operation are supported:

- I<sup>2</sup>C slave operation with 7-bit addressing
- I<sup>2</sup>C slave operation with 10-bit addressing
- I<sup>2</sup>C master operation with 7-bit or 10-bit addressing

For details about the communication sequence in each of these modes, please see the Microchip web site ([www.microchip.com](http://www.microchip.com)) for the latest “dsPIC33F/PIC24H Family Reference Manual” sections.

FIGURE 17-1: I<sup>2</sup>C™ BLOCK DIAGRAM



## 17.2 I<sup>2</sup>C Registers

I2C1CON and I2C1STAT are control and status registers, respectively. The I2C1CON register is readable and writable. The lower six bits of I2C1STAT are read-only. The remaining bits of the I2C1STAT are read/write:

- I2C1RSR is the shift register used for shifting data internal to the module and the user application has no access to it
- I2C1RCV is the receive buffer and the register to which data bytes are written, or from which data bytes are read

- I2C1TRN is the transmit register to which bytes are written during a transmit operation
- The I2C1ADD register holds the slave address
- A status bit, ADD10, indicates 10-Bit Address mode
- The I2C1BRG acts as the Baud Rate Generator (BRG) reload value

In receive operations, I2C1RSR and I2C1RCV together form a double-buffered receiver. When I2C1RSR receives a complete byte, it is transferred to I2C1RCV, and an interrupt pulse is generated.

**REGISTER 17-1: I2C1CON: I2C1 CONTROL REGISTER**

|        |     |         |           |        |       |        |       |
|--------|-----|---------|-----------|--------|-------|--------|-------|
| R/W-0  | U-0 | R/W-0   | R/W-1, HC | R/W-0  | R/W-0 | R/W-0  | R/W-0 |
| I2CEN  | —   | I2CSIDL | SCLREL    | IPMIEN | A10M  | DISSLW | SMEN  |
| bit 15 |     |         |           |        |       |        | bit 8 |

|       |       |       |           |           |           |           |           |
|-------|-------|-------|-----------|-----------|-----------|-----------|-----------|
| R/W-0 | R/W-0 | R/W-0 | R/W-0, HC | R/W-0, HC | R/W-0, HC | R/W-0, HC | R/W-0, HC |
| GCEN  | STREN | ACKDT | ACKEN     | RCEN      | PEN       | RSEN      | SEN       |
| bit 7 |       |       |           |           |           |           | bit 0     |

|                   |  |
|-------------------|--|
| <b>Legend:</b>    | HC = Hardware Clearable bit  |
| R = Readable bit  | W = Writable bit      U = Unimplemented bit, read as '0'           |
| -n = Value at POR | '1' = Bit is set      '0' = Bit is cleared      x = Bit is unknown |

- bit 15      **I2CEN:** I2C1 Enable bit  
 1 = Enables the I2C1 module and configures the SDA1 and SCL1 pins as serial port pins  
 0 = Disables the I2C1 module; all I<sup>2</sup>C pins are controlled by port functions
- bit 14      **Unimplemented:** Read as '0'
- bit 13      **I2CSIDL:** Stop in Idle Mode bit  
 1 = Discontinues module operation when device enters an Idle mode  
 0 = Continues module operation in Idle mode
- bit 12      **SCLREL:** SCL1 Release Control bit (when operating as I<sup>2</sup>C slave)  
 1 = Releases SCL1 clock  
 0 = Holds SCL1 clock low (clock stretch)  
If STREN = 1:  
 Bit is R/W (i.e., software can write '0' to initiate stretch and write '1' to release clock). Hardware is clear at beginning of slave transmission. Hardware is clear at end of slave reception.  
If STREN = 0:  
 Bit is R/S (i.e., software can only write '1' to release clock). Hardware is clear at beginning of slave transmission.
- bit 11      **IPMIEN:** Intelligent Peripheral Management Interface (IPMI) Enable bit  
 1 = IPMI mode is enabled; all addresses Acknowledged  
 0 = IPMI mode is disabled
- bit 10      **A10M:** 10-Bit Slave Address bit  
 1 = I2C1ADD is a 10-bit slave address  
 0 = I2C1ADD is a 7-bit slave address
- bit 9      **DISSLW:** Disable Slew Rate Control bit  
 1 = Slew rate control is disabled  
 0 = Slew rate control is enabled

## REGISTER 17-1: I2C1CON: I2C1 CONTROL REGISTER (CONTINUED)

- bit 8      **SMEN:** SMBus Input Levels bit  
1 = Enables I/O pin thresholds compliant with SMBus specification  
0 = Disables SMBus input thresholds
- bit 7      **GCEN:** General Call Enable bit (when operating as I<sup>2</sup>C slave)  
1 = Enables interrupt when a general call address is received in the I2C1RSR (module is enabled for reception)  
0 = General call address is disabled
- bit 6      **STREN:** SCL1 Clock Stretch Enable bit (when operating as I<sup>2</sup>C slave)  
Used in conjunction with SCLREL bit.  
1 = Enables software or receives clock stretching  
0 = Disables software or receives clock stretching
- bit 5      **ACKDT:** Acknowledge Data bit (when operating as I<sup>2</sup>C master, applicable during master receive)  
Value that is transmitted when the software initiates an Acknowledge sequence.  
1 = Sends NACK during Acknowledge  
0 = Sends ACK during Acknowledge
- bit 4      **ACKEN:** Acknowledge Sequence Enable bit (when operating as I<sup>2</sup>C master, applicable during master receive)  
1 = Initiates Acknowledge sequence on SDA1 and SCL1 pins and transmits ACKDT data bit. Hardware is clear at end of master Acknowledge sequence.  
0 = Acknowledge sequence is not in progress
- bit 3      **RCEN:** Receive Enable bit (when operating as I<sup>2</sup>C master)  
1 = Enables Receive mode for I<sup>2</sup>C. Hardware is clear at end of eighth bit of master receive data byte.  
0 = Receive sequence is not in progress
- bit 2      **PEN:** Stop Condition Enable bit (when operating as I<sup>2</sup>C master)  
1 = Initiates Stop condition on SDA1 and SCL1 pins. Hardware is clear at end of master Stop sequence.  
0 = Stop condition is not in progress
- bit 1      **RSEN:** Repeated Start Condition Enable bit (when operating as I<sup>2</sup>C master)  
1 = Initiates Repeated Start condition on SDA1 and SCL1 pins. Hardware is clear at end of master Repeated Start sequence.  
0 = Repeated Start condition is not in progress
- bit 0      **SEN:** Start Condition Enable bit (when operating as I<sup>2</sup>C master)  
1 = Initiates Start condition on SDA1 and SCL1 pins. Hardware is clear at end of master Start sequence.  
0 = Start condition is not in progress

# dsPIC33FJ06GS001/101A/102A/202A and dsPIC33FJ09GS302

## REGISTER 17-2: I2C1STAT: I2C1 STATUS REGISTER

|          |          |     |     |     |            |          |          |
|----------|----------|-----|-----|-----|------------|----------|----------|
| R-0, HSC | R-0, HSC | U-0 | U-0 | U-0 | R/C-0, HSC | R-0, HSC | R-0, HSC |
| ACKSTAT  | TRSTAT   | —   | —   | —   | BCL        | GCSTAT   | ADD10    |
| bit 15   |          |     |     |     |            |          | bit 8    |

|           |           |          |            |            |          |          |          |
|-----------|-----------|----------|------------|------------|----------|----------|----------|
| R/C-0, HS | R/C-0, HS | R-0, HSC | R/C-0, HSC | R/C-0, HSC | R-0, HSC | R-0, HSC | R-0, HSC |
| IWCOL     | I2COV     | D_A      | P          | S          | R_W      | RBF      | TBF      |
| bit 7     |           |          |            |            |          |          | bit 0    |

|                   |                            |  |
|-------------------|----------------------------|--|
| <b>Legend:</b>    | HS = Hardware Settable bit | HSC = Hardware Settable/Clearable bit                |
| R = Readable bit  | W = Writable bit           | U = Unimplemented bit, read as '0' C = Clearable bit |
| -n = Value at POR | '1' = Bit is set           | '0' = Bit is cleared x = Bit is unknown              |

- bit 15     **ACKSTAT:** Acknowledge Status bit  
(when operating as I<sup>2</sup>C master, applicable to master transmit operation)  
1 = NACK is received from slave  
0 = ACK is received from slave  
Hardware is set or clear at end of slave Acknowledge.
- bit 14     **TRSTAT:** Transmit Status bit (when operating as I<sup>2</sup>C master, applicable to master transmit operation)  
1 = Master transmit is in progress (8 bits + ACK)  
0 = Master transmit is not in progress  
Hardware is set at beginning of master transmission. Hardware is clear at end of slave Acknowledge.
- bit 13-11   **Unimplemented:** Read as '0'
- bit 10     **BCL:** Master Bus Collision Detect bit  
1 = A bus collision has been detected during a master operation  
0 = No collision  
Hardware is set at detection of bus collision.
- bit 9      **GCSTAT:** General Call Status bit  
1 = General call address was received  
0 = General call address was not received  
Hardware is set when address matches general call address. Hardware is clear at Stop detection.
- bit 8      **ADD10:** 10-Bit Address Status bit  
1 = 10-bit address was matched  
0 = 10-bit address was not matched  
Hardware is set at match of 2nd byte of matched 10-bit address. Hardware is clear at Stop detection.
- bit 7      **IWCOL:** Write Collision Detect bit  
1 = An attempt to write to the I2C1TRN register failed because the I<sup>2</sup>C module is busy  
0 = No collision  
Hardware is set at occurrence of write to I2C1TRN while busy (cleared by software).
- bit 6      **I2COV:** Receive Overflow Flag bit  
1 = A byte was received while the I2C1RCV register is still holding the previous byte  
0 = No overflow  
Hardware is set at attempt to transfer I2C1RSR to I2C1RCV (cleared by software).
- bit 5      **D\_A:** Data/Address bit (when operating as I<sup>2</sup>C slave)  
1 = Indicates that the last byte received was data  
0 = Indicates that the last byte received was the device address  
Hardware is clear at device address match. Hardware is set by reception of slave byte.
- bit 4      **P:** Stop bit  
1 = Indicates that a Stop bit has been detected last  
0 = Stop bit was not detected last  
Hardware is set or clear when Start, Repeated Start or Stop is detected.

## REGISTER 17-2: I2C1STAT: I2C1 STATUS REGISTER (CONTINUED)

- bit 3      **S:** Start bit  
1 = Indicates that a Start (or Repeated Start) bit has been detected last  
0 = Start bit was not detected last  
Hardware is set or clear when Start, Repeated Start or Stop is detected.
- bit 2      **R\_W:** Read/Write Information bit (when operating as I<sup>2</sup>C slave)  
1 = Read – indicates data transfer is output from slave  
0 = Write – indicates data transfer is input to slave  
Hardware is set or clear after reception of I<sup>2</sup>C device address byte.
- bit 1      **RBF:** Receive Buffer Full Status bit  
1 = Receive is complete, I2C1RCV is full  
0 = Receive is not complete, I2C1RCV is empty  
Hardware is set when I2C1RCV is written with received byte. Hardware is clear when software reads I2C1RCV.
- bit 0      **TBF:** Transmit Buffer Full Status bit  
1 = Transmit is in progress, I2C1TRN is full  
0 = Transmit is complete, I2C1TRN is empty  
Hardware is set when software writes I2C1TRN. Hardware is clear at completion of data transmission.



# dsPIC33FJ06GS001/101A/102A/202A and dsPIC33FJ09GS302

## REGISTER 17-3: I2C1MSK: I2C1 SLAVE MODE ADDRESS MASK REGISTER

|        |     |     |     |     |     |           |       |
|--------|-----|-----|-----|-----|-----|-----------|-------|
| U-0    | U-0 | U-0 | U-0 | U-0 | U-0 | R/W-0     | R/W-0 |
| —      | —   | —   | —   | —   | —   | AMSK<9:8> |       |
| bit 15 |     |     |     |     |     | bit 8     |       |

|           |       |       |       |       |       |       |       |
|-----------|-------|-------|-------|-------|-------|-------|-------|
| R/W-0     | R/W-0 | R/W-0 | R/W-0 | R/W-0 | R/W-0 | R/W-0 | R/W-0 |
| AMSK<7:0> |       |       |       |       |       |       |       |
| bit 7     |       |       |       |       |       | bit 0 |       |

### Legend:

R = Readable bit

W = Writable bit

U = Unimplemented bit, read as '0'

-n = Value at POR

'1' = Bit is set

'0' = Bit is cleared

x = Bit is unknown

bit 15-10

**Unimplemented:** Read as '0'

bit 9-0

**AMSK<9:0>:** Mask for Address bit x Select bits

1 = Enables masking for bit x of incoming message address; bit match not required in this position

0 = Disables masking for bit x; bit match required in this position

NOTES:

## 18.0 UNIVERSAL ASYNCHRONOUS RECEIVER TRANSMITTER (UART)

**Note 1:** This data sheet summarizes the features of the dsPIC33FJ06GS001/101A/102A/202A and dsPIC33FJ09GS302 family of devices. It is not intended to be a comprehensive reference source. To complement the information in this data sheet, refer to **Section 17. "UART"** (DS70188) in the "*dsPIC33F/PIC24H Family Reference Manual*", which is available on the Microchip web site ([www.microchip.com](http://www.microchip.com)).

**2:** Some registers and associated bits described in this section may not be available on all devices. Refer to **Section 4.0 "Memory Organization"** in this data sheet for device-specific register and bit information.

The Universal Asynchronous Receiver Transmitter (UART) module is a serial I/O module. The UART is a full-duplex, asynchronous system that can communicate with peripheral devices, such as personal computers, LIN/J2602, RS-232 and RS-485 interfaces. The module also supports a hardware flow control option with the U1CTS and U1RTS pins, and also includes an IrDA® encoder and decoder.

**Note:** The dsPIC33FJ06GS001 device does not have a UART module.

The primary features of the UART module are:

- Full-duplex, 8-bit or 9-bit data transmission through the U1TX and U1RX pins
- Even, Odd or No Parity options (for 8-bit data)
- One or two Stop bits
- Hardware flow control option with  $\overline{U1CTS}$  and  $\overline{U1RTS}$  pins
- Fully integrated Baud Rate Generator (BRG) with 16-bit prescaler
- Baud rates ranging from 10 Mbps to 38 bps at 40 MIPS
- 4-deep First-In First-Out (FIFO) transmit data buffer
- 4-deep FIFO receive data buffer
- Parity, framing and buffer overrun error detection
- Support for 9-bit mode with address detect (9th bit = 1)
- Transmit and Receive interrupts
- Separate interrupt for all UART error conditions
- Loopback mode for diagnostic support
- Support for Sync and Break characters
- Support for automatic baud rate detection
- IrDA encoder and decoder logic
- 16x baud clock output for IrDA® support

A simplified block diagram of the UART module is shown in **Figure 18-1**. The UART module consists of these key hardware elements:

- BRG
- Asynchronous transmitter
- Asynchronous receiver

**FIGURE 18-1: UART SIMPLIFIED BLOCK DIAGRAM**



## 18.1 UART Helpful Tips

1. In multinode, direct-connect UART networks, UART receive inputs react to the complementary logic level defined by the URXINV bit (U1MODE<4>), which defines the Idle state, the default of which is logic high, (i.e., URXINV = 0). Because remote devices do not initialize at the same time, it is likely that one of the devices, because the RX line is floating, will trigger a Start bit detection and will cause the first byte received after the device has been initialized to be invalid. To avoid this situation, the user should use a pull-up or pull-down resistor on the RX pin, depending on the value of the URXINV bit.
  - a) If URXINV = 0, use a pull-up resistor on the RX pin.
  - b) If URXINV = 1, use a pull-down resistor on the RX pin.
2. The first character received on a wake-up from Sleep mode, caused by activity on the UxRX pin of the UART module, will be invalid. In Sleep mode, peripheral clocks are disabled. By the time the oscillator system has restarted and stabilized from Sleep mode, the baud rate bit sampling clock, relative to the incoming UxRX bit timing, is no longer synchronized. This results in the first character being invalid; this is to be expected.

## 18.2 UART Resources

Many useful resources related to UART are provided on the Microchip web site ([www.microchip.com](http://www.microchip.com)).

### 18.2.1 KEY RESOURCES

- **Section 17. “UART”** (DS70188) in the *“dsPIC33F/PIC24H Family Reference Manual”*
- Code Samples
- Application Notes
- Software Libraries
- Webinars
- All related *“dsPIC33F/PIC24H Family Reference Manual”* Sections
- Development Tools

## 18.3 UART Registers

### REGISTER 18-1: U1MODE: UART1 MODE REGISTER

|                         |     |                      |                       |                      |     |                         |       |
|-------------------------|-----|----------------------|-----------------------|----------------------|-----|-------------------------|-------|
| R/W-0                   | U-0 | R/W-0                | R/W-0                 | R/W-0                | U-0 | R/W-0                   | R/W-0 |
| UARTEN <sup>(1,3)</sup> | —   | USIDL <sup>(3)</sup> | IREN <sup>(2,3)</sup> | RTSMD <sup>(3)</sup> | —   | UEN<1:0> <sup>(3)</sup> |       |
| bit 15                  |     |                      |                       |                      |     | bit 8                   |       |

|                     |                       |                      |                       |                     |                           |       |                      |
|---------------------|-----------------------|----------------------|-----------------------|---------------------|---------------------------|-------|----------------------|
| R/W-0, HC           | R/W-0                 | R/W-0, HC            | R/W-0                 | R/W-0               | R/W-0                     | R/W-0 | R/W-0                |
| WAKE <sup>(3)</sup> | LPBACK <sup>(3)</sup> | ABAUD <sup>(3)</sup> | URXINV <sup>(3)</sup> | BRGH <sup>(3)</sup> | PDSEL<1:0> <sup>(3)</sup> |       | STSEL <sup>(3)</sup> |
| bit 7               |                       |                      |                       |                     |                           | bit 0 |                      |

|                   |  |
|-------------------|--|
| <b>Legend:</b>    | HC = Hardware Clearable bit  |
| R = Readable bit  | W = Writable bit      U = Unimplemented bit, read as '0'           |
| -n = Value at POR | '1' = Bit is set      '0' = Bit is cleared      x = Bit is unknown |

- bit 15      **UARTEN:** UART1 Enable bit<sup>(1,3)</sup>  
 1 = UART1 is enabled; all UART1 pins are controlled by UART1, as defined by UEN<1:0>  
 0 = UART1 is disabled; all UART1 pins are controlled by port latches; UART1 power consumption is minimal
- bit 14      **Unimplemented:** Read as '0'
- bit 13      **USIDL:** Stop in Idle Mode bit<sup>(3)</sup>  
 1 = Discontinues module operation when device enters Idle mode  
 0 = Continues module operation in Idle mode
- bit 12      **IREN:** IrDA<sup>®</sup> Encoder and Decoder Enable bit<sup>(2,3)</sup>  
 1 = IrDA<sup>®</sup> encoder and decoder are enabled  
 0 = IrDA<sup>®</sup> encoder and decoder are disabled
- bit 11      **RTSMD:** Mode Selection for  $\overline{U1RTS}$  Pin bit<sup>(3)</sup>  
 1 =  $\overline{U1RTS}$  pin is in Simplex mode  
 0 =  $\overline{U1RTS}$  pin is in Flow Control mode
- bit 10      **Unimplemented:** Read as '0'
- bit 9-8      **UEN<1:0>:** UART1 Pin Enable bits<sup>(3)</sup>  
 11 = U1TX, U1RX and BCLK pins are enabled and used;  $\overline{U1CTS}$  pin is controlled by port latches  
 10 = U1TX, U1RX,  $\overline{U1CTS}$  and  $\overline{U1RTS}$  pins are enabled and used  
 01 = U1TX, U1RX and  $\overline{U1RTS}$  pins are enabled and used;  $\overline{U1CTS}$  pin is controlled by port latches  
 00 = U1TX and U1RX pins are enabled and used;  $\overline{U1CTS}$  and  $\overline{U1RTS}$ /BCLK pins are controlled by port latches
- bit 7      **WAKE:** Wake-up on Start bit Detect During Sleep Mode Enable bit<sup>(3)</sup>  
 1 = UART1 will continue to sample the U1RX pin; interrupt is generated on falling edge; bit is cleared in hardware on following rising edge  
 0 = No wake-up is enabled
- bit 6      **LPBACK:** UART1 Loopback Mode Select bit<sup>(3)</sup>  
 1 = Enable Loopback mode  
 0 = Loopback mode is disabled
- bit 5      **ABAUD:** Auto-Baud Enable bit<sup>(3)</sup>  
 1 = Enable baud rate measurement on the next character – requires reception of a Sync field (0x55) before other data; cleared in hardware upon completion  
 0 = Baud rate measurement is disabled or completed

**Note 1:** Refer to **Section 17. “UART”** (DS70188) in the “dsPIC33F/PIC24H Family Reference Manual” for information on enabling the UART module for receive or transmit operation.

**2:** This feature is only available for the 16x BRG mode (BRGH = 0).

**3:** This bit is not available in the dsPIC33FJ06GS001 device.

# dsPIC33FJ06GS001/101A/102A/202A and dsPIC33FJ09GS302

---

## REGISTER 18-1: U1MODE: UART1 MODE REGISTER (CONTINUED)

|         |   |
|---------|---|
| bit 4   | <b>URXINV:</b> Receive Polarity Inversion bit <sup>(3)</sup><br>1 = U1RX Idle state is '0'<br>0 = U1RX Idle state is '1'  |
| bit 3   | <b>BRGH:</b> High Baud Rate Enable bit <sup>(3)</sup><br>1 = BRG generates 4 clocks per bit period (4x baud clock, High-Speed mode)<br>0 = BRG generates 16 clocks per bit period (16x baud clock, Standard mode) |
| bit 2-1 | <b>PDSEL&lt;1:0&gt;:</b> Parity and Data Selection bits <sup>(3)</sup><br>11 = 9-bit data, no parity<br>10 = 8-bit data, odd parity<br>01 = 8-bit data, even parity<br>00 = 8-bit data, no parity                 |
| bit 0   | <b>STSEL:</b> Stop Bit Selection bit <sup>(3)</sup><br>1 = Two Stop bits<br>0 = One Stop bit  |

**Note 1:** Refer to **Section 17. "UART"** (DS70188) in the "*dsPIC33F/PIC24H Family Reference Manual*" for information on enabling the UART module for receive or transmit operation.

**2:** This feature is only available for the 16x BRG mode (BRGH = 0).

**3:** This bit is not available in the dsPIC33FJ06GS001 device.

# dsPIC33FJ06GS001/101A/102A/202A and dsPIC33FJ09GS302

## REGISTER 18-2: U1STA: UART1 STATUS AND CONTROL REGISTER

|                         |                       |                         |     |                       |                        |                      |                     |
|-------------------------|-----------------------|-------------------------|-----|-----------------------|------------------------|----------------------|---------------------|
| R/W-0                   | R/W-0                 | R/W-0                   | U-0 | R/W-0, HC             | R/W-0                  | R-0                  | R-1                 |
| UTXISEL1 <sup>(2)</sup> | UTXINV <sup>(2)</sup> | UTXISEL0 <sup>(2)</sup> | —   | UTXBRK <sup>(2)</sup> | UTXEN <sup>(1,2)</sup> | UTXBF <sup>(2)</sup> | TRMT <sup>(2)</sup> |
| bit 15                  |                       |                         |     |                       |                        | bit 8                |                     |

|                             |                      |                      |                     |                     |                     |                      |     |
|-----------------------------|----------------------|----------------------|---------------------|---------------------|---------------------|----------------------|-----|
| R/W-0                       | R/W-0                | R/W-0                | R-1                 | R-0                 | R-0                 | R/C-0                | R-0 |
| URXISEL<1:0> <sup>(2)</sup> | ADDEN <sup>(2)</sup> | RIDLE <sup>(2)</sup> | PERR <sup>(2)</sup> | FERR <sup>(2)</sup> | OERR <sup>(2)</sup> | URXDA <sup>(2)</sup> |     |
| bit 7                       |                      |                      |                     |                     |                     | bit 0                |     |

|                   |                             |                                    |
|-------------------|-----------------------------|------------------------------------|
| <b>Legend:</b>    | HC = Hardware Clearable bit | C = Clearable bit                  |
| R = Readable bit  | W = Writable bit            | U = Unimplemented bit, read as '0' |
| -n = Value at POR | '1' = Bit is set            | '0' = Bit is cleared               |
|                   |                             | x = Bit is unknown                 |

- bit 15,13     **UTXISEL<1:0>**: Transmission Interrupt Mode Selection bits<sup>(2)</sup>  
                   11 = Reserved; do not use  
                   10 = Interrupt when a character is transferred to the Transmit Shift Register (TSR), and as a result, the transmit buffer becomes empty  
                   01 = Interrupt when the last character is shifted out of the Transmit Shift Register; all transmit operations are completed  
                   00 = Interrupt when a character is transferred to the Transmit Shift Register (this implies that there is at least one character open in the transmit buffer)
- bit 14     **UTXINV**: Transmit Polarity Inversion bit<sup>(2)</sup>  
                   If IREN = 0:  
                   1 = U1TX Idle state is '0'  
                   0 = U1TX Idle state is '1'  
                   If IREN = 1:  
                   1 = IrDA<sup>®</sup> encoded U1TX Idle state is '1'  
                   0 = IrDA encoded U1TX Idle state is '0'
- bit 12     **Unimplemented**: Read as '0'
- bit 11     **UTXBRK**: Transmit Break bit<sup>(2)</sup>  
                   1 = Send Sync Break on next transmission – Start bit, followed by twelve '0' bits, followed by Stop bit; cleared by hardware upon completion  
                   0 = Sync Break transmission is disabled or completed
- bit 10     **UTXEN**: Transmit Enable bit<sup>(1,2)</sup>  
                   1 = Transmit is enabled, U1TX pin is controlled by UART1  
                   0 = Transmit is disabled, any pending transmission is aborted and buffer is reset; U1TX pin is controlled by port
- bit 9     **UTXBF**: Transmit Buffer Full Status bit (read-only)<sup>(2)</sup>  
                   1 = Transmit buffer is full  
                   0 = Transmit buffer is not full; at least one more character can be written
- bit 8     **TRMT**: Transmit Shift Register Empty bit (read-only)<sup>(2)</sup>  
                   1 = Transmit Shift Register is empty and transmit buffer is empty (the last transmission has completed)  
                   0 = Transmit Shift Register is not empty, a transmission is in progress or queued

- Note 1:** Refer to **Section 17. “UART”** (DS70188) in the “dsPIC33F/PIC24H Family Reference Manual” for information on enabling the UART module for transmit operation.
- 2:** This bit is not available in the dsPIC33FJ06GS001 device.

# dsPIC33FJ06GS001/101A/102A/202A and dsPIC33FJ09GS302

---

## REGISTER 18-2: U1STA: UART1 STATUS AND CONTROL REGISTER (CONTINUED)

- bit 7-6      **URXISEL<1:0>**: Receive Interrupt Mode Selection bits<sup>(2)</sup>  
11 = Interrupt is set on U1RSR transfer, making the receive buffer full (i.e., has 4 data characters)  
10 = Interrupt is set on U1RSR transfer, making the receive buffer 3/4 full (i.e., has 3 data characters)  
0x = Interrupt is set when any character is received and transferred from the U1RSR to the receive buffer; receive buffer has one or more characters
- bit 5      **ADDEN**: Address Character Detect bit (bit 8 of received data = 1)<sup>(2)</sup>  
1 = Address Detect mode is enabled; if 9-bit mode is not selected, this does not take effect  
0 = Address Detect mode is disabled
- bit 4      **RIDLE**: Receiver Idle bit (read-only)<sup>(2)</sup>  
1 = Receiver is Idle  
0 = Receiver is active
- bit 3      **PERR**: Parity Error Status bit (read-only)<sup>(2)</sup>  
1 = Parity error has been detected for the current character (character at the top of the receive FIFO)  
0 = Parity error has not been detected
- bit 2      **FERR**: Framing Error Status bit (read-only)<sup>(2)</sup>  
1 = Framing error has been detected for the current character (character at the top of the receive FIFO)  
0 = Framing error has not been detected
- bit 1      **OERR**: Receive Buffer Overrun Error Status bit (clear/read-only)<sup>(2)</sup>  
1 = Receive buffer has overflowed  
0 = Receive buffer has not overflowed. Clearing a previously set OERR bit (1 → 0 transition) will reset the receiver buffer and the U1RSR to the empty state.
- bit 0      **URXDA**: Receive Buffer Data Available bit (read-only)<sup>(2)</sup>  
1 = Receive buffer has data, at least one more character can be read  
0 = Receive buffer is empty

**Note 1:** Refer to **Section 17. “UART”** (DS70188) in the “*dsPIC33F/PIC24H Family Reference Manual*” for information on enabling the UART module for transmit operation.

**2:** This bit is not available in the dsPIC33FJ06GS001 device.



## 19.0 HIGH-SPEED 10-BIT ANALOG-TO-DIGITAL CONVERTER (ADC)

**Note 1:** This data sheet summarizes the features of the dsPIC33FJ06GS001/101A/102A/202A and dsPIC33FJ09GS302 families of devices. It is not intended to be a comprehensive reference source. To complement the information in this data sheet, refer to **Section 44. “High-Speed 10-Bit ADC”** (DS70321) in the “*dsPIC33F/PIC24H Family Reference Manual*”, which is available on the Microchip web site ([www.microchip.com](http://www.microchip.com)).

**2:** Some registers and associated bits described in this section may not be available on all devices. Refer to **Section 4.0 “Memory Organization”** in this data sheet for device-specific register and bit information.

The dsPIC33FJ06GS001/101A/102A/202A and dsPIC33FJ09GS302 family of devices provides high-speed successive approximation, Analog-to-Digital conversions to support applications such as AC-to-DC and DC-to-DC Power Converters.

### 19.1 Features Overview

The ADC module comprises the following features:

- 10-bit resolution
- Unipolar inputs
- One Successive Approximation Register (SAR)
- Up to eight external input channels
- Up to two internal analog inputs
- Dedicated result register for each analog input
- $\pm 1$  LSB accuracy at 3.3V
- Single supply operation
- 2 Msps conversion rate at 3.3V
- Low-power CMOS technology

### 19.2 Module Description

This ADC module is designed for applications that require low latency between the request for conversion and the resultant output data. Typical applications include:

- AC/DC Power Supplies
- DC/DC Converters
- Power Factor Correction (PFC)

This ADC works with the high-speed PWM module in power control applications that require high-frequency control loops. This small conversion delay reduces the “phase lag” between measurement and control system response.

Up to three inputs may be sampled at a time (two inputs from the dedicated Sample-and-Hold circuits and one from the shared Sample-and-Hold circuit). If multiple inputs request conversion, the ADC will convert them in a sequential manner, starting with the lowest order input.

This ADC design provides each pair of analog inputs (AN1, AN0), (AN3, AN2),..., the ability to specify its own trigger source out of a maximum of sixteen different trigger sources. This capability allows this ADC to sample and convert analog inputs that are associated with PWM generators operating on independent time bases.

The user application typically requires synchronization between analog data sampling and PWM output to the application circuit. The very high-speed operation of this ADC module allows “data on demand”.

In addition, several hardware features have been added to the peripheral interface to improve real-time performance in a typical DSP-based application:

- Result alignment options
- Automated sampling
- External conversion start control
- Two internal inputs to monitor INTREF and EXTREF input signals (not available in dsPIC33FJ06GS101A/102A devices)

Block diagrams of the ADC module are shown in [Figure 19-1](#) through [Figure 19-5](#).

### 19.3 Module Functionality

The high-speed, 10-bit ADC module is designed to support power conversion applications when used with the high-speed PWM module. The ADC has one SAR and only one conversion can be processed at a time, yielding a conversion rate of 2 Msps or the equivalent of one 10-bit conversion, in half a microsecond (0.5  $\mu$ s).

The ADC module supports up to eight external analog inputs and two internal analog inputs. To monitor reference voltage, two internal inputs, AN12 and AN13, are connected to the EXTREF and INTREF voltages, respectively.

**Note:** The dsPIC33FJ06GS101A/102A devices do not have the internal connection to EXTREF.

The analog reference voltage is defined as the device supply voltage (AVDD/AVSS).

FIGURE 19-1: ADC BLOCK DIAGRAM FOR THE dsPIC33FJ06GS001 DEVICE



FIGURE 19-2: ADC BLOCK DIAGRAM FOR THE dsPIC33FJ06GS101A DEVICE



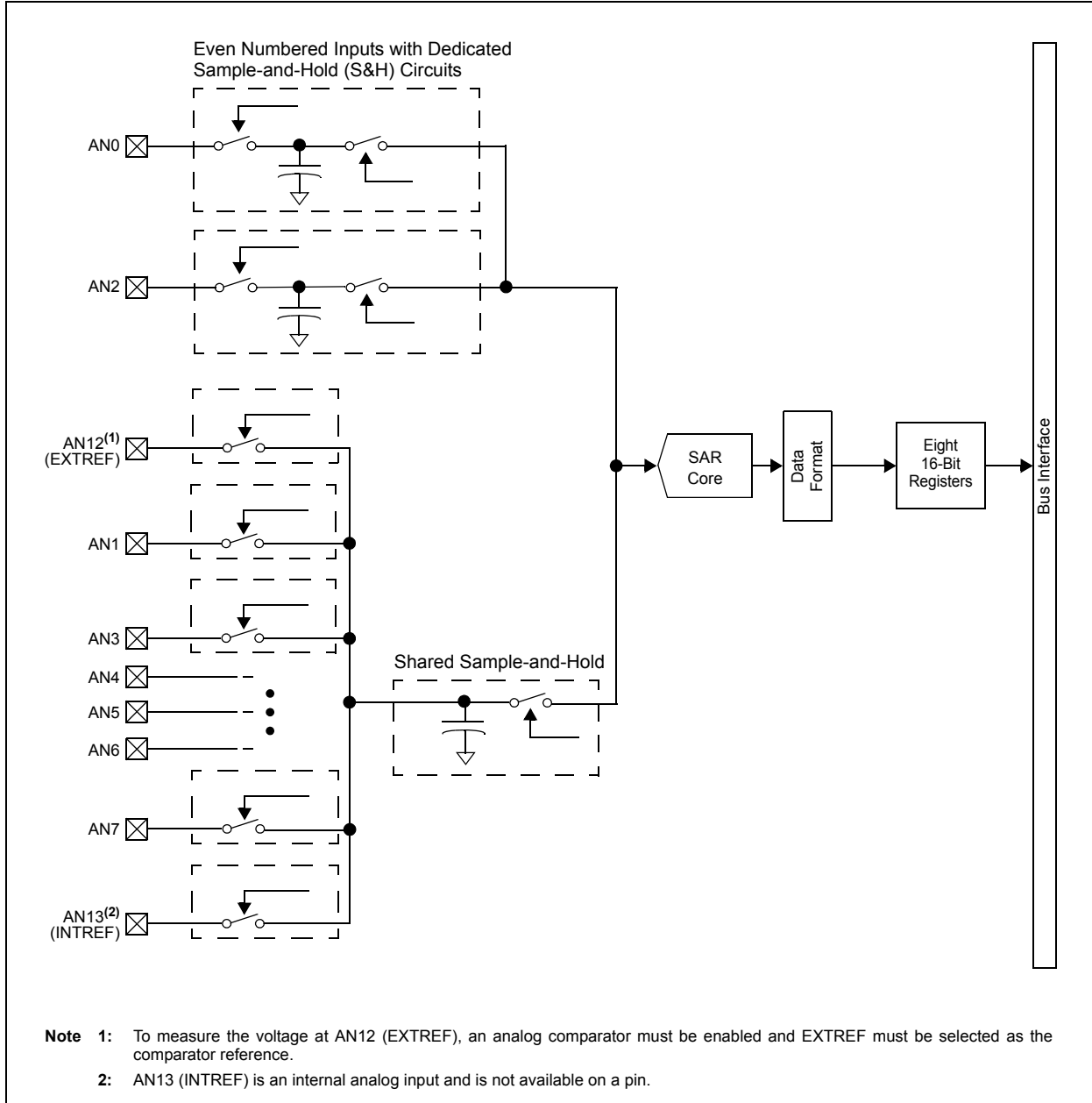
FIGURE 19-3: ADC BLOCK DIAGRAM FOR dsPIC33FJ06GS102A DEVICE



FIGURE 19-4: ADC BLOCK DIAGRAM FOR dsPIC33FJ06GS202A DEVICE



FIGURE 19-5: ADC BLOCK DIAGRAM FOR dsPIC33FJ09GS302 DEVICE



## 19.4 ADC Control Registers

The ADC module uses the following control and status registers:

- [ADCON: ADC Control Register](#)
- [ADSTAT: ADC Status Register](#)
- [ADBASE: ADC Base Register\(1\)](#)
- [ADPCFG: ADC Port Configuration Register](#)
- [ADCPC0: ADC Convert Pair Control Register 0](#)
- [ADCPC1: ADC Convert Pair Control Register 1](#)
- [ADCPC3: ADC Convert Pair Control Register 3\(1\)](#)

The ADCON register controls the operation of the ADC module. The ADSTAT register displays the status of the conversion processes. The ADPCFG register configures the port pins as analog inputs or as digital I/Os. The ADCPCx registers control the triggering of the ADC conversions. See [Register 19-1](#) through [Register 19-7](#) for detailed bit configurations.

**Note:** A unique feature of the ADC module is its ability to sample inputs in an asynchronous manner. Individual Sample-and-Hold circuits can be triggered independently of each other.

### REGISTER 19-1: ADCON: ADC CONTROL REGISTER

|        |     |        |                        |     |        |     |                     |
|--------|-----|--------|------------------------|-----|--------|-----|---------------------|
| R/W-0  | U-0 | R/W-0  | R/W-0                  | U-0 | R/W-0  | U-0 | R/W-0               |
| ADON   | —   | ADSIDL | SLOWCLK <sup>(1)</sup> | —   | GSWTRG | —   | FORM <sup>(1)</sup> |
| bit 15 |     |        |                        |     |        |     | bit 8               |

|                    |                      |                        |                          |     |                          |       |       |
|--------------------|----------------------|------------------------|--------------------------|-----|--------------------------|-------|-------|
| R/W-0              | R/W-0                | R/W-0                  | R/W-0                    | U-0 | R/W-0                    | R/W-1 | R/W-1 |
| EIE <sup>(1)</sup> | ORDER <sup>(1)</sup> | SEQSAMP <sup>(1)</sup> | ASYNCSAMP <sup>(1)</sup> | —   | ADCS<2:0> <sup>(1)</sup> |       |       |
| bit 7              |                      |                        |                          |     |                          |       | bit 0 |

**Legend:**

|                   |                  |  |
|-------------------|------------------|--|
| R = Readable bit  | W = Writable bit | U = Unimplemented bit, read as '0'           |
| -n = Value at POR | '1' = Bit is set | '0' = Bit is cleared      x = Bit is unknown |

- bit 15      **ADON:** ADC Operating Mode bit  
1 = ADC module is operating  
0 = ADC module is off
- bit 14      **Unimplemented:** Read as '0'
- bit 13      **ADSIDL:** Stop in Idle Mode bit  
1 = Discontinues module operation when device enters Idle mode  
0 = Continues module operation in Idle mode
- bit 12      **SLOWCLK:** Enable Slow Clock Divider bit<sup>(1)</sup>  
1 = ADC is clocked by the auxiliary PLL (ACLK)  
0 = ADC is clocked by the primary PLL (Fvco)
- bit 11      **Unimplemented:** Read as '0'
- bit 10      **GSWTRG:** Global Software Trigger bit  
When this bit is set by the user, it will trigger conversions if selected by the TRGSRC<4:0> bits in the ADCPCx registers. This bit must be cleared by the user prior to initiating another global trigger (i.e., this bit is not auto-clearing).
- bit 9        **Unimplemented:** Read as '0'

**Note 1:** This control bit can only be changed while the ADC is disabled (ADON = 0).

## REGISTER 19-1: ADON: ADC CONTROL REGISTER (CONTINUED)

- bit 8      **FORM:** Data Output Format bit<sup>(1)</sup>  
1 = Fractional (DOUT = dddd dddd dd00 0000)  
0 = Integer (DOUT = 0000 00dd dddd dddd)
- bit 7      **EIE:** Early Interrupt Enable bit<sup>(1)</sup>  
1 = Interrupt is generated after first conversion is completed  
0 = Interrupt is generated after second conversion is completed
- bit 6      **ORDER:** Conversion Order bit<sup>(1)</sup>  
1 = Odd numbered analog input is converted first, followed by conversion of even numbered input  
0 = Even numbered analog input is converted first, followed by conversion of odd numbered input
- bit 5      **SEQSAMP:** Sequential Sample Enable bit<sup>(1)</sup>  
1 = Shared Sample-and-Hold (S&H) circuit is sampled at the start of the second conversion if ORDER = 0. If ORDER = 1, then the shared S&H is sampled at the start of the first conversion.  
0 = Shared S&H is sampled at the same time the dedicated S&H is sampled if the shared S&H is not currently busy with an existing conversion process. If the shared S&H is busy at the time the dedicated S&H is sampled, then the shared S&H will sample at the start of the new conversion cycle.
- bit 4      **ASYNC SAMP:** Asynchronous Dedicated S&H Sampling Enable bit<sup>(1)</sup>  
1 = The dedicated S&H is constantly sampling and then terminates sampling as soon as the trigger pulse is detected  
0 = The dedicated S&H starts sampling when the trigger event is detected and completes the sampling process in two ADC clock cycles
- bit 3      **Unimplemented:** Read as '0'
- bit 2-0    **ADCS<2:0>:** Analog-to-Digital Conversion Clock Divider Select bits<sup>(1)</sup>  
111 = FADC/8  
110 = FADC/7  
101 = FADC/6  
100 = FADC/5  
011 = FADC/4 (default)  
010 = FADC/3  
001 = FADC/2  
000 = FADC/1

**Note 1:** This control bit can only be changed while the ADC is disabled (ADON = 0).



# dsPIC33FJ06GS001/101A/102A/202A and dsPIC33FJ09GS302

## REGISTER 19-2: ADSTAT: ADC STATUS REGISTER

|        |     |     |     |     |     |       |     |
|--------|-----|-----|-----|-----|-----|-------|-----|
| U-0    | U-0 | U-0 | U-0 | U-0 | U-0 | U-0   | U-0 |
| —      | —   | —   | —   | —   | —   | —     | —   |
| bit 15 |     |     |     |     |     | bit 8 |     |

|       |           |     |     |                      |                      |           |           |
|-------|-----------|-----|-----|----------------------|----------------------|-----------|-----------|
| U-0   | R/C-0, HS | U-0 | U-0 | R/C-0, HS            | R/C-0, HS            | R/C-0, HS | R/C-0, HS |
| —     | P6RDY     | —   | —   | P3RDY <sup>(1)</sup> | P2RDY <sup>(2)</sup> | P1RDY     | P0RDY     |
| bit 7 |           |     |     |                      |                      | bit 0     |           |

|                   |                   |  |
|-------------------|-------------------|--|
| <b>Legend:</b>    | C = Clearable bit | HS = Hardware Settable bit                   |
| R = Readable bit  | W = Writable bit  | U = Unimplemented bit, read as '0'           |
| -n = Value at POR | '1' = Bit is set  | '0' = Bit is cleared      x = Bit is unknown |

- bit 15-7      **Unimplemented:** Read as '0'
- bit 6      **P6RDY:** Conversion Data for Pair 6 Ready bit  
Bit is set when data is ready in buffer, cleared when a '0' is written to this bit.
- bit 5-4      **Unimplemented:** Read as '0'
- bit 3      **P3RDY:** Conversion Data for Pair 3 Ready bit<sup>(1)</sup>  
Bit is set when data is ready in buffer, cleared when a '0' is written to this bit.
- bit 2      **P2RDY:** Conversion Data for Pair 3 Ready bit<sup>(2)</sup>  
Bit is set when data is ready in buffer, cleared when a '0' is written to this bit.
- bit 1      **P1RDY:** Conversion Data for Pair 1 Ready bit  
Bit is set when data is ready in buffer, cleared when a '0' is written to this bit.
- bit 0      **P0RDY:** Conversion Data for Pair 0 Ready bit  
Bit is set when data is ready in buffer, cleared when a '0' is written to this bit.

- Note 1:** This bit is not implemented in dsPIC33FJ06GS102A/202A devices.
- 2:** This bit is not implemented in dsPIC33FJ06GS001/101A devices.

# dsPIC33FJ06GS001/101A/102A/202A and dsPIC33FJ09GS302

## REGISTER 19-3: ADBASE: ADC BASE REGISTER<sup>(1)</sup>

|                             |       |       |       |       |       |       |       |
|-----------------------------|-------|-------|-------|-------|-------|-------|-------|
| R/W-0                       | R/W-0 | R/W-0 | R/W-0 | R/W-0 | R/W-0 | R/W-0 | R/W-0 |
| ADBASE<15:8> <sup>(2)</sup> |       |       |       |       |       |       |       |
| bit 15                      |       |       |       |       |       |       | bit 8 |

|                            |       |       |       |       |       |       |       |
|----------------------------|-------|-------|-------|-------|-------|-------|-------|
| R/W-0                      | R/W-0 | R/W-0 | R/W-0 | R/W-0 | R/W-0 | R/W-0 | U-0   |
| ADBASE<7:1> <sup>(2)</sup> |       |       |       |       |       |       | —     |
| bit 7                      |       |       |       |       |       |       | bit 0 |

### Legend:

|                   |                  |  |
|-------------------|------------------|--|
| R = Readable bit  | W = Writable bit | U = Unimplemented bit, read as '0'           |
| -n = Value at POR | '1' = Bit is set | '0' = Bit is cleared      x = Bit is unknown |

bit 15-1      **ADBASE<15:1>**: ADC Base Register bits<sup>(2)</sup>

This register contains the base address of the user's ADC Interrupt Service Routine (ISR) jump table. This register, when read, contains the sum of the ADBASE register contents and the encoded value of the P<sub>x</sub>RDY status bits.

The encoder logic provides the bit number of the highest priority P<sub>x</sub>RDY bits, where P<sub>0</sub>RDY is the highest priority and P<sub>6</sub>RDY is the lowest priority.

bit 0      **Unimplemented**: Read as '0'

**Note 1:** As an alternative to using the ADBASE register, the ADCP<sub>0-6</sub> ADC Pair Conversion Complete Interrupts can be used to invoke A to D conversion completion routines for individual ADC input pairs.

**2:** The encoding results are shifted left two bits, so bits 1-0 of the result are always zero.

# dsPIC33FJ06GS001/101A/102A/202A and dsPIC33FJ09GS302

**REGISTER 19-4: ADPCFG: ADC PORT CONFIGURATION REGISTER**

|        |     |     |     |     |     |       |     |
|--------|-----|-----|-----|-----|-----|-------|-----|
| U-0    | U-0 | U-0 | U-0 | U-0 | U-0 | U-0   | U-0 |
| —      | —   | —   | —   | —   | —   | —     | —   |
| bit 15 |     |     |     |     |     | bit 8 |     |

|                      |                      |     |     |       |       |       |       |
|----------------------|----------------------|-----|-----|-------|-------|-------|-------|
| R/W-0                | R/W-0                | U-0 | U-0 | R/W-0 | R/W-0 | R/W-0 | R/W-0 |
| PCFG7 <sup>(1)</sup> | PCFG6 <sup>(1)</sup> | —   | —   | PCFG3 | PCFG2 | PCFG1 | PCFG0 |
| bit 7                |                      |     |     |       |       | bit 0 |       |

**Legend:**

|                   |                  |                                    |
|-------------------|------------------|------------------------------------|
| R = Readable bit  | W = Writable bit | U = Unimplemented bit, read as '0' |
| -n = Value at POR | '1' = Bit is set | '0' = Bit is cleared               |
|                   |                  | x = Bit is unknown                 |

bit 15-8      **Unimplemented:** Read as '0'

bit 7-6      **PCFG<7:6>:** Analog-to-Digital Port Configuration Control bits<sup>(1)</sup>

1 = Port pin is in Digital mode; port read input is enabled; Analog-to-Digital input multiplexer is connected to AVss

0 = Port pin is in Analog mode; port read input is disabled; Analog-to-Digital samples pin voltage

bit 5-4      **Unimplemented:** Read as '0'

bit 3-0      **PCFG<3:0>:** Analog-to-Digital Port Configuration Control bits

1 = Port pin is in Digital mode; port read input is enabled; Analog-to-Digital input multiplexer is connected to AVss

0 = Port pin is in Analog mode; port read input is disabled; Analog-to-Digital samples pin voltage

**Note 1:** This bit is not implemented in dsPIC33FJ06GS102A/202A devices.

**Note 2:** This bit is not implemented in dsPIC33FJ06GS001/101A devices.

# dsPIC33FJ06GS001/101A/102A/202A and dsPIC33FJ09GS302

## REGISTER 19-5: ADCPC0: ADC CONVERT PAIR CONTROL REGISTER 0

|        |       |        |              |       |       |       |       |
|--------|-------|--------|--------------|-------|-------|-------|-------|
| R/W-0  | R/W-0 | R/W-0  | R/W-0        | R/W-0 | R/W-0 | R/W-0 | R/W-0 |
| IRQEN1 | PEND1 | SWTRG1 | TRGSRC1<4:0> |       |       |       |       |
| bit 15 |       |        |              |       |       |       | bit 8 |

|        |       |        |              |       |       |       |       |
|--------|-------|--------|--------------|-------|-------|-------|-------|
| R/W-0  | R/W-0 | R/W-0  | R/W-0        | R/W-0 | R/W-0 | R/W-0 | R/W-0 |
| IRQEN0 | PEND0 | SWTRG0 | TRGSRC0<4:0> |       |       |       |       |
| bit 7  |       |        |              |       |       |       | bit 0 |

### Legend:

|                   |                  |  |
|-------------------|------------------|--|
| R = Readable bit  | W = Writable bit | U = Unimplemented bit, read as '0'           |
| -n = Value at POR | '1' = Bit is set | '0' = Bit is cleared      x = Bit is unknown |

- bit 15      **IRQEN1:** Interrupt Request Enable 1 bit  
 1 = Enables IRQ generation when requested conversion of channels AN3 and AN2 is completed  
 0 = IRQ is not generated
- bit 14      **PEND1:** Pending Conversion Status 1 bit  
 1 = Conversion of channels AN3 and AN2 is pending; set when selected trigger is asserted  
 0 = Conversion is complete
- bit 13      **SWTRG1:** Software Trigger 1 bit  
 1 = Starts conversion of AN3 and AN2 (if selected by the TRGSRCx bits)<sup>(1)</sup>  
 This bit is automatically cleared by hardware when the PEND1 bit is set.  
 0 = Conversion has not started
- bit 12-8    **TRGSRC1<4:0>:** Trigger 1 Source Selection bits  
 Selects trigger source for conversion of analog channels AN3 and AN2.  
 11111 = Timer2 period match  
 •  
 •  
 •  
 11011 = Reserved  
 11010 = PWM Generator 4 current-limit ADC trigger  
 11001 = Reserved  
 11000 = PWM Generator 2 current-limit ADC trigger  
 10111 = PWM Generator 1 current-limit ADC trigger  
 10110 = Reserved  
 •  
 •  
 •  
 10010 = Reserved  
 10001 = PWM Generator 4 secondary trigger is selected  
 10000 = Reserved  
 01111 = PWM Generator 2 secondary trigger is selected  
 01110 = PWM Generator 1 secondary trigger is selected  
 01101 = Reserved  
 01100 = Timer1 period match  
 •  
 •  
 •  
 01000 = Reserved  
 00111 = PWM Generator 4 primary trigger is selected  
 00110 = Reserved  
 00101 = PWM Generator 2 primary trigger is selected  
 00100 = PWM Generator 1 primary trigger is selected  
 00011 = PWM Special Event Trigger is selected  
 00010 = Global software trigger is selected  
 00001 = Individual software trigger is selected  
 00000 = No conversion is enabled

**Note 1:** The trigger source must be set as a global software trigger prior to setting this bit to '1'. If other conversions are in progress, then conversion will be performed when the conversion resources are available.

## REGISTER 19-5: ADCPC0: ADC CONVERT PAIR CONTROL REGISTER 0 (CONTINUED)

|         |  |
|---------|--|
| bit 7   | <b>IRQEN0:</b> Interrupt Request Enable 0 bit<br>1 = Enables IRQ generation when requested conversion of channels AN1 and AN0 is completed<br>0 = IRQ is not generated   |
| bit 6   | <b>PEND0:</b> Pending Conversion Status 0 bit<br>1 = Conversion of channels AN1 and AN0 is pending; set when selected trigger is asserted<br>0 = Conversion is complete  |
| bit 5   | <b>SWTRG0:</b> Software Trigger 0 bit<br>1 = Starts conversion of AN1 and AN0 (if selected by the TRGSRCx bits) <sup>(1)</sup><br>This bit is automatically cleared by hardware when the PEND0 bit is set.<br>0 = Conversion has not started   |
| bit 4-0 | <b>TRGSRC0&lt;4:0&gt;:</b> Trigger 0 Source Selection bits<br>Selects trigger source for conversion of analog channels AN1 and AN0.<br>11111 = Timer2 period match<br>•<br>•<br>•<br>11011 = Reserved<br>11010 = PWM Generator 4 current-limit ADC trigger<br>11001 = Reserved<br>11000 = PWM Generator 2 current-limit ADC trigger<br>10111 = PWM Generator 1 current-limit ADC trigger<br>10110 = Reserved<br>•<br>•<br>•<br>10010 = Reserved<br>10001 = PWM Generator 4 secondary trigger is selected<br>10000 = Reserved<br>01111 = PWM Generator 2 secondary trigger is selected<br>01110 = PWM Generator 1 secondary trigger is selected<br>01101 = Reserved<br>01100 = Timer1 period match<br>•<br>•<br>•<br>01000 = Reserved<br>00111 = PWM Generator 4 primary trigger is selected<br>00110 = Reserved<br>00101 = PWM Generator 2 primary trigger is selected<br>00100 = PWM Generator 1 primary trigger is selected<br>00011 = PWM Special Event Trigger is selected<br>00010 = Global software trigger is selected<br>00001 = Individual software trigger is selected<br>00000 = No conversion is enabled |

**Note 1:** The trigger source must be set as a global software trigger prior to setting this bit to '1'. If other conversions are in progress, then conversion will be performed when the conversion resources are available.

# dsPIC33FJ06GS001/101A/102A/202A and dsPIC33FJ09GS302

## REGISTER 19-6: ADCPC1: ADC CONVERT PAIR CONTROL REGISTER 1

|                       |                      |                       |                             |       |       |       |       |
|-----------------------|----------------------|-----------------------|-----------------------------|-------|-------|-------|-------|
| R/W-0                 | R/W-0                | R/W-0                 | R/W-0                       | R/W-0 | R/W-0 | R/W-0 | R/W-0 |
| IRQEN3 <sup>(1)</sup> | PEND3 <sup>(1)</sup> | SWTRG3 <sup>(1)</sup> | TRGSRC3<4:0> <sup>(1)</sup> |       |       |       |       |
| bit 15                |                      |                       |                             |       |       | bit 8 |       |

|                       |                      |                       |                             |       |       |       |       |
|-----------------------|----------------------|-----------------------|-----------------------------|-------|-------|-------|-------|
| R/W-0                 | R/W-0                | R/W-0                 | R/W-0                       | R/W-0 | R/W-0 | R/W-0 | R/W-0 |
| IRQEN2 <sup>(2)</sup> | PEND2 <sup>(2)</sup> | SWTRG2 <sup>(2)</sup> | TRGSRC2<4:0> <sup>(2)</sup> |       |       |       |       |
| bit 7                 |                      |                       |                             |       |       | bit 0 |       |

### Legend:

R = Readable bit                      W = Writable bit                      U = Unimplemented bit, read as '0'  
 -n = Value at POR                      '1' = Bit is set                      '0' = Bit is cleared                      x = Bit is unknown

- bit 15            **IRQEN3:** Interrupt Request Enable 3 bit<sup>(1)</sup>  
 1 = Enables IRQ generation when requested conversion of channels AN7 and AN6 is completed  
 0 = IRQ is not generated
- bit 14            **PEND3:** Pending Conversion Status 3 bit<sup>(1)</sup>  
 1 = Conversion of channels AN7 and AN6 is pending; set when selected trigger is asserted  
 0 = Conversion is complete
- bit 13            **SWTRG3:** Software Trigger 3 bit<sup>(1)</sup>  
 1 = Starts conversion of AN7 and AN6 (if selected by the TRGSRCx bits)<sup>(3)</sup>  
 This bit is automatically cleared by hardware when the PEND3 bit is set.  
 0 = Conversion has not started
- bit 12-8        **TRGSRC3<4:0>:** Trigger 3 Source Selection bits<sup>(1)</sup>  
 Selects trigger source for conversion of analog channels AN7 and AN6.  
 11111 = Timer2 period match  
 .  
 .  
 .  
 11011 = Reserved  
 11010 = PWM Generator 4 current-limit ADC trigger  
 11001 = Reserved  
 11000 = PWM Generator 2 current-limit ADC trigger  
 10111 = PWM Generator 1 current-limit ADC trigger  
 10110 = Reserved  
 .  
 .  
 .  
 10010 = Reserved  
 10001 = PWM Generator 4 secondary trigger is selected  
 10000 = Reserved  
 01111 = PWM Generator 2 secondary trigger is selected  
 01110 = PWM Generator 1 secondary trigger is selected  
 01101 = Reserved  
 01100 = Timer1 period match  
 .  
 .  
 .  
 01000 = Reserved  
 00111 = PWM Generator 4 primary trigger is selected  
 00110 = Reserved  
 00101 = PWM Generator 2 primary trigger is selected  
 00100 = PWM Generator 1 primary trigger is selected  
 00011 = PWM Special Event Trigger is selected  
 00010 = Global software trigger is selected  
 00001 = Individual software trigger is selected  
 00000 = No conversion is enabled

- Note 1:** This bit is available in dsPIC33FJ06GS001/101A and dsPIC33FJ09GS302 devices only.  
**Note 2:** This bit is available in dsPIC33FJ06GS102A/201A and dsPIC33FJ09GS302 devices only.  
**Note 3:** The trigger source must be set as a global software trigger prior to setting this bit to '1'. If other conversions are in progress, conversion will be performed when the conversion resources are available.

## REGISTER 19-6: ADCPC1: ADC CONVERT PAIR CONTROL REGISTER 1 (CONTINUED)

|         |   |
|---------|---|
| bit 7   | <b>IRQEN2:</b> Interrupt Request Enable 2 bit <sup>(2)</sup><br>1 = Enables IRQ generation when requested conversion of channels AN5 and AN4 is completed<br>0 = IRQ is not generated   |
| bit 6   | <b>PEND2:</b> Pending Conversion Status 2 bit <sup>(2)</sup><br>1 = Conversion of channels AN5 and AN4 is pending; set when selected trigger is asserted.<br>0 = Conversion is complete   |
| bit 5   | <b>SWTRG2:</b> Software Trigger 2 bit <sup>(2)</sup><br>1 = Starts conversion of AN5 and AN4 (if selected by the TRGSRCx bits) <sup>(3)</sup><br>This bit is automatically cleared by hardware when the PEND2 bit is set.<br>0 = Conversion has not started   |
| bit 4-0 | <b>TRGSRC2&lt;4:0&gt;:</b> Trigger 2 Source Selection bits <sup>(2)</sup><br>Selects trigger source for conversion of analog channels AN5 and AN4.<br>11111 = Timer2 period match<br>.<br>.<br>.<br>11011 = Reserved<br>11010 = PWM Generator 4 current-limit ADC trigger<br>11001 = Reserved<br>11000 = PWM Generator 2 current-limit ADC trigger<br>10111 = PWM Generator 1 current-limit ADC trigger<br>10110 = Reserved<br>.<br>.<br>.<br>10010 = Reserved<br>10001 = PWM Generator 4 secondary trigger is selected<br>10000 = Reserved<br>01111 = PWM Generator 2 secondary trigger is selected<br>01110 = PWM Generator 1 secondary trigger is selected<br>01101 = Reserved<br>01100 = Timer1 period match<br>.<br>.<br>.<br>01000 = Reserved<br>00111 = PWM Generator 4 primary trigger is selected<br>00110 = Reserved<br>00101 = PWM Generator 2 primary trigger is selected<br>00100 = PWM Generator 1 primary trigger is selected<br>00011 = PWM Special Event Trigger is selected<br>00010 = Global software trigger is selected<br>00001 = Individual software trigger is selected<br>00000 = No conversion is enabled |

- Note 1:** This bit is available in dsPIC33FJ06GS001/101A and dsPIC33FJ09GS302 devices only.
- 2:** This bit is available in dsPIC33FJ06GS102A/201A and dsPIC33FJ09GS302 devices only.
- 3:** The trigger source must be set as a global software trigger prior to setting this bit to '1'. If other conversions are in progress, conversion will be performed when the conversion resources are available.

# dsPIC33FJ06GS001/101A/102A/202A and dsPIC33FJ09GS302

## REGISTER 19-7: ADCPC3: ADC CONVERT PAIR CONTROL REGISTER 3<sup>(1)</sup>

|        |     |     |     |     |     |     |       |
|--------|-----|-----|-----|-----|-----|-----|-------|
| U-0    | U-0 | U-0 | U-0 | U-0 | U-0 | U-0 | U-0   |
| —      | —   | —   | —   | —   | —   | —   | —     |
| bit 15 |     |     |     |     |     |     | bit 8 |

|        |       |        |              |       |       |       |       |
|--------|-------|--------|--------------|-------|-------|-------|-------|
| R/W-0  | R/W-0 | R/W-0  | R/W-0        | R/W-0 | R/W-0 | R/W-0 | R/W-0 |
| IRQEN6 | PEND6 | SWTRG6 | TRGSRC6<4:0> |       |       |       |       |
| bit 7  |       |        |              |       |       |       | bit 0 |

### Legend:

R = Readable bit

W = Writable bit

U = Unimplemented bit, read as '0'

-n = Value at POR

'1' = Bit is set

'0' = Bit is cleared

x = Bit is unknown

bit 15-8 **Unimplemented:** Read as '0'

bit 7 **IRQEN6:** Interrupt Request Enable 6 bit

1 = Enable IRQ generation when requested conversion of channels AN13 and AN12 is completed

0 = IRQ is not generated

bit 6 **PEND6:** Pending Conversion Status 6 bit

1 = Conversion of channels AN13 and AN 12 is pending; set when selected trigger is asserted

0 = Conversion is complete

bit 5 **SWTRG6:** Software Trigger 6 bit

1 = Starts conversion of AN13 (INTREF) and AN12 (EXTREF) if selected by TRGSRC bits<sup>(2)</sup>

This bit is automatically cleared by hardware when the PEND6 bit is set.

0 = Conversion has not started

**Note 1:** If other conversions are in progress, conversion will be performed when the conversion resources are available.

**2:** AN13 is internally connected to Vref in all devices. AN12 is internally connected to the EXTREF pin in the dsPIC33FJ06001/202A and dsPIC33FJ09GS302 devices. The dsPIC33FJ06GS101A/102A devices not have an EXTREF pin; therefore, any data read on the corresponding AN12 input will be invalid.



## REGISTER 19-7: ADCPC3: ADC CONVERT PAIR CONTROL REGISTER 3<sup>(1)</sup> (CONTINUED)

bit 4-0      **TRGSRC6<4:0>**: Trigger 6 Source Selection bits  
Selects trigger source for conversion of analog channels AN13 and AN12.

- 11111 = Timer2 period match
- 
- 
- 
- 11011 = Reserved
- 11010 = PWM Generator 4 current-limit ADC trigger
- 11001 = Reserved
- 11000 = PWM Generator 2 current-limit ADC trigger
- 10111 = PWM Generator 1 current-limit ADC trigger
- 10110 = Reserved
- 
- 
- 
- 10010 = Reserved
- 10001 = PWM Generator 4 secondary trigger is selected
- 10000 = Reserved
- 01111 = PWM Generator 2 secondary trigger is selected
- 01110 = PWM Generator 1 secondary trigger is selected
- 01101 = Reserved
- 01100 = Timer1 period match
- 
- 
- 
- 01000 = Reserved
- 00111 = PWM Generator 4 primary trigger is selected
- 00110 = Reserved
- 00101 = PWM Generator 2 primary trigger is selected
- 00100 = PWM Generator 1 primary trigger is selected
- 00011 = PWM Special Event Trigger is selected
- 00010 = Global software trigger is selected
- 00001 = Individual software trigger is selected
- 00000 = No conversion is enabled

- Note 1:** If other conversions are in progress, conversion will be performed when the conversion resources are available.
- 2:** AN13 is internally connected to Vref in all devices. AN12 is internally connected to the EXTREF pin in the dsPIC33FJ06001/202A and dsPIC33FJ09GS302 devices. The dsPIC33FJ06GS101A/102A devices not have an EXTREF pin; therefore, any data read on the corresponding AN12 input will be invalid.

NOTES:

## 20.0 HIGH-SPEED ANALOG COMPARATOR

**Note 1:** This data sheet summarizes the features of the dsPIC33FJ06GS001/101A/102A/202A and dsPIC33FJ09GS302 families of devices. It is not intended to be a comprehensive reference source. To complement the information in this data sheet, refer to **Section 45. “High-Speed Analog Comparator”** (DS70296) in the “dsPIC33F/PIC24H Family Reference Manual”, which is available on the Microchip web site ([www.microchip.com](http://www.microchip.com)).

**2:** Some registers and associated bits described in this section may not be available on all devices. Refer to **Section 4.0 “Memory Organization”** in this data sheet for device-specific register and bit information.

The high-speed analog comparator module monitors current and/or voltage transients that may be too fast for the CPU and ADC to capture.

### 20.1 Features Overview

The SMPS comparator module offers the following major features:

- Eight selectable comparator inputs
- Up to two analog comparators
- 10-bit DAC for each analog comparator
- Programmable output polarity
- Interrupt generation capability

- DACOUT pin to provide DAC output
- DACOUT amplifier (1x, 1.8x)
- Selectable hysteresis
- DAC has three ranges of operation:
  - $AV_{DD}/2$
  - Internal Reference (INTREF)
  - External Reference (EXTREF)
- ADC sample and convert trigger capability
- Disable capability reduces power consumption
- Functional support for PWM module:
  - PWM duty cycle control
  - PWM period control
  - PWM Fault detect

### 20.2 Module Description

Figure 20-1 shows a functional block diagram of one analog comparator from the high-speed analog comparator module. The analog comparator provides high-speed operation with a typical delay of 20 ns. The comparator has a typical offset voltage of  $\pm 5$  mV. The negative input of the comparator is always connected to the DAC circuit. The positive input of the comparator is connected to an analog multiplexer that selects the desired source pin.

The analog comparator input pins are typically shared with pins used by the Analog-to-Digital Converter (ADC) module. Both the comparator and the ADC can use the same pins at the same time. This capability enables a user to measure an input voltage with the ADC and detect voltage transients with the comparator.

**FIGURE 20-1: HIGH-SPEED ANALOG COMPARATOR MODULE BLOCK DIAGRAM**



## 20.3 Module Applications

This module provides a means for the SMPS dsPIC DSC devices to monitor voltage and currents in a power conversion application. The ability to detect transient conditions and stimulate the dsPIC DSC processor and/or peripherals, without requiring the processor and ADC to constantly monitor voltages or currents, frees the dsPIC DSC to perform other tasks.

The comparator module has a high-speed comparator, an associated 10-bit DAC and a DAC output amplifier that provide a programmable reference voltage to the inverting input of the comparator. The polarity of the comparator output is user-programmable. The output of the module can be used in the following modes:

- Generate an Interrupt
- Trigger an ADC Sample and Convert Process
- Truncate the PWM Signal (current limit)
- Truncate the PWM Period (current minimum)
- Disable the PWM Outputs (Fault latch)

The output of the comparator module may be used in multiple modes at the same time, such as: 1) generate an interrupt, 2) have the ADC take a sample and convert it, and 3) truncate the PWM output in response to a voltage being detected beyond its expected value.

The comparator module can also be used to wake-up the system from Sleep or Idle mode when the analog input voltage exceeds the programmed threshold voltage.

## 20.4 DAC

The range of the DAC is controlled via an analog multiplexer that selects either  $AV_{DD}/2$ , an internal reference source, INTREF, or an external reference source, EXTREF. The full range of the DAC ( $AV_{DD}/2$ ) will typically be used when the chosen input source pin is shared with the ADC. The reduced range option (INTREF) will likely be used when monitoring current levels using a current sense resistor. Usually, the measured voltages in such applications are small ( $<1.25V$ ); therefore, the option of using a reduced reference range for the comparator extends the available DAC resolution in these applications. The use of an external reference enables the user to connect to a reference that better suits their application.

DACOUT, shown in [Figure 20-1](#), can only be associated with a single comparator at a given time.

**Note:** It should be ensured in software that multiple DACOE bits are not set. The output on the DACOUT pin will be indeterminate if multiple comparators enable the DAC output.

## 20.5 DAC Buffer Gain

The output of the DAC is buffered/amplified via the DAC buffer. The block functions as a 1x gain amplifier or as a 1.8x gain amplifier. The gain selection is controlled via the HGAIN bit in the CMPCONx register. Using the 1.8x gain option will raise the reference voltage to the analog comparator to a maximum of 2.8V. Using a higher reference voltage for the analog comparator can improve the signal-to-noise ratio in an application.

## 20.6 Comparator Input Range

The comparator has an input voltage range from  $-0.2V$  to  $AV_{DD} + 0.2V$ , making it a rail-to-rail input.

## 20.7 Digital Logic

The CMPCONx register (see [Register 20-1](#)) provides the control logic that configures the High-Speed Analog Comparator module. The digital logic provides a pulse stretcher. The analog comparator can respond to very fast transient signals. After the comparator output is given the desired polarity, the signal is passed to this pulse stretching circuit. The pulse stretching circuit has an asynchronous set function and a delay circuit that insure the minimum pulse width is three system clock cycles wide so that the attached circuitry can properly respond.

The stretch circuit is followed by a digital filter. The digital filter is enabled via the FLTREN bit in the CMPCONx register. The digital filter operates with the clock specified via the FCLKSEL bit in the CMPCONx register. The comparator signal must be stable in a high or low state for at least three of the selected clock cycles for it to pass through the digital filter.

During Sleep mode, the clock signal inputs to the module are disabled. However, the module's analog components may continue to function in a reduced power manner to allow the user to wake-up the device when a signal is applied to a comparator input.

In Sleep mode, the clocks are stopped; however, the analog comparator signal has an asynchronous connection across the filter that allows interrupts to be generated regardless of the stopped clocks.

The comparator can be disabled while in Idle mode if the CMPSIDL bit is set. If a device has multiple comparators, and any CMPSIDL bit is set, the entire group of comparators will be disabled while in Idle mode. The advantage is reduced power consumption. Moreover, this behavior reduces complexity in the design of the clock control logic for this module.

## 20.8 Hysteresis

An additional feature of the module is hysteresis control. Hysteresis can be enabled or disabled and its amplitude can be controlled by the HYSSEL<1:0> bits in the CMPCONx register. Three different values are available: 15 mV, 30 mV and 45 mV. It is also possible to select the edge (rising or falling) to which hysteresis is to be applied.

Hysteresis control prevents the comparator output from continuously changing state because of small perturbations (noise) at the input (see [Figure 20-2](#)).

**FIGURE 20-2: HYSTERESIS CONTROL**



## 20.9 Interaction with I/O Buffers

If the module is enabled and a pin has been selected as the source for the comparator, then the chosen I/O pad must disable the digital input buffer associated with the pad to prevent excessive currents in the digital buffer due to analog input voltages.

## 20.10 DAC Output Range

The DAC has a limitation for the maximum reference voltage input of  $(AV_{DD} - 1.5)$  volts. An external reference voltage input should not exceed this value or the reference DAC output will become indeterminate.

## 20.11 Analog Comparator Registers

The high-speed analog comparator module is controlled by the following registers:

- [CMPCONx: Comparator Control x Register](#)
- [CMPDACx: Comparator DAC Control x Register](#)

# dsPIC33FJ06GS001/101A/102A/202A and dsPIC33FJ09GS302

## REGISTER 20-1: CMPCONx: COMPARATOR CONTROL x REGISTER

|                      |     |                        |                            |                       |                        |                      |       |
|----------------------|-----|------------------------|----------------------------|-----------------------|------------------------|----------------------|-------|
| R/W-0                | U-0 | R/W-0                  | R/W-0                      | R/W-0                 | R/W-0                  | R/W-0                | R/W-0 |
| CMPON <sup>(1)</sup> | —   | CMPSIDL <sup>(1)</sup> | HYSSEL<1:0> <sup>(1)</sup> | FLTREN <sup>(1)</sup> | FCLKSEL <sup>(1)</sup> | DACOE <sup>(1)</sup> |       |
| bit 15               |     |                        |                            |                       |                        | bit 8                |       |

|                           |                       |                       |                        |                      |                       |                      |       |
|---------------------------|-----------------------|-----------------------|------------------------|----------------------|-----------------------|----------------------|-------|
| R/W-0                     | R/W-0                 | R/W-0                 | R/W-0                  | R/W-0                | R/W-0                 | R/W-0                | R/W-0 |
| INSEL<1:0> <sup>(1)</sup> | EXTREF <sup>(1)</sup> | HYSPOL <sup>(1)</sup> | CMPSTAT <sup>(1)</sup> | HGAIN <sup>(1)</sup> | CMPPOL <sup>(1)</sup> | RANGE <sup>(1)</sup> |       |
| bit 7                     |                       |                       |                        |                      |                       | bit 0                |       |

### Legend:

|                   |                  |                                    |
|-------------------|------------------|------------------------------------|
| R = Readable bit  | W = Writable bit | U = Unimplemented bit, read as '0' |
| -n = Value at POR | '1' = Bit is set | '0' = Bit is cleared               |
|                   |                  | x = Bit is unknown                 |

- bit 15      **CMPON:** Comparator Operating Mode bit<sup>(1)</sup>  
 1 = Comparator module is enabled  
 0 = Comparator module is disabled (reduces power consumption)
- bit 14      **Unimplemented:** Read as '0'
- bit 13      **CMPSIDL:** Stop in Idle Mode bit<sup>(1)</sup>  
 1 = Discontinues module operation when device enters Idle mode.  
 0 = Continues module operation in Idle mode  
 If a device has multiple comparators, any CMPSIDL bit that is set to '1' disables *all* comparators while in Idle mode.
- bit 12-11   **HYSSEL<1:0>:** Comparator Hysteresis Select bits<sup>(1)</sup>  
 11 = 45 mV hysteresis  
 10 = 30 mV hysteresis  
 01 = 15 mV hysteresis  
 00 = No hysteresis is selected
- bit 10      **FLTREN:** Digital Filter Enable bit<sup>(1)</sup>  
 1 = Digital filter is enabled  
 0 = Digital filter is disabled
- bit 9        **FCLKSEL:** Digital Filter and Pulse Stretcher Clock Select bit<sup>(1)</sup>  
 1 = Digital filter and pulse stretcher operate with the PWM clock  
 0 = Digital filter and pulse stretcher operate with the system clock
- bit 8        **DACOE:** DAC Output Enable<sup>(1)</sup>  
 1 = DAC analog voltage is output to DACOUT pin<sup>(2)</sup>  
 0 = DAC analog voltage is not connected to DACOUT pin
- bit 7-6      **INSEL<1:0>:** Input Source Select for Comparator bits<sup>(1)</sup>  
 11 = Select CMPxD input pin  
 10 = Select CMPxC input pin  
 01 = Select CMPxB input pin  
 00 = Select CMPxA input pin

- Note 1:** This bit is not implemented in dsPIC33FJ06GS101A/102A devices.
- Note 2:** DACOUT can be associated only with a single comparator at any given time. The software must ensure that multiple comparators do not enable the DAC output by setting their respective DACOE bit.
- Note 3:** For the INTREF value, refer to the DAC Module Specifications (Table 25-42) in Section 25.0 "Electrical Characteristics".

## REGISTER 20-1: CMPCONx: COMPARATOR CONTROL x REGISTER (CONTINUED)

|       |   |
|-------|---|
| bit 5 | <b>EXTREF:</b> Enable External Reference bit <sup>(1)</sup><br>1 = External source provides reference to DAC (maximum DAC voltage determined by external voltage source)<br>0 = Internal reference sources provide reference to DAC (maximum DAC voltage determined by RANGE bit setting) |
| bit 4 | <b>HYPOL:</b> Comparator Hysteresis Polarity Select bit <sup>(1)</sup><br>1 = Hysteresis is applied to the falling edge of the comparator output<br>0 = Hysteresis is applied to the rising edge of the comparator output   |
| bit 3 | <b>CMSTAT:</b> Current State of Comparator Output Including CMPPOL Selection bit <sup>(1)</sup>   |
| bit 2 | <b>HGAIN:</b> DAC Gain Enable bit <sup>(1)</sup><br>1 = Reference DAC output to comparator is scaled at 1.8x<br>0 = Reference DAC output to comparator is scaled at 1.0x  |
| bit 1 | <b>CMPPOL:</b> Comparator Output Polarity Control bit <sup>(1)</sup><br>1 = Output is inverted<br>0 = Output is non-inverted  |
| bit 0 | <b>RANGE:</b> Selects DAC Output Voltage Range bit <sup>(1)</sup><br>1 = High Range: Max DAC Value = $AV_{DD}/2$ , 1.65V at 3.3V $AV_{DD}$<br>0 = Low Range: Max DAC Value = INTREF <sup>(3)</sup>  |

**Note 1:** This bit is not implemented in dsPIC33FJ06GS101A/102A devices.

**2:** DACOUT can be associated only with a single comparator at any given time. The software must ensure that multiple comparators do not enable the DAC output by setting their respective DACOE bit.

**3:** For the INTREF value, refer to the DAC Module Specifications (Table 25-42) in Section 25.0 “Electrical Characteristics”.

# dsPIC33FJ06GS001/101A/102A/202A and dsPIC33FJ09GS302

## REGISTER 20-2: CMPDACx: COMPARATOR DAC CONTROL x REGISTER

|        |     |     |     |     |     |                           |       |
|--------|-----|-----|-----|-----|-----|---------------------------|-------|
| U-0    | U-0 | U-0 | U-0 | U-0 | U-0 | R/W-0                     | R/W-0 |
| —      | —   | —   | —   | —   | —   | CMREF<9:8> <sup>(1)</sup> |       |
| bit 15 |     |     |     |     |     | bit 8                     |       |

|                           |       |       |       |       |       |       |       |
|---------------------------|-------|-------|-------|-------|-------|-------|-------|
| R/W-0                     | R/W-0 | R/W-0 | R/W-0 | R/W-0 | R/W-0 | R/W-0 | R/W-0 |
| CMREF<7:0> <sup>(1)</sup> |       |       |       |       |       |       |       |
| bit 7                     |       |       |       |       |       | bit 0 |       |

### Legend:

R = Readable bit                      W = Writable bit                      U = Unimplemented bit, read as '0'  
 -n = Value at POR                      '1' = Bit is set                      '0' = Bit is cleared                      x = Bit is unknown

bit 15-10                      **Unimplemented:** Read as '0'

bit 9-0                      **CMREF<9:0>:** Comparator Reference Voltage Select bits<sup>(1)</sup>

1111111111 = (CMREF \* INTREF/1024) or (CMREF \* (AVDD/2)/1024) volts depending on RANGE bit or (CMREF \* EXTREF/1024) if EXTREF is set

- 
- 
- 

0000000000 = 0.0 volts

**Note 1:** These bits are not implemented in dsPIC33FJ06GS101A/102A devices.



## 21.0 CONSTANT CURRENT SOURCE

**Note 1:** This data sheet summarizes the features of the dsPIC33FJ06GS001/101A/102A/202A and dsPIC33FJ09GS302 families of devices. It is not intended to be a comprehensive reference source. To complement the information in this data sheet, refer to **Section 19. “Inter-Integrated Circuit (I<sup>2</sup>C™)” (DS70195)** in the “*dsPIC33F/PIC24H Family Reference Manual*”, which is available on the Microchip web site ([www.microchip.com](http://www.microchip.com)).

**2:** Some registers and associated bits described in this section may not be available on all devices. Refer to **Section 4.0 “Memory Organization”** in this data sheet for device-specific register and bit information.

The constant current source module is a precision current generator and is used in conjunction with ADC to measure the resistance of external resistors connected to device pins.

### 21.1 Features Overview

The constant current source module offers the following major features:

- Constant current generator (10  $\mu$ A nominal)
- Internal selectable connection to one out of four pins
- Enable/disable bit

### 21.2 Module Description

Figure 21-1 shows a functional block diagram of the constant current source module. It consists of a precision current generator with a nominal value of 10  $\mu$ A. The module can be enabled and disabled using the ISRCEN bit in the ISRCCON register. The output of the current generator is internally connected to one out of up to 4 pins. The OUTSEL<2:0> bits in the ISRCCON register allow selection of the target pin.

The current source is calibrated during testing.

FIGURE 21-1: CONSTANT CURRENT SOURCE MODULE BLOCK DIAGRAM



# dsPIC33FJ06GS001/101A/102A/202A and dsPIC33FJ09GS302

## 21.3 Current Source Control Register

### REGISTER 21-1: ISRCCON: CONSTANT CURRENT SOURCE CONTROL REGISTER<sup>(1)</sup>

|        |     |     |     |     |             |       |       |
|--------|-----|-----|-----|-----|-------------|-------|-------|
| R/W-0  | U-0 | U-0 | U-0 | U-0 | R/W-0       | R/W-0 | R/W-0 |
| ISRCEN | —   | —   | —   | —   | OUTSEL<2:0> |       |       |
| bit 15 |     |     |     |     |             |       | bit 8 |

|       |     |              |     |     |     |     |       |
|-------|-----|--------------|-----|-----|-----|-----|-------|
| U-0   | U-0 | R-0          | R-0 | R-0 | R-0 | R-0 | R-0   |
| —     | —   | ISRCCAL<5:0> |     |     |     |     |       |
| bit 7 |     |              |     |     |     |     | bit 0 |

#### Legend:

R = Readable bit                      W = Writable bit                      U = Unimplemented bit, read as '0'  
 -n = Value at POR                      '1' = Bit is set                      '0' = Bit is cleared                      x = Bit is unknown

bit 15                      **ISRCEN:** Current Source Enable bit  
                                  1 = Current source is enabled  
                                  0 = Current source is disabled

bit 14-11                      **Unimplemented:** Read as '0'

bit 10-8                      **OUTSEL<2:0>:** Output Current Select bits  
                                  111 = Reserved  
                                  110 = Reserved  
                                  101 = Reserved  
                                  100 = Select input pin, ISRC4 (AN4)  
                                  011 = Select input pin, ISRC3 (AN5)  
                                  010 = Select input pin, ISRC2 (AN6)  
                                  001 = Select input pin, ISRC1 (AN7)  
                                  000 = No output is selected

bit 7-6                      **Unimplemented:** Read as '0'

bit 5-0                      **ISRCCAL<5:0>:** Current Source Calibration bits  
                                  The calibration value must be copied from Flash address, 0x800840, into these bits. Refer to the Constant Current Source Calibration Register ([Register 22-1](#)) in [Section 22.0 "Special Features"](#) for more information.

**Note 1:** This register is available in the dsPIC33FJ09GS302 device only.

## 22.0 SPECIAL FEATURES

**Note 1:** This data sheet summarizes the features of the dsPIC33FJ06GS001/101A/102A/202A and dsPIC33FJ09GS302 devices. It is not intended to be a comprehensive reference source. To complement the information in this data sheet, refer to **Section 24. “Programming and Diagnostics”** (DS70207) and **Section 25. “Device Configuration”** (DS70194) in the “dsPIC33F/PIC24H Family Reference Manual”, which are available from the Microchip web site ([www.microchip.com](http://www.microchip.com)).

**2:** Some registers and associated bits described in this section may not be available on all devices. Refer to **Section 4.0 “Memory Organization”** in this data sheet for device-specific register and bit information.

The dsPIC33FJ06GS001/101A/102A/202A and dsPIC33FJ09GS302 family of devices includes several features that are included to maximize application flexibility and reliability, and minimize cost through elimination of external components. These features are:

- Flexible Configuration
- Watchdog Timer (WDT)
- Code Protection
- JTAG Boundary Scan Interface
- In-Circuit Serial Programming™ (ICSP™)
- In-Circuit Emulation
- Brown-out Reset (BOR)

## 22.1 Configuration Bits

The configuration bytes are implemented as volatile memory. This means that configuration data must be programmed each time the device is powered up. Configuration data is stored in the words at the top of the on-chip program memory space, known as the Flash Configuration Words. Their specific locations are shown in [Table 22-1](#) and [Table 22-2](#). The configuration data is automatically loaded from the Flash Configuration Words to the proper Configuration registers during device Resets.

**Note:** Configuration data is reloaded on all types of device Resets.

When creating applications for these devices, users should always specifically allocate the location of the Flash Configuration byte for configuration data. This is to make certain that program code is not stored in this address when the code is compiled.

The upper 2 bytes of all Flash Configuration Words in program memory should always be ‘1111 1111 1111 1111’. This makes them appear to be NOP instructions in the remote event that their locations are ever executed by accident. Since Configuration bits are not implemented in the corresponding locations, writing ‘1’s to these locations has no effect on device operation.

**Note:** Performing a page erase operation on the last page of program memory, clears the Flash Configuration Words, enabling code protection as a result. Therefore, users should avoid performing page erase operations on the last page of program memory

The Configuration Flash Byte maps are shown in [Table 22-1](#) and [Table 22-2](#).

The Constant Current Source Calibration register is shown in [Register 22-1](#).

**TABLE 22-1: CONFIGURATION FLASH BYTES FOR dsPIC33FJ06GS001/101A/X02A DEVICES**

| Address | Name    | Bits 23-8 | Bit 7                   | Bit 6 | Bit 5   | Bit 4                   | Bit 3        | Bit 2      | Bit 1       | Bit 0 |
|---------|---------|-----------|-------------------------|-------|---------|-------------------------|--------------|------------|-------------|-------|
| 000FF0  | FICD    | —         | Reserved <sup>(1)</sup> | —     | JTAGEN  | Reserved <sup>(2)</sup> | —            | —          | ICS<1:0>    |       |
| 000FF4  | FWDT    | —         | FWDTEN                  | —     | PLLKEN  | WDTPRE                  | WDTPOST<3:0> |            |             |       |
| 000FF6  | FOSC    | —         | FCKSM<1:0>              |       | IOL1WAY | —                       | —            | OSCI0FNC   | POSCMD<1:0> |       |
| 000FF8  | FOSCSEL | —         | IESO                    | —     | —       | —                       | —            | FNOSC<2:0> |             |       |
| 000FFA  | FGS     | —         | —                       | —     | —       | —                       | —            | —          | GCP         | GWRP  |

**Legend:** — = unimplemented, read as '1'.

**Note 1:** This bit is reserved for use by development tools.

**2:** This bit is reserved; program as '0'.

**TABLE 22-2: CONFIGURATION FLASH BYTES FOR dsPIC33FJ09GS302 DEVICES**

| Address | Name    | Bits 23-8 | Bit 7                   | Bit 6 | Bit 5   | Bit 4                   | Bit 3        | Bit 2      | Bit 1       | Bit 0 |
|---------|---------|-----------|-------------------------|-------|---------|-------------------------|--------------|------------|-------------|-------|
| 0017F0  | FICD    | —         | Reserved <sup>(1)</sup> | —     | JTAGEN  | Reserved <sup>(2)</sup> | —            | —          | ICS<1:0>    |       |
| 0017F4  | FWDT    | —         | FWDTEN                  | —     | PLLKEN  | WDTPRE                  | WDTPOST<3:0> |            |             |       |
| 0017F6  | FOSC    | —         | FCKSM<1:0>              |       | IOL1WAY | —                       | —            | OSCI0FNC   | POSCMD<1:0> |       |
| 0017F8  | FOSCSEL | —         | IESO                    | —     | —       | —                       | —            | FNOSC<2:0> |             |       |
| 0017FA  | FGS     | —         | —                       | —     | —       | —                       | —            | —          | GCP         | GWRP  |

**Legend:** — = unimplemented, read as '1'.

**Note 1:** This bit is reserved for use by development tools.

**2:** This bit is reserved; program as '0'.

## REGISTER 22-1: CONSTANT CURRENT SOURCE CALIBRATION REGISTER

|        |     |     |     |     |     |     |        |
|--------|-----|-----|-----|-----|-----|-----|--------|
| U-0    | U-0 | U-0 | U-0 | U-0 | U-0 | U-0 | U-0    |
| —      | —   | —   | —   | —   | —   | —   | —      |
| bit 23 |     |     |     |     |     |     | bit 16 |

|        |     |     |     |     |     |     |       |
|--------|-----|-----|-----|-----|-----|-----|-------|
| U-0    | U-0 | U-0 | U-0 | U-0 | U-0 | U-0 | U-0   |
| —      | —   | —   | —   | —   | —   | —   | —     |
| bit 15 |     |     |     |     |     |     | bit 8 |

|       |     |             |     |     |     |     |       |
|-------|-----|-------------|-----|-----|-----|-----|-------|
| U-0   | U-0 | R-0         | R-0 | R-0 | R-0 | R-0 | R-0   |
| —     | —   | CCSCAL<5:0> |     |     |     |     | —     |
| bit 7 |     |             |     |     |     |     | bit 0 |

**Legend:**

|                   |                  |  |
|-------------------|------------------|--|
| R = Readable bit  | W = Writable bit | U = Unimplemented bit, read as '0'           |
| -n = Value at POR | '1' = Bit is set | '0' = Bit is cleared      x = Bit is unknown |

bit 23-6      **Unimplemented:** Read as '0'

bit 5-0      **CCSCAL<5:0>:** Constant Current Source Calibration bits

The value of these bits must be copied into the ISRCCAL<5:0> bits (ISRCCON<5:0>). Refer to the Current Source Control register ([Register 21-1](#)) in [Section 21.0 "Constant Current Source"](#).

# dsPIC33FJ06GS001/101A/102A/202A and dsPIC33FJ09GS302

**TABLE 22-3: dsPIC33F CONFIGURATION BITS DESCRIPTION**

| Bit Field    | Description   |
|--------------|---|
| GCP          | General Segment Code-Protect bit<br>1 = User program memory is not code-protected<br>0 = Code protection is enabled for the entire program memory space   |
| GWRP         | General Segment Write-Protect bit<br>1 = User program memory is not write-protected<br>0 = User program memory is write-protected   |
| IESO         | Two-Speed Oscillator Start-up Enable bit<br>1 = Start up device with FRC, then automatically switch to the user-selected oscillator source when ready<br>0 = Start up device with user-selected oscillator source   |
| FNOSC<2:0>   | Oscillator Selection bits<br>111 = Fast RC Oscillator with divide-by-N (FRCDIVN)<br>110 = Reserved; do not use<br>101 = Low-Power RC Oscillator (LPRC)<br>100 = Reserved; do not use<br>011 = Primary Oscillator with PLL module (MS + PLL, EC + PLL)<br>010 = Primary Oscillator (MS, HS, EC)<br>001 = Fast RC Oscillator with divide-by-N with PLL module (FRCDIVN + PLL)<br>000 = Fast RC Oscillator (FRC) |
| FCKSM<1:0>   | Clock Switching Mode bits<br>1x = Clock switching is disabled, Fail-Safe Clock Monitor is disabled<br>01 = Clock switching is enabled, Fail-Safe Clock Monitor is disabled<br>00 = Clock switching is enabled, Fail-Safe Clock Monitor is enabled   |
| IOL1WAY      | Peripheral Pin Select Configuration bit<br>1 = Allow only one reconfiguration<br>0 = Allow multiple reconfigurations  |
| OSCIOfNC     | OSC2 Pin Function bit (except in MS and HS modes)<br>1 = OSC2 is the clock output<br>0 = OSC2 is the general purpose digital I/O pin  |
| POSCMD<1:0>  | Primary Oscillator Mode Select bits<br>11 = Primary Oscillator is disabled<br>10 = HS Crystal Oscillator mode (10 MHz-32 MHz)<br>01 = MS Crystal Oscillator mode (3 MHz-10 MHz)<br>00 = EC (External Clock) mode (DC-32 MHz)  |
| FWDTEN       | Watchdog Timer Enable bit<br>1 = Watchdog Timer is always enabled (LPRC oscillator cannot be disabled; clearing the SWDTEN bit in the RCON register will have no effect)<br>0 = Watchdog Timer is enabled/disabled by user software (LPRC can be disabled by clearing the SWDTEN bit in the RCON register)  |
| WDTPRE       | Watchdog Timer Prescaler bit<br>1 = 1:128<br>0 = 1:32   |
| WDTPOST<3:0> | Watchdog Timer Postscaler bits<br>1111 = 1:32,768<br>1110 = 1:16,384<br>•<br>•<br>•<br>0001 = 1:2<br>0000 = 1:1   |

**TABLE 22-3: dsPIC33F CONFIGURATION BITS DESCRIPTION (CONTINUED)**

| Bit Field | Description   |
|-----------|---|
| PLLKEN    | PLL Lock Enable bit<br>1 = Clock switch to PLL source will wait until the PLL lock signal is valid<br>0 = Clock switch will not wait for the PLL lock signal                            |
| JTAGEN    | JTAG Enable bit<br>1 = JTAG is enabled<br>0 = JTAG is disabled  |
| ICS<1:0>  | ICD Communication Channel Select bits<br>11 = Communicate on PGEC1 and PGED1<br>10 = Communicate on PGEC2 and PGED2<br>01 = Communicate on PGEC3 and PGED3<br>00 = Reserved, do not use |

## 22.2 On-Chip Voltage Regulator

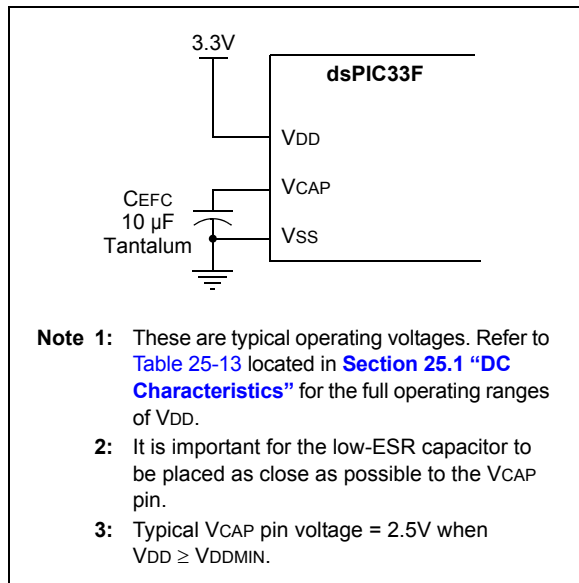
The devices power their core digital logic at a nominal 2.5V. This can create a conflict for designs that are required to operate at a higher typical voltage, such as 3.3V. To simplify system design, all devices incorporate an on-chip regulator that allows the device to run its core logic from VDD.

The regulator provides power to the core from the other VDD pins. When the regulator is enabled, a low-ESR (less than 5 ohms) capacitor (such as tantalum or ceramic) must be connected to the VCAP pin (Figure 22-1). This helps to maintain the stability of the regulator. The recommended value for the filter capacitor is provided in Table 25-13, located in Section 25.1 “DC Characteristics”.

**Note:** It is important for the low-ESR capacitor to be placed as close as possible to the VCAP pin.

On a POR, it takes approximately 20  $\mu$ s for the on-chip voltage regulator to generate an output voltage. During this time, designated as TSTARTUP, code execution is disabled. TSTARTUP is applied every time the device resumes operation after any power-down.

**FIGURE 22-1: CONNECTIONS FOR THE ON-CHIP VOLTAGE REGULATOR<sup>(1,2,3)</sup>**



## 22.3 Brown-out Reset (BOR)

The Brown-out Reset (BOR) module is based on an internal voltage reference circuit. The main purpose of the BOR module is to generate a device Reset when a brown-out condition occurs. Brown-out conditions are generally caused by glitches on the AC mains (for example, missing portions of the AC cycle waveform due to bad power transmission lines or voltage sags due to excessive current draw when a large inductive load is turned on).

A BOR generates a Reset pulse which resets the device. The BOR selects the clock source, based on the device Configuration bit values (FNOSC<2:0> and POSCMD<1:0>).

If an oscillator mode is selected, the BOR activates the Oscillator Start-up Timer (OST). The system clock is held until the OST expires. If the PLL is used, the clock is held until the LOCK bit (OSCCON<5>) is ‘1’.

Concurrently, the PWRT time-out (TPWRT) is applied before the internal Reset is released. If TPWRT = 0 and a crystal oscillator is being used, then a nominal delay of, TFSCM = 100, is applied. The total delay in this case is TFSCM.

The BOR status bit (RCON<1>) is set to indicate that a BOR has occurred. The BOR circuit continues to operate while in Sleep or Idle modes and resets the device should VDD fall below the BOR threshold voltage.



## 22.4 Watchdog Timer (WDT)

The Watchdog Timer (WDT) is driven by the LPRC oscillator. When the WDT is enabled, the clock source is also enabled.

### 22.4.1 PRESCALER/POSTSCALER

The nominal WDT clock source from LPRC is 32 kHz. This feeds a prescaler that can be configured for either 5-bit (divide-by-32) or 7-bit (divide-by-128) operation. The prescaler is set by the WDTPRE Configuration bit (FWDT<4>). With a 32 kHz input, the prescaler yields a nominal WDT time-out period (TWDT) of 1 ms in 5-bit mode or 4 ms in 7-bit mode.

A variable postscaler divides down the WDT prescaler output and allows for a wide range of time-out periods. The postscaler is controlled by the WDTPOST<3:0> Configuration bits (FWDT<3:0>), which allow the selection of 16 settings, from 1:1 to 1:32,768. Using the prescaler and postscaler, time-out periods ranging from 1 ms to 131 seconds can be achieved.

The WDT, prescaler and postscaler are reset:

- On any device Reset
- On the completion of a clock switch, whether invoked by software (i.e., setting the OSWEN bit after changing the NOSC<2:0> bits) or by hardware (i.e., Fail-Safe Clock Monitor)
- When a PWRSAV instruction is executed (i.e., Sleep or Idle mode is entered)
- When the device exits Sleep or Idle mode to resume normal operation
- By a CLRWDT instruction during normal execution

**Note:** The CLRWDT and PWRSAV instructions clear the prescaler and postscaler counts when executed.

### 22.4.2 SLEEP AND IDLE MODES

If the WDT is enabled, it will continue to run during Sleep or Idle modes. When the WDT time-out occurs, the device will wake the device and code execution will continue from where the PWRSAV instruction was executed. The corresponding SLEEP bit (RCON<3>) or IDLE bit (RCON<2>) will need to be cleared in software after the device wakes up.

### 22.4.3 ENABLING WDT

The WDT is enabled or disabled by the FWDTEN Configuration bit in the FWDT Configuration register (FWDT<7>). When the FWDTEN Configuration bit is set, the WDT is always enabled.

The WDT can be optionally controlled in software when the FWDTEN Configuration bit has been programmed to '0'. The WDT is enabled in software by setting the SWDTEN control bit (RCON<5>). The SWDTEN control bit is cleared on any device Reset. The software WDT option allows the user application to enable the WDT for critical code segments and disable the WDT during non-critical segments for maximum power savings.

The WDT flag bit, WDTO (RCON<4>), is not automatically cleared following a WDT time-out. To detect subsequent WDT events, the flag must be cleared in software.

**FIGURE 22-2: WDT BLOCK DIAGRAM**



## 22.5 JTAG Interface

A JTAG interface is implemented, which supports boundary scan device testing, as well as in-circuit programming. Detailed information on this interface will be provided in future revisions of this document.

## 22.6 In-Circuit Serial Programming

The dsPIC33FJ06GS001/101A/102A/202A and dsPIC33FJ09GS302 family of digital signal controllers can be serially programmed while in the end application circuit. This is done with two lines for clock and data, and three other lines for power, ground and the programming sequence. Serial programming allows customers to manufacture boards with unprogrammed devices and then program the digital signal controller just before shipping the product. Serial programming also allows the most recent firmware or a custom firmware to be programmed. Refer to the “dsPIC33F/PIC24H Flash Programming Specification” (DS70152) for details about In-Circuit Serial Programming (ICSP™).

Any of the three pairs of programming clock/data pins can be used:

- PGEC1 and PGED1
- PGEC2 and PGED2
- PGEC3 and PGED3

## 22.7 In-Circuit Debugger

The dsPIC33FJ06GS001/101A/102A/202A and dsPIC33FJ09GS302 devices provide simple debugging functionality through the PGECx (Emulation/Debug Clock) and PGEDx (Emulation/Debug Data) pin functions.

Any of the three pairs of debugging clock/data pins can be used:

- PGEC1 and PGED1
- PGEC2 and PGED2
- PGEC3 and PGED3

To use the in-circuit debugger function of the device, the design must implement ICSP connections to MCLR, VDD, VSS and the PGECx/PGEDx pin pair. In addition, when the feature is enabled, some of the resources are not available for general use. These resources include the first 80 bytes of data RAM and two I/O pins.

## 23.0 INSTRUCTION SET SUMMARY

**Note:** This data sheet summarizes the features of the dsPIC33FJ06GS001/101A/102A/202A and dsPIC33FJ09GS302 devices. It is not intended to be a comprehensive reference source. To complement the information in this data sheet, refer to the “dsPIC33F/PIC24H Family Reference Manual”. Please see the Microchip web site ([www.microchip.com](http://www.microchip.com)) for the latest “dsPIC33F/PIC24H Family Reference Manual” sections.

The instruction set for this family of dsPIC33F devices is identical to the instruction set for dsPIC30F devices.

Most instructions are a single program memory word (24 bits). Only three instructions require two program memory locations.

Each single-word instruction is a 24-bit word, divided into an 8-bit opcode, which specifies the instruction type and one or more operands, which further specify the operation of the instruction.

The instruction set is highly orthogonal and is grouped into five basic categories:

- Word or byte-oriented operations
- Bit-oriented operations
- Literal operations
- DSP operations
- Control operations

Table 23-1 shows the general symbols used in describing the instructions.

The dsPIC33F instruction set summary in Table 23-2 lists all the instructions, along with the status flags affected by each instruction.

Most word or byte-oriented W register instructions (including barrel shift instructions) have three operands:

- The first source operand, which is typically a register ‘Wb’ without any address modifier
- The second source operand, which is typically a register ‘Ws’ with or without an address modifier
- The destination of the result, which is typically a register ‘Wd’ with or without an address modifier

However, word or byte-oriented file register instructions have two operands:

- The file register specified by the value, ‘f’
- The destination, which could be either the file register, ‘f’, or the W0 register, which is denoted as ‘WREG’

Most bit-oriented instructions (including simple rotate/shift instructions) have two operands:

- The W register (with or without an address modifier) or file register (specified by the value of ‘Ws’ or ‘f’)
- The bit in the W register or file register (specified by a literal value or indirectly by the contents of register ‘Wb’)

The literal instructions that involve data movement can use some of the following operands:

- A literal value to be loaded into a W register or file register (specified by ‘k’)
- The W register or file register where the literal value is to be loaded (specified by ‘Wb’ or ‘f’)

However, literal instructions that involve arithmetic or logical operations use some of the following operands:

- The first source operand, which is a register ‘Wb’ without any address modifier
- The second source operand, which is a literal value
- The destination of the result (only if not the same as the first source operand), which is typically a register ‘Wd’ with or without an address modifier

The MAC class of DSP instructions can use some of the following operands:

- The accumulator (A or B) to be used (required operand)
- The W registers to be used as the two operands
- The X and Y address space prefetch operations
- The X and Y address space prefetch destinations
- The accumulator write-back destination

The other DSP instructions do not involve any multiplication and can include:

- The accumulator to be used (required)
- The source or destination operand (designated as Wso or Wdo, respectively) with or without an address modifier
- The amount of shift specified by a W register, ‘Wn’, or a literal value

The control instructions can use some of the following operands:

- A program memory address
- The mode of the table read and table write instructions

# dsPIC33FJ06GS001/101A/102A/202A and dsPIC33FJ09GS302

Most instructions are a single word. Certain double-word instructions are designed to provide all the required information in these 48 bits. In the second word, the 8 MSBs are '0's. If this second word is executed as an instruction (by itself), it will execute as a `NOB`.

The double-word instructions execute in two instruction cycles.

Most single-word instructions are executed in a single instruction cycle, unless a conditional test is true, or the Program Counter is changed as a result of the instruction. In these cases, the execution takes two instruction cycles with the additional instruction cycle(s) executed as a `NOB`. Notable exceptions are the `BRA`

(unconditional/computed branch), indirect `CALL/GOTO`, all table reads and writes and `RETURN/RETFIE` instructions, which are single-word instructions but take two or three cycles. Certain instructions that involve skipping over the subsequent instruction require either two or three cycles if the skip is performed, depending on whether the instruction being skipped is a single-word or two-word instruction. Moreover, double-word moves require two cycles.

**Note:** For more details on the instruction set, refer to the “16-Bit MCU and DSC Programmer’s Reference Manual” (DS70157).

**TABLE 23-1: SYMBOLS USED IN OPCODE DESCRIPTIONS**

| Field           | Description   |
|-----------------|---|
| #text           | Means “literal defined by text”   |
| (text)          | Means “content of text”   |
| [text]          | Means “the location addressed by text”  |
| { }             | Optional field or operation   |
| <n:m>           | Register bit field  |
| .b              | Byte mode selection   |
| .d              | Double-Word mode selection  |
| .S              | Shadow register select  |
| .w              | Word mode selection (default)   |
| Acc             | One of two accumulators {A, B}  |
| AWB             | Accumulator Write-Back Destination Address register $\in \{W13, [W13]+ = 2\}$               |
| bit4            | 4-bit bit selection field (used in word-addressed instructions) $\in \{0..15\}$             |
| C, DC, N, OV, Z | MCU Status bits: Carry, Digit Carry, Negative, Overflow, Sticky Zero                        |
| Expr            | Absolute address, label or expression (resolved by the linker)                              |
| f               | File register address $\in \{0x0000..0x1FFF\}$  |
| lit1            | 1-bit unsigned literal $\in \{0,1\}$  |
| lit4            | 4-bit unsigned literal $\in \{0..15\}$  |
| lit5            | 5-bit unsigned literal $\in \{0..31\}$  |
| lit8            | 8-bit unsigned literal $\in \{0..255\}$   |
| lit10           | 10-bit unsigned literal $\in \{0..255\}$ for Byte mode, $\{0:1023\}$ for Word mode          |
| lit14           | 14-bit unsigned literal $\in \{0..16384\}$  |
| lit16           | 16-bit unsigned literal $\in \{0..65535\}$  |
| lit23           | 23-bit unsigned literal $\in \{0..8388608\}$ ; LSb must be '0'                              |
| None            | Field does not require an entry, can be blank   |
| OA, OB, SA, SB  | DSP Status bits: ACCA Overflow, ACCB Overflow, ACCA Saturate, ACCB Saturate                 |
| PC              | Program Counter   |
| Slit10          | 10-bit signed literal $\in \{-512..511\}$   |
| Slit16          | 16-bit signed literal $\in \{-32768..32767\}$   |
| Slit6           | 6-bit signed literal $\in \{-16..16\}$  |
| Wb              | Base W register $\in \{W0..W15\}$   |
| Wd              | Destination W register $\in \{Wd, [Wd], [Wd++] , [Wd--], [++Wd], [--Wd] \}$                 |
| Wdo             | Destination W register $\in \{Wnd, [Wnd], [Wnd++] , [Wnd--], [++Wnd], [--Wnd], [Wnd+Wb] \}$ |
| Wm,Wn           | Dividend, Divisor Working register pair (Direct Addressing)                                 |

TABLE 23-1: SYMBOLS USED IN OPCODE DESCRIPTIONS (CONTINUED)

| Field | Description   |
|-------|---|
| Wm*Wm | Multiplicand and Multiplier Working register pair for Square instructions $\in$ {W4 * W4, W5 * W5, W6 * W6, W7 * W7}  |
| Wm*Wn | Multiplicand and Multiplier Working register pair for DSP instructions $\in$ {W4 * W5, W4 * W6, W4 * W7, W5 * W6, W5 * W7, W6 * W7}   |
| Wn    | One of 16 Working registers $\in$ {W0..W15}   |
| Wnd   | One of 16 Destination Working registers $\in$ {W0...W15}  |
| Wns   | One of 16 Source Working registers $\in$ {W0...W15}   |
| WREG  | W0 (Working register used in file register instructions)  |
| Ws    | Source W register $\in$ { Ws, [Ws], [Ws++], [Ws--], [++Ws], [--Ws] }  |
| Wso   | Source W register $\in$ { Wns, [Wns], [Wns++], [Wns--], [++Wns], [--Wns], [Wns+Wb] }  |
| Wx    | X Data Space Prefetch Address register for DSP instructions $\in$ {[W8] + = 6, [W8] + = 4, [W8] + = 2, [W8], [W8] - = 6, [W8] - = 4, [W8] - = 2, [W9] + = 6, [W9] + = 4, [W9] + = 2, [W9], [W9] - = 6, [W9] - = 4, [W9] - = 2, [W9 + W12], none}                |
| Wxd   | X Data Space Prefetch Destination register for DSP instructions $\in$ {W4...W7}   |
| Wy    | Y Data Space Prefetch Address register for DSP instructions $\in$ {[W10] + = 6, [W10] + = 4, [W10] + = 2, [W10], [W10] - = 6, [W10] - = 4, [W10] - = 2, [W11] + = 6, [W11] + = 4, [W11] + = 2, [W11], [W11] - = 6, [W11] - = 4, [W11] - = 2, [W11 + W12], none} |
| Wyd   | Y Data Space Prefetch Destination register for DSP instructions $\in$ {W4...W7}   |

# dsPIC33FJ06GS001/101A/102A/202A and dsPIC33FJ09GS302

**TABLE 23-2: INSTRUCTION SET OVERVIEW**

| Base Instr #       | Assembly Mnemonic | Assembly Syntax             | Description  | # of Words | # of Cycles | Status Flags Affected |
|--------------------|-------------------|-----------------------------|--|------------|-------------|-----------------------|
| 1                  | ADD               | ADD <i>Acc</i>              | Add Accumulators   | 1          | 1           | OA,OB,SA,SB           |
|                    |                   | ADD <i>f</i>                | $f = f + WREG$   | 1          | 1           | C,DC,N,OV,Z           |
|                    |                   | ADD <i>f, WREG</i>          | $WREG = f + WREG$  | 1          | 1           | C,DC,N,OV,Z           |
|                    |                   | ADD <i>#lit10, Wn</i>       | $Wd = lit10 + Wd$  | 1          | 1           | C,DC,N,OV,Z           |
|                    |                   | ADD <i>Wb, Ws, Wd</i>       | $Wd = Wb + Ws$   | 1          | 1           | C,DC,N,OV,Z           |
|                    |                   | ADD <i>Wb, #lit5, Wd</i>    | $Wd = Wb + lit5$   | 1          | 1           | C,DC,N,OV,Z           |
|                    |                   | ADD <i>Wso, #Slit4, Acc</i> | 16-bit Signed Add to Accumulator                           | 1          | 1           | OA,OB,SA,SB           |
| 2                  | ADDC              | ADDC <i>f</i>               | $f = f + WREG + (C)$                                       | 1          | 1           | C,DC,N,OV,Z           |
|                    |                   | ADDC <i>f, WREG</i>         | $WREG = f + WREG + (C)$                                    | 1          | 1           | C,DC,N,OV,Z           |
|                    |                   | ADDC <i>#lit10, Wn</i>      | $Wd = lit10 + Wd + (C)$                                    | 1          | 1           | C,DC,N,OV,Z           |
|                    |                   | ADDC <i>Wb, Ws, Wd</i>      | $Wd = Wb + Ws + (C)$                                       | 1          | 1           | C,DC,N,OV,Z           |
|                    |                   | ADDC <i>Wb, #lit5, Wd</i>   | $Wd = Wb + lit5 + (C)$                                     | 1          | 1           | C,DC,N,OV,Z           |
| 3                  | AND               | AND <i>f</i>                | $f = f .AND. WREG$   | 1          | 1           | N,Z                   |
|                    |                   | AND <i>f, WREG</i>          | $WREG = f .AND. WREG$                                      | 1          | 1           | N,Z                   |
|                    |                   | AND <i>#lit10, Wn</i>       | $Wd = lit10 .AND. Wd$                                      | 1          | 1           | N,Z                   |
|                    |                   | AND <i>Wb, Ws, Wd</i>       | $Wd = Wb .AND. Ws$   | 1          | 1           | N,Z                   |
|                    |                   | AND <i>Wb, #lit5, Wd</i>    | $Wd = Wb .AND. lit5$                                       | 1          | 1           | N,Z                   |
| 4                  | ASR               | ASR <i>f</i>                | $f = \text{Arithmetic Right Shift } f$                     | 1          | 1           | C,N,OV,Z              |
|                    |                   | ASR <i>f, WREG</i>          | $WREG = \text{Arithmetic Right Shift } f$                  | 1          | 1           | C,N,OV,Z              |
|                    |                   | ASR <i>Ws, Wd</i>           | $Wd = \text{Arithmetic Right Shift } Ws$                   | 1          | 1           | C,N,OV,Z              |
|                    |                   | ASR <i>Wb, Wns, Wnd</i>     | $Wnd = \text{Arithmetic Right Shift } Wb \text{ by } Wns$  | 1          | 1           | N,Z                   |
|                    |                   | ASR <i>Wb, #lit5, Wnd</i>   | $Wnd = \text{Arithmetic Right Shift } Wb \text{ by } lit5$ | 1          | 1           | N,Z                   |
| 5                  | BCLR              | BCLR <i>f, #bit4</i>        | Bit Clear <i>f</i>   | 1          | 1           | None                  |
|                    |                   | BCLR <i>Ws, #bit4</i>       | Bit Clear <i>Ws</i>  | 1          | 1           | None                  |
| 6                  | BRA               | BRA <i>C, Expr</i>          | Branch if Carry  | 1          | 1 (2)       | None                  |
|                    |                   | BRA <i>GE, Expr</i>         | Branch if Greater Than or Equal                            | 1          | 1 (2)       | None                  |
|                    |                   | BRA <i>GEU, Expr</i>        | Branch if Unsigned Greater Than or Equal                   | 1          | 1 (2)       | None                  |
|                    |                   | BRA <i>GT, Expr</i>         | Branch if Greater Than                                     | 1          | 1 (2)       | None                  |
|                    |                   | BRA <i>GTU, Expr</i>        | Branch if Unsigned Greater Than                            | 1          | 1 (2)       | None                  |
|                    |                   | BRA <i>LE, Expr</i>         | Branch if Less Than or Equal                               | 1          | 1 (2)       | None                  |
|                    |                   | BRA <i>LEU, Expr</i>        | Branch if Unsigned Less Than or Equal                      | 1          | 1 (2)       | None                  |
|                    |                   | BRA <i>LT, Expr</i>         | Branch if Less Than  | 1          | 1 (2)       | None                  |
|                    |                   | BRA <i>LTU, Expr</i>        | Branch if Unsigned Less Than                               | 1          | 1 (2)       | None                  |
|                    |                   | BRA <i>N, Expr</i>          | Branch if Negative   | 1          | 1 (2)       | None                  |
|                    |                   | BRA <i>NC, Expr</i>         | Branch if Not Carry  | 1          | 1 (2)       | None                  |
|                    |                   | BRA <i>NN, Expr</i>         | Branch if Not Negative                                     | 1          | 1 (2)       | None                  |
|                    |                   | BRA <i>NOV, Expr</i>        | Branch if Not Overflow                                     | 1          | 1 (2)       | None                  |
|                    |                   | BRA <i>NZ, Expr</i>         | Branch if Not Zero   | 1          | 1 (2)       | None                  |
|                    |                   | BRA <i>OA, Expr</i>         | Branch if Accumulator A Overflow                           | 1          | 1 (2)       | None                  |
|                    |                   | BRA <i>OB, Expr</i>         | Branch if Accumulator B Overflow                           | 1          | 1 (2)       | None                  |
|                    |                   | BRA <i>OV, Expr</i>         | Branch if Overflow   | 1          | 1 (2)       | None                  |
|                    |                   | BRA <i>SA, Expr</i>         | Branch if Accumulator A Saturated                          | 1          | 1 (2)       | None                  |
|                    |                   | BRA <i>SB, Expr</i>         | Branch if Accumulator B Saturated                          | 1          | 1 (2)       | None                  |
|                    |                   | BRA <i>Expr</i>             | Branch Unconditionally                                     | 1          | 2           | None                  |
| BRA <i>Z, Expr</i> | Branch if Zero    | 1                           | 1 (2)  | None       |             |                       |
| BRA <i>Wn</i>      | Computed Branch   | 1                           | 2  | None       |             |                       |
| 7                  | BSET              | BSET <i>f, #bit4</i>        | Bit Set <i>f</i>   | 1          | 1           | None                  |
|                    |                   | BSET <i>Ws, #bit4</i>       | Bit Set <i>Ws</i>  | 1          | 1           | None                  |
| 8                  | BSW               | BSW.C <i>Ws, Wb</i>         | Write C bit to $Ws < Wb >$                                 | 1          | 1           | None                  |
|                    |                   | BSW.Z <i>Ws, Wb</i>         | Write Z bit to $Ws < Wb >$                                 | 1          | 1           | None                  |
| 9                  | BTG               | BTG <i>f, #bit4</i>         | Bit Toggle <i>f</i>  | 1          | 1           | None                  |
|                    |                   | BTG <i>Ws, #bit4</i>        | Bit Toggle <i>Ws</i>                                       | 1          | 1           | None                  |

TABLE 23-2: INSTRUCTION SET OVERVIEW (CONTINUED)

| Base Instr # | Assembly Mnemonic | Assembly Syntax   | Description   | # of Words | # of Cycles   | Status Flags Affected |
|--------------|-------------------|---|---|------------|---------------|-----------------------|
| 10           | BTSC              | BTSC <i>f</i> , #bit4   | Bit Test <i>f</i> , Skip if Clear   | 1          | 1<br>(2 or 3) | None                  |
|              |                   | BTSC <i>Ws</i> , #bit4  | Bit Test <i>Ws</i> , Skip if Clear  | 1          | 1<br>(2 or 3) | None                  |
| 11           | BTSS              | BTSS <i>f</i> , #bit4   | Bit Test <i>f</i> , Skip if Set   | 1          | 1<br>(2 or 3) | None                  |
|              |                   | BTSS <i>Ws</i> , #bit4  | Bit Test <i>Ws</i> , Skip if Set  | 1          | 1<br>(2 or 3) | None                  |
| 12           | BTST              | BTST <i>f</i> , #bit4   | Bit Test <i>f</i>   | 1          | 1             | Z                     |
|              |                   | BTST.C <i>Ws</i> , #bit4  | Bit Test <i>Ws</i> to C   | 1          | 1             | C                     |
|              |                   | BTST.Z <i>Ws</i> , #bit4  | Bit Test <i>Ws</i> to Z   | 1          | 1             | Z                     |
|              |                   | BTST.C <i>Ws</i> , <i>Wb</i>  | Bit Test <i>Ws</i> < <i>Wb</i> > to C                                       | 1          | 1             | C                     |
|              |                   | BTST.Z <i>Ws</i> , <i>Wb</i>  | Bit Test <i>Ws</i> < <i>Wb</i> > to Z                                       | 1          | 1             | Z                     |
| 13           | BTSTS             | BTSTS <i>f</i> , #bit4  | Bit Test then Set <i>f</i>  | 1          | 1             | Z                     |
|              |                   | BTSTS.C <i>Ws</i> , #bit4   | Bit Test <i>Ws</i> to C, then Set   | 1          | 1             | C                     |
|              |                   | BTSTS.Z <i>Ws</i> , #bit4   | Bit Test <i>Ws</i> to Z, then Set   | 1          | 1             | Z                     |
| 14           | CALL              | CALL <i>lit</i> 23  | Call Subroutine   | 2          | 2             | None                  |
|              |                   | CALL <i>Wn</i>  | Call Indirect Subroutine  | 1          | 2             | None                  |
| 15           | CLR               | CLR <i>f</i>  | <i>f</i> = 0x0000   | 1          | 1             | None                  |
|              |                   | CLR WREG  | WREG = 0x0000   | 1          | 1             | None                  |
|              |                   | CLR <i>Ws</i>   | <i>Ws</i> = 0x0000  | 1          | 1             | None                  |
|              |                   | CLR <i>Acc</i> , <i>Wx</i> , <i>Wxd</i> , <i>Wy</i> , <i>Wyd</i> , <i>AWB</i> | Clear Accumulator   | 1          | 1             | OA,OB,SA,SB           |
| 16           | CLRWDT            | CLRWDT  | Clear Watchdog Timer  | 1          | 1             | WDTO,Sleep            |
| 17           | COM               | COM <i>f</i>  | <i>f</i> = $\bar{f}$  | 1          | 1             | N,Z                   |
|              |                   | COM <i>f</i> , WREG   | WREG = $\bar{f}$  | 1          | 1             | N,Z                   |
|              |                   | COM <i>Ws</i> , <i>Wd</i>   | <i>Wd</i> = $\bar{Ws}$  | 1          | 1             | N,Z                   |
| 18           | CP                | CP <i>f</i>   | Compare <i>f</i> with WREG  | 1          | 1             | C,DC,N,OV,Z           |
|              |                   | CP <i>Wb</i> , #lit5  | Compare <i>Wb</i> with lit5   | 1          | 1             | C,DC,N,OV,Z           |
|              |                   | CP <i>Wb</i> , <i>Ws</i>  | Compare <i>Wb</i> with <i>Ws</i> ( <i>Wb</i> – <i>Ws</i> )                  | 1          | 1             | C,DC,N,OV,Z           |
| 19           | CP0               | CP0 <i>f</i>  | Compare <i>f</i> with 0x0000  | 1          | 1             | C,DC,N,OV,Z           |
|              |                   | CP0 <i>Ws</i>   | Compare <i>Ws</i> with 0x0000   | 1          | 1             | C,DC,N,OV,Z           |
| 20           | CPB               | CPB <i>f</i>  | Compare <i>f</i> with WREG, with Borrow                                     | 1          | 1             | C,DC,N,OV,Z           |
|              |                   | CPB <i>Wb</i> , #lit5   | Compare <i>Wb</i> with lit5, with Borrow                                    | 1          | 1             | C,DC,N,OV,Z           |
|              |                   | CPB <i>Wb</i> , <i>Ws</i>   | Compare <i>Wb</i> with <i>Ws</i> , with Borrow ( <i>Wb</i> – <i>Ws</i> – C) | 1          | 1             | C,DC,N,OV,Z           |
| 21           | CPSEQ             | CPSEQ <i>Wb</i> , <i>Wn</i>   | Compare <i>Wb</i> with <i>Wn</i> , Skip if =                                | 1          | 1<br>(2 or 3) | None                  |
| 22           | CPSGT             | CPSGT <i>Wb</i> , <i>Wn</i>   | Compare <i>Wb</i> with <i>Wn</i> , Skip if >                                | 1          | 1<br>(2 or 3) | None                  |
| 23           | CPSLT             | CPSLT <i>Wb</i> , <i>Wn</i>   | Compare <i>Wb</i> with <i>Wn</i> , Skip if <                                | 1          | 1<br>(2 or 3) | None                  |
| 24           | CPSNE             | CPSNE <i>Wb</i> , <i>Wn</i>   | Compare <i>Wb</i> with <i>Wn</i> , Skip if ≠                                | 1          | 1<br>(2 or 3) | None                  |
| 25           | DAW               | DAW <i>Wn</i>   | <i>Wn</i> = Decimal Adjust <i>Wn</i>  | 1          | 1             | C                     |
| 26           | DEC               | DEC <i>f</i>  | <i>f</i> = <i>f</i> – 1   | 1          | 1             | C,DC,N,OV,Z           |
|              |                   | DEC <i>f</i> , WREG   | WREG = <i>f</i> – 1   | 1          | 1             | C,DC,N,OV,Z           |
|              |                   | DEC <i>Ws</i> , <i>Wd</i>   | <i>Wd</i> = <i>Ws</i> – 1   | 1          | 1             | C,DC,N,OV,Z           |
| 27           | DEC2              | DEC2 <i>f</i>   | <i>f</i> = <i>f</i> – 2   | 1          | 1             | C,DC,N,OV,Z           |
|              |                   | DEC2 <i>f</i> , WREG  | WREG = <i>f</i> – 2   | 1          | 1             | C,DC,N,OV,Z           |
|              |                   | DEC2 <i>Ws</i> , <i>Wd</i>  | <i>Wd</i> = <i>Ws</i> – 2   | 1          | 1             | C,DC,N,OV,Z           |
| 28           | DISI              | DISI #lit14   | Disable Interrupts for <i>k</i> Instruction Cycles                          | 1          | 1             | None                  |

# dsPIC33FJ06GS001/101A/102A/202A and dsPIC33FJ09GS302

**TABLE 23-2: INSTRUCTION SET OVERVIEW (CONTINUED)**

| Base Instr #  | Assembly Mnemonic                      | Assembly Syntax                       | Description                            | # of Words | # of Cycles | Status Flags Affected |
|---------------|--|---------------------------------------|--|------------|-------------|-----------------------|
| 29            | DIV                                    | DIV.S Wm, Wn                          | Signed 16/16-bit Integer Divide        | 1          | 18          | N,Z,C,OV              |
|               |  | DIV.SD Wm, Wn                         | Signed 32/16-bit Integer Divide        | 1          | 18          | N,Z,C,OV              |
|               |  | DIV.U Wm, Wn                          | Unsigned 16/16-bit Integer Divide      | 1          | 18          | N,Z,C,OV              |
|               |  | DIV.UD Wm, Wn                         | Unsigned 32/16-bit Integer Divide      | 1          | 18          | N,Z,C,OV              |
| 30            | DIVF                                   | DIVF Wm, Wn                           | Signed 16/16-bit Fractional Divide     | 1          | 18          | N,Z,C,OV              |
| 31            | DO                                     | DO #lit14, Expr                       | Do code to PC + Expr, lit14 + 1 times  | 2          | 2           | None                  |
|               |  | DO Wn, Expr                           | Do code to PC + Expr, (Wn) + 1 times   | 2          | 2           | None                  |
| 32            | ED                                     | ED Wm*Wm, Acc, Wx, Wy, Wxd            | Euclidean Distance (no accumulate)     | 1          | 1           | OA,OB,OAB,SA,SB,SAB   |
| 33            | EDAC                                   | EDAC Wm*Wm, Acc, Wx, Wy, Wxd          | Euclidean Distance                     | 1          | 1           | OA,OB,OAB,SA,SB,SAB   |
| 34            | EXCH                                   | EXCH Wns, Wnd                         | Swap Wns with Wnd                      | 1          | 1           | None                  |
| 35            | FBCL                                   | FBCL Ws, Wnd                          | Find Bit Change from Left (MSb) Side   | 1          | 1           | C                     |
| 36            | FF1L                                   | FF1L Ws, Wnd                          | Find First One from Left (MSb) Side    | 1          | 1           | C                     |
| 37            | FF1R                                   | FF1R Ws, Wnd                          | Find First One from Right (LSb) Side   | 1          | 1           | C                     |
| 38            | GOTO                                   | GOTO Expr                             | Go to Address                          | 2          | 2           | None                  |
|               |  | GOTO Wn                               | Go to Indirect                         | 1          | 2           | None                  |
| 39            | INC                                    | INC f                                 | f = f + 1                              | 1          | 1           | C,DC,N,OV,Z           |
|               |  | INC f, WREG                           | WREG = f + 1                           | 1          | 1           | C,DC,N,OV,Z           |
|               |  | INC Ws, Wd                            | Wd = Ws + 1                            | 1          | 1           | C,DC,N,OV,Z           |
| 40            | INC2                                   | INC2 f                                | f = f + 2                              | 1          | 1           | C,DC,N,OV,Z           |
|               |  | INC2 f, WREG                          | WREG = f + 2                           | 1          | 1           | C,DC,N,OV,Z           |
|               |  | INC2 Ws, Wd                           | Wd = Ws + 2                            | 1          | 1           | C,DC,N,OV,Z           |
| 41            | IOR                                    | IOR f                                 | f = f .IOR. WREG                       | 1          | 1           | N,Z                   |
|               |  | IOR f, WREG                           | WREG = f .IOR. WREG                    | 1          | 1           | N,Z                   |
|               |  | IOR #lit10, Wn                        | Wd = lit10 .IOR. Wd                    | 1          | 1           | N,Z                   |
|               |  | IOR Wb, Ws, Wd                        | Wd = Wb .IOR. Ws                       | 1          | 1           | N,Z                   |
|               |  | IOR Wb, #lit5, Wd                     | Wd = Wb .IOR. lit5                     | 1          | 1           | N,Z                   |
| 42            | LAC                                    | LAC Wso, #Slit4, Acc                  | Load Accumulator                       | 1          | 1           | OA,OB,OAB,SA,SB,SAB   |
| 43            | LNK                                    | LNK #lit14                            | Link Frame Pointer                     | 1          | 1           | None                  |
| 44            | LSR                                    | LSR f                                 | f = Logical Right Shift f              | 1          | 1           | C,N,OV,Z              |
|               |  | LSR f, WREG                           | WREG = Logical Right Shift f           | 1          | 1           | C,N,OV,Z              |
|               |  | LSR Ws, Wd                            | Wd = Logical Right Shift Ws            | 1          | 1           | C,N,OV,Z              |
|               |  | LSR Wb, Wns, Wnd                      | Wnd = Logical Right Shift Wb by Wns    | 1          | 1           | N,Z                   |
|               |  | LSR Wb, #lit5, Wnd                    | Wnd = Logical Right Shift Wb by lit5   | 1          | 1           | N,Z                   |
| 45            | MAC                                    | MAC Wm*Wn, Acc, Wx, Wxd, Wy, Wyd, AWB | Multiply and Accumulate                | 1          | 1           | OA,OB,OAB,SA,SB,SAB   |
|               |  | MAC Wm*Wm, Acc, Wx, Wxd, Wy, Wyd      | Square and Accumulate                  | 1          | 1           | OA,OB,OAB,SA,SB,SAB   |
| 46            | MOV                                    | MOV f, Wn                             | Move f to Wn                           | 1          | 1           | None                  |
|               |  | MOV f                                 | Move f to f                            | 1          | 1           | N,Z                   |
|               |  | MOV f, WREG                           | Move f to WREG                         | 1          | 1           | None                  |
|               |  | MOV #lit16, Wn                        | Move 16-bit Literal to Wn              | 1          | 1           | None                  |
|               |  | MOV.b #lit8, Wn                       | Move 8-bit Literal to Wn               | 1          | 1           | None                  |
|               |  | MOV Wn, f                             | Move Wn to f                           | 1          | 1           | None                  |
|               |  | MOV Wso, Wdo                          | Move Ws to Wd                          | 1          | 1           | None                  |
|               |  | MOV WREG, f                           | Move WREG to f                         | 1          | 1           | None                  |
|               |  | MOV.D Wns, Wd                         | Move Double from W(ns):W(ns + 1) to Wd | 1          | 2           | None                  |
| MOV.D Ws, Wnd | Move Double from Ws to W(nd + 1):W(nd) | 1                                     | 2                                      | None       |             |                       |
| 47            | MOVSAC                                 | MOVSAC Acc, Wx, Wxd, Wy, Wyd, AWB     | Prefetch and Store Accumulator         | 1          | 1           | None                  |



TABLE 23-2: INSTRUCTION SET OVERVIEW (CONTINUED)

| Base Instr # | Assembly Mnemonic | Assembly Syntax                              | Description                                    | # of Words | # of Cycles | Status Flags Affected |
|--------------|-------------------|--|--|------------|-------------|-----------------------|
| 48           | MPY               | MPY<br>Wm*Wn, Acc, Wx, Wxd, Wy, Wyd          | Multiply Wm by Wn to Accumulator               | 1          | 1           | OA,OB,OAB, SA,SB,SAB  |
|              |                   | MPY<br>Wm*Wm, Acc, Wx, Wxd, Wy, Wyd          | Square Wm to Accumulator                       | 1          | 1           | OA,OB,OAB, SA,SB,SAB  |
| 49           | MPY.N             | MPY.N<br>Wm*Wn, Acc, Wx, Wxd, Wy, Wyd        | -(Multiply Wm by Wn) to Accumulator            | 1          | 1           | None                  |
| 50           | MSC               | MSC<br>Wm*Wm, Acc, Wx, Wxd, Wy, Wyd<br>, AWB | Multiply and Subtract from Accumulator         | 1          | 1           | OA,OB,OAB, SA,SB,SAB  |
| 51           | MUL               | MUL.SS Wb, Ws, Wnd                           | {Wnd + 1, Wnd} = signed(Wb) * signed(Ws)       | 1          | 1           | None                  |
|              |                   | MUL.SU Wb, Ws, Wnd                           | {Wnd + 1, Wnd} = signed(Wb) * unsigned(Ws)     | 1          | 1           | None                  |
|              |                   | MUL.US Wb, Ws, Wnd                           | {Wnd + 1, Wnd} = unsigned(Wb) * signed(Ws)     | 1          | 1           | None                  |
|              |                   | MUL.UU Wb, Ws, Wnd                           | {Wnd + 1, Wnd} = unsigned(Wb) * unsigned(Ws)   | 1          | 1           | None                  |
|              |                   | MUL.SU Wb, #lit5, Wnd                        | {Wnd + 1, Wnd} = signed(Wb) * unsigned(lit5)   | 1          | 1           | None                  |
|              |                   | MUL.UU Wb, #lit5, Wnd                        | {Wnd + 1, Wnd} = unsigned(Wb) * unsigned(lit5) | 1          | 1           | None                  |
|              |                   | MUL f  | W3:W2 = f * WREG                               | 1          | 1           | None                  |
| 52           | NEG               | NEG Acc                                      | Negate Accumulator                             | 1          | 1           | OA,OB,OAB, SA,SB,SAB  |
|              |                   | NEG f  | $f = \bar{f} + 1$                              | 1          | 1           | C,DC,N,OV,Z           |
|              |                   | NEG f, WREG                                  | WREG = $\bar{f} + 1$                           | 1          | 1           | C,DC,N,OV,Z           |
|              |                   | NEG Ws, Wd                                   | $Wd = \overline{Ws} + 1$                       | 1          | 1           | C,DC,N,OV,Z           |
| 53           | NOP               | NOP  | No Operation                                   | 1          | 1           | None                  |
|              |                   | NOPR   | No Operation                                   | 1          | 1           | None                  |
| 54           | POP               | POP f  | Pop f from Top-of-Stack (TOS)                  | 1          | 1           | None                  |
|              |                   | POP Wdo                                      | Pop from Top-of-Stack (TOS) to Wdo             | 1          | 1           | None                  |
|              |                   | POP.D Wnd                                    | Pop from Top-of-Stack (TOS) to W(nd):W(nd + 1) | 1          | 2           | None                  |
|              |                   | POP.S  | Pop Shadow Registers                           | 1          | 1           | All                   |
| 55           | PUSH              | PUSH f                                       | Push f to Top-of-Stack (TOS)                   | 1          | 1           | None                  |
|              |                   | PUSH Wso                                     | Push Wso to Top-of-Stack (TOS)                 | 1          | 1           | None                  |
|              |                   | PUSH.D Wns                                   | Push W(ns):W(ns + 1) to Top-of-Stack (TOS)     | 1          | 2           | None                  |
|              |                   | PUSH.S                                       | Push Shadow Registers                          | 1          | 1           | None                  |
| 56           | PWRSVAV           | PWRSVAV #lit1                                | Go into Sleep or Idle mode                     | 1          | 1           | WDTO,Sleep            |
| 57           | RCALL             | RCALL Expr                                   | Relative Call                                  | 1          | 2           | None                  |
|              |                   | RCALL Wn                                     | Computed Call                                  | 1          | 2           | None                  |
| 58           | REPEAT            | REPEAT #lit14                                | Repeat Next Instruction lit14 + 1 times        | 1          | 1           | None                  |
|              |                   | REPEAT Wn                                    | Repeat Next Instruction (Wn) + 1 times         | 1          | 1           | None                  |
| 59           | RESET             | RESET  | Software Device Reset                          | 1          | 1           | None                  |
| 60           | RETFIE            | RETFIE                                       | Return from interrupt                          | 1          | 3 (2)       | None                  |
| 61           | RETLW             | RETLW #lit10, Wn                             | Return with Literal in Wn                      | 1          | 3 (2)       | None                  |
| 62           | RETURN            | RETURN                                       | Return from Subroutine                         | 1          | 3 (2)       | None                  |
| 63           | RLC               | RLC f  | f = Rotate Left through Carry f                | 1          | 1           | C,N,Z                 |
|              |                   | RLC f, WREG                                  | WREG = Rotate Left through Carry f             | 1          | 1           | C,N,Z                 |
|              |                   | RLC Ws, Wd                                   | Wd = Rotate Left through Carry Ws              | 1          | 1           | C,N,Z                 |
| 64           | RLNC              | RLNC f                                       | f = Rotate Left (No Carry) f                   | 1          | 1           | N,Z                   |
|              |                   | RLNC f, WREG                                 | WREG = Rotate Left (No Carry) f                | 1          | 1           | N,Z                   |
|              |                   | RLNC Ws, Wd                                  | Wd = Rotate Left (No Carry) Ws                 | 1          | 1           | N,Z                   |
| 65           | RRC               | RRC f  | f = Rotate Right through Carry f               | 1          | 1           | C,N,Z                 |
|              |                   | RRC f, WREG                                  | WREG = Rotate Right through Carry f            | 1          | 1           | C,N,Z                 |
|              |                   | RRC Ws, Wd                                   | Wd = Rotate Right through Carry Ws             | 1          | 1           | C,N,Z                 |

# dsPIC33FJ06GS001/101A/102A/202A and dsPIC33FJ09GS302

**TABLE 23-2: INSTRUCTION SET OVERVIEW (CONTINUED)**

| Base Instr # | Assembly Mnemonic | Assembly Syntax                                | Description  | # of Words | # of Cycles | Status Flags Affected |
|--------------|-------------------|--|--|------------|-------------|-----------------------|
| 66           | RRNC              | RRNC <i>f</i>                                  | <i>f</i> = Rotate Right (No Carry) <i>f</i>          | 1          | 1           | N,Z                   |
|              |                   | RRNC <i>f</i> , WREG                           | WREG = Rotate Right (No Carry) <i>f</i>              | 1          | 1           | N,Z                   |
|              |                   | RRNC <i>Ws</i> , <i>Wd</i>                     | <i>Wd</i> = Rotate Right (No Carry) <i>Ws</i>        | 1          | 1           | N,Z                   |
| 67           | SAC               | SAC <i>Acc</i> , # <i>Slit4</i> , <i>Wdo</i>   | Store Accumulator                                    | 1          | 1           | None                  |
|              |                   | SAC.R <i>Acc</i> , # <i>Slit4</i> , <i>Wdo</i> | Store Rounded Accumulator                            | 1          | 1           | None                  |
| 68           | SE                | SE <i>Ws</i> , <i>Wnd</i>                      | <i>Wnd</i> = Sign-Extended <i>Ws</i>                 | 1          | 1           | C,N,Z                 |
| 69           | SETM              | SETM <i>f</i>                                  | <i>f</i> = 0xFFFF                                    | 1          | 1           | None                  |
|              |                   | SETM WREG                                      | WREG = 0xFFFF  | 1          | 1           | None                  |
|              |                   | SETM <i>Ws</i>                                 | <i>Ws</i> = 0xFFFF                                   | 1          | 1           | None                  |
| 70           | SFTAC             | SFTAC <i>Acc</i> , <i>Wn</i>                   | Arithmetic Shift Accumulator by ( <i>Wn</i> )        | 1          | 1           | OA,OB,OAB,SA,SB,SAB   |
|              |                   | SFTAC <i>Acc</i> , # <i>Slit6</i>              | Arithmetic Shift Accumulator by <i>Slit6</i>         | 1          | 1           | OA,OB,OAB,SA,SB,SAB   |
| 71           | SL                | SL <i>f</i>                                    | <i>f</i> = Left Shift <i>f</i>                       | 1          | 1           | C,N,OV,Z              |
|              |                   | SL <i>f</i> , WREG                             | WREG = Left Shift <i>f</i>                           | 1          | 1           | C,N,OV,Z              |
|              |                   | SL <i>Ws</i> , <i>Wd</i>                       | <i>Wd</i> = Left Shift <i>Ws</i>                     | 1          | 1           | C,N,OV,Z              |
|              |                   | SL <i>Wb</i> , <i>Wns</i> , <i>Wnd</i>         | <i>Wnd</i> = Left Shift <i>Wb</i> by <i>Wns</i>      | 1          | 1           | N,Z                   |
|              |                   | SL <i>Wb</i> , # <i>lit5</i> , <i>Wnd</i>      | <i>Wnd</i> = Left Shift <i>Wb</i> by <i>lit5</i>     | 1          | 1           | N,Z                   |
| 72           | SUB               | SUB <i>Acc</i>                                 | Subtract Accumulators                                | 1          | 1           | OA,OB,OAB,SA,SB,SAB   |
|              |                   | SUB <i>f</i>                                   | <i>f</i> = <i>f</i> – WREG                           | 1          | 1           | C,DC,N,OV,Z           |
|              |                   | SUB <i>f</i> , WREG                            | WREG = <i>f</i> – WREG                               | 1          | 1           | C,DC,N,OV,Z           |
|              |                   | SUB # <i>lit10</i> , <i>Wn</i>                 | <i>Wn</i> = <i>Wn</i> – <i>lit10</i>                 | 1          | 1           | C,DC,N,OV,Z           |
|              |                   | SUB <i>Wb</i> , <i>Ws</i> , <i>Wd</i>          | <i>Wd</i> = <i>Wb</i> – <i>Ws</i>                    | 1          | 1           | C,DC,N,OV,Z           |
|              |                   | SUB <i>Wb</i> , # <i>lit5</i> , <i>Wd</i>      | <i>Wd</i> = <i>Wb</i> – <i>lit5</i>                  | 1          | 1           | C,DC,N,OV,Z           |
| 73           | SUBB              | SUBB <i>f</i>                                  | <i>f</i> = <i>f</i> – WREG – ( $\bar{C}$ )           | 1          | 1           | C,DC,N,OV,Z           |
|              |                   | SUBB <i>f</i> , WREG                           | WREG = <i>f</i> – WREG – ( $\bar{C}$ )               | 1          | 1           | C,DC,N,OV,Z           |
|              |                   | SUBB # <i>lit10</i> , <i>Wn</i>                | <i>Wn</i> = <i>Wn</i> – <i>lit10</i> – ( $\bar{C}$ ) | 1          | 1           | C,DC,N,OV,Z           |
|              |                   | SUBB <i>Wb</i> , <i>Ws</i> , <i>Wd</i>         | <i>Wd</i> = <i>Wb</i> – <i>Ws</i> – ( $\bar{C}$ )    | 1          | 1           | C,DC,N,OV,Z           |
|              |                   | SUBB <i>Wb</i> , # <i>lit5</i> , <i>Wd</i>     | <i>Wd</i> = <i>Wb</i> – <i>lit5</i> – ( $\bar{C}$ )  | 1          | 1           | C,DC,N,OV,Z           |
| 74           | SUBR              | SUBR <i>f</i>                                  | <i>f</i> = WREG – <i>f</i>                           | 1          | 1           | C,DC,N,OV,Z           |
|              |                   | SUBR <i>f</i> , WREG                           | WREG = WREG – <i>f</i>                               | 1          | 1           | C,DC,N,OV,Z           |
|              |                   | SUBR <i>Wb</i> , <i>Ws</i> , <i>Wd</i>         | <i>Wd</i> = <i>Ws</i> – <i>Wb</i>                    | 1          | 1           | C,DC,N,OV,Z           |
|              |                   | SUBR <i>Wb</i> , # <i>lit5</i> , <i>Wd</i>     | <i>Wd</i> = <i>lit5</i> – <i>Wb</i>                  | 1          | 1           | C,DC,N,OV,Z           |
| 75           | SUBBR             | SUBBR <i>f</i>                                 | <i>f</i> = WREG – <i>f</i> – ( $\bar{C}$ )           | 1          | 1           | C,DC,N,OV,Z           |
|              |                   | SUBBR <i>f</i> , WREG                          | WREG = WREG – <i>f</i> – ( $\bar{C}$ )               | 1          | 1           | C,DC,N,OV,Z           |
|              |                   | SUBBR <i>Wb</i> , <i>Ws</i> , <i>Wd</i>        | <i>Wd</i> = <i>Ws</i> – <i>Wb</i> – ( $\bar{C}$ )    | 1          | 1           | C,DC,N,OV,Z           |
|              |                   | SUBBR <i>Wb</i> , # <i>lit5</i> , <i>Wd</i>    | <i>Wd</i> = <i>lit5</i> – <i>Wb</i> – ( $\bar{C}$ )  | 1          | 1           | C,DC,N,OV,Z           |
| 76           | SWAP              | SWAP.b <i>Wn</i>                               | <i>Wn</i> = Nibble Swap <i>Wn</i>                    | 1          | 1           | None                  |
|              |                   | SWAP <i>Wn</i>                                 | <i>Wn</i> = Byte Swap <i>Wn</i>                      | 1          | 1           | None                  |
| 77           | TBLRDH            | TBLRDH <i>Ws</i> , <i>Wd</i>                   | Read Prog<23:16> to <i>Wd</i> <7:0>                  | 1          | 2           | None                  |
| 78           | TBLRDL            | TBLRDL <i>Ws</i> , <i>Wd</i>                   | Read Prog<15:0> to <i>Wd</i>                         | 1          | 2           | None                  |
| 79           | TBLWTH            | TBLWTH <i>Ws</i> , <i>Wd</i>                   | Write <i>Ws</i> <7:0> to Prog<23:16>                 | 1          | 2           | None                  |
| 80           | TBLWTL            | TBLWTL <i>Ws</i> , <i>Wd</i>                   | Write <i>Ws</i> to Prog<15:0>                        | 1          | 2           | None                  |
| 81           | ULNK              | ULNK   | Unlink Frame Pointer                                 | 1          | 1           | None                  |
| 82           | XOR               | XOR <i>f</i>                                   | <i>f</i> = <i>f</i> .XOR. WREG                       | 1          | 1           | N,Z                   |
|              |                   | XOR <i>f</i> , WREG                            | WREG = <i>f</i> .XOR. WREG                           | 1          | 1           | N,Z                   |
|              |                   | XOR # <i>lit10</i> , <i>Wn</i>                 | <i>Wd</i> = <i>lit10</i> .XOR. <i>Wd</i>             | 1          | 1           | N,Z                   |
|              |                   | XOR <i>Wb</i> , <i>Ws</i> , <i>Wd</i>          | <i>Wd</i> = <i>Wb</i> .XOR. <i>Ws</i>                | 1          | 1           | N,Z                   |
|              |                   | XOR <i>Wb</i> , # <i>lit5</i> , <i>Wd</i>      | <i>Wd</i> = <i>Wb</i> .XOR. <i>lit5</i>              | 1          | 1           | N,Z                   |
| 83           | ZE                | ZE <i>Ws</i> , <i>Wnd</i>                      | <i>Wnd</i> = Zero-Extend <i>Ws</i>                   | 1          | 1           | C,Z,N                 |

## 24.0 DEVELOPMENT SUPPORT

The PIC® microcontrollers and dsPIC® digital signal controllers are supported with a full range of software and hardware development tools:

- Integrated Development Environment
  - MPLAB® IDE Software
- Compilers/Assemblers/Linkers
  - MPLAB C Compiler for Various Device Families
  - HI-TECH C® for Various Device Families
  - MPASM™ Assembler
  - MPLINK™ Object Linker/  
MPLIB™ Object Librarian
  - MPLAB Assembler/Linker/Librarian for Various Device Families
- Simulators
  - MPLAB SIM Software Simulator
- Emulators
  - MPLAB REAL ICE™ In-Circuit Emulator
- In-Circuit Debuggers
  - MPLAB ICD 3
  - PICKit™ 3 Debug Express
- Device Programmers
  - PICKit™ 2 Programmer
  - MPLAB PM3 Device Programmer
- Low-Cost Demonstration/Development Boards, Evaluation Kits, and Starter Kits

## 24.1 MPLAB Integrated Development Environment Software

The MPLAB IDE software brings an ease of software development previously unseen in the 8/16/32-bit microcontroller market. The MPLAB IDE is a Windows® operating system-based application that contains:

- A single graphical interface to all debugging tools
  - Simulator
  - Programmer (sold separately)
  - In-Circuit Emulator (sold separately)
  - In-Circuit Debugger (sold separately)
- A full-featured editor with color-coded context
- A multiple project manager
- Customizable data windows with direct edit of contents
- High-level source code debugging
- Mouse over variable inspection
- Drag and drop variables from source to watch windows
- Extensive on-line help
- Integration of select third party tools, such as IAR C Compilers

The MPLAB IDE allows you to:

- Edit your source files (either C or assembly)
- One-touch compile or assemble, and download to emulator and simulator tools (automatically updates all project information)
- Debug using:
  - Source files (C or assembly)
  - Mixed C and assembly
  - Machine code

MPLAB IDE supports multiple debugging tools in a single development paradigm, from the cost-effective simulators, through low-cost in-circuit debuggers, to full-featured emulators. This eliminates the learning curve when upgrading to tools with increased flexibility and power.

## 24.2 MPLAB C Compilers for Various Device Families

The MPLAB C Compiler code development systems are complete ANSI C compilers for Microchip's PIC18, PIC24 and PIC32 families of microcontrollers and the dsPIC30 and dsPIC33 families of digital signal controllers. These compilers provide powerful integration capabilities, superior code optimization and ease of use.

For easy source level debugging, the compilers provide symbol information that is optimized to the MPLAB IDE debugger.

## 24.3 HI-TECH C for Various Device Families

The HI-TECH C Compiler code development systems are complete ANSI C compilers for Microchip's PIC family of microcontrollers and the dsPIC family of digital signal controllers. These compilers provide powerful integration capabilities, omniscient code generation and ease of use.

For easy source level debugging, the compilers provide symbol information that is optimized to the MPLAB IDE debugger.

The compilers include a macro assembler, linker, pre-processor, and one-step driver, and can run on multiple platforms.

## 24.4 MPASM Assembler

The MPASM Assembler is a full-featured, universal macro assembler for PIC10/12/16/18 MCUs.

The MPASM Assembler generates relocatable object files for the MPLINK Object Linker, Intel® standard HEX files, MAP files to detail memory usage and symbol reference, absolute LST files that contain source lines and generated machine code and COFF files for debugging.

The MPASM Assembler features include:

- Integration into MPLAB IDE projects
- User-defined macros to streamline assembly code
- Conditional assembly for multipurpose source files
- Directives that allow complete control over the assembly process

## 24.5 MPLINK Object Linker/ MPLIB Object Librarian

The MPLINK Object Linker combines relocatable objects created by the MPASM Assembler and the MPLAB C18 C Compiler. It can link relocatable objects from precompiled libraries, using directives from a linker script.

The MPLIB Object Librarian manages the creation and modification of library files of precompiled code. When a routine from a library is called from a source file, only the modules that contain that routine will be linked in with the application. This allows large libraries to be used efficiently in many different applications.

The object linker/library features include:

- Efficient linking of single libraries instead of many smaller files
- Enhanced code maintainability by grouping related modules together
- Flexible creation of libraries with easy module listing, replacement, deletion and extraction

## 24.6 MPLAB Assembler, Linker and Librarian for Various Device Families

MPLAB Assembler produces relocatable machine code from symbolic assembly language for PIC24, PIC32 and dsPIC devices. MPLAB C Compiler uses the assembler to produce its object file. The assembler generates relocatable object files that can then be archived or linked with other relocatable object files and archives to create an executable file. Notable features of the assembler include:

- Support for the entire device instruction set
- Support for fixed-point and floating-point data
- Command line interface
- Rich directive set
- Flexible macro language
- MPLAB IDE compatibility

## 24.7 MPLAB SIM Software Simulator

The MPLAB SIM Software Simulator allows code development in a PC-hosted environment by simulating the PIC MCUs and dsPIC® DSCs on an instruction level. On any given instruction, the data areas can be examined or modified and stimuli can be applied from a comprehensive stimulus controller. Registers can be logged to files for further run-time analysis. The trace buffer and logic analyzer display extend the power of the simulator to record and track program execution, actions on I/O, most peripherals and internal registers.

The MPLAB SIM Software Simulator fully supports symbolic debugging using the MPLAB C Compilers, and the MPASM and MPLAB Assemblers. The software simulator offers the flexibility to develop and debug code outside of the hardware laboratory environment, making it an excellent, economical software development tool.

## 24.8 MPLAB REAL ICE In-Circuit Emulator System

MPLAB REAL ICE In-Circuit Emulator System is Microchip's next generation high-speed emulator for Microchip Flash DSC and MCU devices. It debugs and programs PIC® Flash MCUs and dsPIC® Flash DSCs with the easy-to-use, powerful graphical user interface of the MPLAB Integrated Development Environment (IDE), included with each kit.

The emulator is connected to the design engineer's PC using a high-speed USB 2.0 interface and is connected to the target with either a connector compatible with in-circuit debugger systems (RJ11) or with the new high-speed, noise tolerant, Low-Voltage Differential Signal (LVDS) interconnection (CAT5).

The emulator is field upgradable through future firmware downloads in MPLAB IDE. In upcoming releases of MPLAB IDE, new devices will be supported, and new features will be added. MPLAB REAL ICE offers significant advantages over competitive emulators including low-cost, full-speed emulation, run-time variable watches, trace analysis, complex breakpoints, a ruggedized probe interface and long (up to three meters) interconnection cables.

## 24.9 MPLAB ICD 3 In-Circuit Debugger System

MPLAB ICD 3 In-Circuit Debugger System is Microchip's most cost effective high-speed hardware debugger/programmer for Microchip Flash Digital Signal Controller (DSC) and microcontroller (MCU) devices. It debugs and programs PIC® Flash microcontrollers and dsPIC® DSCs with the powerful, yet easy-to-use graphical user interface of MPLAB Integrated Development Environment (IDE).

The MPLAB ICD 3 In-Circuit Debugger probe is connected to the design engineer's PC using a high-speed USB 2.0 interface and is connected to the target with a connector compatible with the MPLAB ICD 2 or MPLAB REAL ICE systems (RJ-11). MPLAB ICD 3 supports all MPLAB ICD 2 headers.

## 24.10 PICkit 3 In-Circuit Debugger/Programmer and PICkit 3 Debug Express

The MPLAB PICkit 3 allows debugging and programming of PIC® and dsPIC® Flash microcontrollers at a most affordable price point using the powerful graphical user interface of the MPLAB Integrated Development Environment (IDE). The MPLAB PICkit 3 is connected to the design engineer's PC using a full speed USB interface and can be connected to the target via an Microchip debug (RJ-11) connector (compatible with MPLAB ICD 3 and MPLAB REAL ICE). The connector uses two device I/O pins and the reset line to implement in-circuit debugging and In-Circuit Serial Programming™.

The PICkit 3 Debug Express include the PICkit 3, demo board and microcontroller, hookup cables and CDROM with user's guide, lessons, tutorial, compiler and MPLAB IDE software.

## 24.11 PICkit 2 Development Programmer/Debugger and PICkit 2 Debug Express

The PICkit™ 2 Development Programmer/Debugger is a low-cost development tool with an easy to use interface for programming and debugging Microchip's Flash families of microcontrollers. The full featured Windows® programming interface supports baseline (PIC10F, PIC12F5xx, PIC16F5xx), midrange (PIC12F6xx, PIC16F), PIC18F, PIC24, dsPIC30, dsPIC33, and PIC32 families of 8-bit, 16-bit, and 32-bit microcontrollers, and many Microchip Serial EEPROM products. With Microchip's powerful MPLAB Integrated Development Environment (IDE) the PICkit™ 2 enables in-circuit debugging on most PIC® microcontrollers. In-Circuit-Debugging runs, halts and single steps the program while the PIC microcontroller is embedded in the application. When halted at a breakpoint, the file registers can be examined and modified.

The PICkit 2 Debug Express include the PICkit 2, demo board and microcontroller, hookup cables and CDROM with user's guide, lessons, tutorial, compiler and MPLAB IDE software.

## 24.12 MPLAB PM3 Device Programmer

The MPLAB PM3 Device Programmer is a universal, CE compliant device programmer with programmable voltage verification at VDDMIN and VDDMAX for maximum reliability. It features a large LCD display (128 x 64) for menus and error messages and a modular, detachable socket assembly to support various package types. The ICSP™ cable assembly is included as a standard item. In Stand-Alone mode, the MPLAB PM3 Device Programmer can read, verify and program PIC devices without a PC connection. It can also set code protection in this mode. The MPLAB PM3 connects to the host PC via an RS-232 or USB cable. The MPLAB PM3 has high-speed communications and optimized algorithms for quick programming of large memory devices and incorporates an MMC card for file storage and data applications.

## 24.13 Demonstration/Development Boards, Evaluation Kits, and Starter Kits

A wide variety of demonstration, development and evaluation boards for various PIC MCUs and dsPIC DSCs allows quick application development on fully functional systems. Most boards include prototyping areas for adding custom circuitry and provide application firmware and source code for examination and modification.

The boards support a variety of features, including LEDs, temperature sensors, switches, speakers, RS-232 interfaces, LCD displays, potentiometers and additional EEPROM memory.

The demonstration and development boards can be used in teaching environments, for prototyping custom circuits and for learning about various microcontroller applications.

In addition to the PICDEM™ and dsPICDEM™ demonstration/development board series of circuits, Microchip has a line of evaluation kits and demonstration software for analog filter design, KEELOQ® security ICs, CAN, IrDA®, PowerSmart battery management, SEEVAL® evaluation system, Sigma-Delta ADC, flow rate sensing, plus many more.

Also available are starter kits that contain everything needed to experience the specified device. This usually includes a single application and debug capability, all on one board.

Check the Microchip web page ([www.microchip.com](http://www.microchip.com)) for the complete list of demonstration, development and evaluation kits.

## 25.0 ELECTRICAL CHARACTERISTICS

This section provides an overview of dsPIC33FJ06GS001/101A/102A/202A and dsPIC33FJ09GS302 electrical characteristics. Additional information will be provided in future revisions of this document as it becomes available.

Absolute maximum ratings are listed below. Exposure to these maximum rating conditions for extended periods may affect device reliability. Functional operation of the device at these or any other conditions above the parameters indicated in the operation listings of this specification is not implied.

### Absolute Maximum Ratings<sup>(1)</sup>

|  |                       |
|--|-----------------------|
| Ambient temperature under bias .....   | -40°C to +125°C       |
| Storage temperature .....  | -65°C to +150°C       |
| Voltage on VDD with respect to VSS .....   | -0.3V to +4.0V        |
| Voltage on any pin that is not 5V tolerant, with respect to VSS <sup>(3)</sup> .....     | -0.3V to (VDD + 0.3V) |
| Voltage on any 5V tolerant pin with respect to VSS, when VDD ≥ 3.0V <sup>(3)</sup> ..... | -0.3V to +5.6V        |
| Voltage on any 5V tolerant pin with respect to VSS, when VDD < 3.0V <sup>(3)</sup> ..... | -0.3V to (VDD + 0.3V) |
| Maximum current out of VSS pin .....   | 300 mA                |
| Maximum current into VDD pin <sup>(2)</sup> .....  | 250 mA                |
| Maximum current sourced/sunk by any 4x I/O pin .....                                     | 15 mA                 |
| Maximum current sourced/sunk by any 16x I/O pin .....                                    | 45 mA                 |
| Maximum current sunk by all ports .....  | 200 mA                |
| Maximum current sourced by all ports <sup>(2)</sup> .....                                | 200mA                 |

**Note 1:** Stresses above those listed under “Absolute Maximum Ratings” may cause permanent damage to the device. This is a stress rating only, and functional operation of the device at those or any other conditions above those indicated in the operation listings of this specification is not implied. Exposure to maximum rating conditions for extended periods may affect device reliability.

**2:** Maximum allowable current is a function of device maximum power dissipation (see [Table 25-2](#)).

**3:** See the “[Pin Diagrams](#)” section for 5V tolerant pins.

# dsPIC33FJ06GS001/101A/102A/202A and dsPIC33FJ09GS302

## 25.1 DC Characteristics

**TABLE 25-1: OPERATING MIPS vs. VOLTAGE**

| Characteristic | VDD Range<br>(in Volts)               | Temp Range<br>(in °C) | Maximum MIPS  |
|----------------|---------------------------------------|-----------------------|---|
|                |                                       |                       | dsPIC33FJ06GS001/101A/102A/202A<br>and dsPIC33FJ09GS302 |
| —              | V <sub>BOR</sub> -3.6V <sup>(1)</sup> | -40°C to +85°C        | 40  |
| —              | V <sub>BOR</sub> -3.6V <sup>(1)</sup> | -40°C to +125°C       | 40  |

**Note 1:** Overall functional device operation at V<sub>BORMIN</sub> < V<sub>DD</sub> < V<sub>DDMIN</sub> is tested but not characterized. All device analog modules, such as the ADC, etc., will function but with degraded performance below V<sub>DDMIN</sub>. Refer to Parameter [BO10](#) in [Table 25-11](#) for BOR values.

**TABLE 25-2: THERMAL OPERATING CONDITIONS**

| Rating   | Symbol            | Min.   | Typ. | Max. | Unit |
|--|-------------------|--|------|------|------|
| Industrial Temperature Devices   |                   |  |      |      |      |
| Operating Junction Temperature Range   | T <sub>J</sub>    | -40  | —    | +125 | °C   |
| Operating Ambient Temperature Range  | T <sub>A</sub>    | -40  | —    | +85  | °C   |
| Extended Temperature Devices   |                   |  |      |      |      |
| Operating Junction Temperature Range   | T <sub>J</sub>    | -40  | —    | +140 | °C   |
| Operating Ambient Temperature Range  | T <sub>A</sub>    | -40  | —    | +125 | °C   |
| Power Dissipation<br>Internal Chip Power Dissipation:<br>P <sub>INT</sub> = V <sub>DD</sub> x (I <sub>DD</sub> - Σ I <sub>OH</sub> )<br>I/O Pin Power Dissipation:<br>I/O = Σ ({V <sub>DD</sub> - V <sub>OH</sub> } x I <sub>OH</sub> ) + Σ (V <sub>OL</sub> x I <sub>OL</sub> ) | P <sub>D</sub>    | P <sub>INT</sub> + P <sub>I/O</sub>                |      |      | W    |
| Maximum Allowed Power Dissipation  | P <sub>DMAX</sub> | (T <sub>J</sub> - T <sub>A</sub> )/θ <sub>JA</sub> |      |      | W    |

**TABLE 25-3: THERMAL PACKAGING CHARACTERISTICS**

| Characteristic                           | Symbol          | Typ. | Max. | Unit | Notes |
|--|-----------------|------|------|------|-------|
| Package Thermal Resistance, 18-Pin SOIC  | θ <sub>JA</sub> | 57   | —    | °C/W | 1     |
| Package Thermal Resistance, 18-pin PDIP  | θ <sub>JA</sub> | 66   | —    | °C/W | 1     |
| Package Thermal Resistance, 20-pin SSOP  | θ <sub>JA</sub> | 64   | —    | °C/W | 1     |
| Package Thermal Resistance, 28-Pin QFN-S | θ <sub>JA</sub> | 34   | —    | °C/W | 1     |
| Package Thermal Resistance, 28-pin SSOP  | θ <sub>JA</sub> | 71   | —    | °C/W | 1     |
| Package Thermal Resistance, 28-Pin SOIC  | θ <sub>JA</sub> | 47   | —    | °C/W | 1     |
| Package Thermal Resistance, 28-Pin SPDIP | θ <sub>JA</sub> | 45   | —    | °C/W | 1     |
| Package Thermal Resistance, 36-Pin VTLA  | θ <sub>JA</sub> | 29   | —    | °C/W | 1     |

**Note 1:** Junction to ambient thermal resistance, Theta-JA (θ<sub>JA</sub>) numbers are achieved by package simulations.



# dsPIC33FJ06GS001/101A/102A/202A and dsPIC33FJ09GS302

**TABLE 25-4: DC TEMPERATURE AND VOLTAGE SPECIFICATIONS**

| DC CHARACTERISTICS       |        |   | Standard Operating Conditions: 3.0V to 3.6V (unless otherwise stated)                       |                     |      |       |                         |
|--------------------------|--------|---|---|---------------------|------|-------|-------------------------|
|                          |        |   | Operating temperature -40°C ≤ TA ≤ +85°C for Industrial<br>-40°C ≤ TA ≤ +125°C for Extended |                     |      |       |                         |
| Param.                   | Symbol | Characteristic  | Min.  | Typ. <sup>(1)</sup> | Max. | Units | Conditions              |
| <b>Operating Voltage</b> |        |   |   |                     |      |       |                         |
| DC10                     | VDD    | <b>Supply Voltage<sup>(4)</sup></b>   | VBOR  | —                   | 3.6  | V     | Industrial and Extended |
| DC12                     | VDR    | <b>RAM Data Retention Voltage<sup>(2)</sup></b>                                   | 1.8   | —                   | —    | V     |                         |
| DC16                     | VPOR   | <b>VDD Start Voltage</b><br>to Ensure Internal<br>Power-on Reset Signal           | —   | —                   | VSS  | V     |                         |
| DC17                     | SVDD   | <b>VDD Rise Rate<sup>(3)</sup></b><br>to Ensure Internal<br>Power-on Reset Signal | 0.03  | —                   | —    | V/ms  | 0-3.0V in 0.1s          |

**Note 1:** Data in “Typ” column is at 3.3V, +25°C unless otherwise stated.

**2:** This is the limit to which VDD may be lowered without losing RAM data.

**3:** These parameters are characterized but not tested in manufacturing.

**4:** Overall functional device operation at VBORMIN < VDD < VDDMIN is tested but not characterized. All device analog modules, such as the ADC, etc., will function but with degraded performance below VDDMIN. Refer to Parameter [BO10](#) in [Table 25-11](#) for BOR values.

# dsPIC33FJ06GS001/101A/102A/202A and dsPIC33FJ09GS302

**TABLE 25-5: DC CHARACTERISTICS: OPERATING CURRENT (IDD)**

| DC CHARACTERISTICS                           |                        |      | Standard Operating Conditions: 3.0V to 3.6V (unless otherwise stated)<br>Operating temperature -40°C ≤ TA ≤ +85°C for Industrial<br>-40°C ≤ TA ≤ +125°C for Extended |            |  |
|--|------------------------|------|--|------------|--|
| Param.                                       | Typical <sup>(1)</sup> | Max. | Units  | Conditions |  |
| <b>Operating Current (IDD)<sup>(2)</sup></b> |                        |      |  |            |  |
| DC20d  | 15                     | 23   | mA   | -40°C      | 3.3V<br>10 MIPS  |
| DC20a  | 15                     | 23   | mA   | +25°C      |  |
| DC20b  | 15                     | 23   | mA   | +85°C      |  |
| DC20c  | 15                     | 23   | mA   | +125°C     |  |
| DC21d  | 23                     | 34   | mA   | -40°C      | 3.3V<br>16 MIPS <sup>(3)</sup>   |
| DC21a  | 23                     | 34   | mA   | +25°C      |  |
| DC21b  | 23                     | 34   | mA   | +85°C      |  |
| DC21c  | 23                     | 34   | mA   | +125°C     |  |
| DC22d  | 25                     | 38   | mA   | -40°C      | 3.3V<br>20 MIPS <sup>(3)</sup>   |
| DC22a  | 25                     | 38   | mA   | +25°C      |  |
| DC22b  | 25                     | 38   | mA   | +85°C      |  |
| DC22c  | 25                     | 38   | mA   | +125°C     |  |
| DC23d  | 34                     | 51   | mA   | -40°C      | 3.3V<br>30 MIPS <sup>(3)</sup>   |
| DC23a  | 34                     | 51   | mA   | +25°C      |  |
| DC23b  | 34                     | 51   | mA   | +85°C      |  |
| DC23c  | 34                     | 51   | mA   | +125°C     |  |
| DC24d  | 43                     | 64   | mA   | -40°C      | 3.3V<br>40 MIPS <sup>(3)</sup>   |
| DC24a  | 43                     | 64   | mA   | +25°C      |  |
| DC24b  | 43                     | 64   | mA   | +85°C      |  |
| DC24c  | 43                     | 64   | mA   | +125°C     |  |
| DC25d  | 83                     | 125  | mA   | -40°C      | 3.3V<br>40 MIPS<br>See <b>Note 2</b> , except PWM and ADC<br>are operating at maximum speed<br>(PTCON2 = 0x0000) |
| DC25a  | 83                     | 125  | mA   | +25°C      |  |
| DC25b  | 83                     | 125  | mA   | +85°C      |  |
| DC25c  | 83                     | 125  | mA   | +125°C     |  |

**Note 1:** Data in “Typical” column is at 3.3V, +25°C unless otherwise stated.

**2:** IDD is primarily a function of the operating voltage and frequency. Other factors, such as I/O pin loading and switching rate, oscillator type, internal code execution pattern and temperature, also have an impact on the current consumption. The test conditions for all IDD measurements are as follows:

- Oscillator is configured in EC mode, OSC1 is driven with external square wave from rail-to-rail
- CLKO is configured as an I/O input pin in the Configuration Word
- All I/O pins are configured as inputs and pulled to VSS
- MCLR = VDD; WDT and FSCM are disabled
- CPU, SRAM, program memory and data memory are operational
- No peripheral modules are operating; however, every peripheral is being clocked (PMDx bits are all zeroed)
- CPU is executing `while(1)` statement

**3:** These parameters are characterized but not tested in manufacturing.

**TABLE 25-6: DC CHARACTERISTICS: IDLE CURRENT (IDLE)**

| DC CHARACTERISTICS   |                        |      | Standard Operating Conditions: 3.0V to 3.6V (unless otherwise stated)<br>Operating temperature -40°C ≤ TA ≤ +85°C for Industrial<br>-40°C ≤ TA ≤ +125°C for Extended |            |                                |
|--|------------------------|------|--|------------|--------------------------------|
| Param.   | Typical <sup>(1)</sup> | Max. | Units  | Conditions |                                |
| <b>Idle Current (IDLE): Core Off Clock On Base Current<sup>(2)</sup></b> |                        |      |  |            |                                |
| DC40d  | 13                     | 21   | mA   | -40°C      | 3.3V<br>10 MIPS                |
| DC40a  | 13                     | 21   | mA   | +25°C      |                                |
| DC40b  | 13                     | 21   | mA   | +85°C      |                                |
| DC40c  | 13                     | 21   | mA   | +125°C     |                                |
| DC41d  | 16                     | 24   | mA   | -40°C      | 3.3V<br>16 MIPS <sup>(3)</sup> |
| DC41a  | 16                     | 24   | mA   | +25°C      |                                |
| DC41b  | 16                     | 24   | mA   | +85°C      |                                |
| DC41c  | 16                     | 24   | mA   | +125°C     |                                |
| DC42d  | 17                     | 27   | mA   | -40°C      | 3.3V<br>20 MIPS <sup>(3)</sup> |
| DC42a  | 17                     | 27   | mA   | +25°C      |                                |
| DC42b  | 17                     | 27   | mA   | +85°C      |                                |
| DC42c  | 17                     | 27   | mA   | +125°C     |                                |
| DC43d  | 20                     | 32   | mA   | -40°C      | 3.3V<br>30 MIPS <sup>(3)</sup> |
| DC43a  | 20                     | 32   | mA   | +25°C      |                                |
| DC43b  | 20                     | 32   | mA   | +85°C      |                                |
| DC43c  | 20                     | 32   | mA   | +125°C     |                                |
| DC44d  | 23                     | 37   | mA   | -40°C      | 3.3V<br>40 MIPS                |
| DC44a  | 23                     | 37   | mA   | +25°C      |                                |
| DC44b  | 23                     | 37   | mA   | +85°C      |                                |
| DC44c  | 23                     | 37   | mA   | +125°C     |                                |

**Note 1:** Data in “Typical” column is at 3.3V, +25°C unless otherwise stated.

**2:** Base Idle current is measured as follows:

- CPU core is off, oscillator is configured in EC mode, OSC1 is driven with external square wave from rail-to-rail
- CLKO is configured as an I/O input pin in the Configuration Word
- All I/O pins are configured as inputs and pulled to Vss
- MCLR = VDD; WDT and FSCM are disabled
- No peripheral modules are operating; however, every peripheral is being clocked (PMDx bits are all zeroed)

**3:** These parameters are characterized but not tested in manufacturing.

# dsPIC33FJ06GS001/101A/102A/202A and dsPIC33FJ09GS302

**TABLE 25-7: DC CHARACTERISTICS: POWER-DOWN CURRENT (IPD)**

| DC CHARACTERISTICS                              |                        |      | Standard Operating Conditions: 3.0V to 3.6V (unless otherwise stated)<br>Operating temperature -40°C ≤ TA ≤ +85°C for Industrial<br>-40°C ≤ TA ≤ +125°C for Extended |            |  |
|---|------------------------|------|--|------------|--|
| Param.  | Typical <sup>(1)</sup> | Max. | Units  | Conditions |  |
| <b>Power-Down Current (IPD)<sup>(2,4)</sup></b> |                        |      |  |            |  |
| DC60d   | 125                    | 500  | μA   | -40°C      | 3.3V<br>Base Power-Down Current                                  |
| DC60a   | 135                    | 500  | μA   | +25°C      |  |
| DC60b   | 235                    | 500  | μA   | +85°C      |  |
| DC60c   | 565                    | 950  | μA   | +125°C     |  |
| DC61d   | 40                     | 50   | μA   | -40°C      | 3.3V<br>Watchdog Timer Current: ΔI <sub>WDT</sub> <sup>(3)</sup> |
| DC61a   | 40                     | 50   | μA   | +25°C      |  |
| DC61b   | 40                     | 50   | μA   | +85°C      |  |
| DC61c   | 80                     | 90   | μA   | +125°C     |  |

**Note 1:** Data in the Typical column is at 3.3V, +25°C unless otherwise stated.

**2:** IPD current is measured as follows:

- CPU core is off, oscillator is configured in EC mode, OSC1 is driven with external square wave from rail-to-rail
- CLKO is configured as an I/O input pin in the Configuration Word
- All I/O pins are configured as inputs and pulled to V<sub>SS</sub>
- $\overline{\text{MCLR}} = V_{\text{DD}}$ , WDT and FSCM are disabled
- All peripheral modules are disabled (PMDx bits are all '1's)
- VREGS bit (RCON<8>) = 1 (i.e., core regulator is set to standby while the device is in Sleep mode)

**3:** The Δ current is the additional current consumed when the WDT module is enabled. This current should be added to the base IPD current.

**4:** These currents are measured on the device containing the most memory in this family.

# dsPIC33FJ06GS001/101A/102A/202A and dsPIC33FJ09GS302

**TABLE 25-8: DC CHARACTERISTICS: DOZE CURRENT (IDOZE)**

| DC CHARACTERISTICS                        |                        |      | Standard Operating Conditions: 3.0V to 3.6V (unless otherwise stated)                       |       |            |      |         |
|---|------------------------|------|---|-------|------------|------|---------|
|   |                        |      | Operating temperature -40°C ≤ TA ≤ +85°C for Industrial<br>-40°C ≤ TA ≤ +125°C for Extended |       |            |      |         |
| Param.                                    | Typical <sup>(1)</sup> | Max. | Doze Ratio  | Units | Conditions |      |         |
| <b>Doze Current (IDOZE)<sup>(2)</sup></b> |                        |      |   |       |            |      |         |
| DC73a                                     | 30                     | 45   | 1:2   | mA    | -40°C      | 3.3V | 40 MIPS |
| DC73f                                     | 16                     | 23   | 1:64  | mA    |            |      |         |
| DC73g                                     | 16                     | 23   | 1:128   | mA    |            |      |         |
| DC70a                                     | 30                     | 45   | 1:2   | mA    | +25°C      | 3.3V | 40 MIPS |
| DC70f                                     | 16                     | 23   | 1:64  | mA    |            |      |         |
| DC70g                                     | 16                     | 23   | 1:128   | mA    |            |      |         |
| DC71a                                     | 30                     | 45   | 1:2   | mA    | +85°C      | 3.3V | 40 MIPS |
| DC71f                                     | 16                     | 23   | 1:64  | mA    |            |      |         |
| DC71g                                     | 16                     | 23   | 1:128   | mA    |            |      |         |
| DC72a                                     | 30                     | 45   | 1:2   | mA    | +125°C     | 3.3V | 40 MIPS |
| DC72f                                     | 16                     | 23   | 1:64  | mA    |            |      |         |
| DC72g                                     | 16                     | 23   | 1:128   | mA    |            |      |         |

**Note 1:** Data in the Typical column is at 3.3V, +25°C unless otherwise stated.

- 2:** IDOZE is primarily a function of the operating voltage and frequency. Other factors, such as I/O pin loading and switching rate, oscillator type, internal code execution pattern and temperature, also have an impact on the current consumption. The test conditions for all IDOZE measurements are as follows:
- Oscillator is configured in EC mode, OSC1 is driven with external square wave from rail-to-rail
  - CLKO is configured as an I/O input pin in the Configuration Word
  - All I/O pins are configured as inputs and pulled to VSS
  - MCLR = VDD; WDT and FSCM are disabled
  - CPU, SRAM, program memory and data memory are operational
  - No peripheral modules are operating; however, every peripheral is being clocked (PMDx bits are all zeroed)
  - CPU is executing `while(1)` statement

# dsPIC33FJ06GS001/101A/102A/202A and dsPIC33FJ09GS302

**TABLE 25-9: DC CHARACTERISTICS: I/O PIN INPUT SPECIFICATIONS**

| DC CHARACTERISTICS |                 |   | Standard Operating Conditions: 3.0V to 3.6V<br>(unless otherwise stated)<br>Operating temperature -40°C ≤ TA ≤ +85°C for Industrial<br>-40°C ≤ TA ≤ +125°C for Extended |                     |                     |               |   |
|--------------------|-----------------|---|---|---------------------|---------------------|---------------|---|
| Param.             | Symbol          | Characteristic  | Min.  | Typ. <sup>(1)</sup> | Max.                | Units         | Conditions  |
| DI10               | V <sub>IL</sub> | <b>Input Low Voltage</b>  |   |                     |                     |               |   |
|                    |                 | I/O Pins  | V <sub>SS</sub>   | —                   | 0.2 V <sub>DD</sub> | V             |   |
| DI15               |                 | MCLR  | V <sub>SS</sub>   | —                   | 0.2 V <sub>DD</sub> | V             |   |
| DI16               |                 | I/O Pins with OSC1  | V <sub>SS</sub>   | —                   | 0.2 V <sub>DD</sub> | V             |   |
| DI18               |                 | SDA1, SCL1  | V <sub>SS</sub>   | —                   | 0.3 V <sub>DD</sub> | V             | SMBus disabled  |
| DI19               | SDA1, SCL1      | V <sub>SS</sub>   | —   | 0.8                 | V                   | SMBus enabled |   |
| DI20               | V <sub>IH</sub> | <b>Input High Voltage</b>   |   |                     |                     |               |   |
|                    |                 | I/O Pins Not 5V Tolerant <sup>(4)</sup>                                 | 0.7 V <sub>DD</sub>   | —                   | V <sub>DD</sub>     | V             |   |
| DI21               |                 | I/O Pins 5V Tolerant <sup>(4)</sup>                                     | 0.7 V <sub>DD</sub>   | —                   | 5.5                 | V             |   |
| DI28               |                 | SDA1, SCL1  | 0.7 V <sub>DD</sub>   | —                   | 5.5                 | V             | SMBus disabled  |
| DI29               | SDA1, SCL1      | 2.1   | —   | 5.5                 | V                   | SMBus enabled |   |
| DI30               | ICNPU           | <b>CNx Pull-up Current</b>  | —   | 250                 | —                   | μA            | V <sub>DD</sub> = 3.3V, V <sub>PIN</sub> = V <sub>SS</sub>                      |
| DI50               | I <sub>IL</sub> | <b>Input Leakage Current<sup>(2,3,4)</sup></b>                          |   |                     |                     |               |   |
|                    |                 | I/O Pins:<br>4x Sink Driver Pins<br>RA0-RA2, RB0-RB2, RB5-RB10,<br>RB15 | —   | —                   | ±2                  | μA            | V <sub>SS</sub> ≤ V <sub>PIN</sub> ≤ V <sub>DD</sub> ,<br>Pin at high-impedance |
|                    |                 | 16x Sink Driver Pins<br>RA3, RA4, RB3, RB4, RB11-RB14                   | —   | —                   | ±8                  | μA            | V <sub>SS</sub> ≤ V <sub>PIN</sub> ≤ V <sub>DD</sub> ,<br>Pin at high-impedance |
| DI55               | MCLR            |   | —   | —                   | ±2                  | μA            | V <sub>SS</sub> ≤ V <sub>PIN</sub> ≤ V <sub>DD</sub>                            |
| DI56               | OSC1            |   | —   | —                   | ±2                  | μA            | V <sub>SS</sub> ≤ V <sub>PIN</sub> ≤ V <sub>DD</sub> ,<br>XT and HS modes       |

- Note 1:** Data in “Typ” column is at 3.3V, +25°C unless otherwise stated.
- 2:** The leakage current on the MCLR pin is strongly dependent on the applied voltage level. The specified levels represent normal operating conditions. Higher leakage current may be measured at different input voltages.
- 3:** Negative current is defined as current sourced by the pin.
- 4:** See the “[Pin Diagrams](#)” section for the list of 5V tolerant I/O pins.
- 5:** V<sub>IL</sub> source < (V<sub>SS</sub> – 0.3); characterized but not tested.
- 6:** Non-5V tolerant pins V<sub>IH</sub> source > (V<sub>DD</sub> + 0.3), 5V tolerant pins V<sub>IH</sub> source > 5.5V; characterized but not tested.
- 7:** Digital 5V tolerant pins cannot tolerate any “positive” input injection current from input sources > 5.5V.
- 8:** Injection currents > |0| can affect the ADC results by approximately 4-6 counts.
- 9:** Any number and/or combination of I/O pins, not excluded under I<sub>ICL</sub> or I<sub>ICH</sub> conditions, are permitted provided the mathematical “absolute instantaneous” sum of the input injection currents from all pins do not exceed the specified limit; characterized but not tested.

TABLE 25-9: DC CHARACTERISTICS: I/O PIN INPUT SPECIFICATIONS (CONTINUED)

| DC CHARACTERISTICS |                           |  | Standard Operating Conditions: 3.0V to 3.6V<br>(unless otherwise stated)<br>Operating temperature $-40^{\circ}\text{C} \leq T_A \leq +85^{\circ}\text{C}$ for Industrial<br>$-40^{\circ}\text{C} \leq T_A \leq +125^{\circ}\text{C}$ for Extended |                     |                       |       |  |
|--------------------|---------------------------|--|---|---------------------|-----------------------|-------|--|
| Param.             | Symbol                    | Characteristic   | Min.  | Typ. <sup>(1)</sup> | Max.                  | Units | Conditions   |
| DI60a              | I <sub>ICL</sub>          | Input Low Injection Current  | 0   | —                   | -5 <sup>(5,8)</sup>   | mA    | All pins except V <sub>DD</sub> , V <sub>SS</sub> , AV <sub>DD</sub> , AV <sub>SS</sub> , MCLR, V <sub>CAP</sub> and RB5                                       |
| DI60b              | I <sub>ICH</sub>          | Input High Injection Current                                       | 0   | —                   | +5 <sup>(6,7,8)</sup> | mA    | All pins except V <sub>DD</sub> , V <sub>SS</sub> , AV <sub>DD</sub> , AV <sub>SS</sub> , MCLR, V <sub>CAP</sub> , RB5 and digital 5V tolerant designated pins |
| DI60c              | $\Sigma$ I <sub>ICT</sub> | Total Input Injection Current<br>(sum of all I/O and control pins) | -20 <sup>(9)</sup>  | —                   | +20 <sup>(9)</sup>    | mA    | Absolute instantaneous sum of all $\pm$ input injection currents from all I/O pins<br>$( I_{ICL}  +  I_{ICH} ) \leq \Sigma I_{ICT}$                            |

- Note 1:** Data in “Typ” column is at 3.3V, +25°C unless otherwise stated.
- 2:** The leakage current on the MCLR pin is strongly dependent on the applied voltage level. The specified levels represent normal operating conditions. Higher leakage current may be measured at different input voltages.
- 3:** Negative current is defined as current sourced by the pin.
- 4:** See the “Pin Diagrams” section for the list of 5V tolerant I/O pins.
- 5:** V<sub>IL</sub> source < (V<sub>SS</sub> – 0.3); characterized but not tested.
- 6:** Non-5V tolerant pins V<sub>IH</sub> source > (V<sub>DD</sub> + 0.3), 5V tolerant pins V<sub>IH</sub> source > 5.5V; characterized but not tested.
- 7:** Digital 5V tolerant pins cannot tolerate any “positive” input injection current from input sources > 5.5V.
- 8:** Injection currents > |0| can affect the ADC results by approximately 4-6 counts.
- 9:** Any number and/or combination of I/O pins, not excluded under I<sub>ICL</sub> or I<sub>ICH</sub> conditions, are permitted provided the mathematical “absolute instantaneous” sum of the input injection currents from all pins do not exceed the specified limit; characterized but not tested.

# dsPIC33FJ06GS001/101A/102A/202A and dsPIC33FJ09GS302

**TABLE 25-10: DC CHARACTERISTICS: I/O PIN OUTPUT SPECIFICATIONS**

| DC CHARACTERISTICS |        |  | Standard Operating Conditions: 3.0V to 3.6V<br>(unless otherwise stated)<br>Operating temperature -40°C ≤ TA ≤ +85°C for Industrial<br>-40°C ≤ TA ≤ +125°C for Extended |      |      |       |   |
|--------------------|--------|--|---|------|------|-------|---|
| Param.             | Symbol | Characteristic   | Min.  | Typ. | Max. | Units | Conditions                              |
| DO10               | VOL    | <b>Output Low Voltage</b><br>I/O Pins:<br>4x Sink Driver Pins – RA0-RA2,<br>RB0-RB2, RB5-RB10, RB15    | —   | —    | 0.4  | V     | IOL ≤ 6 mA, VDD = 3.3V <sup>(1)</sup>   |
|                    |        | <b>Output Low Voltage</b><br>I/O Pins:<br>16x Sink Driver Pins – RA3, RA4,<br>RB3, RB4, RB11-RB14      | —   | —    | 0.4  | V     | IOL ≤ 18 mA, VDD = 3.3V <sup>(1)</sup>  |
| DO20               | VOH    | <b>Output High Voltage</b><br>I/O Pins:<br>4x Source Driver Pins – RA0-RA2,<br>RB0-RB2, RB5-RB10, RB15 | 2.4   | —    | —    | V     | IOH ≥ -6 mA, VDD = 3.3V <sup>(1)</sup>  |
|                    |        | <b>Output High Voltage</b><br>I/O Pins:<br>16x Source Driver Pins – RA3,<br>RA4, RB3, RB4, RB11-RB14   | 2.4   | —    | —    | V     | IOH ≥ -18 mA, VDD = 3.3V <sup>(1)</sup> |
| DO20A              | VOH1   | <b>Output High Voltage</b><br>I/O Pins:<br>4x Source Driver Pins – RA0-RA2,<br>RB0-RB2, RB5-RB10, RB15 | 1.5   | —    | —    | V     | IOH ≥ -12 mA, VDD = 3.3V <sup>(1)</sup> |
|                    |        |  | 2.0   | —    | —    |       | IOH ≥ -11 mA, VDD = 3.3V <sup>(1)</sup> |
|                    |        |  | 3.0   | —    | —    |       | IOH ≥ -3 mA, VDD = 3.3V <sup>(1)</sup>  |
|                    |        | <b>Output High Voltage</b><br>I/O Pins:<br>16x Source Driver Pins – RA3,<br>RA4, RB3, RB4, RB11-RB14   | 1.5   | —    | —    | V     | IOH ≥ -30 mA, VDD = 3.3V <sup>(1)</sup> |
|                    |        |  | 2.0   | —    | —    |       | IOH ≥ -25 mA, VDD = 3.3V <sup>(1)</sup> |
|                    |        |  | 3.0   | —    | —    |       | IOH ≥ -8 mA, VDD = 3.3V <sup>(1)</sup>  |

**Note 1:** These parameters are characterized, but not tested.

**TABLE 25-11: ELECTRICAL CHARACTERISTICS: BOR**

| DC CHARACTERISTICS |        |   | Standard Operating Conditions: 3.0V to 3.6V <sup>(3)</sup><br>(unless otherwise stated)<br>Operating temperature -40°C ≤ TA ≤ +85°C for Industrial<br>-40°C ≤ TA ≤ +125°C for Extended |      |      |       |              |
|--------------------|--------|---|--|------|------|-------|--------------|
| Param.             | Symbol | Characteristic  | Min. <sup>(1)</sup>  | Typ. | Max. | Units | Conditions   |
| BO10               | VBOR   | BOR Event on VDD Transition<br>High-to-Low<br>BOR Event is Tied to VDD Core<br>Voltage Decrease | 2.55   | —    | 2.96 | V     | (See Note 2) |

**Note 1:** These parameters are for design guidance only and are not tested in manufacturing.

**2:** The device will operate as normal until the VDDMIN threshold is reached.

**3:** Overall functional device operation at VBORMIN < VDD < VDDMIN is tested but not characterized. All device analog modules, such as the ADC, etc., will function but with degraded performance below VDDMIN.



TABLE 25-12: DC CHARACTERISTICS: PROGRAM MEMORY

| DC CHARACTERISTICS          |        |                                   | Standard Operating Conditions: 3.0V to 3.6V<br>(unless otherwise stated)<br>Operating temperature -40°C ≤ TA ≤ +85°C for Industrial<br>-40°C ≤ TA ≤ +125°C for Extended |                     |      |       |  |
|-----------------------------|--------|-----------------------------------|---|---------------------|------|-------|--|
| Param.                      | Symbol | Characteristic                    | Min.  | Typ. <sup>(1)</sup> | Max. | Units | Conditions   |
| <b>Program Flash Memory</b> |        |                                   |   |                     |      |       |  |
| D130                        | EP     | Cell Endurance                    | 10,000  | —                   | —    | E/W   | -40°C to +125°C  |
| D131                        | VPR    | VDD for Read                      | V <sub>MIN</sub>  | —                   | 3.6  | V     | V <sub>MIN</sub> = Minimum operating voltage                   |
| D132B                       | VPEW   | VDD for Self-Timed Write          | V <sub>MIN</sub>  | —                   | 3.6  | V     | V <sub>MIN</sub> = Minimum operating voltage                   |
| D134                        | TRETD  | Characteristic Retention          | 20  | —                   | —    | Year  | Provided no other specifications are violated, -40°C to +125°C |
| D135                        | IDDP   | Supply Current during Programming | —   | 10                  | —    | mA    |  |
| D137a                       | TPE    | Page Erase Time                   | 20.1  | —                   | 26.5 | ms    | TPE = 168517 FRC cycles, TA = +85°C <sup>(2)</sup>             |
| D137b                       | TPE    | Page Erase Time                   | 19.5  | —                   | 27.3 | ms    | TPE = 168517 FRC cycles, TA = +125°C <sup>(2)</sup>            |
| D138a                       | TWW    | Word Write Cycle Time             | 42.3  | —                   | 55.9 | μs    | TWW = 355 FRC cycles, TA = +85°C <sup>(2)</sup>                |
| D138b                       | TWW    | Word Write Cycle Time             | 41.1  | —                   | 57.6 | μs    | TWW = 355 FRC cycles, TA = +125°C <sup>(2)</sup>               |

**Note 1:** Data in “Typ” column is at 3.3V, +25°C unless otherwise stated.

- 2:** Other conditions: FRC = 7.37 MHz, TUN<5:0> = 'b0111111 (for Minimum), TUN<5:0> = 'b100000 (for Maximum). This parameter depends on the FRC accuracy (see Table 25-20) and the value of the FRC Oscillator Tuning register (see Register 9-4). For complete details on calculating the Minimum and Maximum time, see Section 5.3 “Programming Operations”.

TABLE 25-13: INTERNAL VOLTAGE REGULATOR SPECIFICATIONS

| Operating Conditions: -40°C ≤ TA ≤ +85°C for Industrial<br>-40°C ≤ TA ≤ +125°C for Extended |        |  |      |      |      |       |  |
|---|--------|--|------|------|------|-------|--|
| Param.  | Symbol | Characteristics                                | Min. | Typ. | Max. | Units | Comments   |
|   | CEFC   | External Filter Capacitor Value <sup>(1)</sup> | 4.7  | 10   | —    | μF    | Capacitor must be low series resistance (< 0.5 Ohms) |

**Note 1:** Typical VCAP voltage = 2.5 volts when VDD ≥ VDDMIN.

# dsPIC33FJ06GS001/101A/102A/202A and dsPIC33FJ09GS302

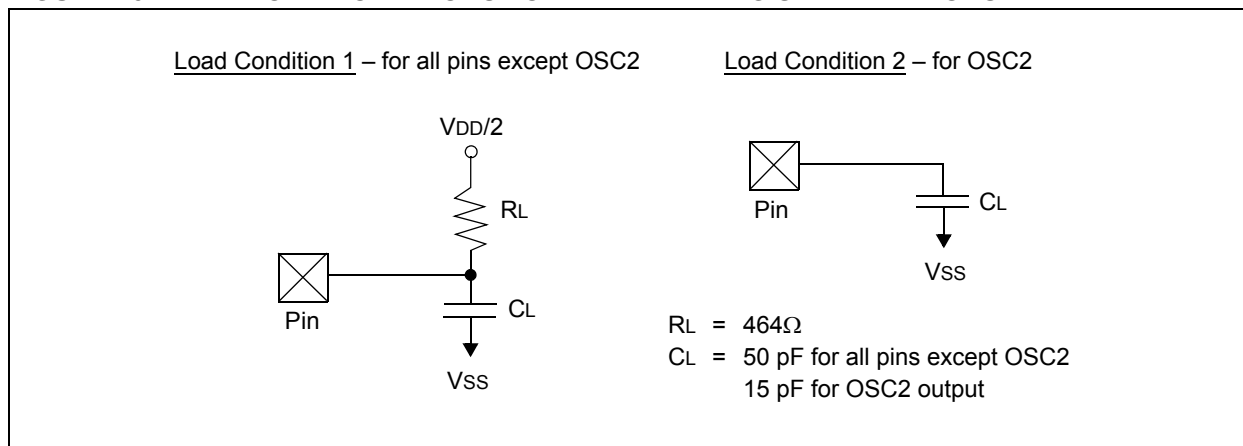
## 25.2 AC Characteristics and Timing Parameters

This section defines dsPIC33FJ06GS001/101A/102A/202A and dsPIC33FJ09GS302 AC characteristics and timing parameters.

**TABLE 25-14: TEMPERATURE AND VOLTAGE SPECIFICATIONS – AC**

|                           |  |
|---------------------------|--|
| <b>AC CHARACTERISTICS</b> | <b>Standard Operating Conditions: 3.0V to 3.6V (unless otherwise stated)</b>   |
|                           | Operating temperature $-40^{\circ}\text{C} \leq T_A \leq +85^{\circ}\text{C}$ for Industrial<br>$-40^{\circ}\text{C} \leq T_A \leq +125^{\circ}\text{C}$ for Extended<br>Operating voltage $V_{DD}$ range as described in <a href="#">Table 25-1</a> . |

**FIGURE 25-1: LOAD CONDITIONS FOR DEVICE TIMING SPECIFICATIONS**



**TABLE 25-15: CAPACITIVE LOADING REQUIREMENTS ON OUTPUT PINS**

| Param. | Symbol | Characteristic        | Min. | Typ. | Max. | Units | Conditions   |
|--------|--------|-----------------------|------|------|------|-------|--|
| DO50   | Cosco  | OSC2 Pin              | —    | —    | 15   | pF    | In XT and HS modes when external clock is used to drive OSC1 |
| DO56   | Cio    | All I/O Pins and OSC2 | —    | —    | 50   | pF    | EC mode  |
| DO58   | CB     | SCL1, SDA1            | —    | —    | 400  | pF    | In I <sup>2</sup> C™ mode                                    |

FIGURE 25-2: EXTERNAL CLOCK TIMING



TABLE 25-16: EXTERNAL CLOCK TIMING REQUIREMENTS

| AC CHARACTERISTICS |               |  | Standard Operating Conditions: 3.0V to 3.6V<br>(unless otherwise stated)<br>Operating temperature -40°C ≤ TA ≤ +85°C for Industrial<br>-40°C ≤ TA ≤ +125°C for Extended |                     |              |            |                          |
|--------------------|---------------|--|---|---------------------|--------------|------------|--------------------------|
| Param.             | Symbol        | Characteristic   | Min.  | Typ. <sup>(1)</sup> | Max.         | Units      | Conditions               |
| OS10               | FIN           | External CLKI Frequency<br>(External clocks allowed only<br>in EC and ECPLL modes) | DC  | —                   | 40           | MHz        | EC                       |
|                    |               | Oscillator Crystal Frequency   | 3.0<br>10   | —<br>—              | 10<br>32     | MHz<br>MHz | XT<br>HS                 |
| OS20               | TOSC          | TOSC = 1/FOSC  | 12.5  | —                   | DC           | ns         |                          |
| OS25               | Tcy           | Instruction Cycle Time <sup>(2)</sup>  | 25  | —                   | DC           | ns         |                          |
| OS30               | TosL,<br>TosH | External Clock in (OSC1)<br>High or Low Time                                       | 0.375 x TOSC  | —                   | 0.625 x TOSC | ns         | EC                       |
| OS31               | TosR,<br>TosF | External Clock in (OSC1)<br>Rise or Fall Time                                      | —   | —                   | 20           | ns         | EC                       |
| OS40               | TckR          | CLKO Rise Time <sup>(3)</sup>  | —   | 5.2                 | —            | ns         |                          |
| OS41               | TckF          | CLKO Fall Time <sup>(3)</sup>  | —   | 5.2                 | —            | ns         |                          |
| OS42               | GM            | External Oscillator<br>Transconductance <sup>(4)</sup>                             | 14  | 16                  | 18           | mA/V       | VDD = 3.3V<br>TA = +25°C |

**Note 1:** Data in “Typ” column is at 3.3V, +25°C unless otherwise stated.

**2:** Instruction cycle period (Tcy) equals two times the input oscillator time base period. All specified values are based on characterization data for that particular oscillator type, under standard operating conditions, with the device executing code. Exceeding these specified limits may result in an unstable oscillator operation and/or higher than expected current consumption. All devices are tested to operate at “min.” values with an external clock applied to the OSC1/CLKI pin. When an external clock input is used, the “max.” cycle time limit is “DC” (no clock) for all devices.

**3:** Measurements are taken in EC mode. The CLKO signal is measured on the OSC2 pin.

**4:** Data for this parameter is Preliminary. This parameter is characterized, but not tested in manufacturing.

# dsPIC33FJ06GS001/101A/102A/202A and dsPIC33FJ09GS302

**TABLE 25-17: PLL CLOCK TIMING SPECIFICATIONS (V<sub>DD</sub> = 3.0V TO 3.6V)**

| AC CHARACTERISTICS |        |   | Standard Operating Conditions: 3.0V to 3.6V<br>(unless otherwise stated)<br>Operating temperature -40°C ≤ T <sub>A</sub> ≤ +85°C for Industrial<br>-40°C ≤ T <sub>A</sub> ≤ +125°C for Extended |                     |      |       |                             |
|--------------------|--------|---|---|---------------------|------|-------|-----------------------------|
| Param.             | Symbol | Characteristic  | Min.  | Typ. <sup>(1)</sup> | Max. | Units | Conditions                  |
| OS50               | FPLLI  | PLL Voltage Controlled Oscillator (VCO) Input Frequency Range | 0.8   | —                   | 8    | MHz   | ECPLL, XTPLL modes          |
| OS51               | FSYS   | On-Chip VCO System Frequency                                  | 100   | —                   | 200  | MHz   |                             |
| OS52               | TLOCK  | PLL Start-up Time (Lock Time)                                 | 0.9   | 1.5                 | 3.1  | mS    |                             |
| OS53               | DCLK   | CLKO Stability (Jitter) <sup>(2)</sup>                        | -3  | 0.5                 | 3    | %     | Measured over 100 ms period |

**Note 1:** Data in “Typ” column is at 3.3V, +25°C unless otherwise stated. Parameters are for design guidance only and are not tested in manufacturing.

**2:** These parameters are characterized by similarity, but are not tested in manufacturing. This specification is based on clock cycle by clock cycle measurements. To calculate the effective jitter for individual time bases or communication clocks use this formula:

$$\text{Peripheral Clock Jitter} = \frac{DCLK}{\sqrt{\left(\frac{FOSC}{\text{Peripheral Bit Rate Clock}}\right)}}$$

For example: FOSC = 32 MHz, DCLK = 3%, SPI bit rate clock (i.e., SCK) is 2 MHz.

$$\text{SPI SCK Jitter} = \left[ \frac{DCLK}{\sqrt{\left(\frac{32 \text{ MHz}}{2 \text{ MHz}}\right)}} \right] = \left[ \frac{3\%}{\sqrt{16}} \right] = \left[ \frac{3\%}{4} \right] = 0.75\%$$

**TABLE 25-18: AUXILIARY PLL CLOCK TIMING SPECIFICATIONS (V<sub>DD</sub> = 3.0V TO 3.6V)**

| AC CHARACTERISTICS |        |  | Standard Operating Conditions: 3.0V to 3.6V<br>(unless otherwise stated)<br>Operating temperature -40°C ≤ T <sub>A</sub> ≤ +85°C for Industrial<br>-40°C ≤ T <sub>A</sub> ≤ +125°C for Extended |                     |      |       |            |
|--------------------|--------|--|---|---------------------|------|-------|------------|
| Param.             | Symbol | Characteristic                                 | Min.  | Typ. <sup>(1)</sup> | Max. | Units | Conditions |
| OS56               | FHPOUT | On-Chip 16x PLL CCO Frequency                  | 112   | 118                 | 120  | MHz   |            |
| OS57               | FHPIN  | On-Chip 16x PLL Phase Detector Input Frequency | 7.0   | 7.37                | 7.5  | MHz   |            |
| OS58               | TSU    | Frequency Generator Lock Time                  | —   | —                   | 10   | μs    |            |

**Note 1:** Data in “Typ” column is at 3.3V, +25°C unless otherwise stated. Parameters are for design guidance only and are not tested in manufacturing.

**TABLE 25-19: AC CHARACTERISTICS: INTERNAL FRC ACCURACY**

| AC CHARACTERISTICS  |                | Standard Operating Conditions: 3.0V to 3.6V (unless otherwise stated)<br>Operating temperature -40°C ≤ TA ≤ +85°C for industrial<br>-40°C ≤ TA ≤ +125°C for Extended |      |      |       |                     |                |
|---|----------------|--|------|------|-------|---------------------|----------------|
| Param.  | Characteristic | Min.   | Typ. | Max. | Units | Conditions          |                |
| Internal FRC Accuracy @ FRC Frequency = 7.37 MHz <sup>(1)</sup> |                |  |      |      |       |                     |                |
| F20a  | FRC            | -2   | —    | +2   | %     | -40°C ≤ TA ≤ +85°C  | VDD = 3.0-3.6V |
| F20b  | FRC            | -5   | —    | +5   | %     | -40°C ≤ TA ≤ +125°C | VDD = 3.0-3.6V |

**Note 1:** Frequency is calibrated at +25°C and 3.3V. TUNx bits can be used to compensate for temperature drift.

**TABLE 25-20: INTERNAL LPRC ACCURACY**

| AC CHARACTERISTICS               |                | Standard Operating Conditions: 3.0V to 3.6V (unless otherwise stated)<br>Operating temperature -40°C ≤ TA ≤ +85°C for Industrial<br>-40°C ≤ TA ≤ +125°C for Extended |      |      |       |                     |                |
|----------------------------------|----------------|--|------|------|-------|---------------------|----------------|
| Param.                           | Characteristic | Min.   | Typ. | Max. | Units | Conditions          |                |
| LPRC @ 32.768 kHz <sup>(1)</sup> |                |  |      |      |       |                     |                |
| F21a                             | LPRC           | -20  | —    | +20  | %     | -40°C ≤ TA ≤ +85°C  | VDD = 3.0-3.6V |
| F21b                             | LPRC           | -70  | —    | +70  | %     | -40°C ≤ TA ≤ +125°C | VDD = 3.0-3.6V |

**Note 1:** The change of LPRC frequency as VDD changes.

FIGURE 25-3: I/O TIMING CHARACTERISTICS



TABLE 25-21: I/O TIMING REQUIREMENTS

| AC CHARACTERISTICS |        |  | Standard Operating Conditions: 3.0V to 3.6V<br>(unless otherwise stated)<br>Operating temperature $-40^{\circ}\text{C} \leq T_A \leq +85^{\circ}\text{C}$ for Industrial<br>$-40^{\circ}\text{C} \leq T_A \leq +125^{\circ}\text{C}$ for Extended |                     |      |       |   |
|--------------------|--------|--|---|---------------------|------|-------|---|
| Param.             | Symbol | Characteristic   | Min.  | Typ. <sup>(1)</sup> | Max. | Units | Conditions                                  |
| DO31               | TioR   | I/O Pins: 4x Sink Driver Pins<br>RA0-RA2, RB0-RB2, RB5-RB10,<br>RB15 | —   | 10                  | 25   | ns    | Refer to Figure 25-1<br>for test conditions |
|                    |        | I/O Pins: 16x Sink Driver Pins<br>RA3, RA4, RB3, RB4, RB11-RB14      | —   | 6                   | 15   | ns    |   |
| DO32               | TioF   | I/O Pins: 4x Sink Driver Pins<br>RA0-RA2, RB0-RB2, RB5-RB10,<br>RB15 | —   | 10                  | 25   | ns    | Refer to Figure 25-1<br>for test conditions |
|                    |        | I/O Pins: 16x Sink Driver Pins<br>RA3, RA4, RB3, RB4, RB11-RB14      | —   | 6                   | 15   | ns    |   |
| DI35               | TINP   | INTx Pin High or Low Time (input)                                    | 20  | —                   | —    | ns    |   |
| DI40               | TRBP   | CNx High or Low Time (input)   | 2   | —                   | —    | TcY   |   |

**Note 1:** Data in “Typ” column is at 3.3V, +25°C unless otherwise stated.

**FIGURE 25-4: RESET, WATCHDOG TIMER, OSCILLATOR START-UP TIMER AND POWER-UP TIMER TIMING CHARACTERISTICS**



**TABLE 25-22: RESET, WATCHDOG TIMER, OSCILLATOR START-UP TIMER, POWER-UP TIMER TIMING REQUIREMENTS**

| AC CHARACTERISTICS |                   |  | Standard Operating Conditions: 3.0V to 3.6V<br>(unless otherwise stated)<br>Operating temperature $-40^{\circ}\text{C} \leq T_A \leq +85^{\circ}\text{C}$ for Industrial<br>$-40^{\circ}\text{C} \leq T_A \leq +125^{\circ}\text{C}$ for Extended |                       |      |       |                                |
|--------------------|-------------------|--|---|-----------------------|------|-------|--------------------------------|
| Param.             | Symbol            | Characteristic <sup>(1)</sup>                            | Min.  | Typ. <sup>(2)</sup>   | Max. | Units | Conditions                     |
| SY10               | T <sub>MCLR</sub> | MCLR Pulse Width (low)                                   | 2   | —                     | —    | μs    | -40°C to +125°C                |
| SY11               | T <sub>PWRT</sub> | Power-up Timer Period                                    | —   | 64                    | —    | ms    | -40°C to +125°C                |
| SY12               | T <sub>POR</sub>  | Power-on Reset Delay                                     | 3   | 10                    | 30   | μs    | -40°C to +125°C                |
| SY13               | T <sub>IOZ</sub>  | I/O High-Impedance from MCLR Low or Watchdog Timer Reset | 0.68  | 0.72                  | 1.2  | μs    |                                |
| SY30               | T <sub>OST</sub>  | Oscillator Start-up Time                                 | —   | 1024 T <sub>osc</sub> | —    | —     | T <sub>osc</sub> = OSC1 period |

**Note 1:** These parameters are characterized but not tested in manufacturing.

**Note 2:** Data in "Typ" column is at 3.3V, +25°C unless otherwise stated.

FIGURE 25-5: TIMER1 AND TIMER2 EXTERNAL CLOCK TIMING CHARACTERISTICS



TABLE 25-23: TIMER1 EXTERNAL CLOCK TIMING REQUIREMENTS<sup>(1)</sup>

| AC CHARACTERISTICS |           |   | Standard Operating Conditions: 3.0V to 3.6V<br>(unless otherwise stated)<br>Operating temperature -40°C ≤ TA ≤ +85°C for Industrial<br>-40°C ≤ TA ≤ +125°C for Extended |   |               |       |            |   |
|--------------------|-----------|---|---|---|---------------|-------|------------|---|
| Param.             | Symbol    | Characteristic  | Min.  | Typ.                                      | Max.          | Units | Conditions |   |
| TA10               | TtXH      | TxCK High Time  | Synchronous, no prescaler   | Tcy + 20                                  | —             | —     | ns         | Must also meet Parameter TA15, N = prescale value (1, 8, 64, 256) |
|                    |           |   | Synchronous, with prescaler   | (Tcy + 20)/N                              | —             | —     | ns         |   |
|                    |           |   | Asynchronous  | 20  | —             | —     | ns         |   |
| TA11               | TtXL      | TxCK Low Time   | Synchronous, no prescaler   | Tcy + 20                                  | —             | —     | ns         | Must also meet Parameter TA15, N = prescale value (1, 8, 64, 256) |
|                    |           |   | Synchronous, with prescaler   | (Tcy + 20)/N                              | —             | —     | ns         |   |
|                    |           |   | Asynchronous  | 20  | —             | —     | ns         |   |
| TA15               | TtXP      | TxCK Input Period   | Synchronous, no prescaler   | 2 Tcy + 40                                | —             | —     | ns         | N = prescale value (1, 8, 64, 256)                                |
|                    |           |   | Synchronous, with prescaler   | Greater of:<br>40 ns or<br>(2 Tcy + 40)/N | —             | —     | —          |   |
|                    |           |   | Asynchronous  | 40  | —             | —     | ns         |   |
| OS60               | Ft1       | T1CK Oscillator Input Frequency Range (oscillator enabled by setting bit, TCS (T1CON<1>)) | DC  | —   | 50            | kHz   |            |   |
| TA20               | TckEXTMRL | Delay from External TxCK Clock Edge to Timer Increment                                    | 0.75 Tcy + 40   | —   | 1.75 Tcy + 40 | —     |            |   |

Note 1: Timer1 is a Type A.



**TABLE 25-24: TIMER2 EXTERNAL CLOCK TIMING REQUIREMENTS**

| AC CHARACTERISTICS |                       |   |                                | Standard Operating Conditions: 3.0V to 3.6V<br>(unless otherwise stated)<br>Operating temperature -40°C ≤ TA ≤ +85°C for Industrial<br>-40°C ≤ TA ≤ +125°C for Extended |      |                     |       |   |
|--------------------|-----------------------|---|--------------------------------|---|------|---------------------|-------|---|
| Param.             | Symbol                | Characteristic  |                                | Min.  | Typ. | Max.                | Units | Conditions  |
| TB10               | T <sub>TXH</sub>      | TxCK High Time  | Synchronous                    | Greater of:<br>20 ns or<br>(T <sub>CY</sub> + 20)/N   | —    | —                   | ns    | Must also meet<br>Parameter TB15<br>N = prescale<br>value (1, 8, 64, 256) |
| TB11               | T <sub>TXL</sub>      | TxCK Low Time   | Synchronous                    | Greater of:<br>20 ns or<br>(T <sub>CY</sub> + 20)/N   | —    | —                   | ns    | Must also meet<br>Parameter TB15<br>N = prescale<br>value (1, 8, 64, 256) |
| TB15               | T <sub>TXP</sub>      | TxCK Input Period   | Synchronous,<br>no prescaler   | T <sub>CY</sub> + 40  | —    | —                   | ns    | N = prescale<br>value (1, 8, 64, 256)                                     |
|                    |                       |   | Synchronous,<br>with prescaler | Greater of:<br>20 ns or<br>(T <sub>CY</sub> + 40)/N   |      |                     |       |   |
| TB20               | T <sub>CKEXTMRL</sub> | Delay from External TxCK Clock<br>Edge to Timer Increment |                                | 0.5 T <sub>CY</sub>   | —    | 1.5 T <sub>CY</sub> | —     |   |

FIGURE 25-6: INPUT CAPTURE (CAP1) TIMING CHARACTERISTICS



TABLE 25-25: INPUT CAPTURE TIMING REQUIREMENTS

| AC CHARACTERISTICS |        |                               |                | Standard Operating Conditions: 3.0V to 3.6V<br>(unless otherwise stated)<br>Operating temperature -40°C ≤ TA ≤ +85°C for Industrial<br>-40°C ≤ TA ≤ +125°C for Extended |      |       |                                  |
|--------------------|--------|-------------------------------|----------------|---|------|-------|----------------------------------|
| Param.             | Symbol | Characteristic <sup>(1)</sup> |                | Min.  | Max. | Units | Conditions                       |
| IC10               | TccL   | IC1 Input Low Time            | No prescaler   | 0.5 Tcy + 20  | —    | ns    |                                  |
|                    |        |                               | With prescaler | 10  | —    | ns    |                                  |
| IC11               | TccH   | IC1 Input High Time           | No prescaler   | 0.5 Tcy + 20  | —    | ns    |                                  |
|                    |        |                               | With prescaler | 10  | —    | ns    |                                  |
| IC15               | TccP   | IC1 Input Period              |                | (Tcy + 40)/N  | —    | ns    | N = prescale value<br>(1, 4, 16) |

Note 1: These parameters are characterized but not tested in manufacturing.

FIGURE 25-7: OUTPUT COMPARE MODULE (OC1) TIMING CHARACTERISTICS



TABLE 25-26: OUTPUT COMPARE MODULE TIMING REQUIREMENTS

| AC CHARACTERISTICS |        |                               |  | Standard Operating Conditions: 3.0V to 3.6V<br>(unless otherwise stated)<br>Operating temperature -40°C ≤ TA ≤ +85°C for Industrial<br>-40°C ≤ TA ≤ +125°C for Extended |      |      |       |                    |
|--------------------|--------|-------------------------------|--|---|------|------|-------|--------------------|
| Param.             | Symbol | Characteristic <sup>(1)</sup> |  | Min.  | Typ. | Max. | Units | Conditions         |
| OC10               | TccF   | OC1 Output Fall Time          |  | —   | —    | —    | ns    | See Parameter DO32 |
| OC11               | TccR   | OC1 Output Rise Time          |  | —   | —    | —    | ns    | See Parameter DO31 |

Note 1: These parameters are characterized but not tested in manufacturing.

FIGURE 25-8: OC/PWM MODULE TIMING CHARACTERISTICS



TABLE 25-27: SIMPLE OC/PWM MODE TIMING REQUIREMENTS

| AC CHARACTERISTICS |        |                               | Standard Operating Conditions: 3.0V to 3.6V<br>(unless otherwise stated)<br>Operating temperature $-40^{\circ}\text{C} \leq T_A \leq +85^{\circ}\text{C}$ for Industrial<br>$-40^{\circ}\text{C} \leq T_A \leq +125^{\circ}\text{C}$ for Extended |      |               |       |            |
|--------------------|--------|-------------------------------|---|------|---------------|-------|------------|
| Param.             | Symbol | Characteristic <sup>(1)</sup> | Min.  | Typ. | Max.          | Units | Conditions |
| OC15               | TFD    | Fault Input to PWM I/O Change | —   | —    | $T_{CY} + 20$ | ns    |            |
| OC20               | TFLT   | Fault Input Pulse Width       | $T_{CY} + 20$   | —    | —             | ns    |            |

**Note 1:** These parameters are characterized but not tested in manufacturing.

**FIGURE 25-9: HIGH-SPEED PWM MODULE FAULT TIMING CHARACTERISTICS**



**FIGURE 25-10: HIGH-SPEED PWM MODULE TIMING CHARACTERISTICS**



**TABLE 25-28: HIGH-SPEED PWM MODULE TIMING REQUIREMENTS**

| AC CHARACTERISTICS |                   |                                 | Standard Operating Conditions: 3.0V to 3.6V<br>(unless otherwise stated)<br>Operating temperature $-40^{\circ}\text{C} \leq T_A \leq +85^{\circ}\text{C}$ for Industrial<br>$-40^{\circ}\text{C} \leq T_A \leq +125^{\circ}\text{C}$ for Extended |      |      |       |   |
|--------------------|-------------------|---------------------------------|---|------|------|-------|---|
| Param.             | Symbol            | Characteristic <sup>(1)</sup>   | Min.  | Typ. | Max. | Units | Conditions  |
| MP10               | T <sub>FPWM</sub> | PWM Output Fall Time            | —   | 2.5  | —    | ns    |   |
| MP11               | T <sub>RPWM</sub> | PWM Output Rise Time            | —   | 2.5  | —    | ns    |   |
| MP20               | T <sub>FD</sub>   | Fault Input ↓ to PWM I/O Change | —   | —    | 15   | ns    |   |
| MP30               | T <sub>FH</sub>   | Minimum PWM Fault Pulse Width   | 8   | —    | —    | ns    | DTC<10> = 10  |
| MP31               | T <sub>PDLY</sub> | Tap Delay                       | 1.04  | —    | —    | ns    | A <sub>CLK</sub> = 120 MHz                          |
| MP32               | A <sub>CLK</sub>  | PWM Input Clock                 | —   | —    | 120  | MHz   | See <a href="#">Note 2</a> , <a href="#">Note 3</a> |

- Note 1:** These parameters are characterized but not tested in manufacturing.  
**Note 2:** This parameter is a maximum allowed input clock for the PWM module.  
**Note 3:** The maximum value for this parameter applies to dsPIC33FJ06GS101A/102A/202A/302 devices only.

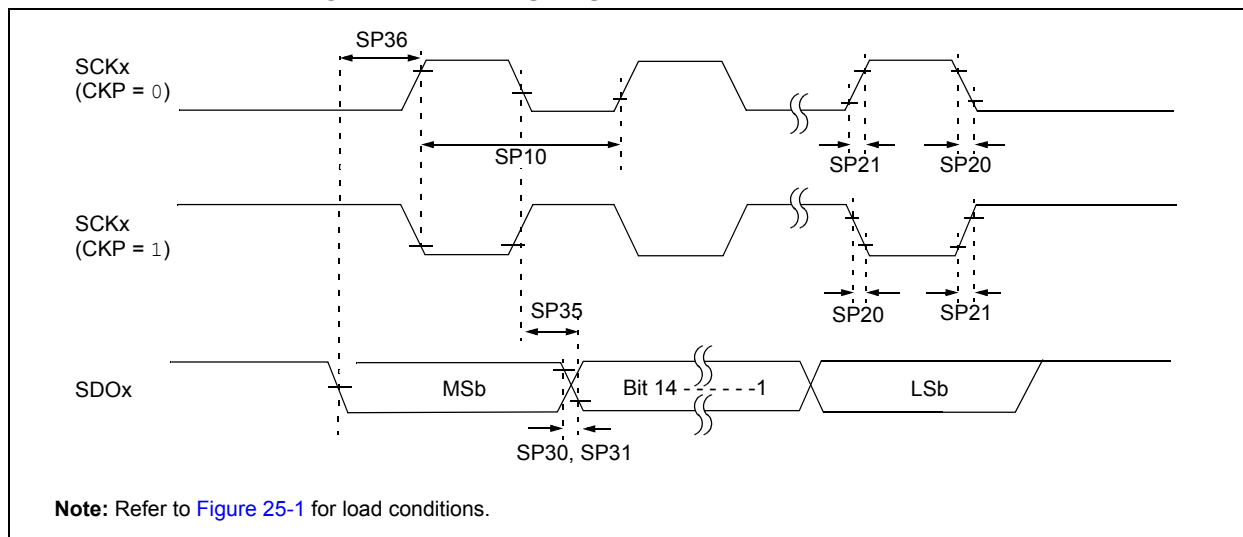
TABLE 25-29: SPIx MAXIMUM DATA/CLOCK RATE SUMMARY

| AC CHARACTERISTICS |                                    |                                       | Standard Operating Conditions: 3.0V to 3.6V<br>(unless otherwise stated)<br>Operating temperature -40°C ≤ TA ≤ +85°C for Industrial<br>-40°C ≤ TA ≤ +125°C for Extended |     |     |     |
|--------------------|------------------------------------|---------------------------------------|---|-----|-----|-----|
| Maximum Data Rate  | Master Transmit Only (Half-Duplex) | Master Transmit/Receive (Full-Duplex) | Slave Transmit/Receive (Full-Duplex)  | CKE | CKP | SMP |
| 15 MHz             | Table 25-30                        | —                                     | —   | 0,1 | 0,1 | 0,1 |
| 9 MHz              | —                                  | Table 25-31                           | —   | 1   | 0,1 | 1   |
| 9 MHz              | —                                  | Table 25-32                           | —   | 0   | 0,1 | 1   |
| 15 MHz             | —                                  | —                                     | Table 25-33   | 1   | 0   | 0   |
| 11 MHz             | —                                  | —                                     | Table 25-34   | 1   | 1   | 0   |
| 15 MHz             | —                                  | —                                     | Table 25-35   | 0   | 1   | 0   |
| 11 MHz             | —                                  | —                                     | Table 25-36   | 0   | 0   | 0   |

FIGURE 25-11: SPIx MASTER MODE (HALF-DUPLEX, TRANSMIT ONLY, CKE = 0) TIMING CHARACTERISTICS



**FIGURE 25-12: SPIx MASTER MODE (HALF-DUPLEX, TRANSMIT ONLY, CKE = 1) TIMING CHARACTERISTICS**



**TABLE 25-30: SPIx MASTER MODE (HALF-DUPLEX, TRANSMIT ONLY) TIMING REQUIREMENTS**

| AC CHARACTERISTICS |                       |   | Standard Operating Conditions: 3.0V to 3.6V<br>(unless otherwise stated)<br>Operating temperature -40°C ≤ TA ≤ +85°C for Industrial<br>-40°C ≤ TA ≤ +125°C for Extended |                    |     |       |                               |
|--------------------|-----------------------|---|---|--------------------|-----|-------|-------------------------------|
| Param No.          | Symbol                | Characteristic <sup>(1)</sup>             | Min   | Typ <sup>(2)</sup> | Max | Units | Conditions                    |
| SP10               | TscP                  | Maximum SCKx Frequency                    | —   | —                  | 15  | MHz   | See Note 3                    |
| SP20               | TscF                  | SCKx Output Fall Time                     | —   | —                  | —   | ns    | See Parameter DO32 and Note 4 |
| SP21               | TscR                  | SCKx Output Rise Time                     | —   | —                  | —   | ns    | See Parameter DO31 and Note 4 |
| SP30               | TdoF                  | SDOx Data Output Fall Time                | —   | —                  | —   | ns    | See Parameter DO32 and Note 4 |
| SP31               | TdoR                  | SDOx Data Output Rise Time                | —   | —                  | —   | ns    | See Parameter DO31 and Note 4 |
| SP35               | Tsch2doV,<br>TscL2doV | SDOx Data Output Valid after SCKx Edge    | —   | 6                  | 20  | ns    |                               |
| SP36               | TdiV2sch,<br>TdiV2scl | SDOx Data Output Setup to First SCKx Edge | 30  | —                  | —   | ns    |                               |

- Note 1:** These parameters are characterized, but are not tested in manufacturing.
- Note 2:** Data in “Typ” column is at 3.3V, 25°C unless otherwise stated.
- Note 3:** The minimum clock period for SCKx is 66.7 ns. Therefore, the clock generated in master mode must not violate this specification.
- Note 4:** Assumes 50 pF load on all SPIx pins.

**FIGURE 25-13: SPIx MASTER MODE (FULL-DUPLEX, CKE = 1, CKP = x, SMP = 1) TIMING CHARACTERISTICS**



**TABLE 25-31: SPIx MASTER MODE (FULL-DUPLEX, CKE = 1, CKP = x, SMP = 1) TIMING REQUIREMENTS**

| AC CHARACTERISTICS |                       |  | Standard Operating Conditions: 3.0V to 3.6V<br>(unless otherwise stated)<br>Operating temperature $-40^{\circ}\text{C} \leq T_A \leq +85^{\circ}\text{C}$ for Industrial<br>$-40^{\circ}\text{C} \leq T_A \leq +125^{\circ}\text{C}$ for Extended |                    |     |       |   |
|--------------------|-----------------------|--|---|--------------------|-----|-------|---|
| Param No.          | Symbol                | Characteristic <sup>(1)</sup>              | Min   | Typ <sup>(2)</sup> | Max | Units | Conditions  |
| SP10               | TscP                  | Maximum SCKx Frequency                     | —   | —                  | 9   | MHz   | See <a href="#">Note 3</a>                                    |
| SP20               | TscF                  | SCKx Output Fall Time                      | —   | —                  | —   | ns    | See Parameter <a href="#">DO32</a> and <a href="#">Note 4</a> |
| SP21               | TscR                  | SCKx Output Rise Time                      | —   | —                  | —   | ns    | See Parameter <a href="#">DO31</a> and <a href="#">Note 4</a> |
| SP30               | TdoF                  | SDOx Data Output Fall Time                 | —   | —                  | —   | ns    | See Parameter <a href="#">DO32</a> and <a href="#">Note 4</a> |
| SP31               | TdoR                  | SDOx Data Output Rise Time                 | —   | —                  | —   | ns    | See Parameter <a href="#">DO31</a> and <a href="#">Note 4</a> |
| SP35               | Tsch2doV,<br>TscL2doV | SDOx Data Output Valid after SCKx Edge     | —   | 6                  | 20  | ns    |   |
| SP36               | TdoV2sc,<br>TdoV2scL  | SDOx Data Output Setup to First SCKx Edge  | 30  | —                  | —   | ns    |   |
| SP40               | TdiV2scH,<br>TdiV2scL | Setup Time of SDIx Data Input to SCKx Edge | 30  | —                  | —   | ns    |   |
| SP41               | Tsch2diL,<br>TscL2diL | Hold Time of SDIx Data Input to SCKx Edge  | 30  | —                  | —   | ns    |   |

**Note 1:** These parameters are characterized, but are not tested in manufacturing.

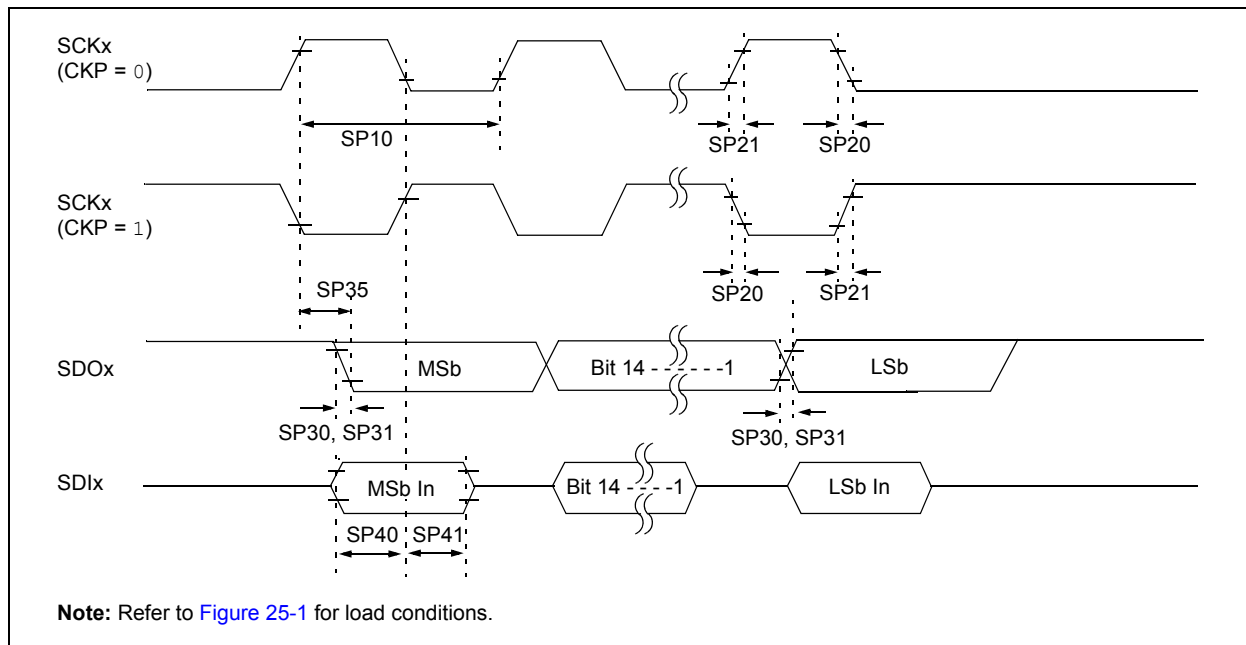
**Note 2:** Data in “Typ” column is at 3.3V, 25°C unless otherwise stated.

**Note 3:** The minimum clock period for SCKx is 111 ns. The clock generated in master mode must not violate this specification.

**Note 4:** Assumes 50 pF load on all SPIx pins.

# dsPIC33FJ06GS001/101A/102A/202A and dsPIC33FJ09GS302

**FIGURE 25-14: SPIx MASTER MODE (FULL-DUPLEX, CKE = 0, CKP = x, SMP = 1) TIMING CHARACTERISTICS**



**TABLE 25-32: SPIx MASTER MODE (FULL-DUPLEX, CKE = 0, CKP = x, SMP = 1) TIMING REQUIREMENTS**

| AC CHARACTERISTICS |                       |  | Standard Operating Conditions: 3.0V to 3.6V<br>(unless otherwise stated)<br>Operating temperature -40°C ≤ TA ≤ +85°C for Industrial<br>-40°C ≤ TA ≤ +125°C for Extended |                    |     |       |   |
|--------------------|-----------------------|--|---|--------------------|-----|-------|---|
| Param No.          | Symbol                | Characteristic <sup>(1)</sup>              | Min   | Typ <sup>(2)</sup> | Max | Units | Conditions  |
| SP10               | TscP                  | Maximum SCKx Frequency                     | —   | —                  | 9   | MHz   | -40°C to +125°C and see <a href="#">Note 3</a>                |
| SP20               | TscF                  | SCKx Output Fall Time                      | —   | —                  | —   | ns    | See Parameter <a href="#">DO32</a> and <a href="#">Note 4</a> |
| SP21               | TscR                  | SCKx Output Rise Time                      | —   | —                  | —   | ns    | See Parameter <a href="#">DO31</a> and <a href="#">Note 4</a> |
| SP30               | TdoF                  | SDOx Data Output Fall Time                 | —   | —                  | —   | ns    | See Parameter <a href="#">DO32</a> and <a href="#">Note 4</a> |
| SP31               | TdoR                  | SDOx Data Output Rise Time                 | —   | —                  | —   | ns    | See Parameter <a href="#">DO31</a> and <a href="#">Note 4</a> |
| SP35               | Tsch2doV,<br>TscL2doV | SDOx Data Output Valid after SCKx Edge     | —   | 6                  | 20  | ns    |   |
| SP36               | TdoV2scH,<br>TdoV2scL | SDOx Data Output Setup to First SCKx Edge  | 30  | —                  | —   | ns    |   |
| SP40               | TdiV2scH,<br>TdiV2scL | Setup Time of SDIx Data Input to SCKx Edge | 30  | —                  | —   | ns    |   |
| SP41               | Tsch2diL,<br>TscL2diL | Hold Time of SDIx Data Input to SCKx Edge  | 30  | —                  | —   | ns    |   |

**Note 1:** These parameters are characterized, but are not tested in manufacturing.

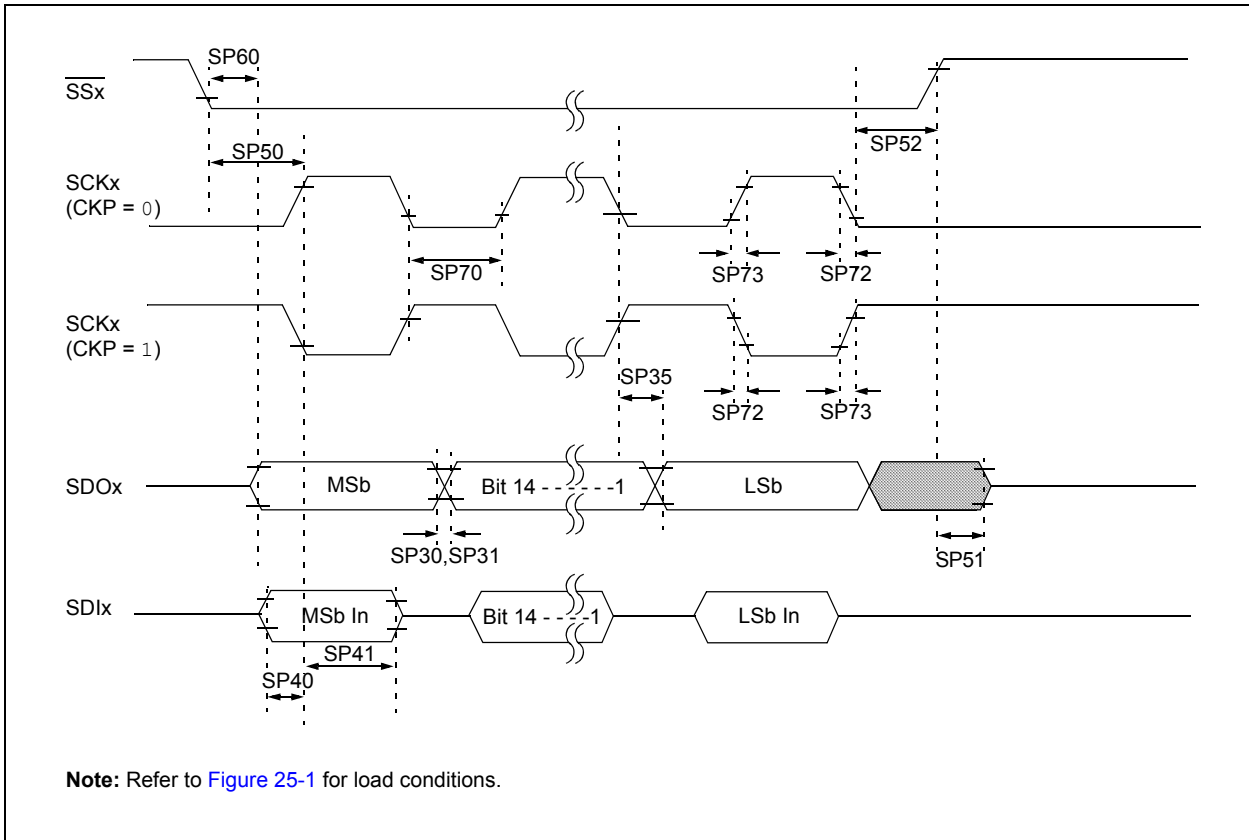
**Note 2:** Data in “Typ” column is at 3.3V, 25°C unless otherwise stated.

**Note 3:** The minimum clock period for SCKx is 111 ns. The clock generated in master mode must not violate this specification.

**Note 4:** Assumes 50 pF load on all SPIx pins.



**FIGURE 25-15: SPIx SLAVE MODE (FULL-DUPLEX, CKE = 1, CKP = 0, SMP = 0)**  
**TIMING CHARACTERISTICS**



# dsPIC33FJ06GS001/101A/102A/202A and dsPIC33FJ09GS302

**TABLE 25-33: SPIx SLAVE MODE (FULL-DUPLEX, CKE = 1, CKP = 0, SMP = 0)  
TIMING REQUIREMENTS**

| AC CHARACTERISTICS |                       |   | Standard Operating Conditions: 3.0V to 3.6V<br>(unless otherwise stated)<br>Operating temperature $-40^{\circ}\text{C} \leq T_A \leq +85^{\circ}\text{C}$ for Industrial<br>$-40^{\circ}\text{C} \leq T_A \leq +125^{\circ}\text{C}$ for Extended |                    |     |       |  |
|--------------------|-----------------------|---|---|--------------------|-----|-------|--|
| Param No.          | Symbol                | Characteristic <sup>(1)</sup>                                       | Min   | Typ <sup>(2)</sup> | Max | Units | Conditions   |
| SP70               | TscP                  | Maximum SCKx Input Frequency  | —   | —                  | 15  | MHz   | See <b>Note 3</b>                                    |
| SP72               | TscF                  | SCKx Input Fall Time  | —   | —                  | —   | ns    | See Parameter <a href="#">DO32</a> and <b>Note 4</b> |
| SP73               | TscR                  | SCKx Input Rise Time  | —   | —                  | —   | ns    | See Parameter <a href="#">DO31</a> and <b>Note 4</b> |
| SP30               | TdoF                  | SDOx Data Output Fall Time  | —   | —                  | —   | ns    | See Parameter <a href="#">DO32</a> and <b>Note 4</b> |
| SP31               | TdoR                  | SDOx Data Output Rise Time  | —   | —                  | —   | ns    | See Parameter <a href="#">DO31</a> and <b>Note 4</b> |
| SP35               | Tsch2doV,<br>TscL2doV | SDOx Data Output Valid after SCKx Edge                              | —   | 6                  | 20  | ns    |  |
| SP36               | TdoV2sch,<br>TdoV2scL | SDOx Data Output Setup to First SCKx Edge                           | 30  | —                  | —   | ns    |  |
| SP40               | TdiV2sch,<br>TdiV2scL | Setup Time of SDIx Data Input to SCKx Edge                          | 30  | —                  | —   | ns    |  |
| SP41               | Tsch2diL,<br>TscL2diL | Hold Time of SDIx Data Input to SCKx Edge                           | 30  | —                  | —   | ns    |  |
| SP50               | TssL2sch,<br>TssL2scL | $\overline{\text{SSx}} \downarrow$ to SCKx $\uparrow$ or SCKx Input | 120   | —                  | —   | ns    |  |
| SP51               | TssH2doZ              | $\overline{\text{SSx}} \uparrow$ to SDOx Output High-Impedance      | 10  | —                  | 50  | ns    | See <b>Note 4</b>                                    |
| SP52               | Tsch2ssH<br>TscL2ssH  | $\overline{\text{SSx}}$ after SCKx Edge                             | $1.5 T_{CY} + 40$   | —                  | —   | ns    | See <b>Note 4</b>                                    |
| SP60               | TssL2doV              | SDOx Data Output Valid after $\overline{\text{SSx}}$ Edge           | —   | —                  | 50  | ns    |  |

**Note 1:** These parameters are characterized, but are not tested in manufacturing.

**2:** Data in “Typ” column is at 3.3V, 25°C unless otherwise stated.

**3:** The minimum clock period for SCKx is 66.7 ns. Therefore, the SCKx clock generated by the master must not violate this specification.

**4:** Assumes 50 pF load on all SPIx pins.

**FIGURE 25-16: SPIx SLAVE MODE (FULL-DUPLEX, CKE = 1, CKP = 1, SMP = 0) TIMING CHARACTERISTICS**



# dsPIC33FJ06GS001/101A/102A/202A and dsPIC33FJ09GS302

**TABLE 25-34: SPIx SLAVE MODE (FULL-DUPLEX, CKE = 1, CKP = 1, SMP = 0)  
TIMING REQUIREMENTS**

| AC CHARACTERISTICS |                       |  | Standard Operating Conditions: 3.0V to 3.6V<br>(unless otherwise stated)<br>Operating temperature -40°C ≤ TA ≤ +85°C for Industrial<br>-40°C ≤ TA ≤ +125°C for Extended |                    |     |       |   |
|--------------------|-----------------------|--|---|--------------------|-----|-------|---|
| Param No.          | Symbol                | Characteristic <sup>(1)</sup>                                | Min   | Typ <sup>(2)</sup> | Max | Units | Conditions                                  |
| SP70               | TscP                  | Maximum SCKx Input Frequency                                 | —   | —                  | 11  | MHz   | See <b>Note 3</b>                           |
| SP72               | TscF                  | SCKx Input Fall Time   | —   | —                  | —   | ns    | See Parameter <b>DO32</b> and <b>Note 4</b> |
| SP73               | TscR                  | SCKx Input Rise Time   | —   | —                  | —   | ns    | See Parameter <b>DO31</b> and <b>Note 4</b> |
| SP30               | TdoF                  | SDOx Data Output Fall Time                                   | —   | —                  | —   | ns    | See Parameter <b>DO32</b> and <b>Note 4</b> |
| SP31               | TdoR                  | SDOx Data Output Rise Time                                   | —   | —                  | —   | ns    | See Parameter <b>DO31</b> and <b>Note 4</b> |
| SP35               | Tsch2doV,<br>TscL2doV | SDOx Data Output Valid after SCKx Edge                       | —   | 6                  | 20  | ns    |   |
| SP36               | TdoV2scH,<br>TdoV2scL | SDOx Data Output Setup to First SCKx Edge                    | 30  | —                  | —   | ns    |   |
| SP40               | TdiV2scH,<br>TdiV2scL | Setup Time of SDIx Data Input to SCKx Edge                   | 30  | —                  | —   | ns    |   |
| SP41               | Tsch2diL,<br>TscL2diL | Hold Time of SDIx Data Input to SCKx Edge                    | 30  | —                  | —   | ns    |   |
| SP50               | TssL2scH,<br>TssL2scL | $\overline{SSx} \downarrow$ to SCKx $\uparrow$ or SCKx Input | 120   | —                  | —   | ns    |   |
| SP51               | TssH2doZ              | $\overline{SSx} \uparrow$ to SDOx Output High-Impedance      | 10  | —                  | 50  | ns    | See <b>Note 4</b>                           |
| SP52               | Tsch2ssH<br>TscL2ssH  | $\overline{SSx}$ after SCKx Edge                             | 1.5 T <sub>CY</sub> + 40  | —                  | —   | ns    | See <b>Note 4</b>                           |
| SP60               | TssL2doV              | SDOx Data Output Valid after $\overline{SSx}$ Edge           | —   | —                  | 50  | ns    |   |

**Note 1:** These parameters are characterized, but are not tested in manufacturing.

**Note 2:** Data in “Typ” column is at 3.3V, 25°C unless otherwise stated.

**Note 3:** The minimum clock period for SCKx is 91 ns. Therefore, the SCKx clock generated by the master must not violate this specification.

**Note 4:** Assumes 50 pF load on all SPIx pins.

**FIGURE 25-17: SPIx SLAVE MODE (FULL-DUPLEX CKE = 0, CKP = 1, SMP = 0)**  
**TIMING CHARACTERISTICS**



# dsPIC33FJ06GS001/101A/102A/202A and dsPIC33FJ09GS302

**TABLE 25-35: SPIx SLAVE MODE (FULL-DUPLEX, CKE = 0, CKP = 1, SMP = 0)  
TIMING REQUIREMENTS**

| AC CHARACTERISTICS |                       |  | Standard Operating Conditions: 3.0V to 3.6V<br>(unless otherwise stated)<br>Operating temperature $-40^{\circ}\text{C} \leq T_A \leq +85^{\circ}\text{C}$ for Industrial<br>$-40^{\circ}\text{C} \leq T_A \leq +125^{\circ}\text{C}$ for Extended |                    |     |       |  |
|--------------------|-----------------------|--|---|--------------------|-----|-------|--|
| Param No.          | Symbol                | Characteristic <sup>(1)</sup>  | Min   | Typ <sup>(2)</sup> | Max | Units | Conditions   |
| SP70               | TscP                  | Maximum SCKx Input Frequency   | —   | —                  | 15  | MHz   | See <b>Note 3</b>                                    |
| SP72               | TscF                  | SCKx Input Fall Time   | —   | —                  | —   | ns    | See Parameter <a href="#">DO32</a> and <b>Note 4</b> |
| SP73               | TscR                  | SCKx Input Rise Time   | —   | —                  | —   | ns    | See Parameter <a href="#">DO31</a> and <b>Note 4</b> |
| SP30               | TdoF                  | SDOx Data Output Fall Time   | —   | —                  | —   | ns    | See Parameter <a href="#">DO32</a> and <b>Note 4</b> |
| SP31               | TdoR                  | SDOx Data Output Rise Time   | —   | —                  | —   | ns    | See Parameter <a href="#">DO31</a> and <b>Note 4</b> |
| SP35               | Tsch2doV,<br>TscL2doV | SDOx Data Output Valid after SCKx Edge                               | —   | 6                  | 20  | ns    |  |
| SP36               | TdoV2sch,<br>TdoV2scL | SDOx Data Output Setup to First SCKx Edge                            | 30  | —                  | —   | ns    |  |
| SP40               | TdiV2sch,<br>TdiV2scL | Setup Time of SDIx Data Input to SCKx Edge                           | 30  | —                  | —   | ns    |  |
| SP41               | Tsch2diL,<br>TscL2diL | Hold Time of SDIx Data Input to SCKx Edge                            | 30  | —                  | —   | ns    |  |
| SP50               | TssL2sch,<br>TssL2scL | $\overline{\text{SS}}_x \downarrow$ to SCKx $\uparrow$ or SCKx Input | 120   | —                  | —   | ns    |  |
| SP51               | TssH2doZ              | $\overline{\text{SS}}_x \uparrow$ to SDOx Output High-Impedance      | 10  | —                  | 50  | ns    | See <b>Note 4</b>                                    |
| SP52               | Tsch2ssH<br>TscL2ssH  | $\overline{\text{SS}}_x$ after SCKx Edge                             | $1.5 T_{CY} + 40$   | —                  | —   | ns    | See <b>Note 4</b>                                    |

**Note 1:** These parameters are characterized, but are not tested in manufacturing.

**2:** Data in “Typ” column is at 3.3V, 25°C unless otherwise stated.

**3:** The minimum clock period for SCKx is 66.7 ns. Therefore, the SCKx clock generated by the master must not violate this specification.

**4:** Assumes 50 pF load on all SPIx pins.

**FIGURE 25-18: SPIx SLAVE MODE (FULL-DUPLEX, CKE = 0, CKP = 0, SMP = 0) TIMING CHARACTERISTICS**



# dsPIC33FJ06GS001/101A/102A/202A and dsPIC33FJ09GS302

**TABLE 25-36: SPIx SLAVE MODE (FULL-DUPLEX, CKE = 0, CKP = 0, SMP = 0)  
TIMING REQUIREMENTS**

| AC CHARACTERISTICS |                       |  | Standard Operating Conditions: 3.0V to 3.6V<br>(unless otherwise stated)<br>Operating temperature -40°C ≤ TA ≤ +85°C for Industrial<br>-40°C ≤ TA ≤ +125°C for Extended |                    |     |       |   |
|--------------------|-----------------------|--|---|--------------------|-----|-------|---|
| Param No.          | Symbol                | Characteristic <sup>(1)</sup>                    | Min   | Typ <sup>(2)</sup> | Max | Units | Conditions                                  |
| SP70               | TscP                  | Maximum SCKx Input Frequency                     | —   | —                  | 11  | MHz   | See <b>Note 3</b>                           |
| SP72               | TscF                  | SCKx Input Fall Time                             | —   | —                  | —   | ns    | See Parameter <b>DO32</b> and <b>Note 4</b> |
| SP73               | TscR                  | SCKx Input Rise Time                             | —   | —                  | —   | ns    | See Parameter <b>DO31</b> and <b>Note 4</b> |
| SP30               | TdoF                  | SDOx Data Output Fall Time                       | —   | —                  | —   | ns    | See Parameter <b>DO32</b> and <b>Note 4</b> |
| SP31               | TdoR                  | SDOx Data Output Rise Time                       | —   | —                  | —   | ns    | See Parameter <b>DO31</b> and <b>Note 4</b> |
| SP35               | Tsch2doV,<br>TscL2doV | SDOx Data Output Valid after SCKx Edge           | —   | 6                  | 20  | ns    |   |
| SP36               | TdoV2scH,<br>TdoV2scL | SDOx Data Output Setup to First SCKx Edge        | 30  | —                  | —   | ns    |   |
| SP40               | TdiV2scH,<br>TdiV2scL | Setup Time of SDIx Data Input to SCKx Edge       | 30  | —                  | —   | ns    |   |
| SP41               | Tsch2diL,<br>TscL2diL | Hold Time of SDIx Data Input to SCKx Edge        | 30  | —                  | —   | ns    |   |
| SP50               | TssL2scH,<br>TssL2scL | $\overline{SSx}$ ↓ to SCKx ↑ or SCKx Input       | 120   | —                  | —   | ns    |   |
| SP51               | TssH2doZ              | $\overline{SSx}$ ↑ to SDOx Output High-Impedance | 10  | —                  | 50  | ns    | See <b>Note 4</b>                           |
| SP52               | Tsch2ssH<br>TscL2ssH  | $\overline{SSx}$ after SCKx Edge                 | 1.5 T <sub>CY</sub> + 40  | —                  | —   | ns    | See <b>Note 4</b>                           |

**Note 1:** These parameters are characterized, but are not tested in manufacturing.

**2:** Data in “Typ” column is at 3.3V, 25°C unless otherwise stated.

**3:** The minimum clock period for SCKx is 91 ns. Therefore, the SCKx clock generated by the master must not violate this specification.

**4:** Assumes 50 pF load on all SPIx pins.



FIGURE 25-19: I2C1 BUS START/STOP BITS TIMING CHARACTERISTICS (MASTER MODE)



FIGURE 25-20: I2C1 BUS DATA TIMING CHARACTERISTICS (MASTER MODE)



# dsPIC33FJ06GS001/101A/102A/202A and dsPIC33FJ09GS302

**TABLE 25-37: I2C1 BUS DATA TIMING REQUIREMENTS (MASTER MODE)**

| AC CHARACTERISTICS |         |                            |                           | Standard Operating Conditions: 3.0V to 3.6V<br>(unless otherwise stated)<br>Operating temperature -40°C ≤ TA ≤ +85°C for Industrial<br>-40°C ≤ TA ≤ +125°C for Extended |      |       |   |
|--------------------|---------|----------------------------|---------------------------|---|------|-------|---|
| Param.             | Symbol  | Characteristic             |                           | Min. <sup>(1)</sup>   | Max. | Units | Conditions  |
| IM10               | TLO:SCL | Clock Low Time             | 100 kHz mode              | T <sub>CY</sub> /2 (BRG + 1)  | —    | μs    |   |
|                    |         |                            | 400 kHz mode              | T <sub>CY</sub> /2 (BRG + 1)  | —    | μs    |   |
|                    |         |                            | 1 MHz mode <sup>(2)</sup> | T <sub>CY</sub> /2 (BRG + 1)  | —    | μs    |   |
| IM11               | THI:SCL | Clock High Time            | 100 kHz mode              | T <sub>CY</sub> /2 (BRG + 1)  | —    | μs    |   |
|                    |         |                            | 400 kHz mode              | T <sub>CY</sub> /2 (BRG + 1)  | —    | μs    |   |
|                    |         |                            | 1 MHz mode <sup>(2)</sup> | T <sub>CY</sub> /2 (BRG + 1)  | —    | μs    |   |
| IM20               | TF:SCL  | SDA1 and SCL1 Fall Time    | 100 kHz mode              | —   | 300  | ns    | Cb is specified to be from 10 pF to 400 pF                    |
|                    |         |                            | 400 kHz mode              | 20 + 0.1 Cb   | 300  | ns    |   |
|                    |         |                            | 1 MHz mode <sup>(2)</sup> | —   | 100  | ns    |   |
| IM21               | TR:SCL  | SDA1 and SCL1 Rise Time    | 100 kHz mode              | —   | 1000 | ns    | Cb is specified to be from 10 pF to 400 pF                    |
|                    |         |                            | 400 kHz mode              | 20 + 0.1 Cb   | 300  | ns    |   |
|                    |         |                            | 1 MHz mode <sup>(2)</sup> | —   | 300  | ns    |   |
| IM25               | TSU:DAT | Data Input Setup Time      | 100 kHz mode              | 250   | —    | ns    |   |
|                    |         |                            | 400 kHz mode              | 100   | —    | ns    |   |
|                    |         |                            | 1 MHz mode <sup>(2)</sup> | 40  | —    | ns    |   |
| IM26               | THD:DAT | Data Input Hold Time       | 100 kHz mode              | 0   | —    | μs    |   |
|                    |         |                            | 400 kHz mode              | 0   | 0.9  | μs    |   |
|                    |         |                            | 1 MHz mode <sup>(2)</sup> | 0.2   | —    | μs    |   |
| IM30               | TSU:STA | Start Condition Setup Time | 100 kHz mode              | T <sub>CY</sub> /2 (BRG + 1)  | —    | μs    | Only relevant for Repeated Start condition                    |
|                    |         |                            | 400 kHz mode              | T <sub>CY</sub> /2 (BRG + 1)  | —    | μs    |   |
|                    |         |                            | 1 MHz mode <sup>(2)</sup> | T <sub>CY</sub> /2 (BRG + 1)  | —    | μs    |   |
| IM31               | THD:STA | Start Condition Hold Time  | 100 kHz mode              | T <sub>CY</sub> /2 (BRG + 1)  | —    | μs    | After this period the first clock pulse is generated          |
|                    |         |                            | 400 kHz mode              | T <sub>CY</sub> /2 (BRG + 1)  | —    | μs    |   |
|                    |         |                            | 1 MHz mode <sup>(2)</sup> | T <sub>CY</sub> /2 (BRG + 1)  | —    | μs    |   |
| IM33               | TSU:STO | Stop Condition Setup Time  | 100 kHz mode              | T <sub>CY</sub> /2 (BRG + 1)  | —    | μs    |   |
|                    |         |                            | 400 kHz mode              | T <sub>CY</sub> /2 (BRG + 1)  | —    | μs    |   |
|                    |         |                            | 1 MHz mode <sup>(2)</sup> | T <sub>CY</sub> /2 (BRG + 1)  | —    | μs    |   |
| IM34               | THD:STO | Stop Condition Hold Time   | 100 kHz mode              | T <sub>CY</sub> /2 (BRG + 1)  | —    | ns    |   |
|                    |         |                            | 400 kHz mode              | T <sub>CY</sub> /2 (BRG + 1)  | —    | ns    |   |
|                    |         |                            | 1 MHz mode <sup>(2)</sup> | T <sub>CY</sub> /2 (BRG + 1)  | —    | ns    |   |
| IM40               | TAA:SCL | Output Valid From Clock    | 100 kHz mode              | —   | 3500 | ns    |   |
|                    |         |                            | 400 kHz mode              | —   | 1000 | ns    |   |
|                    |         |                            | 1 MHz mode <sup>(2)</sup> | —   | 400  | ns    |   |
| IM45               | TBF:SDA | Bus Free Time              | 100 kHz mode              | 4.7   | —    | μs    | Time the bus must be free before a new transmission can start |
|                    |         |                            | 400 kHz mode              | 1.3   | —    | μs    |   |
|                    |         |                            | 1 MHz mode <sup>(2)</sup> | 0.5   | —    | μs    |   |
| IM50               | CB      | Bus Capacitive Loading     |                           | —   | 400  | pF    |   |
| IM51               | TPGD    | Pulse Gobbler Delay        |                           | 65  | 390  | ns    | See <b>Note 3</b>   |

**Note 1:** BRG is the value of the I<sup>2</sup>C™ Baud Rate Generator. Refer to **Section 19. “Inter-Integrated Circuit (I<sup>2</sup>C™)”** (DS70195) in the “*dsPIC33F/PIC24H Family Reference Manual*”.

**2:** Maximum pin capacitance = 10 pF for all I2C1 pins (for 1 MHz mode only).

**3:** Typical value for this parameter is 130 ns.

FIGURE 25-21: I2C1 BUS START/STOP BITS TIMING CHARACTERISTICS (SLAVE MODE)



FIGURE 25-22: I2C1 BUS DATA TIMING CHARACTERISTICS (SLAVE MODE)



# dsPIC33FJ06GS001/101A/102A/202A and dsPIC33FJ09GS302

**TABLE 25-38: I2C1 BUS DATA TIMING REQUIREMENTS (SLAVE MODE)**

| AC CHARACTERISTICS |         |                            |                           | Standard Operating Conditions: 3.0V to 3.6V<br>(unless otherwise stated)<br>Operating temperature -40°C ≤ TA ≤ +85°C for Industrial<br>-40°C ≤ TA ≤ +125°C for Extended |      |       |   |
|--------------------|---------|----------------------------|---------------------------|---|------|-------|---|
| Param.             | Symbol  | Characteristic             |                           | Min.  | Max. | Units | Conditions  |
| IS10               | TLO:SCL | Clock Low Time             | 100 kHz mode              | 4.7   | —    | μs    | Device must operate at a minimum of 1.5 MHz                   |
|                    |         |                            | 400 kHz mode              | 1.3   | —    | μs    | Device must operate at a minimum of 10 MHz                    |
|                    |         |                            | 1 MHz mode <sup>(1)</sup> | 0.5   | —    | μs    |   |
| IS11               | THI:SCL | Clock High Time            | 100 kHz mode              | 4.0   | —    | μs    | Device must operate at a minimum of 1.5 MHz                   |
|                    |         |                            | 400 kHz mode              | 0.6   | —    | μs    | Device must operate at a minimum of 10 MHz                    |
|                    |         |                            | 1 MHz mode <sup>(2)</sup> | 0.5   | —    | μs    |   |
| IS20               | TF:SCL  | SDA1 and SCL1 Fall Time    | 100 kHz mode              | —   | 300  | ns    | Cb is specified to be from 10 pF to 400 pF                    |
|                    |         |                            | 400 kHz mode              | 20 + 0.1 Cb   | 300  | ns    |   |
|                    |         |                            | 1 MHz mode <sup>(2)</sup> | —   | 100  | ns    |   |
| IS21               | TR:SCL  | SDA1 and SCL1 Rise Time    | 100 kHz mode              | —   | 1000 | ns    | Cb is specified to be from 10 pF to 400 pF                    |
|                    |         |                            | 400 kHz mode              | 20 + 0.1 Cb   | 300  | ns    |   |
|                    |         |                            | 1 MHz mode <sup>(2)</sup> | —   | 300  | ns    |   |
| IS25               | TSU:DAT | Data Input Setup Time      | 100 kHz mode              | 250   | —    | ns    |   |
|                    |         |                            | 400 kHz mode              | 100   | —    | ns    |   |
|                    |         |                            | 1 MHz mode <sup>(2)</sup> | 100   | —    | ns    |   |
| IS26               | THD:DAT | Data Input Hold Time       | 100 kHz mode              | 0   | —    | μs    |   |
|                    |         |                            | 400 kHz mode              | 0   | 0.9  | μs    |   |
|                    |         |                            | 1 MHz mode <sup>(2)</sup> | 0   | 0.3  | μs    |   |
| IS30               | TSU:STA | Start Condition Setup Time | 100 kHz mode              | 4.7   | —    | μs    | Only relevant for Repeated Start condition                    |
|                    |         |                            | 400 kHz mode              | 0.6   | —    | μs    |   |
|                    |         |                            | 1 MHz mode <sup>(2)</sup> | 0.25  | —    | μs    |   |
| IS31               | THD:STA | Start Condition Hold Time  | 100 kHz mode              | 4.0   | —    | μs    | After this period, the first clock pulse is generated         |
|                    |         |                            | 400 kHz mode              | 0.6   | —    | μs    |   |
|                    |         |                            | 1 MHz mode <sup>(2)</sup> | 0.25  | —    | μs    |   |
| IS33               | TSU:STO | Stop Condition Setup Time  | 100 kHz mode              | 4.7   | —    | μs    |   |
|                    |         |                            | 400 kHz mode              | 0.6   | —    | μs    |   |
|                    |         |                            | 1 MHz mode <sup>(2)</sup> | 0.6   | —    | μs    |   |
| IS34               | THD:STO | Stop Condition Hold Time   | 100 kHz mode              | 4000  | —    | ns    |   |
|                    |         |                            | 400 kHz mode              | 600   | —    | ns    |   |
|                    |         |                            | 1 MHz mode <sup>(2)</sup> | 250   | —    | ns    |   |
| IS40               | TAA:SCL | Output Valid From Clock    | 100 kHz mode              | 0   | 3500 | ns    |   |
|                    |         |                            | 400 kHz mode              | 0   | 1000 | ns    |   |
|                    |         |                            | 1 MHz mode <sup>(2)</sup> | 0   | 350  | ns    |   |
| IS45               | TBF:SDA | Bus Free Time              | 100 kHz mode              | 4.7   | —    | μs    | Time the bus must be free before a new transmission can start |
|                    |         |                            | 400 kHz mode              | 1.3   | —    | μs    |   |
|                    |         |                            | 1 MHz mode <sup>(2)</sup> | 0.5   | —    | μs    |   |
| IS50               | Cb      | Bus Capacitive Loading     |                           | —   | 400  | pF    |   |

**Note 1:** Maximum pin capacitance = 10 pF for all I2C1 pins (for 1 MHz mode only).

# dsPIC33FJ06GS001/101A/102A/202A and dsPIC33FJ09GS302

**TABLE 25-39: 10-BIT HIGH-SPEED ADC MODULE SPECIFICATIONS**

| AC CHARACTERISTICS <sup>(2)</sup>                       |                       |  | Standard Operating Conditions: 3.0V and 3.6V<br>(unless otherwise stated)<br>Operating temperature -40°C ≤ T <sub>A</sub> ≤ +85°C for Industrial<br>-40°C ≤ T <sub>A</sub> ≤ +125°C for Extended |           |                  |       |  |
|---|-----------------------|--|--|-----------|------------------|-------|--|
| Param.  | Symbol                | Characteristic                                 | Min.   | Typ.      | Max.             | Units | Conditions   |
| <b>Device Supply</b>                                    |                       |  |  |           |                  |       |  |
| AD01  | AVDD                  | Module VDD Supply                              | —  | —         | —                | —     | AVDD is internally connected to VDD on 18-pin and 28-pin devices. See parameters (DC10) in Table 25-4. |
| AD02  | AVSS                  | Module VSS Supply                              | —  | —         | —                | —     | AVSS is internally connected to VSS on 18-pin and 28-pin devices                                       |
| <b>Analog Input</b>                                     |                       |  |  |           |                  |       |  |
| AD10  | V <sub>INH-VINL</sub> | Full-Scale Input Span                          | V <sub>SS</sub>  | —         | V <sub>DD</sub>  | V     |  |
| AD11  | V <sub>IN</sub>       | Absolute Input Voltage                         | AV <sub>SS</sub>   | —         | AV <sub>DD</sub> | V     |  |
| AD12  | I <sub>AD</sub>       | Operating Current                              | —  | 8         | —                | mA    |  |
| AD13  | —                     | Leakage Current                                | —  | ±0.6      | —                | μA    | V <sub>INL</sub> = AV <sub>SS</sub> = 0V,<br>AV <sub>DD</sub> = 3.3V,<br>Source Impedance = 100Ω       |
| AD17  | R <sub>IN</sub>       | Recommended Impedance of Analog Voltage Source | —  | —         | 100              | Ω     |  |
| <b>DC Accuracy @ 1.5 Msps for 18 and 28-Pin Devices</b> |                       |  |  |           |                  |       |  |
| AD20a   | N <sub>r</sub>        | Resolution                                     | 10 data bits   |           |                  |       |  |
| AD21a   | INL                   | Integral Nonlinearity                          | -0.5   | -0.3/+0.5 | +1.2             | LSb   | See Note 3   |
| AD22a   | DNL                   | Differential Nonlinearity                      | -0.9   | ±0.6      | +0.9             | LSb   | See Note 3   |
| AD23a   | GERR                  | Gain Error                                     | —  | 10        | 20               | LSb   | See Note 3   |
| AD24a   | E <sub>OFF</sub>      | Offset Error                                   | —  | 10        | 20               | LSb   | See Note 3   |
| AD25a   | —                     | Monotonicity <sup>(1)</sup>                    | —  | —         | —                | —     | Guaranteed   |
| <b>DC Accuracy @ 2.0 Msps for 18 and 28-Pin Devices</b> |                       |  |  |           |                  |       |  |
| AD20b   | N <sub>r</sub>        | Resolution                                     | 10 data bits   |           |                  |       |  |
| AD21b   | INL                   | Integral Nonlinearity                          | -1   | ±1.5      | +2.8             | LSb   |  |
| AD22b   | DNL                   | Differential Nonlinearity                      | -1.5   | ±2        | +2.8             | LSb   |  |
| AD23b   | GERR                  | Gain Error                                     | —  | 10        | 20               | LSb   |  |
| AD24b   | E <sub>OFF</sub>      | Offset Error                                   | —  | 10        | 20               | LSb   |  |
| AD25b   | —                     | Monotonicity <sup>(1)</sup>                    | —  | —         | —                | —     | Guaranteed   |
| <b>DC Accuracy @ 2.0 Msps for 20 and 36-Pin Devices</b> |                       |  |  |           |                  |       |  |
| AD20c   | N <sub>r</sub>        | Resolution                                     | 10 data bits   |           |                  |       |  |
| AD21c   | INL                   | Integral Nonlinearity                          | > -2   | ±0.5      | < 2              | LSb   | See Note 3   |
| AD22c   | DNL                   | Differential Nonlinearity                      | > -1   | ±0.5      | < 1              | LSb   | See Note 3   |
| AD23c   | GERR                  | Gain Error                                     | —  | 10        | 20               | LSb   | See Note 3   |
| AD24c   | E <sub>OFF</sub>      | Offset Error                                   | —  | 10        | 20               | LSb   | See Note 3   |
| AD25c   | —                     | Monotonicity <sup>(1)</sup>                    | —  | —         | —                | —     | Guaranteed   |

- Note 1:** The Analog-to-Digital conversion result never decreases with an increase in input voltage and has no missing codes.
- Note 2:** Overall functional device operation at V<sub>BORMIN</sub> < V<sub>DD</sub> < V<sub>DDMIN</sub> is tested but not characterized. All device analog modules, such as the ADC, etc., will function, but with degraded performance below V<sub>DDMIN</sub>. Refer to Parameter BO10 in Table 25-11 for BOR values.
- Note 3:** These parameters are characterized by similarity, but are not tested in manufacturing.

# dsPIC33FJ06GS001/101A/102A/202A and dsPIC33FJ09GS302

**TABLE 25-39: 10-BIT HIGH-SPEED ADC MODULE SPECIFICATIONS (CONTINUED)**

| AC CHARACTERISTICS <sup>(2)</sup> |        |                                | Standard Operating Conditions: 3.0V and 3.6V<br>(unless otherwise stated)<br>Operating temperature -40°C ≤ TA ≤ +85°C for Industrial<br>-40°C ≤ TA ≤ +125°C for Extended |      |      |       |            |
|-----------------------------------|--------|--------------------------------|--|------|------|-------|------------|
| Param.                            | Symbol | Characteristic                 | Min.   | Typ. | Max. | Units | Conditions |
| <b>Dynamic Performance</b>        |        |                                |  |      |      |       |            |
| AD30                              | THD    | Total Harmonic Distortion      | —  | -73  | —    | dB    |            |
| AD31                              | SINAD  | Signal to Noise and Distortion | —  | 58   | —    | dB    |            |
| AD32                              | SFDR   | Spurious Free Dynamic Range    | —  | -73  | —    | dB    |            |
| AD33                              | FNYQ   | Input Signal Bandwidth         | —  | —    | 1    | MHz   |            |
| AD34                              | ENOB   | Effective Number of Bits       | —  | 9.4  | —    | bits  |            |

- Note 1:** The Analog-to-Digital conversion result never decreases with an increase in input voltage and has no missing codes.
- Note 2:** Overall functional device operation at  $V_{BORMIN} < V_{DD} < V_{DDMIN}$  is tested but not characterized. All device analog modules, such as the ADC, etc., will function, but with degraded performance below  $V_{DDMIN}$ . Refer to Parameter **BO10** in [Table 25-11](#) for BOR values.
- Note 3:** These parameters are characterized by similarity, but are not tested in manufacturing.

**TABLE 25-40: 10-BIT HIGH-SPEED ADC MODULE TIMING REQUIREMENTS**

| AC CHARACTERISTICS       |        |   | Standard Operating Conditions: 3.0V to 3.6V<br>(unless otherwise stated)<br>Operating temperature -40°C ≤ TA ≤ +85°C for Industrial<br>-40°C ≤ TA ≤ +125°C for Extended |                     |      |       |            |
|--------------------------|--------|---|---|---------------------|------|-------|------------|
| Param.                   | Symbol | Characteristic  | Min.  | Typ. <sup>(1)</sup> | Max. | Units | Conditions |
| <b>Clock Parameters</b>  |        |   |   |                     |      |       |            |
| AD50b                    | TAD    | ADC Clock Period                                      | 35.8  | —                   | —    | ns    |            |
| <b>Conversion Rate</b>   |        |   |   |                     |      |       |            |
| AD55b                    | tCONV  | Conversion Time                                       | —   | 14 TAD              | —    | —     |            |
| AD56b                    | FCNV   | Throughput Rate                                       | —   | —                   | 2.0  | Msp/s |            |
|                          |        | Devices with Single SAR                               | —   | —                   | 2.0  | Msp/s |            |
| <b>Timing Parameters</b> |        |   |   |                     |      |       |            |
| AD63b                    | tDPU   | Time to Stabilize Analog Stage from ADC Off to ADC On | 1.0   | —                   | 10   | μs    |            |

- Note 1:** These parameters are characterized but not tested in manufacturing.

**FIGURE 25-23: ANALOG-TO-DIGITAL CONVERSION TIMING PER INPUT**



**TABLE 25-41: HIGH-SPEED ANALOG COMPARATOR MODULE SPECIFICATIONS**

| DC CHARACTERISTICS <sup>(2)</sup> |                   |  | Standard Operating Conditions (unless otherwise stated)<br>Operating temperature: -40°C ≤ TA ≤ +85°C for Industrial<br>-40°C ≤ TA ≤ +125°C for Extended |         |                  |       |   |
|-----------------------------------|-------------------|--|---|---------|------------------|-------|---|
| Param.                            | Symbol            | Characteristic                                 | Min.  | Typ.    | Max.             | Units | Comments  |
| CM10                              | V <sub>IOFF</sub> | Input Offset Voltage                           | -58   | +14/-40 | 66               | mV    |   |
| CM11                              | V <sub>ICM</sub>  | Input Common-Mode Voltage Range <sup>(1)</sup> | 0   | —       | AV <sub>DD</sub> | V     |   |
| CM14                              | T <sub>RESP</sub> | Large Signal Response                          | 21  | 30      | 49               | ns    | V+ input step of 100 mv while V- input held at AV <sub>DD</sub> /2. Delay measured from analog input pin to PWM output pin. |

**Note 1:** These parameters are for design guidance only and are not tested in manufacturing.

**2:** Overall functional device operation at V<sub>BORMIN</sub> < V<sub>DD</sub> < V<sub>VDDMIN</sub> is tested, but not characterized. All device analog modules, such as the ADC, etc., will function but with degraded performance below V<sub>VDDMIN</sub>. Refer to Parameter [BO10](#) in [Table 25-11](#) for BOR values.

**TABLE 25-42: DAC MODULE SPECIFICATIONS**

| AC and DC CHARACTERISTICS <sup>(2)</sup> |                  |   | Standard Operating Conditions (unless otherwise stated)<br>Operating temperature: -40°C ≤ TA ≤ +85°C for Industrial<br>-40°C ≤ TA ≤ +125°C for Extended |      |                        |       |   |
|--|------------------|---|---|------|------------------------|-------|---|
| Param.                                   | Symbol           | Characteristic                            | Min.  | Typ. | Max.                   | Units | Comments  |
| DA01                                     | EXTREF           | External Voltage Reference <sup>(1)</sup> | 0   | —    | AV <sub>DD</sub> - 1.6 | V     |   |
| DA08                                     | INTREF           | Internal Voltage Reference <sup>(1)</sup> | 1.15  | 1.25 | 1.35                   | V     |   |
| DA02                                     | CVRES            | Resolution                                | 10  |      |                        | Bits  |   |
| DA03                                     | INL              | Integral Nonlinearity Error               | -7  | -1   | +7                     | LSB   | AV <sub>DD</sub> = 3.3V,<br>DACREF = (AV <sub>DD</sub> /2)V                                 |
| DA04                                     | DNL              | Differential Nonlinearity Error           | -5  | -0.5 | +5                     | LSB   |   |
| DA05                                     | E <sub>OFF</sub> | Offset Error                              | 0.4   | -0.8 | 2.6                    | %     |   |
| DA06                                     | E <sub>G</sub>   | Gain Error                                | 0.4   | -1.8 | 5.2                    | %     |   |
| DA07                                     | T <sub>SET</sub> | Settling Time <sup>(1)</sup>              | 711   | 1551 | 2100                   | ns    | Measured when RANGE = 1 (high range) and the CMREF<9:0> bits transition from 0x1FF to 0x300 |

**Note 1:** Parameters are for design guidance only and are not tested in manufacturing.

**2:** Overall functional device operation at V<sub>BORMIN</sub> < V<sub>DD</sub> < V<sub>VDDMIN</sub> is tested but not characterized. All device analog modules such as the ADC, etc., will function but with degraded performance below V<sub>VDDMIN</sub>. Refer to Parameter [BO10](#) in [Table 25-11](#) for BOR values.

# dsPIC33FJ06GS001/101A/102A/202A and dsPIC33FJ09GS302

**TABLE 25-43: DAC OUTPUT (DACOUT PIN) DC SPECIFICATIONS**

| DC CHARACTERISTICS <sup>(1)</sup> |         |  | Standard Operating Conditions (unless otherwise stated)<br>Operating temperature: -40°C ≤ TA ≤ +85°C for Industrial<br>-40°C ≤ TA ≤ +125°C for Extended |      |               |       |  |
|-----------------------------------|---------|--|---|------|---------------|-------|--|
| Param.                            | Symbol  | Characteristic   | Min.  | Typ. | Max.          | Units | Comments   |
| DA11                              | RLOAD   | Resistive Output Load Impedance                              | 3K  | —    | —             | Ohm   |  |
| —                                 | CLOAD   | Output Load Capacitance                                      | —   | —    | 35            | pF    | Including output pin capacitance   |
| DA12                              | IOUT    | Output Current Drive Strength                                | 200   | 300  | —             | μA    | Sink and source  |
| DA13                              | VRANGE  | Output Drive Voltage Range at Current Drive of 200 mA        | AVSS + 250 mV   | —    | AVDD – 900 mV | V     |  |
| DA14                              | VLRANGE | Output Drive Voltage Range at Reduced Current Drive of 50 mA | AVSS + 5 mV   | —    | AVDD – 500 mV | V     |  |
| DA15                              | IDD     | Current Consumed when Module Is Enabled                      | —   | —    | 1.3 x IOUT    | μA    | Module will always consume this current even if no load is connected to the output |
| DA16                              | ROUTON  | Output Impedance when Module is Enabled                      | —   | 820  | —             | Ohms  |  |
| DA30                              | VOFFSET | Input Offset Voltage   | —   | ±10  | 10            | mV    |  |

**Note 1:** Overall functional device operation at  $V_{BORMIN} < V_{DD} < V_{DDMIN}$  is tested but not characterized. All device analog modules, such as the ADC, etc., will function but with degraded performance below  $V_{DDMIN}$ . Refer to Parameter [BO10](#) in [Table 25-11](#) for BOR values.

**TABLE 25-44: DAC GAIN STAGE TO COMPARATOR SPECIFICATIONS**

| DC CHARACTERISTICS <sup>(1)</sup> |        |  | Standard Operating Conditions (unless otherwise stated)<br>Operating temperature: -40°C ≤ TA ≤ +85°C for Industrial<br>-40°C ≤ TA ≤ +125°C for Extended |      |      |       |   |
|-----------------------------------|--------|--|---|------|------|-------|---|
| Param.                            | Symbol | Characteristic                           | Min.  | Typ. | Max. | Units | Conditions  |
| DA15                              | IDD    | Current Consumed when Module Is Enabled. | —   | 60   | —    | μA    | Module will always consume this current even if no load is connected to the output  |
| DA32                              | G      | Amplifier Gain                           | —   | 1.0  | —    | —     |   |
|                                   |        |  | —   | 1.8  | —    | —     |   |
| DA33                              | GBWP   | Gain Bandwidth Product                   | —   | 2.0  | —    | MHz   | At 1 pF load capacitance. Measured with sine wave output signal of 1V peak-to-peak with a midpoint value of 1.2V. Voltage excursion from 0.7 to 1.7V. |
| DA34                              | SR     | Slew Rate                                | —   | 5    | —    | V/μs  | Slew rate between 10% and 90% of AVDD   |
| DA07                              | Ts     | Settling Time                            | —   | 200  | —    | ns    | Settling time to 3%   |

**Note 1:** Overall functional device operation at  $V_{BORMIN} < V_{DD} < V_{DDMIN}$  is tested but not characterized. All device analog modules, such as the ADC, etc., will function but with degraded performance below  $V_{DDMIN}$ . Refer to Parameter [BO10](#) in [Table 25-11](#) for BOR values.



**TABLE 25-45: CONSTANT CURRENT SOURCE SPECIFICATIONS**

| DC CHARACTERISTICS <sup>(1)</sup> |                  |                                       |      | Standard Operating Conditions<br>(unless otherwise stated)<br>Operating temperature: -40°C ≤ TA ≤ +85°C for Industrial<br>-40°C ≤ TA ≤ +125°C for Extended |      |       |            |
|-----------------------------------|------------------|---------------------------------------|------|--|------|-------|------------|
| Param.                            | Symbol           | Characteristic                        | Min. | Typ.   | Max. | Units | Conditions |
| CC01                              | IDD              | Current Consumption                   | —    | 30   | —    | μA    |            |
| CC02                              | I <sub>REG</sub> | Regulation of Current with Voltage On | —    | ±3   | —    | %     |            |
| CC03                              | I <sub>OUT</sub> | Current Output at Terminal            | —    | 10   | —    | μA    |            |

**Note 1:** Overall functional device operation at  $V_{BORMIN} < V_{DD} < V_{DDMIN}$  is tested but not characterized. All device analog modules such as the ADC, etc., will function but with degraded performance below  $V_{DDMIN}$ . Refer to Parameter BO10 in [Table 25-11](#) for BOR values.

NOTES:

## 26.0 DC AND AC DEVICE CHARACTERISTICS GRAPHS

**Note:** The graphs provided following this note are a statistical summary based on a limited number of samples and are provided for design guidance purposes only. The performance characteristics listed herein are not tested or guaranteed. In some graphs, the data presented may be outside the specified operating range (e.g., outside specified power supply range) and therefore, outside the warranted range.

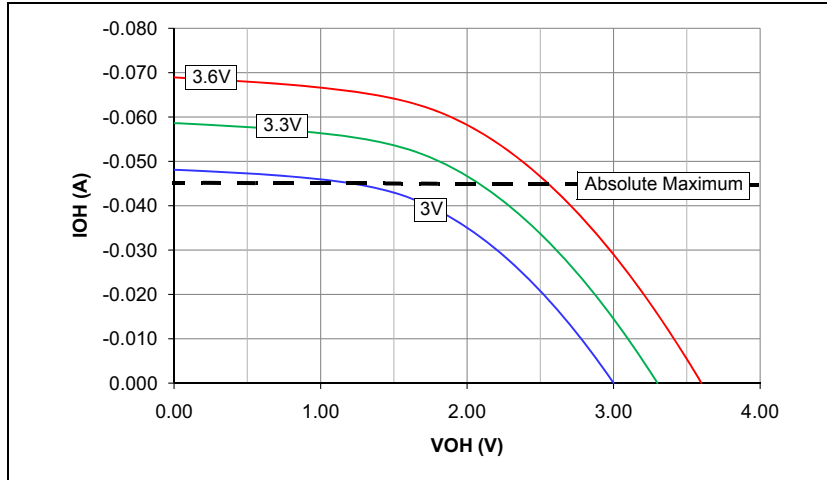
**FIGURE 26-1: VOH – 4x DRIVER PINS**



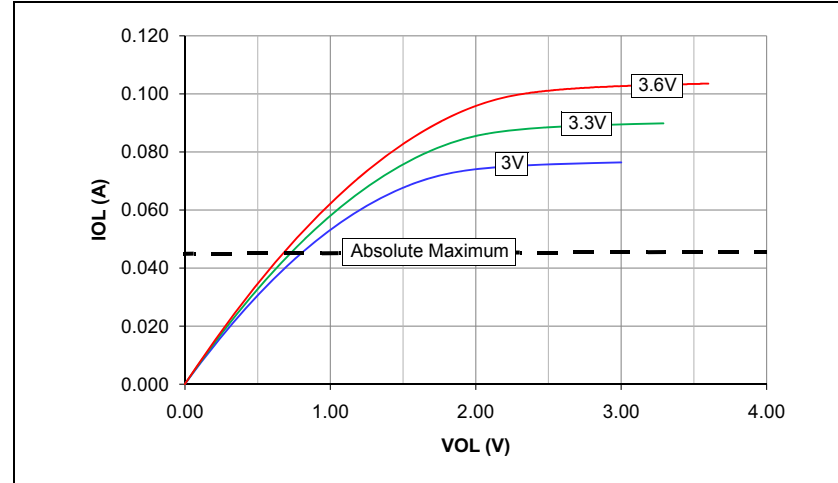
**FIGURE 26-3: VOL – 4x DRIVER PINS**



**FIGURE 26-2: VOH – 16x DRIVER PINS**



**FIGURE 26-4: VOL – 16x DRIVER PINS**



**FIGURE 26-5: TYPICAL I<sub>PD</sub> CURRENT @ V<sub>DD</sub> = 3.3V**



**FIGURE 26-7: TYPICAL I<sub>DD</sub> CURRENT @ V<sub>DD</sub> = 3.3V, +25°C**



**FIGURE 26-6: TYPICAL I<sub>DOZE</sub> CURRENT @ V<sub>DD</sub> = 3.3V**



**FIGURE 26-8: TYPICAL I<sub>IDLE</sub> CURRENT @ V<sub>DD</sub> = 3.3V, +25°C**



**FIGURE 26-9: TYPICAL FRC FREQUENCY @ VDD = 3.3V**



**FIGURE 26-11: TYPICAL LPRC FREQUENCY @ VDD = 3.3V**



**FIGURE 26-10: TYPICAL INTREF @ VDD = 3.3V**



NOTES:

**27.0 PACKAGING INFORMATION**

**27.1 Package Marking Information**

18-Lead PDIP



Example



18-Lead SOIC (.300")



Example



20-Lead SSOP



Example

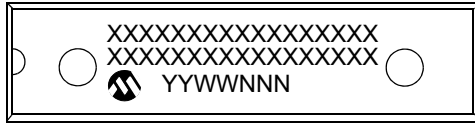


|                |  |  |
|----------------|--|--|
| <b>Legend:</b> | XX...X   | Customer-specific information  |
|                | Y  | Year code (last digit of calendar year)  |
|                | YY   | Year code (last 2 digits of calendar year)   |
|                | WW   | Week code (week of January 1 is week '01')   |
|                | NNN  | Alphanumeric traceability code   |
|                | (e3)   | Pb-free JEDEC designator for Matte Tin (Sn)  |
|                | *  | This package is Pb-free. The Pb-free JEDEC designator ((e3)) can be found on the outer packaging for this package. |
| <b>Note:</b>   | If the full Microchip part number cannot be marked on one line, it is carried over to the next line, thus limiting the number of available characters for customer-specific information. |  |

# dsPIC33FJ06GS001/101A/102A/202A and dsPIC33FJ09GS302

## 27.1 Package Marking Information (Continued)

28-Lead SPDIP



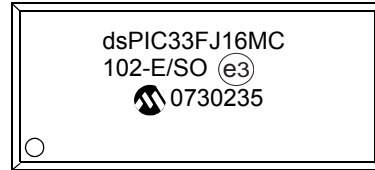
Example



28-Lead SOIC



Example



28-Lead SSOP



Example



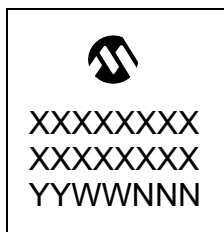
28-Lead QFN-S



Example



36-Lead VTLA



Example





27.2 Package Details

18-Lead Plastic Dual In-Line (P) – 300 mil Body [PDIP]

**Note:** For the most current package drawings, please see the Microchip Packaging Specification located at <http://www.microchip.com/packaging>



| Dimension Limits           | Units | INCHES   |      |      |
|----------------------------|-------|----------|------|------|
|                            |       | MIN      | NOM  | MAX  |
| Number of Pins             | N     | 18       |      |      |
| Pitch                      | e     | .100 BSC |      |      |
| Top to Seating Plane       | A     | –        | –    | .210 |
| Molded Package Thickness   | A2    | .115     | .130 | .195 |
| Base to Seating Plane      | A1    | .015     | –    | –    |
| Shoulder to Shoulder Width | E     | .300     | .310 | .325 |
| Molded Package Width       | E1    | .240     | .250 | .280 |
| Overall Length             | D     | .880     | .900 | .920 |
| Tip to Seating Plane       | L     | .115     | .130 | .150 |
| Lead Thickness             | c     | .008     | .010 | .014 |
| Upper Lead Width           | b1    | .045     | .060 | .070 |
| Lower Lead Width           | b     | .014     | .018 | .022 |
| Overall Row Spacing §      | eB    | –        | –    | .430 |

**Notes:**

- Pin 1 visual index feature may vary, but must be located within the hatched area.
- § Significant Characteristic.
- Dimensions D and E1 do not include mold flash or protrusions. Mold flash or protrusions shall not exceed .010" per side.
- Dimensioning and tolerancing per ASME Y14.5M.

BSC: Basic Dimension. Theoretically exact value shown without tolerances.

Microchip Technology Drawing C04-007B



# dsPIC33FJ06GS001/101A/102A/202A and dsPIC33FJ09GS302

## 18-Lead Plastic Small Outline (SO) - Wide, 7.50 mm Body [SOIC]

**Note:** For the most current package drawings, please see the Microchip Packaging Specification located at <http://www.microchip.com/packaging>



|                          |    | Units | MILLIMETERS |     |      |
|--------------------------|----|-------|-------------|-----|------|
| Dimension Limits         |    |       | MIN         | NOM | MAX  |
| Number of Pins           | N  |       | 18          |     |      |
| Pitch                    | e  |       | 1.27 BSC    |     |      |
| Overall Height           | A  | -     | -           | -   | 2.65 |
| Molded Package Thickness | A2 | 2.05  | -           | -   | -    |
| Standoff §               | A1 | 0.10  | -           | -   | 0.30 |
| Overall Width            | E  |       | 10.30 BSC   |     |      |
| Molded Package Width     | E1 |       | 7.50 BSC    |     |      |
| Overall Length           | D  |       | 11.55 BSC   |     |      |
| Chamfer (Optional)       | h  | 0.25  | -           | -   | 0.75 |
| Foot Length              | L  | 0.40  | -           | -   | 1.27 |
| Footprint                | L1 |       | 1.40 REF    |     |      |
| Lead Angle               | Θ  | 0°    | -           | -   | -    |
| Foot Angle               | φ  | 0°    | -           | -   | 8°   |
| Lead Thickness           | c  | 0.20  | -           | -   | 0.33 |
| Lead Width               | b  | 0.31  | -           | -   | 0.51 |
| Mold Draft Angle Top     | α  | 5°    | -           | -   | 15°  |
| Mold Draft Angle Bottom  | β  | 5°    | -           | -   | 15°  |

### Notes:

- Pin 1 visual index feature may vary, but must be located within the hatched area.
- § Significant Characteristic
- Dimension D does not include mold flash, protrusions or gate burrs, which shall not exceed 0.15 mm per end. Dimension E1 does not include interlead flash or protrusion, which shall not exceed 0.25 mm per side.
- Dimensioning and tolerancing per ASME Y14.5M
  - BSC: Basic Dimension. Theoretically exact value shown without tolerances.
  - REF: Reference Dimension, usually without tolerance, for information purposes only.
- Datums A & B to be determined at Datum H.

Microchip Technology Drawing No. C04-051C Sheet 2 of 2

# dsPIC33FJ06GS001/101A/102A/202A and dsPIC33FJ09GS302

18-Lead Plastic Small Outline (SO) - Wide, 7.50 mm Body [SOIC]

**Note:** For the most current package drawings, please see the Microchip Packaging Specification located at <http://www.microchip.com/packaging>



RECOMMENDED LAND PATTERN

| Dimension Limits      | Units | MILLIMETERS |     |      |
|-----------------------|-------|-------------|-----|------|
|                       |       | MIN         | NOM | MAX  |
| Contact Pitch         | E     | 1.27 BSC    |     |      |
| Contact Pad Spacing   | C     | 9.40        |     |      |
| Contact Pad Width     | X     |             |     | 0.60 |
| Contact Pad Length    | Y     |             |     | 2.00 |
| Distance Between Pads | Gx    | 0.67        |     |      |
| Distance Between Pads | G     | 7.40        |     |      |

Notes:

1. Dimensioning and tolerancing per ASME Y14.5M

BSC: Basic Dimension. Theoretically exact value shown without tolerances.

Microchip Technology Drawing No. C04-2051A

# dsPIC33FJ06GS001/101A/102A/202A and dsPIC33FJ09GS302

## 20-Lead Plastic Shrink Small Outline (SS) – 5.30 mm Body [SSOP]

**Note:** For the most current package drawings, please see the Microchip Packaging Specification located at <http://www.microchip.com/packaging>



| Dimension Limits         | Units  | MILLIMETERS |      |      |
|--------------------------|--------|-------------|------|------|
|                          |        | MIN         | NOM  | MAX  |
| Number of Pins           | N      | 20          |      |      |
| Pitch                    | e      | 0.65 BSC    |      |      |
| Overall Height           | A      | –           | –    | 2.00 |
| Molded Package Thickness | A2     | 1.65        | 1.75 | 1.85 |
| Standoff                 | A1     | 0.05        | –    | –    |
| Overall Width            | E      | 7.40        | 7.80 | 8.20 |
| Molded Package Width     | E1     | 5.00        | 5.30 | 5.60 |
| Overall Length           | D      | 6.90        | 7.20 | 7.50 |
| Foot Length              | L      | 0.55        | 0.75 | 0.95 |
| Footprint                | L1     | 1.25 REF    |      |      |
| Lead Thickness           | c      | 0.09        | –    | 0.25 |
| Foot Angle               | $\phi$ | 0°          | 4°   | 8°   |
| Lead Width               | b      | 0.22        | –    | 0.38 |

**Notes:**

- Pin 1 visual index feature may vary, but must be located within the hatched area.
- Dimensions D and E1 do not include mold flash or protrusions. Mold flash or protrusions shall not exceed 0.20 mm per side.
- Dimensioning and tolerancing per ASME Y14.5M.

BSC: Basic Dimension. Theoretically exact value shown without tolerances.

REF: Reference Dimension, usually without tolerance, for information purposes only.

Microchip Technology Drawing C04-072B

# dsPIC33FJ06GS001/101A/102A/202A and dsPIC33FJ09GS302

20-Lead Plastic Shrink Small Outline (SS) - 5.30 mm Body [SSOP]

**Note:** For the most current package drawings, please see the Microchip Packaging Specification located at <http://www.microchip.com/packageing>



| Dimension Limits         | Units | MILLIMETERS |      |      |
|--------------------------|-------|-------------|------|------|
|                          |       | MIN         | NOM  | MAX  |
| Contact Pitch            | E     | 0.65 BSC    |      |      |
| Contact Pad Spacing      | C     |             | 7.20 |      |
| Contact Pad Width (X20)  | X1    |             |      | 0.45 |
| Contact Pad Length (X20) | Y1    |             |      | 1.75 |
| Distance Between Pads    | G     | 0.20        |      |      |

Notes:

1. Dimensioning and tolerancing per ASME Y14.5M

BSC: Basic Dimension. Theoretically exact value shown without tolerances.

Microchip Technology Drawing No. C04-2072A

# dsPIC33FJ06GS001/101A/102A/202A and dsPIC33FJ09GS302

## 28-Lead Plastic Shrink Small Outline (SS) – 5.30 mm Body [SSOP]

**Note:** For the most current package drawings, please see the Microchip Packaging Specification located at <http://www.microchip.com/packaging>



| Dimension Limits         | Units  | MILLIMETERS |       |       |
|--------------------------|--------|-------------|-------|-------|
|                          |        | MIN         | NOM   | MAX   |
| Number of Pins           | N      | 28          |       |       |
| Pitch                    | e      | 0.65 BSC    |       |       |
| Overall Height           | A      | –           | –     | 2.00  |
| Molded Package Thickness | A2     | 1.65        | 1.75  | 1.85  |
| Standoff                 | A1     | 0.05        | –     | –     |
| Overall Width            | E      | 7.40        | 7.80  | 8.20  |
| Molded Package Width     | E1     | 5.00        | 5.30  | 5.60  |
| Overall Length           | D      | 9.90        | 10.20 | 10.50 |
| Foot Length              | L      | 0.55        | 0.75  | 0.95  |
| Footprint                | L1     | 1.25 REF    |       |       |
| Lead Thickness           | c      | 0.09        | –     | 0.25  |
| Foot Angle               | $\phi$ | 0°          | 4°    | 8°    |
| Lead Width               | b      | 0.22        | –     | 0.38  |

**Notes:**

- Pin 1 visual index feature may vary, but must be located within the hatched area.
- Dimensions D and E1 do not include mold flash or protrusions. Mold flash or protrusions shall not exceed 0.20 mm per side.
- Dimensioning and tolerancing per ASME Y14.5M.

BSC: Basic Dimension. Theoretically exact value shown without tolerances.

REF: Reference Dimension, usually without tolerance, for information purposes only.

Microchip Technology Drawing C04-073B

# dsPIC33FJ06GS001/101A/102A/202A and dsPIC33FJ09GS302

28-Lead Plastic Shrink Small Outline (SS) - 5.30 mm Body [SSOP]

**Note:** For the most current package drawings, please see the Microchip Packaging Specification located at <http://www.microchip.com/packaging>



| Dimension Limits         | Units | MILLIMETERS |      |      |
|--------------------------|-------|-------------|------|------|
|                          |       | MIN         | NOM  | MAX  |
| Contact Pitch            | E     | 0.65 BSC    |      |      |
| Contact Pad Spacing      | C     |             | 7.20 |      |
| Contact Pad Width (X28)  | X1    |             |      | 0.45 |
| Contact Pad Length (X28) | Y1    |             |      | 1.75 |
| Distance Between Pads    | G     | 0.20        |      |      |

Notes:

1. Dimensioning and tolerancing per ASME Y14.5M

BSC: Basic Dimension. Theoretically exact value shown without tolerances.

Microchip Technology Drawing No. C04-2073A





# dsPIC33FJ06GS001/101A/102A/202A and dsPIC33FJ09GS302

## 28-Lead Plastic Small Outline (SO) - Wide, 7.50 mm Body [SOIC]

**Note:** For the most current package drawings, please see the Microchip Packaging Specification located at <http://www.microchip.com/packaging>



| Dimension Limits         | Units     | MILLIMETERS |     |      |
|--------------------------|-----------|-------------|-----|------|
|                          |           | MIN         | NOM | MAX  |
| Number of Pins           | N         | 28          |     |      |
| Pitch                    | e         | 1.27 BSC    |     |      |
| Overall Height           | A         | -           | -   | 2.65 |
| Molded Package Thickness | A2        | 2.05        | -   | -    |
| Standoff §               | A1        | 0.10        | -   | 0.30 |
| Overall Width            | E         | 10.30 BSC   |     |      |
| Molded Package Width     | E1        | 7.50 BSC    |     |      |
| Overall Length           | D         | 17.90 BSC   |     |      |
| Chamfer (Optional)       | h         | 0.25        | -   | 0.75 |
| Foot Length              | L         | 0.40        | -   | 1.27 |
| Footprint                | L1        | 1.40 REF    |     |      |
| Lead Angle               | $\theta$  | 0°          | -   | -    |
| Foot Angle               | $\varphi$ | 0°          | -   | 8°   |
| Lead Thickness           | c         | 0.18        | -   | 0.33 |
| Lead Width               | b         | 0.31        | -   | 0.51 |
| Mold Draft Angle Top     | $\alpha$  | 5°          | -   | 15°  |
| Mold Draft Angle Bottom  | $\beta$   | 5°          | -   | 15°  |

**Notes:**

- Pin 1 visual index feature may vary, but must be located within the hatched area.
- § Significant Characteristic
- Dimension D does not include mold flash, protrusions or gate burrs, which shall not exceed 0.15 mm per end. Dimension E1 does not include interlead flash or protrusion, which shall not exceed 0.25 mm per side.
- Dimensioning and tolerancing per ASME Y14.5M  
 BSC: Basic Dimension, Theoretically exact value shown without tolerances.  
 REF: Reference Dimension, usually without tolerance, for information purposes only.
- Datums A & B to be determined at Datum H.

Microchip Technology Drawing C04-052C Sheet 2 of 2

# dsPIC33FJ06GS001/101A/102A/202A and dsPIC33FJ09GS302

28-Lead Plastic Small Outline (SO) - Wide, 7.50 mm Body [SOIC]

**Note:** For the most current package drawings, please see the Microchip Packaging Specification located at <http://www.microchip.com/packaging>



## RECOMMENDED LAND PATTERN

|                          |                  | MILLIMETERS |     |      |
|--------------------------|------------------|-------------|-----|------|
|                          |                  | MIN         | NOM | MAX  |
|                          | Units            |             |     |      |
|                          | Dimension Limits |             |     |      |
| Contact Pitch            | E                | 1.27 BSC    |     |      |
| Contact Pad Spacing      | C                | 9.40        |     |      |
| Contact Pad Width (X28)  | X                |             |     | 0.60 |
| Contact Pad Length (X28) | Y                |             |     | 2.00 |
| Distance Between Pads    | Gx               | 0.67        |     |      |
| Distance Between Pads    | G                | 7.40        |     |      |

**Notes:**

1. Dimensioning and tolerancing per ASME Y14.5M

BSC: Basic Dimension. Theoretically exact value shown without tolerances.

Microchip Technology Drawing No. C04-2052A

# dsPIC33FJ06GS001/101A/102A/202A and dsPIC33FJ09GS302

## 28-Lead Skinny Plastic Dual In-Line (SP) – 300 mil Body [SPDIP]

**Note:** For the most current package drawings, please see the Microchip Packaging Specification located at <http://www.microchip.com/packaging>



| Dimension Limits           | Units | INCHES   |       |       |
|----------------------------|-------|----------|-------|-------|
|                            |       | MIN      | NOM   | MAX   |
| Number of Pins             | N     | 28       |       |       |
| Pitch                      | e     | .100 BSC |       |       |
| Top to Seating Plane       | A     | –        | –     | .200  |
| Molded Package Thickness   | A2    | .120     | .135  | .150  |
| Base to Seating Plane      | A1    | .015     | –     | –     |
| Shoulder to Shoulder Width | E     | .290     | .310  | .335  |
| Molded Package Width       | E1    | .240     | .285  | .295  |
| Overall Length             | D     | 1.345    | 1.365 | 1.400 |
| Tip to Seating Plane       | L     | .110     | .130  | .150  |
| Lead Thickness             | c     | .008     | .010  | .015  |
| Upper Lead Width           | b1    | .040     | .050  | .070  |
| Lower Lead Width           | b     | .014     | .018  | .022  |
| Overall Row Spacing §      | eB    | –        | –     | .430  |

**Notes:**

- Pin 1 visual index feature may vary, but must be located within the hatched area.
- § Significant Characteristic.
- Dimensions D and E1 do not include mold flash or protrusions. Mold flash or protrusions shall not exceed .010" per side.
- Dimensioning and tolerancing per ASME Y14.5M.

BSC: Basic Dimension. Theoretically exact value shown without tolerances.

Microchip Technology Drawing C04-070B

**28-Lead Plastic Quad Flat, No Lead Package (MM) - 6x6x0.9mm Body [QFN-S]  
With 0.40 mm Terminal Length**

**Note:** For the most current package drawings, please see the Microchip Packaging Specification located at <http://www.microchip.com/packaging>

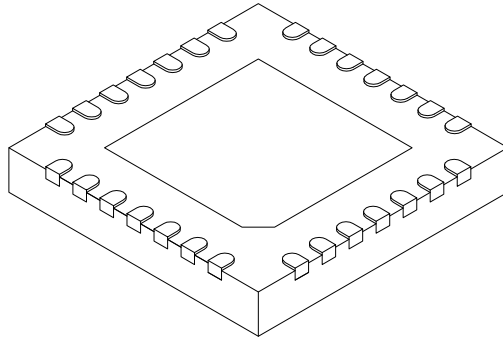


Microchip Technology Drawing C04-124C Sheet 1 of 2

# dsPIC33FJ06GS001/101A/102A/202A and dsPIC33FJ09GS302

## 28-Lead Plastic Quad Flat, No Lead Package (MM) - 6x6x0.9mm Body [QFN-S] With 0.40 mm Terminal Length

**Note:** For the most current package drawings, please see the Microchip Packaging Specification located at <http://www.microchip.com/packaging>



| Dimension Limits        | Units | MILLIMETERS |      |      |
|-------------------------|-------|-------------|------|------|
|                         |       | MIN         | NOM  | MAX  |
| Number of Pins          | N     | 28          |      |      |
| Pitch                   | e     | 0.65 BSC    |      |      |
| Overall Height          | A     | 0.80        | 0.90 | 1.00 |
| Standoff                | A1    | 0.00        | 0.02 | 0.05 |
| Terminal Thickness      | A3    | 0.20 REF    |      |      |
| Overall Width           | E     | 6.00 BSC    |      |      |
| Exposed Pad Width       | E2    | 3.65        | 3.70 | 4.70 |
| Overall Length          | D     | 6.00 BSC    |      |      |
| Exposed Pad Length      | D2    | 3.65        | 3.70 | 4.70 |
| Terminal Width          | b     | 0.23        | 0.30 | 0.35 |
| Terminal Length         | L     | 0.30        | 0.40 | 0.50 |
| Terminal-to-Exposed Pad | K     | 0.20        | -    | -    |

**Notes:**

1. Pin 1 visual index feature may vary, but must be located within the hatched area.
2. Package is saw singulated
3. Dimensioning and tolerancing per ASME Y14.5M

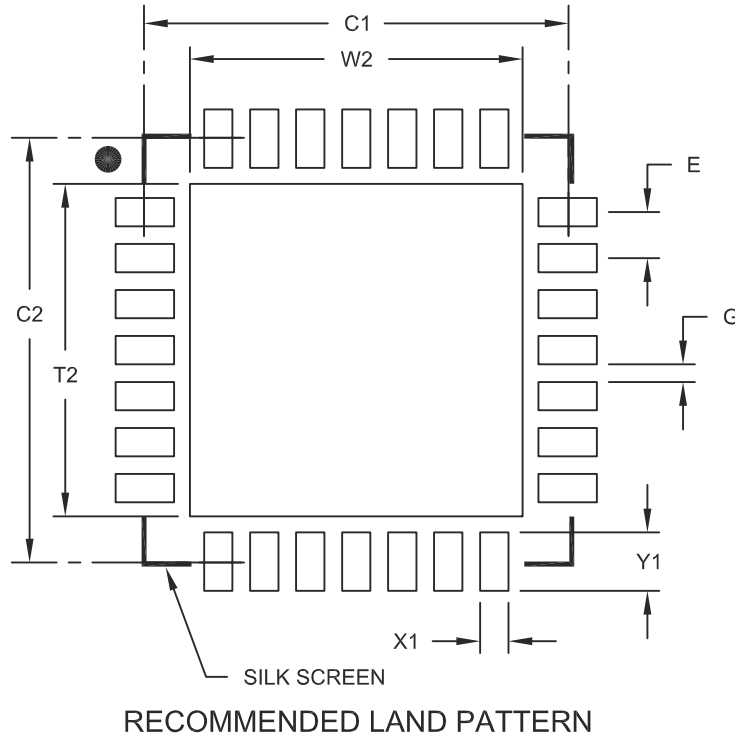
BSC: Basic Dimension. Theoretically exact value shown without tolerances.

REF: Reference Dimension, usually without tolerance, for information purposes only.

Microchip Technology Drawing C04-124C Sheet 2 of 2

**28-Lead Plastic Quad Flat, No Lead Package (MM) – 6x6x0.9 mm Body [QFN-S]  
with 0.40 mm Contact Length**

**Note:** For the most current package drawings, please see the Microchip Packaging Specification located at <http://www.microchip.com/packaging>



|                            |    | Units | MILLIMETERS |      |      |
|----------------------------|----|-------|-------------|------|------|
| Dimension Limits           |    |       | MIN         | NOM  | MAX  |
| Contact Pitch              | E  |       | 0.65 BSC    |      |      |
| Optional Center Pad Width  | W2 |       |             |      | 4.70 |
| Optional Center Pad Length | T2 |       |             |      | 4.70 |
| Contact Pad Spacing        | C1 |       |             | 6.00 |      |
| Contact Pad Spacing        | C2 |       |             | 6.00 |      |
| Contact Pad Width (X28)    | X1 |       |             |      | 0.40 |
| Contact Pad Length (Y28)   | Y1 |       |             |      | 0.85 |
| Distance Between Pads      | G  | 0.25  |             |      |      |

Notes:

1. Dimensioning and tolerancing per ASME Y14.5M

BSC: Basic Dimension. Theoretically exact value shown without tolerances.

Microchip Technology Drawing No. C04-2124A

# dsPIC33FJ06GS001/101A/102A/202A and dsPIC33FJ09GS302

## 36-Terminal Very Thin Thermal Leadless Array Package (TL) – 5x5x0.9 mm Body with Exposed Pad [VTLA]

**Note:** For the most current package drawings, please see the Microchip Packaging Specification located at <http://www.microchip.com/packaging>



Microchip Technology Drawing C04-187C Sheet 1 of 2



**36-Terminal Very Thin Thermal Leadless Array Package (TL) – 5x5x0.9 mm Body with Exposed Pad [VTLA]**

**Note:** For the most current package drawings, please see the Microchip Packaging Specification located at <http://www.microchip.com/packaging>



| Dimension               | Units<br>Limits | MILLIMETERS |      |       |
|-------------------------|-----------------|-------------|------|-------|
|                         |                 | MIN         | NOM  | MAX   |
| Number of Pins          | N               | 36          |      |       |
| Number of Pins per Side | ND              | 10          |      |       |
| Number of Pins per Side | NE              | 8           |      |       |
| Pitch                   | e               | 0.50 BSC    |      |       |
| Overall Height          | A               | 0.80        | 0.90 | 1.00  |
| Standoff                | A1              | 0.025       | -    | 0.075 |
| Overall Width           | E               | 5.00 BSC    |      |       |
| Exposed Pad Width       | E2              | 3.60        | 3.75 | 3.90  |
| Overall Length          | D               | 5.00 BSC    |      |       |
| Exposed Pad Length      | D2              | 3.60        | 3.75 | 3.90  |
| Contact Width           | b               | 0.20        | 0.25 | 0.30  |
| Contact Length          | L               | 0.20        | 0.25 | 0.30  |
| Contact-to-Exposed Pad  | K               | 0.20        | -    | -     |

**Notes:**

- Pin 1 visual index feature may vary, but must be located within the hatched area.
- Package is saw singulated.
- Dimensioning and tolerancing per ASME Y14.5M.  
 BSC: Basic Dimension. Theoretically exact value shown without tolerances.  
 REF: Reference Dimension, usually without tolerance, for information purposes only.

Microchip Technology Drawing C04-187C Sheet 2 of 2

NOTES:

## APPENDIX A: REVISION HISTORY

### Revision A (July 2011)

This is the initial released version of this document.

### Revision B (February 2012)

This revision includes formatting changes and minor typographical updates throughout the data sheet text.

Where applicable, new sections were added to each peripheral chapter that provide information and links to related resources, as well as helpful tips. For examples, see [Section 18.1 “UART Helpful Tips”](#) and [Section 18.1 “UART Helpful Tips”](#).

The data sheet status was updated from Advance Information to Preliminary.

In addition, all occurrences to the package known as TLA were updated to VTLA.

All other major changes are referenced by their respective section in [Table A-1](#).

**TABLE A-1: MAJOR SECTION UPDATES**

| Section Name  | Update Description   |
|---|--|
| <a href="#">“16-Bit Microcontrollers and Digital Signal Controllers with High-Speed PWM, ADC and Comparators”</a> | The previous content was reorganized and is now presented as the first page of the data sheet.<br><br>Relocated the <a href="#">Referenced Sources</a> content, which was previously presented in <a href="#">Section 1.0 “Device Overview”</a> .  |
| <a href="#">Section 2.0 “Guidelines for Getting Started with 16-Bit Digital Signal Controllers”</a>               | Updated the Recommended Minimum Connection diagram (see <a href="#">Figure 2-1</a> ).  |
| <a href="#">Section 4.0 “Memory Organization”</a>   | Updated the Program Memory Map (see <a href="#">Figure 4-1</a> ).<br><br>Updated bits 10-8 in IPC27 of the Interrupt Controller Register Map for dsPIC33FJ06GS001 Devices (see <a href="#">Table 4-4</a> ).<br><br>Renamed the CHOPCLK<6:0> bits in the CHOP register to: CHOP<6:0> in the High-Speed PWM Register Map (see <a href="#">Table 4-12</a> ).<br><br>Removed RPINR11 from the Peripheral Pin Select Input Register Map for the dsPIC33FJ06GS001 Device (see <a href="#">Table 4-24</a> ).<br><br>Added the REFOMD bit to PMD4 in the PMD Register Map for the dsPIC33FJ06GS001 device (see <a href="#">Table 4-34</a> ).   |
| <a href="#">Section 21.0 “Constant Current Source”</a>  | Added the Current Source Calibration bits (ISRCCAL<5:0>) to the Current Source Control register (see <a href="#">Register 21-1</a> ).  |
| <a href="#">Section 22.0 “Special Features”</a>   | Added the Constant Current Source Calibration Register (see <a href="#">Register 22-1</a> ).   |
| <a href="#">Section 25.0 “Electrical Characteristics”</a>   | Updated the <a href="#">Absolute Maximum Ratings(1)</a> .<br><br>Added Note 1 to the Operating MIPS vs. Voltage specification (see <a href="#">Table 25-1</a> ).<br><br>Updated all DC Characteristics: I/O Pin Output Specifications (see <a href="#">Table 25-10</a> ).<br><br>Updated the typical value for Parameters F20a and F20b in the Internal FRC Accuracy specification (see <a href="#">Table 25-19</a> ).<br><br>Updated the minimum and maximum values for Parameter TA20, and the minimum value for Parameter TA11 in the Timer1 External Clock Timing Requirements (see <a href="#">Table 25-23</a> ).<br><br>Updated the OC/PWM Module Timing Characteristics diagram (see <a href="#">Figure 25-8</a> ).<br><br>Updated the minimum and maximum values for the Simple OC/PWM Mode Timing Requirements (see <a href="#">Table 25-27</a> ).<br><br>Added Note 4 and Note 5 to the 10-Bit, High-Speed ADC Module Specifications (see <a href="#">Table 25-39</a> ). |
| <a href="#">Section 26.0 “DC and AC Device Characteristics Graphs”</a>  | Added new chapter.   |

## Revision C (August 2012)

This revision includes minor typographical updates and content corrections. Major changes include new figures in [Section 26.0 “DC and AC Device Characteristics Graphs”](#), updated values in [Table 25-39](#) in [Section 25.0 “Electrical Characteristics”](#) and updated package drawings in [Section 27.0 “Packaging Information”](#).

## INDEX

### A

|  |          |
|--|----------|
| AC Characteristics .....   | 282      |
| Internal LPRC Accuracy .....                                     | 285      |
| Internal RC Accuracy .....                                       | 285      |
| Load Conditions .....  | 282      |
| Temperature and Voltage Specifications .....                     | 282      |
| Alternate Interrupt Vector Table (AIVT) .....                    | 87       |
| Arithmetic Logic Unit (ALU) .....                                | 31       |
| Assembler .....  |          |
| MPASM Assembler .....  | 268      |
| Auxiliary Clock Generation .....                                 | 125      |
| <b>B</b>   |          |
| Bit-Reversed Addressing .....                                    | 69       |
| Example .....  | 70       |
| Implementation .....   | 69       |
| Sequence Table (16-Entry) .....                                  | 70       |
| Block Diagrams .....   |          |
| 16-Bit Timer1 Module .....                                       | 173      |
| Boost Converter Implementation .....                             | 21       |
| Connections for On-Chip Voltage Regulator .....                  | 256      |
| Constant Current Source .....                                    | 249      |
| CPU Core .....   | 26       |
| Digital PFC .....  | 21       |
| DSP Engine .....   | 32       |
| dsPIC33FJ06GS001 Device ADC .....                                | 226      |
| dsPIC33FJ06GS001/101A/102A/202A<br>and<br>dsPIC33FJ09GS302 ..... | 14       |
| dsPIC33FJ06GS101A Device ADC .....                               | 227      |
| dsPIC33FJ06GS102A Device ADC .....                               | 228      |
| dsPIC33FJ06GS202A Device ADC .....                               | 229      |
| dsPIC33FJ09GS302 Device ADC .....                                | 230      |
| High-Speed Analog Comparator .....                               | 243      |
| Hysteresis Control .....   | 245      |
| I <sup>2</sup> C .....   | 212      |
| Input Capture .....  | 177      |
| Interleaved PFC .....  | 22       |
| MCLR Pin Connections .....                                       | 18       |
| Multiplexing of Remappable Output for RPN .....                  | 150      |
| Oscillator System .....  | 123      |
| Output Compare .....   | 179      |
| Partitioned Output Pair, Complementary<br>PWM Mode .....         | 186      |
| Phase-Shifted Full-Bridge Converter .....                        | 23       |
| PLL .....  | 125      |
| Recommended Minimum Connection .....                             | 18       |
| Remappable MUX Input for U1RX .....                              | 148      |
| Reset System .....   | 79       |
| Shared Port Structure .....                                      | 146      |
| Simplified Conceptual High-Speed PWM .....                       | 185      |
| Single-Phase Synchronous Buck Converter .....                    | 22       |
| SPI .....  | 205      |
| Type B Timer2 .....  | 175      |
| UART .....   | 219      |
| Watchdog Timer (WDT) .....                                       | 257      |
| Brown-out Reset (BOR) .....                                      | 251, 256 |

### C

|  |     |
|--|-----|
| C Compilers .....                                    |     |
| MPLAB C18 .....                                      | 268 |
| Capacitor on Internal Voltage Regulator (VCAP) ..... | 18  |
| Clock Switching .....                                | 134 |
| Enabling .....                                       | 134 |
| Sequence .....                                       | 134 |
| Code Examples .....                                  |     |
| Port Write/Read .....                                | 147 |
| PWRSVAV Instruction Syntax .....                     | 137 |
| Code Protection .....                                | 251 |
| Configuration Bits .....                             | 251 |
| Description .....                                    | 254 |
| Configuring Analog Port Pins .....                   | 147 |
| Constant Current Source .....                        |     |
| Description .....                                    | 249 |
| Features .....                                       | 249 |
| CPU .....  |     |
| Barrel Shifter .....                                 | 35  |
| Control Registers .....                              | 28  |
| Data Addressing Overview .....                       | 25  |
| DSP Engine Overview .....                            | 25  |
| MCU Special Features .....                           | 26  |
| Special Features .....                               | 251 |
| CPU Clocking System .....                            | 124 |
| PLL Configuration .....                              | 125 |
| Selection .....                                      | 124 |
| Sources .....  | 124 |
| Customer Change Notification Service .....           | 346 |
| Customer Notification Service .....                  | 346 |
| Customer Support .....                               | 346 |

### D

|  |     |
|--|-----|
| DAC .....  | 244 |
| Buffer Gain .....                                  | 244 |
| Output Range .....                                 | 245 |
| Data Accumulators and Adder/Subtractor .....       | 33  |
| Data Space Write Saturation .....                  | 35  |
| Overflow and Saturation .....                      | 33  |
| Round Logic .....                                  | 34  |
| Write Back .....                                   | 34  |
| Data Address Space .....                           | 39  |
| Alignment .....                                    | 39  |
| Memory Map for Devices with 1 Kbyte of RAM .....   | 41  |
| Memory Map for Devices with 256 Bytes of RAM ..... | 40  |
| Near Data Space .....                              | 39  |
| Software Stack .....                               | 66  |
| Width .....  | 39  |
| X and Y Data .....                                 | 42  |
| DC and AC Characteristics .....                    |     |
| Graphs and Tables .....                            | 315 |
| DC Characteristics .....                           |     |
| Doze Current (IDOZE) .....                         | 277 |
| I/O Pin Input Specifications .....                 | 278 |
| I/O Pin Output Specifications .....                | 280 |
| Idle Current (IDLE) .....                          | 275 |
| Operating Current (IDD) .....                      | 274 |
| Operating MIPS vs. Voltage .....                   | 272 |
| Power-Down Current (IPD) .....                     | 276 |
| Program Memory .....                               | 281 |
| Temperature and Voltage Specifications .....       | 273 |

# dsPIC33FJ06GS001/101A/102A/202A and dsPIC33FJ09GS302

|  |          |  |     |
|--|----------|--|-----|
| DC Specifications                          |          |  |     |
| DAC Output (DACOUT Pin).....               | 312      | Instruction Addressing Modes .....                       | 66  |
| Development Support .....                  | 267      | File Register Instructions .....                         | 66  |
| Doze Mode.....                             | 138      | Fundamental Modes Supported .....                        | 67  |
| DSC Guidelines.....                        | 17       | MAC Instructions .....                                   | 67  |
| Basic Connection Requirements.....         | 17       | MCU Instructions .....                                   | 66  |
| Decoupling Capacitors.....                 | 17       | Move and Accumulator Instructions.....                   | 67  |
| DSP Engine.....                            | 31       | Other Instructions .....                                 | 67  |
| Multiplier.....                            | 33       | Instruction Set  |     |
| <b>E</b>                                   |          | Overview.....  | 262 |
| Electrical Characteristics.....            | 271      | Summary .....  | 259 |
| Absolute Maximum Ratings .....             | 271      | Instruction-Based Power-Saving Modes.....                | 137 |
| Equations                                  |          | Idle.....  | 138 |
| Device Operating Frequency .....           | 124      | Sleep .....  | 137 |
| Fosc Calculation.....                      | 125      | Interfacing Program and Data Memory Spaces.....          | 71  |
| Maximum Page Erase Time.....               | 76       | Internal RC Oscillator                                   |     |
| Minimum Page Erase Time.....               | 76       | Use with WDT.....  | 257 |
| XT with PLL Mode Example.....              | 125      | Internet Address .....                                   | 346 |
| Errata .....                               | 11       | Interrupt Control and Status Registers .....             | 90  |
| <b>F</b>                                   |          | IECx.....  | 90  |
| Fail-Safe Clock Monitor (FSCM) .....       | 135      | IFSx .....   | 90  |
| Flash Program Memory.....                  | 75       | INTCON1 .....  | 90  |
| Control Registers .....                    | 76       | INTCON2.....   | 90  |
| Operations .....                           | 76       | INTTREG.....   | 90  |
| Table Instructions.....                    | 75       | IPCx.....  | 90  |
| Flexible Configuration .....               | 251      | Interrupt Setup Procedures.....                          | 122 |
| <b>H</b>                                   |          | Initialization .....                                     | 122 |
| High-Speed 10-Bit ADC .....                | 225      | Interrupt Disable .....                                  | 122 |
| Description .....                          | 225      | Interrupt Service Routine .....                          | 122 |
| Features .....                             | 225      | Trap Service Routine .....                               | 122 |
| Functionality.....                         | 225      | Interrupt Vector Table (IVT).....                        | 87  |
| High-Speed Analog Comparator .....         | 243      | Interrupts Coincident with Power Save Instructions ..... | 138 |
| Applications.....                          | 244      | <b>J</b>   |     |
| Control Registers .....                    | 245      | JTAG Boundary Scan Interface .....                       | 251 |
| DAC .....                                  | 244      | JTAG Interface.....                                      | 258 |
| Digital Logic .....                        | 244      | <b>L</b>   |     |
| Hysteresis .....                           | 245      | LEBCONx (PWMx Leading-Edge Blanking Control) .....       | 202 |
| Input Range .....                          | 244      | <b>M</b>   |     |
| Interaction with I/O Buffers.....          | 245      | Master Clear (MCLR).....                                 | 18  |
| High-Speed PWM .....                       | 183      | Memory Organization .....                                | 37  |
| Control Registers .....                    | 186      | Microchip Internet Web Site.....                         | 346 |
| <b>I</b>                                   |          | Modulo Addressing .....                                  | 68  |
| I/O Ports.....                             | 145      | Applicability.....                                       | 69  |
| Helpful Tips .....                         | 152      | Operation Example .....                                  | 68  |
| Parallel I/O (PIO).....                    | 145      | Start and End Address .....                              | 68  |
| Resources.....                             | 152      | W Address Register Selection .....                       | 68  |
| Write/Read Timing .....                    | 147      | MPLAB ASM30 Assembler, Linker, Librarian .....           | 268 |
| i <sup>2</sup> C                           |          | MPLAB Integrated Development                             |     |
| Operating Modes .....                      | 211      | Environment Software .....                               | 267 |
| Registers.....                             | 213      | MPLAB PM3 Device Programmer .....                        | 270 |
| In-Circuit Debugger .....                  | 258      | MPLAB REAL ICE In-Circuit Emulator System .....          | 269 |
| In-Circuit Emulation.....                  | 251      | MPLINK Object Linker/MPLIB Object Librarian .....        | 268 |
| In-Circuit Serial Programming (ICSP) ..... | 251, 258 | <b>O</b>   |     |
| Analog, Digital Pins Configuration .....   | 20       | Open-Drain Configuration.....                            | 147 |
| Pins .....                                 | 19       | Oscillator   |     |
| Input Capture .....                        | 177      | External Pins .....                                      | 19  |
| Input Change Notification.....             | 147      | Value Conditions on Start-up.....                        | 20  |
|  |          | Oscillator Configuration .....                           | 123 |
|  |          | Output Compare .....                                     | 179 |

# dsPIC33FJ06GS001/101A/102A/202A and dsPIC33FJ09GS302

## P

|   |     |
|---|-----|
| Packaging .....   | 319 |
| Details .....   | 321 |
| Marking .....   | 319 |
| Peripheral Module Disable (PMD) .....                                   | 138 |
| Peripheral Pin Select (PPS) .....                                       | 148 |
| Registers .....   | 153 |
| Pinout I/O Descriptions .....   | 15  |
| Power-on Reset (POR) .....  | 84  |
| Power-Saving Features .....   | 137 |
| Clock Frequency and Switching .....                                     | 137 |
| Program Address Space .....   | 37  |
| Construction .....  | 71  |
| Data Access from Program Memory Using<br>Program Space Visibility ..... | 74  |
| Data Access from Program Memory Using<br>Table Instructions .....       | 73  |
| Data Access from, Address Generation .....                              | 72  |
| Memory Maps .....   | 37  |
| Table Read Instructions   |     |
| TBLRDH .....  | 73  |
| TBLRDL .....  | 73  |
| Visibility Operation .....  | 74  |
| Program Memory  |     |
| Interrupt Vector .....  | 38  |
| Organization .....  | 38  |
| Reset Vector .....  | 38  |
| Pseudo-Random Generator .....   | 135 |

## R

|   |        |
|---|--------|
| Reader Response .....   | 347    |
| Reference Clock Generation .....                                | 125    |
| Register Maps   |        |
| Configuration Flash Bytes<br>(dsPIC33FJ06GS001/101A/X02A) ..... | 252    |
| Configuration Flash Bytes<br>(dsPIC33FJ09GS302) .....           | 252    |
| Registers   |        |
| ACLKCON (Auxiliary Clock Divisor Control) .....                 | 131    |
| ADCON (ADC Control) .....                                       | 231    |
| ADCPC0 (ADC Convert Pair Control 0) .....                       | 236    |
| ADCPC1 (ADC Convert Pair Control 1) .....                       | 238    |
| ADCPC3 (ADC Convert Pair Control 3) .....                       | 240    |
| ADPCFG (ADC Port Configuration) .....                           | 235    |
| ADSTAT (ADC Status) .....                                       | 233    |
| ALTDTRx (PWMx Alternate Dead-Time) .....                        | 195    |
| AUXCONx (PWM Auxiliary Control) .....                           | 204    |
| CHOP (PWM Chop Clock Generator) .....                           | 203    |
| CLKDIV (Clock Divisor) .....                                    | 128    |
| CMPCONx (Comparator Control x) .....                            | 246    |
| CMPDACx (Comparator DAC Control x) .....                        | 248    |
| Constant Current Source Calibration .....                       | 253    |
| CORCON (Core Control) .....                                     | 30, 91 |
| DTRx (PWMx Dead-Time) .....                                     | 195    |
| FCLCONx (PWMx Fault Current-Limit Control) .....                | 199    |
| I2C1CON (I2C1 Control) .....                                    | 213    |
| I2C1MSK (I2C1 Slave Mode Address Mask) .....                    | 217    |
| I2C1STAT (I2C1 Status) .....                                    | 215    |
| IC1CON (Input Capture 1 Control) .....                          | 178    |
| IEC0 (Interrupt Enable Control 0) .....                         | 101    |
| IEC1 (Interrupt Enable Control 1) .....                         | 102    |
| IEC3 (Interrupt Enable Control 3) .....                         | 103    |
| IEC4 (Interrupt Enable Control 4) .....                         | 103    |
| IEC5 (Interrupt Enable Control 5) .....                         | 104    |
| IEC6 (Interrupt Enable Control 6) .....                         | 105    |
| IEC7 (Interrupt Enable Control 7) .....                         | 106    |

|  |     |
|--|-----|
| IFS0 (Interrupt Flag Status 0) .....             | 95  |
| IFS1 (Interrupt Flag Status 1) .....             | 96  |
| IFS3 (Interrupt Flag Status 3) .....             | 97  |
| IFS4 (Interrupt Flag Status 4) .....             | 97  |
| IFS5 (Interrupt Flag Status 5) .....             | 98  |
| IFS6 (Interrupt Flag Status 6) .....             | 99  |
| IFS7 (Interrupt Flag Status 7) .....             | 100 |
| INTCON1 (Interrupt Control 1) .....              | 92  |
| INTCON2 (Interrupt Control 2) .....              | 94  |
| INTTREG (Interrupt Control and Status) .....     | 121 |
| IOCONx (PWMx I/O Control) .....                  | 197 |
| IPC0 (Interrupt Priority Control 0) .....        | 107 |
| IPC1 (Interrupt Priority Control 1) .....        | 108 |
| IPC14 (Interrupt Priority Control 14) .....      | 113 |
| IPC16 (Interrupt Priority Control 16) .....      | 113 |
| IPC2 (Interrupt Priority Control 2) .....        | 109 |
| IPC20 (Interrupt Priority Control 20) .....      | 114 |
| IPC23 (Interrupt Priority Control 23) .....      | 115 |
| IPC24 (Interrupt Priority Control 24) .....      | 116 |
| IPC25 (Interrupt Priority Control 25) .....      | 117 |
| IPC27 (Interrupt Priority Control 27) .....      | 118 |
| IPC28 (Interrupt Priority Control 28) .....      | 119 |
| IPC29 (Interrupt Priority Control 29) .....      | 120 |
| IPC3 (Interrupt Priority Control 3) .....        | 110 |
| IPC4 (Interrupt Priority Control 4) .....        | 111 |
| IPC5 (Interrupt Priority Control 5) .....        | 112 |
| IPC7 (Interrupt Priority Control 7) .....        | 112 |
| ISRCCON (Constant Current Source Control) .....  | 250 |
| LFSR (Linear Feedback Shift) .....               | 133 |
| MDC (PWM Master Duty Cycle) .....                | 189 |
| NVMCON (Flash Memory Control) .....              | 77  |
| NVMKEY (Nonvolatile Memory Key) .....            | 78  |
| OC1CON (Output Compare 1 Control) .....          | 181 |
| OSCCON (Oscillator Control) .....                | 126 |
| OSCTUN (Oscillator Tuning) .....                 | 130 |
| PDCx (PWMx Generator Duty Cycle) .....           | 192 |
| PHASEx (PWMx Primary Phase Shift) .....          | 193 |
| PLLFBF (PLL Feedback Divisor) .....              | 129 |
| PMD1 (Peripheral Module Disable Control 1) ..... | 139 |
| PMD2 (Peripheral Module Disable Control 2) ..... | 140 |
| PMD3 (Peripheral Module Disable Control 3) ..... | 141 |
| PMD4 (Peripheral Module Disable Control 4) ..... | 141 |
| PMD6 (Peripheral Module Disable Control 6) ..... | 142 |
| PMD7 (Peripheral Module Disable Control 7) ..... | 143 |
| PMD8 (Peripheral Module Disable Control 8) ..... | 144 |
| PTCON (PWM Time Base Control) .....              | 187 |
| PTCON2 (PWM Clock Divider Select 2) .....        | 188 |
| PTPER (PWM Master Time Base) .....               | 188 |
| PWMCAPx (Primary PWMx Time Base Capture) .....   | 203 |
| PWMCONx (PWMx Control) .....                     | 190 |
| RCON (Reset Control) .....                       | 80  |
| REFOCON (Reference Oscillator Control) .....     | 132 |
| RPINR0 (Peripheral Pin Select Input 0) .....     | 153 |
| RPINR1 (Peripheral Pin Select Input 1) .....     | 154 |
| RPINR11 (Peripheral Pin Select Input 11) .....   | 158 |
| RPINR18 (Peripheral Pin Select Input 18) .....   | 159 |
| RPINR2 (Peripheral Pin Select Input 2) .....     | 155 |
| RPINR20 (Peripheral Pin Select Input 20) .....   | 160 |
| RPINR21 (Peripheral Pin Select Input 21) .....   | 161 |
| RPINR29 (Peripheral Pin Select Input 29) .....   | 162 |
| RPINR3 (Peripheral Pin Select Input 3) .....     | 156 |
| RPINR30 (Peripheral Pin Select Input 30) .....   | 163 |
| RPINR31 (Peripheral Pin Select Input 31) .....   | 164 |
| RPINR32 (Peripheral Pin Select Input 32) .....   | 165 |
| RPINR33 (Peripheral Pin Select Input 33) .....   | 166 |
| RPINR34 (Peripheral Pin Select Input 34) .....   | 167 |

# dsPIC33FJ06GS001/101A/102A/202A and dsPIC33FJ09GS302

|  |        |   |     |
|--|--------|---|-----|
| RPINR7 (Peripheral Pin Select Input 7).....  | 157    | High-Speed PWM Generator 2 for<br>dsPIC33FJ06GS102A, dsPIC33FJ06GS202A,<br>dsPIC33FJ09GS302.....        | 53  |
| RPOR0 (Peripheral Pin Select Output 0).....  | 168    | High-Speed PWM Generator 4 for dsPIC33FJ06GS001,<br>dsPIC33FJ06GS101A, dsPIC33FJ09GS302 .....           | 54  |
| RPOR1 (Peripheral Pin Select Output 1).....  | 168    | I2C1 .....  | 55  |
| RPOR16 (Peripheral Pin Select Output 16).....  | 172    | Input Capture for dsPIC33FJ06GS202A,<br>dsPIC33FJ09GS302.....   | 51  |
| RPOR17 (Peripheral Pin Select Output 17).....  | 172    | Interrupt Controller for dsPIC33FJ06GS001 .....   | 46  |
| RPOR2 (Peripheral Pin Select Output 2).....  | 169    | Interrupt Controller for dsPIC33FJ06GS002A.....   | 48  |
| RPOR3 (Peripheral Pin Select Output 3).....  | 169    | Interrupt Controller for dsPIC33FJ06GS101A.....   | 47  |
| RPOR4 (Peripheral Pin Select Output 4).....  | 170    | Interrupt Controller for dsPIC33FJ06GS202A.....   | 49  |
| RPOR5 (Peripheral Pin Select Output 5).....  | 170    | Interrupt Controller for dsPIC33FJ09GS302 .....   | 50  |
| RPOR6 (Peripheral Pin Select Output 6).....  | 171    | NVM.....  | 63  |
| RPOR7 (Peripheral Pin Select Output 7).....  | 171    | Output Compare for dsPIC33FJ06GS101A,<br>dsPIC33FJ06GS102A, dsPIC33FJ06GS202A,<br>dsPIC33FJ09GS302..... | 51  |
| SDCx (PWMx Secondary Duty Cycle).....  | 192    | Peripheral Pin Select Input for dsPIC33FJ06GS001 .....  | 59  |
| SEVTCMP (PWM Special Event Compare).....   | 189    | Peripheral Pin Select Input for dsPIC33FJ06GS101A,<br>dsPIC33FJ06GS102A .....                           | 59  |
| SPHASEx (PWMx Secondary Phase Shift) .....   | 194    | Peripheral Pin Select Input for dsPIC33FJ06GS202A,<br>dsPIC33FJ09GS302.....                             | 60  |
| SPIxCON1 (SPIx Control 1).....   | 208    | Peripheral Pin Select Output for dsPIC33FJ06GS001,<br>dsPIC33FJ06GS101A .....                           | 60  |
| SPIxCON2 (SPIx Control 2).....   | 210    | Peripheral Pin Select Output for dsPIC33FJ06GS102A,<br>dsPIC33FJ06GS202A, dsPIC33FJ09GS302 .....        | 61  |
| SPIxSTAT (SPIx Status and Control) .....   | 207    | PMD for dsPIC33FJ06GS001.....   | 64  |
| SR (CPU STATUS).....   | 91     | PMD for dsPIC33FJ06GS101A .....   | 64  |
| SR (CPU Status).....   | 28     | PMD for dsPIC33FJ06GS102A .....   | 64  |
| STRIGx (PWMx Secondary Trigger<br>Compare Value).....                                  | 201    | PMD for dsPIC33FJ06GS202A .....   | 65  |
| T1CON (Timer1 Control).....  | 174    | PMD for dsPIC33FJ09GS302.....   | 65  |
| T2CON (Timer2 Control).....  | 176    | PORTA .....   | 62  |
| TRGCONx (PWMx Trigger Control).....  | 196    | PORTB for dsPIC33FJ06GS001,<br>dsPIC33FJ06GS101A .....  | 62  |
| TRIGx (PWMx Primary Trigger Compare Value).....  | 201    | PORTB for dsPIC33FJ06GS102A,<br>dsPIC33FJ06GS202A, dsPIC33FJ09GS302 .....                               | 62  |
| U1MODE (UART1 Mode) .....  | 221    | SPI1 for dsPIC33FJ06GS101A, dsPIC33FJ06GS102A,<br>dsPIC33FJ09GS202A, dsPIC33FJ09GS302 .....             | 55  |
| U1STA (UART1 Status and Control) .....   | 223    | System Control .....  | 63  |
| <b>Reset</b>   |        | Timers.....   | 51  |
| Brown-out Reset (BOR).....   | 79, 84 | UART1 for dsPIC33FJ06GS101A,<br>dsPIC33FJ06GS102A, dsPIC33FJ06GS202A,<br>dsPIC33FJ09GS302 .....         | 55  |
| Configuration Mismatch Reset (CM).....   | 79     | Software RESET Instruction (SWR) .....  | 85  |
| Illegal Condition Device Reset (IOPUWR).....   | 79     | Software Simulator (MPLAB SIM) .....  | 269 |
| Illegal Opcode .....   | 79     | Software Stack Pointer, Frame Pointer<br>CALL Stack Frame .....   | 66  |
| Security .....   | 79     | Symbols Used in Opcode Descriptions .....   | 260 |
| Uninitialized W Register.....  | 79     | <b>T</b>  |     |
| Illegal Device Reset .....   | 85     | Thermal Packaging Characteristics .....   | 272 |
| Illegal Opcode .....   | 85     | Timer1.....   | 173 |
| Master Clear Reset (MCLR) .....  | 79     | Timer2.....   | 175 |
| Power-on Reset (POR).....  | 79     | Timing Diagrams   |     |
| Power-up Timer Reset (PWRT).....   | 84     | Analog-to-Digital Conversion per Input.....   | 310 |
| Software RESET Instruction .....   | 79     | Brown-out Situations.....   | 84  |
| System Reset   |        | External Clock.....   | 283 |
| Cold Reset .....   | 82     | High-Speed PWM .....  | 292 |
| Warm Reset.....  | 82     | High-Speed PWM Fault.....   | 292 |
| Trap Conflict.....   | 85     | I/O .....   | 286 |
| Trap Conflict Reset (TRAPR).....   | 79     | I2C1 Bus Data (Master Mode).....  | 305 |
| Uninitialized W Register.....  | 85     | I2C1 Bus Data (Slave Mode).....   | 307 |
| Watchdog Timer Out Reset (WDTO).....   | 79     | I2C1 Bus Start/Stop Bits (Master Mode).....   | 305 |
| Reset Sequence.....  | 87     | I2C1 Bus Start/Stop Bits (Slave Mode).....  | 307 |
| Revision History .....   | 339    | Input Capture (CAP1) .....  | 290 |
| <b>S</b>   |        | OC/PWM.....   | 291 |
| Serial Peripheral Interface (SPI) .....  | 205    |   |     |
| SFR Maps   |        |   |     |
| Change Notification for<br>dsPIC33FJ06GS001, dsPIC33FJ06GS101A.....                    | 45     |   |     |
| Change Notification for dsPIC33FJ06GS102A,<br>dsPIC33FJ06GS202A, dsPIC33FJ09GS302..... | 45     |   |     |
| Constant Current Source .....  | 56     |   |     |
| CPU Core.....  | 43     |   |     |
| High-Speed 10-Bit ADC for dsPIC33FJ06GS001,<br>dsPIC33FJ06GS101A.....                  | 56     |   |     |
| High-Speed 10-Bit ADC for dsPIC33FJ06GS102A,<br>dsPIC33FJ06GS202A.....                 | 57     |   |     |
| High-Speed 10-Bit ADC for dsPIC33FJ09GS302.....  | 58     |   |     |
| High-Speed PWM .....   | 52     |   |     |
| High-Speed PWM Generator 1 .....   | 52     |   |     |



# dsPIC33FJ06GS001/101A/102A/202A and dsPIC33FJ09GS302

|   |     |   |          |
|---|-----|---|----------|
| Output Compare (OC1).....                     | 290 | Reset, Watchdog Timer, Oscillator Start-up    |          |
| Reset, Watchdog Timer, Oscillator Start-up    |     | Timer, Power-up Timer and Brown-out           |          |
| Timer and Power-up Timer .....                | 287 | Reset Requirements.....                       | 287      |
| SPIx Master Mode (Full-Duplex, CKE = 0,       |     | Simple OC/PWM Mode Requirements .....         | 291      |
| CKP = x, SMP = 1) .....                       | 296 | SPIx Master Mode (Full-Duplex, CKE = 0,       |          |
| SPIx Master Mode (Full-Duplex, CKE = 1,       |     | CKP = x, SMP = 1) Requirements.....           | 296      |
| CKP = x, SMP = 1) .....                       | 295 | SPIx Master Mode (Full-Duplex, CKE = 1,       |          |
| SPIx Master Mode (Half-Duplex, Transmit Only, |     | CKP = x, SMP = 1) Requirements.....           | 295      |
| CKE = 0) .....                                | 293 | SPIx Master Mode (Half-Duplex, Transmit Only) |          |
| SPIx Master Mode (Half-Duplex, Transmit Only, |     | Requirements .....                            | 294      |
| CKE = 1) .....                                | 294 | SPIx Maximum Data Clock Rate Summary.....     | 293      |
| SPIx Slave Mode (Full-Duplex, CKE = 0,        |     | SPIx Slave Mode (Full-Duplex, CKE = 0,        |          |
| CKP = 0, SMP = 0) .....                       | 303 | CKP = 0, SMP = 0) Requirements.....           | 304      |
| SPIx Slave Mode (Full-Duplex, CKE = 0,        |     | SPIx Slave Mode (Full-Duplex, CKE = 0,        |          |
| CKP = 1, SMP = 0) .....                       | 301 | CKP = 1, SMP = 0) Requirements.....           | 302      |
| SPIx Slave Mode (Full-Duplex, CKE = 1,        |     | SPIx Slave Mode (Full-Duplex, CKE = 1,        |          |
| CKP = 0, SMP = 0) .....                       | 297 | CKP = 0, SMP = 0) Requirements.....           | 298      |
| SPIx Slave Mode (Full-Duplex, CKE = 1,        |     | SPIx Slave Mode (Full-Duplex, CKE = 1,        |          |
| CKP = 1, SMP = 0) .....                       | 299 | CKP = 1, SMP = 0) Requirements.....           | 300      |
| System Reset.....                             | 83  | Timer1 External Clock Requirements .....      | 288      |
| Timer1, Timer2 External Clock .....           | 288 | Timer2 External Clock Requirements .....      | 289      |
| Timing Specifications                         |     |   |          |
| 10-Bit High-Speed ADC .....                   | 309 | <b>U</b>                                      |          |
| 10-Bit High-Speed ADC Requirements.....       | 310 | Universal Asynchronous Receiver               |          |
| Auxiliary PLL Clock .....                     | 284 | Transmitter (UART) .....                      | 219      |
| Capacitive Loading Requirements on            |     | Helpful Tips.....                             | 220      |
| Output Pins .....                             | 282 | Resources .....                               | 220      |
| Constant Current Source .....                 | 313 | Using the RCON Status Bits.....               | 86       |
| DAC .....                                     | 311 | <b>V</b>                                      |          |
| DAC Gain Stage to Comparator .....            | 312 | Voltage Regulator (On-Chip) .....             | 256      |
| External Clock Requirements .....             | 283 | <b>W</b>                                      |          |
| High-Speed ADC Comparator .....               | 311 | Watchdog Timer (WDT).....                     | 251, 257 |
| High-Speed PWM Requirements.....              | 292 | Watchdog Timer Time-out Reset (WDTO) .....    | 85       |
| I/O Requirements.....                         | 286 | WWW Address .....                             | 346      |
| I2C1 Bus Data Requirements (Master Mode)..... | 306 | WWW, On-Line Support .....                    | 11       |
| I2C1 Bus Data Requirements (Slave Mode).....  | 308 |   |          |
| Input Capture Requirements.....               | 290 |   |          |
| Output Compare Requirements .....             | 290 |   |          |
| PLL Clock.....                                | 284 |   |          |

NOTES:

## THE MICROCHIP WEB SITE

Microchip provides online support via our WWW site at [www.microchip.com](http://www.microchip.com). This web site is used as a means to make files and information easily available to customers. Accessible by using your favorite Internet browser, the web site contains the following information:

- **Product Support** – Data sheets and errata, application notes and sample programs, design resources, user's guides and hardware support documents, latest software releases and archived software
- **General Technical Support** – Frequently Asked Questions (FAQs), technical support requests, online discussion groups, Microchip consultant program member listing
- **Business of Microchip** – Product selector and ordering guides, latest Microchip press releases, listing of seminars and events, listings of Microchip sales offices, distributors and factory representatives

## CUSTOMER CHANGE NOTIFICATION SERVICE

Microchip's customer notification service helps keep customers current on Microchip products. Subscribers will receive e-mail notification whenever there are changes, updates, revisions or errata related to a specified product family or development tool of interest.

To register, access the Microchip web site at [www.microchip.com](http://www.microchip.com). Under "Support", click on "Customer Change Notification" and follow the registration instructions.

## CUSTOMER SUPPORT

Users of Microchip products can receive assistance through several channels:

- Distributor or Representative
- Local Sales Office
- Field Application Engineer (FAE)
- Technical Support
- Development Systems Information Line

Customers should contact their distributor, representative or field application engineer (FAE) for support. Local sales offices are also available to help customers. A listing of sales offices and locations is included in the back of this document.

**Technical support is available through the web site at: <http://microchip.com/support>**

**READER RESPONSE**

It is our intention to provide you with the best documentation possible to ensure successful use of your Microchip product. If you wish to provide your comments on organization, clarity, subject matter, and ways in which our documentation can better serve you, please FAX your comments to the Technical Publications Manager at (480) 792-4150.

Please list the following information, and use this outline to provide us with your comments about this document.

TO: Technical Publications Manager Total Pages Sent \_\_\_\_\_

RE: Reader Response

From: Name \_\_\_\_\_

Company \_\_\_\_\_

Address \_\_\_\_\_

City / State / ZIP / Country \_\_\_\_\_

Telephone: (\_\_\_\_\_) \_\_\_\_\_ - \_\_\_\_\_ FAX: (\_\_\_\_\_) \_\_\_\_\_ - \_\_\_\_\_

Application (optional):

Would you like a reply?  Y  N

Device: dsPIC33FJ06GS001/101A/102A/202A and  
dsPIC33FJ09GS302

Literature Number: DS75018C

Questions:

1. What are the best features of this document?

\_\_\_\_\_  
\_\_\_\_\_

2. How does this document meet your hardware and software development needs?

\_\_\_\_\_  
\_\_\_\_\_

3. Do you find the organization of this document easy to follow? If not, why?

\_\_\_\_\_  
\_\_\_\_\_

4. What additions to the document do you think would enhance the structure and subject?

\_\_\_\_\_  
\_\_\_\_\_

5. What deletions from the document could be made without affecting the overall usefulness?

\_\_\_\_\_  
\_\_\_\_\_

6. Is there any incorrect or misleading information (what and where)?

\_\_\_\_\_  
\_\_\_\_\_

7. How would you improve this document?

\_\_\_\_\_  
\_\_\_\_\_

## PRODUCT IDENTIFICATION SYSTEM

To order or obtain information, e.g., on pricing or delivery, refer to the factory or the listed sales office.

| dsPIC 33 FJ 06 GS0 01 T - E / SP - XXX    |       | Examples:  |
|---|-------|--|
| <b>Microchip Trademark</b>                | _____ | a) dsPIC33FJ06GS001-I/SS:<br>SMPS dsPIC33, 6-Kbyte program memory, 20-pin, Industrial temp., SSOP package. |
| <b>Architecture</b>                       | _____ |  |
| <b>Flash Memory Family</b>                | _____ |  |
| <b>Program Memory Size (KB)</b>           | _____ |  |
| <b>Product Group</b>                      | _____ |  |
| <b>Pin Count</b>                          | _____ |  |
| <b>Tape and Reel Flag (if applicable)</b> | _____ |  |
| <b>Temperature Range</b>                  | _____ |  |
| <b>Package</b>                            | _____ |  |
| <b>Pattern</b>                            | _____ |  |

|                      |     |   |  |
|----------------------|-----|---|--|
| Architecture:        | 33  | = | 16-bit Digital Signal Controller                             |
| Flash Memory Family: | FJ  | = | Flash program memory, 3.3V                                   |
| Product Group:       | GS0 | = | Switch Mode Power Supply (SMPS) family                       |
|                      | GS1 | = | Switch Mode Power Supply (SMPS) family                       |
|                      | GS2 | = | Switch Mode Power Supply (SMPS) family                       |
|                      | GS3 | = | Switch Mode Power Supply (SMPS) family                       |
| Pin Count:           | 01  | = | 18-pin, 20-pin   |
|                      | 02  | = | 28-pin, 36-pin   |
| Temperature Range:   | I   | = | -40°C to+85°C (Industrial)                                   |
|                      | E   | = | -40°C to+125°C (Extended)                                    |
| Package:             | P   | = | Plastic Dual In-line – 300 mil (PDIP)                        |
|                      | SO  | = | Plastic Small Outline – Wide – 7.50 mm body (SOIC)           |
|                      | SS  | = | Plastic Shrink Small Outline – 5.30 mm body (SSOP)           |
|                      | SP  | = | Skinny Plastic Dual In-Line – 300 mil body (SPDIP)           |
|                      | MM  | = | Plastic Quad Flat, No Lead Package – 6x6x0.9 mm body (QFN-S) |
|                      | TL  | = | Very Thin Leadless Array – 5x5x0.9 mm body (VTLA)            |

NOTES:

---

**Note the following details of the code protection feature on Microchip devices:**

- Microchip products meet the specification contained in their particular Microchip Data Sheet.
- Microchip believes that its family of products is one of the most secure families of its kind on the market today, when used in the intended manner and under normal conditions.
- There are dishonest and possibly illegal methods used to breach the code protection feature. All of these methods, to our knowledge, require using the Microchip products in a manner outside the operating specifications contained in Microchip's Data Sheets. Most likely, the person doing so is engaged in theft of intellectual property.
- Microchip is willing to work with the customer who is concerned about the integrity of their code.
- Neither Microchip nor any other semiconductor manufacturer can guarantee the security of their code. Code protection does not mean that we are guaranteeing the product as “unbreakable.”

Code protection is constantly evolving. We at Microchip are committed to continuously improving the code protection features of our products. Attempts to break Microchip's code protection feature may be a violation of the Digital Millennium Copyright Act. If such acts allow unauthorized access to your software or other copyrighted work, you may have a right to sue for relief under that Act.

---

Information contained in this publication regarding device applications and the like is provided only for your convenience and may be superseded by updates. It is your responsibility to ensure that your application meets with your specifications. MICROCHIP MAKES NO REPRESENTATIONS OR WARRANTIES OF ANY KIND WHETHER EXPRESS OR IMPLIED, WRITTEN OR ORAL, STATUTORY OR OTHERWISE, RELATED TO THE INFORMATION, INCLUDING BUT NOT LIMITED TO ITS CONDITION, QUALITY, PERFORMANCE, MERCHANTABILITY OR FITNESS FOR PURPOSE. Microchip disclaims all liability arising from this information and its use. Use of Microchip devices in life support and/or safety applications is entirely at the buyer's risk, and the buyer agrees to defend, indemnify and hold harmless Microchip from any and all damages, claims, suits, or expenses resulting from such use. No licenses are conveyed, implicitly or otherwise, under any Microchip intellectual property rights.

**Trademarks**

The Microchip name and logo, the Microchip logo, dsPIC, KEELOQ, KEELOQ logo, MPLAB, PIC, PICmicro, PICSTART, PIC<sup>32</sup> logo, rPIC and UNI/O are registered trademarks of Microchip Technology Incorporated in the U.S.A. and other countries.

FilterLab, Hampshire, HI-TECH C, Linear Active Thermistor, MXDEV, MXLAB, SEEVAL and The Embedded Control Solutions Company are registered trademarks of Microchip Technology Incorporated in the U.S.A.

Analog-for-the-Digital Age, Application Maestro, BodyCom, chipKIT, chipKIT logo, CodeGuard, dsPICDEM, dsPICDEM.net, dsPICworks, dsSPEAK, ECAN, ECONOMONITOR, FanSense, HI-TIDE, In-Circuit Serial Programming, ICSP, Mindi, MiWi, MPASM, MPLAB Certified logo, MPLIB, MPLINK, mTouch, Omniscient Code Generation, PICC, PICC-18, PICDEM, PICDEM.net, PICKit, PICTail, REAL ICE, rLAB, Select Mode, Total Endurance, TSHARC, UniWinDriver, WiperLock and ZENA are trademarks of Microchip Technology Incorporated in the U.S.A. and other countries.

SQTP is a service mark of Microchip Technology Incorporated in the U.S.A.

All other trademarks mentioned herein are property of their respective companies.

© 2011-2012, Microchip Technology Incorporated, Printed in the U.S.A., All Rights Reserved.

 Printed on recycled paper.

ISBN: 978-1-62076-494-7

*Microchip received ISO/TS-16949:2009 certification for its worldwide headquarters, design and wafer fabrication facilities in Chandler and Tempe, Arizona; Gresham, Oregon and design centers in California and India. The Company's quality system processes and procedures are for its PIC<sup>®</sup> MCUs and dsPIC<sup>®</sup> DSCs, KEELOQ<sup>®</sup> code hopping devices, Serial EEPROMs, microperipherals, nonvolatile memory and analog products. In addition, Microchip's quality system for the design and manufacture of development systems is ISO 9001:2000 certified.*

---

**QUALITY MANAGEMENT SYSTEM  
CERTIFIED BY DNV  
= ISO/TS 16949 =**



# MICROCHIP

## Worldwide Sales and Service

### AMERICAS

**Corporate Office**  
2355 West Chandler Blvd.  
Chandler, AZ 85224-6199  
Tel: 480-792-7200  
Fax: 480-792-7277  
Technical Support:  
<http://www.microchip.com/support>  
Web Address:  
[www.microchip.com](http://www.microchip.com)

**Atlanta**  
Duluth, GA  
Tel: 678-957-9614  
Fax: 678-957-1455

**Boston**  
Westborough, MA  
Tel: 774-760-0087  
Fax: 774-760-0088

**Chicago**  
Itasca, IL  
Tel: 630-285-0071  
Fax: 630-285-0075

**Cleveland**  
Independence, OH  
Tel: 216-447-0464  
Fax: 216-447-0643

**Dallas**  
Addison, TX  
Tel: 972-818-7423  
Fax: 972-818-2924

**Detroit**  
Farmington Hills, MI  
Tel: 248-538-2250  
Fax: 248-538-2260

**Indianapolis**  
Noblesville, IN  
Tel: 317-773-8323  
Fax: 317-773-5453

**Los Angeles**  
Mission Viejo, CA  
Tel: 949-462-9523  
Fax: 949-462-9608

**Santa Clara**  
Santa Clara, CA  
Tel: 408-961-6444  
Fax: 408-961-6445

**Toronto**  
Mississauga, Ontario,  
Canada  
Tel: 905-673-0699  
Fax: 905-673-6509

### ASIA/PACIFIC

**Asia Pacific Office**  
Suites 3707-14, 37th Floor  
Tower 6, The Gateway  
Harbour City, Kowloon  
Hong Kong  
Tel: 852-2401-1200  
Fax: 852-2401-3431

**Australia - Sydney**  
Tel: 61-2-9868-6733  
Fax: 61-2-9868-6755

**China - Beijing**  
Tel: 86-10-8569-7000  
Fax: 86-10-8528-2104

**China - Chengdu**  
Tel: 86-28-8665-5511  
Fax: 86-28-8665-7889

**China - Chongqing**  
Tel: 86-23-8980-9588  
Fax: 86-23-8980-9500

**China - Hangzhou**  
Tel: 86-571-2819-3187  
Fax: 86-571-2819-3189

**China - Hong Kong SAR**  
Tel: 852-2401-1200  
Fax: 852-2401-3431

**China - Nanjing**  
Tel: 86-25-8473-2460  
Fax: 86-25-8473-2470

**China - Qingdao**  
Tel: 86-532-8502-7355  
Fax: 86-532-8502-7205

**China - Shanghai**  
Tel: 86-21-5407-5533  
Fax: 86-21-5407-5066

**China - Shenyang**  
Tel: 86-24-2334-2829  
Fax: 86-24-2334-2393

**China - Shenzhen**  
Tel: 86-755-8203-2660  
Fax: 86-755-8203-1760

**China - Wuhan**  
Tel: 86-27-5980-5300  
Fax: 86-27-5980-5118

**China - Xian**  
Tel: 86-29-8833-7252  
Fax: 86-29-8833-7256

**China - Xiamen**  
Tel: 86-592-2388138  
Fax: 86-592-2388130

**China - Zhuhai**  
Tel: 86-756-3210040  
Fax: 86-756-3210049

### ASIA/PACIFIC

**India - Bangalore**  
Tel: 91-80-3090-4444  
Fax: 91-80-3090-4123

**India - New Delhi**  
Tel: 91-11-4160-8631  
Fax: 91-11-4160-8632

**India - Pune**  
Tel: 91-20-2566-1512  
Fax: 91-20-2566-1513

**Japan - Osaka**  
Tel: 81-66-152-7160  
Fax: 81-66-152-9310

**Japan - Yokohama**  
Tel: 81-45-471-6166  
Fax: 81-45-471-6122

**Korea - Daegu**  
Tel: 82-53-744-4301  
Fax: 82-53-744-4302

**Korea - Seoul**  
Tel: 82-2-554-7200  
Fax: 82-2-558-5932 or  
82-2-558-5934

**Malaysia - Kuala Lumpur**  
Tel: 60-3-6201-9857  
Fax: 60-3-6201-9859

**Malaysia - Penang**  
Tel: 60-4-227-8870  
Fax: 60-4-227-4068

**Philippines - Manila**  
Tel: 63-2-634-9065  
Fax: 63-2-634-9069

**Singapore**  
Tel: 65-6334-8870  
Fax: 65-6334-8850

**Taiwan - Hsin Chu**  
Tel: 886-3-5778-366  
Fax: 886-3-5770-955

**Taiwan - Kaohsiung**  
Tel: 886-7-536-4818  
Fax: 886-7-330-9305

**Taiwan - Taipei**  
Tel: 886-2-2500-6610  
Fax: 886-2-2508-0102

**Thailand - Bangkok**  
Tel: 66-2-694-1351  
Fax: 66-2-694-1350

### EUROPE

**Austria - Wels**  
Tel: 43-7242-2244-39  
Fax: 43-7242-2244-393

**Denmark - Copenhagen**  
Tel: 45-4450-2828  
Fax: 45-4485-2829

**France - Paris**  
Tel: 33-1-69-53-63-20  
Fax: 33-1-69-30-90-79

**Germany - Munich**  
Tel: 49-89-627-144-0  
Fax: 49-89-627-144-44

**Italy - Milan**  
Tel: 39-0331-742611  
Fax: 39-0331-466781

**Netherlands - Drunen**  
Tel: 31-416-690399  
Fax: 31-416-690340

**Spain - Madrid**  
Tel: 34-91-708-08-90  
Fax: 34-91-708-08-91

**UK - Wokingham**  
Tel: 44-118-921-5869  
Fax: 44-118-921-5820

11/29/11





Компания «ЭлектроПласт» предлагает заключение долгосрочных отношений при поставках импортных электронных компонентов на взаимовыгодных условиях!

Наши преимущества:

- Оперативные поставки широкого спектра электронных компонентов отечественного и импортного производства напрямую от производителей и с крупнейших мировых складов;
- Поставка более 17-ти миллионов наименований электронных компонентов;
- Поставка сложных, дефицитных, либо снятых с производства позиций;
- Оперативные сроки поставки под заказ (от 5 рабочих дней);
- Экспресс доставка в любую точку России;
- Техническая поддержка проекта, помощь в подборе аналогов, поставка прототипов;
- Система менеджмента качества сертифицирована по Международному стандарту ISO 9001;
- Лицензия ФСБ на осуществление работ с использованием сведений, составляющих государственную тайну;
- Поставка специализированных компонентов (Xilinx, Altera, Analog Devices, Intersil, Interpoint, Microsemi, Aeroflex, Peregrine, Syfer, Eurofarad, Texas Instrument, Miteq, Cobham, E2V, MA-COM, Hittite, Mini-Circuits, General Dynamics и др.);

Помимо этого, одним из направлений компании «ЭлектроПласт» является направление «Источники питания». Мы предлагаем Вам помощь Конструкторского отдела:

- Подбор оптимального решения, техническое обоснование при выборе компонента;
- Подбор аналогов;
- Консультации по применению компонента;
- Поставка образцов и прототипов;
- Техническая поддержка проекта;
- Защита от снятия компонента с производства.



#### Как с нами связаться

**Телефон:** 8 (812) 309 58 32 (многоканальный)

**Факс:** 8 (812) 320-02-42

**Электронная почта:** [org@eplast1.ru](mailto:org@eplast1.ru)

**Адрес:** 198099, г. Санкт-Петербург, ул. Калинина, дом 2, корпус 4, литера А.