

Low-Jitter Precision CMOS Oscillator

Features

- Low RMS Phase Jitter: <1 ps (typ.)
- High Stability: ± 10 ppm, ± 20 ppm, ± 25 ppm, ± 50 ppm
- Wide Temperature Range:
 - Automotive: -55°C to $+125^{\circ}\text{C}$
 - Ext. Industrial: -40°C to $+105^{\circ}\text{C}$
 - Industrial: -40°C to $+85^{\circ}\text{C}$
 - Commercial: -20°C to $+70^{\circ}\text{C}$
- High Supply Noise Rejection: -50 dBc
- Wide Freq. Range: 2.3 MHz to 170 MHz
- Small Industry Standard Footprints
 - 2.5 mm x 2.0 mm, 3.2 mm x 2.5 mm, 5.0 mm x 3.2 mm, and 7.0 mm x 5.0 mm
- Excellent Shock and Vibration Immunity
 - Qualified to MIL-STD-883
- High Reliability
 - 20x Better MTF than Quartz Oscillators
- Low Current Consumption
- Supply Range of 2.25 to 3.6V
- Standby and Output Enable Function
- Lead-Free and RoHS Compliant

Applications

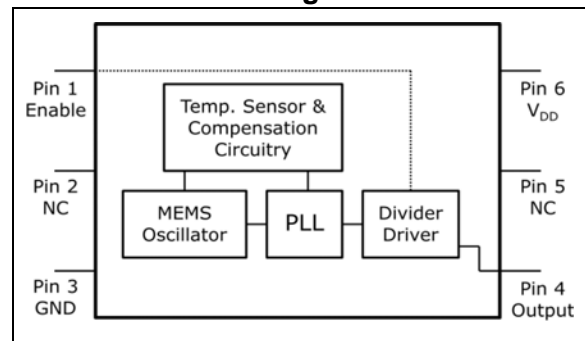
- Storage Area Networks
 - SATA, SAS, Fibre Channel
- Passive Optical Networks
 - EPON, 10G-EPON, V GPON, 10G-PON
- Ethernet
 - 1G, 10GBASE-T/KR/LR/SR, and FCoE
- HD/SD/SDI Video and Surveillance
- PCI Express
- Display Port

General Description

The DSC1101 and DSC1121 series of high performance oscillators utilize a proven silicon MEMS technology to provide excellent jitter and stability over a wide range of supply voltages and temperatures. By eliminating the need for quartz or SAW technology, MEMS oscillators significantly enhance reliability and accelerate product development, while meeting stringent clock performance criteria for a variety of communications, storage, and networking applications.

DSC1101 has a standby feature that allows it to completely power-down when EN pin is pulled low; whereas for DSC1121, only the outputs are disabled when EN is low. Both oscillators are available in industry standard packages, including the small 2.5 mm x 2.0 mm, and are “drop-in” replacements for standard 4-pin CMOS quartz crystal oscillators.

Functional Block Diagram



DSC1101/21

1.0 ELECTRICAL CHARACTERISTICS

Absolute Maximum Ratings †

| | |
|----------------------------------|-----------------------------|
| Input Voltage, V_{IN} | -0.3V to $V_{DD} + 0.3V$ |
| Supply Voltage | -0.3V to +4.0V |
| ESD Protection On All Pins | 4000V HBM, 1500V CDM (max.) |

† **Notice:** Stresses above those listed under “Absolute Maximum Ratings” may cause permanent damage to the device. This is a stress rating only and functional operation of the device at those or any other conditions above those indicated in the operational sections of this specification is not intended. Exposure to maximum rating conditions for extended periods may affect device reliability.

Note: 1000+ years of data retention on internal memory.

TABLE 1-1: DC CHARACTERISTICS

| Electrical Characteristics | | | | | | |
|--|------------|----------------------|------|---------------------|------------|--|
| Parameters | Sym. | Min. | Typ. | Max. | Units | Conditions |
| Supply Voltage (Note 1) | V_{DD} | 2.25 | — | 3.6 | V | — |
| Supply Current | I_{DD} | — | — | 0.095 | mA | DSC1101, EN pin low, output is disabled |
| | | — | 20 | 22 | | DSC1121, EN pin low, output is disabled |
| | | — | 31 | 35 | | Output enabled, $C_L = 15$ pF, $F_0 = 100$ MHz |
| Frequency Stability (Including frequency variations due to initial tolerance, temp. and power supply voltage.) | Δf | — | — | ± 10 | ppm | Ext Comm. & Ind. only |
| | | — | — | ± 20 | | All temp ranges |
| | | — | — | ± 25 | | All temp ranges |
| | | — | — | ± 50 | | All temp ranges |
| Aging | Δf | — | — | ± 5 | ppm | 1 year @ 25°C |
| Startup Time (Note 2) | t_{SU} | — | — | 5 | ms | T = 25°C |
| Input Logic Levels Input Logic High Input Logic Low | V_{IH} | $0.75 \times V_{DD}$ | — | — | V | — |
| | V_{IL} | — | — | $0.1 \times V_{DD}$ | | |
| Output Disable Time (Note 3) | t_{DS} | — | — | 5 | ns | — |
| Output Enable Time | t_{EN} | — | — | 5 | ms | DSC1101 |
| | | — | — | 20 | ns | DSC1121 |
| Enable Pull-up Resistor (Note 4) | — | — | 40 | — | k Ω | Pull-up Resistor Exist |
| CMOS Output | | | | | | |
| Output Logic Levels Output Logic High Output Logic Low | V_{OH} | $0.9 \times V_{DD}$ | — | — | V | I = ± 6 mA |
| | V_{OL} | — | — | $0.1 \times V_{DD}$ | | |

- Note 1:** Pin 6 V_{DD} should be filtered with 0.1 μF capacitor.
2: t_{SU} is time to 100 ppm of output frequency after V_{DD} is applied and outputs are enabled.
3: Output Waveform and Test Circuit figures define the parameters.
4: Output is enabled if pad is floated or not connected.

TABLE 1-1: DC CHARACTERISTICS (CONTINUED)

| Electrical Characteristics | | | | | | |
|--|-----------|------|------|------|-------------------|---|
| Parameters | Sym. | Min. | Typ. | Max. | Units | Conditions |
| Output Transition Time Rise Time Fall Time | t_R | — | 1.1 | 2 | ns | 20% to 80% $C_L = 15$ pF |
| | t_F | — | 1.3 | 2 | | |
| Frequency | f_0 | 2.3 | — | 170 | MHz | $C_L = 15$ pF, -20°C to $+70^\circ\text{C}$ and -40°C to $+85^\circ\text{C}$ |
| | | 3.3 | — | 170 | | $C_L = 15$ pF, -40°C to $+105^\circ\text{C}$ and -55°C to $+125^\circ\text{C}$ |
| Output Duty Cycle | SYM | 45 | — | 55 | % | — |
| Period Jitter | J_{PER} | — | 3 | — | ps _{RMS} | $F_{OUT} = 125$ MHz |
| Integrated Phase Noise | J_{PH} | — | 0.3 | — | ps _{RMS} | 200 kHz to 20 MHz @ 125 MHz |
| | | — | 0.38 | — | | 100 kHz to 20 MHz @ 125 MHz |
| | | — | 1.7 | 2 | | 12 kHz to 20 MHz @ 125 MHz |

- Note 1:** Pin 6 V_{DD} should be filtered with 0.1 μF capacitor.
Note 2: t_{SU} is time to 100 ppm of output frequency after V_{DD} is applied and outputs are enabled.
Note 3: Output Waveform and Test Circuit figures define the parameters.
Note 4: Output is enabled if pad is floated or not connected.

DSC1101/21

TEMPERATURE SPECIFICATIONS (Note 1)

| Parameters | Sym. | Min. | Typ. | Max. | Units | Conditions |
|---------------------------------|----------------|------|------|------|-------|-------------------|
| Temperature Ranges | | | | | | |
| Operating Temperature Range (T) | T _A | -20 | — | +70 | °C | Ordering Option E |
| | T _A | -40 | — | +85 | °C | Ordering Option I |
| | T _A | -40 | — | +105 | °C | Ordering Option L |
| | T _A | -55 | — | +125 | °C | Ordering Option M |
| Junction Operating Temperature | T _J | — | — | +150 | °C | — |
| Storage Temperature Range | T _A | -40 | — | +150 | °C | — |
| Soldering Temperature Range | T _S | — | — | +260 | °C | 40 sec. max |

Note 1: The maximum allowable power dissipation is a function of ambient temperature, the maximum allowable junction temperature and the thermal resistance from junction to air (i.e., T_A, T_J, θ_{JA}). Exceeding the maximum allowable power dissipation will cause the device operating junction temperature to exceed the maximum +125°C rating. Sustained junction temperatures above +125°C can impact the device reliability.

2.0 NOMINAL PERFORMANCE CURVES

Note: The graphs and tables provided following this note are a statistical summary based on a limited number of samples and are provided for informational purposes only. The performance characteristics listed herein are not tested or guaranteed. In some graphs or tables, the data presented may be outside the specified operating range (e.g., outside specified power supply range) and therefore outside the warranted range.

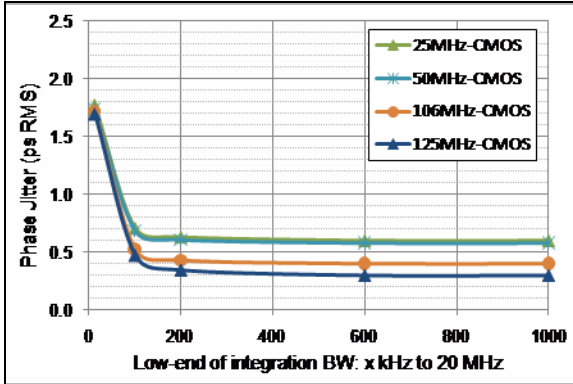


FIGURE 2-1: Phase Jitter (Integrated Phase Noise).

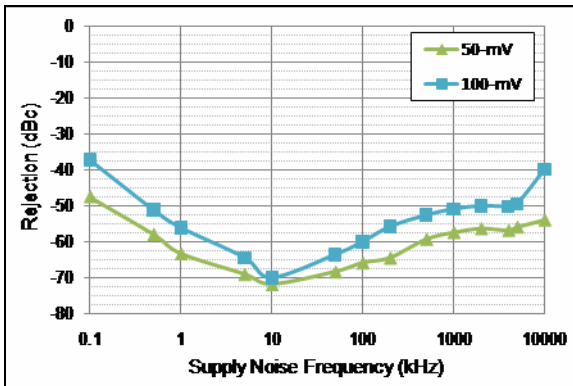


FIGURE 2-2: Power Supply Rejection Ratio.

DSC1101/21

3.0 PIN DESCRIPTIONS

The descriptions of the pins are listed in [Table 3-1](#). Pin order and descriptions apply across all package types.

TABLE 3-1: PIN FUNCTION TABLE

| Pin Number 7x5 w/ Pad | Pin Number 7x5 w/o Pad | Pin Number 5x3.2 | Pin Number 3.2x2.5 | Pin Number 2x2.5 | Pin Name | Description |
|--------------------------|---------------------------|---------------------|-----------------------|---------------------|-----------------|-----------------|
| 1 | 1 | 1 | 1 | 1 | EN | Enable. |
| 2 | 2 | 2 | 2 | 2 | NC | Do not connect. |
| 3 | 3 | 3 | 3 | 3 | GND | Ground. |
| 4 | 4 | 4 | 4 | 4 | OUT | Output. |
| 5 | 5 | 5 | 5 | 5 | NC | Do not connect. |
| 6 | 6 | 6 | 6 | 6 | V _{DD} | Supply voltage. |
| PAD | — | — | — | — | PAD | Tie to ground. |

TABLE 3-2: OUTPUT ENABLE MODES

| EN Pin | DSC1101 | DSC1121 |
|--------|---------------|-----------------|
| High | Output Active | Output Active |
| NC | Output Active | Output Active |
| Low | Standby | Output Disabled |

4.0 OUTPUT WAVEFORM



FIGURE 4-1: DSC1101/21 Output Waveform.

DSC1101/21

5.0 TYPICAL TERMINATION SCHEME

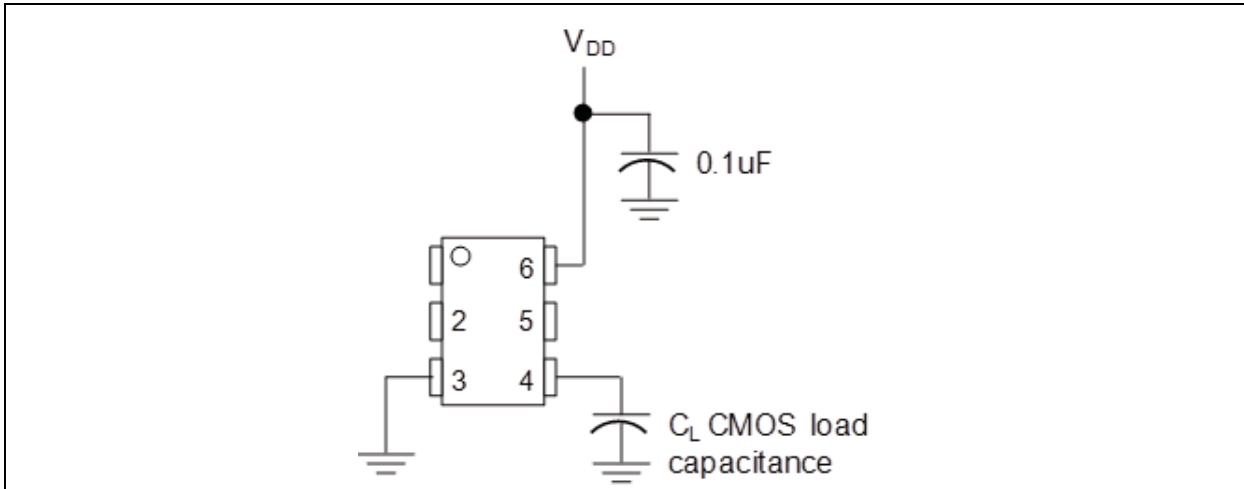


FIGURE 5-1: Typical Termination Scheme for DSC1101/21.

6.0 BOARD LAYOUT (RECOMMENDED)

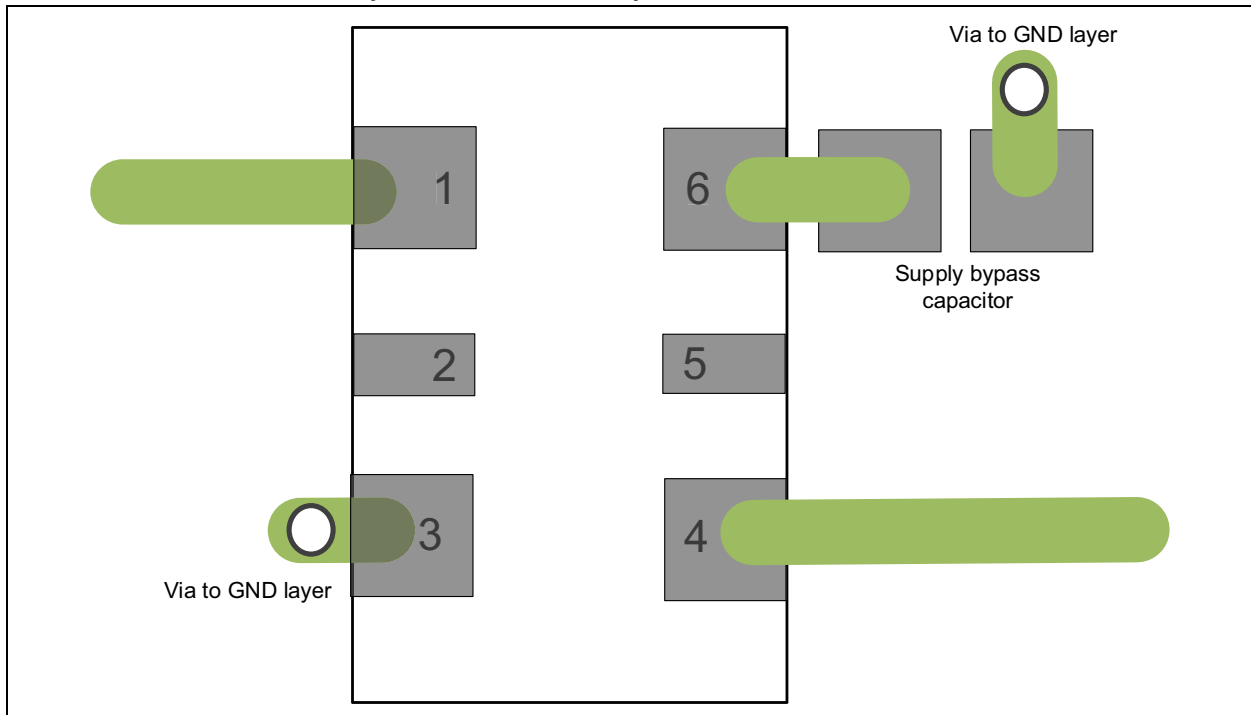
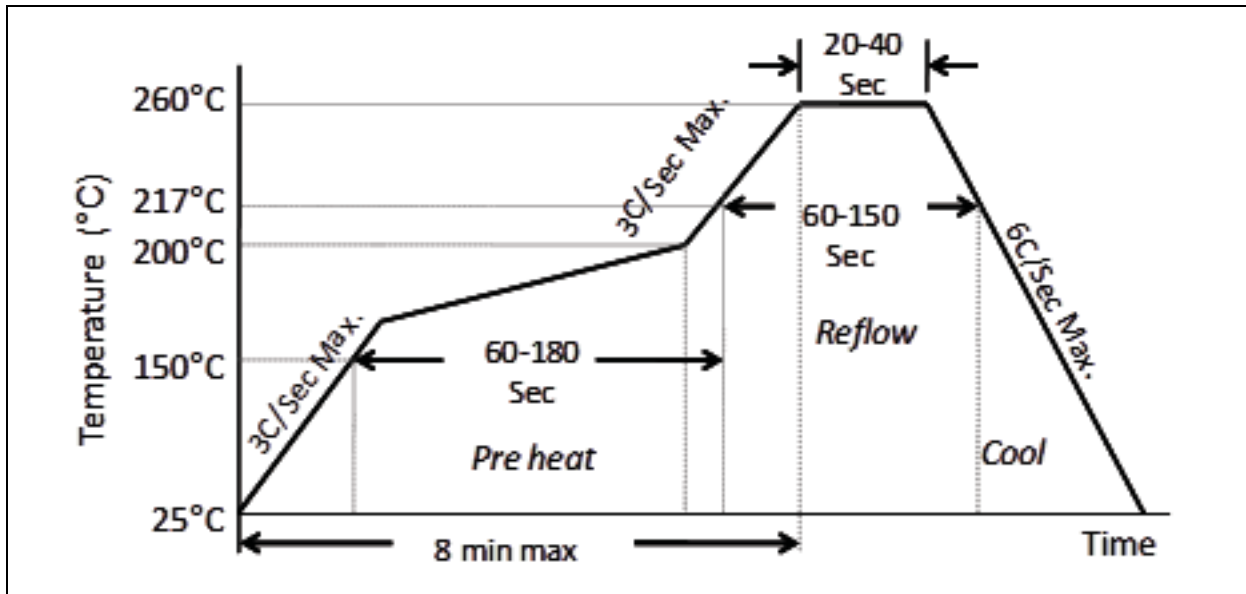


FIGURE 6-1: DSC1101/21 Recommended Board Layout.

DSC1101/21

7.0 SOLDER REFLOW PROFILE

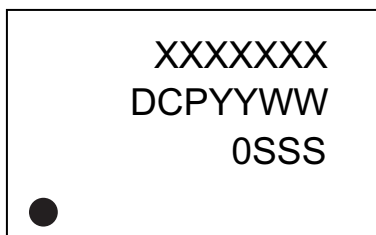


| MSL 1 @ 260°C refer to JSTD-020C | |
|-----------------------------------|---------------|
| Ramp-Up Rate (200°C to Peak Temp) | 3°C/Sec. Max. |
| Preheat Time 150°C to 200°C | 60-180 Sec. |
| Time Maintained Above 217°C | 60-150 Sec. |
| Peak Temperature | 255-260°C |
| Time within 5°C of Actual Peak | 20-40 Sec. |
| Ramp-Down Rate | 6°C/Sec. Max. |
| Time 25°C to Peak Temperature | 8 minute Max. |

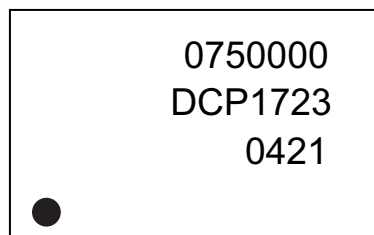
8.0 PACKAGING INFORMATION

8.1 Package Marking Information

6-Pin CDFN/VDFN*



Example



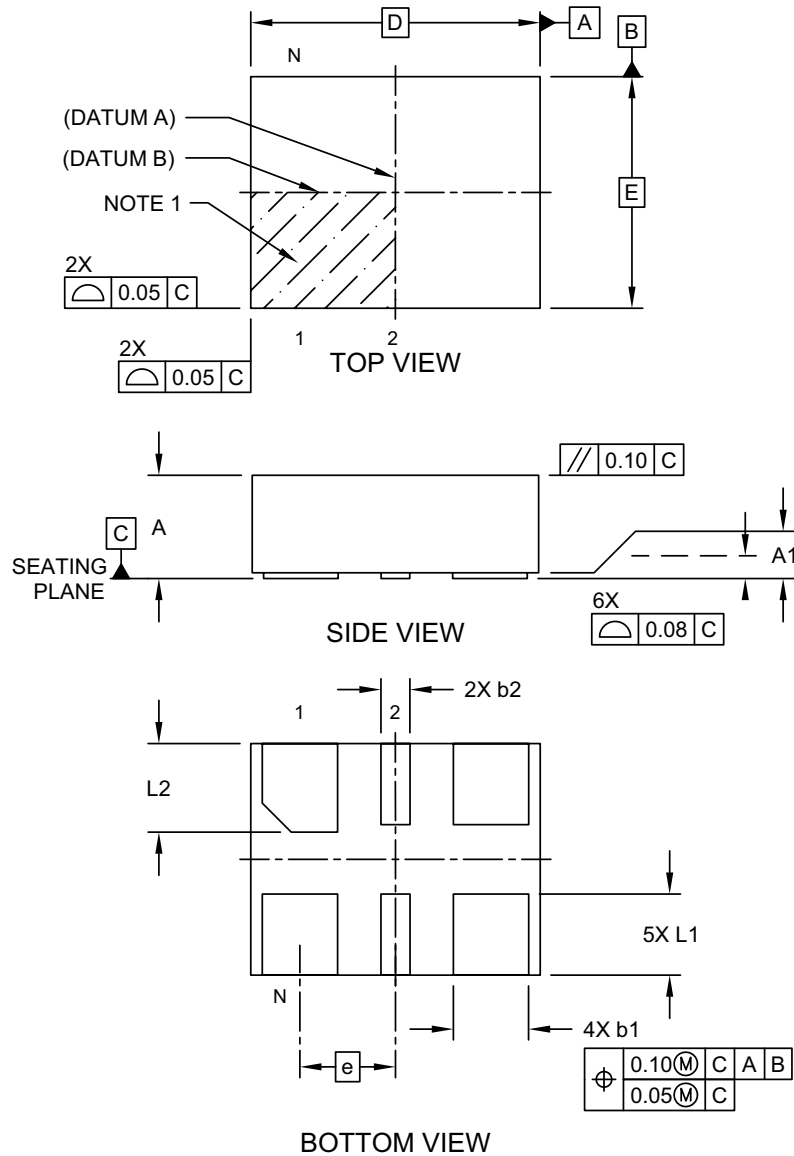
| | | |
|----------------|--|--|
| Legend: | XX...X | Product code, customer-specific information, or frequency in MHz without printed decimal point |
| | Y | Year code (last digit of calendar year) |
| | YY | Year code (last 2 digits of calendar year) |
| | WW | Week code (week of January 1 is week '01') |
| | SSS | Alphanumeric traceability code |
| | (e3) | Pb-free JEDEC® designator for Matte Tin (Sn) |
| | * | This package is Pb-free. The Pb-free JEDEC designator (e3) can be found on the outer packaging for this package. |
| | •, ▲, ▼ | Pin one index is identified by a dot, delta up, or delta down (triangle) |
| Note: | In the event the full Microchip part number cannot be marked on one line, it will be carried over to the next line, thus limiting the number of available characters for customer-specific information. Package may or may not include the corporate logo. | |
| | Underbar (_) and/or Overbar (¯) symbol may not be to scale. | |

DSC1101/21

6-Lead VDFN 2.5 mm x 2.0 mm Package Outline and Recommended Land Pattern

6-Lead Very Thin Dual Flatpack No-Leads (J7A) - 2.5x2.0 mm Body [VDFN]

Note: For the most current package drawings, please see the Microchip Packaging Specification located at <http://www.microchip.com/packaging>



Microchip Technology Drawing C04-1005A Sheet 1 of 2

6-Lead Very Thin Dual Flatpack No-Leads (J7A) - 2.5x2.0 mm Body [VDFN]

Note: For the most current package drawings, please see the Microchip Packaging Specification located at <http://www.microchip.com/packaging>



| Dimension Limits | Units | MILLIMETERS | | |
|---------------------|-------|-------------|-------|-------|
| | | MIN | NOM | MAX |
| Number of Terminals | N | 6 | | |
| Pitch | e | 0.825 BSC | | |
| Overall Height | A | 0.80 | 0.85 | 0.90 |
| Standoff | A1 | 0.00 | 0.02 | 0.05 |
| Overall Length | D | 2.50 BSC | | |
| Overall Width | E | 2.00 BSC | | |
| Terminal Width | b1 | 0.60 | 0.65 | 0.70 |
| Terminal Width | b2 | 0.20 | 0.25 | 0.30 |
| Terminal Length | L1 | 0.60 | 0.70 | 0.80 |
| Terminal Length | L2 | 0.665 | 0.765 | 0.865 |

Notes:

- Pin 1 visual index feature may vary, but must be located within the hatched area.
- Package is saw singulated
- Dimensioning and tolerancing per ASME Y14.5M
 - BSC: Basic Dimension. Theoretically exact value shown without tolerances.
 - REF: Reference Dimension, usually without tolerance, for information purposes only.

Microchip Technology Drawing C04-1005A Sheet 2 of 2

6-Lead Very Thin Dual Flatpack No-Leads (J7A) - 2.5x2.0 mm Body [VDFN]

Note: For the most current package drawings, please see the Microchip Packaging Specification located at <http://www.microchip.com/packaging>



RECOMMENDED LAND PATTERN

| Dimension Limits | Units | MILLIMETERS | | |
|-----------------------------|-------|-------------|-----------|------|
| | | MIN | NOM | MAX |
| Contact Pitch | E | | 0.825 BSC | |
| Contact Pad Width (X4) | X1 | | | 0.65 |
| Contact Pad Width (X2) | X2 | | | 0.25 |
| Contact Pad Length (X6) | Y | | | 0.85 |
| Contact Pad Spacing | C | | 1.45 | |
| Space Between Contacts (X4) | G1 | 0.38 | | |
| Space Between Contacts (X3) | G2 | 0.60 | | |

Notes:

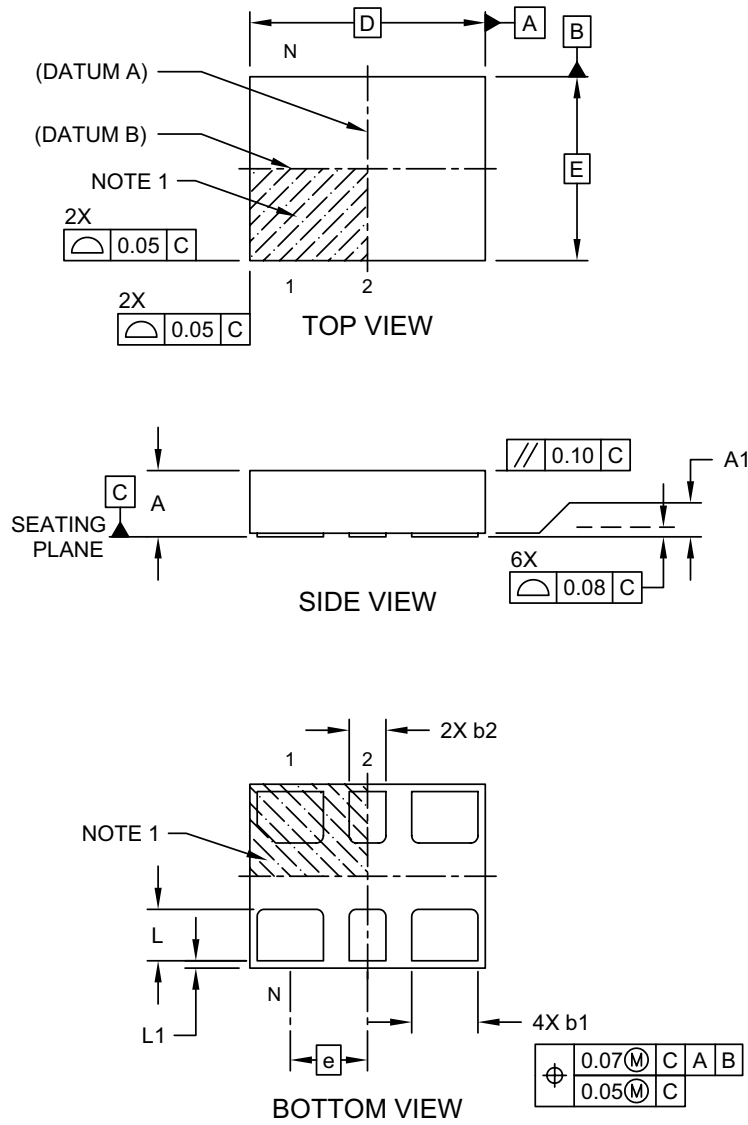
- Dimensioning and tolerancing per ASME Y14.5M
BSC: Basic Dimension. Theoretically exact value shown without tolerances.
- For best soldering results, thermal vias, if used, should be filled or tented to avoid solder loss during reflow process

Microchip Technology Drawing C04-3005A

6-Lead VDFN 3.2 mm x 2.5 mm Package Outline and Recommended Land Pattern

6-Lead Very Thin Plastic Dual Flatpack No-Lead (H5A) - 3.2x2.5 mm Body [VDFN]

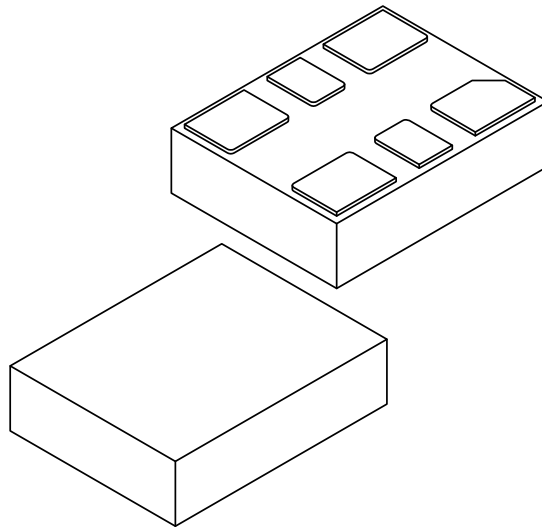
Note: For the most current package drawings, please see the Microchip Packaging Specification located at <http://www.microchip.com/packaging>



Microchip Technology Drawing C04-1007A Sheet 1 of 2

6-Lead Very Thin Plastic Dual Flatpack No-Lead (H5A) - 3.2x2.5 mm Body [VDFN]

Note: For the most current package drawings, please see the Microchip Packaging Specification located at <http://www.microchip.com/packaging>



| Dimension Limits | Units | MILLIMETERS | | |
|---------------------|-------|-------------|------|------|
| | | MIN | NOM | MAX |
| Number of Terminals | N | 6 | | |
| Pitch | e | 1.05 BSC | | |
| Overall Height | A | 0.80 | 0.85 | 0.90 |
| Standoff | A1 | 0.00 | 0.02 | 0.05 |
| Overall Length | D | 3.20 BSC | | |
| Overall Width | E | 2.50 BSC | | |
| Terminal Width | b1 | 0.85 | 0.90 | 0.95 |
| Terminal Width | b2 | 0.45 | 0.50 | 0.55 |
| Terminal Length | L | 0.65 | 0.70 | 0.75 |
| Terminal Pullback | L1 | 0.10 REF | | |

Notes:

1. Pin 1 visual index feature may vary, but must be located within the hatched area.
2. Package is saw singulated
3. Dimensioning and tolerancing per ASME Y14.5M

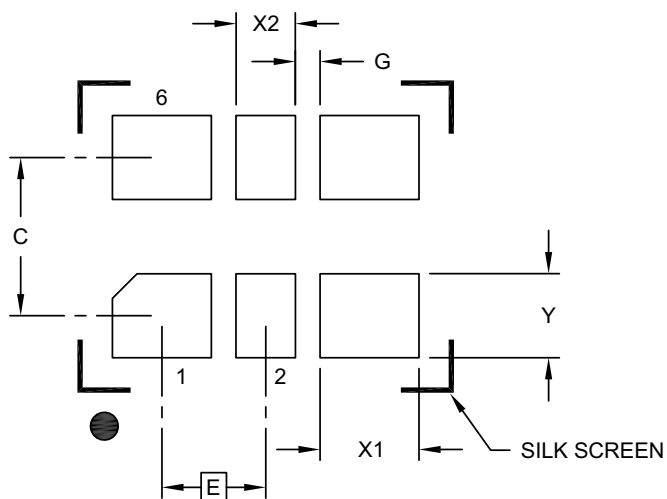
BSC: Basic Dimension. Theoretically exact value shown without tolerances.

REF: Reference Dimension, usually without tolerance, for information purposes only.

Microchip Technology Drawing C04-1007A Sheet 2 of 2

6-Lead Very Thin Plastic Dual Flatpack No-Lead (H5A) - 3.2x2.5 mm Body [VDFN]

Note: For the most current package drawings, please see the Microchip Packaging Specification located at <http://www.microchip.com/packaging>



RECOMMENDED LAND PATTERN

| Dimension Limits | Units | MILLIMETERS | | |
|-----------------------------|-------|-------------|------|------|
| | | MIN | NOM | MAX |
| Contact Pitch | E | 1.05 BSC | | |
| Contact Pad Spacing | C | | 1.60 | |
| Contact Pad Width (X4) | X1 | | | 1.00 |
| Contact Pad Width (X2) | X2 | | | 0.60 |
| Contact Pad Length (X6) | Y | | | 0.85 |
| Space Between Contacts (X4) | G1 | 0.25 | | |

Notes:

1. Dimensioning and tolerancing per ASME Y14.5M
BSC: Basic Dimension. Theoretically exact value shown without tolerances.

Microchip Technology Drawing C04-3007A

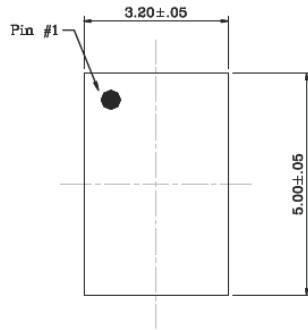
DSC1101/21

6-Lead CDFN 5.0 mm x 3.2 mm Package Outline and Recommended Land Pattern

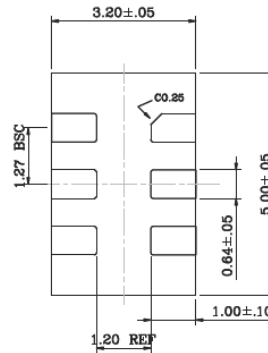
TITLE

6 LEAD CDFN 5.0x3.2mm COL PACKAGE OUTLINE & RECOMMENDED LAND PATTERN

| DRAWING # | UNIT | MM |
|-------------------|------|----|
| CDFN5032-6LD-PL-1 | | |



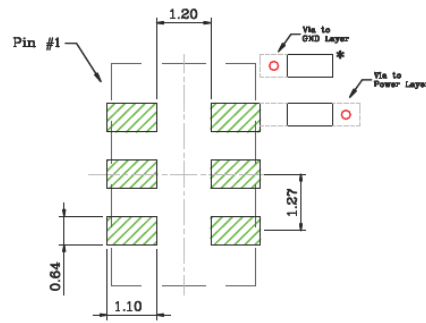
Top View



Bottom View



Side View



Recommended Land Pattern

NOTE:

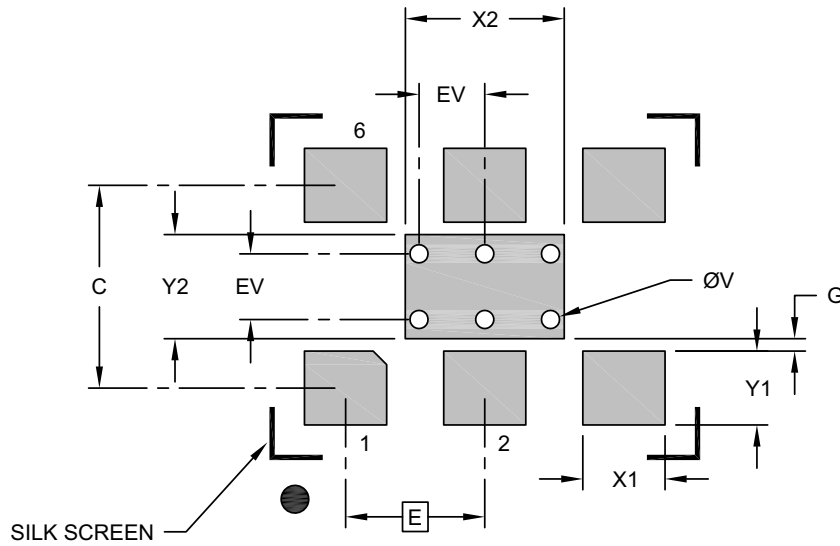
1. * Power Supply Decoupling Capacitor is required in Recommended Land Pattern.
2. Green shaded rectangles in Recommended Land Pattern are solder stencil opening.
3. Red circles in Recommended Land Pattern are thermal VIA.

Note: For the most current package drawings, please see the Microchip Packaging Specification located at <http://www.microchip.com/packaging>.

6-Lead VDFN 7.0 mm x 5.0 mm Package Outline and Recommended Land Pattern

6-Lead Very Thin Plastic Quad Flat, No Lead Package (H8A) - 7x5 mm Body [VDFN] With 2.8x1.8 mm Exposed Pad

Note: For the most current package drawings, please see the Microchip Packaging Specification located at <http://www.microchip.com/packaging>



RECOMMENDED LAND PATTERN

| Dimension Limits | Units | MILLIMETERS | | |
|--------------------------------|-------|-------------|------|------|
| | | MIN | NOM | MAX |
| Contact Pitch | E | 2.54 BSC | | |
| Optional Center Pad Width | X2 | | | 2.90 |
| Optional Center Pad Length | Y2 | | | 1.90 |
| Contact Pad Spacing | C | | 3.70 | |
| Contact Pad Width (X6) | X1 | | | 1.50 |
| Contact Pad Length (X6) | Y1 | | | 1.35 |
| Contact Pad to Center Pad (X2) | G | 0.20 | | |
| Thermal Via Diameter (X6) | V | | 0.33 | |
| Thermal Via Pitch | EV | | 1.20 | |

Notes:

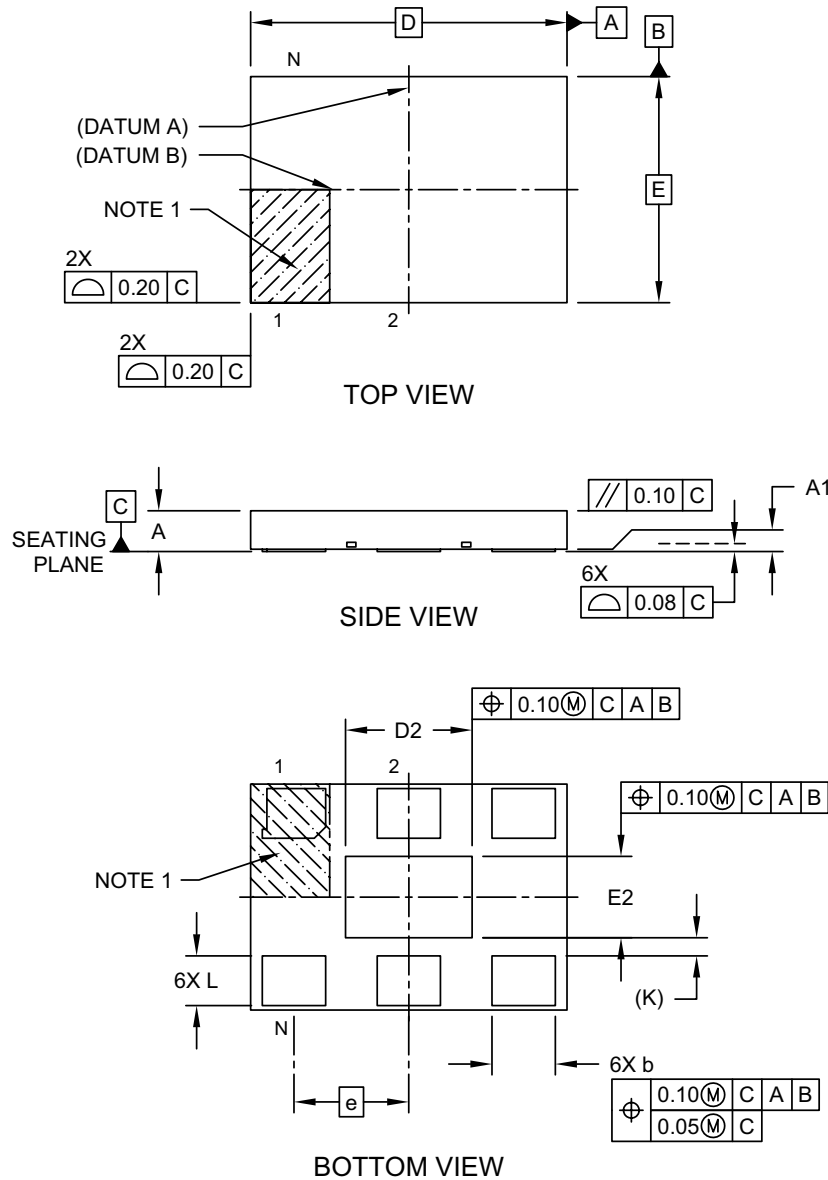
- Dimensioning and tolerancing per ASME Y14.5M
BSC: Basic Dimension. Theoretically exact value shown without tolerances.
- For best soldering results, thermal vias, if used, should be filled or tented to avoid solder loss during reflow process

Microchip Technology Drawing C04-3010A

DSC1101/21

6-Lead Very Thin Plastic Quad Flat, No Lead Package (H8A) - 7x5 mm Body [VDFN] With 2.8x1.8 mm Exposed Pad

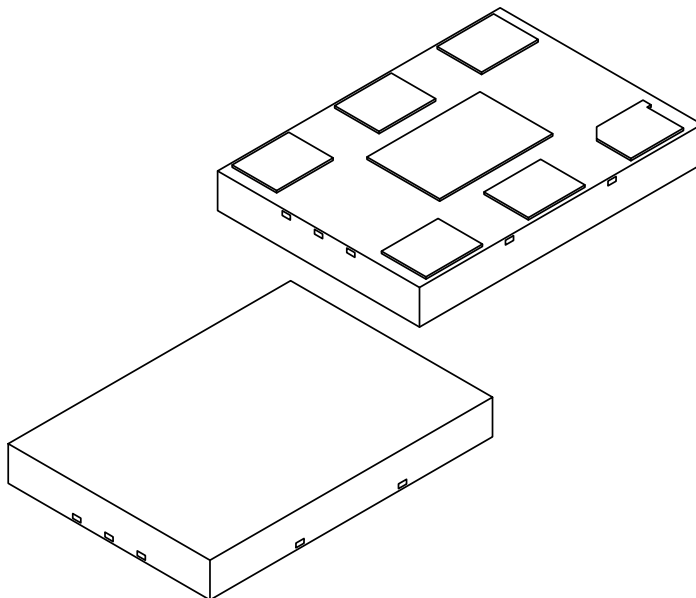
Note: For the most current package drawings, please see the Microchip Packaging Specification located at <http://www.microchip.com/packaging>



Microchip Technology Drawing C04-1010A Sheet 1 of 2

6-Lead Very Thin Plastic Quad Flat, No Lead Package (H8A) - 7x5 mm Body [VDFN] With 2.8x1.8 mm Exposed Pad

Note: For the most current package drawings, please see the Microchip Packaging Specification located at <http://www.microchip.com/packaging>



| Units | | MILLIMETERS | | |
|-------------------------|----|-------------|------|------|
| Dimension Limits | | MIN | NOM | MAX |
| Number of Terminals | N | 6 | | |
| Pitch | e | 2.54 | | |
| Overall Height | A | 0.80 | 0.85 | 0.90 |
| Standoff | A1 | 0.00 | 0.02 | 0.05 |
| Overall Length | D | 7.00 BSC | | |
| Exposed Pad Length | D2 | 2.70 | 2.80 | 2.90 |
| Overall Width | E | 5.00 BSC | | |
| Exposed Pad Width | E2 | 1.70 | 1.80 | 1.90 |
| Terminal Width | b | 1.35 | 1.40 | 1.45 |
| Terminal Length | L | 1.00 | 1.10 | 1.20 |
| Terminal-to-Exposed-Pad | K | 0.20 REF | | |

Notes:

- Pin 1 visual index feature may vary, but must be located within the hatched area.
- Package is saw singulated
- Dimensioning and tolerancing per ASME Y14.5M
 - BSC: Basic Dimension. Theoretically exact value shown without tolerances.
 - REF: Reference Dimension, usually without tolerance, for information purposes only.

Microchip Technology Drawing C04-1010A Sheet 2 of 2

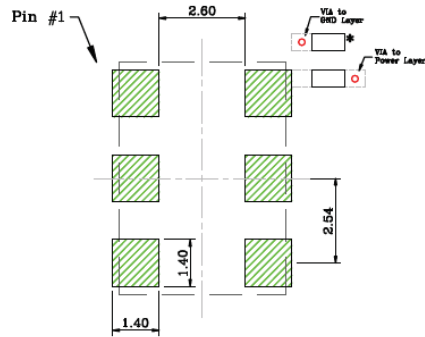
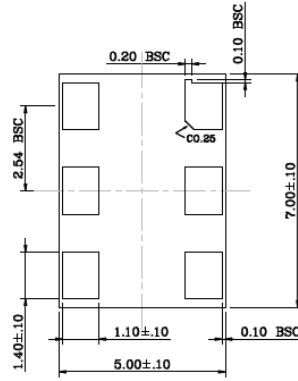
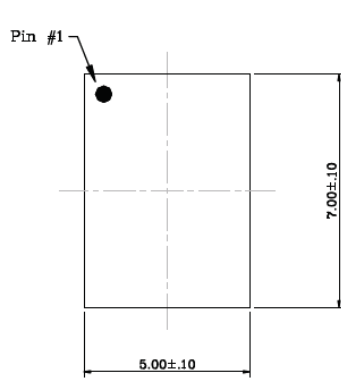
DSC1101/21

6-Lead CDFN 7.0 mm x 5.0 mm Package Outline and Recommended Land Pattern

TITLE

6 LEAD CDFN 7.0x5.0mm COL PACKAGE OUTLINE & RECOMMENDED LAND PATTERN

| DRAWING # | CDFN75-6LD-PL-1 | UNIT | MM |
|-----------|-----------------|------|----|
|-----------|-----------------|------|----|



NOTE:

1. * Power Supply Decoupling Capacitor is required in Recommended Land Pattern.
2. Green shaded rectangles in Recommended Land Pattern are solder stencil opening.
3. Red circles in Recommended Land Pattern are thermal VIA.

Note: For the most current package drawings, please see the Microchip Packaging Specification located at <http://www.microchip.com/packaging>.

NOTES:

APPENDIX A: REVISION HISTORY

Revision A (August 2017)

- Initial creation of document DSC1101/21 to Microchip data sheet template DS20005613A.
- Minor text changes throughout.

Revision B (December 2017)

- Military temperature range changed to Automotive in [Features](#) and [Product Identification System](#).
- Supply Current values updated in [Table 1-1](#).
- Test Circuit section removed.
- Updated [Figure 6-1](#), Recommended Board Layout.

DSC1101/21

NOTES:

PRODUCT IDENTIFICATION SYSTEM

To order or obtain information, e.g., on pricing or delivery, contact your local Microchip representative or sales office.

| <u>PART NO.</u> | X | X | X | <u>-XXX.XXXX</u> | X |
|--|---------|-------------------|-----------|------------------|------------------|
| Device | Package | Temperature Range | Stability | Frequency | Packaging Option |
| <p>Device:</p> <p>DSC1101: Low-Power Precision CMOS Oscillator with Standby</p> <p>DSC1121: Low-Power Precision CMOS Oscillator</p> | | | | | |
| <p>Package:</p> <p>A = 6-Lead 7.0 mm x 5.0 mm VDFN</p> <p>B = 6-Lead 5.0 mm x 3.2 mm CDFN</p> <p>C = 6-Lead 3.2 mm x 2.5 mm VDFN</p> <p>D = 6-Lead 2.5 mm x 2.0 mm VDFN</p> <p>N = 6-Lead 7.0 mm x 5.0 mm CDFN (no center pad)</p> | | | | | |
| <p>Temperature Range:</p> <p>E = -20°C to +70°C (Extended Commercial)</p> <p>I = -40°C to +85°C (Industrial)</p> <p>L = -40°C to +105°C (Extended Industrial)</p> <p>M = -55°C to +125°C (Automotive)</p> | | | | | |
| <p>Stability:</p> <p>1 = ±50 ppm</p> <p>2 = ±25 ppm</p> <p>3 = ±20 ppm</p> <p>5 = ±10 ppm</p> | | | | | |
| <p>Frequency:</p> <p>xxx.xxxx = 2.3 MHz to 170 MHz (user-defined)</p> | | | | | |
| <p>Packing Option:</p> <p><blank>= 110/Tube</p> <p>T = 1,000/Reel</p> | | | | | |
| <p>Examples:</p> <p>a) DSC1101AM1-010.0000T: Low-Power Precision CMOS Oscillator with Standby, 6-LD 7.0X5.0 VDFN, Automotive Temperature Range, ±50 ppm, 10 MHz Output Frequency, 1,000/Reel</p> <p>b) DSC1101BL2-030.0000: Low-Power Precision CMOS Oscillator with Standby, 6-LD 5.0X3.2 CDFN, Extended Industrial Temperature Range, ±25 ppm, 30 MHz Output Frequency, 110/Tube</p> <p>c) DSC1101DE5-150.0000: Low-Power Precision CMOS Oscillator with Standby, 6-LD 2.5X2.0 VDFN, Extended Commercial Temperature Range, ±10 ppm, 150 MHz Output Frequency, 110/Tube</p> <p>d) DSC1101AI2-075.0000T: Low-Power Precision CMOS Oscillator with Standby, 6-LD 7.0X5.0 VDFN, Industrial Temperature Range, ±25 ppm, 75 MHz Output Frequency, 1,000/Reel</p> | | | | | |
| <p>Note 1: Tape and Reel identifier only appears in the catalog part number description. This identifier is used for ordering purposes and is not printed on the device package. Check with your Microchip Sales Office for package availability with the Tape and Reel option.</p> | | | | | |

DSC1101/21

NOTES:

Note the following details of the code protection feature on Microchip devices:

- Microchip products meet the specification contained in their particular Microchip Data Sheet.
- Microchip believes that its family of products is one of the most secure families of its kind on the market today, when used in the intended manner and under normal conditions.
- There are dishonest and possibly illegal methods used to breach the code protection feature. All of these methods, to our knowledge, require using the Microchip products in a manner outside the operating specifications contained in Microchip's Data Sheets. Most likely, the person doing so is engaged in theft of intellectual property.
- Microchip is willing to work with the customer who is concerned about the integrity of their code.
- Neither Microchip nor any other semiconductor manufacturer can guarantee the security of their code. Code protection does not mean that we are guaranteeing the product as “unbreakable.”

Code protection is constantly evolving. We at Microchip are committed to continuously improving the code protection features of our products. Attempts to break Microchip's code protection feature may be a violation of the Digital Millennium Copyright Act. If such acts allow unauthorized access to your software or other copyrighted work, you may have a right to sue for relief under that Act.

Information contained in this publication regarding device applications and the like is provided only for your convenience and may be superseded by updates. It is your responsibility to ensure that your application meets with your specifications. MICROCHIP MAKES NO REPRESENTATIONS OR WARRANTIES OF ANY KIND WHETHER EXPRESS OR IMPLIED, WRITTEN OR ORAL, STATUTORY OR OTHERWISE, RELATED TO THE INFORMATION, INCLUDING BUT NOT LIMITED TO ITS CONDITION, QUALITY, PERFORMANCE, MERCHANTABILITY OR FITNESS FOR PURPOSE. Microchip disclaims all liability arising from this information and its use. Use of Microchip devices in life support and/or safety applications is entirely at the buyer's risk, and the buyer agrees to defend, indemnify and hold harmless Microchip from any and all damages, claims, suits, or expenses resulting from such use. No licenses are conveyed, implicitly or otherwise, under any Microchip intellectual property rights unless otherwise stated.

Microchip received ISO/TS-16949:2009 certification for its worldwide headquarters, design and wafer fabrication facilities in Chandler and Tempe, Arizona; Gresham, Oregon and design centers in California and India. The Company's quality system processes and procedures are for its PIC® MCUs and dsPIC® DSCs, KEELoQ® code hopping devices, Serial EEPROMs, microperipherals, nonvolatile memory and analog products. In addition, Microchip's quality system for the design and manufacture of development systems is ISO 9001:2000 certified.

**QUALITY MANAGEMENT SYSTEM
CERTIFIED BY DNV
= ISO/TS 16949 =**

Trademarks

The Microchip name and logo, the Microchip logo, AnyRate, AVR, AVR logo, AVR Freaks, BeaconThings, BitCloud, CryptoMemory, CryptoRF, dsPIC, FlashFlex, flexPWR, Heldo, JukeBlox, KEELoQ, KEELoQ logo, Kleer, LANCheck, LINK MD, maXStylus, maXTouch, MediaLB, megaAVR, MOST, MOST logo, MPLAB, OptoLyzer, PIC, picoPower, PICSTART, PIC32 logo, Prochip Designer, QTouch, RightTouch, SAM-BA, SpyNIC, SST, SST Logo, SuperFlash, tinyAVR, UNI/O, and XMEGA are registered trademarks of Microchip Technology Incorporated in the U.S.A. and other countries.

ClockWorks, The Embedded Control Solutions Company, EtherSynch, Hyper Speed Control, HyperLight Load, IntelliMOS, mTouch, Precision Edge, and Quiet-Wire are registered trademarks of Microchip Technology Incorporated in the U.S.A.

Adjacent Key Suppression, AKS, Analog-for-the-Digital Age, Any Capacitor, AnyIn, AnyOut, BodyCom, chipKIT, chipKIT logo, CodeGuard, CryptoAuthentication, CryptoCompanion, CryptoController, dsPICDEM, dsPICDEM.net, Dynamic Average Matching, DAM, ECAN, EtherGREEN, In-Circuit Serial Programming, ICSP, Inter-Chip Connectivity, JitterBlocker, KleerNet, KleerNet logo, Mindi, MiWi, motorBench, MPASM, MPF, MPLAB Certified logo, MPLIB, MPLINK, MultiTRAK, NetDetach, Omniscient Code Generation, PICDEM, PICDEM.net, PICKit, PICtail, PureSilicon, QMatrix, RightTouch logo, REAL ICE, Ripple Blocker, SAM-ICE, Serial Quad I/O, SMART-I.S., SQI, SuperSwitcher, SuperSwitcher II, Total Endurance, TSHARC, USBCheck, VariSense, ViewSpan, WiperLock, Wireless DNA, and ZENA are trademarks of Microchip Technology Incorporated in the U.S.A. and other countries.

SQTP is a service mark of Microchip Technology Incorporated in the U.S.A.

Silicon Storage Technology is a registered trademark of Microchip Technology Inc. in other countries.

GestIC is a registered trademark of Microchip Technology Germany II GmbH & Co. KG, a subsidiary of Microchip Technology Inc., in other countries.

All other trademarks mentioned herein are property of their respective companies.

© 2017, Microchip Technology Incorporated, All Rights Reserved.
ISBN: 978-1-5224-2480-2



MICROCHIP

Worldwide Sales and Service

AMERICAS

Corporate Office
2355 West Chandler Blvd.
Chandler, AZ 85224-6199
Tel: 480-792-7200
Fax: 480-792-7277
Technical Support:
<http://www.microchip.com/support>
Web Address:
www.microchip.com

Atlanta

Duluth, GA
Tel: 678-957-9614
Fax: 678-957-1455

Austin, TX

Tel: 512-257-3370

Boston

Westborough, MA
Tel: 774-760-0087
Fax: 774-760-0088

Chicago

Itasca, IL
Tel: 630-285-0071
Fax: 630-285-0075

Dallas

Addison, TX
Tel: 972-818-7423
Fax: 972-818-2924

Detroit

Novi, MI
Tel: 248-848-4000

Houston, TX

Tel: 281-894-5983

Indianapolis

Noblesville, IN
Tel: 317-773-8323
Fax: 317-773-5453
Tel: 317-536-2380

Los Angeles

Mission Viejo, CA
Tel: 949-462-9523
Fax: 949-462-9608
Tel: 951-273-7800

Raleigh, NC

Tel: 919-844-7510

New York, NY

Tel: 631-435-6000

San Jose, CA

Tel: 408-735-9110
Tel: 408-436-4270

Canada - Toronto

Tel: 905-695-1980
Fax: 905-695-2078

ASIA/PACIFIC

Australia - Sydney
Tel: 61-2-9868-6733

China - Beijing
Tel: 86-10-8569-7000

China - Chengdu
Tel: 86-28-8665-5511

China - Chongqing
Tel: 86-23-8980-9588

China - Dongguan
Tel: 86-769-8702-9880

China - Guangzhou
Tel: 86-20-8755-8029

China - Hangzhou
Tel: 86-571-8792-8115

China - Hong Kong SAR
Tel: 852-2943-5100

China - Nanjing
Tel: 86-25-8473-2460

China - Qingdao
Tel: 86-532-8502-7355

China - Shanghai
Tel: 86-21-3326-8000

China - Shenyang
Tel: 86-24-2334-2829

China - Shenzhen
Tel: 86-755-8864-2200

China - Suzhou
Tel: 86-186-6233-1526

China - Wuhan
Tel: 86-27-5980-5300

China - Xian
Tel: 86-29-8833-7252

China - Xiamen
Tel: 86-592-2388138

China - Zhuhai
Tel: 86-756-3210040

ASIA/PACIFIC

India - Bangalore
Tel: 91-80-3090-4444

India - New Delhi
Tel: 91-11-4160-8631

India - Pune
Tel: 91-20-4121-0141

Japan - Osaka
Tel: 81-6-6152-7160

Japan - Tokyo
Tel: 81-3-6880-3770

Korea - Daegu
Tel: 82-53-744-4301

Korea - Seoul
Tel: 82-2-554-7200

Malaysia - Kuala Lumpur
Tel: 60-3-7651-7906

Malaysia - Penang
Tel: 60-4-227-8870

Philippines - Manila
Tel: 63-2-634-9065

Singapore
Tel: 65-6334-8870

Taiwan - Hsin Chu
Tel: 886-3-577-8366

Taiwan - Kaohsiung
Tel: 886-7-213-7830

Taiwan - Taipei
Tel: 886-2-2508-8600

Thailand - Bangkok
Tel: 66-2-694-1351

Vietnam - Ho Chi Minh
Tel: 84-28-5448-2100

EUROPE

Austria - Wels
Tel: 43-7242-2244-39
Fax: 43-7242-2244-393

Denmark - Copenhagen
Tel: 45-4450-2828
Fax: 45-4485-2829

Finland - Espoo
Tel: 358-9-4520-820

France - Paris
Tel: 33-1-69-53-63-20
Fax: 33-1-69-30-90-79

Germany - Garching
Tel: 49-8931-9700

Germany - Haan
Tel: 49-2129-3766400

Germany - Heilbronn
Tel: 49-7131-67-3636

Germany - Karlsruhe
Tel: 49-721-625370

Germany - Munich
Tel: 49-89-627-144-0
Fax: 49-89-627-144-44

Germany - Rosenheim
Tel: 49-8031-354-560

Israel - Ra'anana
Tel: 972-9-744-7705

Italy - Milan
Tel: 39-0331-742611
Fax: 39-0331-466781

Italy - Padova
Tel: 39-049-7625286

Netherlands - Drunen
Tel: 31-416-690399
Fax: 31-416-690340

Norway - Trondheim
Tel: 47-7289-7561

Poland - Warsaw
Tel: 48-22-3325737

Romania - Bucharest
Tel: 40-21-407-87-50

Spain - Madrid
Tel: 34-91-708-08-90
Fax: 34-91-708-08-91

Sweden - Gothenberg
Tel: 46-31-704-60-40

Sweden - Stockholm
Tel: 46-8-5090-4654

UK - Wokingham
Tel: 44-118-921-5800
Fax: 44-118-921-5820

Mouser Electronics

Authorized Distributor

Click to View Pricing, Inventory, Delivery & Lifecycle Information:

Microchip:

[DSC1121CM1-010.7000T](#) [DSC1121CI2-020.0000T](#) [DSC1121CI2-125.0000T](#) [DSC1101CI5-048.0000](#) [DSC1121CI2-060.0000T](#) [DSC1121CI2-074.2500T](#) [DSC1121CI5-040.0000](#) [DSC1121CI5-050.0000T](#) [DSC1121DL2-032.0000](#) [DSC1121CI2-024.0000T](#) [DSC1121CI2-040.0000](#) [DSC1101BE2-025.0000](#) [DSC1121CI2-062.5000](#) [DSC1121CI2-150.0000](#) [DSC1121CI2-150.0000T](#) [DSC1121CM1-025.0000T](#) [DSC1101DI5-026.0000T](#) [DSC1121AI2-029.4912T](#) [DSC1121BI1-026.0000](#) [DSC1121CE1-016.0000](#) [DSC1121CE2-066.6600T](#) [DSC1121AE1-040.0000T](#) [DSC1121AI5-125.0032](#) [DSC1121AI5-125.0032T](#) [DSC1121AM1-025.0000T](#) [DSC1121CI2-025.0000](#) [DSC1121CI2-025.0012T](#) [DSC1121CM2-027.0000](#) [DSC1121AE2-156.2500](#) [DSC1121AM1-033.0000](#) [DSC1121AM1-050.0000T](#) [DSC1121BI2-156.2539T](#) [DSC1121AE1-024.5760T](#) [DSC1121DI2-010.0000T](#) [DSC1121DI2-065.5360T](#) [DSC1121CI2-024.5760T](#) [DSC1121BL1-125.0000](#) [DSC1121CE2-066.6600](#) [DSC1121CI1-125.0000T](#) [DSC1121BI2-120.0000T](#) [DSC1121CE2-025.0000T](#) [DSC1121CI2-012.2880](#) [DSC1121CI2-013.0000T](#) [DSC1121CI2-066.0000](#) [DSC1121CL2-027.0000](#) [DSC1121AE2-125.0000T](#) [DSC1121AI1-155.5200T](#) [DSC1121AI2-050.0000T](#) [DSC1121AI5-050.0000](#) [DSC1121BI2-010.0000T](#) [DSC1121BI2-025.0000T](#) [DSC1121AE1-125.0000T](#) [DSC1121AE1-016.0000T](#) [DSC1121BI2-100.0000](#) [DSC1121BI5-150.0000](#) [DSC1121BM2-120.0000](#) [DSC1121AE2-025.0000T](#) [DSC1101AE1-050.0000](#) [DSC1101CL2-010.0000](#) [DSC1101CM2-062.2080](#) [DSC1101DM2-125.0000](#) [DSC1121AE1-025.0000T](#) [DSC1121AE1-075.0000](#) [DSC1121AE1-075.0000T](#) [DSC1121AE2-075.0000T](#) [DSC1121AI1-025.0000](#) [DSC1121CL2-027.0000T](#) [DSC1121DL1-016.0000T](#) [DSC1121DL2-127.0000T](#) [DSC1121AI2-003.6864T](#) [DSC1121AI2-025.0000T](#) [DSC1121AI2-125.0000T](#) [DSC1121AI2-131.0750T](#) [DSC1101CI5-020.0000T](#) [DSC1101DI5-066.0000T](#) [DSC1121CI5-014.7456T](#) [DSC1121CL2-040.0000](#) [DSC1121DI2-125.0000T](#) [DSC1101CI2-066.0000](#) [DSC1101CI5-024.7500](#) [DSC1101DI5-060.0000T](#) [DSC1121CE1-075.0000T](#) [DSC1121CE2-026.0000T](#) [DSC1121CI2-012.2880T](#) [DSC1121CI2-050.0000](#) [DSC1121CI2-050.0000T](#) [DSC1121CI2-133.0000](#) [DSC1121CI2-025.0000T](#) [DSC1121CL2-040.0000T](#) [DSC1121CM1-048.0000T](#) [DSC1121CM1-125.0000T](#) [DSC1121DL2-024.7500](#) [DSC1121BI2-150.0000T](#) [DSC1121BI2-125.0037T](#) [DSC1121BI2-200.0000T](#) [DSC1121BI5-012.6500](#) [DSC1121BM1-060.0000T](#) [DSC1121CE1-025.0012T](#) [DSC1121CE2-025.0000](#) [DSC1121CM1-016.0000T](#)



Компания «ЭлектроПласт» предлагает заключение долгосрочных отношений при поставках импортных электронных компонентов на взаимовыгодных условиях!

Наши преимущества:

- Оперативные поставки широкого спектра электронных компонентов отечественного и импортного производства напрямую от производителей и с крупнейших мировых складов;
- Поставка более 17-ти миллионов наименований электронных компонентов;
- Поставка сложных, дефицитных, либо снятых с производства позиций;
- Оперативные сроки поставки под заказ (от 5 рабочих дней);
- Экспресс доставка в любую точку России;
- Техническая поддержка проекта, помощь в подборе аналогов, поставка прототипов;
- Система менеджмента качества сертифицирована по Международному стандарту ISO 9001;
- Лицензия ФСБ на осуществление работ с использованием сведений, составляющих государственную тайну;
- Поставка специализированных компонентов (Xilinx, Altera, Analog Devices, Intersil, Interpoint, Microsemi, Aeroflex, Peregrine, Syfer, Eurofarad, Texas Instrument, Miteq, Cobham, E2V, MA-COM, Hittite, Mini-Circuits, General Dynamics и др.);

Помимо этого, одним из направлений компании «ЭлектроПласт» является направление «Источники питания». Мы предлагаем Вам помощь Конструкторского отдела:

- Подбор оптимального решения, техническое обоснование при выборе компонента;
- Подбор аналогов;
- Консультации по применению компонента;
- Поставка образцов и прототипов;
- Техническая поддержка проекта;
- Защита от снятия компонента с производства.



Как с нами связаться

Телефон: 8 (812) 309 58 32 (многоканальный)

Факс: 8 (812) 320-02-42

Электронная почта: org@eplast1.ru

Адрес: 198099, г. Санкт-Петербург, ул. Калинина, дом 2, корпус 4, литера А.