



FEATURES

- RoHS compliant
- Efficiency up to 78%
- Wide temperature performance at full 1 Watt load, -40°C to 85°C
- UL 94V-0 Package material
- Footprint over pins 1.64cm²
- Lead frame technology
- 3.3V, 5V & 12V Input
- 3.3V, 5V, 9V, 12V & 15V Output
- Internal SMD construction
- Toroidal magnetics
- 1kVDC Isolation
- MTTF up to 2.1 Million hours
- Power density 1.36W/cm³
- No heatsink required
- Custom solutions available
- Multi-layer ceramic capacitors

PRODUCT OVERVIEW

The NTA series of miniature surface mounted DC/DC Converters employ leadframe technology and transfer moulding techniques to bring all of the benefits of IC style packaging to hybrid circuitry. Co-planarity of the lead positions is based upon IEC 191-6:1990. The devices are suitable for all applications where high volume production is envisaged.

SELECTION GUIDE

Order Code ¹	Nominal Input Voltage	Output Voltage	Output Current	Input Current at Rated Load	Efficiency	Isolation Capacitance	MTTF ²
	V	V	mA	mA	%	pF	kHrs
NTA0303MC	3.3	±3.3	±152	402	75	29	1005
NTA0305MC	3.3	±5	±100	388	78	30	399
NTA0309MC	3.3	±9	±55	405	75	34	827
NTA0312MC	3.3	±12	±42	390	77	40	375
NTA0315MC	3.3	±15	±33	392	77	42	206
NTA0503MC	5	±3.3	±152	259	77	31	964
NTA0505MC	5	±5	±100	290	69	33	1697
NTA0505MEC	5	±5	±100	251	80	42	367
NTA0509MC	5	±9	±55	267	75	38	682
NTA0512MC	5	±12	±42	260	77	44	343
NTA0515MC	5	±15	±33	256	78	43	188
NTA1205MC	12	±5	±100	121	69	50	559
NTA1209MC	12	±9	±55	113	74	72	375
NTA1212MC	12	±12	±42	111	75	89	243
NTA1215MC	12	±15	±33	110	76	100	154

INPUT CHARACTERISTICS

Parameter	Conditions	Min.	Typ.	Max.	Units
Voltage range	Continuous operation, 3V input types	2.97	3.3	3.63	V
	Continuous operation, 5V input types	4.5	5	5.5	
	Continuous operation, 12V input types	10.8	12	13.2	
Reflected ripple current			41	50	mA p-p

ISOLATION CHARACTERISTICS

Parameter	Conditions	Min.	Typ.	Max.	Units
Isolation voltage	Flash tested for 1 second	1000			VDC
Resistance	Viso= 1000VDC	10			GΩ

GENERAL CHARACTERISTICS

Parameter	Conditions	Min.	Typ.	Max.	Units
Switching frequency	0312MC, 0315MC		100		kHz
	0303MC, 0305MC, 0503MC, 0505MEC		110		
	All other variants		115		

ABSOLUTE MAXIMUM RATINGS

Lead temperature 1.5mm from case for 10 seconds	300°C
Internal power dissipation	700mW
Input voltage V _{IN} , NTA03 types	5.5V
Input voltage V _{IN} , NTA05 types	7V
Input voltage V _{IN} , NTA12 types	15V

1. If components are required in tape and reel format suffix order code code with -R, e.g. NTA0505MC-R.
 2. Calculated using MIL-HDBK-217F with nominal input voltage at full load.
- All specifications typical at T_a=25°C, nominal input voltage and rated output current unless otherwise specified.



OUTPUT CHARACTERISTICS					
Parameter	Conditions	Min.	Typ.	Max.	Units
Rated Power	T _A =-40°C to 85°C			1.0	W
Voltage Set Point Accuracy	See tolerance envelope				
Line regulation	High V _{IN} to low V _{IN}		1.0	1.2	%/%
Load Regulation ¹	10% load to rated load, 0303MC & 0503MC		10	15	%
	10% load to rated load, 5V output types		10	12	
	10% load to rated load, 0309MC		9.0	10	
	10% load to rated load, 0509MC & 1209MC		6.5	8.0	
	10% load to rated load, 0312MC & 0315MC		11	14	
	10% load to rated load, 0512MC & 1212MC		6.0	8.5	
	10% load to rated load, 0515MC & 1215MC		6.0	7.0	
Ripple and Noise	BW=DC to 20MHz, 3.3V output types, NTA0305MC & NTA0505MEC		40	80	mV p-p
	BW=DC to 20MHz, all other 5V output types		50	100	
	BW=DC to 20MHz, 9V output types		35	80	
	BW=DC to 20MHz, 12V output types		50	110	
	BW=DC to 20MHz, 15V output types		65	110	

TEMPERATURE CHARACTERISTICS					
Parameter	Conditions	Min.	Typ.	Max.	Units
Specification	All output types	-40		85	°C
Storage		-55		125	
Case temperature rise above ambient	0305MC, 0505MEC, 0312MC, 0315MC		19		
	0303MC, 0309MC, 0503MC		25		
	0505MC, 1205MC		46		
	All other variants		35		
Cooling	Free air convection				

TECHNICAL NOTES

ISOLATION VOLTAGE

'Hi Pot Test', 'Flash Tested', 'Withstand Voltage', 'Proof Voltage', 'Dielectric Withstand Voltage' & 'Isolation Test Voltage' are all terms that relate to the same thing, a test voltage, applied for a specified time, across a component designed to provide electrical isolation, to verify the integrity of that isolation.

Murata Power Solutions NTA series of DC/DC converters are all 100% production tested at their stated isolation voltage. This is 1kVDC for 1 second.

A question commonly asked is, "What is the continuous voltage that can be applied across the part in normal operation?"

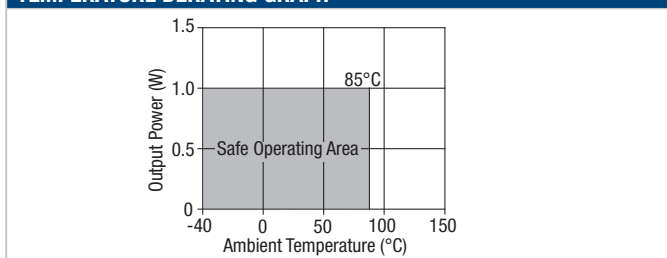
For a part holding no specific agency approvals, such as the NTA series, both input and output should normally be maintained within SELV limits i.e. less than 42.4V peak, or 60VDC. The isolation test voltage represents a measure of immunity to transient voltages and the part should never be used as an element of a safety isolation system. The part could be expected to function correctly with several hundred volts offset applied continuously across the isolation barrier; but then the circuitry on both sides of the barrier must be regarded as operating at an unsafe voltage and further isolation/insulation systems must form a barrier between these circuits and any user-accessible circuitry according to safety standard requirements.

REPEATED HIGH-VOLTAGE ISOLATION TESTING

It is well known that repeated high-voltage isolation testing of a barrier component can actually degrade isolation capability, to a lesser or greater degree depending on materials, construction and environment. The NTA series has toroidal isolation transformers, with no additional insulation between primary and secondary windings of enameled wire. While parts can be expected to withstand several times the stated test voltage, the isolation capability does depend on the wire insulation. Any material, including this enamel (typically polyurethane) is susceptible to eventual chemical degradation when subject to very high applied voltages thus implying that the number of tests should be strictly limited. We therefore strongly advise against repeated high voltage isolation testing, but if it is absolutely required, that the voltage be reduced by 20% from specified test voltage.

This consideration equally applies to agency recognized parts rated for better than functional isolation where the wire enamel insulation is always supplemented by a further insulation system of physical spacing or barriers.

TEMPERATURE DERATING GRAPH



1. 12V input types have typically 3% less load regulation change.

RoHS COMPLIANCE, MSL AND PSL INFORMATION



This series is compatible with RoHS soldering systems and is also backward compatible with Sn/Pb soldering systems. The NTA series has a process, moisture, and reflow sensitivity classification of MSL1 PSL R7F as defined in J-STD-020 and J-STD-075. This translates to: MSL1 = unlimited floor life, PSL R7F = Peak reflow temperature 245°C with a limitation on the time above liquidus (217°C) which for this series is 60sec max. The pin termination finish on this product series is Gold with a plating thickness of 0.05 microns minimum.

For further information please visit www.murata-ps.com/rohs

APPLICATION NOTES

Minimum load

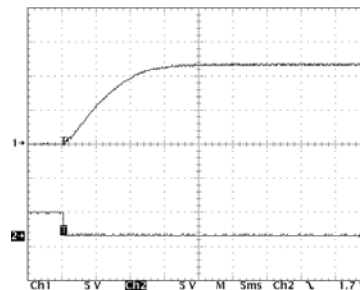
The minimum load to meet datasheet specification is 10% of the full rated load across the specified input voltage range. Lower than 10% minimum loading will result in an increase in output voltage, which may rise to typically double the specified output voltage if the output load falls to less than 5%.

Capacitive loading and start up

Typical start up times for this series, with a typical input voltage rise time of 2.2µs and output capacitance of 10µF, are shown in the table below. The product series will start into a capacitance of 47µF with an increased start time, however, the maximum recommended output capacitance is 10µF.

	Start-up time µs		Start-up time µs
NTA0303MC	1630	NTA0509MC	6850
NTA0305MC	1359	NTA0512MC	11560
NTA0309MC	3435	NTA0515MC	15640
NTA0312MC	6590	NTA1205MC	1154
NTA0315MC	25340	NTA1209MC	4050
NTA0503MC	1599	NTA1212MC	7995
NTA0505MC	2185	NTA1215MC	11200
NTA0505MEC	1395		

Typical Start-Up Wave Form



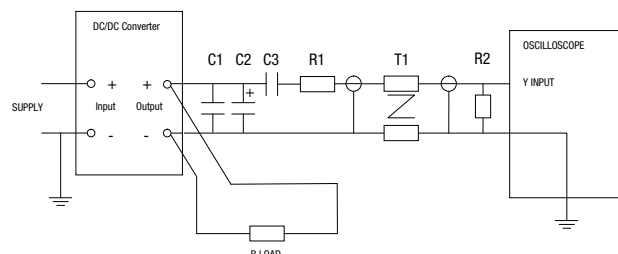
Ripple & Noise Characterisation Method

Ripple and noise measurements are performed with the following test configuration.

C1	1µF X7R multilayer ceramic capacitor, voltage rating to be a minimum of 3 times the output voltage of the DC/DC converter
C2	10µF tantalum capacitor, voltage rating to be a minimum of 1.5 times the output voltage of the DC/DC converter with an ESR of less than 100mΩ at 100 kHz
C3	100nF multilayer ceramic capacitor, general purpose
R1	450Ω resistor, carbon film, ±1% tolerance
R2	50Ω BNC termination
T1	3T of the coax cable through a ferrite toroid
RLOAD	Resistive load to the maximum power rating of the DC/DC converter. Connections should be made via twisted wires

Measured values are multiplied by 10 to obtain the specified values.

Differential Mode Noise Test Schematic



APPLICATION NOTES (continued)

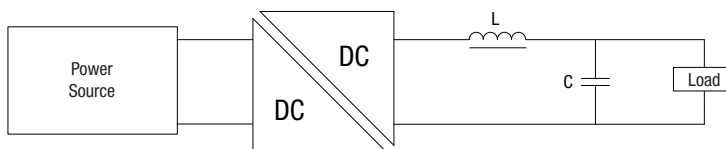
Output Ripple Reduction

By using the values of inductance and capacitance stated, the output ripple at the rated load is lowered to 5mV p-p max.

Component selection

Capacitor: It is required that the ESR (Equivalent Series Resistance) should be as low as possible, ceramic types are recommended. The voltage rating should be at least twice (except for 15V output), the rated output voltage of the DC/DC converter.

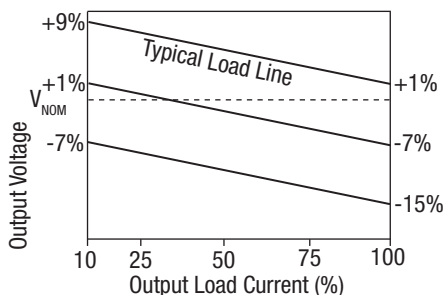
Inductor: The rated current of the inductor should not be less than that of the output of the DC/DC converter. At the rated current, the DC resistance of the inductor should be such that the voltage drop across the inductor is <2% of the rated voltage of the DC/DC converter. The SRF (Self Resonant Frequency) should be >20MHz.



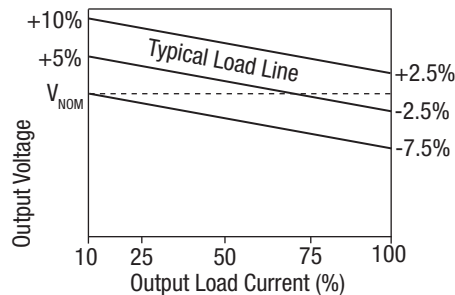
	Inductor			Capacitor
	L, μ H	SMD	Through Hole	C, μ F
NTA0303MC	10	82103C	11R103C	4.7
NTA0305MC	22	82223C	11R223C	2.2
NTA0309MC	22	82223C	11R223C	2.2
NTA0312MC	47	82473C	11R473C	1
NTA0315MC	220	82474C	11R474C	0.22
NTA0503MC	10	82103C	11R103C	4.7
NTA0505MC	10	82103C	11R103C	4.7
NTA0505MEC	10	82103C	11R103C	4.7
NTA0509MC	22	82223C	11R223C	2.2
NTA0512MC	47	82473C	11R473C	1
NTA0515MC	220	82474C	11R474C	0.22
NTA1205MC	10	82103C	11R103C	4.7
NTA1209MC	22	82223C	11R223C	2.2
NTA1212MC	47	82473C	11R473C	1
NTA1215MC	220	82474C	11R474C	0.22

TOLERANCE ENVELOPES

Tolerance Envelope - 3.3V output types.



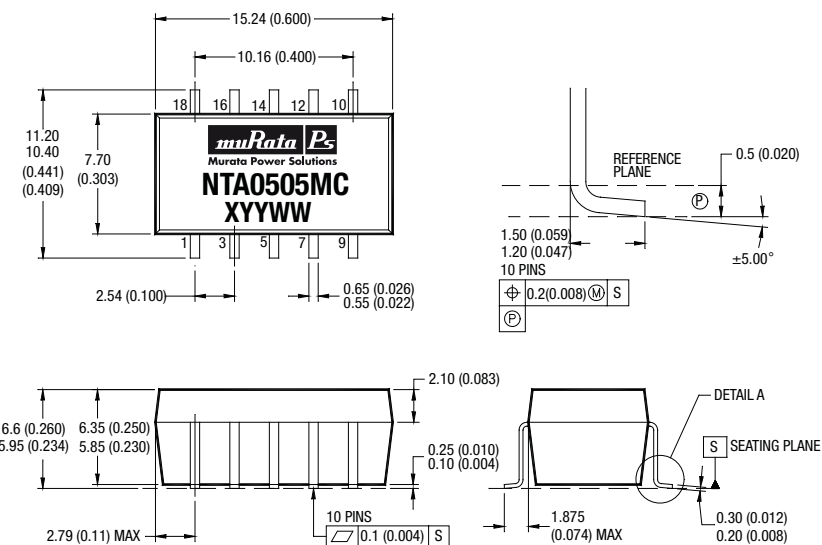
All other types.



The voltage tolerance envelope shows typical load regulation characteristics for this product series. The tolerance envelope is the maximum output voltage variation due to changes in output loading.

PACKAGE SPECIFICATIONS

MECHANICAL DIMENSIONS



All dimensions in mm ±0.25mm (inches ±0.01). All pins on a 2.54 (0.1) pitch.

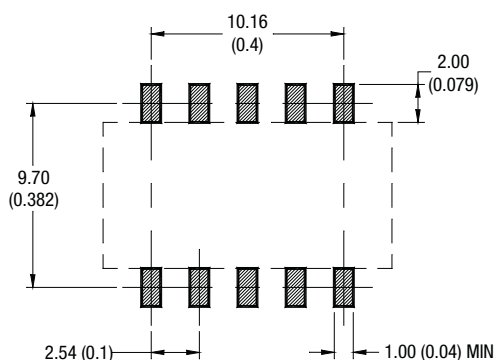
Weight: 1.53g

PIN CONNECTIONS

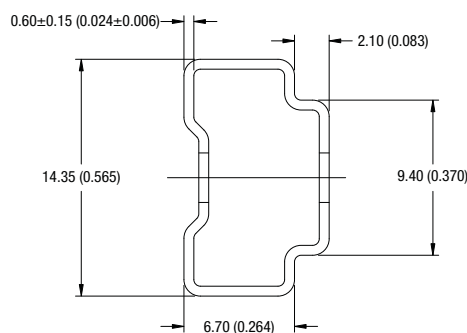
Pin	Function
1	-V _{IN}
3	+V _{IN}
5	NA
7	OV
9	-V _{OUT}
10	NA
12	+V _{OUT}
14	NA
16	NA
18	NA

NA - Not available for electrical connection.

RECOMMENDED FOOTPRINT DETAILS



TUBE OUTLINE DIMENSIONS

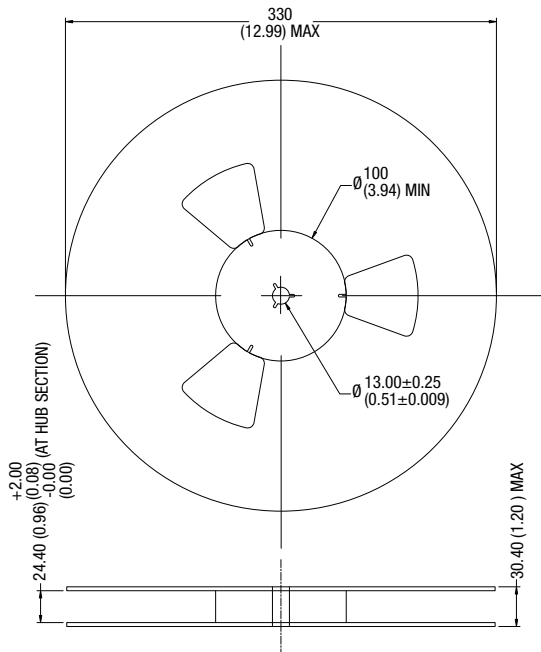


Unless otherwise stated all dimensions in mm±0.5 (inches ±0.02).
Tube length : 475±2.0 (18.70±0.07).

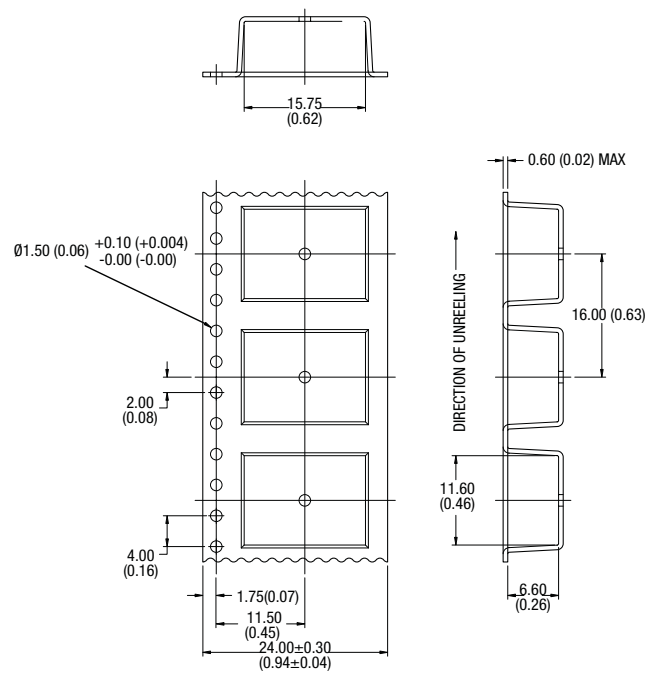
Tube Quantity : 25

TAPE & REEL SPECIFICATIONS

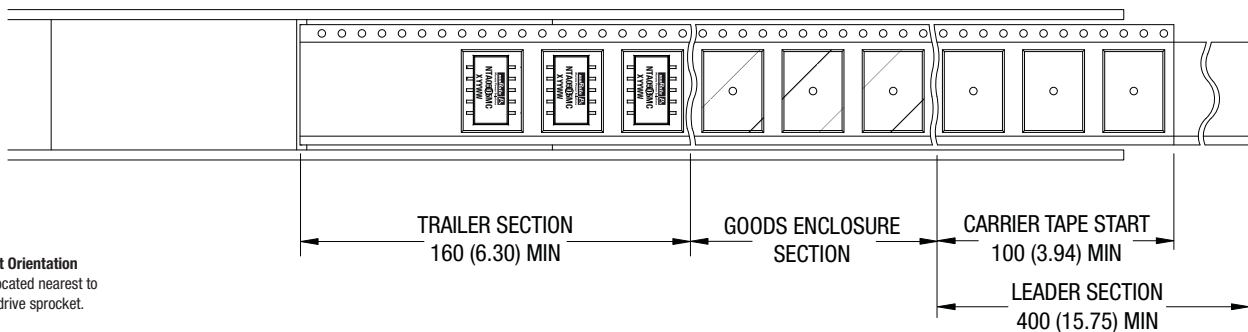
REEL OUTLINE DIMENSIONS



TAPE OUTLINE DIMENSIONS



REEL PACKAGING DETAILS



Product Orientation
Pin 1, located nearest to carrier drive sprocket.

Reel Quantity : 500

Murata Power Solutions, Inc.
11 Cabot Boulevard, Mansfield, MA 02048-1151 U.S.A.
ISO 9001 and 14001 REGISTERED



**This product is subject to the following operating requirements and the Life and Safety Critical Application Sales Policy:
Refer to: <http://www.murata-ps.com/requirements/>**

Murata Power Solutions, Inc. makes no representation that the use of its products in the circuits described herein, or the use of other technical information contained herein, will not infringe upon existing or future patent rights. The descriptions contained herein do not imply the granting of licenses to make, use, or sell equipment constructed in accordance therewith. Specifications are subject to change without notice. © 2012 Murata Power Solutions, Inc.



Компания «ЭлектроПласт» предлагает заключение долгосрочных отношений при поставках импортных электронных компонентов на взаимовыгодных условиях!

Наши преимущества:

- Оперативные поставки широкого спектра электронных компонентов отечественного и импортного производства напрямую от производителей и с крупнейших мировых складов;
- Поставка более 17-ти миллионов наименований электронных компонентов;
- Поставка сложных, дефицитных, либо снятых с производства позиций;
- Оперативные сроки поставки под заказ (от 5 рабочих дней);
- Экспресс доставка в любую точку России;
- Техническая поддержка проекта, помощь в подборе аналогов, поставка прототипов;
- Система менеджмента качества сертифицирована по Международному стандарту ISO 9001;
- Лицензия ФСБ на осуществление работ с использованием сведений, составляющих государственную тайну;
- Поставка специализированных компонентов (Xilinx, Altera, Analog Devices, Intersil, Interpoint, Microsemi, Aeroflex, Peregrine, Syfer, Eurofarad, Texas Instrument, Miteq, Cobham, E2V, MA-COM, Hittite, Mini-Circuits, General Dynamics и др.);

Помимо этого, одним из направлений компании «ЭлектроПласт» является направление «Источники питания». Мы предлагаем Вам помощь Конструкторского отдела:

- Подбор оптимального решения, техническое обоснование при выборе компонента;
- Подбор аналогов;
- Консультации по применению компонента;
- Поставка образцов и прототипов;
- Техническая поддержка проекта;
- Защита от снятия компонента с производства.



Как с нами связаться

Телефон: 8 (812) 309 58 32 (многоканальный)

Факс: 8 (812) 320-02-42

Электронная почта: org@eplast1.ru

Адрес: 198099, г. Санкт-Петербург, ул. Калинина, дом 2, корпус 4, литера А.