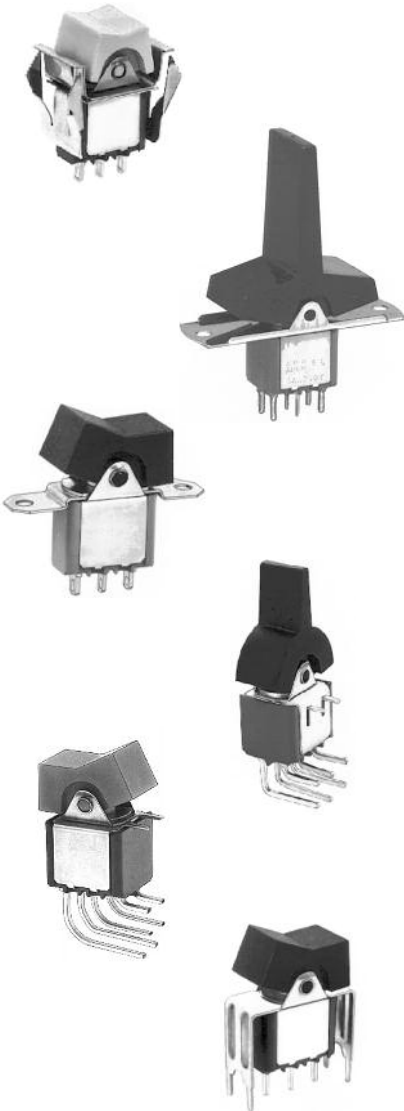


7000 series

Rocker and paddle switches

Distinctive features



❑ **Wide variety of actuators**

Rockers and paddles in different sizes
Available in 10 different colours
Two bezel types

❑ **4 terminal types**

Solder lugs
Quick-connect terminals
Straight or right angle PC terminals

❑ **Many mounting styles for panel or PCB**

Snap-in
By plate and screw
PCB mounting with or without bracket

❑ **4 contact materials**

Silver and gold plated silver
Gold plated and silver plated brass

❑ **8 electrical functions, maintained or momentary**

❑ **UL and CSA approved - for VDE refer to 57000**

The company reserves the right to change specifications without notice.

7000 series

Rocker and paddle switches

Specifications

ELECTRICAL SPECIFICATIONS

- Current/voltage rating with resistive load :

Contact	Maximum	Minimum	Level *
Silver A	4A 30VDC	50mA 10VDC	III and IV
Silver, gold plated AD	4A 30VDC Gold plating withstands up to 100mA 30VDC.	10mA 50mV 10 μ A 5V	I to IV
Brass, gold plated CD	0,4 VA at 20VAC or DC	10mA 50mV 10 μ A 5V	I and II

- For inductive, lamp or capacitive loads, consult factory. * For details, see technical information, end of catalogue.
- Initial contact resistance : 10 m Ω
- Insulation resistance : 1.000 M Ω min. at 500VDC
- Dielectric strength :
 - 1.000 Vrms 50 Hz min. between terminals
 - 1.500 Vrms 50 Hz min. between poles
 - 1.500 Vrms 50 Hz min. between terminals and frame
- Contact bounce : 2 ms max.
- Electrical life : 50.000 cycles at full load

MATERIALS

- Case : diallyphthalate (DAP) or high temperature plastic material (UL94-V0)
- Actuator : polyamide
- Housing : stainless steel or steel tin plated
- Bracket : steel, tin plated
- Contacts
 - A : silver
 - AD : silver, gold plated
 - CD : brass, gold plated
- Terminal seal : epoxy

GENERAL SPECIFICATIONS

- Low level or mechanical life : 100.000 cycles
- Panel thickness : 1 (.039) to 2,5 mm(.098)
- Operating temperature : -40°C to +85°C

AGENCY APPROVALS



3A 250VAC
6A 125VAC

For VDE, refer to 57000 series.

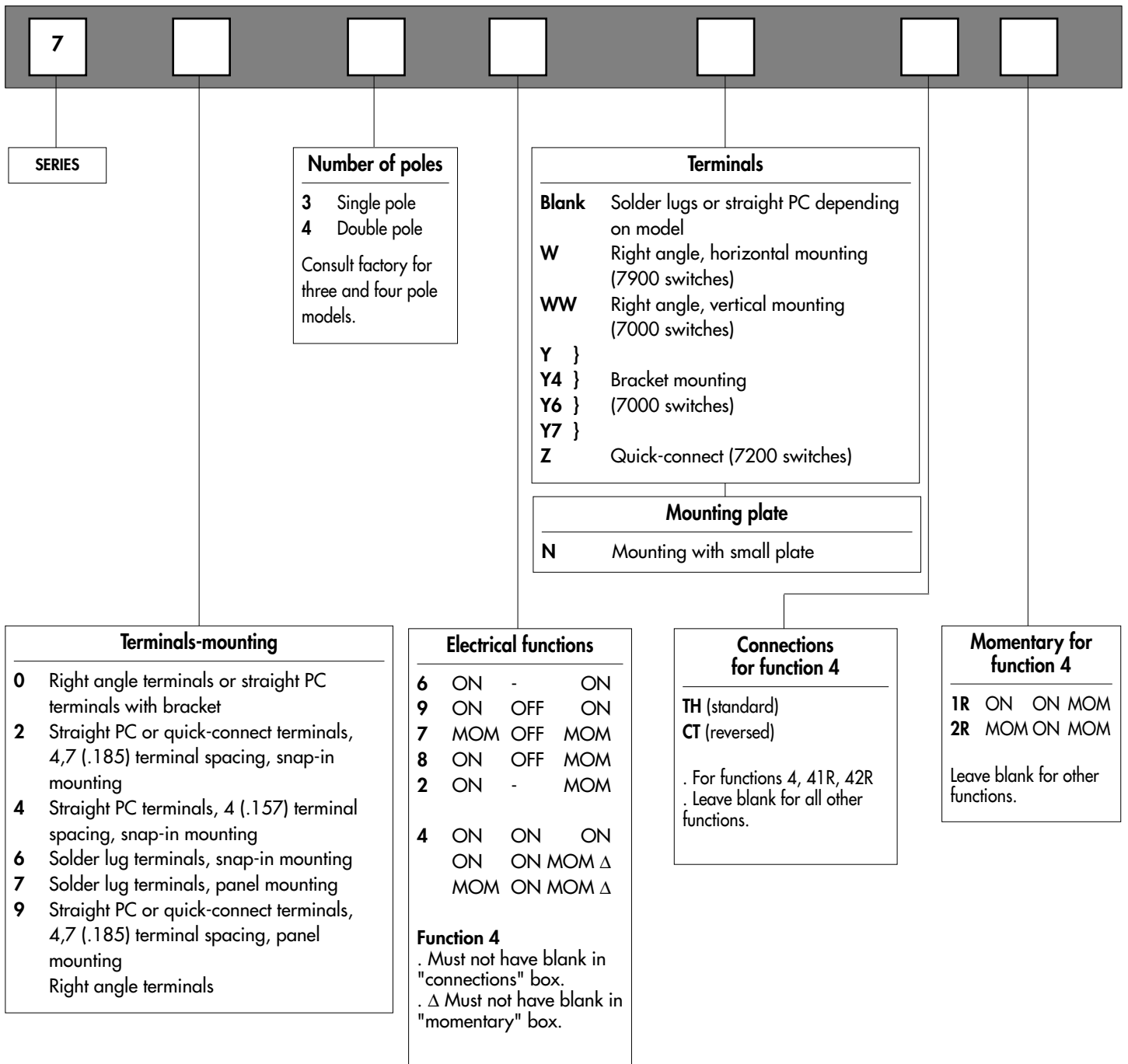
Availability : consult factory for details of approved models.

Marking : to order switches marked UL or CSA, complete appropriate box of ordering format.

7000 series

Rocker and paddle switches

Overview



ABOUT THIS SERIES

On the following pages, you will find successively :

- model structure of switches
- options in the same order as in above chart

Dimensions : first dimensions are in mm while inches are shown as bracketed numbers.



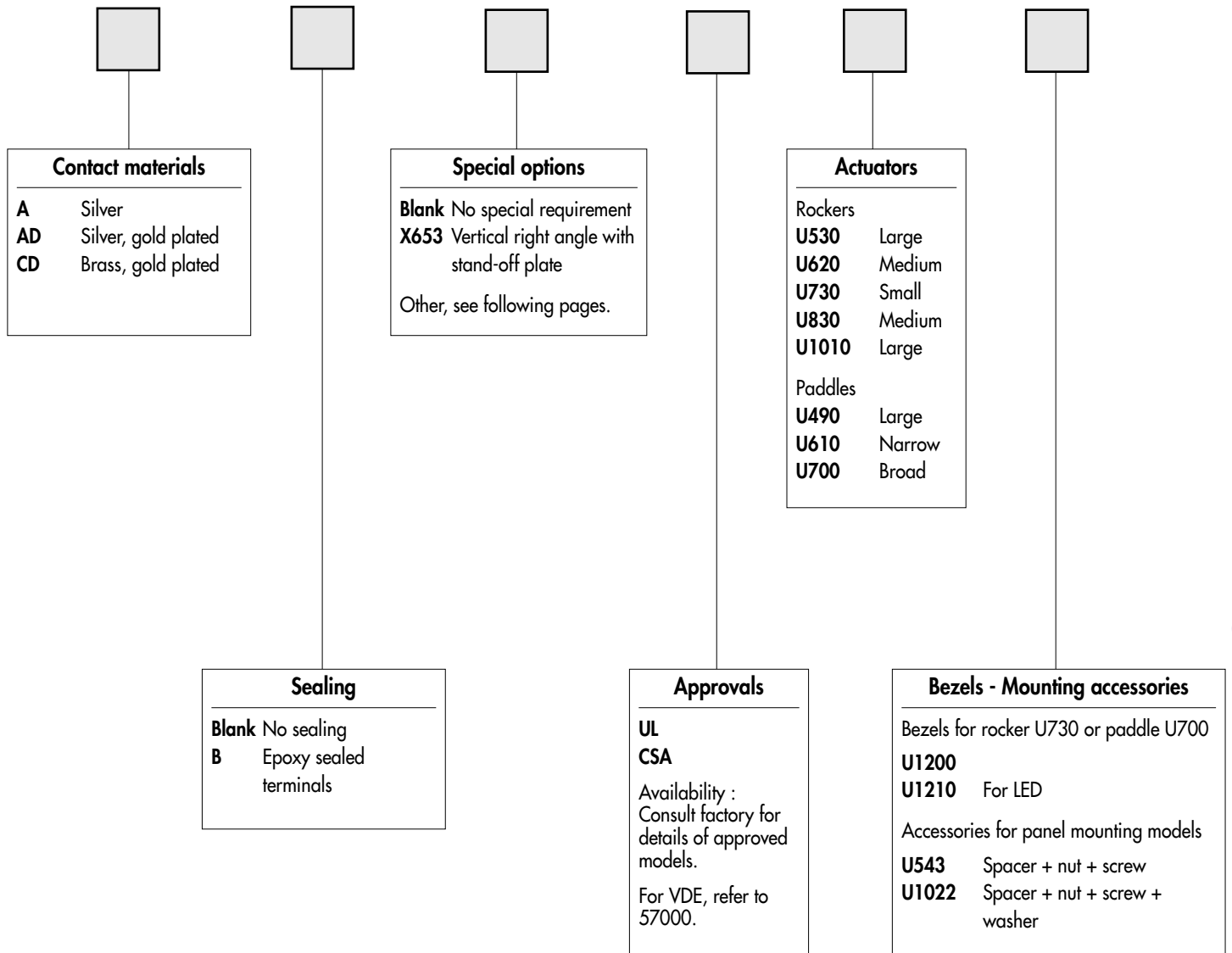
NOTICE : please note that not all combinations of above numbers are available. Refer to the following pages for further information.



7000 series

Rocker and paddle switches

Overview

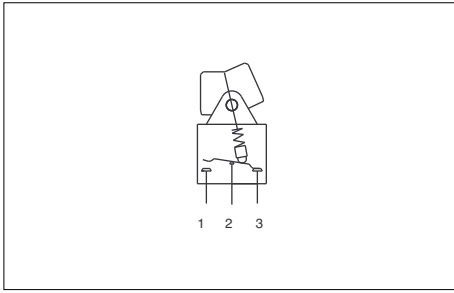


Packaging unit : 25 pieces.

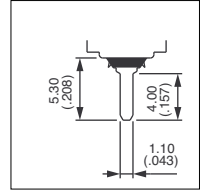
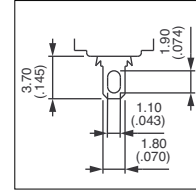
7000 series

Rocker and paddle switches

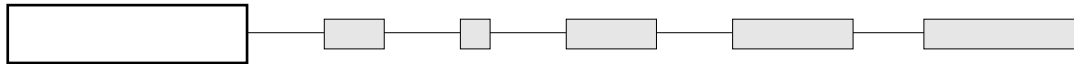
Snap-in mounting : 7600 - 7200 - 7400



- Solder lug or straight PC terminals
- Epoxy sealing standard on models with straight PC terminals



MODEL STRUCTURE



Shown with rocker U730 and bezel U1200

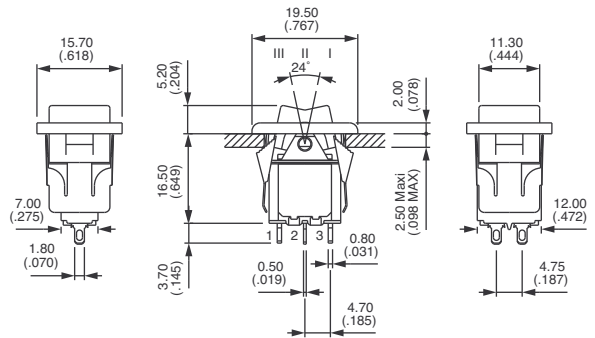
Solder lug terminals : 7600



Single pole Double pole

7636	7646	ON	-	ON
7639	7649	ON	OFF	ON
7637	7647	MOM	OFF	MOM
7638	7648	ON	OFF	MOM
7632	7642	ON	-	MOM
	7644*	ON	ON	ON
	7644 1R*	ON	ON	MOM
	7644 2R*	MOM	ON	MOM

III	II	I
2-3		1-2
5-6		4-5



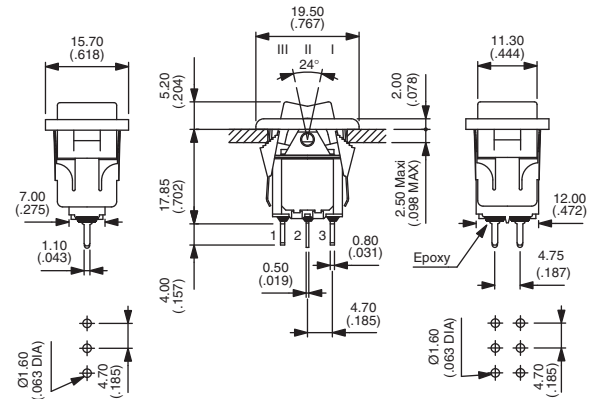
Straight PC terminals - spacing 4,7 (.185) : 7200



Single pole Double pole

7236 B	7246 B	ON	-	ON
7239 B	7249 B	ON	OFF	ON
7237 B	7247 B	MOM	OFF	MOM
7238 B	7248 B	ON	OFF	MOM
7232 B	7242 B	ON	-	MOM
	7244 B*	ON	ON	ON
	7244 1R B*	ON	ON	MOM
	7244 2R B*	MOM	ON	MOM

III	II	I
2-3		1-2
5-6		4-5



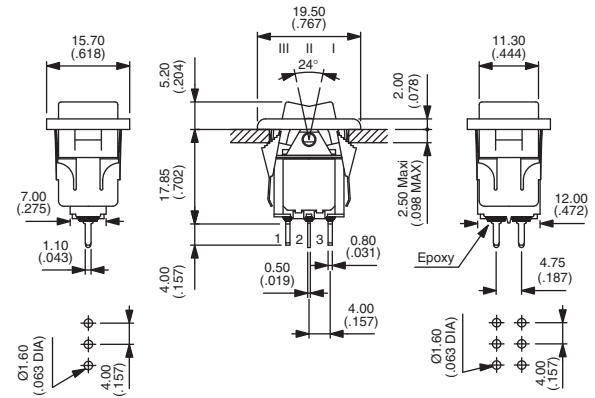
Straight PC terminals - spacing 4 (.157) : 7400



Single pole Double pole

7436 B	7446 B	ON	-	ON
7439 B	7449 B	ON	OFF	ON
7437 B	7447 B	MOM	OFF	MOM
7438 B	7448 B	ON	OFF	MOM
7432 B	7442 B	ON	-	MOM
	7444 B*	ON	ON	ON
	7444 1R B*	ON	ON	MOM
	7444 2R B*	MOM	ON	MOM

III	II	I
2-3		1-2
5-6		4-5



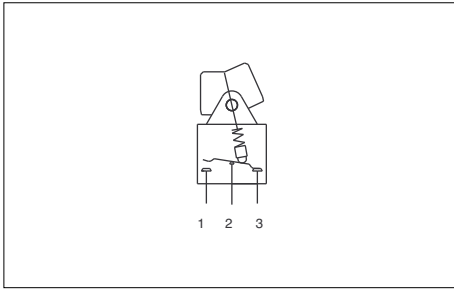
* Function 4 : SP in DP case - specify CT or TH connections, see end of catalogue.



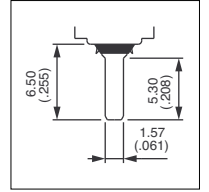
7000 series

Rocker and paddle switches

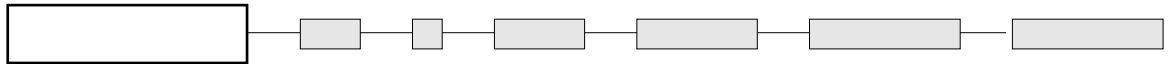
Snap-in mounting : 7200Z



- Quick-connect terminals



MODEL
STRUCTURE



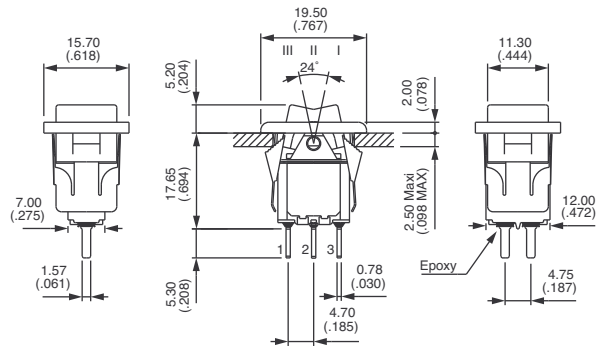
Shown with rocker U730 and bezel U1200

Quick-connect terminals : 7200Z



Single pole	Double pole
7236Z	7246Z
7239Z	7249Z
7237Z	7247Z
7238Z	7248Z
7232Z	7242Z
	7244Z*
	7244Z 1R*
	7244Z 2R*

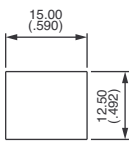
III	II	I
2-3		1-2
5-6		4-5
ON	-	ON
ON	OFF	ON
MOM	OFF	MOM
ON	OFF	MOM
ON	-	MOM
ON	ON	ON
ON	ON	MOM
MOM	ON	MOM



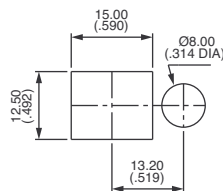
* Function 4 : SP in DP case - specify CT or TH connections, see end of catalogue.

PANEL CUT-OUT

7600 - 7200 - 7400 - 7200Z



With or without bezel U1200

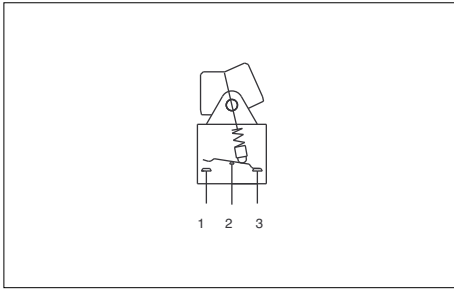


With bezel U1210

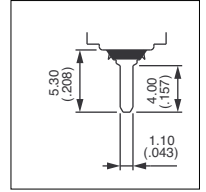
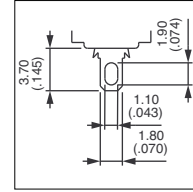
7000 series

Rocker and paddle switches

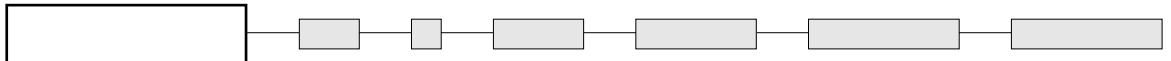
Panel mounting : 7700 - 7900



- Large rocker or paddle
- Solder lug or straight PC terminals
- Quick-connect terminals : on request
- Epoxy sealing standard on models with straight PC terminals

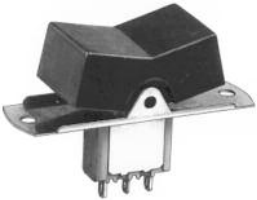


MODEL STRUCTURE



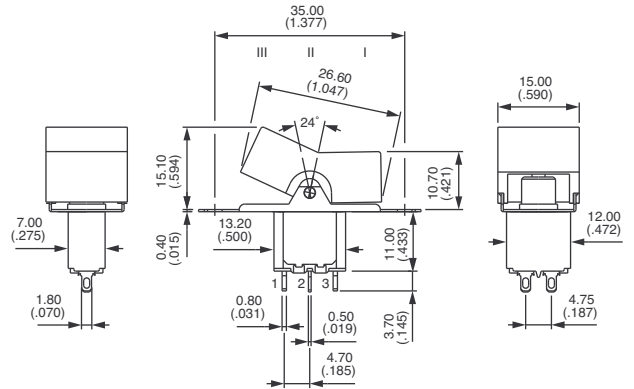
Shown with rocker U530

Solder lug terminals : 7700



Single pole	Double pole
7736	7746
7739	7749
7737	7747
7738	7748
7732	7742
	7744*
	7744 1R*
	7744 2R*

III	II	I
2-3		1-2
5-6		4-5
ON	-	ON
ON	OFF	ON
MOM	OFF	MOM
ON	OFF	MOM
ON	-	MOM
ON	ON	ON
ON	ON	MOM
MOM	ON	MOM

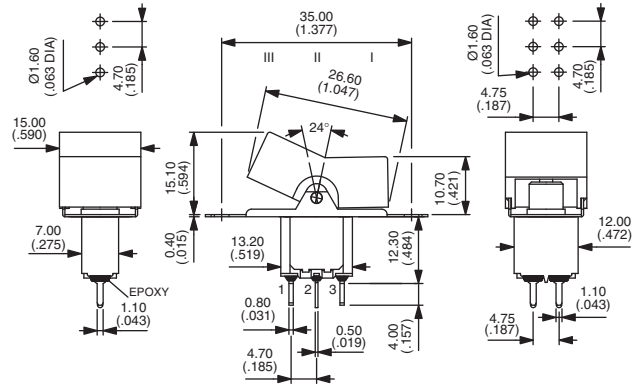


Straight PC terminals : 7900



Single pole	Double pole
7936 B	7946 B
7939 B	7949 B
7937 B	7947 B
7938 B	7948 B
7932 B	7942 B
	7944 B*
	7944 1R B*
	7944 2R B*

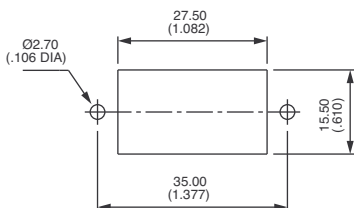
III	II	I
2-3		1-2
5-6		4-5
ON	-	ON
ON	OFF	ON
MOM	OFF	MOM
ON	OFF	MOM
ON	-	MOM
ON	ON	ON
ON	ON	MOM
MOM	ON	MOM



* Function 4 : SP in DP case - specify CT or TH connections, see end of catalogue.

PANEL CUT-OUT

7700 - 7900

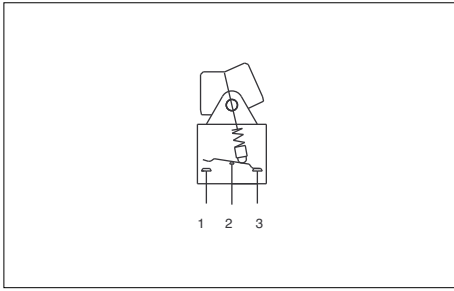




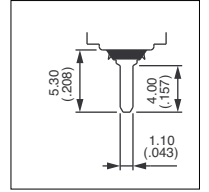
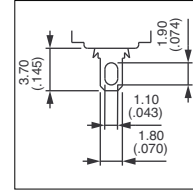
7000 series

Rocker and paddle switches

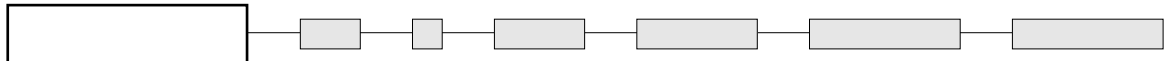
Panel mounting : 7700N - 7900N



- Small or medium rocker or paddle
- Solder lug or straight PC terminals
- Quick-connect terminals : on request
- Epoxy sealing standard on models with straight PC terminals



MODEL STRUCTURE



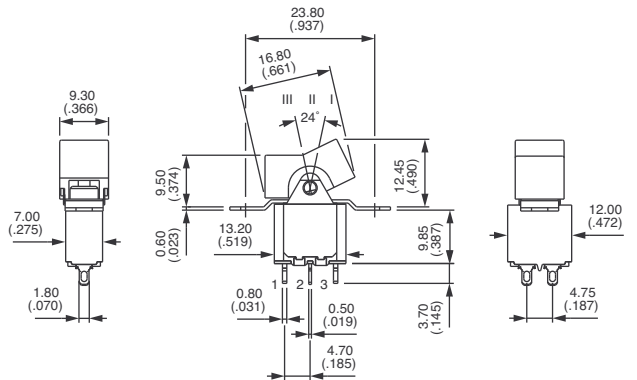
Shown with rocker U620

Solder lug terminals : 7700N



Single pole	Double pole
7736N	7746N
7739N	7749N
7737N	7747N
7738N	7748N
7732N	7742N
	7744N*
	7744N 1R*
	7744N 2R*

III	II	I
2-3		1-2
5-6		4-5
ON	-	ON
ON	OFF	ON
MOM	OFF	MOM
ON	OFF	MOM
ON	-	MOM
ON	ON	ON
ON	ON	MOM
MOM	ON	MOM

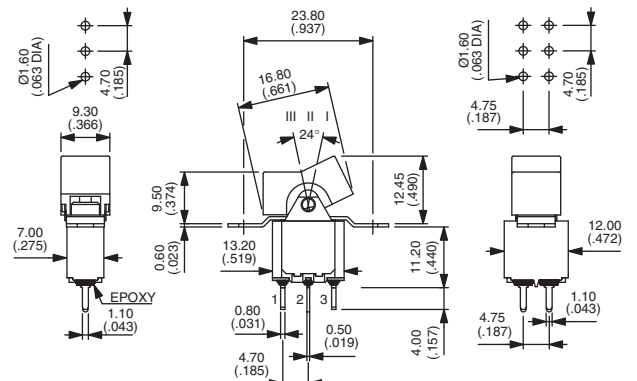


Straight PC terminals : 7900N



Single pole	Double pole
7936N B	7946N B
7939N B	7949N B
7937N B	7947N B
7938N B	7948N B
7932N B	7942N B
	7944N B*
	7944N 1R B*
	7944N 2R B*

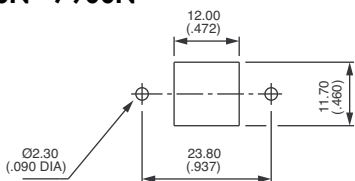
III	II	I
2-3		1-2
5-6		4-5
ON	-	ON
ON	OFF	ON
MOM	OFF	MOM
ON	OFF	MOM
ON	-	MOM
ON	ON	ON
ON	ON	MOM
MOM	ON	MOM



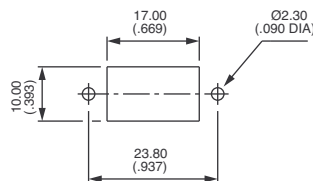
* Function 4 : SP in DP case - specify CT or TH connections, see end of catalogue.

PANEL CUT-OUT

7700N - 7900N



With small rocker **U730**
or small paddle **U700**

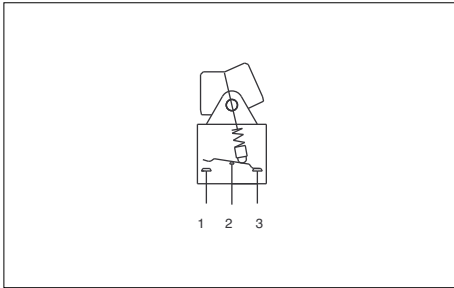


With medium rocker **U620**
or medium paddle **U610**

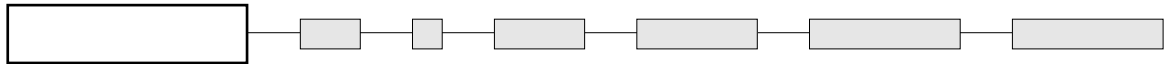
7000 series

Rocker and paddle switches

Right angle terminals - horizontal : 7900W



MODEL
STRUCTURE



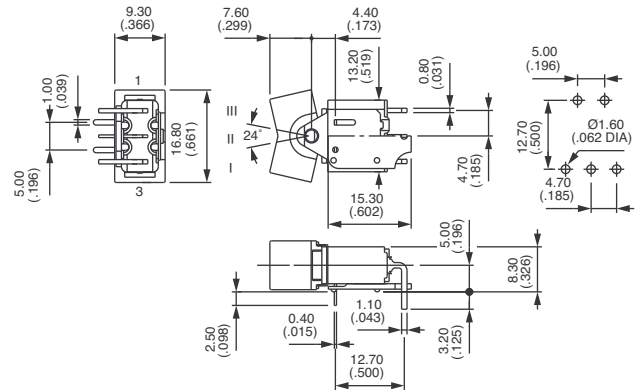
Shown with rocker U620

Single pole



7936W
7939W
7937W
7938W**
7932W**

III	II	I
2-3		1-2
ON	-	ON
ON	OFF	ON
MOM	OFF	MOM
ON	OFF	MOM
ON	-	MOM

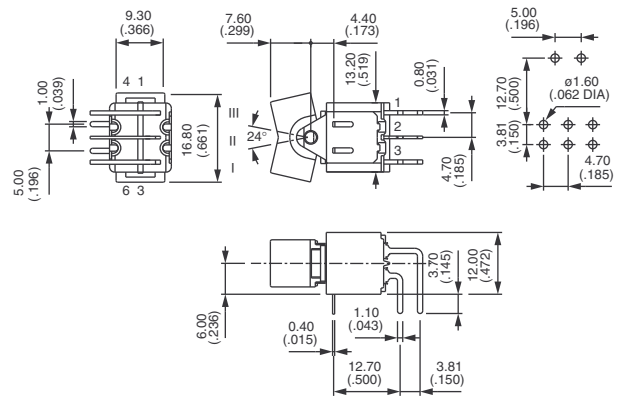


Double pole



7946W
7949W
7947W
7948W**
7942W**
7944W*
7944W 1R*
7944W 2R*

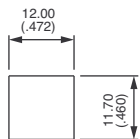
III	II	I
2-3		1-2
5-6		4-5
ON	-	ON
ON	OFF	ON
MOM	OFF	MOM
ON	OFF	MOM
ON	-	MOM
ON	ON	ON
ON	ON	MOM
MOM	ON	MOM



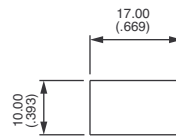
* Function 4 : SP in DP case - specify CT or TH connections, see end of catalogue.

** Functions 2 and 8 : standard connection (CT) shown on drawing - reversed connection available. Consult factory.

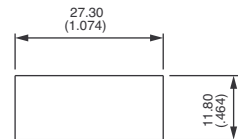
PANEL CUT-OUT



With small rocker **U730**
or small paddle **U700**



With medium rocker **U620**
or medium paddle **U610**



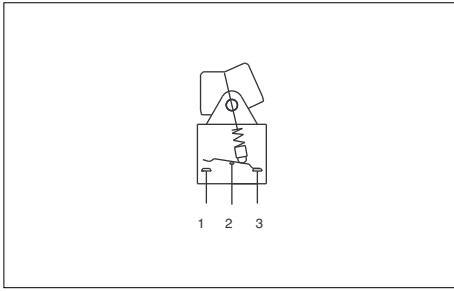
With large rocker **U1010**



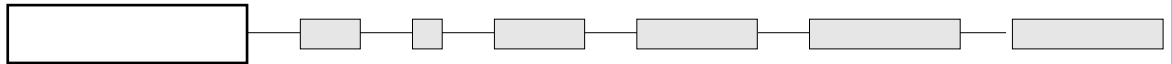
7000 series

Rocker and paddle switches

Right angle terminals - vertical : 7000WW



MODEL STRUCTURE



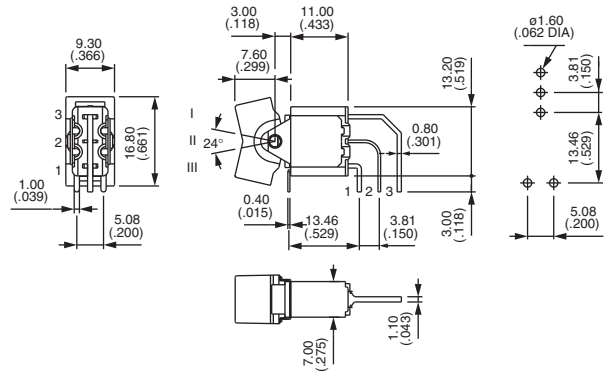
Shown with rocker U830

Single pole



- 7036WW
- 7039WW
- 7037WW
- 7038WW**
- 7032WW**

III	II	I
2-3		1-2
ON	-	ON
ON	OFF	ON
MOM	OFF	MOM
ON	OFF	MOM
ON	-	MOM

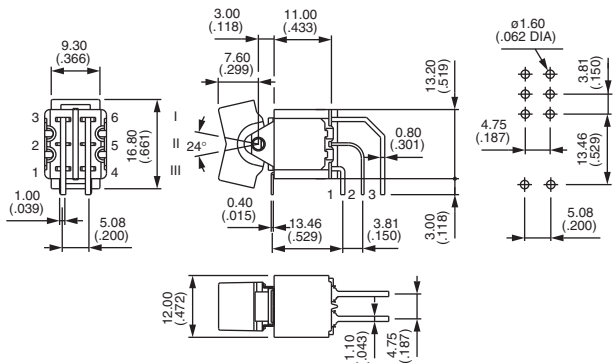


Double pole



- 7046WW
- 7049WW
- 7047WW
- 7048WW**
- 7042WW**
- 7044WW*
- 7044WW 1R*
- 7044WW 2R*

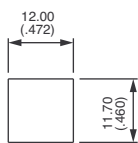
III	II	I
2-3		1-2
5-6		4-5
ON	-	ON
ON	OFF	ON
MOM	OFF	MOM
ON	OFF	MOM
ON	-	MOM
ON	ON	ON
ON	ON	MOM
MOM	ON	MOM



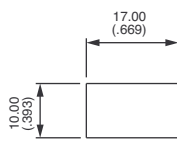
* Function 4 : SP in DP case - specify CT or TH connections, see end of catalogue.

** Functions 2 and 8 : standard connection (CT) shown on drawing - reversed connection available. Consult factory.

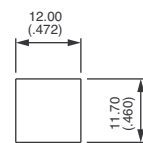
PANEL CUT-OUT



With small rocker **U730**



With medium rocker **U830**

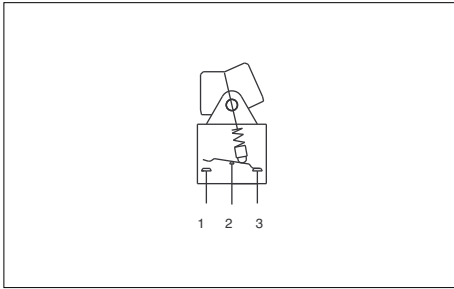


With broad paddle **U700**

7000 series

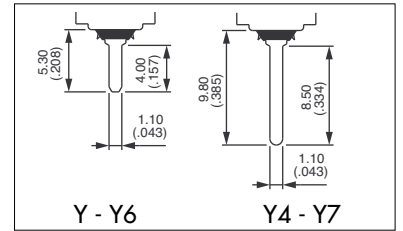
Rocker and paddle switches

Straight PC terminals - bracket mounting : 7000Y

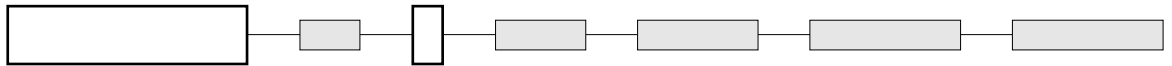


Brackets reduce mechanical stress on solder joints and increase the resistance to vibrations.

- Epoxy sealed terminals standard (B included in model structure)



MODEL STRUCTURE



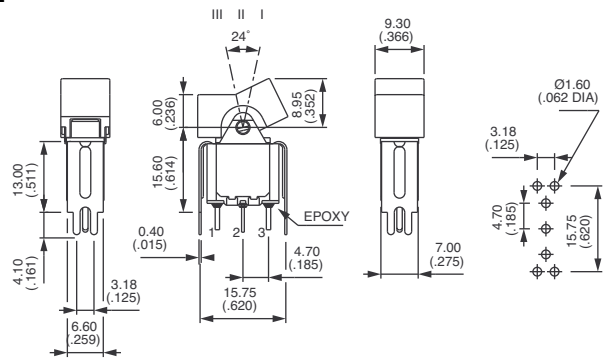
Shown with rocker U620

Short bracket - width 15,75 (.620) - single pole : 7030Y



7036Y B
7039Y B
7037Y B
7038Y B
7032Y B

III	II	I
2-3		1-2
5-6		4-5
ON	-	ON
ON	OFF	ON
MOM	OFF	MOM
ON	OFF	MOM
ON	-	MOM

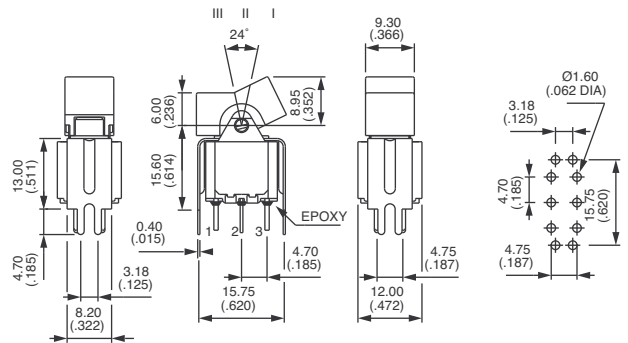


Short bracket - width 15,75 (.620) - double pole : 7040Y



7046Y B
7049Y B
7047Y B
7048Y B
7042Y B
7044Y* B
7044Y 1R* B
7044Y 2R* B

III	II	I
2-3		1-2
5-6		4-5
ON	-	ON
ON	OFF	ON
MOM	OFF	MOM
ON	OFF	MOM
ON	-	MOM
ON	ON	ON
ON	ON	MOM
MOM	ON	MOM



* Function 4 : SP in DP case - specify CT or TH connections, see end of catalogue.



7000 series

Rocker and paddle switches

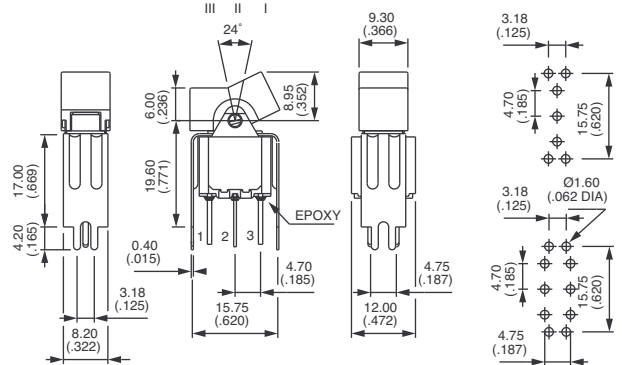
Straight PC terminals - bracket mounting : 7000Y4 - Y6 - Y7

Tall bracket - width 15,75 (.620) : 7000Y4



Single pole Double pole

Part Number	Part Number	III	II	I
7036Y4 B	7046Y4 B	2-3	-	1-2
7039Y4 B	7049Y4 B	ON	OFF	ON
7037Y4 B	7047Y4 B	MOM	OFF	MOM
7038Y4 B	7048Y4 B	ON	OFF	MOM
7032Y4 B	7042Y4 B	ON	-	MOM
	7044Y4* B	ON	ON	ON
	7044Y4 1R* B	ON	ON	MOM
	7044Y4 2R* B	MOM	ON	MOM

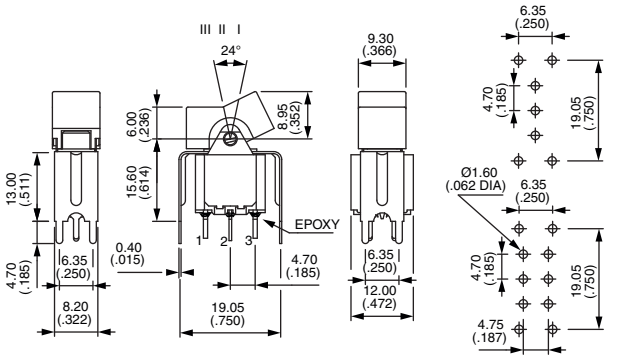


Short bracket - width 19,05 (.750) : 7000Y6



Single pole Double pole

Part Number	Part Number	III	II	I
7036Y6 B	7046Y6 B	2-3	-	1-2
7039Y6 B	7049Y6 B	ON	OFF	ON
7037Y6 B	7047Y6 B	MOM	OFF	MOM
7038Y6 B	7048Y6 B	ON	OFF	MOM
7032Y6 B	7042Y6 B	ON	-	MOM
	7044Y6* B	ON	ON	ON
	7044Y6 1R* B	ON	ON	MOM
	7044Y6 2R* B	MOM	ON	MOM

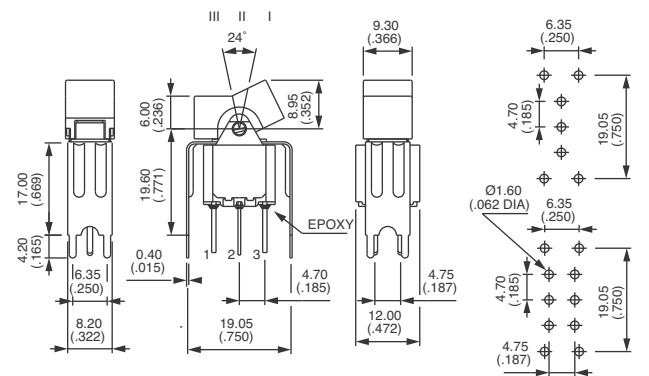


Tall bracket - width 19,05 (.750) : 7000Y7



Single pole Double pole

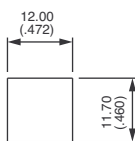
Part Number	Part Number	III	II	I
7036Y7 B	7046Y7 B	2-3	-	1-2
7039Y7 B	7049Y7 B	ON	OFF	ON
7037Y7 B	7047Y7 B	MOM	OFF	MOM
7038Y7 B	7048Y7 B	ON	OFF	MOM
7032Y7 B	7042Y7 B	ON	-	MOM
	7044Y7* B	ON	ON	ON
	7044Y7 1R* B	ON	ON	MOM
	7044Y7 2R* B	MOM	ON	MOM



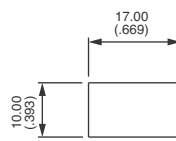
* Function 4 :SP in DP case - specify CT or TH connections, see end of catalogue.

PANEL CUT-OUT

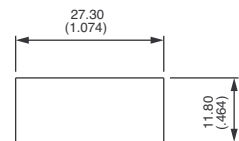
7000Y - Y4 - Y6 - Y7



With small rocker **U730**
or small paddle **U700**



With medium rocker **U620**
or medium paddle **U610**



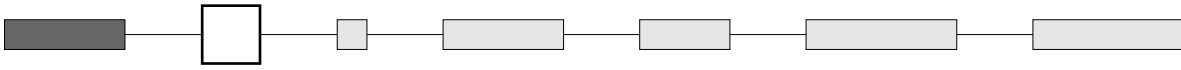
With large rocker **U1010**

7000 series

Rocker and paddle switches

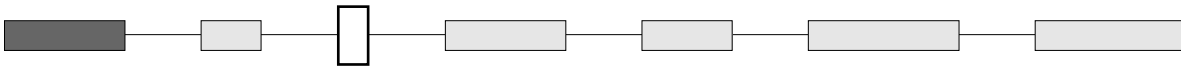


CONTACT MATERIALS



- A Silver
- AD Silver, gold plated
- CD Brass, gold plated

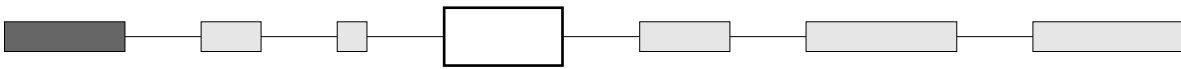
SEALING



- Blank No sealing
- B Epoxy sealed terminals




SPECIAL OPTIONS



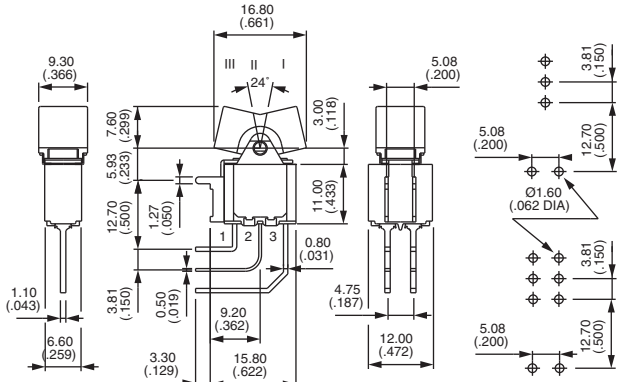
- Blank No special requirement
- X653 Vertical right angle with stand-off plate

Shown with rocker U620



	III	II	I
Single pole	2-3		1-2
Double pole	5-6		4-5
7036WW X653	ON	-	ON
7039WW X653	ON	OFF	ON
7037WW X653	MOM	OFF	MOM
7038WW X653	ON	OFF	MOM
7032WW X653	ON	-	MOM
7046WW X653	ON	ON	ON
7049WW X653	ON	ON	MOM
7047WW X653	ON	ON	MOM
7048WW X653**	MOM	ON	MOM
7042WW X653**	ON	ON	MOM
7044WW X653*	ON	ON	MOM
7044 1RWW X653*	MOM	ON	MOM
7044 2RWW X653*			

* Function 4 : SP in DP case - specify CT or TH connections, see end of catalogue.
** Functions 2 and 8 : reversed connection available. Consult factory.



Actuators for X653 : small rocker U730 and medium rocker U620, broad paddle U700 and narrow paddle U610.

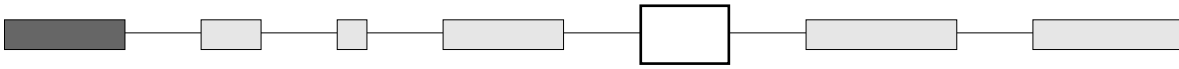
- X601 Silver plated brass contacts
Current voltage rating for an electrical life of 20.000 cycles : 0,5A 30VDC
Minimum quantity : 5.000 pieces per model and shipment.



7000 series

Rocker and paddle switches

AGENCY APPROVALS



UL
CSA

All standard models

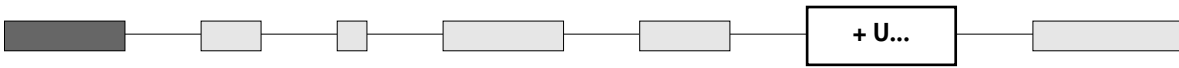
Availability : consult factory for details of approved combinations or options.

Marking : to order switches marked UL or CSA, complete above box with desired approvals in this order, without space (ex. ULCSA). Blank : no agency approval required.

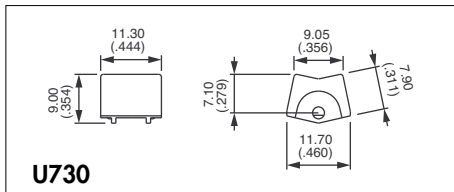
VDE (with UL & CSA)

Refer to **57000** series on the following pages.

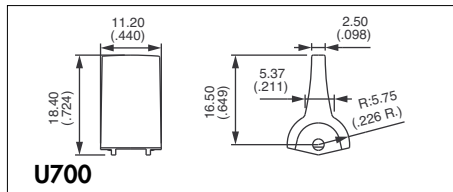
ACTUATORS



For snap-in mounting models : 7600 - 7200 - 7400 - 7200Z



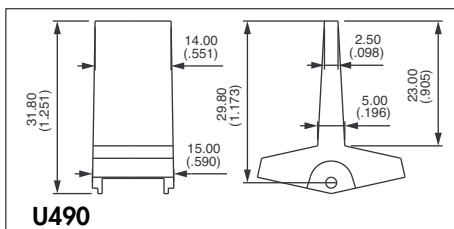
U730
Small rocker



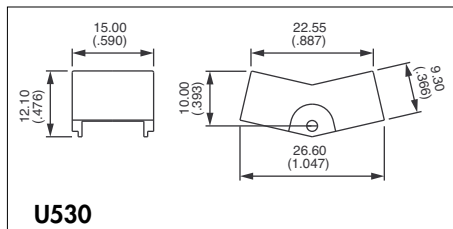
U700
Broad paddle

Actuator colours	
Replace last "0" by number	
1	blue
1/4	dark blue
2	black
3	green
4	grey
5	yellow
6	red
7	ivory
7/1	white
9	orange

For 7700 and 7900 models

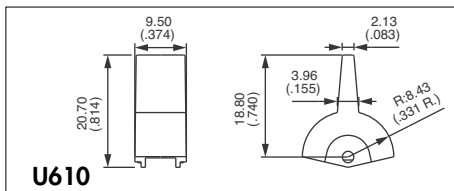


U490
Large paddle

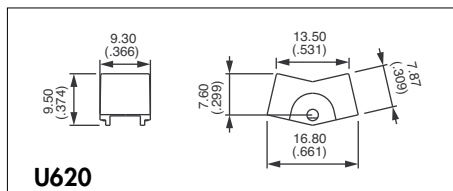


U530
Large rocker

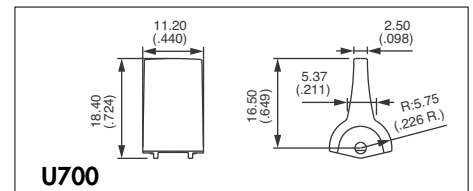
For 7700N - 7900N - 7900W - 7000WWX653 and 7000Y models



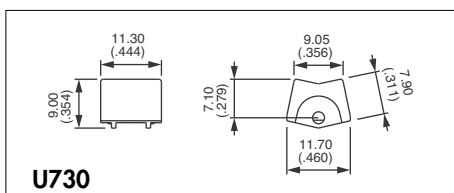
U610
Narrow paddle



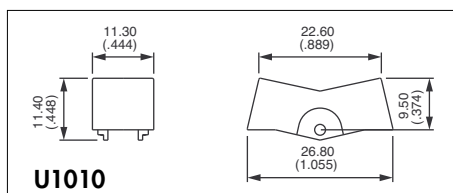
U620
Medium rocker



U700
Broad paddle



U730
Small rocker



U1010
Large rocker
For 7900W, available on DP only.

7000 series

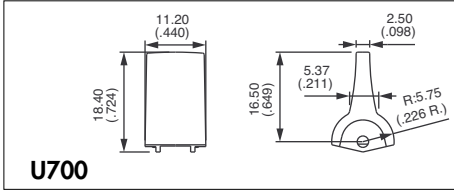
Rocker and paddle switches

OPTIONS



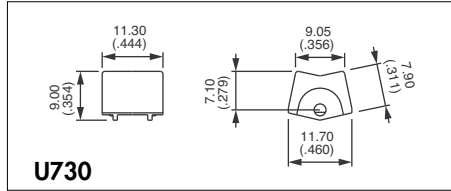
ACTUATORS (continued)

For 7000WW models



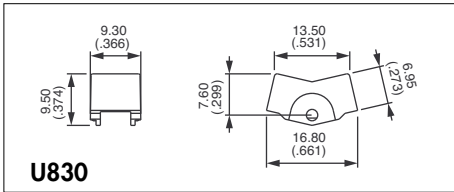
U700

Broad paddle



U730

Small rocker



U830

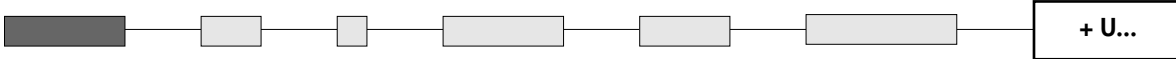
Medium rocker

Actuator colours

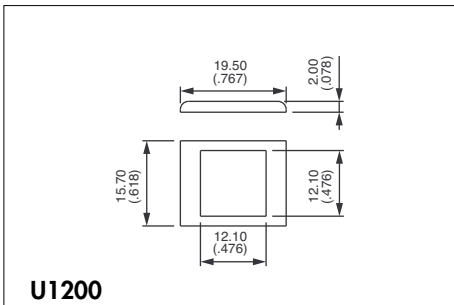
Replace last "0" by number

- 1 blue
- 1/4 dark blue
- 2 black
- 3 green
- 4 grey
- 5 yellow
- 6 red
- 7 ivory
- 7/1 white
- 9 orange

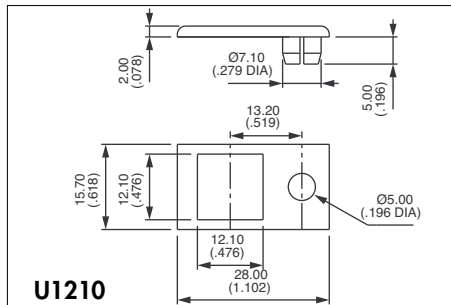
BEZELS - MOUNTING ACCESSORIES



Bezels for paddle U700 and rocker U730



U1200



U1210

For LED Ø 5 (.196) - not supplied

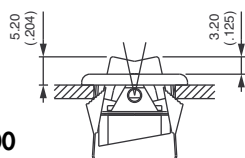
Bezel colours

Replace last "0" by number

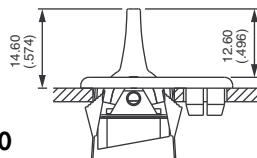
- 1 blue
- 1/4 dark blue
- 2 black
- 3 green
- 4 grey
- 5 yellow
- 6 red
- 7 ivory
- 7/1 white
- 9 orange

STANDARD PANEL MOUNTING

Panel thickness with bezel 1 to 2,5 mm (.039 to .098)

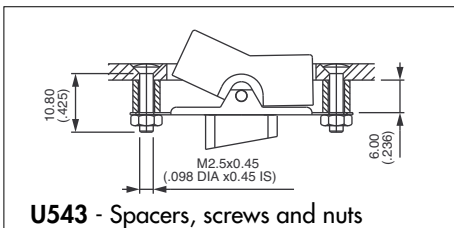


U730 + U1200



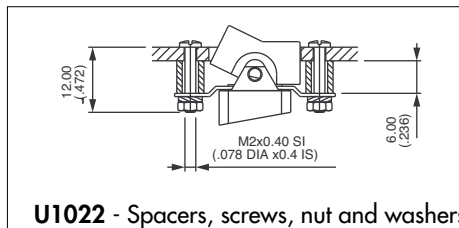
U700 + U1210

Mounting accessories



U543 - Spacers, screws and nuts

For rocker U530 or paddle U490



U1022 - Spacers, screws, nut and washers

For rockers U620 or U730
For paddles U610 or U700

D



Компания «ЭлектроПласт» предлагает заключение долгосрочных отношений при поставках импортных электронных компонентов на взаимовыгодных условиях!

Наши преимущества:

- Оперативные поставки широкого спектра электронных компонентов отечественного и импортного производства напрямую от производителей и с крупнейших мировых складов;
- Поставка более 17-ти миллионов наименований электронных компонентов;
- Поставка сложных, дефицитных, либо снятых с производства позиций;
- Оперативные сроки поставки под заказ (от 5 рабочих дней);
- Экспресс доставка в любую точку России;
- Техническая поддержка проекта, помощь в подборе аналогов, поставка прототипов;
- Система менеджмента качества сертифицирована по Международному стандарту ISO 9001;
- Лицензия ФСБ на осуществление работ с использованием сведений, составляющих государственную тайну;
- Поставка специализированных компонентов (Xilinx, Altera, Analog Devices, Intersil, Interpoint, Microsemi, Aeroflex, Peregrine, Syfer, Eurofarad, Texas Instrument, Miteq, Cobham, E2V, MA-COM, Hittite, Mini-Circuits, General Dynamics и др.);

Помимо этого, одним из направлений компании «ЭлектроПласт» является направление «Источники питания». Мы предлагаем Вам помощь Конструкторского отдела:

- Подбор оптимального решения, техническое обоснование при выборе компонента;
- Подбор аналогов;
- Консультации по применению компонента;
- Поставка образцов и прототипов;
- Техническая поддержка проекта;
- Защита от снятия компонента с производства.



Как с нами связаться

Телефон: 8 (812) 309 58 32 (многоканальный)

Факс: 8 (812) 320-02-42

Электронная почта: org@eplast1.ru

Адрес: 198099, г. Санкт-Петербург, ул. Калинина, дом 2, корпус 4, литера А.