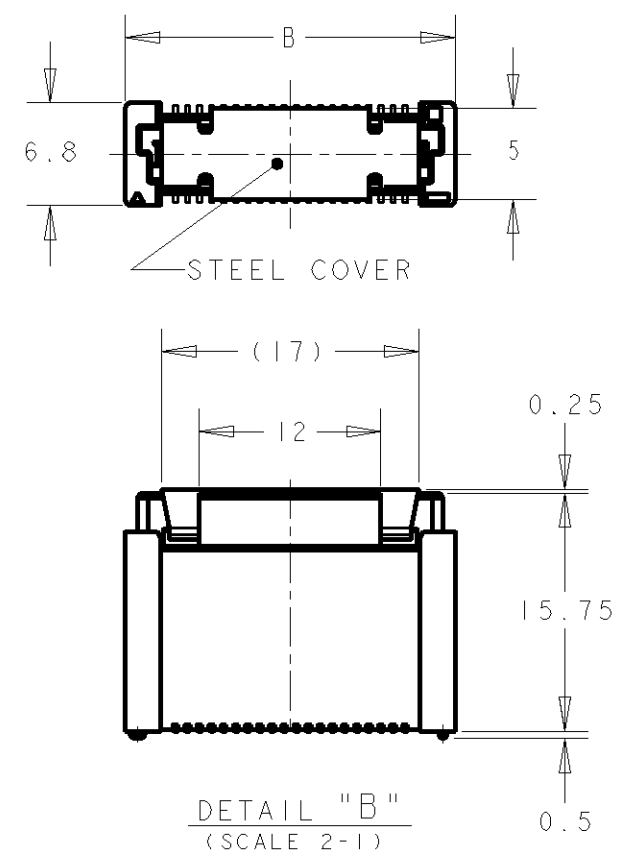
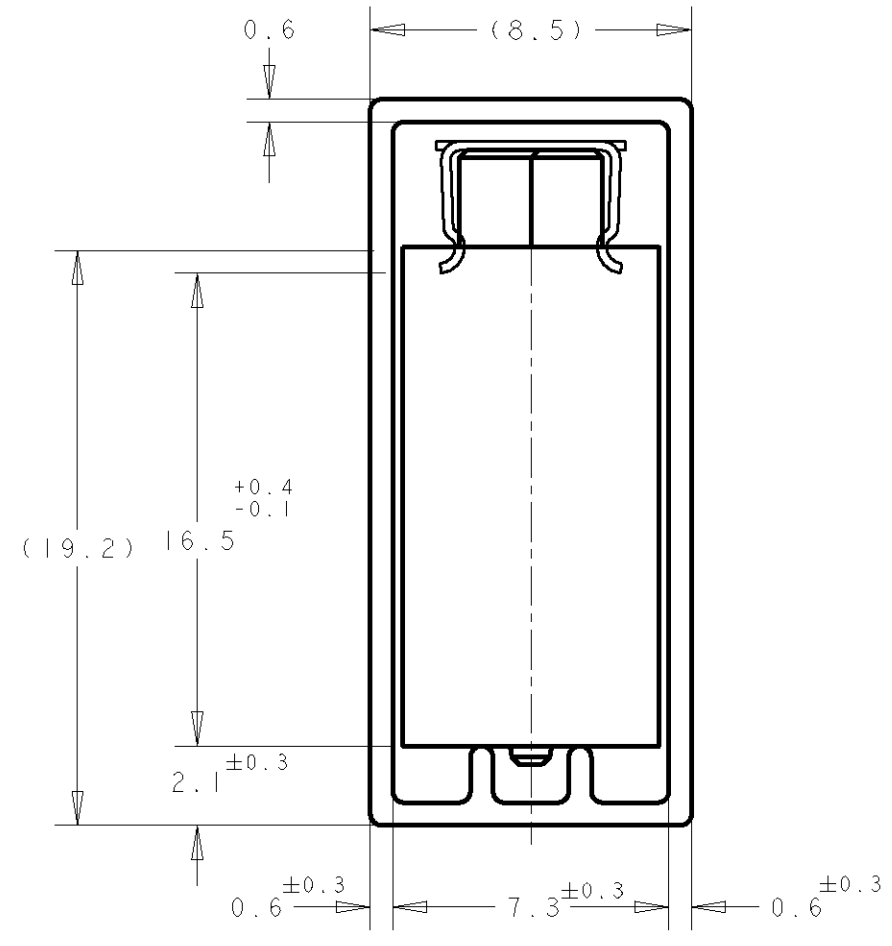
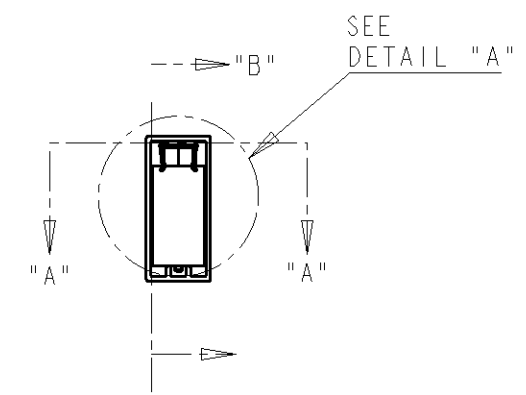
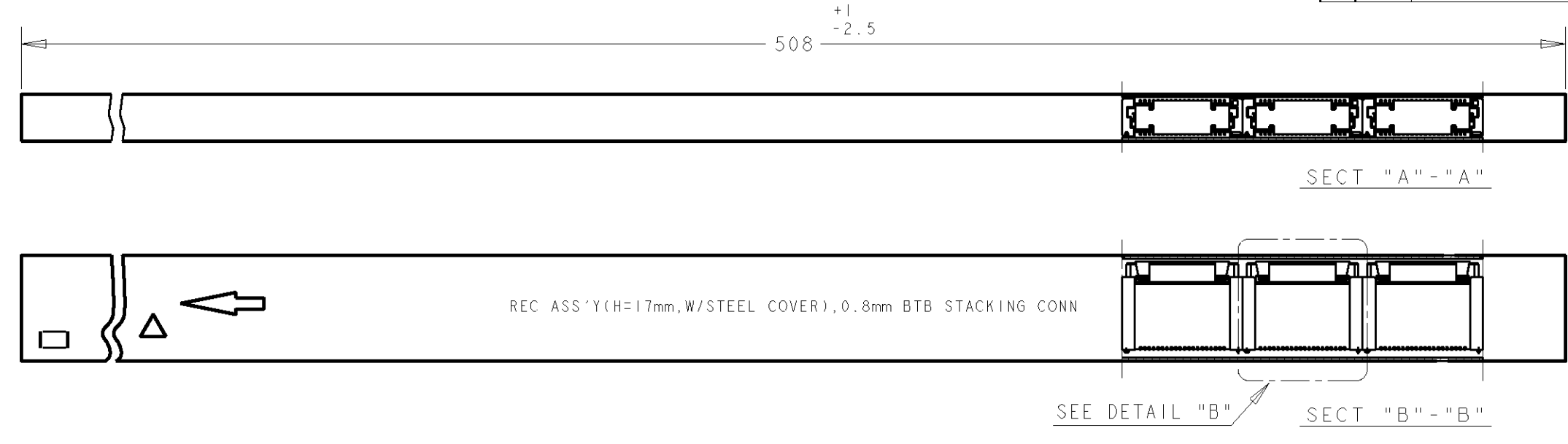


THIS DRAWING IS UNPUBLISHED. RELEASED FOR PUBLICATION .19 .
 © COPYRIGHT 19 BY AMP INCORPORATED. ALL RIGHTS RESERVED.

| LOC | DIST | REVISIONS | | | | | |
|-----|------|-----------|-----|-----------------------|---------|-----|------|
| DY | - | P | LTR | DESCRIPTION | DATE | DWN | APVD |
| | | A | | NPR PER ECR-07-016156 | 03SEP07 | SYJ | LSF |



- NOTES:
- MATERIALS:
HOUSING: L.C.P (HIGH TEMP THERMO-PLASTIC)
UL 94V-0, NATURAL.
CONTACT: COPPER ALLOY.
 - FINISH:
ENGAGEMENT AREA: 0.0002 MIN GOLD
SOLDERING AREA: 0.002 MIN MATTE TIN
UNDERCOAT: 0.0013 MIN NICKEL ALL OVER
 - FINISH:
ENGAGEMENT AREA: 0.00076 MIN GOLD
SOLDERING AREA: 0.002 MIN MATTE TIN
UNDERCOAT: 0.0013 MIN NICKEL ALL OVER
 - POSITION SERIES; SEE P/N TABLE ON SHEET 3.
 - CONNECTOR MATED STACKED HEIGHT IS COMBINATION OF PLUG HEIGHT "Y" AND REC HEIGHT "X", LESS 5 mm.
STACKED HEIGHT = Y + X - 5
 - THIS DRAWING 1735481 DESCRIBES CONNECTORS P/N X-1735480-X WITH STEEL COVER IN TUBE PACKAGING. CONNECTOR DIMENSIONS (ON SHEET 2) AND RECOMMENDED P.C. BOARD LAYOUT (ON SHEET 3) ARE REFERENCED FROM DRAWING NO. 1735480.

DETAIL "A"
(SCALE 5-1)

DETAIL "B"
(SCALE 2-1)

| | | | | | |
|---|---------------|--------------------------|------------------------------|---|--------------------|
| THIS DRAWING IS A CONTROLLED DOCUMENT FOR AMP INCORPORATED. IT IS SUBJECT TO CHANGE AND THE CONTROLLING ENGINEERING ORGANIZATION SHOULD BE CONTACTED FOR THE LATEST REVISION. | | DWN WYLEE | 10JUL07 | Tyco Electronics Corporation Singapore | |
| DIMENSIONS: mm | | CHK YJ SEE | APVD SF FONG | NAME RECEPTACLE 17mm HEIGHT FH 0.8mm PITCH B-T-B CONNECTOR WITH STEEL COVER, IN TUBE | |
| TOLERANCES UNLESS OTHERWISE SPECIFIED: 0 PLC ±. 1 PLC ±0.30 2 PLC ±0.25 3 PLC ±0.20 4 PLC ±. ANGLES ±3° | | PRODUCT SPEC 108-5390 | APPLICATION SPEC 114-5254 | SIZE A3 | CAGE CODE 00779 |
| MATERIAL 1 | FINISH 2 3 | WEIGHT - | DRAWING NO 1735481 | | |
| CUSTOMER DRAWING | | | SCALE 1:1 | SHEET 1 | OF 3 REV A |

4

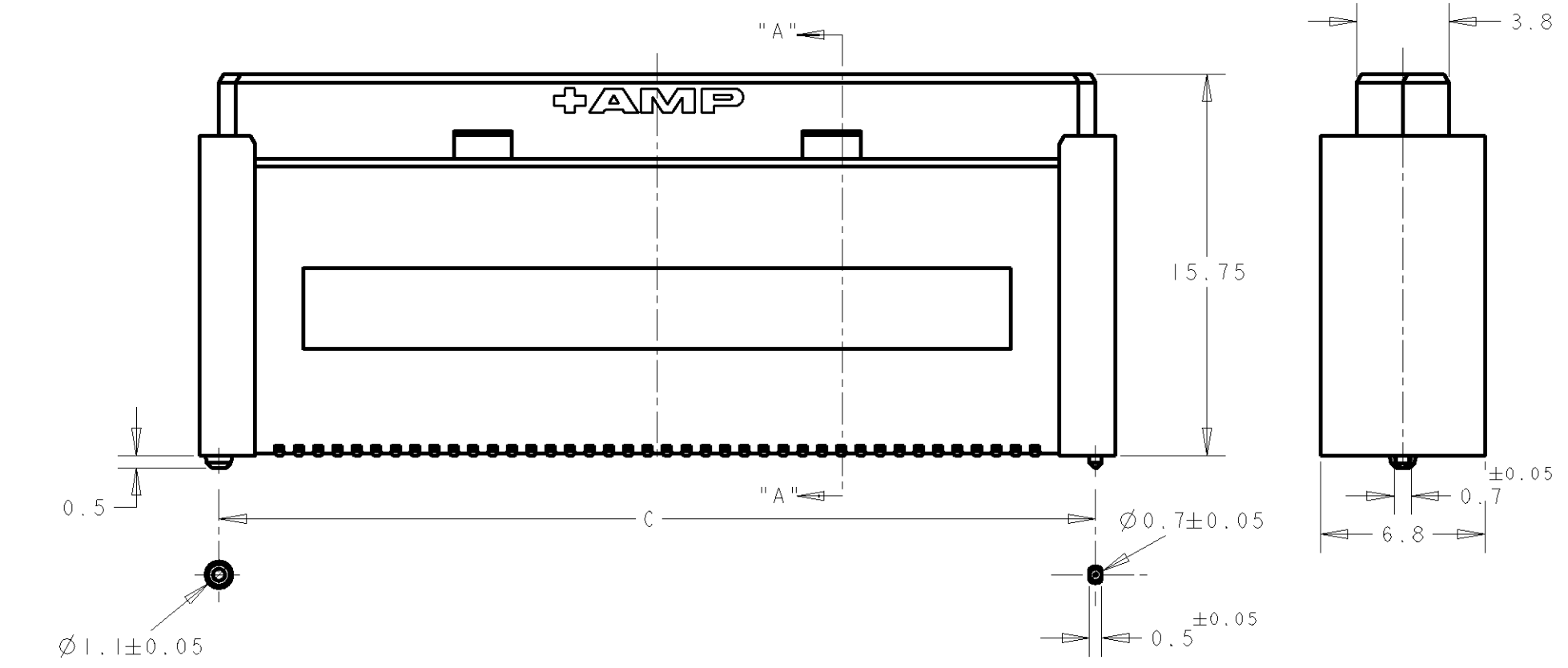
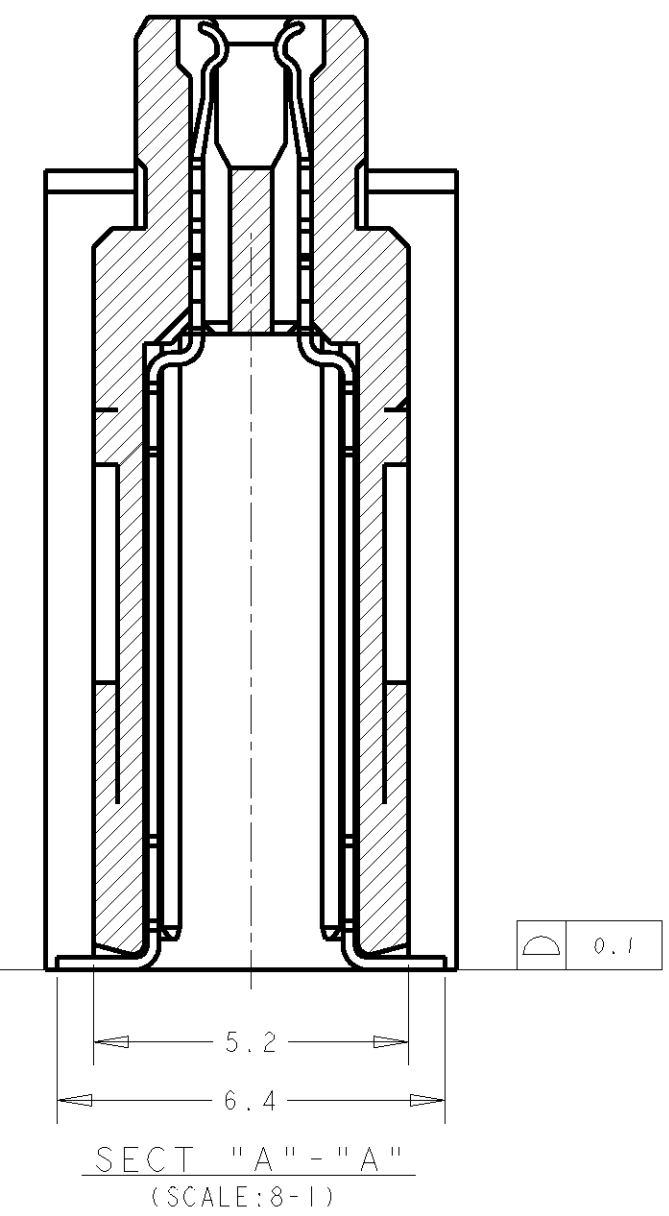
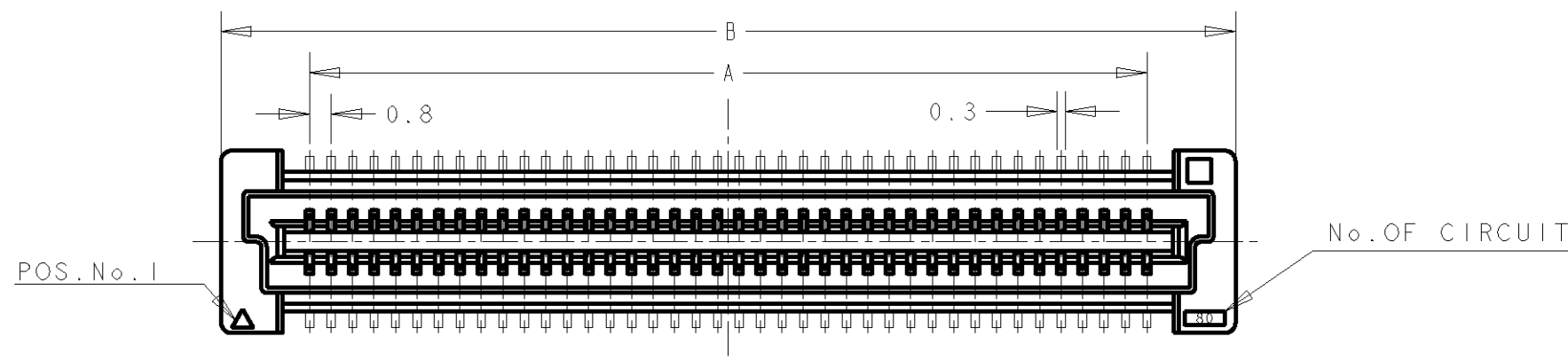
3

2

1

THIS DRAWING IS UNPUBLISHED. RELEASED FOR PUBLICATION .19
 © COPYRIGHT 19 BY AMP INCORPORATED. ALL RIGHTS RESERVED.

| LOC | DIST | REVISIONS | | | | | |
|-----|------|-----------|-----|-------------|------|-----|------|
| | | P | LTR | DESCRIPTION | DATE | DWN | APVD |
| DY | - | | | | | | |



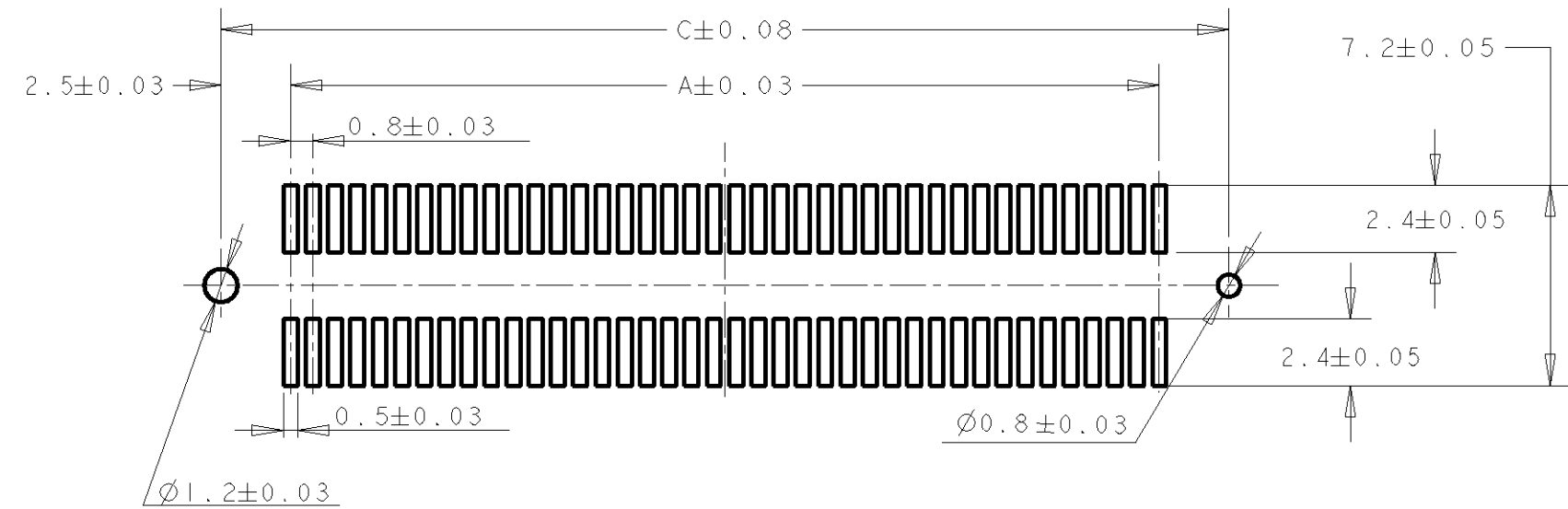
CONNECTOR DIMENSIONS REFERENCED FROM DRAWING NO. 1735480.

| | | | |
|--|---|---|--|
| <small>THIS DRAWING IS A CONTROLLED DOCUMENT FOR AMP INCORPORATED. IT IS SUBJECT TO CHANGE AND THE CONTROLLING ENGINEERING ORGANIZATION SHOULD BE CONTACTED FOR THE LATEST REVISION.</small> | | DWN 10JUL2007 WYLEE CHK YJ SEE APVD SF IFONG PRODUCT SPEC SEE SHEET 1 APPLICATION SPEC SEE SHEET 1 WEIGHT - CUSTOMER DRAWING | Tyco Electronics Tyco Electronics Corporation Singapore NAME RECEPTACLE 17mm HEIGHT FH 0.8mm PITCH B-T-B CONNECTOR WITH STEEL COVER, IN TUBE SIZE A3 CAGE CODE 00779 DRAWING NO. 1735481 SCALE 4:1 SHEET 2 OF 3 REV A |
| DIMENSIONS: mm | TOLERANCES UNLESS OTHERWISE SPECIFIED: 0 PLC ± 1 PLC ±0.30 2 PLC ±0.25 3 PLC ±0.20 4 PLC ± ANGLES ±3° | MATERIAL - FINISH - | |

PROJ NO. 593-312

THIS DRAWING IS UNPUBLISHED. RELEASED FOR PUBLICATION .19 .
 © COPYRIGHT 19 BY AMP INCORPORATED. ALL RIGHTS RESERVED.

| LOC | DIST | REVISIONS | | | | | |
|-----|------|-----------|-----|-------------|------|-----|------|
| | | P | LTR | DESCRIPTION | DATE | DWN | APVD |
| DY | - | | | | | | |



RECOMMENDED P.C. BOARD LAYOUT
 (REFERENCED FROM DRAWING NO. 1735480.)

| CONTACT FINISH | QTY/TUBE | C | B | A | CONN. P/N | POS. | PART NO. |
|-------------------|----------|-------|------|-------|-------------|------|-------------|
| 30 u"Au - Sn 3 | 5 | 84.20 | 85.8 | 79.20 | 8-1735480-0 | 200 | 3-1735481-0 |
| | 6 | 76.20 | 77.8 | 71.20 | 7-1735480-9 | 180 | 2-1735481-9 |
| | 6 | 68.20 | 69.8 | 63.20 | 7-1735480-8 | 160 | 2-1735481-8 |
| | 7 | 64.20 | 65.8 | 59.20 | 7-1735480-7 | 150 | 2-1735481-7 |
| | 7 | 60.20 | 61.8 | 55.20 | 7-1735480-6 | 140 | 2-1735481-6 |
| | 9 | 52.20 | 53.8 | 47.20 | 7-1735480-5 | 120 | 2-1735481-5 |
| | 10 | 44.20 | 45.8 | 39.20 | 7-1735480-4 | 100 | 2-1735481-4 |
| | 12 | 36.20 | 37.8 | 31.20 | 7-1735480-3 | 80 | 2-1735481-3 |
| | 16 | 28.20 | 29.8 | 23.20 | 7-1735480-2 | 60 | 2-1735481-2 |
| | 22 | 20.20 | 21.8 | 15.20 | 7-1735480-1 | 40 | 2-1735481-1 |
| 08 u"Au - Sn 2 | 5 | 84.20 | 85.8 | 79.20 | 6-1735480-0 | 200 | 1-1735481-0 |
| | 6 | 76.20 | 77.8 | 71.20 | 5-1735480-9 | 180 | 1735481-9 |
| | 6 | 68.20 | 69.8 | 63.20 | 5-1735480-8 | 160 | 1735481-8 |
| | 7 | 64.20 | 65.8 | 59.20 | 5-1735480-7 | 150 | 1735481-7 |
| | 7 | 60.20 | 61.8 | 55.20 | 5-1735480-6 | 140 | 1735481-6 |
| | 9 | 52.20 | 53.8 | 47.20 | 5-1735480-5 | 120 | 1735481-5 |
| | 10 | 44.20 | 45.8 | 39.20 | 5-1735480-4 | 100 | 1735481-4 |
| | 12 | 36.20 | 37.8 | 31.20 | 5-1735480-3 | 80 | 1735481-3 |
| | 16 | 28.20 | 29.8 | 23.20 | 5-1735480-2 | 60 | 1735481-2 |
| | 22 | 20.20 | 21.8 | 15.20 | 5-1735480-1 | 40 | 1735481-1 |

| | | | |
|--|---|--|--|
| <small>THIS DRAWING IS A CONTROLLED DOCUMENT FOR AMP INCORPORATED. IT IS SUBJECT TO CHANGE AND THE CONTROLLING ENGINEERING ORGANIZATION SHOULD BE CONTACTED FOR THE LATEST REVISION.</small> | | DWN 10JUL2007 WYLEE CHK YJ SEE APVD SF J FONG PRODUCT SPEC SEE SHEET 1 APPLICATION SPEC SEE SHEET 1 WEIGHT - | Tyco Electronics Tyco Electronics Corporation Singapore NAME RECEPTACLE 17mm HEIGHT FH 0.8mm PITCH B-T-B CONNECTOR WITH STEEL COVER, IN TUBE SIZE A3 CAGE CODE 00779 DRAWING NO. C-1735481 |
| DIMENSIONS: mm | TOLERANCES UNLESS OTHERWISE SPECIFIED: 0 PLC ± 1 PLC ±0.30 2 PLC ±0.25 3 PLC ±0.20 4 PLC ± ANGLES ±3° | MATERIAL - FINISH - CUSTOMER DRAWING | SCALE 4:1 SHEET 3 OF 3 REV A |



Компания «ЭлектроПласт» предлагает заключение долгосрочных отношений при поставках импортных электронных компонентов на взаимовыгодных условиях!

Наши преимущества:

- Оперативные поставки широкого спектра электронных компонентов отечественного и импортного производства напрямую от производителей и с крупнейших мировых складов;
- Поставка более 17-ти миллионов наименований электронных компонентов;
- Поставка сложных, дефицитных, либо снятых с производства позиций;
- Оперативные сроки поставки под заказ (от 5 рабочих дней);
- Экспресс доставка в любую точку России;
- Техническая поддержка проекта, помощь в подборе аналогов, поставка прототипов;
- Система менеджмента качества сертифицирована по Международному стандарту ISO 9001;
- Лицензия ФСБ на осуществление работ с использованием сведений, составляющих государственную тайну;
- Поставка специализированных компонентов (Xilinx, Altera, Analog Devices, Intersil, Interpoint, Microsemi, Aeroflex, Peregrine, Syfer, Eurofarad, Texas Instrument, Miteq, Cobham, E2V, MA-COM, Hittite, Mini-Circuits, General Dynamics и др.);

Помимо этого, одним из направлений компании «ЭлектроПласт» является направление «Источники питания». Мы предлагаем Вам помощь Конструкторского отдела:

- Подбор оптимального решения, техническое обоснование при выборе компонента;
- Подбор аналогов;
- Консультации по применению компонента;
- Поставка образцов и прототипов;
- Техническая поддержка проекта;
- Защита от снятия компонента с производства.



Как с нами связаться

Телефон: 8 (812) 309 58 32 (многоканальный)

Факс: 8 (812) 320-02-42

Электронная почта: org@eplast1.ru

Адрес: 198099, г. Санкт-Петербург, ул. Калинина, дом 2, корпус 4, литера А.