

NB2304A

3.3 V Zero Delay Clock Buffer

The NB2304A is a versatile, 3.3 V zero delay buffer designed to distribute high-speed clocks in PC, workstation, datacom, telecom and other high-performance applications. It is available in an 8 pin package. The part has an on-chip PLL which locks to an input clock presented on the REF pin. The PLL feedback is required to be driven to FBK pin, and can be obtained from one of the outputs. The input-to-output propagation delay is guaranteed to be less than 250 ps, and the output-to-output skew is guaranteed to be less than 200 ps.

The NB2304A has two Banks of two outputs each. Multiple NB2304A devices can accept the same input clock and distribute it. In this case, the skew between the outputs of the two devices is guaranteed to be less than 500 ps.

The NB2304A is available in two different configurations (Refer to NB2304A Configurations Table). The NB2304Ax1* is the base part, where the output frequencies equal the reference if there is no counter in the feedback path. The NB2304Ax1H is the high-drive version of the -1 and the rise and fall times on this device are much faster.

The NB2304Ax2 allows the user to obtain REF, 1/2 X and 2X frequencies on each output Bank. The exact configuration and output frequencies depend on which output drives the feedback pin.

Features

- Zero Input – Output Propagation Delay, Adjustable by Capacitive Load on FBK Input
- Multiple Configurations – Refer to NB2304A Configurations Table
- Input Frequency Range: 15 MHz to 133 MHz
- Multiple Low-Skew Outputs
- Output-Output Skew < 200 ps
- Device-Device Skew < 500 ps
- Two Banks of Four Outputs
- Less than 200 ps Cycle-to-Cycle Jitter (-1, -1H, -5H)
- Available in Space Saving, 8 pin 150 mil SOIC Package
- 3.3 V Operation
- Advanced 0.35 μ CMOS Technology
- Industrial Temperature Available
- These are Pb-Free Devices

*x = C for Commercial; I for Industrial.



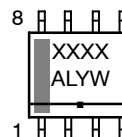
ON Semiconductor®

<http://onsemi.com>

MARKING DIAGRAM*



SOIC-8
D SUFFIX
CASE 751



XXXX = Device Code
A = Assembly Location
L = Wafer Lot
Y = Year
W = Work Week
▪ = Pb-Free Package

*For additional marking information, refer to Application Note AND8002/D.

ORDERING INFORMATION

See detailed ordering and shipping information in the package dimensions section on page 9 of this data sheet.

NB2304A

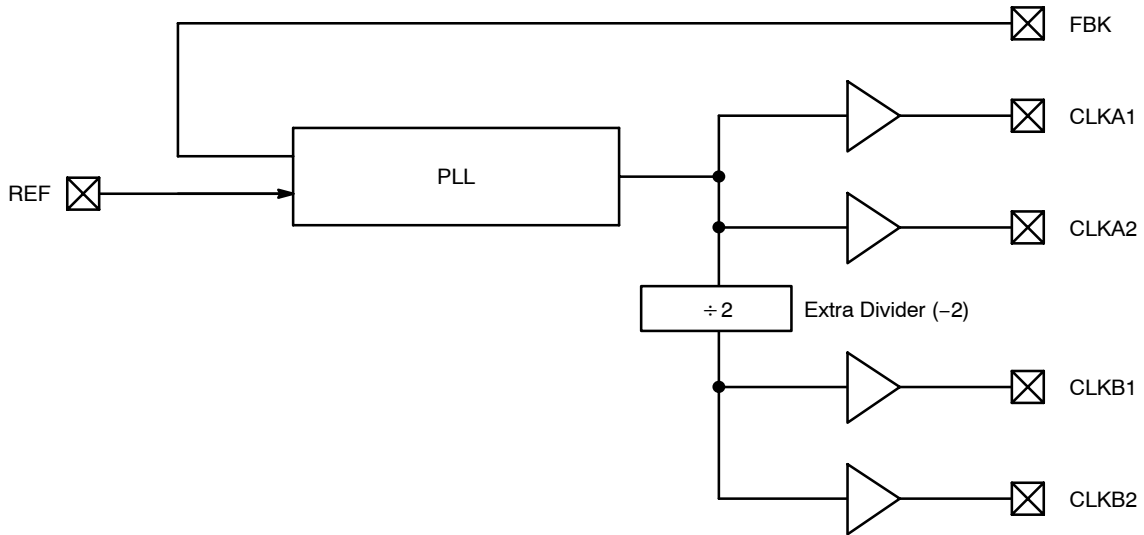


Figure 1. Basic Block Diagram
(see Figures 11 and 12 for device specific Block Diagrams)

Table 1. CONFIGURATIONS (x = C for Commercial; I for Industrial)

| Device | Feedback From | Bank A Frequency | Bank B Frequency |
|------------|------------------|------------------|------------------|
| NB2304Ax1 | Bank A or Bank B | Reference | Reference |
| NB2304Ax1H | Bank A or Bank B | Reference | Reference |
| NB2304Ax2 | Bank A | Reference | Reference ÷ 2 |
| NB2304Ax2 | Bank B | 2 X Reference | Reference |

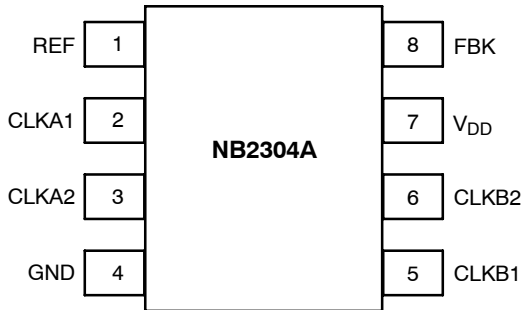


Figure 2. Pin Configuration

Table 2. PIN DESCRIPTION

| Pin # | Pin Name | Description |
|-------|-----------------|--|
| 1 | REF (Note 1) | Input reference frequency, 5 V tolerant input. |
| 2 | CLKA1 (Note 2) | Buffered clock output, Bank A. |
| 3 | CLKA2 (Note 2) | Buffered clock output, Bank A. |
| 4 | GND | Ground. |
| 5 | CLKB1 (Note 2) | Buffered clock output, Bank B. |
| 6 | CLKB2 (Note 2) | Buffered clock output, Bank B. |
| 7 | V _{DD} | 3.3 V supply. |
| 8 | FBK | PLL feedback input. |

1. Weak pulldown.
2. Weak pulldown on all outputs.

NB2304A

Table 3. MAXIMUM RATINGS

| Parameter | Min | Max | Unit |
|---|------|----------------|------|
| Supply Voltage to Ground Potential | -0.5 | +7.0 | V |
| DC Input Voltage (Except REF) | -0.5 | $V_{DD} + 0.5$ | V |
| DC Input Voltage (REF) | -0.5 | 7 | V |
| Storage Temperature | -65 | +150 | °C |
| Maximum Soldering Temperature (10 sec) | | 260 | °C |
| Junction Temperature | | 150 | °C |
| Static Discharge Voltage (per MIL-STD-883, Method 3015) | | > 2000 | V |

Maximum ratings are those values beyond which device damage can occur. Maximum ratings applied to the device are individual stress limit values (not normal operating conditions) and are not valid simultaneously. If these limits are exceeded, device functional operation is not implied, damage may occur and reliability may be affected.

Table 4. OPERATING CONDITIONS FOR COMMERCIAL AND INDUSTRIAL TEMPERATURE DEVICES

| Parameter | Description | Min | Max | Unit |
|-----------|---|--------------------------|---------------|------|
| V_{DD} | Supply Voltage | 3.0 | 3.6 | V |
| T_A | Operating Temperature (Ambient Temperature) | Commercial Industrial | 0 70 85 | °C |
| C_L | Load Capacitance, 15 MHz to 100 MHz | | 30 | pF |
| C_L | Load Capacitance, from 100 MHz to 133 MHz | | 15 | pF |
| C_{IN} | Input Capacitance (Note 3) | | 7 | pF |

3. Applies to both REF Clock and FBK.

Table 5. ELECTRICAL CHARACTERISTICS FOR COMMERCIAL TEMPERATURE DEVICES

| Parameter | Description | Test Conditions | Min | Max | Unit |
|-----------|---------------------|--|-----|-------|---------------|
| V_{IL} | Input LOW Voltage | | | 0.8 | V |
| V_{IH} | Input HIGH Voltage | | 2.0 | | V |
| I_{IL} | Input LOW Current | $V_{IN} = 0\text{ V}$ | | 50.0 | μA |
| I_{IH} | Input HIGH Current | $V_{IN} = V_{DD}$ | | 100.0 | μA |
| V_{OL} | Output LOW Voltage | $I_{OL} = 8\text{ mA} (-1, -2)$ $I_{OL} = 12\text{ mA} (-1H)$ | | 0.4 | V |
| V_{OH} | Output HIGH Voltage | $I_{OH} = -8\text{ mA} (-1, -2)$ $I_{OH} = -12\text{ mA} (-1H)$ | 2.4 | | V |
| I_{DD} | Supply Current | Unloaded outputs 100 MHz REF Select inputs at V_{DD} or GND | | 45 | mA |
| | | Unloaded outputs, 66 MHz REF (-1, -2) | | 32 | |
| | | Unloaded outputs, 33 MHz REF (-1, -2) | | 18 | |

NB2304A

Table 6. SWITCHING CHARACTERISTICS FOR COMMERCIAL TEMPERATURE DEVICES

| Parameter | Description | Test Conditions | Min | Typ | Max | Unit |
|-------------------|--|--|------|------|-------|------|
| t ₁ | Output Frequency | 30 pF load (all devices) | 15 | | 133 | MHz |
| | | 15 pF load (-1, -2) | 15 | | 133.3 | |
| | Duty Cycle = (t ₂ / t ₁) * 100 (all devices) | Measured at 1.4 V, F _{OUT} = 66.66 MHz 30 pF load | 40.0 | 50.0 | 60.0 | % |
| | Measured at 1.4 V, F _{OUT} ≤ 50 MHz 15 pF load | 45.0 | 50.0 | 55.0 | | |
| t ₃ | Output Rise Time (-1, -2) | Measured between 0.8 V and 2.0 V 30 pF load | | | 2.20 | ns |
| | | Measured between 0.8 V and 2.0 V 15 pF load | | | 1.50 | |
| | Output Rise Time (-1H) | Measured between 0.8 V and 2.0 V 30 pF load | | | 1.50 | |
| t ₄ | Output Fall Time (-1, -2) | Measured between 2.0 V and 0.8 V 30 pF load | | | 2.20 | ns |
| | | Measured between 2.0 V and 0.8 V 15 pF load | | | 1.50 | |
| | Output Fall Time (-1H) | Measured between 2.0 V and 0.8 V 30 pF load | | | 1.25 | |
| t ₅ | Output-to-Output Skew on same Bank (-1, -2) | All outputs equally loaded | | | 200 | ps |
| | Output-to-Output Skew (-1H) | All outputs equally loaded | | | 200 | |
| | Output Bank A-to-Output Bank B Skew (-1) | All outputs equally loaded | | | 200 | |
| | Output Bank A-to-Output Bank B Skew (-2) | All outputs equally loaded | | | 400 | |
| t ₆ | Delay, REF Rising Edge to FBK Rising Edge | Measured at V _{DD} /2 | | 0 | ±250 | ps |
| t ₇ | Device-to-Device Skew | Measured at V _{DD} /2 on the FBK pins of the device | | 0 | 500 | ps |
| t ₈ | Output Slew Rate | Measured between 0.8 V and 2.0 V using Test Circuit #2 | 1 | | | V/ns |
| t _J | Cycle-to-Cycle Jitter (-1, -1H) | Measured at 66.67 MHz, loaded outputs, 15 pF load | | | 175 | ps |
| | | Measured at 66.67 MHz, loaded outputs, 30 pF load | | | 200 | |
| | | Measured at 133.3 MHz, loaded outputs, 15 pF load | | | 100 | |
| | Cycle-to-Cycle Jitter (-2) | Measured at 66.67 MHz, loaded outputs, 30 pF load | | | 400 | ps |
| | | Measured at 66.67 MHz, loaded outputs, 15 pF load | | | 375 | |
| t _{LOCK} | PLL Lock Time | Stable power supply, valid clock presented on REF and FBK pins | | | 1.0 | ms |

NB2304A

Table 7. ELECTRICAL CHARACTERISTICS FOR INDUSTRIAL TEMPERATURE DEVICES

| Parameter | Description | Test Conditions | Min | Max | Unit |
|-----------------|---------------------|---|-----|-------|------|
| V _{IL} | Input LOW Voltage | | | 0.8 | V |
| V _{IH} | Input HIGH Voltage | | 2.0 | | V |
| I _{IL} | Input LOW Current | V _{IN} = 0 V | | 50.0 | μA |
| I _{IH} | Input HIGH Current | V _{IN} = V _{DD} | | 100.0 | μA |
| V _{OL} | Output LOW Voltage | I _{OL} = 8 mA (-1, -2) I _{OL} = 12 mA (-1H) | | 0.4 | V |
| V _{OH} | Output HIGH Voltage | I _{OH} = -8 mA (-1, -2) I _{OH} = -12 mA (-1H) | 2.4 | | V |
| I _{DD} | Supply Current | Unloaded outputs 100 MHz REF Select inputs at V _{DD} or GND | | 45 | mA |
| | | Unloaded outputs, 66 MHz REF (-1, -2) | | 35 | |
| | | Unloaded outputs, 33 MHz REF (-1, -2) | | 20 | |

NB2304A

Table 8. SWITCHING CHARACTERISTICS FOR INDUSTRIAL TEMPERATURE DEVICES

(All parameters are specified with loaded outputs)

| Parameter | Description | Test Conditions | Min | Typ | Max | Unit |
|-------------------|--|--|----------|------|--------------|------|
| t ₁ | Output Frequency | 30 pF load (all devices) 15 pF load (-1, -2) | 15 15 | | 100 133.3 | MHz |
| t ₁ | Duty Cycle = (t ₂ / t ₁) * 100 (all devices) | Measured at 1.4 V, F _{OUT} ≤ 66.66 MHz 30 pF load | 40.0 | 50.0 | 60.0 | % |
| | | Measured at 1.4 V, F _{OUT} ≤ 50 MHz 15 pF load | 45.0 | 50.0 | 55.0 | |
| t ₃ | Output Rise Time (-1, -2) | Measured between 0.8 V and 2.0 V 30 pF load | | | 2.50 | ns |
| | | Measured between 0.8 V and 2.0 V 15 pF load | | | 1.50 | |
| | Output Rise Time (-1H) | Measured between 0.8 V and 2.0 V 30 pF load | | | 1.50 | |
| t ₄ | Output Fall Time (-1, -2) | Measured between 2.0 V and 0.8 V 30 pF load | | | 2.50 | ns |
| | | Measured between 2.0 V and 0.8 V 15 pF load | | | 1.50 | |
| | Output Fall Time (-1H) | Measured between 2.0 V and 0.8 V 30 pF load | | | 1.25 | |
| t ₅ | Output-to-Output Skew on same Bank (-1, -2) | All outputs equally loaded | | | 200 | ps |
| | Output-to-Output Skew (-1H) | All outputs equally loaded | | | 200 | |
| | Output Bank A-to-Output Bank B skew (-1) | All outputs equally loaded | | | 200 | |
| | Output Bank A-to-Output Bank B skew (-2) | All outputs equally loaded | | | 400 | |
| t ₆ | Delay, REF Rising Edge to FBK Rising Edge | Measured at V _{DD} /2 | | 0 | ±250 | ps |
| t ₇ | Device-to-Device Skew | Measured at V _{DD} /2 on the FBK pins of the device | | 0 | 500 | ps |
| t ₈ | Output Slew Rate | Measured between 0.8 V and 2.0 V using Test Circuit #2 | 1 | | | V/ns |
| t _J | Cycle-to-Cycle Jitter (-1, -1H) | Measured at 66.67 MHz, loaded outputs, 15 pF load | | | 180 | ps |
| | | Measured at 66.67 MHz, loaded outputs, 30 pF load | | | 200 | |
| | | Measured at 133.3 MHz, loaded outputs, 15 pF load | | | 100 | |
| | Cycle-to-Cycle Jitter (-2) | Measured at 66.67 MHz, loaded outputs, 30 pF load | | | 400 | ps |
| | | Measured at 66.67 MHz, loaded outputs, 15 pF load | | | 380 | |
| t _{LOCK} | PLL Lock Time | Stable power supply, valid clock presented on REF and FBK pins | | | 1.0 | ms |

Zero Delay and Skew Control

For applications requiring zero input-output delay, all outputs must be equally loaded.

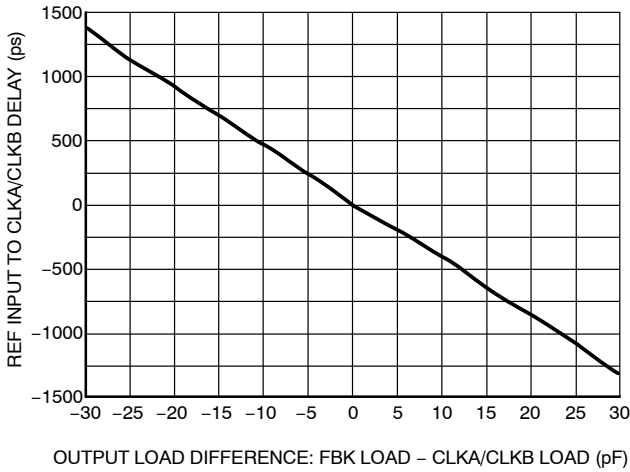


Figure 3. REF Input to CLKA/CLKB Delay vs. Difference in Loading between FBK Pin and CLKA/CLKB Pins

To close the feedback loop of the NB2304A, the FBK pin can be driven from any of the four available output pins. The output driving the FBK pin will be driving a total load of 7 pF plus any additional load that it drives. The relative loading of this output (with respect to the remaining outputs) can adjust the input output delay. This is shown in Figure 3.

For applications requiring zero input-output delay, all outputs including the one providing feedback should be equally loaded. If input-output delay adjustments are required, use Figure 3 to calculate loading differences between the feedback output and remaining outputs. For zero output-output skew, be sure to load outputs equally.

SWITCHING WAVEFORMS

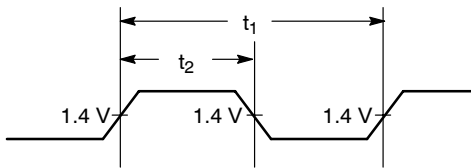


Figure 4. Duty Cycle Timing

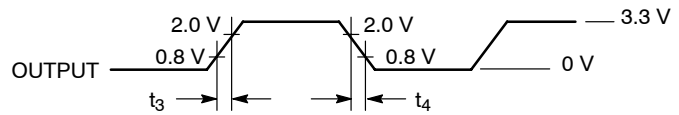


Figure 5. All Outputs Rise/Fall Time

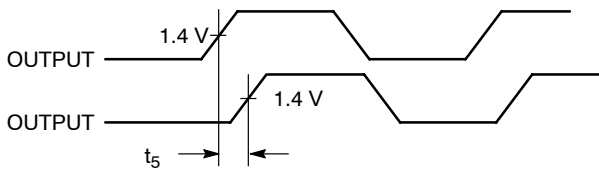


Figure 6. Output - Output Skew

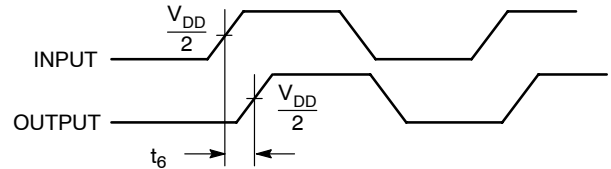


Figure 7. Input - Output Propagation Delay

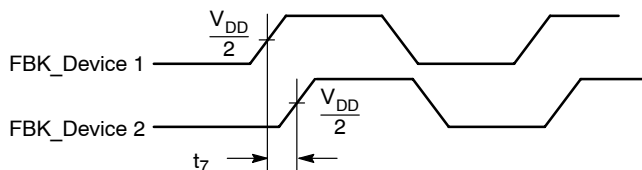


Figure 8. Device - Device Skew

NB2304A

TEST CIRCUITS

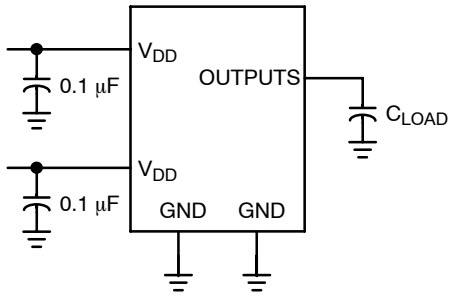


Figure 9. Test Circuit #1

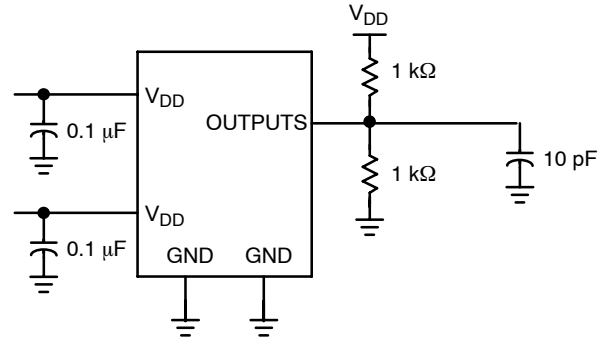


Figure 10. Test Circuit #2
For parameter t_b (output slew rate) on -1H devices

BLOCK DIAGRAMS

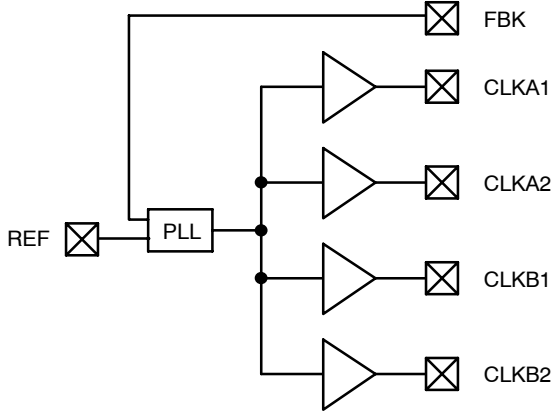


Figure 11. NB2304Ax1 and NB2304Ax1H

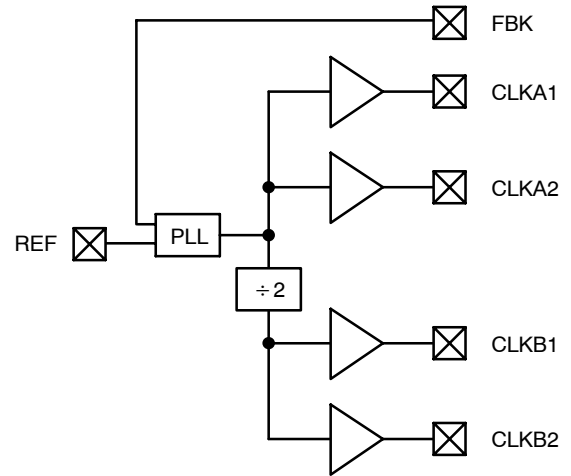


Figure 12. NB2304Ax2

NB2304A

ORDERING INFORMATION

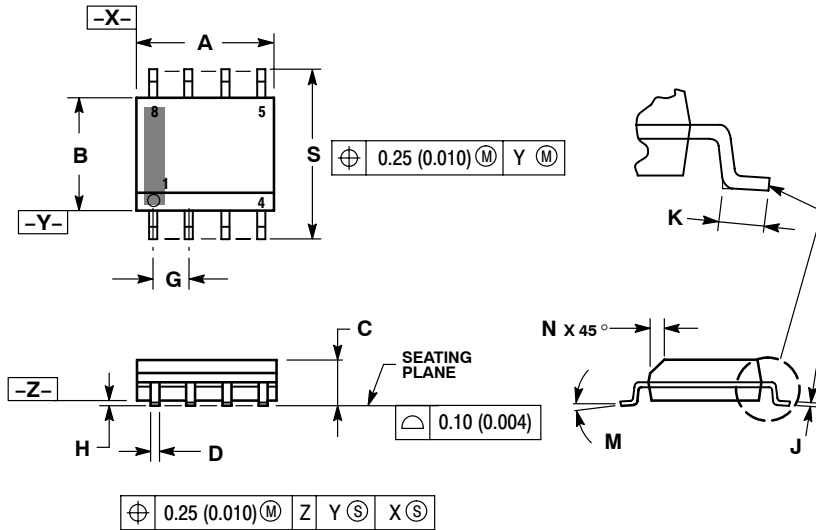
| Device | Marking | Operating Range | Package | Shipping† | Availability |
|----------------|---------|-----------------|---------------------|------------------|--------------|
| NB2304AC1DG | 4C1 | Commercial | SOIC-8 (Pb-Free) | 98 Units / Rail | <i>Now</i> |
| NB2304AC1DR2G | 4C1 | Commercial | SOIC-8 (Pb-Free) | 2500 Tape & Reel | <i>Now</i> |
| NB2304AI1DG | 4I1 | Industrial | SOIC-8 (Pb-Free) | 98 Units / Rail | <i>Now</i> |
| NB2304AI1DR2G | 4I1 | Industrial | SOIC-8 (Pb-Free) | 2500 Tape & Reel | <i>Now</i> |
| NB2304AC1HDG | 4C1H | Commercial | SOIC-8 (Pb-Free) | 98 Units / Rail | <i>Now</i> |
| NB2304AC1HDR2G | 4C1H | Commercial | SOIC-8 (Pb-Free) | 2500 Tape & Reel | <i>Now</i> |
| NB2304AI1HDG | 4I1H | Industrial | SOIC-8 (Pb-Free) | 98 Units / Rail | <i>Now</i> |
| NB2304AI1HDR2G | 4I1H | Industrial | SOIC-8 (Pb-Free) | 2500 Tape & Reel | <i>Now</i> |
| NB2304AC2DG | 4C2 | Commercial | SOIC-8 (Pb-Free) | 98 Units / Rail | <i>Now</i> |
| NB2304AC2DR2G | 4C2 | Commercial | SOIC-8 (Pb-Free) | 2500 Tape & Reel | <i>Now</i> |
| NB2304AI2DG | 4I2 | Industrial | SOIC-8 (Pb-Free) | 98 Units / Rail | <i>Now</i> |
| NB2304AI2DR2G | 4I2 | Industrial | SOIC-8 (Pb-Free) | 2500 Tape & Reel | <i>Now</i> |

†For information on tape and reel specifications, including part orientation and tape sizes, please refer to our Tape and Reel Packaging Specifications Brochure, BRD8011/D.

NB2304A

PACKAGE DIMENSIONS

SOIC-8 NB
CASE 751-07
ISSUE AG

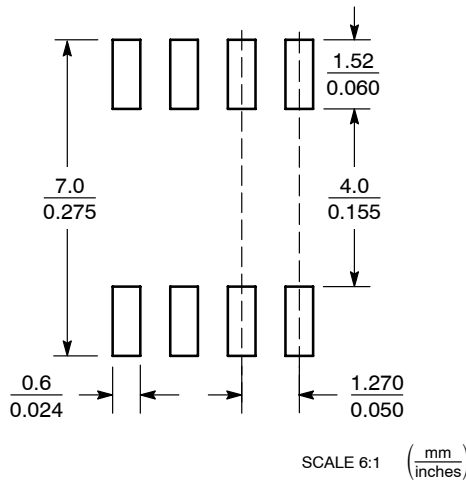


NOTES:

1. DIMENSIONING AND TOLERANCING PER ANSI Y14.5M, 1982.
2. CONTROLLING DIMENSION: MILLIMETER.
3. DIMENSION A AND B DO NOT INCLUDE MOLD PROTRUSION.
4. MAXIMUM MOLD PROTRUSION 0.15 (0.006) PER SIDE.
5. DIMENSION D DOES NOT INCLUDE DAMBAR PROTRUSION. ALLOWABLE DAMBAR PROTRUSION SHALL BE 0.127 (0.005) TOTAL IN EXCESS OF THE D DIMENSION AT MAXIMUM MATERIAL CONDITION.
6. 751-01 THRU 751-06 ARE OBSOLETE. NEW STANDARD IS 751-07.

| DIM | MILLIMETERS | | INCHES | |
|-----|-------------|------|-----------|-------|
| | MIN | MAX | MIN | MAX |
| A | 4.80 | 5.00 | 0.189 | 0.197 |
| B | 3.80 | 4.00 | 0.150 | 0.157 |
| C | 1.35 | 1.75 | 0.053 | 0.069 |
| D | 0.33 | 0.51 | 0.013 | 0.020 |
| G | 1.27 BSC | | 0.050 BSC | |
| H | 0.10 | 0.25 | 0.004 | 0.010 |
| J | 0.19 | 0.25 | 0.007 | 0.010 |
| K | 0.40 | 1.27 | 0.016 | 0.050 |
| M | 0° | 8° | 0° | 8° |
| N | 0.25 | 0.50 | 0.010 | 0.020 |
| S | 5.80 | 6.20 | 0.228 | 0.244 |

SOLDERING FOOTPRINT*



*For additional information on our Pb-Free strategy and soldering details, please download the ON Semiconductor Soldering and Mounting Techniques Reference Manual, SOLDERRM/D.

Licensed under US patent Nos 5,488,627, 6,646,463 and 5,631,920.

ON Semiconductor and are registered trademarks of Semiconductor Components Industries, LLC (SCILLC). SCILLC reserves the right to make changes without further notice to any products herein. SCILLC makes no warranty, representation or guarantee regarding the suitability of its products for any particular purpose, nor does SCILLC assume any liability arising out of the application or use of any product or circuit, and specifically disclaims any and all liability, including without limitation special, consequential or incidental damages. "Typical" parameters which may be provided in SCILLC data sheets and/or specifications can and do vary in different applications and actual performance may vary over time. All operating parameters, including "Typicals" must be validated for each customer application by customer's technical experts. SCILLC does not convey any license under its patent rights nor the rights of others. SCILLC products are not designed, intended, or authorized for use as components in systems intended for surgical implant into the body, or other applications intended to support or sustain life, or for any other application in which the failure of the SCILLC product could create a situation where personal injury or death may occur. Should Buyer purchase or use SCILLC products for any such unintended or unauthorized application, Buyer shall indemnify and hold SCILLC and its officers, employees, subsidiaries, affiliates, and distributors harmless against all claims, costs, damages, and expenses, and reasonable attorney fees arising out of, directly or indirectly, any claim of personal injury or death associated with such unintended or unauthorized use, even if such claim alleges that SCILLC was negligent regarding the design or manufacture of the part. SCILLC is an Equal Opportunity/Affirmative Action Employer. This literature is subject to all applicable copyright laws and is not for resale in any manner.

PUBLICATION ORDERING INFORMATION

LITERATURE FULFILLMENT:
Literature Distribution Center for ON Semiconductor
P.O. Box 5163, Denver, Colorado 80217 USA
Phone: 303-675-2175 or 800-344-3860 Toll Free USA/Canada
Fax: 303-675-2176 or 800-344-3867 Toll Free USA/Canada
Email: orderlit@onsemi.com

N. American Technical Support: 800-282-9855 Toll Free USA/Canada
Europe, Middle East and Africa Technical Support:
Phone: 421 33 790 2910
Japan Customer Focus Center
Phone: 81-3-5773-3850

ON Semiconductor Website: www.onsemi.com
Order Literature: <http://www.onsemi.com/orderlit>

For additional information, please contact your local Sales Representative



Компания «ЭлектроПласт» предлагает заключение долгосрочных отношений при поставках импортных электронных компонентов на взаимовыгодных условиях!

Наши преимущества:

- Оперативные поставки широкого спектра электронных компонентов отечественного и импортного производства напрямую от производителей и с крупнейших мировых складов;
- Поставка более 17-ти миллионов наименований электронных компонентов;
- Поставка сложных, дефицитных, либо снятых с производства позиций;
- Оперативные сроки поставки под заказ (от 5 рабочих дней);
- Экспресс доставка в любую точку России;
- Техническая поддержка проекта, помощь в подборе аналогов, поставка прототипов;
- Система менеджмента качества сертифицирована по Международному стандарту ISO 9001;
- Лицензия ФСБ на осуществление работ с использованием сведений, составляющих государственную тайну;
- Поставка специализированных компонентов (Xilinx, Altera, Analog Devices, Intersil, Interpoint, Microsemi, Aeroflex, Peregrine, Syfer, Eurofarad, Texas Instrument, Miteq, Cobham, E2V, MA-COM, Hittite, Mini-Circuits, General Dynamics и др.);

Помимо этого, одним из направлений компании «ЭлектроПласт» является направление «Источники питания». Мы предлагаем Вам помощь Конструкторского отдела:

- Подбор оптимального решения, техническое обоснование при выборе компонента;
- Подбор аналогов;
- Консультации по применению компонента;
- Поставка образцов и прототипов;
- Техническая поддержка проекта;
- Защита от снятия компонента с производства.



Как с нами связаться

Телефон: 8 (812) 309 58 32 (многоканальный)

Факс: 8 (812) 320-02-42

Электронная почта: org@eplast1.ru

Адрес: 198099, г. Санкт-Петербург, ул. Калинина, дом 2, корпус 4, литера А.