



Features

- Radial leaded devices
- Fast tripping resettable PTCs
- Binned and sorted narrow resistance ranges available
- RoHS compliant*
- Agency recognition:   

Applications

- Customer Premise Equipment (CPE)
- Central Office / Telecom Centers (CO)
- Access equipment

MF-RX/250 Series - Telecom PTC Resettable Fuses

Electrical Characteristics

| Model | Max. Operating Voltage (Vdc) | Max. Interrupt Ratings | | Hold Current | Initial Resistance | | One Hour Post-Trip Resistance |
|----------------|------------------------------|------------------------|----------|----------------|--------------------|---------------|-------------------------------|
| | | Volts (Vrms) | Amps (A) | | Amps at 23 °C | Ohms at 23 °C | |
| | | Max. | Max. | I _H | Min. | Max. | Max. |
| MF-RX012/250 | 60 | 250 | 3.0 | 0.12 | 4.0 | 8.0 | 16.0 |
| MF-RX012/250-A | 60 | 250 | 3.0 | 0.12 | 7.0 | 9.0 | 16.0 |
| MF-RX012/250-C | 60 | 250 | 3.0 | 0.12 | 5.5 | 7.5 | 14.0 |
| MF-RX012/250-F | 60 | 250 | 3.0 | 0.12 | 6.0 | 10.5 | 16.0 |
| MF-RX012/250-1 | 60 | 250 | 3.0 | 0.12 | 6.0 | 9.0 | 16.0 |
| MF-RX012/250-2 | 60 | 250 | 3.0 | 0.12 | 8.0 | 10.5 | 16.0 |
| MF-RX012/250-T | 60 | 250 | 3.0 | 0.12 | 7.0 | 12.0 | 16.0 |
| MF-RX012/250U | 60 | 250 | 3.0 | 0.12 | 6.0 | 10.0 | 16.0 |
| MF-RX014/250 | 60 | 250 | 3.0 | 0.145 | 3.0 | 6.0 | 14.0 |
| MF-RX014/250-A | 60 | 250 | 3.0 | 0.145 | 3.0 | 5.5 | 12.0 |
| MF-RX014/250-B | 60 | 250 | 3.0 | 0.145 | 4.5 | 6.0 | 14.0 |
| MF-RX014/250-T | 60 | 250 | 3.0 | 0.145 | 5.4 | 7.5 | 14.0 |
| MF-RX014/250U | 60 | 250 | 3.0 | 0.145 | 3.5 | 6.5 | 12.0 |
| MF-RX018/250 | 60 | 250 | 10.0 | 0.18 | 0.8 | 2.0 | 4.0 |
| MF-RX018/250U | 60 | 250 | 10.0 | 0.18 | 0.8 | 2.0 | 4.0 |

*"U" suffix indicates product without insulation coating.

Environmental Characteristics

| | | |
|--|--|---------------------------------|
| Operating/Storage Temperature..... | -40 °C to +85 °C | |
| Maximum Device Surface Temperature in Tripped State | 125 °C | |
| Passive Aging | +85 °C, 1000 hours..... ±15 % typical resistance change | |
| | +60°C, 1000 hours..... ±15 % typical resistance change | |
| Humidity Aging | +85 °C, 85 % R.H. 500 hours..... ±15 % typical resistance change | |
| Thermal Shock | MIL-STD-202F, Method 107G, | ±10 % typical resistance change |
| | +125 °C to -55 °C, 10 times | ±15 % typical resistance change |
| Solvent Resistance..... | MIL-STD-202, Method 215B | No change |
| Lead Solderability | ANSI/J-STD-002 | >95 % coverage |
| Flammability | IEC 695-2-2 | No Flame for 60 secs. |
| Vibration | MIL-STD-883C, Method 2007.1, Condition A | ±5 % typical resistance change |

Test Procedures And Requirements For Model MF-RX/250 Series

| Test | Test Conditions | Accept/Reject Criteria |
|-----------------------|--|---|
| Visual/Mech | Verify dimensions and materials | Per MF physical description |
| Resistance | In still air @ 23 °C..... | R _{min} ≤ R ≤ R _{max} |
| Time to Trip..... | 5 times I _{hold} , V _{max} , 23 °C | T ≤ max. time to trip (seconds) |
| Hold Current | 30 min. at I _{hold} | No trip |
| Trip Cycle Life | V _{max} , I _{max} , 100 cycles..... | No arcing or burning |
| Trip Endurance | V _{max} , 48 hours..... | No arcing or burning |
| UL File Number | E 174545S | |
| CSA File Number | CA 110338 | |
| TÜV File Number | R2057213 | |

*RoHS Directive 2002/95/EC Jan 27, 2003 including Annex.

Specifications are subject to change without notice.

Customers should verify actual device performance in their specific applications.

Additional Features

- Ability to withstand AC power cross conditions
- Assists equipment with meeting ITU-T K.20/K.21/K.45
- Assists equipment with meeting Telcordia GR-1089-C Intrabuilding

MF-RX/250 Series - Telecom PTC Resettable Fuses

BOURNS®

Thermal Derating Chart - I_{hold} (Amps)

| Model | Ambient Operating Temperature | | | | | | | | |
|--------------|-------------------------------|--------|-------|-------|-------|-------|-------|-------|-------|
| | -40 °C | -20 °C | 0 °C | 23 °C | 40 °C | 50 °C | 60 °C | 70 °C | 85 °C |
| MF-RX012/250 | 0.186 | 0.165 | 0.143 | 0.120 | 0.099 | 0.088 | 0.077 | 0.066 | 0.050 |
| MF-RX014/250 | 0.225 | 0.199 | 0.172 | 0.145 | 0.119 | 0.106 | 0.093 | 0.080 | 0.060 |
| MF-RX018/250 | 0.269 | 0.240 | 0.211 | 0.180 | 0.153 | 0.138 | 0.123 | 0.109 | 0.087 |

I_{trip} is approximately two times I_{hold} .

Product Dimensions

| Model | A Max. | B Max. | C Nom. | D Min. | E Max. | Physical Characteristics | | |
|---------------|-----------------|-----------------|------------------------------|----------------|----------------|--------------------------|-------|----------|
| | | | | | | Lead Dia. | Style | Material |
| MF-RX012/250 | 6.5 (0.256) | 11.0 (0.433) | 5.1 ± 0.7 (0.201 ± 0.028) | 4.7 (0.185) | 4.6 (0.181) | 0.65 (0.026) | 1 | Sn/Cu |
| MF-RX012/250U | 6.0 (0.236) | 10.0 (0.394) | 5.1 ± 0.7 (0.201 ± 0.028) | 4.7 (0.185) | 3.8 (0.150) | 0.65 (0.026) | 2 | Sn/Cu |
| MF-RX014/250 | 6.5 (0.256) | 11.0 (0.433) | 5.1 ± 0.7 (0.201 ± 0.028) | 4.7 (0.185) | 4.6 (0.181) | 0.65 (0.026) | 1 | Sn/Cu |
| MF-RX014/250U | 6.0 (0.236) | 10.0 (0.394) | 5.1 ± 0.7 (0.201 ± 0.028) | 4.7 (0.185) | 3.8 (0.150) | 0.65 (0.026) | 2 | Sn/Cu |
| MF-RX018/250 | 11.0 (0.433) | 13.6 (0.535) | 5.1 ± 0.7 (0.201 ± 0.028) | 4.7 (0.185) | 4.6 (0.181) | 0.65 (0.026) | 1 | Sn/Cu |
| MF-RX018/250U | 10.4 (0.409) | 12.6 (0.496) | 5.1 ± 0.7 (0.201 ± 0.028) | 4.7 (0.185) | 3.8 (0.150) | 0.65 (0.026) | 2 | Sn/Cu |

Packaging options: BULK: 500 pcs. per bag. TAPE & REEL: 1500 pcs. per reel (available binned).

DIMENSIONS: $\frac{MM}{(INCHES)}$

Style 1

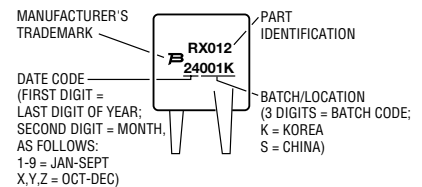


Style 2



Typical Part Marking

Represents total content. Layout may vary.



NOTE: UNCOATED PARTS HAVE NO PART MARKING. MARKING IS ON LABEL ONLY.

Specifications are subject to change without notice. Customers should verify actual device performance in their specific applications.

MF-RX/250 Series - Telecom PTC Resettable Fuses

BOURNS®

How to Order

MF - RX 012/250 U - A 5 - 2

Multifuse®
Product
Designator

Series

RX = Radial Leaded
Component

Hold Current, I_{hold}
008-018 (0.08-0.18 Amps)

Max. Interrupt Voltage, V
250 (250 Volts)

Telecom Options
U = Uncoated (radial parts only)

Resistance Sorted
Narrow resistance ranges - see
Resistance Options chart

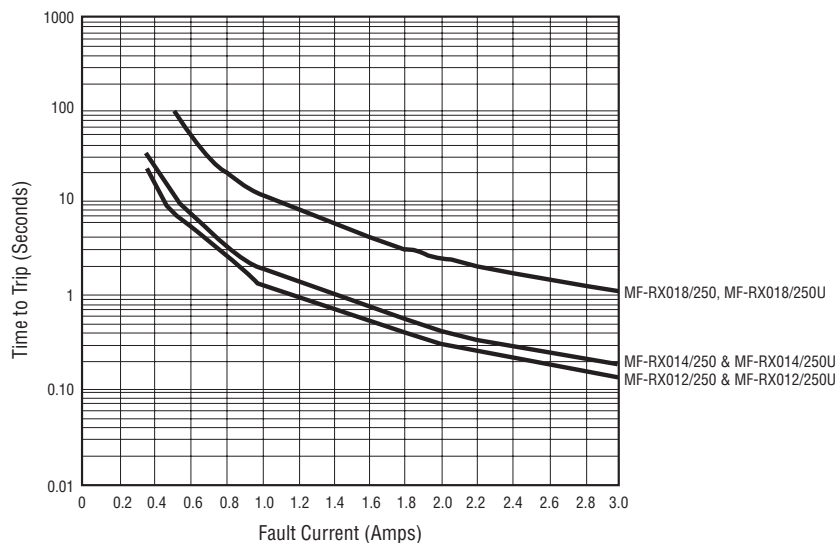
Resistance Bins of 0.5 ohms
05 = 0.5 ohm binned parts (epoxy coated)
5 = 0.5 ohm binned parts (uncoated)

Packaging Options

- 0 = Bulk Packaging
- 2 = Tape and Reel* (available with binned option)

*Packaged per EIA486-B

Typical Time to Trip at 23 °C



Resistance Options

| Model | Initial Resistance Values | | R1max | Bin |
|------------------|---------------------------|------|---------------|-----|
| | Ohms @ 23 ° C | | Ohms @ 23 ° C | |
| | Min. | Max. | Max. | |
| MF-RX012/250 | 4.0 | 8.0 | 16.0 | 0.5 |
| MF-RX012/250-A05 | 7.0 | 9.0 | 16.0 | 0.5 |
| MF-RX012/250-C05 | 5.5 | 7.5 | 14.0 | 0.5 |
| MF-RX012/250-F05 | 6.0 | 10.5 | 16.0 | 0.5 |
| MF-RX012/250-105 | 6.0 | 9.0 | 16.0 | 0.5 |
| MF-RX012/250-205 | 8.0 | 10.5 | 16.0 | 0.5 |
| MF-RX012/250-T05 | 7.0 | 12.0 | 16.0 | 0.5 |
| MF-RX012/250U | 6.0 | 10.0 | 16.0 | 0.5 |
| MF-RX014/250 | 3.0 | 6.0 | 14.0 | 0.5 |
| MF-RX014/250-A05 | 3.0 | 5.5 | 12.0 | 0.5 |
| MF-RX014/250-B05 | 4.5 | 6.0 | 14.0 | 0.5 |
| MF-RX014/250U | 3.5 | 6.5 | 12.0 | 0.5 |

MF-RX/250, REV. J, 05/11

Specifications are subject to change without notice.
Customers should verify actual device performance in their specific applications.

MF-R, MF-R/90, MF-R/600, MF-RX, MF-RX/72 & MF-RX/250 Series Tape and Reel Specifications

BOURNS®

Devices taped using EIA468-B/IEC286-2 standards. See table below and Figures 1 and 2 for details.

| Dimension Description | IEC Mark | EIA Mark | Dimensions | |
|--|------------|------------|------------------------|------------------------------------|
| | | | Dimensions | Tolerance |
| Carrier tape width | W | W | $\frac{18}{(.709)}$ | $\frac{-0.5/+1.0}{(-0.02/+0.039)}$ |
| Hold down tape width | W_0 | W_4 | $\frac{11}{(.433)}$ | min. |
| Hold down tape | | | No protrusion | |
| Top distance between tape edges | W_2 | W_6 | $\frac{3}{(.118)}$ | max. |
| Sprocket hole position | W_1 | W_5 | $\frac{9}{(.354)}$ | $\frac{-0.5/+0.75}{(-0.02/+0.03)}$ |
| Sprocket hole diameter | D_0 | D_0 | $\frac{4}{(.157)}$ | $\frac{\pm 0.2}{(\pm .0078)}$ |
| Abscissa to plane (straight lead) | H | H | $\frac{18.5}{(.728)}$ | $\frac{\pm 3.0}{(\pm .118)}$ |
| Abscissa to plane (kinked lead) | H_0 | H_0 | $\frac{16}{(.63)}$ | $\frac{\pm 0.5}{(\pm .02)}$ |
| Abscissa to top (straight lead) | H_1 | H_1 | $\frac{38.0}{(1.496)}$ | max. |
| Abscissa to top (kinked lead) | H_1 | H_1 | $\frac{32.2}{(1.268)}$ | max. |
| Overall width w/lead protrusion (straight lead) | | C_1 | $\frac{55.0}{(2.165)}$ | max. |
| Overall width w/lead protrusion (kinked lead) | | C_1 | $\frac{43.2}{(1.7)}$ | max. |
| Overall width w/o lead protrusion (straight lead) | | C_2 | $\frac{54.0}{(2.126)}$ | max. |
| Overall width w/o lead protrusion (kinked lead) | | C_2 | $\frac{42.5}{(1.673)}$ | max. |
| Lead protrusion | l_1 | L_1 | $\frac{1.0}{(.039)}$ | max. |
| Protrusion of cutout | L | L | $\frac{11}{(.433)}$ | max. |
| Protrusion beyond hold-down tape | l_2 | l_2 | Not specified | |
| Sprocket hole pitch | P_0 | P_0 | $\frac{12.7}{(0.5)}$ | $\frac{\pm 0.3}{(\pm .012)}$ |
| Pitch tolerance | | | 20 consecutive | $\frac{\pm 1}{(\pm .039)}$ |
| Device pitch: MF-R005–MF-R160, MF-R/90, MF-RX110/72–MF-RX185/72 | | | $\frac{12.7}{(0.5)}$ | $\frac{\pm 0.3}{(\pm .012)}$ |
| Device pitch: MF-R185–MF-R400, MF-RX110–MF-RX375 MF-R/600, MF-RX250/72–MF-RX375/72 | | | $\frac{25.4}{(1.0)}$ | $\frac{\pm 0.6}{(\pm .024)}$ |
| Tape thickness | t | t | $\frac{0.9}{(.035)}$ | max. |
| Tape thickness with splice: MF-R010–MF-R160, MF-RX110/72–MF-RX185/72 | | t_1 | $\frac{1.5}{(.059)}$ | max. |
| Tape thickness with splice: MF-R250–MF-R1100, MF-RX110–MF-RX375, MF-R/90, MF-RX250/72–MF-RX375/72 | | t_1 | $\frac{2.3}{(.091)}$ | max. |
| Splice sprocket hole alignment | | | 0 | $\frac{\pm 0.3}{(\pm .012)}$ |
| Body lateral deviation | Δ_h | Δ_h | 0 | $\frac{\pm 1.0}{(\pm .039)}$ |
| Body tape plane deviation | Δ_p | Δ_p | 0 | $\frac{\pm 1.3}{(\pm .051)}$ |

Specifications are subject to change without notice.
Customers should verify actual device performance in their specific applications.

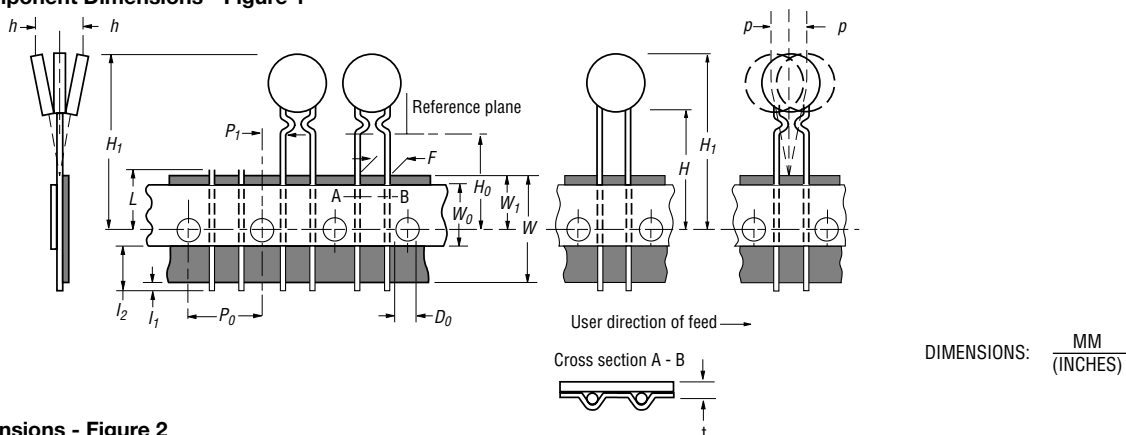
DIMENSIONS: $\frac{\text{MM}}{\text{(INCHES)}}$

MF-R, MF-R/90, MF-R/600, MF-RX, MF-RX/72 & MF-RX/250 Series Tape and Reel Specifications

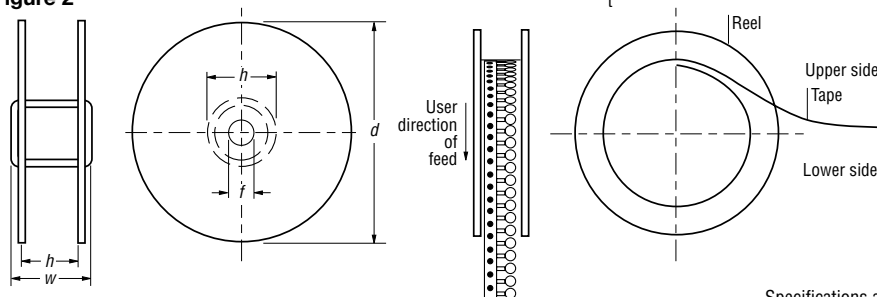


| Dimension Description | IEC Mark | EIA Mark | Dimensions | | | |
|--|----------------------|----------------------|------------------|------------------------------------|----------------|---------------|
| | | | Dimensions | Tolerance | | |
| Lead spacing: MF-R, MF-R/90, MF-R/600, MF-RX, MF-RX/72 | <i>F</i> | <i>F</i> | 5.08 (0.2) | ± 0.2 (± 0.008) | | |
| Lead spacing: MF-RX/250 | <i>F</i> | <i>F</i> | 5.08 (0.2) | $-0.5/+0.6$ ($-0.020/+0.024$) | | |
| Reel width | <i>w</i> | <i>W₂</i> | 56.0 (2.205) | max. | | |
| Reel diameter | <i>d</i> | <i>a</i> | 370.0 (14.57) | max. | | |
| Space between flanges less device | <i>W₁</i> | <i>h</i> | 4.75 (.187) | ± 3.25 ($\pm .128$) | | |
| Arbor hole diameter | <i>f</i> | <i>c</i> | 26.0 (1.024) | ± 12.0 ($\pm .472$) | | |
| Core diameter: MF-R, MF-RX, MF-R/90 | <i>h</i> | <i>n</i> | 80 (3.15) | max. | | |
| Core diameter: MF-RX/250, MF-R/600 | <i>h</i> | <i>n</i> | 91 (3.58) | max. | | |
| Box: MF-R, MF-RX, MF-R/90 | | | 56 (2.2) | 372 (14.6) | 372 (14.6) | max. |
| Box: MF-RX/250 | | | 67 (2.64) | 372 (14.6) | 362 (14.25) | max. |
| Box: MF-R/600 | | | 64 (2.52) | 372 (14.6) | 362 (14.25) | max. |
| Consecutive missing places: MF-R, MF-RX, MF-R/90 | | | 3 | | | max. |
| Consecutive missing places: MF-RX/250, MF-R/600 | | | none | | | |
| Empty places per reel: MF-R, MF-RX, MF-R/90 | | | | | | Not specified |
| Empty places per reel: MF-RX/250, MF-R/600 | | | | | | 0.1 % |

Taped Component Dimensions - Figure 1



Reel Dimensions - Figure 2



Specifications are subject to change without notice.
Customers should verify actual device performance in their specific applications.



Компания «ЭлектроПласт» предлагает заключение долгосрочных отношений при поставках импортных электронных компонентов на взаимовыгодных условиях!

Наши преимущества:

- Оперативные поставки широкого спектра электронных компонентов отечественного и импортного производства напрямую от производителей и с крупнейших мировых складов;
- Поставка более 17-ти миллионов наименований электронных компонентов;
- Поставка сложных, дефицитных, либо снятых с производства позиций;
- Оперативные сроки поставки под заказ (от 5 рабочих дней);
- Экспресс доставка в любую точку России;
- Техническая поддержка проекта, помощь в подборе аналогов, поставка прототипов;
- Система менеджмента качества сертифицирована по Международному стандарту ISO 9001;
- Лицензия ФСБ на осуществление работ с использованием сведений, составляющих государственную тайну;
- Поставка специализированных компонентов (Xilinx, Altera, Analog Devices, Intersil, Interpoint, Microsemi, Aeroflex, Peregrine, Syfer, Eurofarad, Texas Instrument, Miteq, Cobham, E2V, MA-COM, Hittite, Mini-Circuits, General Dynamics и др.);

Помимо этого, одним из направлений компании «ЭлектроПласт» является направление «Источники питания». Мы предлагаем Вам помощь Конструкторского отдела:

- Подбор оптимального решения, техническое обоснование при выборе компонента;
- Подбор аналогов;
- Консультации по применению компонента;
- Поставка образцов и прототипов;
- Техническая поддержка проекта;
- Защита от снятия компонента с производства.



Как с нами связаться

Телефон: 8 (812) 309 58 32 (многоканальный)

Факс: 8 (812) 320-02-42

Электронная почта: org@eplast1.ru

Адрес: 198099, г. Санкт-Петербург, ул. Калинина, дом 2, корпус 4, литера А.