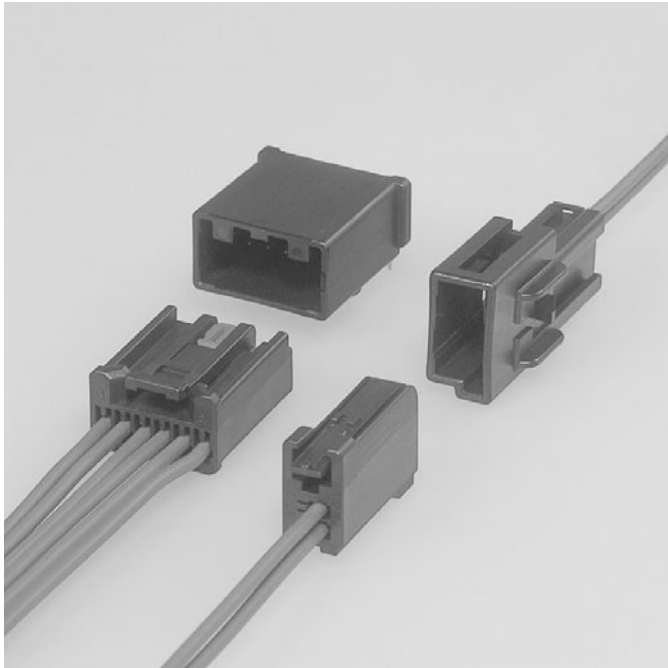


AIT-II CONNECTOR

Board-to-wire/Wire-to-wire



0.64 unsealed low-profile connector series for use in a wide range of automotive applications.

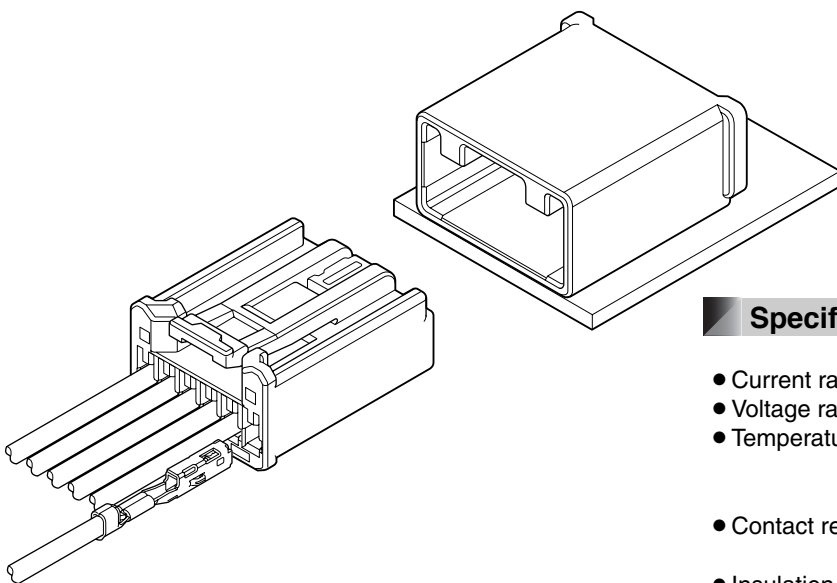
Features

● Ultra Low Profile Connector

Over 30% Height Reduction as compared to the Standard USCAR Footprints.

● Variations

There are multiple varieties of AIT-II Connectors which can satisfy your needs.

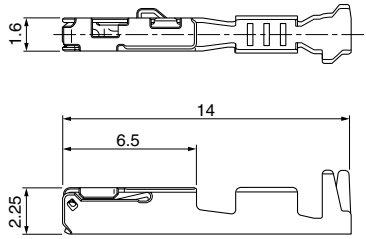


Specifications

- Current rating: 5A DC max.
- Voltage rating: 14V DC
- Temperature range: -40°C to +105°C
(including temperature rise in applying electrical current)
- Contact resistance: Initial value/15mΩ max.
After environmental testing/15mΩ max.
- Insulation resistance: 100MΩ min.
- Applicable wire: SAE/ AVSS/ CAVS/ FLRY
0.3mm² to 0.85mm²

- * Compliant with ELV/RoHS.
- * Contact JST for details.

Female terminal



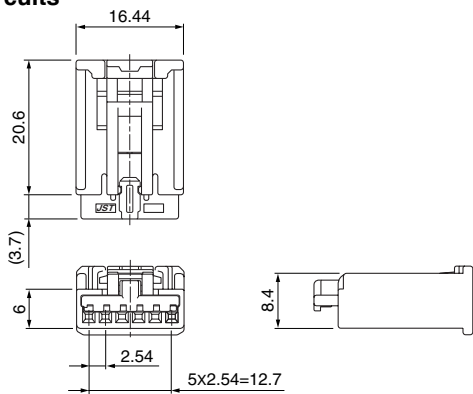
Model No.	Applicable wire range		Q'ty/reel
	Conductor (mm ²)	Insulation O.D. (mm)	
①SAIT-A03T-M064	0.3 to 0.5	≤1.9	6,500
①SAIT-A02T-M064	0.75 to 0.85	≤1.9	6,500
②SAIT-A03GF-M064	0.3 to 0.5	≤1.9	6,500
②SAIT-A02GF-M064	0.75 to 0.85	≤1.9	6,500

Material and Finish

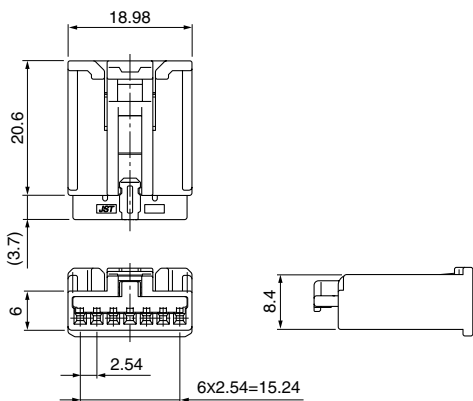
- ① Copper alloy, tin-plated (reflow treatment)
- ② Copper alloy, nickel-undercoated,
Contact area; gold-plated
Barrel area; tin-plated

Female connector (Single row)

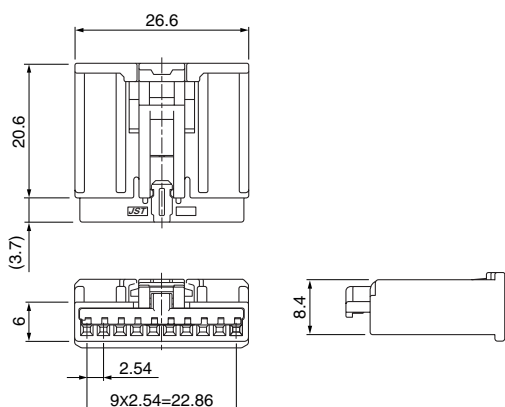
• 6 circuits



• 7 circuits



• 10 circuits



Circuits	Model No.	Q'ty/box	Housing Color
6	AIT2PB-06-1AK	350	Black
	AIT2PB-06-1BH	350	Gray
	AIT2PB-06-1FS	350	Natural (White)
7	AIT2PB-07-1BH	300	Gray
	AIT2PB-07-1FS	300	Natural (White)
10	AIT2PB-10-1AK	200	Black
	AIT2PB-10-1BH	200	Gray
	AIT2PB-10-1DM	200	Green
	AIT2PB-10-1FS	200	Natural (White)
	AIT2PB-10-1AD	200	Orange

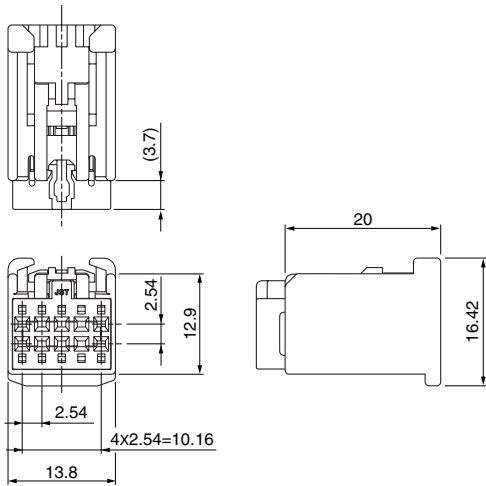
Material

Housing: Glass-filled PBT
TPA: Glass-filled PBT, red

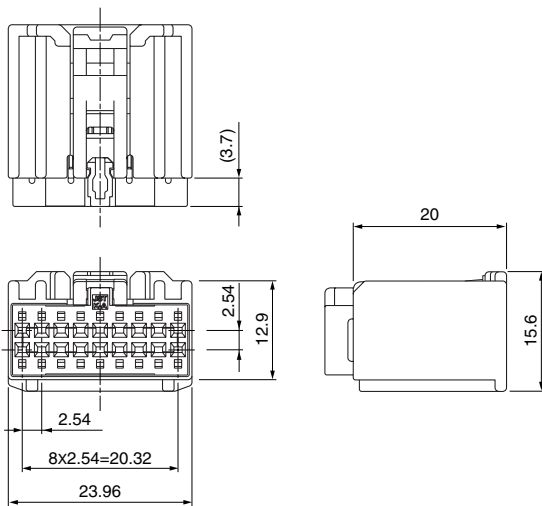
AIT-II CONNECTOR

Female connector (Dual row)

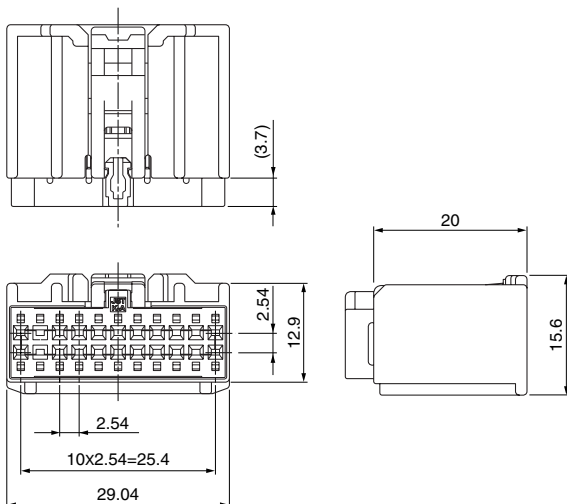
● 10 circuits



● 18 circuits



● 22 circuits



Circuits	Model No.	Q'ty/box	Housing Color	TPA Color
10	AIT2PB-10P-2AK	200	Black	Natural (White)
	AIT2PB-10P-2BH	200	Gray	Natural (White)
18	AIT2PB-18-2AD	120	Orange	Black
	AIT2PB-18-2BD	120	Orange	Natural (White)
	AIT2PB-18-2AK	120	Black	Natural (White)
	AIT2PB-18-2BH	120	Gray	Natural (White)
	AIT2PB-18-2DM	120	Green	Natural (White)
	AIT2PB-18-2FS	120	Natural (White)	Black
22	AIT2PB-22-2AK	100	Black	Natural (White)
	AIT2PB-22-2BH	100	Gray	Natural (White)
	AIT2PB-22-2CN	100	Brown	Natural (White)
	AIT2PB-22-2FS	100	Natural (White)	Black

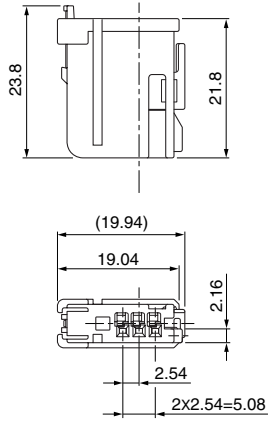
Material

Housing: Glass-filled PBT
TPA: Glass-filled PBT

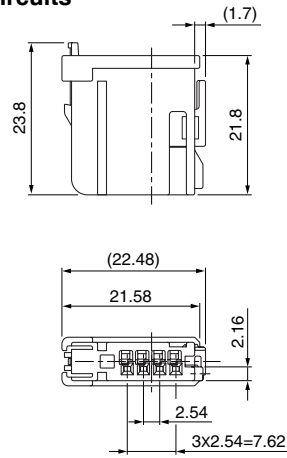
Female connector (Side Lock)

Side-Load TPA

● 3 circuits

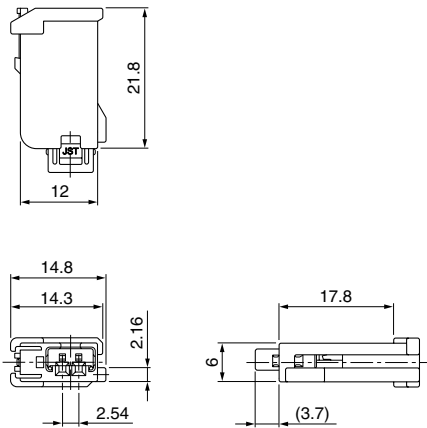


● 4 circuits

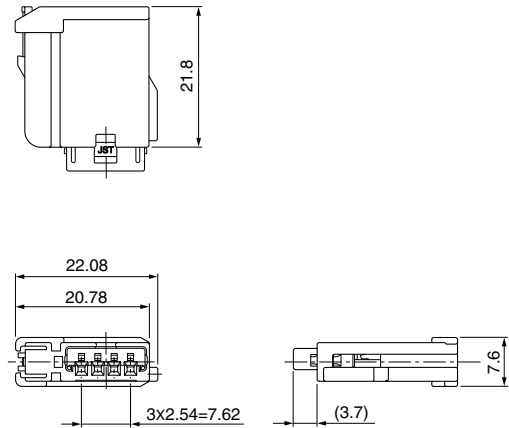


Front-Load TPA

● 2 circuits



● 4 circuits



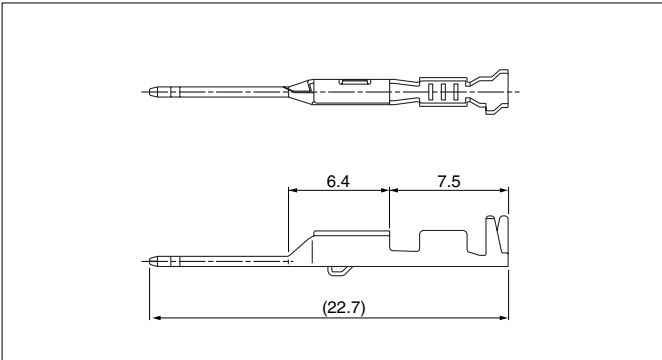
Circuits	TPA Location	Model No.	Q'ty/box	Housing Color
2	Front-Load	AIT2PB-02G-1AK	400	Black
		AIT2PB-02A-1FS	400	Natural (White)
3	Side-Load	AIT2PB-03B-1AK	400	Black
4	Front-Load	AIT2PB-04G-1AK	400	Black
	Side-Load	AIT2PB-04B-1AK	400	Black

Material

Housing: Glass-filled PBT
TPA: Glass-filled PBT, red

AIT-II CONNECTOR

Male terminal

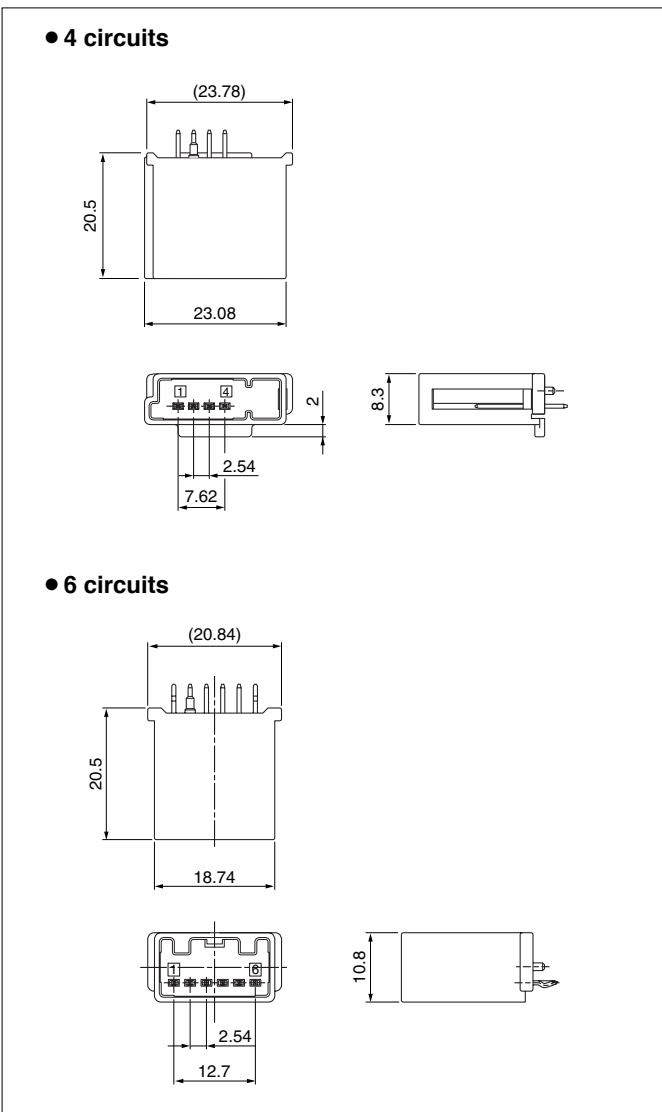


Model No.	Applicable wire range		Q'ty/reel
	Conductor (mm ²)	Insulation O.D. (mm)	
①SAITW-A03T-064	0.3 to 0.5	≤1.9	7,000
①SAITW-A02T-064	0.75 to 0.85	≤1.9	7,000
②SAITW-A03GF-064	0.3 to 0.5	≤1.9	7,000
②SAITW-A02GF-064	0.75 to 0.85	≤1.9	7,000

Material and Finish

- ①Brass, tin-plated (reflow treatment)
- ②Brass, nickel-undercoated, Contact area: gold-plated
Barrel area: tin-plated

Male connector (Top entry type)



Circuits	Model No.	Q'ty/box	Housing Color
4	①B04BA-AIT2-1AK	108	Black
6	②B06BA-AIT2-1AK-K	120	Black

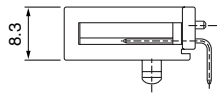
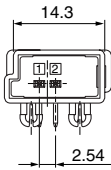
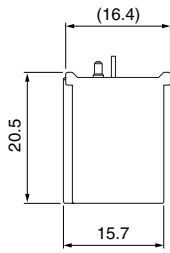
Material and Finish

- Housing: ①Glass-filled nylon
②Glass-filled PBT
- Pin: Brass, tin-plated

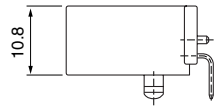
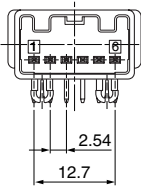
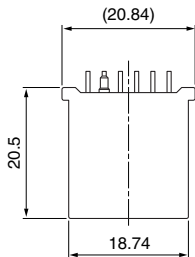
Male connector (Side entry type)

Single row

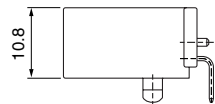
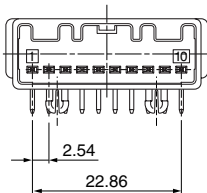
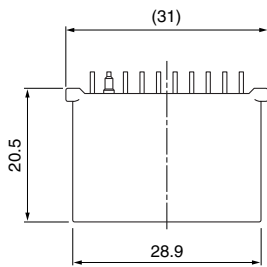
• 2 circuits



• 6 circuits



• 10 circuits



Circuits	Model No.	Q'ty/box	Housing Color
2	①S02BA-AIT2-1AK	96	Black
	①S02BA-AIT2-1FS		Natural (White)
6	①S06B-AIT2-1AK	80	Black
	①S06B-AIT2-1FS		Natural (White)
	①S06B1-AIT2-1FS		Natural (White)
	②S06B1-AIT2G-1AK		Black
10	②S10B-AIT2G-1AK	72	Black
	②S10B-AIT2G-1AD		Orange

Material and Finish

Housing: Glass-filled PBT

Pin: ①Brass, tin-plated

②Brass, tin-plated, nickel-undercoated,

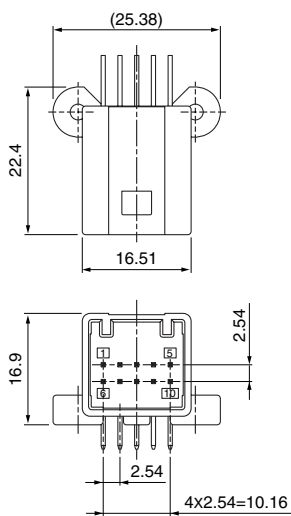
Contact area: gold-plated

AIT-II CONNECTOR

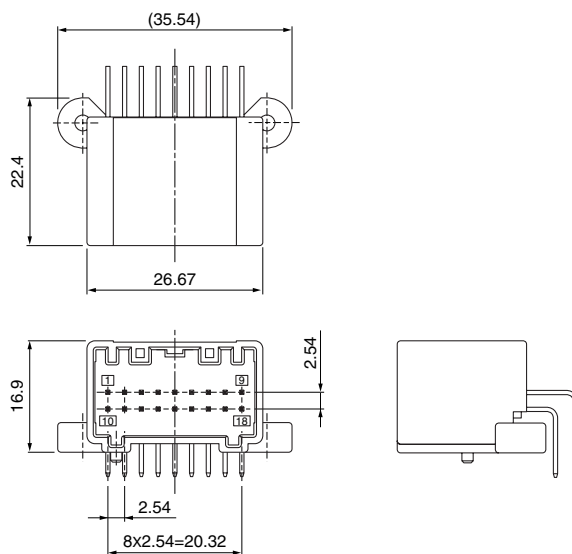
Male connector (Side entry type)

Dual row

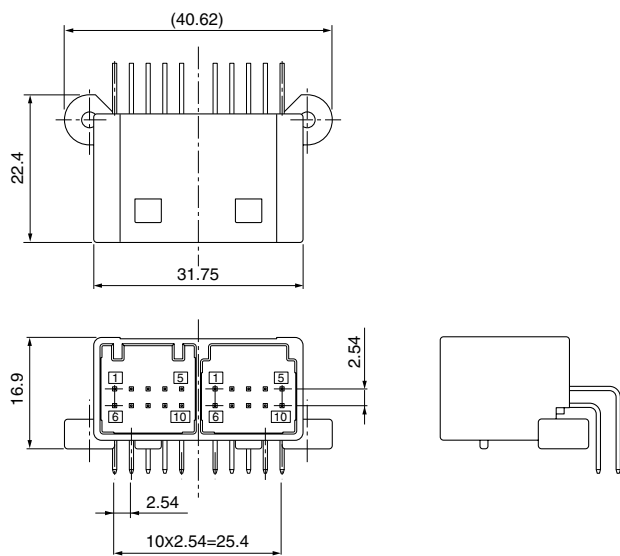
• 10 circuits



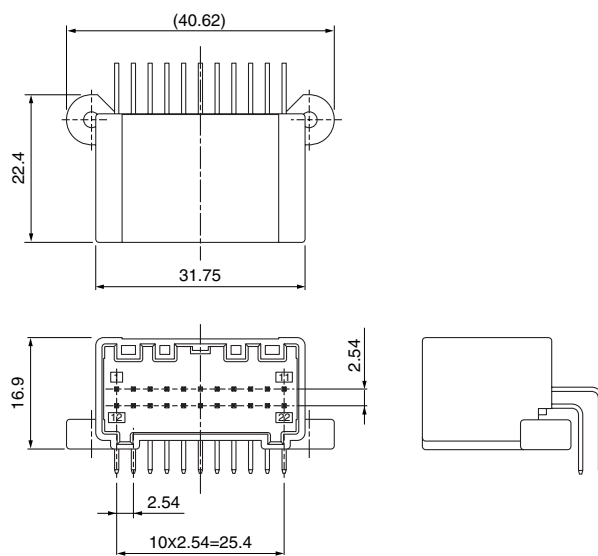
• 18 circuits



• 20 circuits



• 22 circuits



Circuits	Model No.	Q'ty/box	Housing Color
10	① S10B-AIT2-2AK (LF)(SN)	224	Black
	② S10B-AIT2G-2AK		Black
18	② S18B-AIT2G-2AK	160	Gray
	② S18B-AIT2G-2BH		Green
	② S18B-AIT2G-2DM		Natural (White)
	② S18B-AIT2G-2FS		Orange
	② S18B-AIT2G-2AD		Orange
20	② S20B-AIT2G-2A2BK	128	Black
	② S22B-AIT2G-2AK		Black
22	② S22B-AIT2G-2BH	128	Gray
	② S22B-AIT2G-2CN		Brown
	② S22B-AIT2G-2FS		Natural (White)

Material and Finish

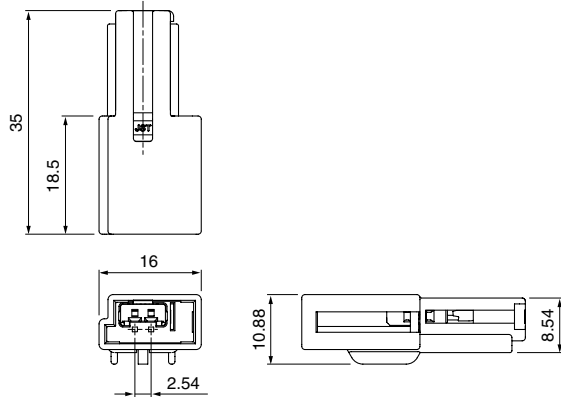
Housing: Glass-filled PBT

Pin: ① Brass, tin-plated

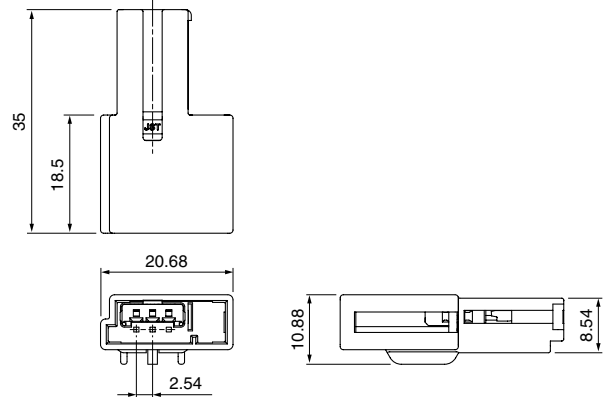
② Brass, tin-plated, Contact area: gold-plated

Male connector (Wire-to-wire)

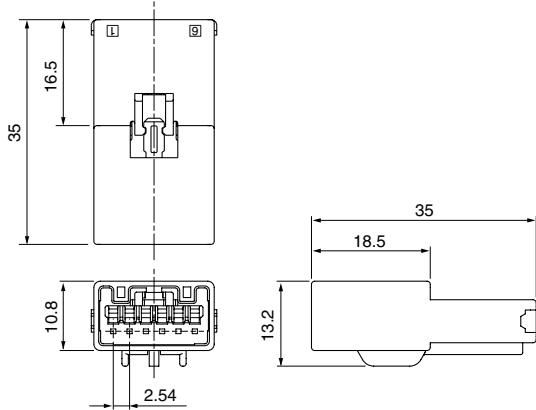
● 2 circuits



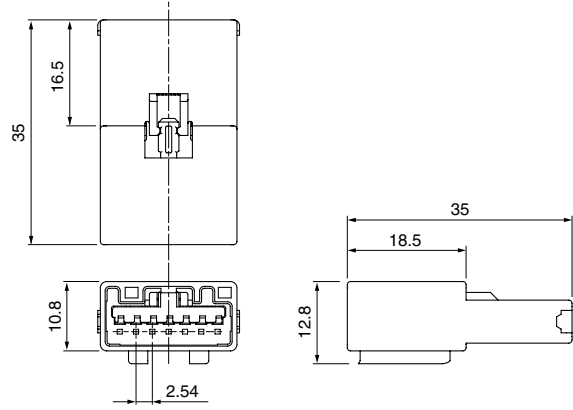
● 3 circuits



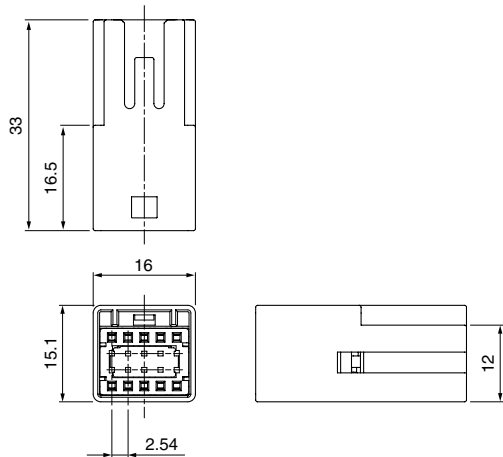
● 6 circuits



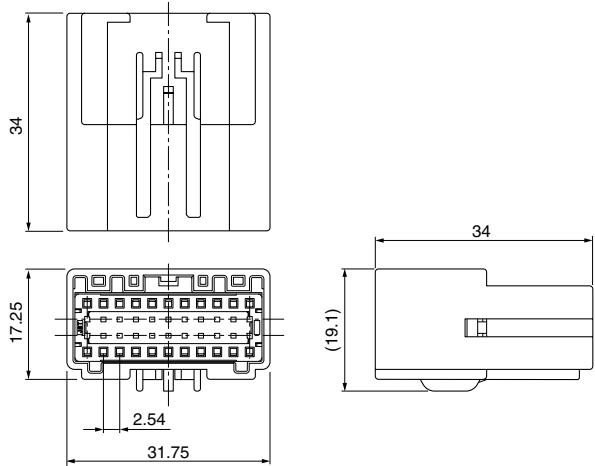
● 7 circuits



● 10 circuits (Dual row)



● 22 circuits (Dual row)



Circuits	Model No.	Q'ty/box	Housing Color	TPA Color
2	AIT2WSB-02A-1AK	300	Black	Red
3	AIT2WSB-03A-1AK	200	Black	Red
6	AIT2WSB-06-1AK	150	Black	Red
	AIT2WSB-06-1FS	150	Natural (White)	Red
7	AIT2WSB-07-1FS	150	Natural (White)	Red
	AIT2WSB-07-1FK	150	Black	Red
10	AIT2WSB-10A-2AK	150	Black	Natural (White)
	AIT2WSB-10A-2BH	150	Gray	Natural (White)
22	AIT2WSB-22-2AK	60	Black	Natural

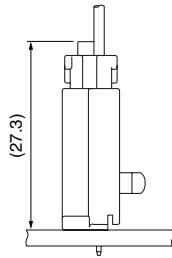
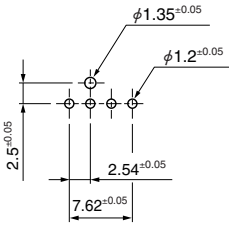
Material

Housing: Glass-filled PBT
TPA: Glass-filled PBT

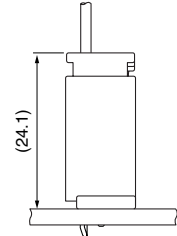
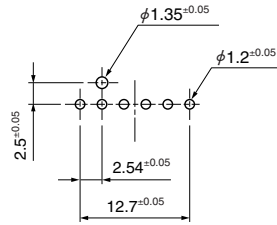
PC board layout, Assembly layout

Top entry type

● 4 circuits



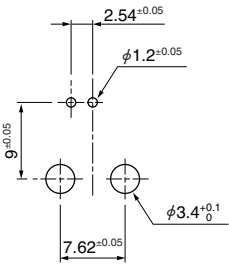
● 6 circuits



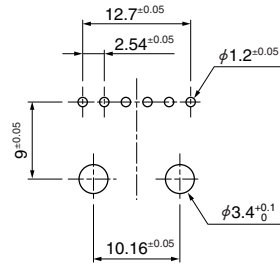
Side entry type

Single row

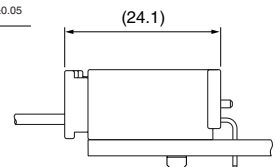
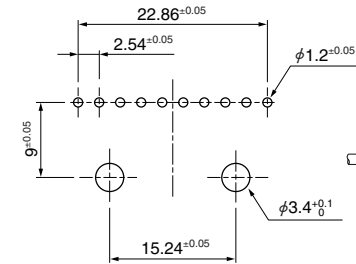
● 2 circuits



● 6 circuits

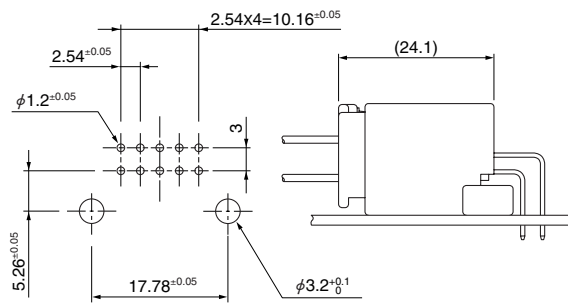


● 10 circuits

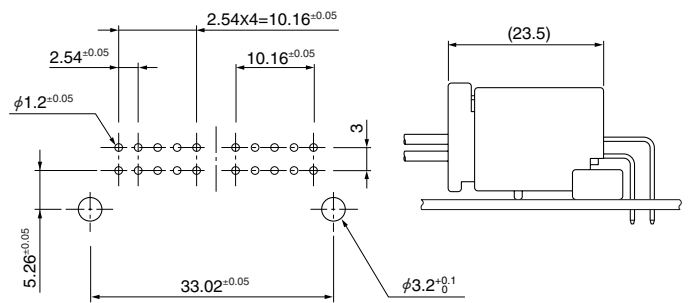


Dual row

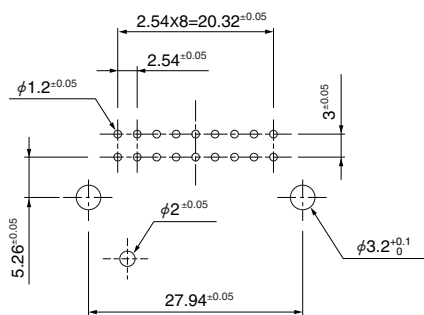
● 10 circuits



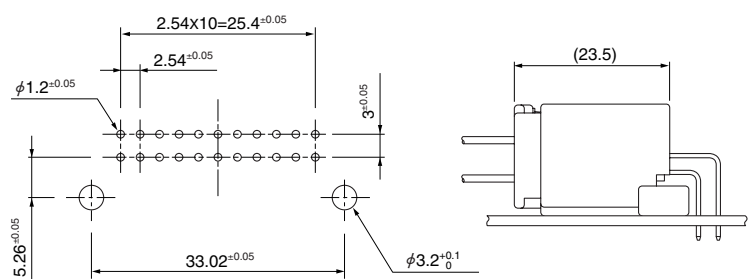
● 20 circuits



● 18 circuits



● 22 circuits



Note: 1. Tolerances are non-cumulative.

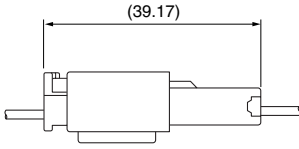
2. Hole dimensions differ according to the type of PC board and piercing method. The dimensions above should serve as guideline. Contact JST for details.

Assembly layout

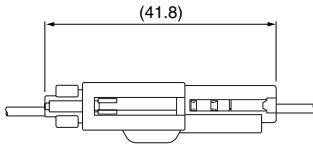
Wire-to-wire type

- Single row

AIT2WSB-()-1()

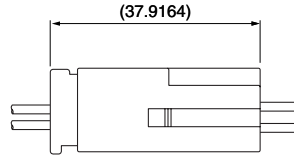


AIT2WSB-()A-1()

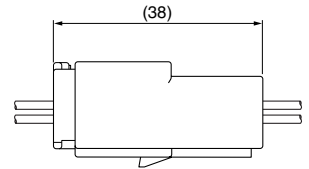


- Dual row

AIT2WSB-()A-2()



AIT2WSB-22-2AK



Crimping machine, Applicator

Strip terminal	Crimping machine	Crimp applicator MKS-L	
		Dies	Crimp applicator with dies
SAIT-A03()-M064	AP-K2N	MK/SAIT-A03-064	APLMK SAIT-A03-064
SAIT-A02()-M064		MK/SAIT-A02-064	APLMK SAIT-A02-064
SAITW-A03()-064		MK/SAITW-A03-064	APLMK SAITW-A03-064
SAITW-A02()-064		MK/SAITW-A02-064	APLMK SAITW-A02-064

Note: When crimping operation is conducted using an applicator and die set other than the above, JST cannot guarantee the performance of the terminal.

Mouser Electronics

Authorized Distributor

Click to View Pricing, Inventory, Delivery & Lifecycle Information:

JST:

[AIT2PB-02A-1AK](#) [AIT2PB-02A-1FS](#) [AIT2PB-03B-1AK](#) [AIT2PB-04B-1AK](#) [AIT2PB-04M-1AK](#) [AIT2WSB-10A-2AK](#)
[AIT2WSB-10A-2BH](#) [AIT2WSB-22-2AK](#) [AIT2PB-22-2AK](#) [AIT2WSB-02A-1AK](#) [AIT2WSB-03A-1AK](#) [AIT2WSB-06-1AK](#)
[AIT2WSB-06-1FS](#) [AIT2WSB-07-1FK](#) [AIT2PB-10-1AK](#) [AIT2PB-10-1BH](#) [AIT2PB-10-1DM](#) [AIT2PB-10-1FS](#) [AIT2PB-](#)
[10P-2AK](#) [AIT2PB-10P-2BH](#) [AIT2PB-06-1AK](#) [AIT2PB-06-1FS](#) [AIT2PB-07-1BH](#) [AIT2PB-07-1FS](#) [AIT2PB-10-1AD](#)
[SAITW-A03T-064](#) [SAITW-A03GF-064](#) [S06B-AIT2-1AK](#) [S10B-AIT2G-1AK](#) [AIT2PB-18-2AK](#) [AIT2PB-18-2DM](#) [AIT2PB-](#)
[04G-1AK](#) [AIT2PB-18-2BH](#) [AIT2PB-22-2FS](#) [AIT2PB-02G-1AK](#) [B04BA-AIT2-1AK](#) [AIT2PB-22-2BH](#)



Компания «ЭлектроПласт» предлагает заключение долгосрочных отношений при поставках импортных электронных компонентов на взаимовыгодных условиях!

Наши преимущества:

- Оперативные поставки широкого спектра электронных компонентов отечественного и импортного производства напрямую от производителей и с крупнейших мировых складов;
- Поставка более 17-ти миллионов наименований электронных компонентов;
- Поставка сложных, дефицитных, либо снятых с производства позиций;
- Оперативные сроки поставки под заказ (от 5 рабочих дней);
- Экспресс доставка в любую точку России;
- Техническая поддержка проекта, помощь в подборе аналогов, поставка прототипов;
- Система менеджмента качества сертифицирована по Международному стандарту ISO 9001;
- Лицензия ФСБ на осуществление работ с использованием сведений, составляющих государственную тайну;
- Поставка специализированных компонентов (Xilinx, Altera, Analog Devices, Intersil, Interpoint, Microsemi, Aeroflex, Peregrine, Syfer, Eurofarad, Texas Instrument, Miteq, Cobham, E2V, MA-COM, Hittite, Mini-Circuits, General Dynamics и др.);

Помимо этого, одним из направлений компании «ЭлектроПласт» является направление «Источники питания». Мы предлагаем Вам помощь Конструкторского отдела:

- Подбор оптимального решения, техническое обоснование при выборе компонента;
- Подбор аналогов;
- Консультации по применению компонента;
- Поставка образцов и прототипов;
- Техническая поддержка проекта;
- Защита от снятия компонента с производства.



Как с нами связаться

Телефон: 8 (812) 309 58 32 (многоканальный)

Факс: 8 (812) 320-02-42

Электронная почта: org@eplast1.ru

Адрес: 198099, г. Санкт-Петербург, ул. Калинина, дом 2, корпус 4, литера А.