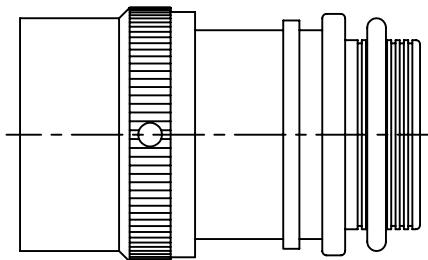


TYCO ELECTRONICS RESERVES THE RIGHT TO AMEND THIS DRAWING AT ANY TIME. USERS SHOULD EVALUATE THE SUITABILITY OF THE PRODUCT FOR THEIR APPLICATION.

REVISIONS

LTR	DESCRIPTION	DATE	APPROVED
C	REVISED PER ECN AD93031	7/28/93	WCG
D	PER ECO-08-024766	10/6/08	M.PIOZET



CODE 32
STRAIGHT ADAPTER

NOTES:

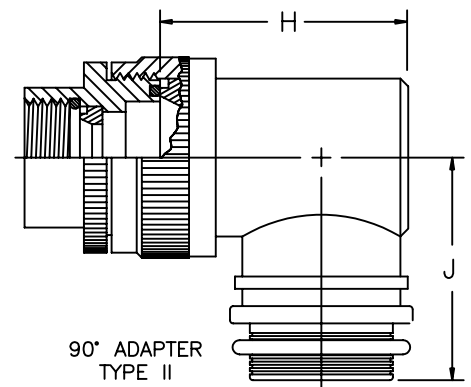
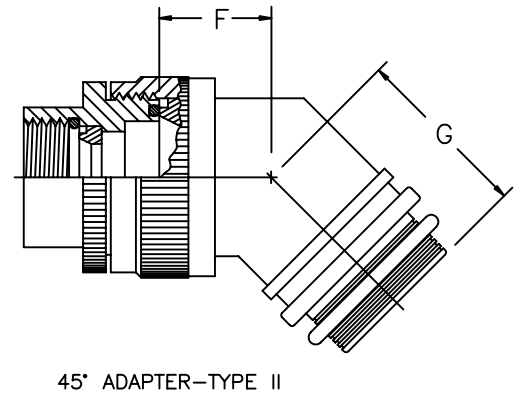
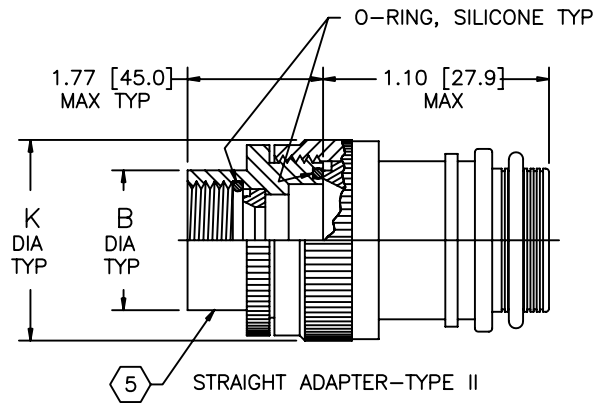
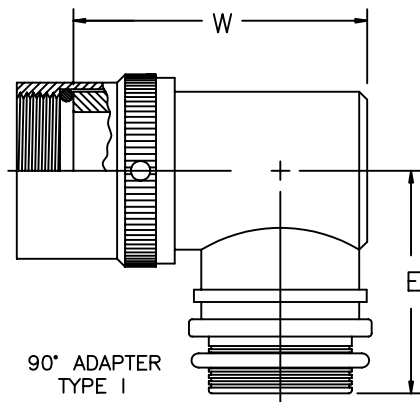
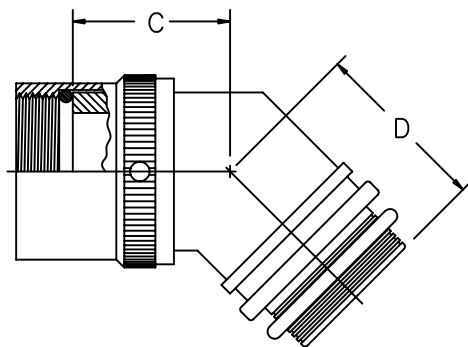
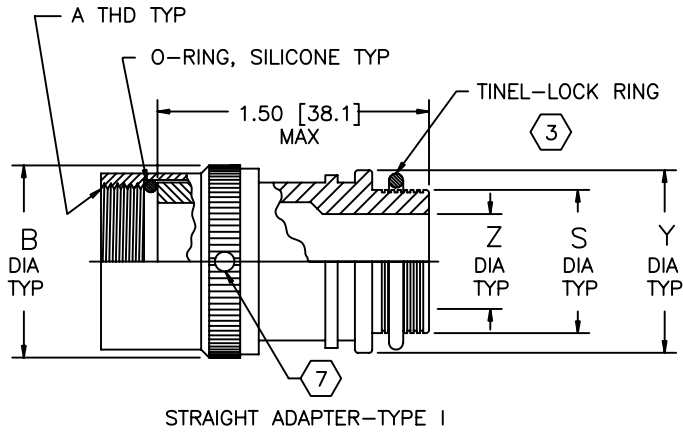
1. THIS PRODUCT IS DESIGNED TO TERMINATE A BRAIDED CABLE SHIELD AND A HEAT SHRINKABLE LIPPED BOOT TO A CONNECTOR.
2. SEE CH00-0250-008 FOR ORDERING INFORMATION, MODIFICATIONS AND ADDITIONAL DIMENSIONS.
3. SEE DRAWING "TR" FOR DETAIL ON TINEL-LOCK RING. RINGS ARE DESIGNED TO BE HEATED ELECTRICALLY. ALL RINGS ARE MARKED WITH THERMOCHROMIC PAINT WHICH CHANGES COLOR WHEN INSTALLATION TEMPERATURE IS REACHED.
4. ADAPTER TO BE PERMANENTLY MARKED WITH CODE IDENT. NO. AND PART NO. LESS RING DESIGNATOR (E.G.: 06090-TXR32AB00-1406). RINGS SHALL BEAR NO MARKING.
5. FOR LARGER ENTRY SIZES, A 2 PIECE ADAPTER (TYPE II) IS SUPPLIED.
6. ADAPTER MATES TO MIL-C-22992, CLASS C & R, MS17343, 44, 45 & 47 CONNECTORS.
7. ANTI-ROTATIONAL SET SCREW, 3 THREADED HOLES 120° ± 5° APART, SINGLE MATING SET SCREW SUPPLIED: AN565DC4H2. NOT REQUIRED FOR TYPE II ADAPTERS.

If this document is printed it becomes uncontrolled. Check for the latest revision

TINEL-LOCK™ is a Trademark of the Tyco Electronics Corporation
©2008 Tyco Electronics. All rights reserved.

CUSTOMER DRAWING

UNLESS OTHERWISE SPECIFIED DIMENSIONS ARE IN INCHES. METRIC DIMENSIONS ARE IN BRACKETS. DECIMALS .X ± --- [mm] .XX ± --- [mm] .XXX ± --- [mm] ANGLES .X ± ---	DRAWN J.BITTER	DATE 7/09/93		Raychem Adapters 300 Constitution Drive Menlo Park, CA 94025 U.S.A		
	CHECKED -	DATE -		TITLE TINEL-LOCK™ ADAPTER		
	APPROVED -	DATE -	SIZE A CODE IDENT. NO. 06090 DWG. NO. TXR32 REV D			
	APPROVED -	DATE -				DO NOT SCALE THIS DWG
CAD NAME TXR32a	THIRD ANGLE PROJECTION		SHEET 1 OF 4			



If this document is printed it becomes uncontrolled. Check for the latest revision

TINEL-LOCK™ is a Trademark of the Tyco Electronics Corporation
©2008 Tyco Electronics. All rights reserved.

CUSTOMER DRAWING

SIZE A	CODE IDENT. NO. 06090	DWG. NO. TXR32	REV D
DO NOT SCALE THIS DWG		CAD NAME: TXR32b	SHEET 2 OF 4

TABLE I

ORDER NO.	SHELL SIZE 6	MAX ENTRY SIZE TYPE I 5	A LEFT HAND THD CLASS 2B	B DIA MAX	C MAX	D MAX	E MAX
12	12	08	.750-20 UNEF	1.07 [27.2]	1.14 [29.0]	1.00 [25.4]	1.32 [33.5]
14	14	10	.875-20 UNEF	1.19 [30.2]	1.17 [29.7]	1.02 [25.9]	1.39 [35.3]
16	16	12	1.000-20 UNEF	1.32 [33.5]	1.18 [30.0]	1.03 [26.2]	1.46 [37.1]
18	18	14	1.125-18 UNEF	1.44 [36.6]	1.21 [30.7]	1.06 [26.9]	1.52 [38.6]
20	20	16	1.250-18 UNEF	1.57 [39.9]	1.23 [31.2]	1.09 [27.7]	1.58 [40.1]
22	22	18	1.375-18 UNEF	1.69 [42.9]	1.26 [32.0]	1.11 [28.2]	1.64 [41.7]
24	24	22	1.625-18 UNEF	2.07 [52.6]	1.32 [33.5]	1.18 [30.0]	1.83 [46.5]
28	28	24	1.875-16 UN	2.32 [58.9]	1.37 [34.8]	1.23 [31.2]	1.96 [49.8]
32	32	24	2.062-16 UNS	2.57 [65.3]	1.43 [36.3]	1.28 [32.5]	2.08 [52.8]
36	36	24	2.312-16 UNS	2.82 [71.6]	1.48 [37.6]	1.33 [33.8]	2.21 [56.1]
40	40	24	2.625-16 UN	3.07 [78.0]	1.53 [38.9]	1.39 [35.3]	2.32 [58.9]
44	44	28	2.875-16 UNS	3.27 [83.0]	1.60 [40.5]	1.46 [37.0]	2.44 [62.0]

If this document is printed it becomes uncontrolled. Check for the latest revision

CUSTOMER DRAWING

TINEL-LOCK™ is a Trademark of the Tyco Electronics Corporation
©2008 Tyco Electronics. All rights reserved.

SIZE A	CODE IDENT. NO. 06090	DWG. NO. TXR32	REV D
DO NOT SCALE THIS DWG		CAD NAME: TXR32c	SHEET 3 OF 4

TABLE II

ENTRY SIZE	Z +.010 -.020	S DIA	Y ±.015 [±0.38]	W MAX	F MAX	G MAX	J MAX	H MAX	K MAX
04	.250 [6.35]	.376 [9.56] .370 [9.39]	.550 [13.97]	1.56 [39.6]	N/A	N/A	N/A	N/A	N/A
05	.312 [7.92]	.438 [11.13] .432 [10.97]	.612 [15.54]	1.69 [42.9]	N/A	N/A	N/A	N/A	N/A
06	.375 [9.52]	.501 [12.73] .495 [12.57]	.675 [17.14]	1.69 [42.9]	N/A	N/A	N/A	N/A	N/A
07	.437 [11.09]	.563 [14.31] .556 [14.12]	.737 [18.71]	1.81 [46.0]	N/A	N/A	N/A	N/A	N/A
08	.500 [12.70]	.626 [15.91] .619 [15.72]	.800 [20.32]	1.81 [46.0]	N/A	N/A	N/A	N/A	N/A
10	.625 [15.87]	.752 [19.11] .742 [18.84]	.925 [23.49]	1.94 [49.3]	.84 [21.3]	1.00 [25.4]	1.35 [34.3]	1.51 [38.4]	1.18 [30.0]
12	.750 [19.05]	.877 [22.28] .867 [22.02]	1.050 [26.67]	2.06 [52.3]	.86 [21.8]	1.01 [25.7]	1.40 [35.6]	1.63 [41.4]	1.35 [34.3]
14	.875 [22.23]	1.002 [25.46] .991 [25.17]	1.175 [29.84]	2.19 [55.6]	.88 [22.4]	1.04 [26.4]	1.46 [37.1]	1.78 [45.2]	1.41 [35.8]
16	1.000 [25.40]	1.127 [28.63] 1.116 [28.34]	1.300 [33.02]	2.36 [59.0]	.91 [23.1]	1.06 [26.9]	1.53 [38.9]	1.88 [47.8]	1.60 [40.6]
18	1.125 [28.57]	1.252 [31.81] 1.241 [31.52]	1.425 [36.19]	2.74 [69.6]	.93 [23.6]	1.09 [27.7]	1.59 [40.4]	2.01 [51.1]	1.66 [42.2]
20	1.250 [31.75]	1.377 [34.98] 1.366 [34.69]	1.550 [39.37]	2.86 [72.6]	.98 [24.9]	1.13 [28.7]	1.78 [45.2]	2.13 [54.1]	2.04 [51.8]
22	1.375 [34.93]	1.502 [38.15] 1.488 [37.79]	1.675 [42.55]	2.99 [75.9]	1.03 [26.2]	1.38 [35.1]	1.85 [47.0]	2.29 [58.2]	2.23 [56.6]
24	1.500 [38.10]	1.627 [41.33] 1.613 [40.97]	1.800 [45.72]	3.11 [79.0]	1.08 [27.4]	1.44 [36.6]	1.92 [48.8]	2.42 [61.5]	2.23 [56.6]
28	1.75 [44.45]	1.875 [47.63] 1.865 [47.37]	2.050 [52.07]	3.36 [85.5]	N/A	N/A	N/A	N/A	N/A

If this document is printed it becomes uncontrolled. Check for the latest revision

CUSTOMER DRAWING

TINEL-LOCK™ is a Trademark of the Tyco Electronics Corporation
©2008 Tyco Electronics. All rights reserved.

SIZE A	CODE IDENT. NO. 06090	DWG. NO. TXR32	REV D
DO NOT SCALE THIS DWG		CAD NAME: TXR32d	SHEET 4 OF 4



Компания «ЭлектроПласт» предлагает заключение долгосрочных отношений при поставках импортных электронных компонентов на взаимовыгодных условиях!

Наши преимущества:

- Оперативные поставки широкого спектра электронных компонентов отечественного и импортного производства напрямую от производителей и с крупнейших мировых складов;
- Поставка более 17-ти миллионов наименований электронных компонентов;
- Поставка сложных, дефицитных, либо снятых с производства позиций;
- Оперативные сроки поставки под заказ (от 5 рабочих дней);
- Экспресс доставка в любую точку России;
- Техническая поддержка проекта, помощь в подборе аналогов, поставка прототипов;
- Система менеджмента качества сертифицирована по Международному стандарту ISO 9001;
- Лицензия ФСБ на осуществление работ с использованием сведений, составляющих государственную тайну;
- Поставка специализированных компонентов (Xilinx, Altera, Analog Devices, Intersil, Interpoint, Microsemi, Aeroflex, Peregrine, Syfer, Eurofarad, Texas Instrument, Miteq, Cobham, E2V, MA-COM, Hittite, Mini-Circuits, General Dynamics и др.);

Помимо этого, одним из направлений компании «ЭлектроПласт» является направление «Источники питания». Мы предлагаем Вам помощь Конструкторского отдела:

- Подбор оптимального решения, техническое обоснование при выборе компонента;
- Подбор аналогов;
- Консультации по применению компонента;
- Поставка образцов и прототипов;
- Техническая поддержка проекта;
- Защита от снятия компонента с производства.



Как с нами связаться

Телефон: 8 (812) 309 58 32 (многоканальный)

Факс: 8 (812) 320-02-42

Электронная почта: org@eplast1.ru

Адрес: 198099, г. Санкт-Петербург, ул. Калинина, дом 2, корпус 4, литера А.