

List of "SFW\_\_R-3/4STE9LF" customer document

DOCUMENT NO.	LIST
SC-SFW11	SPEC.
10117478 Sheet2	CAT.NO.TABLE FOR 1mm CONTACT SPACING SMT CONNECTOR (SFW__R-3/4ST__LF)
10117478 Sheet3	1mm SPACING SMT CONNECTOR (SFW__R-3ST__LF)
10117478 Sheet4	1mm SPACING SMT CONNECTOR (SFW__R-4ST__LF)
10117478 Sheet5	CAT.NO.TABLE FOR PLASTIC TAPE PACKAGED 1mm SPACING SMT CONNECTOR (SFW__R-3/4STE9LF)
10117478 Sheet6	PLASTIC TAPE PACKAGED 1mm SPACING SMT CONNECTOR (SFW__R-3STE9LF)
10117478 Sheet7	PLASTIC TAPE PACKAGED 1mm SPACING SMT CONNECTOR (SFW__R-4STE9LF)
10117478 Sheet8	RECOMMENDED CABLE (FPC) (SFW__R-3/4ST__)
GS-20-130	HANDLING PROCEDURES

mat'l. code				surface ISO 1302 <input checked="" type="checkbox"/>		tolerance ISO 406 ISO 1101		projection		product family 58RF				
ltr	ecn no	dr	date	tolerances unless otherwise specified				MM		title 1mm SPACING FPC CONNECTOR DOCUMENT LIST (Cat. No. : SFW__R-3/4STE9LF)				
A	J11-0050	S.W	2011-2-17	angles	linear			scale N/A		dwg no		sheet 1 of 8	size	
B	ELX-J-32994	S.W	2019-3-25							10117478		A4		
				dr	S.WATANABE	2019-3-25				type Product Customer Drawing				
				enr	S.WATANABE	2019-3-25								
				chr	S-H.THIO	2019-3-25								
				appd	Y.KAMEDA	2019-3-25								
sheet index	revision sheet	B	B	B	B	B	B	B	B					
		1	2	3	4	5	6	7	8					

CAT. NO. & DIMENSIONS

NO. OF CONTACTS (n)	CAT. NO.	DIMENSIONS (NOTE2)			
		A ± 0.2	B ± 0.2	C ± 0.2	D ± 0.1
4	SFW4R-3/4ST__LF	9.8	8.6	3.0	3.92
5	SFW5R-3/4ST__LF	10.8	9.6	4.0	4.92
6	SFW6R-3/4ST__LF	11.8	10.6	5.0	5.92
7	SFW7R-3/4ST__LF	12.8	11.6	6.0	6.92
8	SFW8R-3/4ST__LF	13.8	12.6	7.0	7.92
9	SFW9R-3/4ST__LF	14.8	13.6	8.0	8.92
10	SFW10R-3/4ST__LF	15.8	14.6	9.0	9.92
11	SFW11R-3/4ST__LF	16.8	15.6	10.0	10.92
12	SFW12R-3/4ST__LF	17.8	16.6	11.0	11.92
13	SFW13R-3/4ST__LF	18.8	17.6	12.0	12.92
14	SFW14R-3/4ST__LF	19.8	18.6	13.0	13.92
15	SFW15R-3/4ST__LF	20.8	19.6	14.0	14.92
16	SFW16R-3/4ST__LF	21.8	20.6	15.0	15.92
17	SFW17R-3/4ST__LF	22.8	21.6	16.0	16.92
18	SFW18R-3/4ST__LF	23.8	22.6	17.0	17.92
19	SFW19R-3/4ST__LF	24.8	23.6	18.0	18.92
20	SFW20R-3/4ST__LF	25.8	24.6	19.0	19.92
21	SFW21R-3/4ST__LF	26.8	25.6	20.0	20.92
22	SFW22R-3/4ST__LF	27.8	26.6	21.0	21.92
23	SFW23R-3/4ST__LF	28.8	27.6	22.0	22.92
24	SFW24R-3/4ST__LF	29.8	28.6	23.0	23.92
25	SFW25R-3/4ST__LF	30.8	29.6	24.0	24.92
26	SFW26R-3/4ST__LF	31.8	30.6	25.0	25.92
27	SFW27R-3/4ST__LF	32.8	31.6	26.0	26.92
28	SFW28R-3/4ST__LF	33.8	32.6	27.0	27.92
29	SFW29R-3/4ST__LF	34.8	33.6	28.0	28.92
30	SFW30R-3/4ST__LF	35.8	34.6	29.0	29.92

CAT. NO. SFW (n) R - 3 ST \_\_ LF

SERIES NAME

NO. OF CONTACTS

RIGHT ANGLE TYPE

FOR FPC/FFC, WITH CABLE LOCK MECHANISM

CONTACT DIRECTION

3. LOWER CONTACT TYPE

4. UPPER CONTACT TYPE

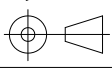
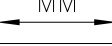

FOR AUTOMATIC MOUNTING (SMT)

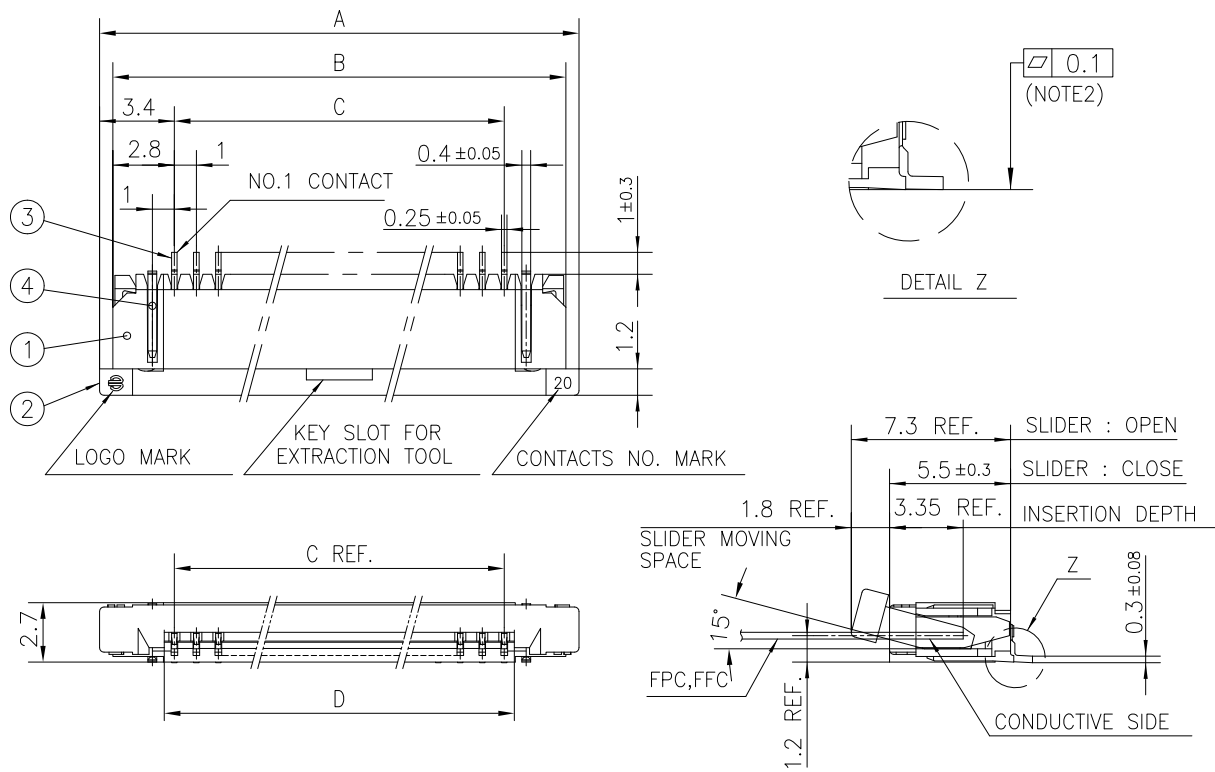
PACKAGE STYLE

LEAD FREE

NOTES

1. THIS PRODUCT IS THE CONNECTOR USED FOR FPC/FFC AND COPEs WITH AUTOMATIC MOUNTING (SMT).
2. SEE PART DRAWINGS FOR DIMENSIONS A~D.
3. THIS PRODUCT IS THE CONNECTOR WITH CABLE LOCK MECHANISM.

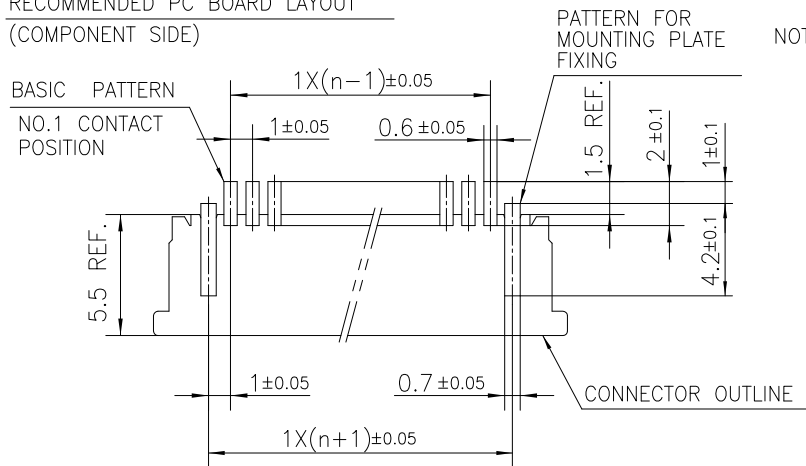
mat'l. code		surface ISO 1302 <input checked="" type="checkbox"/>		tolerance ISO 406 ISO 1101		projection 		product family 58RF			
ltr	ecn no	dr	date	tolerances unless otherwise specified		MM 		title CAT NO. TABLE FOR 1mm SPACING SMT CONNECTOR (Cat. No. SFW__R-3/4ST__LF)			
B				angles	linear	scale N/A		dwg no		sheet 2 of 8	size
				dr	S.WATANABE	2019-3-25		10117478			A4
				enr	S.WATANABE	2019-3-25		Product Customer Drawing			
				chr	S-H.THIO	2019-3-25					
				appd	Y.KAMEDA	2019-3-25					
sheet index	revision sheet										



PT. NO.	PARTS NAME	MATERIAL	Q'TY	NOTE
1	HOUSING	PPS RESIN GLASS REINFORCED (UL94V-0)	1	COLOR : BLACK
2	SLIDER		1	COLOR : BROWN
3	CONTACT	PHOSPHOR BRONZE	n	PLATING : MATTE TIN
4	MOUNTING PLATE		2	

n : NO. OF CONTACTS

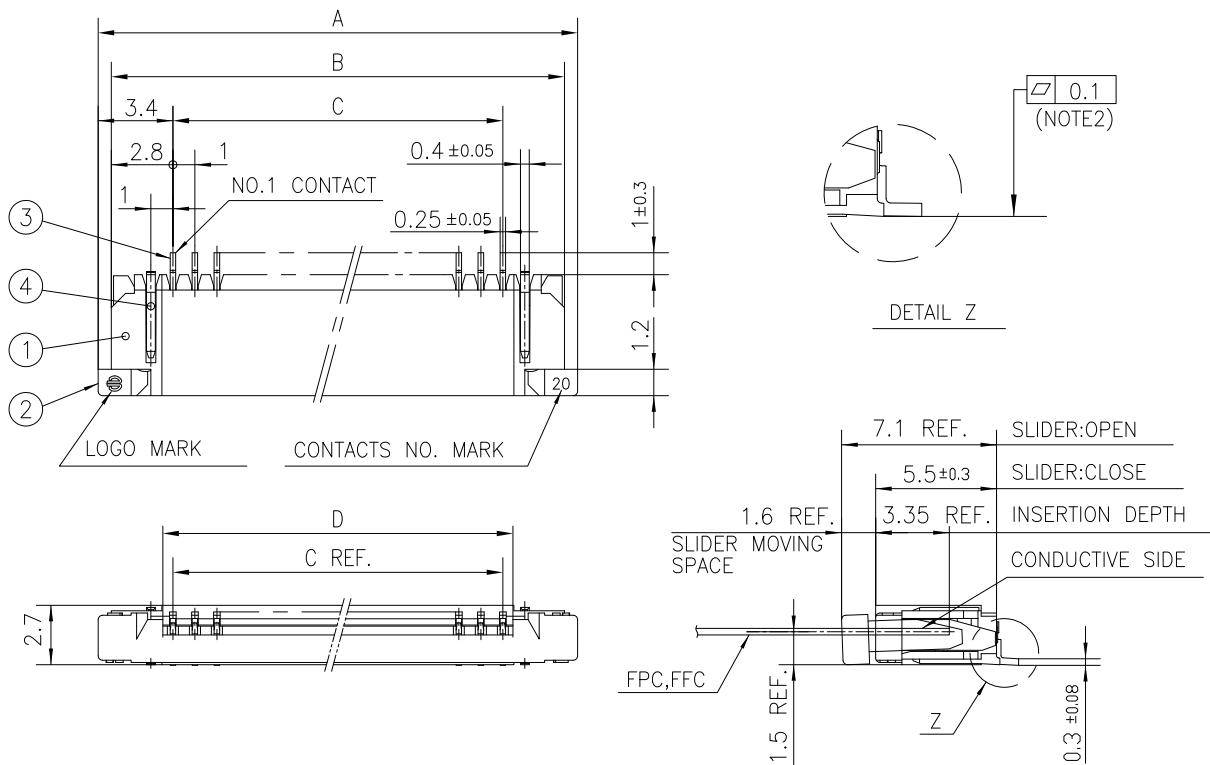
RECOMMENDED PC BOARD LAYOUT (COMPONENT SIDE)



NOTES

1. THIS PRODUCT IS THE CONNECTOR USED FOR FPC/FFC AND COPES WITH AUTOMATIC MOUNTING (SMT).
2. FLATNESS FOR CONTACT TERMINAL HOUSING MUST BE WITHIN TOLERANCE IN Z PORTION DETAILED DRAWING.
3. THIS PRODUCT IS LOWER CONTACT TYPE CONNECTOR WITH CABLE LOCK MECHANISM.
4. THIS PRODUCT MEETS EUROPEAN UNION DIRECTIVES AND OTHER COUNTRY REGULATIONS AS DESCRIBED IN GS-22-008.
5. THE HOUSING WILL WITHSTAND EXPOSURE TO 260°C PEAK TEMPERATURE FOR 10 SECONDS IN A REFLOW SOLDERING OVEN.

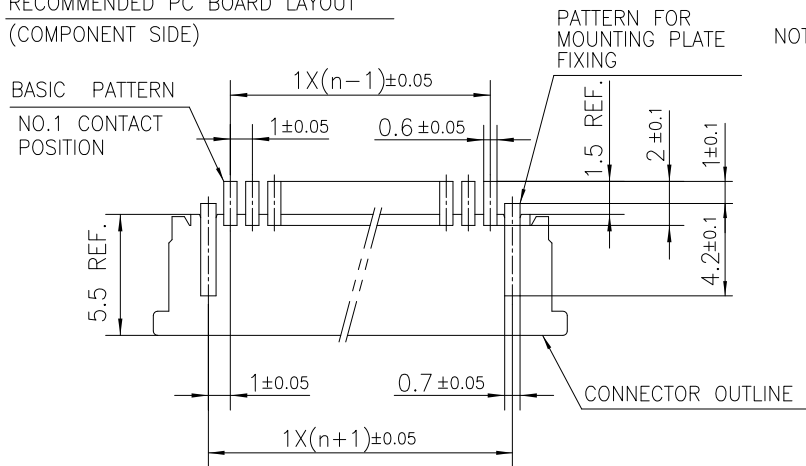
mat'l. code		surface ISO 1302		tolerance ISO 406 ISO 1101		projection		product family		
-		✓						58RF		
ltr	ecn no	dr	date	tolerances unless otherwise specified				title		
B				angles	linear	MM		1mm SPACING SMT CONNECTOR (Cat. No. SFW__R-3ST__LF)		
		dr	S.WATANABE	2019-3-25			dwg no		sheet 3 of 8	size
		enr	S.WATANABE	2019-3-25			10117478		A4	
		chr	S-H.THIO	2019-3-25			type		Product Customer Drawing	
		appd	Y.KAMEDA	2019-3-25						
sheet index	revision sheet									



PT. NO.	PARTS NAME	MATERIAL	Q'TY	NOTE
1	HOUSING	PPS RESIN GLASS REINFORCED (UL94V-0)	1	COLOR : BLACK
2	SLIDER		1	COLOR : BROWN
3	CONTACT	PHOSPHOR BRONZE	n	PLATING : MATTE TIN
4	MOUNTING PLATE		2	

n : NO. OF CONTACTS

RECOMMENDED PC BOARD LAYOUT  
(COMPONENT SIDE)



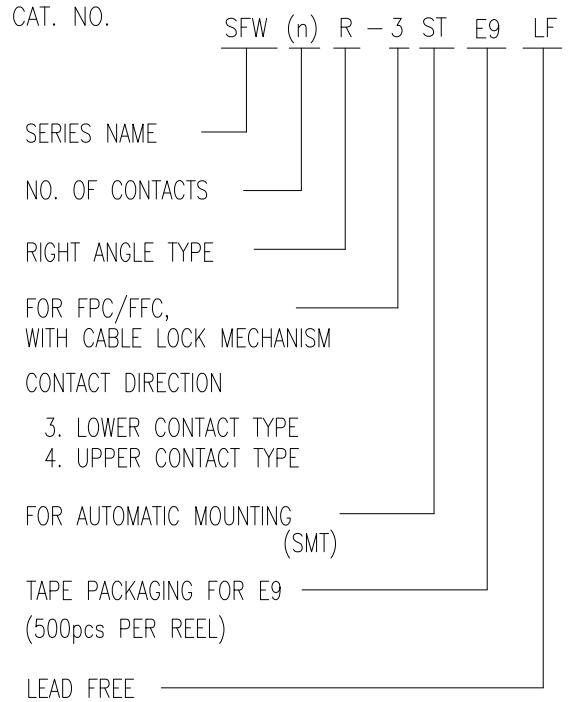
NOTES

1. THIS PRODUCT IS THE CONNECTOR USED FOR FPC/FFC AND COPES WITH AUTOMATIC MOUNTING (SMT).
2. FLATNESS FOR CONTACT TERMINAL HOUSING MUST BE WITHIN TOLERANCE IN Z PORTION DETAILED DRAWING.
3. THIS PRODUCT IS UPPER CONTACT TYPE CONNECTOR WITH CABLE LOCK MECHANISM.
4. THIS PRODUCT MEETS EUROPEAN UNION DIRECTIVES AND OTHER COUNTRY REGULATIONS AS DESCRIBED IN GS-22-008.
5. THE HOUSING WILL WITHSTAND EXPOSURE TO 260°C PEAK TEMPERATURE FOR 10 SECONDS IN A REFLOW SOLDERING OVEN.

mat'l. code		surface ISO 1302		tolerance ISO 406 ISO 1101		projection		product family					
ltr		ecn no		dr		date		tolerances unless otherwise specified		title			
B								±0.2		1mm SPACING SMT CONNECTOR (Cat. No. SFW__R-4ST__LF)			
								linear		MM			
								scale		X			
				dr		S.WATANABE		2019-3-25		Amphenol FCI		dwg no sheet 4 of 8 size	
				enr		S.WATANABE		2019-3-25				10117478 A4	
				chr		S-H.THIO		2019-3-25					
				appd		Y.KAMEDA		2019-3-25				type Product Customer Drawing	
sheet index		revision sheet											

CAT. NO. & DIMENSIONS

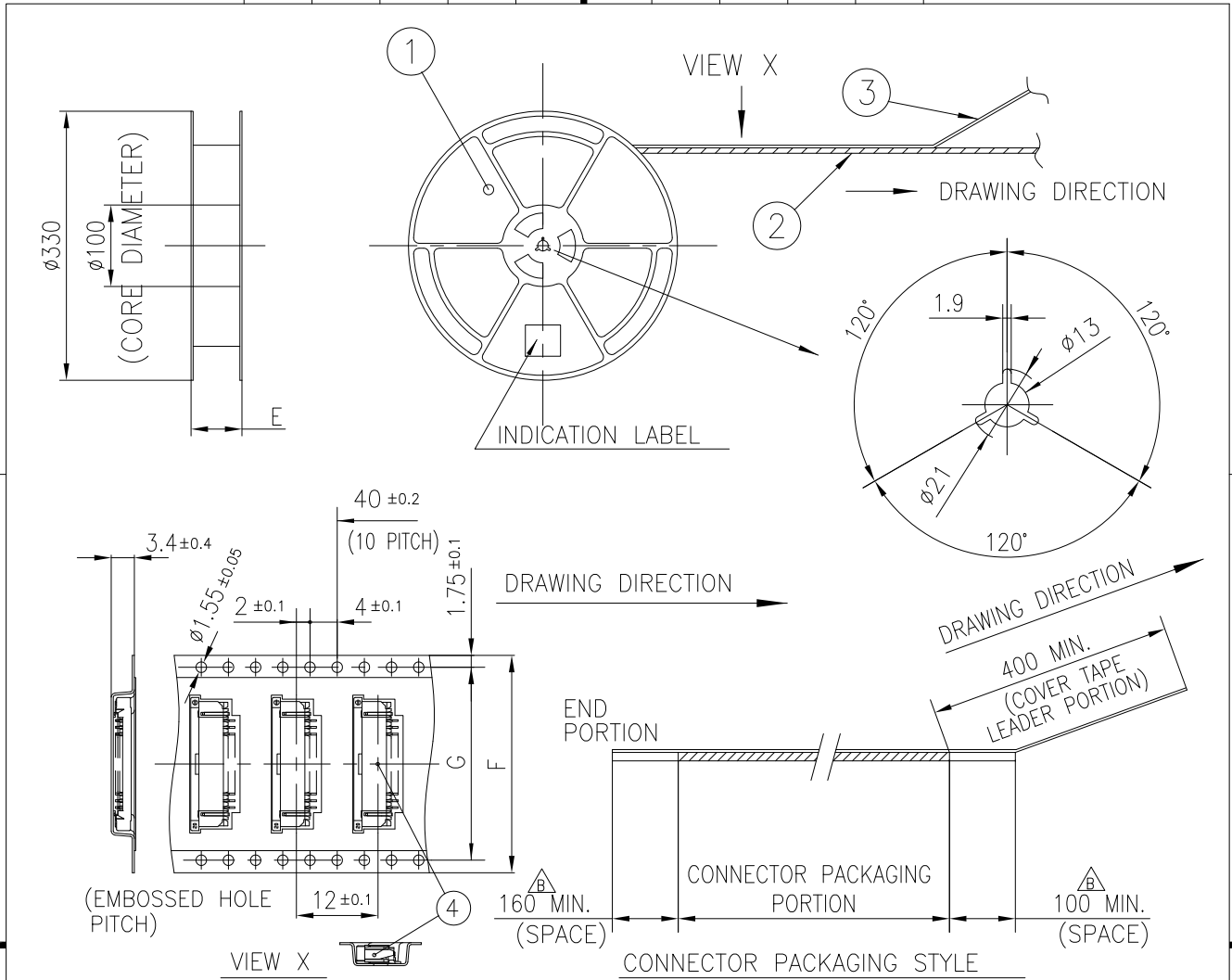
NO. OF CONTACTS (n)	CAT. NO. (NOTE2)	DIMENSIONS (NOTE3)		
		E MAX.	F ± 0.3	G ± 0.1
4	SFW4R-3/4STE9LF	22.4	16	—
5	SFW5R-3/4STE9LF	30.4	24	—
6	SFW6R-3/4STE9LF	30.4	24	—
7	SFW7R-3/4STE9LF	30.4	24	—
8	SFW8R-3/4STE9LF	30.4	24	—
9	SFW9R-3/4STE9LF	30.4	24	—
10	SFW10R-3/4STE9LF	30.4	24	—
11	SFW11R-3/4STE9LF	30.4	24	—
12	SFW12R-3/4STE9LF	30.4	24	—
13	SFW13R-3/4STE9LF	38.4	32	28.4
14	SFW14R-3/4STE9LF	38.4	32	28.4
15	SFW15R-3/4STE9LF	38.4	32	28.4
16	SFW16R-3/4STE9LF	38.4	32	28.4
17	SFW17R-3/4STE9LF	50.4	44	40.4
18	SFW18R-3/4STE9LF	50.4	44	40.4
19	SFW19R-3/4STE9LF	50.4	44	40.4
20	SFW20R-3/4STE9LF	50.4	44	40.4
21	SFW21R-3/4STE9LF	50.4	44	40.4
22	SFW22R-3/4STE9LF	50.4	44	40.4
23	SFW23R-3/4STE9LF	50.4	44	40.4
24	SFW24R-3/4STE9LF	50.4	44	40.4
25	SFW25R-3/4STE9LF	50.4	44	40.4
26	SFW26R-3/4STE9LF	50.4	44	40.4
27	SFW27R-3/4STE9LF	50.4	44	40.4
28	SFW28R-3/4STE9LF	62.4	56	52.4
29	SFW29R-3/4STE9LF	62.4	56	52.4
30	SFW30R-3/4STE9LF	62.4	56	52.4



NOTES

1. THIS PRODUCT IS THE CONNECTOR USED FOR FPC/FFC AND COPEs WITH AUTOMATIC MOUNTING (SMT).
2. THIS CATALOG NO. INDICATES PLASTIC TAPE PACKAGED CONNECTOR.
3. SEE PART DRAWINGS FOR DIMENSIONS E~G.
4. THIS PRODUCT IS THE CONNECTOR WITH CABLE LOCK MECHANISM.

mat'l. code		surface ISO 1302		tolerance ISO 406 ISO 1101		projection		product family	
-		✓						58RF	
ltr	ecn no	dr	date	tolerances unless otherwise specified		MM		title	
B				angles	linear			CAT NO. TABLE FOR PLASTIC TAPE PACKAGED 1mm SPACING SMT CONNECTOR (Cat. No. SFW__R-3/4STE9LF)	
				dr	S.WATANABE	2019-3-25	Amphenol FCI		dwg no
				enr	S.WATANABE	2019-3-25			sheet 5 of 8
				chr	S-H.THIO	2019-3-25			10117478
				appd	Y.KAMEDA	2019-3-25			A4
sheet index		revision sheet						type Product Customer Drawing	

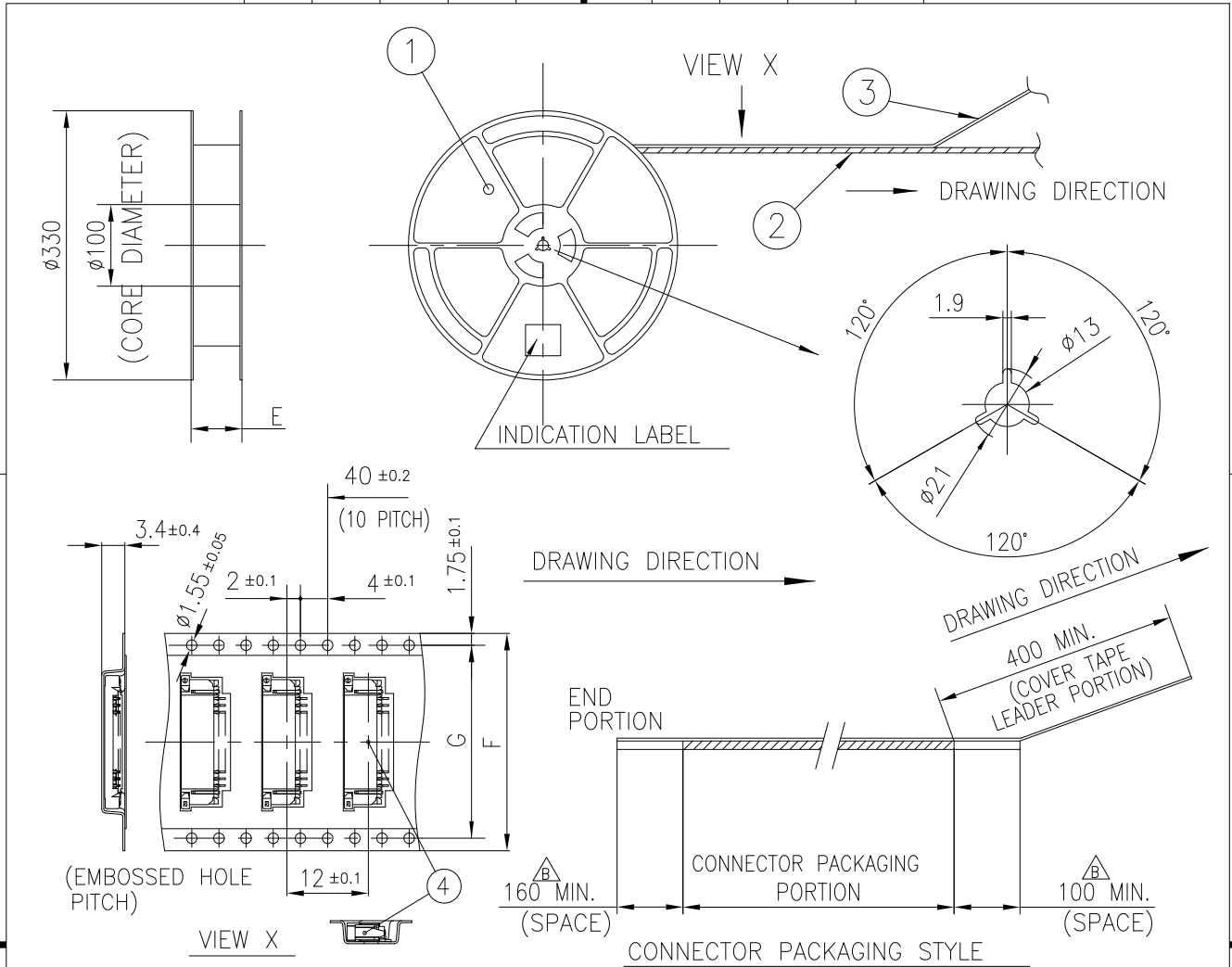


PT. NO.	PARTS NAME	CAT. NO.	MATERIAL	Q'TY	NOTE
1	REEL	_____	POLYSTYRENE	1	COLOR : WHITE or BLACK
2	PLASTIC (EMBOSS) TAPE	_____	△ PS or A-PET	_____	COLOR:TRANSPARENCY
3	COVER	_____	△ POLYESTER,POLYETHYLENE	_____	COLOR:TRANSPARENCY
4	CONNECTOR	SFW__R-3ST__LF	SEE SHEET 3	500	LOWER CONTACT TYPE

NOTES

1. THIS IS PLASTIC TAPE PACKAGED CONNECTOR WITH CABLE LOCK MECHANISM USED FOR FPC/FFC AND COPEs WITH AUTOMATIC MOUNTING (SMT).
2. SEE JIS C 0806 (PACKING OF ELECTRONIC COMPONENTS ON CONTINUOUS TAPES (SURFACE MOUNTING DEVICES)) FOR SHAPE AND DIMENSIONS OF PLASTIC (EMBOSS) TAPE AND REEL.
3. E DIMENSION IS PORTION OF THE CORE.

mat'l. code		surface		tolerance		projection		product family	
-		ISO 1302 ✓		ISO 406 ISO 1101				58RF	
ltr	ecn no	dr	date			tolerances unless otherwise specified		title	
B						angles ±5 linear ±5°		PLASTIC TAPE PACKAGED 1mm SPACING SMT CONNECTOR (Cat. No. SFW__R-3STE9LF)	
			dr	S.WATANABE	2019-3-25			dwg no	
			enr	S.WATANABE	2019-3-25	scale N/A		sheet 6 of 8	
			chr	S-H.THIO	2019-3-25			10117478	
			appd	Y.KAMEDA	2019-3-25				
sheet index		revision sheet						type Product Customer Drawing	



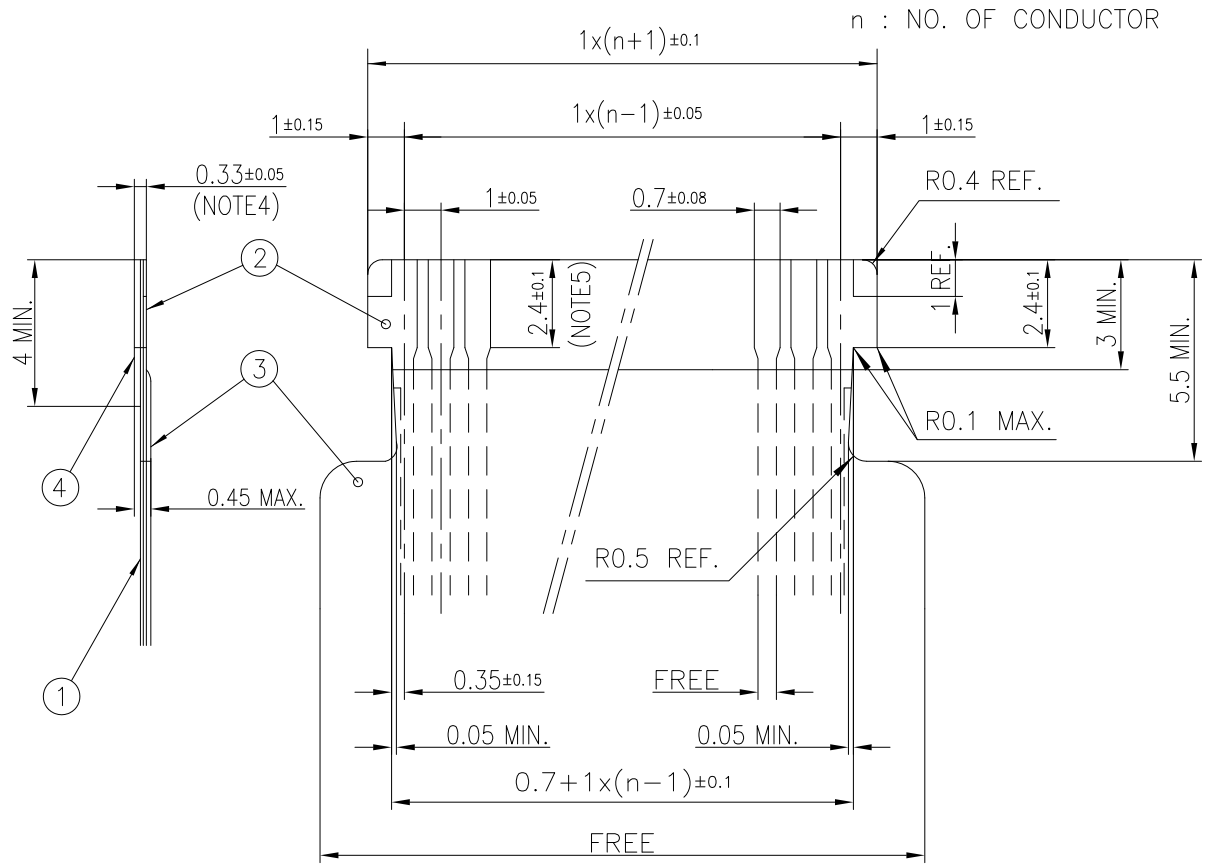
PT. NO.	PARTS NAME	CAT. NO.	MATERIAL	Q'TY	NOTE
1	REEL	—	POLYSTYRENE	1	COLOR : WHITE or BLACK
2	PLASTIC (EMBOSS) TAPE	—	△ PS or A-PET	—	COLOR:TRANSPARENCY
3	COVER	—	△ POLYESTER,POLYETHYLENE	—	COLOR:TRANSPARENCY
4	CONNECTOR	SFW__R-4ST__LF	SEE SHEET 4	500	UPPER CONTACT TYPE

NOTES

- THIS IS PLASTIC TAPE PACKAGED CONNECTOR WITH CABLE LOCK MECHANISM USED FOR FPC/FFC AND COPES WITH AUTOMATIC MOUNTING (SMT).
- SEE JIS C 0806 (PACKING OF ELECTRONIC COMPONENTS ON CONTINUOUS TAPES (SURFACE MOUNTING DEVICES)) FOR SHAPE AND DIMENSIONS OF PLASTIC (EMBOSS) TAPE AND REEL.
- E DIMENSION IS PORTION OF THE CORE.

mat'l. code		surface		tolerance		projection		product family			
—		ISO 1302 ✓		ISO 406 ISO 1101				58RF			
ltr	ecn no	dr	date	tolerances unless otherwise specified				title			
B				angles	±5	MM		PLASTIC TAPE PACKAGED 1mm SPACING SMT CONNECTOR (Cat. No. SFW__R-4STE9LF)			
				linear	±5°	scale N/A		dwg no			
				dr	S.WATANABE	2019-3-25			sheet 7 of 8		
				engr	S.WATANABE	2019-3-25			10117478		size
				chr	S-H.THIO	2019-3-25			A4		
				appd	Y.KAMEDA	2019-3-25			type		Product Customer Drawing
sheet index	revision sheet										

RECOMMENDED CABLE (FPC)



PT. NO.	PARTS NAME	MATERIAL	THICKNESS(um)
1	BASE FILM	POLYIMIDE OR POLYESTER OR EQUAL	25
2	CONDUCTOR	COPPER FOIL(PLATING: TIN OR SOLDER 1um MIN.)	35
3	OVERLAY	POLYIMIDE OR POLYESTER OR EQUAL	—
4	SUPPORTING TAPE	POLYESTER OR POLYIMIDE OR EQUAL	188

NOTES

1. THIS DRAWING INDICATES THE FPC USED THE CONNECTOR WITH CABLE LOCK MECHANISM.
2. NO BURR AT EACH PORTION.
3. NO PEELING IN COMMON USE.
4. TOTAL THICKNESS LIMIT OF EACH MATERIAL (INCLUDING ADHESIVE AGENT) IS SPECIFIED.
5. THIS DIMENSION INDICATES THE RANGE FOR 0.7±0.08 CONDUCTOR WIDTH.

mat'l. code		surface		tolerance		projection		product family	
-		ISO 1302		ISO 406 ISO 1101				58RF	
ltr	ecn no	dr	date		tolerances unless otherwise specified		title		
B					angles linear		RECOMMENDED CABLE (Cat. No. SFW__R-3/4ST__)		
						MM		scale 5:1	
								dwg no sheet 8 of 8 size	
								10117478 A4	
								type Product Customer Drawing	
sheet index		revision sheet							





Компания «ЭлектроПласт» предлагает заключение долгосрочных отношений при поставках импортных электронных компонентов на взаимовыгодных условиях!

Наши преимущества:

- Оперативные поставки широкого спектра электронных компонентов отечественного и импортного производства напрямую от производителей и с крупнейших мировых складов;
- Поставка более 17-ти миллионов наименований электронных компонентов;
- Поставка сложных, дефицитных, либо снятых с производства позиций;
- Оперативные сроки поставки под заказ (от 5 рабочих дней);
- Экспресс доставка в любую точку России;
- Техническая поддержка проекта, помощь в подборе аналогов, поставка прототипов;
- Система менеджмента качества сертифицирована по Международному стандарту ISO 9001;
- Лицензия ФСБ на осуществление работ с использованием сведений, составляющих государственную тайну;
- Поставка специализированных компонентов (Xilinx, Altera, Analog Devices, Intersil, Interpoint, Microsemi, Aeroflex, Peregrine, Syfer, Eurofarad, Texas Instrument, Miteq, Cobham, E2V, MA-COM, Hittite, Mini-Circuits, General Dynamics и др.);

Помимо этого, одним из направлений компании «ЭлектроПласт» является направление «Источники питания». Мы предлагаем Вам помощь Конструкторского отдела:

- Подбор оптимального решения, техническое обоснование при выборе компонента;
- Подбор аналогов;
- Консультации по применению компонента;
- Поставка образцов и прототипов;
- Техническая поддержка проекта;
- Защита от снятия компонента с производства.



#### Как с нами связаться

**Телефон:** 8 (812) 309 58 32 (многоканальный)

**Факс:** 8 (812) 320-02-42

**Электронная почта:** [org@eplast1.ru](mailto:org@eplast1.ru)

**Адрес:** 198099, г. Санкт-Петербург, ул. Калинина, дом 2, корпус 4, литера А.