

## Small, High-precision Enclosed Switch



- Small, High-precision Enclosed Switches with Built-in Basic Switches for High Repeatability and Durability of 10 Million Operations Minimum.
- Same mounting pitch as Z Basic Switch.
- Requires less operating force than conventional limit switches.
- Lineup includes modes with operation indicators for easy maintenance and inspection.
- Approved by EN, UL, CSA, and CCC (Chinese standard). (Ask your OMRON representative for Information on approved models.)



Be sure to read *Safety Precautions* on page 7 and *Safety Precautions for All Limit Switches*.

## Model Number Structure

### Model Number Legend

ZC-□55  
(1)

(1) Actuator

- D: Plunger
- Q: Panel mount plunger
- Q22: Panel mount roller plunger
- Q21: Panel mount crossroller plunger
- N22: Sealed roller plunger
- N21: Sealed crossroller plunger

- W: Short hinge lever
- W1: Hinge lever
- W2: Short hinge roller lever
- W21: Hinge roller lever
- W3: One-way action short hinge roller lever
- W31: One-way action hinge roller lever

## Ordering Information

| Actuator                                | Model    | Approved Standards |     |    |
|---|----------|--------------------|-----|----|
|   |          | UL                 | CSA | EN |
| Plunger                                 | ZC-D55   | ●                  | ●   | ●  |
| Panel mount plunger                     | ZC-Q55   | ●                  | ●   | ●  |
| Panel mount roller plunger              | ZC-Q2255 | ●                  | ●   | ●  |
| Panel mount crossroller plunger         | ZC-Q2155 | ●                  | ●   | ●  |
| Sealed roller plunger                   | ZC-N2255 | ●                  | ●   | ●  |
| Sealed crossroller plunger              | ZC-N2155 | ●                  | ●   | ●  |
| Short hinge lever                       | ZC-W55   | ●                  | ●   | ●  |
| Hinge lever                             | ZC-W155  | ●                  | ●   | ●  |
| Short hinge roller lever                | ZC-W255  | ●                  | ●   | ●  |
| Hinge roller lever                      | ZC-W2155 | ●                  | ●   | ●  |
| One-way action short hinge roller lever | ZC-W355  | ●                  | ●   | ●  |
| One-way action hinge roller lever       | ZC-W3155 | ●                  | ●   | ●  |

Note: 1. Use molded terminal models when using the Switch under one of the following conditions:  
a) dusty, b) high amount of dripping oil, or c) high humidity.  
2. Models are available with lead outlets in three positions: right-hand, left-hand, and underside.

## Specifications

### Approved Standards

| Agency        | Standard               | File No.         |
|---------------|------------------------|------------------|
| UL*           | UL508                  | E76675           |
| TÜV Rheinland | EN60947-1, EN60947-5-1 | J50041904        |
| CCC(CQC)      | GB14048.5              | 2003010303077620 |

Note: Ask your OMRON representative for information on approved models.  
 \* UL certified for CSA C22.2 No. 14.

### Ratings

| Rated voltage | Non-inductive load (A) |    |           |      | Inductive load (A) |    |            |      |
|---------------|------------------------|----|-----------|------|--------------------|----|------------|------|
|               | Resistive load         |    | Lamp load |      | Inductive load     |    | Motor load |      |
|               | NC                     | NO | NC        | NO   | NC                 | NO | NC         | NO   |
| 125 VAC       | 10                     |    | 3         | 1.5  | 10                 |    | 5          | 2.5  |
| 250 VAC       | 10                     |    | 2.5       | 1.25 | 10                 |    | 3          | 1.5  |
| 8 VDC         | 10                     |    | 3         | 1.5  | 6                  |    | 5          | 2.5  |
| 14 VDC        | 10                     |    | 3         | 1.5  | 6                  |    | 5          | 2.5  |
| 30 VDC        | 6                      |    | 3         | 1.5  | 5                  |    | 5          | 2.5  |
| 125 VDC       | 0.5                    |    | 0.4       | 0.4  | 0.05               |    | 0.05       | 0.05 |
| 250 VDC       | 0.25                   |    | 0.2       | 0.2  | 0.03               |    | 0.03       | 0.03 |

| Inrush current | NC | 30 A max. |
|----------------|----|-----------|
|                | NO | 15 A max. |

- Note: 1. The above figures are for steady-state currents.  
 2. Inductive loads have a power factor of 0.4 min. (AC) and a time constant of 7 ms max. (DC).  
 3. Lamp load has an inrush current of 10 times the steady-state current.  
 4. Motor load has an inrush current of 6 times the steady-state current.  
 5. The above ratings were tested under the following conditions according.  
 (1) Ambient temperature: +20±2°C  
 (2) Ambient humidity: 65±5%RH  
 (3) Operating frequency: 20 operations/min.

### Characteristics

|  |  |  |
|--|--|--|
| Degree of protections                    | IP67   |  |
| Durability                               | Mechanical   | 10,000,000 operations min.                                 |
|  | Electrical   | 500,000 operations min.                                    |
| Operating speed                          | 0.05 mm/s to 0.5 m/s *1  |  |
| Operating frequency                      | Mechanical   | 120 operations/min   |
|  | Electrical   | 20 operations/min  |
| Insulation resistance                    | 100 MΩ min. (at 500 VDC)   |  |
| Contact resistance                       | 15 mΩ max. (initial value for the built-in switch when tested alone) |  |
| Dielectric strength                      | Between non-continuous terminals                                     | 1,000 VAC, 50/60 Hz for 1 min                              |
|  | Between each terminal and non-current-carrying metal parts           | 2,000 VAC, 50/60 Hz for 1 min                              |
| Rated insulation voltage (Ui)            | 1,000 VAC  |  |
| Pollution degree (operating environment) | 3 (IEC947-5-1)   |  |
| Short-circuit protective device          | 10 A-fuse type gG (IEC 60269)  |  |
| Protection against electric shock        | Class II   |  |
| Proof tracking index (PTI)               | 175  |  |
| Switch category                          | D (IEC335)   |  |
| Rated operating current (Ie)             | 10 A   |  |
| Rated operating voltage (Ue)             | 250 VAC  |  |
| Vibration resistance                     | Malfunction  | 10 to 55 Hz, 1.5-mm double amplitude *2                    |
| Shock resistance                         | Destruction  | 1,000 m/s <sup>2</sup> max.                                |
|  | Malfunction  | 300 m/s <sup>2</sup> max. (in case of plunger model) *1 *2 |
| Ambient operating temperature            | -10°C to +80°C (with no icing)                                       |  |
| Ambient operating humidity               | 35% to 95%RH   |  |
| Weight                                   | Approx. 92 g (in case of ZC-Q22(21)55)                               |  |

\*1. Only for models with plungers. (Contact your OMRON representative for information on other models.)

\*2. Less than 1 ms under a free state at the operating limits.

### Approved Standard Ratings

#### UL/CSA

#### A300

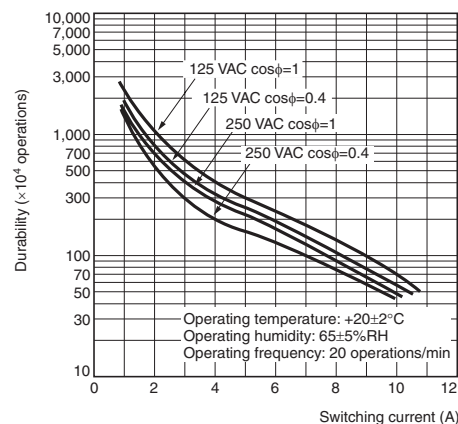
| Voltage | Carry current | Current (A) |       | Volt-amperes (VA) |       |
|---------|---------------|-------------|-------|-------------------|-------|
|         |               | Make        | Break | Make              | Break |
| 120 VAC | 10A           | 60          | 6     | 7,200             | 720   |
| 240 VAC |               | 30          | 3     |                   |       |

TÜVRheinland (EN60947-1, EN60947-5-1),  
 CCC (GB14048.5)

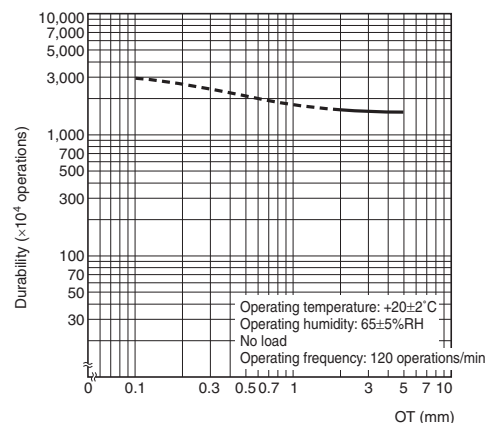
| Applicable category and ratings |
|---------------------------------|
| AC-12 10 A/250 VAC              |

### Engineering Data

#### Electrical Durability



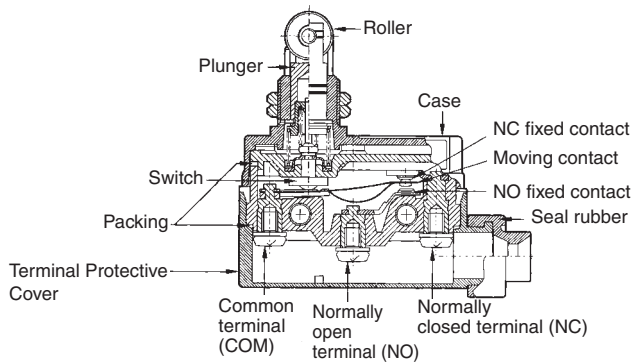
#### Mechanical Durability (for ZC-Q55)



## Structure and Nomenclature

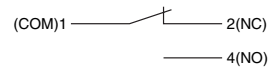
### Structure

Changing the Terminal Protective Cover around allows the cable to be pulled out from either the right or the left.



Note: M4 binding head screws (with toothed washers) are used as the terminal screws.

### Contact Form

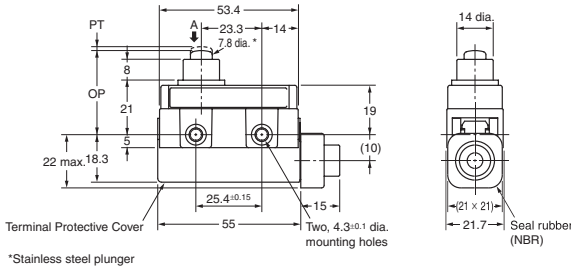


## Dimensions and Operating Characteristics

(Unit: mm)

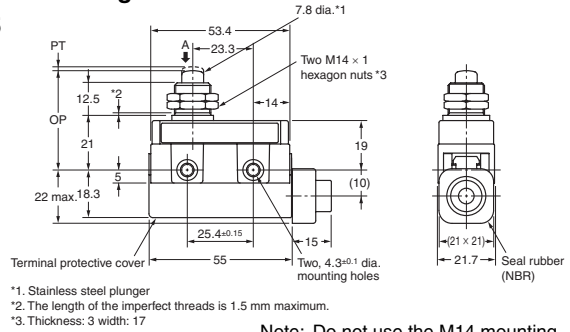
### Plunger

#### ZC-D55



### Panel Mount Plunger

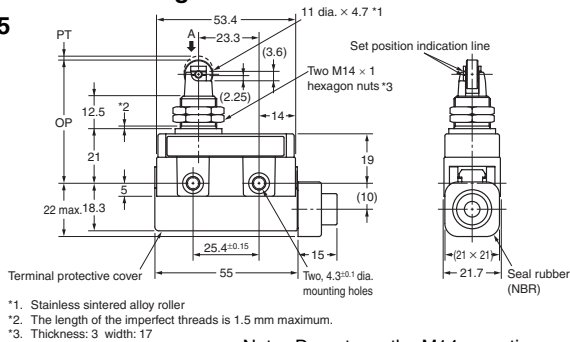
#### ZC-Q55



Note: Do not use the M14 mounting screw and the case mounting hole at the same time.

### Panel Mount Roller Plunger

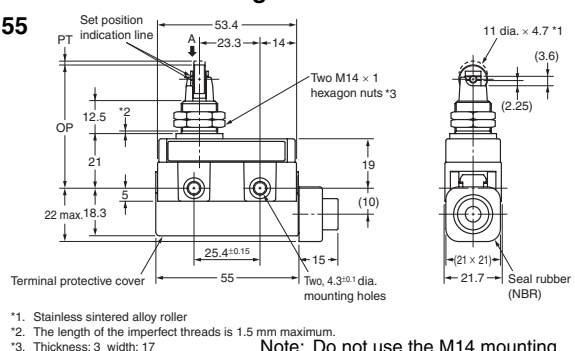
#### ZC-Q2255



Note: Do not use the M14 mounting screw and the case mounting hole at the same time.

### Panel Mount Crossroller Plunger

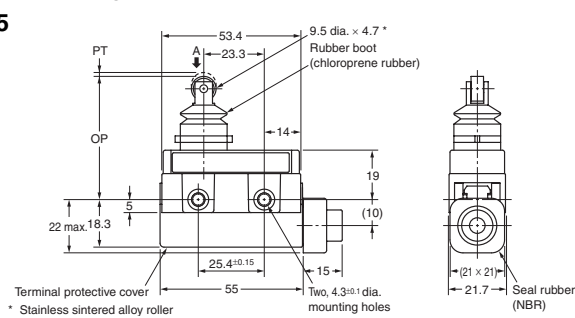
#### ZC-Q2155



Note: Do not use the M14 mounting screw and the case mounting hole at the same time.

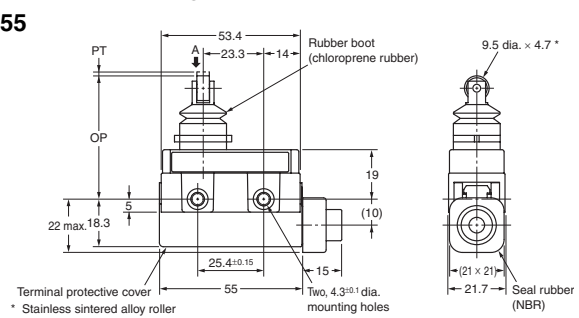
### Sealed Roller Plunger

#### ZC-N2255



### Sealed Crossroller Plunger

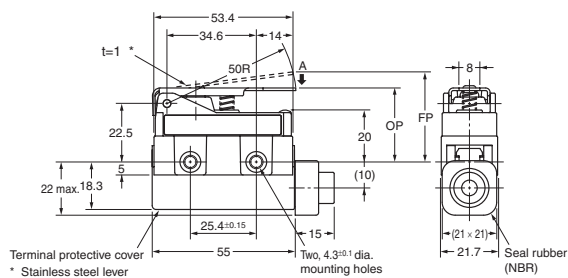
#### ZC-N2155



Note: 1. Unless otherwise specified, a tolerance of  $\pm 0.4$  mm applies to all dimensions.  
2. Operating characteristics are for when the Switch is operated from direction A.

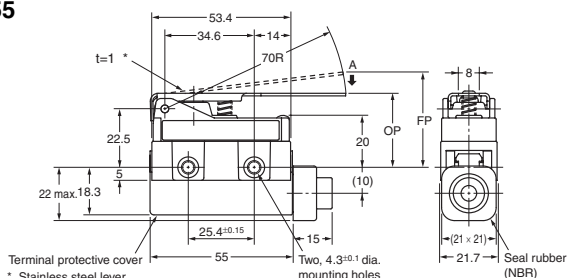
**Short Hinge Roller Lever**

**ZC-W55**



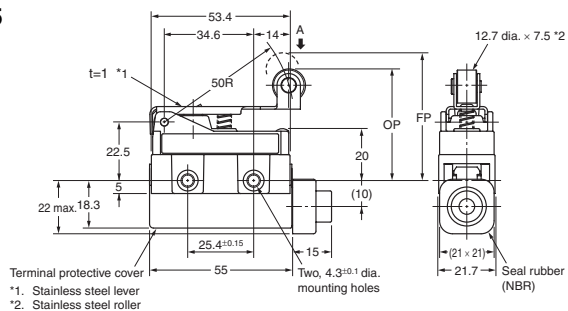
**Hinge Lever**

**ZC-W155**



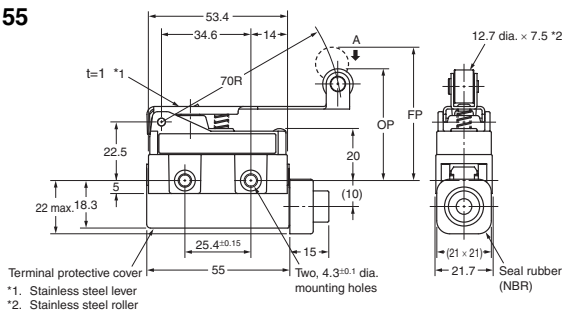
**Short Hinge Roller Lever**

**ZC-W255**



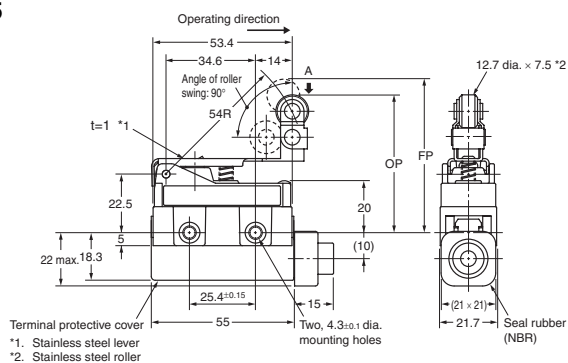
**Hinge Roller Lever**

**ZC-W2155**



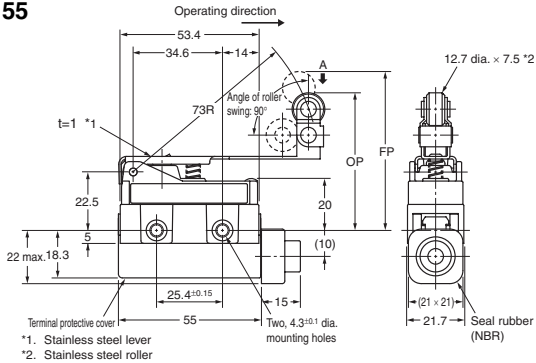
**One-way Action Short Hinge Roller Lever**

**ZC-W355**



**One-way Action Hinge Roller Lever**

**ZC-W3155**



Note: 1. Unless otherwise specified, a tolerance of ±0.4 mm applies to all dimensions.  
2. Operating characteristics are for when the Switch is operated from direction A.

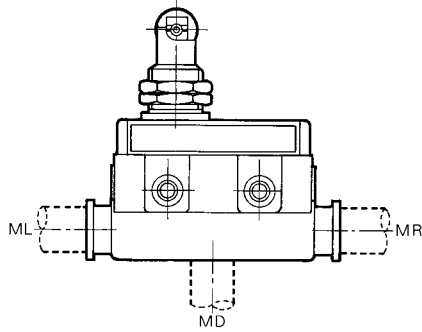
| Operating Characteristics | Model   | ZC-D55      | ZC-Q55      | ZC-Q2255    | ZC-Q2155    | ZC-N2255 *  | ZC-N2155 *  |
|---------------------------|---------|-------------|-------------|-------------|-------------|-------------|-------------|
| Operating force           | OF max. | 11.8 N      | 11.8 N      | 11.8 N      | 11.8 N      | 6.86 N      | 6.86 N      |
| Release force             | RF min. | 4.9 N       | 4.9 N       | 4.9 N       | 4.9 N       | 1.67 N      | 1.67 N      |
| Pretravel                 | PT max. | 1.5 mm      | 1.5 mm      | 1.5 mm      | 1.5 mm      | 1.5 mm      | 1.5 mm      |
| Overtravel                | OT min. | 2.4 mm      | 3 mm        | 3 mm        | 3 mm        | 2.5 mm      | 2.5 mm      |
| Movement Differential     | MD max. | 0.2 mm      | 0.2 mm      | 0.2 mm      | 0.2 mm      | 0.2 mm      | 0.2 mm      |
| Free Position             | FP max. | ---         | ---         | ---         | ---         | ---         | ---         |
| Operating Position        | OP      | 32.4±0.8 mm | 38.2±0.8 mm | 47.4±0.8 mm | 47.4±0.8 mm | 47.4±0.8 mm | 47.4±0.8 mm |

\* Make sure that the permissible OT position is not exceeded.

| Operating Characteristics | Model   | ZC-W55      | ZC-W155     | ZC-W255   | ZC-W2155  | ZC-W355   | ZC-W3155  |
|---------------------------|---------|-------------|-------------|-----------|-----------|-----------|-----------|
| Operating force           | OF max. | 3.92 N      | 2.75 N      | 3.92 N    | 2.75 N    | 3.92 N    | 2.75 N    |
| Release force             | RF min. | 0.78 N      | 0.59 N      | 0.78 N    | 0.59 N    | 0.78 N    | 0.59 N    |
| Pretravel                 | PT max. | ---         | ---         | ---       | ---       | ---       | ---       |
| Overtravel                | OT min. | 6 mm        | 8.4 mm      | 6 mm      | 8.4 mm    | 6 mm      | 8.4 mm    |
| Movement Differential     | MD max. | 1 mm        | 1.4 mm      | 1 mm      | 1.4 mm    | 1 mm      | 1.4 mm    |
| Free Position             | FP max. | 34.7 mm     | 36.7 mm     | 49.2 mm   | 51.3 mm   | 59.2 mm   | 61.2 mm   |
| Operating Position        | OP      | 28.5±1.2 mm | 28.5±1.2 mm | 43±1.2 mm | 43±1.2 mm | 53±1.2 mm | 53±1.2 mm |

**Molded Terminal Models  
(Not Approved by UL, CSA, or EN)**

Use of the molded terminal model is recommended in locations subject to excessive dust, oil drips, or moisture. All types of ZC Switches can be fabricated into a molded terminal version. In this case, the molded terminal model will have the same dimensions and operating characteristics as the basic model from which the molded terminal model is fabricated.



**Suffix by Location of Lead Outlet**

| Location of lead output | Model (Suffix) |
|-------------------------|----------------|
|                         | COM, NC, NO    |
| Right-hand              | -MR            |
| Left-hand               | -ML            |
| Underside               | -MD            |

Note: The suffixes on the left can be added to the model numbers given on page 1 to specify molded terminals.

**Lead Supplies**

| Leads                                 | Speci-<br>fica-<br>tion | Nominal<br>cross-sectional<br>area<br>(mm <sup>2</sup> ) | External<br>diameter<br>(mm) | Terminal<br>connec-<br>tions          | Length<br>(m) |
|---------------------------------------|-------------------------|--|------------------------------|---------------------------------------|---------------|
| V.C.T.<br>(vinyl<br>cabtire<br>cable) |                         | 1.25   | 3 conductor:<br>10.5 dia.    | Black:<br>COM<br>White: NO<br>Red: NC | 1, 3          |

Note: When placing your order for the Switch, specify the required length of V.C.T. cable in addition to the model number of the Switch. Consult with your OMRON representative for other types of lead wires and for lead wires longer than 3 m.

**How to Order**

Example:

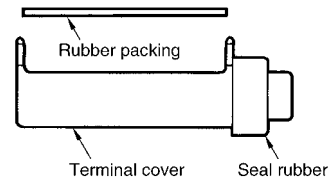
Standard type: ZC-Q2255

Location of lead output: Right side

Length of lead: 1 m (V.C.T. lead)

When placing your order for the above Switch, specify the model number as ZC-Q2255-MR VCT 1M.

**Terminal Protective Cover, Seal Rubber, and Rubber Packing  
(The Switch is equipped with these 3 items as a standard.)**



- ZC Terminal Cover (Product code: ZC55-0002H)
- ZC Seal Rubber (Product code: SC-1404C)
- ZC Rubber Packing (Product code: ZC55-0003F)

### Operation Indicator-equipped Models (Not Approved by UL, CSA, or EN)

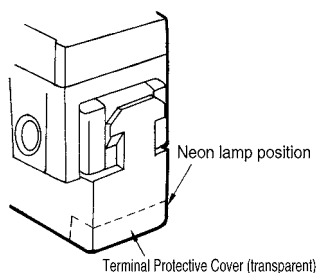
- All the models can be equipped upon request with a operation indicator to facilitate maintenance and inspection.
- Because the indicator is incorporated in the Terminal Protective Cover, the dimensions of the Limit Switch are not affected. In this model, the lead wire is to be connected to the screw terminal. (A connecting washer is provided on the tip of the lead wire). The lead wire can be connected to either the NC or NO terminal.
- Operating characteristics are the same as the standard model from which the operation indicator equipped model is fabricated.

#### (For AC)

- The operating voltage range is from 90 to 250 VAC.
- The dimensions are the same as the standard type. The top of the Terminal Protective Cover is transparent to allow checking the operation easily.
- When placing your order for the indicator equipped, AC-operated model, add suffix "L" to the end of the model number.

Example:

Standard type: ZC-Q2255  
 Indicator equipped type: ZC-Q2255-L

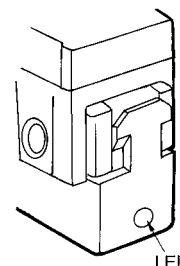


#### (For DC)

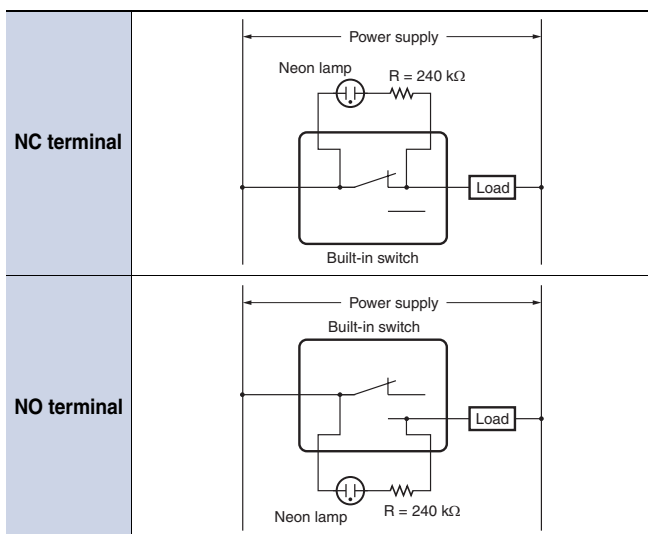
- The DC-operated is provided with an LED indicator.
- There is no protective structure.
- Since a rectifier stack is incorporated into the unit to permit reversing the polarity, this type can also operate on AC power source.
- The LED projects from the housing for easy visibility.
- When placing your order, add suffix "L2" or "L4" to the model number of the standard type.

Example:

Standard type: ZC-Q2255  
 Indicator equipped type: ZC-Q2255-L2



#### Contact Circuit

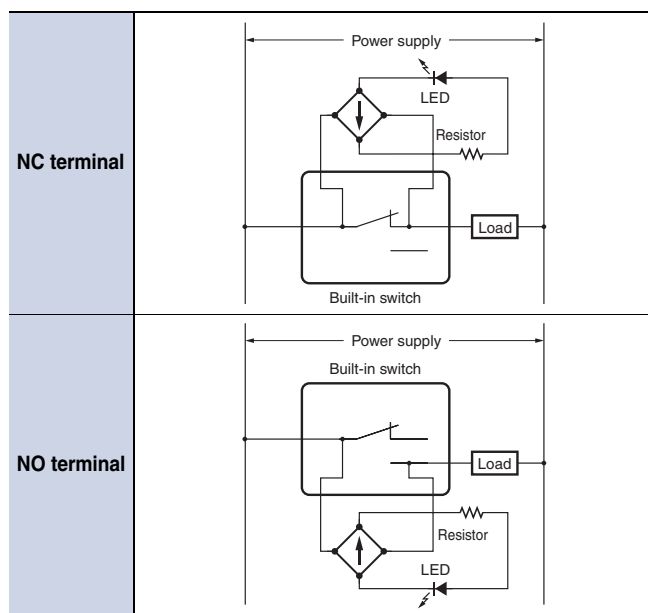


Note: If the wiring is as shown above, the operation of the respective parts will be as shown in the following table. The neon lamp is not wired when the Switch is delivered. Connect it as required.

| Contact | Neon lamp | Load             | Actuator         |
|---------|-----------|------------------|------------------|
| NC      | ON        | Does not operate | Operates         |
|         | OFF       | Operates         | Does not operate |
| NO      | ON        | Does not operate | Does not operate |
|         | OFF       | Operates         | Operates         |

| Model | Voltage rating (V) | Leakage current (mA) | Internal resistance (kΩ) |
|-------|--------------------|----------------------|--------------------------|
| L2    | 12                 | Approx.2.4           | 4.3                      |
| L4    | 24                 | Approx.1.2           | 18                       |

#### Contact Circuit



Note: If the wiring is as shown above, the operation of the respective parts will be as shown in the following table. The LED terminals are not wired when the Switch is delivered. Connect it as required.

| Contact | LED | Load             | Actuator         |
|---------|-----|------------------|------------------|
| NC      | ON  | Does not operate | Operates         |
|         | OFF | Operates         | Does not operate |
| NO      | ON  | Does not operate | Does not operate |
|         | OFF | Operates         | Operates         |

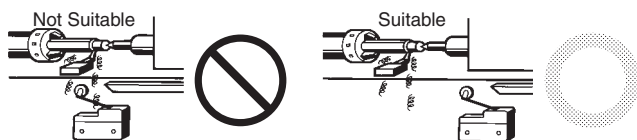
## Safety Precautions

Refer to *Safety Precautions for All Limit Switches*.

### Precautions for Correct Use

#### Operating Environment

- Seal material may deteriorate if a Switch is used outdoor or where subject to special cutting oils, solvents, or chemicals. Always appraise performance under actual application conditions and set suitable maintenance and replacement periods.
- Install Switches where they will not be directly subject to cutting chips, dust, or dirt. The Actuator and Switch must also be protected from the accumulation of cutting chips or sludge.



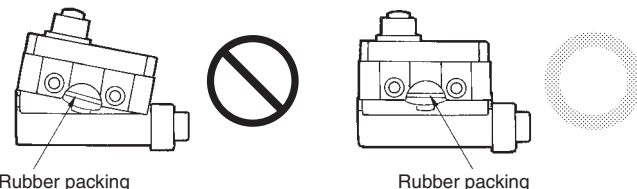
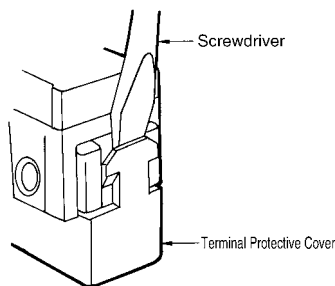
- Constantly subjecting a Switch to vibration or shock can result in wear, which can lead to contact interference with contacts, operation failure, reduced durability, and other problems. Excessive vibration or shock can lead to false contact operation or damage. Install Switches in locations not subject to shock and vibration and in orientations that will not produce resonance.
- The Switches have physical contacts. Using them in environments containing silicon gas will result in the formation of silicon oxide (SiO<sub>2</sub>) due to arc energy. If silicon oxide accumulates on the contacts, contact interference can occur. If silicon oil, silicon filling agents, silicon cables, or other silicon products are present near the Switch, suppress arcing with contact protective circuits (surge killers) or remove the source of silicon gas.

#### Dog Angle

When operating the roller type, be sure to set the dog angle to less than 30° (even when operating at a low speed). Operating the model at a dog angle exceeding 30° will soon cause abrasion or damage. Do not apply a twisting force to the plunger. Set the OT to 70% to 100% of the specified value so that the actuator will not exceed the OT.

#### Handling

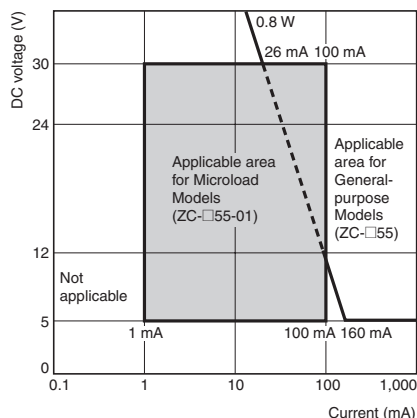
- When detaching the Terminal Protective Cover, insert a screwdriver and apply a force in the opening direction. Do not use excess force to remove the cover. Doing so may cause deformation in the fitting section and reduce the holding force.
- When mounting the Terminal Protective Cover to the case, align the cover on the case and then press the cover down to mount it firmly. If the cover is pressed down in an inclined position, rubber packing will deform and thus affect the sealing capability.



- A 8.5-dia. to 10.5-dia. cable can be applied as seal rubber for the lead wire outlet. (Use two- or three-core cable of VCT1.25 mm<sup>2</sup>.)
- Use weather-proof rubber (chloroprene rubber) as seal rubber for the ZC-N22(21)55.

#### Micro Load Models

Contact failure may occur if a General-purpose Switch is used to switch a microload circuit. Use Switches within the areas shown in the following chart. Even when using Microload Switches within the area shown below, contact wear will become more extreme with loads that generate surge current when switching and durability will be adversely affected. If necessary, insert a contact protective circuit. Microloads are indicated by N standard reference values. This value represents the failure rate at a 60% ( $\lambda_{60}$ ) reliability level. (JIS C5003) The equation  $\lambda_{60} = 0.5 \times 10^{-6}/\text{operations}$  indicates that a failure rate of 1/2,000,000 operations can be expected at a reliability level of 60%.

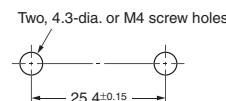


| Model                   | ZC-□55-01 | ZC-□55      |
|-------------------------|-----------|-------------|
| Minimum applicable load | 5 VDC 1mA | 5 VDC 160mA |

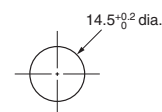
#### Mounting

- When mounting the Switch with screws on a side surface, fasten the Switch with M4 screws and use washers, spring washers, etc., to ensure secure mounting.
- When mounting the Panel Mount-type Enclosed Switch (ZC-Q55, ZC-Q2255, or ZC-Q2155) with screws on a side surface, remove the hexagonal nuts from the actuator.

#### Mounting Holes



#### Mounting Holes



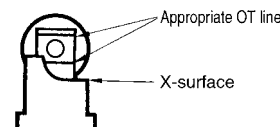
#### Appropriate Tightening Torque

A loose screw may result in a malfunction. Be sure to tighten each screw to the proper tightening torque as shown below.

| No. | Type                 | Appropriate Tightening Torque |
|-----|----------------------|-------------------------------|
| (1) | Terminal screw       | 0.78 to 1.18 N·m              |
| (2) | Panel mounting screw | 4.90 to 7.84 N·m              |
| (3) | Side mounting screw  | 1.18 to 1.47 N·m              |

#### Operation

With the ZC-Q22(21)55, an appropriate OT line is marked on the plunger. Set the OT so that it is between the two X-surface lines.



## Read and Understand This Catalog

Please read and understand this catalog before purchasing the products. Please consult your OMRON representative if you have any questions or comments.

## Warranty and Limitations of Liability

### WARRANTY

OMRON's exclusive warranty is that the products are free from defects in materials and workmanship for a period of one year (or other period if specified) from date of sale by OMRON.

OMRON MAKES NO WARRANTY OR REPRESENTATION, EXPRESS OR IMPLIED, REGARDING NON-INFRINGEMENT, MERCHANTABILITY, OR FITNESS FOR PARTICULAR PURPOSE OF THE PRODUCTS. ANY BUYER OR USER ACKNOWLEDGES THAT THE BUYER OR USER ALONE HAS DETERMINED THAT THE PRODUCTS WILL SUITABLY MEET THE REQUIREMENTS OF THEIR INTENDED USE. OMRON DISCLAIMS ALL OTHER WARRANTIES, EXPRESS OR IMPLIED.

### LIMITATIONS OF LIABILITY

OMRON SHALL NOT BE RESPONSIBLE FOR SPECIAL, INDIRECT, OR CONSEQUENTIAL DAMAGES, LOSS OF PROFITS OR COMMERCIAL LOSS IN ANY WAY CONNECTED WITH THE PRODUCTS, WHETHER SUCH CLAIM IS BASED ON CONTRACT, WARRANTY, NEGLIGENCE, OR STRICT LIABILITY.

In no event shall the responsibility of OMRON for any act exceed the individual price of the product on which liability is asserted.

IN NO EVENT SHALL OMRON BE RESPONSIBLE FOR WARRANTY, REPAIR, OR OTHER CLAIMS REGARDING THE PRODUCTS UNLESS OMRON'S ANALYSIS CONFIRMS THAT THE PRODUCTS WERE PROPERLY HANDLED, STORED, INSTALLED, AND MAINTAINED AND NOT SUBJECT TO CONTAMINATION, ABUSE, MISUSE, OR INAPPROPRIATE MODIFICATION OR REPAIR.

## Application Considerations

### SUITABILITY FOR USE

OMRON shall not be responsible for conformity with any standards, codes, or regulations that apply to the combination of products in the customer's application or use of the products.

At the customer's request, OMRON will provide applicable third party certification documents identifying ratings and limitations of use that apply to the products. This information by itself is not sufficient for a complete determination of the suitability of the products in combination with the end product, machine, system, or other application or use.

The following are some examples of applications for which particular attention must be given. This is not intended to be an exhaustive list of all possible uses of the products, nor is it intended to imply that the uses listed may be suitable for the products:

- Outdoor use, uses involving potential chemical contamination or electrical interference, or conditions or uses not described in this catalog.
- Nuclear energy control systems, combustion systems, railroad systems, aviation systems, medical equipment, amusement machines, vehicles, safety equipment, and installations subject to separate industry or government regulations.
- Systems, machines, and equipment that could present a risk to life or property.

Please know and observe all prohibitions of use applicable to the products.

NEVER USE THE PRODUCTS FOR AN APPLICATION INVOLVING SERIOUS RISK TO LIFE OR PROPERTY WITHOUT ENSURING THAT THE SYSTEM AS A WHOLE HAS BEEN DESIGNED TO ADDRESS THE RISKS, AND THAT THE OMRON PRODUCTS ARE PROPERLY RATED AND INSTALLED FOR THE INTENDED USE WITHIN THE OVERALL EQUIPMENT OR SYSTEM.

### PROGRAMMABLE PRODUCTS

OMRON shall not be responsible for the user's programming of a programmable product, or any consequence thereof.

## Disclaimers

### CHANGE IN SPECIFICATIONS

Product specifications and accessories may be changed at any time based on improvements and other reasons.

It is our practice to change model numbers when published ratings or features are changed, or when significant construction changes are made. However, some specifications of the products may be changed without any notice. When in doubt, special model numbers may be assigned to fix or establish key specifications for your application on your request. Please consult with your OMRON representative at any time to confirm actual specifications of purchased products.

### DIMENSIONS AND WEIGHTS

Dimensions and weights are nominal and are not to be used for manufacturing purposes, even when tolerances are shown.

### PERFORMANCE DATA

Performance data given in this catalog is provided as a guide for the user in determining suitability and does not constitute a warranty. It may represent the result of OMRON's test conditions, and the users must correlate it to actual application requirements. Actual performance is subject to the OMRON Warranty and Limitations of Liability.

### ERRORS AND OMISSIONS

The information in this document has been carefully checked and is believed to be accurate; however, no responsibility is assumed for clerical, typographical, or proofreading errors, or omissions.

2008.11

In the interest of product improvement, specifications are subject to change without notice.

**OMRON Corporation**  
Industrial Automation Company

<http://www.ia.omron.com/>

(c)Copyright OMRON Corporation 2008 All Right Reserved.





Компания «ЭлектроПласт» предлагает заключение долгосрочных отношений при поставках импортных электронных компонентов на взаимовыгодных условиях!

Наши преимущества:

- Оперативные поставки широкого спектра электронных компонентов отечественного и импортного производства напрямую от производителей и с крупнейших мировых складов;
- Поставка более 17-ти миллионов наименований электронных компонентов;
- Поставка сложных, дефицитных, либо снятых с производства позиций;
- Оперативные сроки поставки под заказ (от 5 рабочих дней);
- Экспресс доставка в любую точку России;
- Техническая поддержка проекта, помощь в подборе аналогов, поставка прототипов;
- Система менеджмента качества сертифицирована по Международному стандарту ISO 9001;
- Лицензия ФСБ на осуществление работ с использованием сведений, составляющих государственную тайну;
- Поставка специализированных компонентов (Xilinx, Altera, Analog Devices, Intersil, Interpoint, Microsemi, Aeroflex, Peregrine, Syfer, Eurofarad, Texas Instrument, Miteq, Cobham, E2V, MA-COM, Hittite, Mini-Circuits, General Dynamics и др.);

Помимо этого, одним из направлений компании «ЭлектроПласт» является направление «Источники питания». Мы предлагаем Вам помощь Конструкторского отдела:

- Подбор оптимального решения, техническое обоснование при выборе компонента;
- Подбор аналогов;
- Консультации по применению компонента;
- Поставка образцов и прототипов;
- Техническая поддержка проекта;
- Защита от снятия компонента с производства.



#### Как с нами связаться

**Телефон:** 8 (812) 309 58 32 (многоканальный)

**Факс:** 8 (812) 320-02-42

**Электронная почта:** [org@eplast1.ru](mailto:org@eplast1.ru)

**Адрес:** 198099, г. Санкт-Петербург, ул. Калинина, дом 2, корпус 4, литера А.