

## Thick Film Resistor/Capacitor Networks, Single-In-Line, Conformal Coated SIP



### FEATURES

- Isolated and bussed schematics available
- Thick film resistors
- NP0 or X7R capacitors for line terminator
- Wide operating temperature range (- 55 °C to 125 °C)
- Custom Resistor/Capacitor schematics available
- Material categorization: For definitions of compliance please see [www.vishay.com/doc?99912](http://www.vishay.com/doc?99912)



**RoHS\***  
COMPLIANT  
HALOGEN  
**FREE**

### Note

\* Lead (Pb)-containing terminations are not RoHS-compliant. Exemptions may apply.

STANDARD ELECTRICAL SPECIFICATIONS									
MODEL	SCHEMATIC	RESISTOR CHARACTERISTICS				CAPACITOR CHARACTERISTICS			
		POWER RATING <i>P</i> <sub>70 °C</sub> W	RESISTANCE RANGE Ω	RESISTANCE TOLERANCE <sup>(1)</sup> ± %	TEMP. COEFF. ± ppm/°C	TYPE <sup>(2)</sup>	CAPACITANCE RANGE	CAPACITANCE TOLERANCE <sup>(3)</sup> ± %	CAPACITANCE VOLTAGE V <sub>bc</sub>
TRC	01	0.20	10 to 1M	1, 2, 5	150	NP0	33 pF to 3900 pF	10, 20	50
						X7R	470 pF to 0.1 μF	10, 20	
	02	0.20	10 to 1M	1, 2, 5	150	NP0	33 pF to 3900 pF	10, 20	50
						X7R	470 pF to 0.1 μF	10, 20	
	09	0.20	10 to 1M	1, 2, 5	150	NP0	33 pF to 3900 pF	10, 20	50
						X7R	470 pF to 0.1 μF	10, 20	

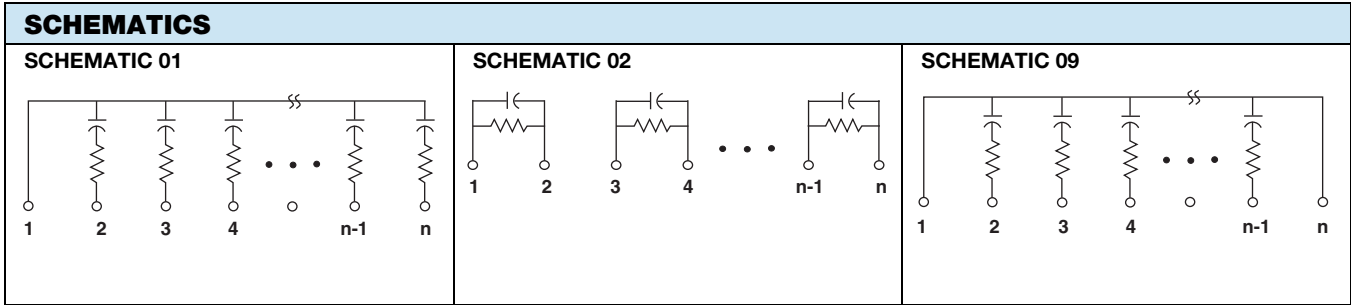
### Notes

- (1) ± 2 % standard, ± 1 % and ± 5 % available  
 (2) NP0 capacitors may be substituted for X7R capacitors  
 (3) Tighter tolerances available on request

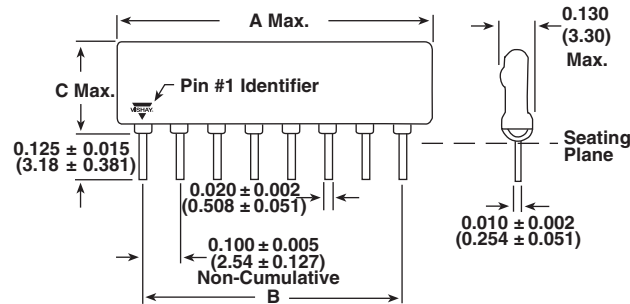
GLOBAL PART NUMBER INFORMATION																			
New Global Part Numbering: TRC0801N101J560KTB (preferred part number format)																			
	<b>T</b>	<b>R</b>	<b>C</b>	<b>0</b>	<b>8</b>	<b>0</b>	<b>1</b>	<b>N</b>	<b>1</b>	<b>0</b>	<b>1</b>	<b>J</b>	<b>5</b>	<b>6</b>	<b>0</b>	<b>K</b>	<b>T</b>	<b>B</b>	
GLOBAL MODEL	PIN COUNT	SCHEMATIC	CHARACTERISTICS	RESISTANCE VALUE	RESISTANCE TOLERANCE	CAPACITANCE VALUE	CAPACITANCE TOLERANCE	TERMINAL FINISH	PACKAGING										
TRC	06 to 12 pin available 06 = 6 pin 08 = 8 pin 12 = 12 pin	01 02 09	N = NP0 X = X7R	2 digit significant figure, followed by a multiplier 101 = 100 Ω 220 = 22 Ω 102 = 1 kΩ	F = 1 % G = 2 % J = 5 %	(In picofarads) 2 digit significant figure, followed by a multiplier 101 = 100 pF 392 = 3000 pF 104 = 0.1 μF	K = 10 % M = 20 %	T = Sn90/Pb10 C = Sn95.5/Ag3.9/Cu0.6	B = Bulk										
Historical Part Numbering: TRC0801101J560KS10 (will continue to be accepted)																			
TRC	08	01	101	J	560	K	S10												
HISTORICAL MODEL	PIN COUNT	SCHEMATIC	RESISTANCE VALUE	RESISTANCE TOLERANCE	CAPACITANCE VALUE	CAPACITANCE TOLERANCE	TERMINAL FINISH												

### Notes

- For additional information on packaging, refer to the Through-hole Network Packaging document ([www.vishay.com/doc?31542](http://www.vishay.com/doc?31542)).


**Note**

- Custom schematics available

**DIMENSIONS** in inches (millimeters)


NUMBER OF PINS	<b>A</b> (Max.)	<b>B</b> ± 0.005 (0.127)	<b>C</b> (Max.)
6	0.590 (14.99)	0.500 (12.70)	0.350 (8.89)
7	0.690 (17.53)	0.600 (15.24)	0.350 (8.89)
8	0.790 (20.07)	0.700 (17.78)	0.350 (8.89)
9	0.890 (22.61)	0.800 (20.32)	0.350 (8.89)
10	0.990 (25.15)	0.900 (22.86)	0.350 (8.89)
11	1.09 (27.69)	1.00 (25.40)	0.350 (8.89)
12	1.19 (30.23)	1.10 (27.94)	0.350 (8.89)

**Note**

- Other sizes available



## Disclaimer

ALL PRODUCT, PRODUCT SPECIFICATIONS AND DATA ARE SUBJECT TO CHANGE WITHOUT NOTICE TO IMPROVE RELIABILITY, FUNCTION OR DESIGN OR OTHERWISE.

Vishay Intertechnology, Inc., its affiliates, agents, and employees, and all persons acting on its or their behalf (collectively, "Vishay"), disclaim any and all liability for any errors, inaccuracies or incompleteness contained in any datasheet or in any other disclosure relating to any product.

Vishay makes no warranty, representation or guarantee regarding the suitability of the products for any particular purpose or the continuing production of any product. To the maximum extent permitted by applicable law, Vishay disclaims (i) any and all liability arising out of the application or use of any product, (ii) any and all liability, including without limitation special, consequential or incidental damages, and (iii) any and all implied warranties, including warranties of fitness for particular purpose, non-infringement and merchantability.

Statements regarding the suitability of products for certain types of applications are based on Vishay's knowledge of typical requirements that are often placed on Vishay products in generic applications. Such statements are not binding statements about the suitability of products for a particular application. It is the customer's responsibility to validate that a particular product with the properties described in the product specification is suitable for use in a particular application. Parameters provided in datasheets and/or specifications may vary in different applications and performance may vary over time. All operating parameters, including typical parameters, must be validated for each customer application by the customer's technical experts. Product specifications do not expand or otherwise modify Vishay's terms and conditions of purchase, including but not limited to the warranty expressed therein.

Except as expressly indicated in writing, Vishay products are not designed for use in medical, life-saving, or life-sustaining applications or for any other application in which the failure of the Vishay product could result in personal injury or death. Customers using or selling Vishay products not expressly indicated for use in such applications do so at their own risk. Please contact authorized Vishay personnel to obtain written terms and conditions regarding products designed for such applications.

No license, express or implied, by estoppel or otherwise, to any intellectual property rights is granted by this document or by any conduct of Vishay. Product names and markings noted herein may be trademarks of their respective owners.

## Material Category Policy

**Vishay Intertechnology, Inc. hereby certifies that all its products that are identified as RoHS-Compliant fulfill the definitions and restrictions defined under Directive 2011/65/EU of The European Parliament and of the Council of June 8, 2011 on the restriction of the use of certain hazardous substances in electrical and electronic equipment (EEE) - recast, unless otherwise specified as non-compliant.**

**Please note that some Vishay documentation may still make reference to RoHS Directive 2002/95/EC. We confirm that all the products identified as being compliant to Directive 2002/95/EC conform to Directive 2011/65/EU.**

**Vishay Intertechnology, Inc. hereby certifies that all its products that are identified as Halogen-Free follow Halogen-Free requirements as per JEDEC JS709A standards. Please note that some Vishay documentation may still make reference to the IEC 61249-2-21 definition. We confirm that all the products identified as being compliant to IEC 61249-2-21 conform to JEDEC JS709A standards.**



Компания «ЭлектроПласт» предлагает заключение долгосрочных отношений при поставках импортных электронных компонентов на взаимовыгодных условиях!

Наши преимущества:

- Оперативные поставки широкого спектра электронных компонентов отечественного и импортного производства напрямую от производителей и с крупнейших мировых складов;
- Поставка более 17-ти миллионов наименований электронных компонентов;
- Поставка сложных, дефицитных, либо снятых с производства позиций;
- Оперативные сроки поставки под заказ (от 5 рабочих дней);
- Экспресс доставка в любую точку России;
- Техническая поддержка проекта, помощь в подборе аналогов, поставка прототипов;
- Система менеджмента качества сертифицирована по Международному стандарту ISO 9001;
- Лицензия ФСБ на осуществление работ с использованием сведений, составляющих государственную тайну;
- Поставка специализированных компонентов (Xilinx, Altera, Analog Devices, Intersil, Interpoint, Microsemi, Aeroflex, Peregrine, Syfer, Eurofarad, Texas Instrument, Miteq, Cobham, E2V, MA-COM, Hittite, Mini-Circuits, General Dynamics и др.);

Помимо этого, одним из направлений компании «ЭлектроПласт» является направление «Источники питания». Мы предлагаем Вам помощь Конструкторского отдела:

- Подбор оптимального решения, техническое обоснование при выборе компонента;
- Подбор аналогов;
- Консультации по применению компонента;
- Поставка образцов и прототипов;
- Техническая поддержка проекта;
- Защита от снятия компонента с производства.



#### Как с нами связаться

**Телефон:** 8 (812) 309 58 32 (многоканальный)

**Факс:** 8 (812) 320-02-42

**Электронная почта:** [org@eplast1.ru](mailto:org@eplast1.ru)

**Адрес:** 198099, г. Санкт-Петербург, ул. Калинина, дом 2, корпус 4, литера А.