

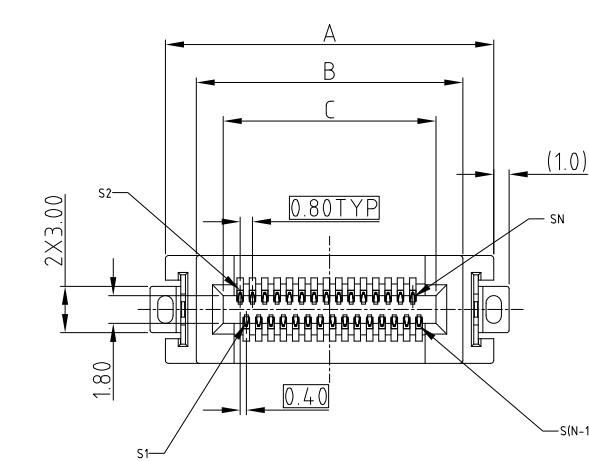
This document is the property of Amphenol Corporation and is delivered on the express condition that it is not to be disclosed, reproduced or used, in whole or in part, for manufacture or sale by anyone other than Amphenol Corporation without its prior consent, & that no right is granted to disclose or to use any information in this document.

CUSTOMER DRAWING

| REVISIONS | | | | |
|-----------|--------|----------------|-------------|----------|
| SYM | ECN | DESCRIPTION | DATE | APPROVED |
| 7 | CD1275 | UPDATE DRAWING | Apr.25,2018 | |

D
C
B
A

D
C
B
A



PART NUMBER SYSTEM
CEXXXXXX011011X

SIGNAL SPEED/IMPEDANCE
1: BELOW 16Gbps
2: 16~32Gbps WITH 85 ohm

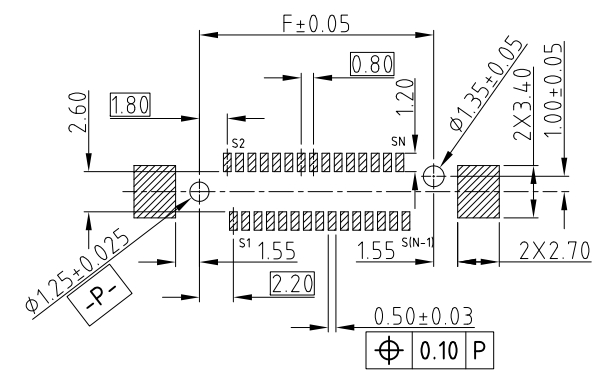
CARD THICKNESS
0: 1.60MM

GUIDE HOLE
0: WITHOUT GUIDE HOLE
G: WITH GUIDE HOLE

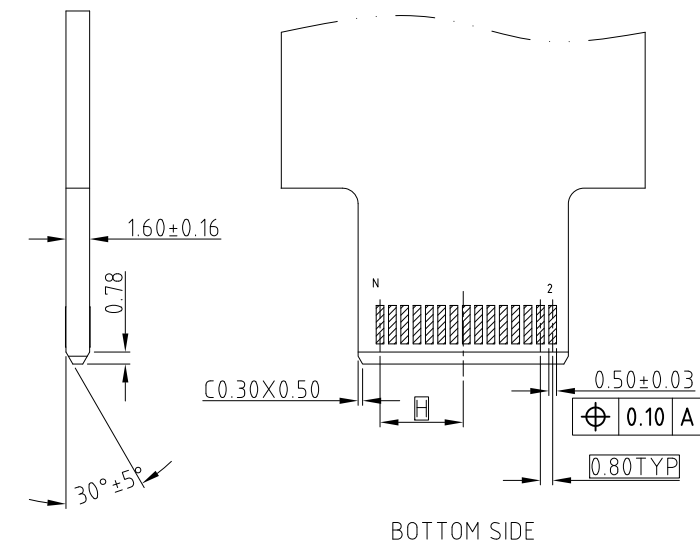
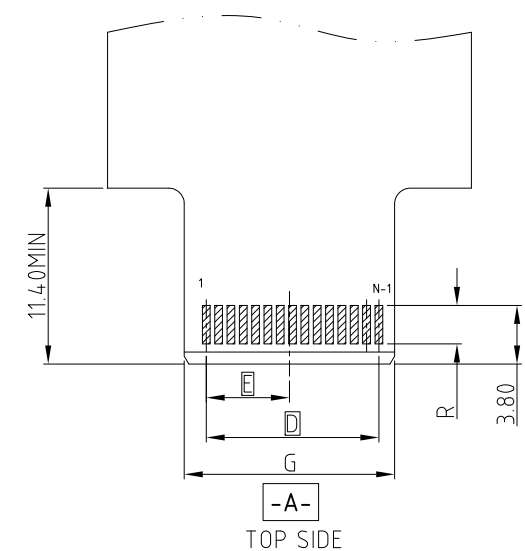
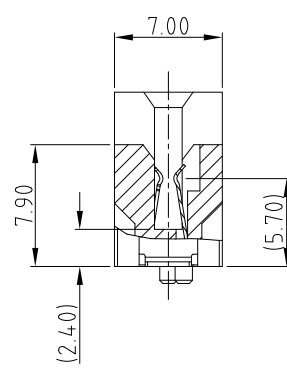
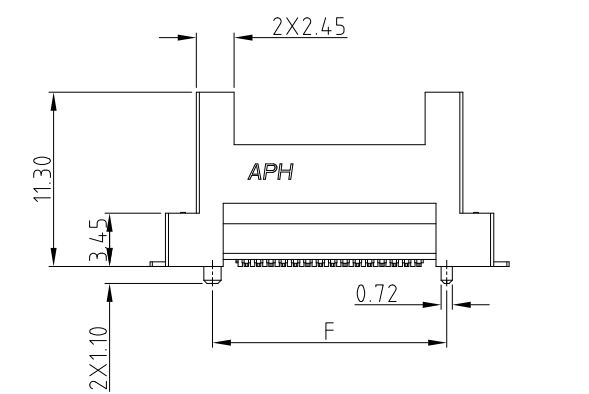
PLATING SPEC
1: 0.76um Au
2: 0.38um Au
3: GOLD FLASH
4: 0.76umPdNi +GF

POWER PIN COUNT
0: WITHOUT POWER PIN
2: 2PIN
4: 4PIN
6: 6PIN

SIGNAL PIN COUNT
000: 0 PIN ; 080: 80PIN
020: 20PIN ; 100: 100PIN
026: 26PIN ; 120: 120PIN
040: 40PIN ; 140: 140PIN
050: 50PIN ; 160: 160PIN
060: 60PIN ; 180: 180PIN
200: 200PIN



RECOMMEND SOLDER PCB LAYOUT
GENERAL TOLERANCE ±0.05MM



RECOMMEND MATING CARD, THICKNESS=1.60±0.16MM
GENERAL TOLERANCE ±0.05MM



| SYSTEM | DIM R |
|-----------|----------------------|
| IMPEDANCE | (GOLD FINGER LENGTH) |
| 85 ohm | 2.50 |

| PIN COUNT | DIMENSION | | | | | | | |
|-----------|-----------|-------|-------|-------|------|-------|-------|------|
| | A | B | C | D | E | F | G | H |
| 20 | 17.30 | 13.30 | 9.80 | 7.20 | 3.40 | 11.20 | 9.65 | 3.40 |
| 26 | 19.70 | 15.70 | 12.20 | 9.60 | 4.60 | 13.60 | 12.05 | 4.60 |
| 40 | 25.30 | 21.30 | 17.80 | 15.20 | 7.40 | 19.20 | 17.65 | 7.40 |
| 50 | 29.30 | 25.30 | 21.80 | 19.20 | 9.40 | 23.20 | 21.65 | 9.40 |

- NOTE:**
- MATERIAL:**
HOUSING: HIGH TEMPERATURE THERMOPLASTIC BLACK UL94-V0
CONTACT: COPPER ALLOY
BOARDLOCK: SPCC
 - PLATING:**
CONTACT: MATING AREA: SEE PLATING SEPC OVER 1.27-2.54 UM NICKEL UNDERPLATED
SOLDER AREA: 1.27 MIN TIN OVER 1.27-2.54 UM NICKEL UNDERPLATED
BOARDLOCK: 1.27 MIN TIN OVER 1.27-2.54UM NICKEL UNDERPLATED
 - ELECTRICAL PERFORMANCE:**
RATED CURRENT FOR POWER PIN: REFER PRODUCT APPLICATION SPEC
RATED CURRENT FOR SIGNAL PIN: REFER PRODUCT APPLICATION SPEC
 - PRODUCT SHALL MEET ALL DIMENSIONS BEFORE EXPOSURE TO 260°C MAX. FOR 10S AND SHALL MEET ALL SELECTED FUNCTIONAL DIMENSION AFTER EXPOSURE TO 260°C MAX. FOR 10S.
 - MATERIAL SHOULD BE FULFILLED AMPHENOL SPEC # SSN002
 - ORDERING PN: REFER TO THE PN SYSTEM

| UNLESS OTHERWISE SPECIFIED TOLERANCES | |
|---------------------------------------|--------|
| U.S. | METRIC |
| .X +/- | 0.25 |
| .XX +/- | 0.20 |
| .XXX +/- | 0.15 |
| FRACTIONS +/- | 5° |
| ANGLES +/- | |

| APPROVAL | DATE |
|---|-------------|
| DRAWN | Apr.25,2018 |
| CHECKED | |
| APPROVED | |
| DRAWING FILE : INTERNAL\DRAWING\CE\C CEXXXXXX011011X | |
| REMOVE SHARP EDGES | |
| ANGLE OF PROJECTION | |
| DIMENSIONS | |
| —U.S.— | INCHES |
| (METRIC) | (mm) |

Amphenol

TITLE
**COOL EDGE CONNECTOR
0.80MM PITCH**

| | | |
|-------|-------------------|--------------|
| SIZE | DRAWING NO. | REV. |
| A3 | C CEXXXXXX011011X | 7 |
| SCALE | NONE | SHEET 1 OF 8 |

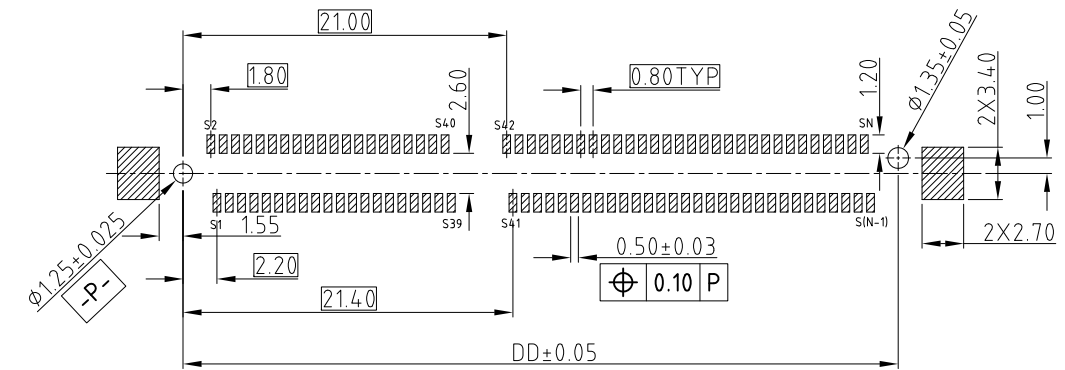
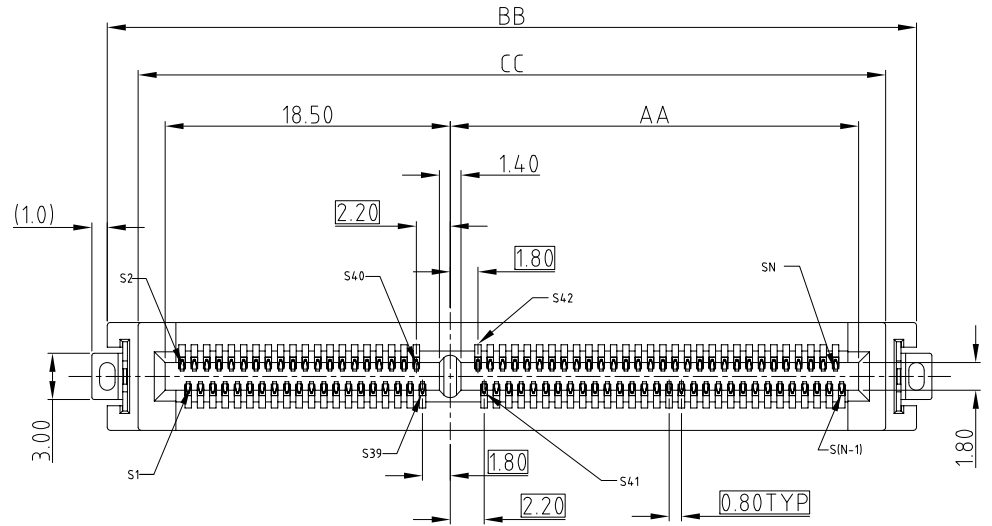
A

A

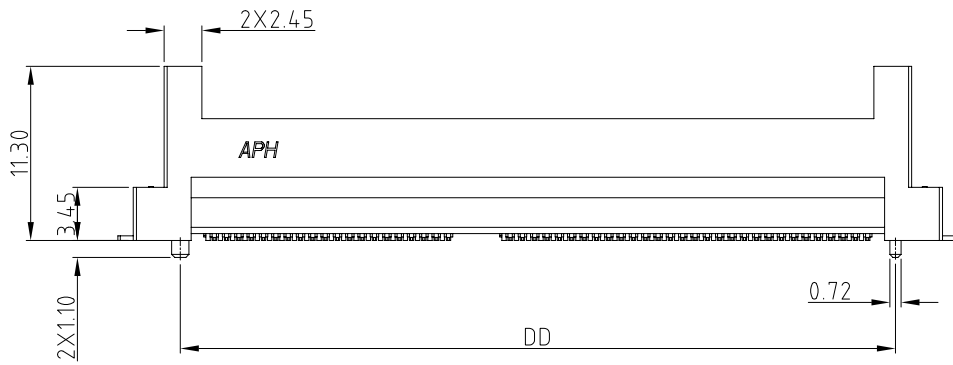
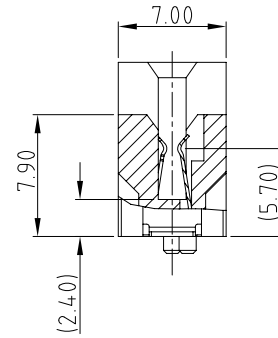
This document is the property of Amphenol Corporation and is delivered on the express condition that it is not to be disclosed, reproduced or used, in whole or in part, for manufacture or sale by anyone other than Amphenol Corporation without its prior consent, & that no right is granted to disclose or to use any information in this document.

CUSTOMER DRAWING

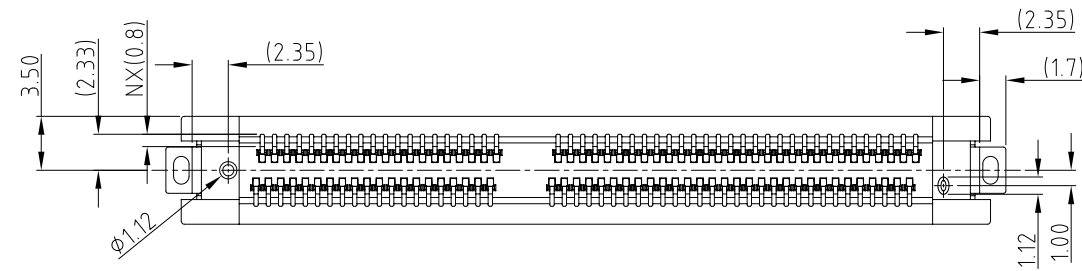
| REVISIONS | | | | |
|-----------|-----|-------------|------|----------|
| SYM | ECN | DESCRIPTION | DATE | APPROVED |
| | | SEE SHEET 1 | | |



RECOMMENDED SOLDER PCB LAYOUT
GENERAL TOLERANCE ±0.05



APH



| | |
|---------------------------------------|--------|
| UNLESS OTHERWISE SPECIFIED TOLERANCES | |
| U.S. | METRIC |
| .X +/- | 0.25 |
| .XX +/- | 0.20 |
| .XXX +/- | 0.15 |
| FRACTIONS +/- | |
| ANGLES +/- | 5° |
| FOR MATERIALS AND FINISHES SEE NOTES | |
| REMOVE SHARP EDGES | |
| DIMENSIONS | |
| —U.S.— | INCHES |
| (METRIC) | (mm) |

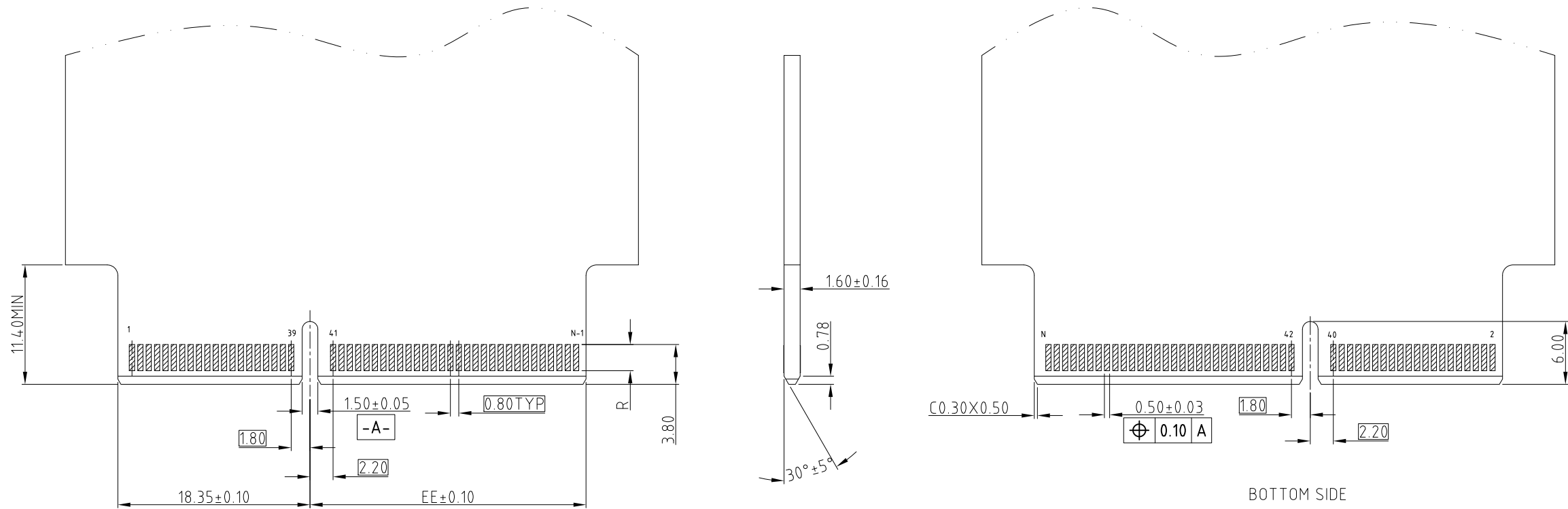
| | |
|---------------------------------------|-------------|
| APPROVAL | DATE |
| DRAWN | Apr.25,2018 |
| CHECKED | |
| APPROVED | |
| DRAWING FILE : | |
| INTERNAL\DRAWING\CE\C CEXXXXXX011011X | |
| ANGLE OF PROJECTION | |
| | |

| | | |
|-------------------------------------|-------------------|--------------|
| Amphenol | | |
| TITLE | | |
| COOL EDGE CONNECTOR 0.80MM PITCH | | |
| SIZE | DRAWING NO. | REV. |
| A3 | C CEXXXXXX011011X | 7 |
| SCALE | NONE | SHEET 2 OF 8 |

This document is the property of Amphenol Corporation and is delivered on the express condition that it is not to be disclosed, reproduced or used, in whole or in part, for manufacture or sale by anyone other than Amphenol Corporation without its prior consent, & that no right is granted to disclose or to use any information in this document.

CUSTOMER DRAWING

| REVISIONS | | | | |
|-----------|-----|-------------|------|----------|
| SYM | ECN | DESCRIPTION | DATE | APPROVED |
| | | SEE SHEET 1 | | |



RECOMMENDED LAY OUT FOR MATING CARD, THICKNESS=1.60±0.16
GENERAL TOLERANCE ±0.05

| PIN COUNT | DIMENSION | | | | |
|------------|-----------|-------|-------|-------|-------|
| | AA | BB | CC | DD | EE |
| N (SIGNAL) | | | | | |
| 60 | 10.50 | 36.50 | 32.50 | 30.40 | 10.35 |
| 80 | 18.50 | 44.50 | 40.50 | 38.40 | 18.35 |
| 100 | 26.50 | 52.50 | 48.50 | 46.40 | 26.35 |
| 120 | 34.50 | 60.50 | 56.50 | 54.40 | 34.35 |
| 140 | 42.50 | 68.50 | 64.50 | 62.40 | 42.35 |
| 160 | 50.50 | 76.50 | 72.50 | 70.40 | 50.35 |
| 180 | 58.50 | 84.50 | 80.50 | 78.40 | 58.35 |
| 200 | 66.50 | 92.50 | 88.50 | 86.40 | 66.35 |

| SYSTEM | DIM R |
|-----------|----------------------|
| IMPEDANCE | (GOLD FINGER LENGTH) |
| 85 ohm | 2.50 |



| | |
|---------------------------------------|--------|
| UNLESS OTHERWISE SPECIFIED TOLERANCES | |
| U.S. | METRIC |
| .X +/- | 0.3 |
| .XX +/- | 0.20 |
| .XXX +/- | 0.15 |
| FRACTIONS +/- | |
| ANGLES +/- | 5° |
| FOR MATERIALS AND FINISHES SEE NOTES | |
| REMOVE SHARP EDGES | |
| DIMENSIONS | |
| —U.S.— | INCHES |
| (METRIC) | (mm) |

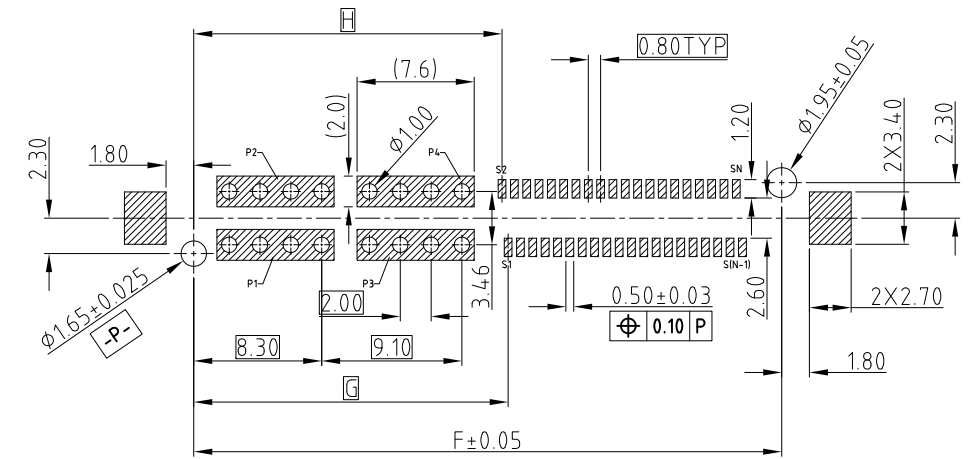
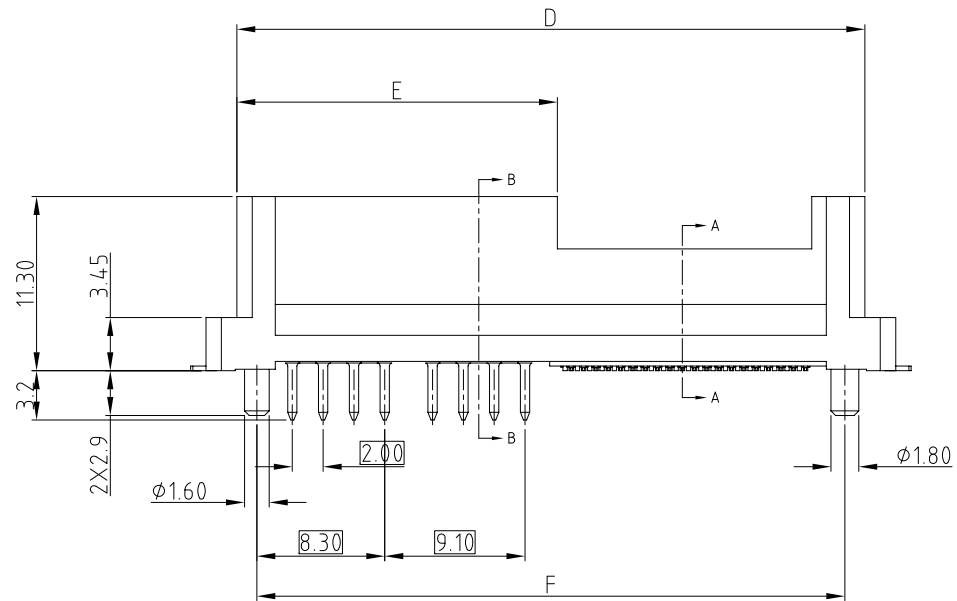
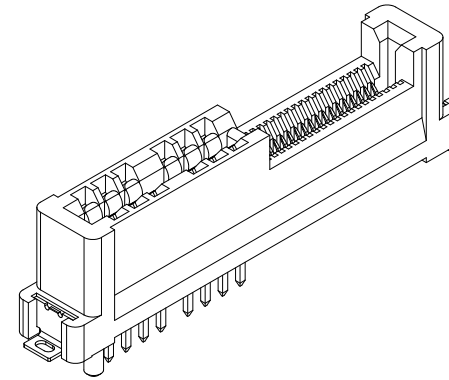
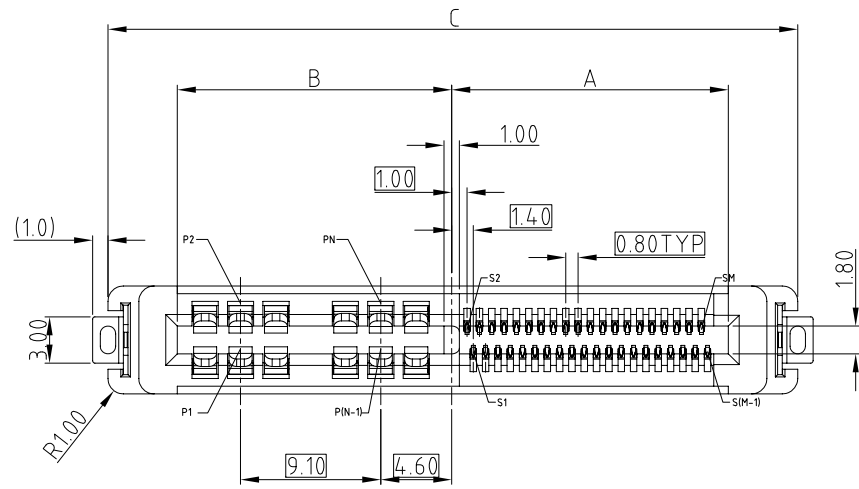
| | |
|---------------------------------------|-------------|
| APPROVAL | DATE |
| DRAWN | Apr.25,2018 |
| CHECKED | |
| APPROVED | |
| DRAWING FILE : | |
| INTERNAL\DRAWING\CE\C CEXXXXXX011011X | |
| ANGLE OF PROJECTION | |
| | |

| | | |
|-------------------------------------|-------------------|--------------|
| Amphenol | | |
| TITLE | | |
| COOL EDGE CONNECTOR 0.80MM PITCH | | |
| SIZE | DRAWING NO. | REV. |
| A3 | C CEXXXXXX011011X | 7 |
| SCALE | NONE | SHEET 3 OF 8 |

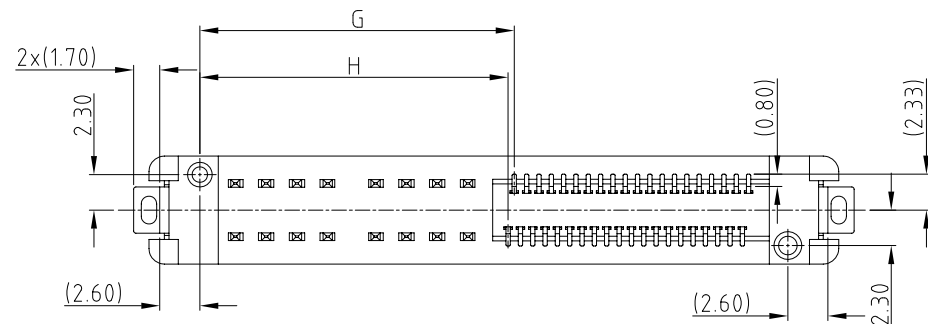
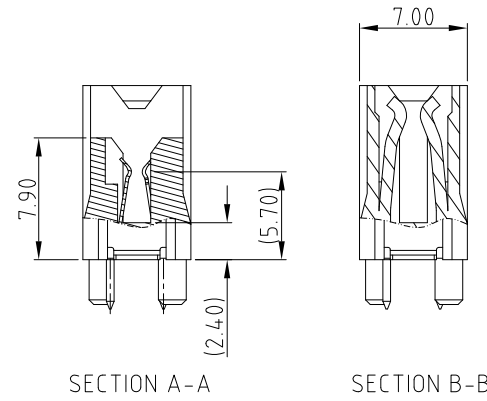
This document is the property of Amphenol Corporation and is delivered on the express condition that it is not to be disclosed, reproduced or used, in whole or in part, for manufacture or sale by anyone other than Amphenol Corporation without its prior consent, & that no right is granted to disclose or to use any information in this document.

CUSTOMER DRAWING

| REVISIONS | | | | |
|-----------|-----|----------------------|-------------|----------|
| SYM | ECN | DESCRIPTION | DATE | APPROVED |
| 1 | N/A | PRELIMINARY PROPOSAL | Mar.08,2017 | |



RECOMMEND SOLDER PCB LAYOUT
GENERAL TOLERANCE ±0.05MM



| UNLESS OTHERWISE SPECIFIED TOLERANCES | |
|---------------------------------------|--------|
| U.S. | METRIC |
| .X +/- | 0.25 |
| .XX +/- | 0.20 |
| .XXX +/- | 0.15 |
| FRACTIONS +/- | |
| ANGLES +/- | 5° |

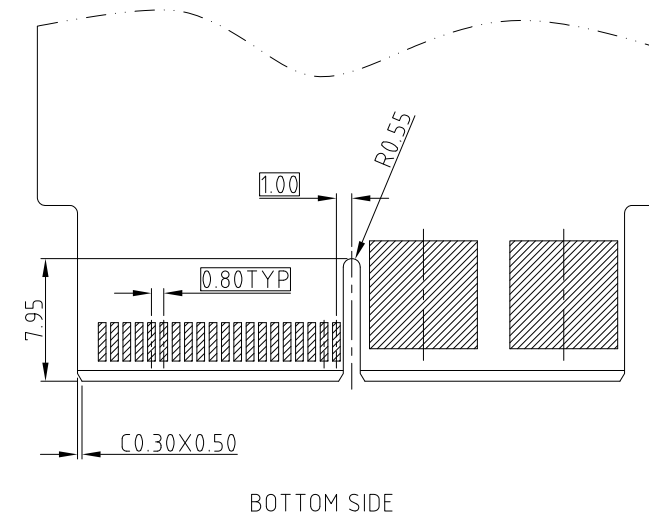
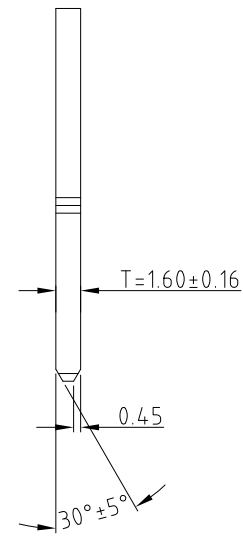
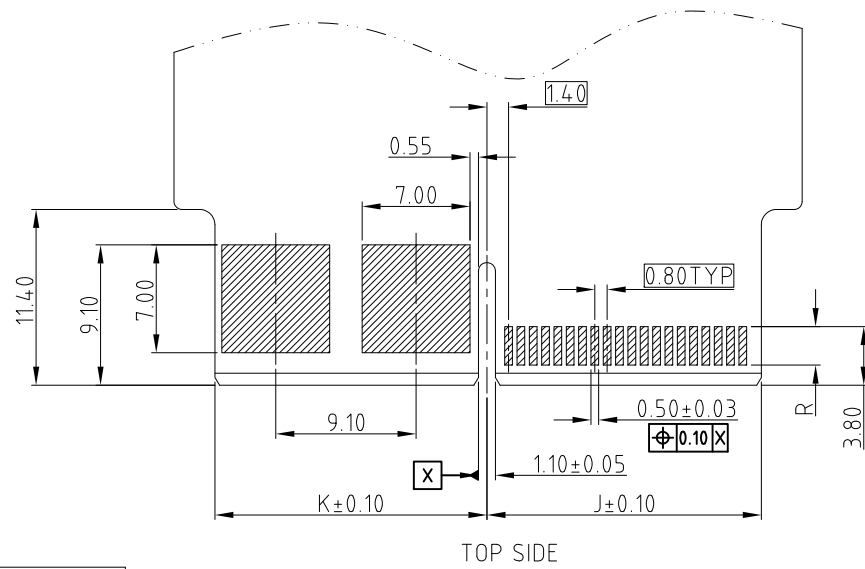
| APPROVAL | DATE |
|---------------------------------------|-------------|
| DRAWN | Apr.25,2018 |
| CHECKED | |
| APPROVED | |
| DRAWING FILE : | |
| INTERNAL\DRAWING\CE\C CEXXXXXX011011X | |
| ANGLE OF PROJECTION | |
| | |

| | | |
|---|-------------------|--------------|
| Amphenol | | |
| TITLE HYBRID COOL EDGE CONNECTOR 0.80MM PITCH | | |
| SIZE | DRAWING NO. | REV. |
| A3 | C CEXXXXXX011011X | 7 |
| SCALE | NONE | SHEET 4 OF 8 |

This document is the property of Amphenol Corporation and is delivered on the express condition that it is not to be disclosed, reproduced or used, in whole or in part, for manufacture or sale by anyone other than Amphenol Corporation without its prior consent, & that no right is granted to disclose or to use any information in this document.

CUSTOMER DRAWING

| REVISIONS | | | | |
|-----------|-----|-------------|------|----------|
| SYM | ECN | DESCRIPTION | DATE | APPROVED |
| | | SEE SHEET 1 | | |



| SYSTEM IMPEDANCE | DIM R (GOLD FINGER LENGTH) |
|------------------|----------------------------|
| 85 ohm | 2.50 |

RECOMMEND MATING CARD, THICKNESS=1.60±0.16MM
GENERAL TOLERANCE ±0.05MM

| PIN COUNT | | DIMENSION | | | | | | | | | |
|-----------|------------|-----------|------|-------|-------|-------|-------|-------|-------|-------|------|
| N (POWER) | M (SIGNAL) | A | B | C | D | E | F | G | H | J | K |
| 2 | 18 | 9.15 | 8.70 | 26.85 | 22.85 | 11.70 | 20.25 | 11.30 | 10.90 | 9.00 | 8.55 |
| | 20 | 9.95 | 8.70 | 27.65 | 23.65 | 11.70 | 21.05 | 11.30 | 10.90 | 9.80 | 8.55 |
| | 40 | 17.95 | 8.70 | 35.65 | 31.65 | 11.70 | 29.05 | 11.30 | 10.90 | 17.80 | 8.55 |
| | 60 | 25.95 | 8.70 | 43.65 | 39.65 | 11.70 | 37.05 | 11.30 | 10.90 | 25.80 | 8.55 |
| | 80 | 33.95 | 8.70 | 51.65 | 47.65 | 11.70 | 45.05 | 11.30 | 10.90 | 33.80 | 8.55 |
| | 100 | 41.95 | 8.70 | 59.65 | 55.65 | 11.70 | 53.05 | 11.30 | 10.90 | 41.80 | 8.55 |
| | 120 | 49.95 | 8.70 | 67.65 | 63.65 | 11.70 | 61.05 | 11.30 | 10.90 | 49.80 | 8.55 |
| | 140 | 57.95 | 8.70 | 75.65 | 71.65 | 11.70 | 69.05 | 11.30 | 10.90 | 57.80 | 8.55 |
| | 160 | 65.95 | 8.70 | 83.65 | 79.65 | 11.70 | 77.05 | 11.30 | 10.90 | 65.80 | 8.55 |
| | 180 | 73.95 | 8.70 | 91.65 | 87.65 | 11.70 | 85.05 | 11.30 | 10.90 | 73.80 | 8.55 |
| | 200 | 81.95 | 8.70 | 99.65 | 95.65 | 11.70 | 93.05 | 11.30 | 10.90 | 81.80 | 8.55 |

| PIN COUNT | | DIMENSION | | | | | | | | | |
|-----------|------------|-----------|-------|--------|--------|-------|--------|-------|-------|-------|-------|
| N (POWER) | M (SIGNAL) | A | B | C | D | E | F | G | H | J | K |
| 4 | 20 | 9.95 | 17.80 | 36.75 | 32.75 | 20.80 | 30.15 | 20.40 | 20.00 | 9.80 | 17.65 |
| | 40 | 17.95 | 17.80 | 44.75 | 40.75 | 20.80 | 38.15 | 20.40 | 20.00 | 17.80 | 17.65 |
| | 60 | 25.95 | 17.80 | 52.75 | 48.75 | 20.80 | 46.15 | 20.40 | 20.00 | 25.80 | 17.65 |
| | 80 | 33.95 | 17.80 | 60.75 | 56.75 | 20.80 | 54.15 | 20.40 | 20.00 | 33.80 | 17.65 |
| | 100 | 41.95 | 17.80 | 68.75 | 64.75 | 20.80 | 62.15 | 20.40 | 20.00 | 41.80 | 17.65 |
| | 120 | 49.95 | 17.80 | 76.75 | 72.75 | 20.80 | 70.15 | 20.40 | 20.00 | 49.80 | 17.65 |
| | 140 | 57.95 | 17.80 | 84.75 | 80.75 | 20.80 | 78.15 | 20.40 | 20.00 | 57.80 | 17.65 |
| | 160 | 65.95 | 17.80 | 92.75 | 88.75 | 20.80 | 86.15 | 20.40 | 20.00 | 65.80 | 17.65 |
| | 180 | 73.95 | 17.80 | 100.75 | 96.75 | 20.80 | 94.15 | 20.40 | 20.00 | 73.80 | 17.65 |
| | 200 | 81.95 | 17.80 | 108.75 | 104.75 | 20.80 | 102.15 | 20.40 | 20.00 | 81.80 | 17.65 |

| PIN COUNT | | DIMENSION | | | | | | | | | |
|-----------|------------|-----------|-------|--------|--------|-------|-------|-------|-------|-------|-------|
| N (POWER) | M (SIGNAL) | A | B | C | D | E | F | G | H | J | K |
| 6 | 20 | 9.95 | 26.90 | 45.85 | 41.85 | 29.90 | 39.25 | 29.50 | 29.10 | 9.80 | 26.75 |
| | 40 | 17.95 | 26.90 | 53.85 | 49.85 | 29.90 | 47.25 | 29.50 | 29.10 | 17.80 | 26.75 |
| | 60 | 25.95 | 26.90 | 61.85 | 57.85 | 29.90 | 55.25 | 29.50 | 29.10 | 25.80 | 26.75 |
| | 80 | 33.95 | 26.90 | 69.85 | 65.85 | 29.90 | 63.25 | 29.50 | 29.10 | 33.80 | 26.75 |
| | 100 | 41.95 | 26.90 | 77.85 | 73.85 | 29.90 | 71.25 | 29.50 | 29.10 | 41.80 | 26.75 |
| | 120 | 49.95 | 26.90 | 85.85 | 81.85 | 29.90 | 79.25 | 29.50 | 29.10 | 49.80 | 26.75 |
| | 140 | 57.95 | 26.90 | 93.85 | 89.85 | 29.90 | 87.25 | 29.50 | 29.10 | 57.80 | 26.75 |
| | 160 | 65.95 | 26.90 | 101.85 | 97.85 | 29.90 | 95.25 | 29.50 | 29.10 | 65.80 | 26.75 |
| | 170 | 69.95 | 26.90 | 105.85 | 101.85 | 29.90 | 99.25 | 29.50 | 29.10 | 69.80 | 26.75 |

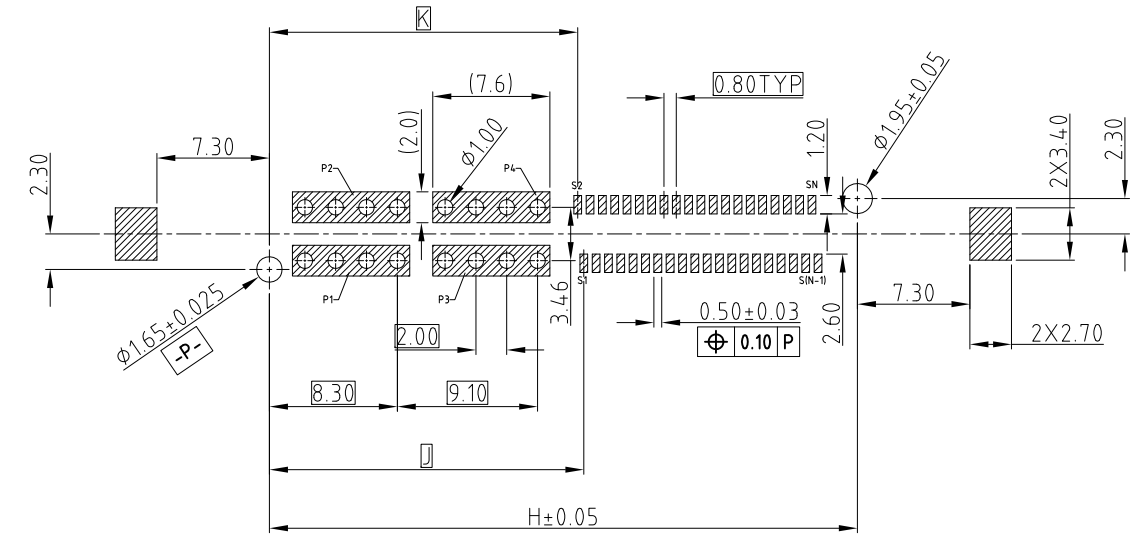
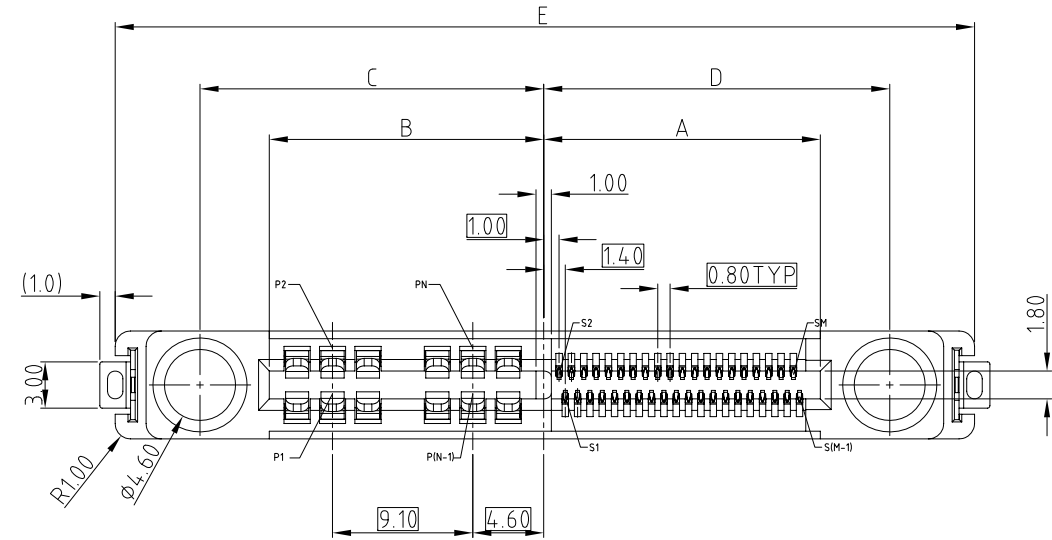


| | | | | |
|--|---------------|---|-------------|---|
| UNLESS OTHERWISE SPECIFIED TOLERANCES | | APPROVAL | DATE | <h1>Amphenol</h1> |
| U.S. METRIC | | DRAWN | Apr.25,2018 | |
| .X +/- 0.25 .XX +/- 0.20 .XXX +/- 0.15 FRACTIONS +/- ANGLES +/- 5° | | CHECKED | | |
| FOR MATERIALS AND FINISHES SEE NOTES | | APPROVED | | TITLE |
| REMOVE SHARP EDGES | DIMENSIONS | DRAWING FILE : INTERNAL\DRAWING\CE\C CEXXXXX011011X | | HYBRID COOL EDGE CONNECTOR 0.80MM PITCH |
| —U.S.— INCHES | (METRIC) (mm) | ANGLE OF PROJECTION | | SIZE DRAWING NO. REV. |
| | | | | A3 C CEXXXXX011011X 7 |
| | | | | SCALE NONE SHEET 5 OF 8 |

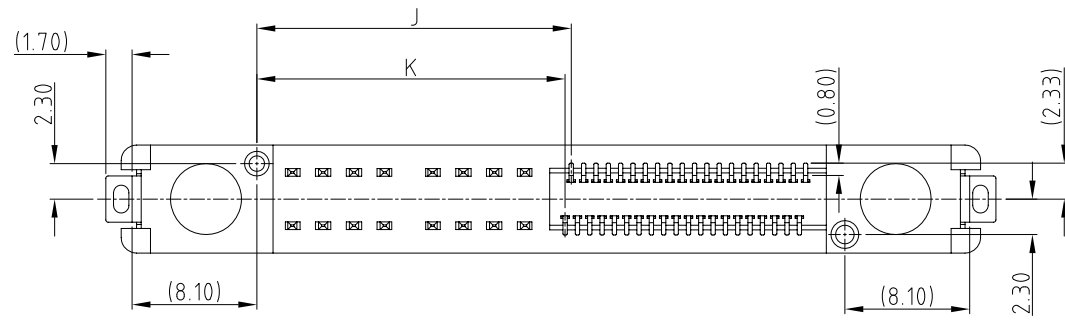
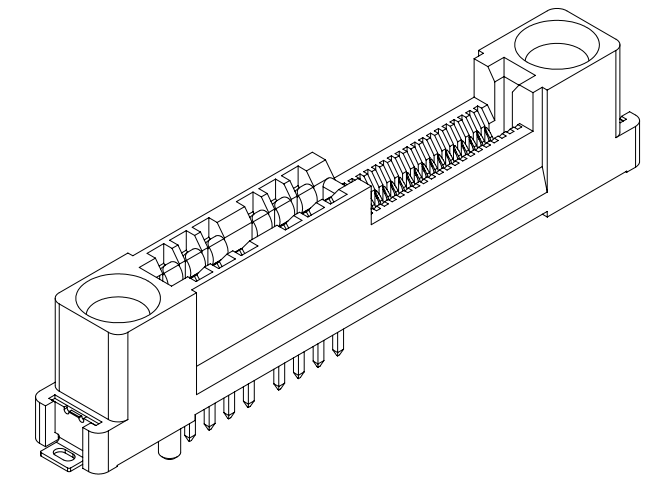
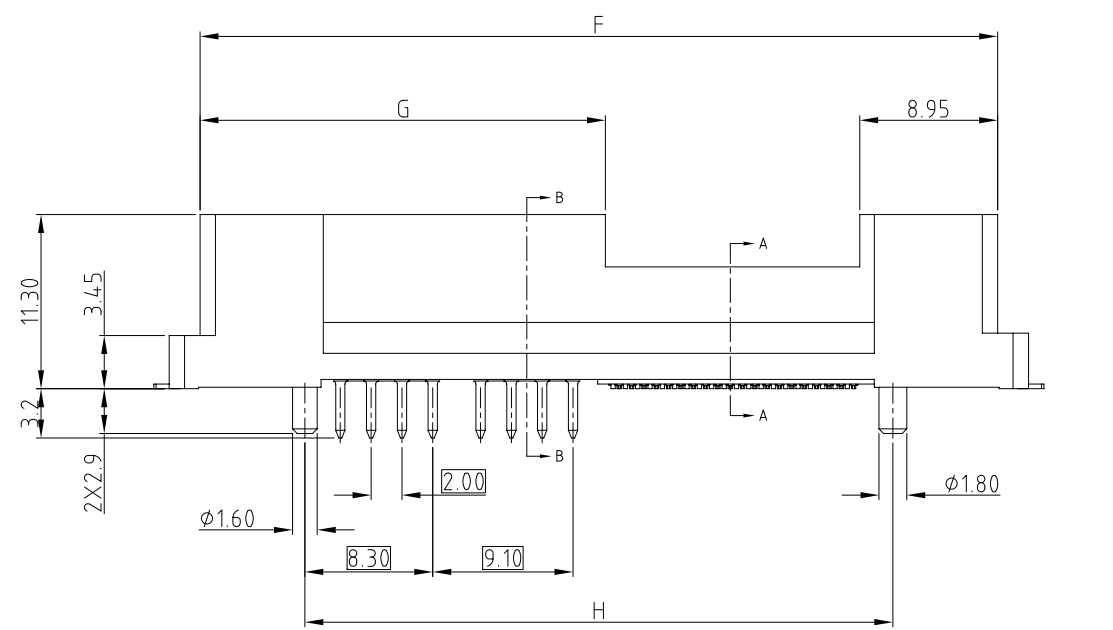
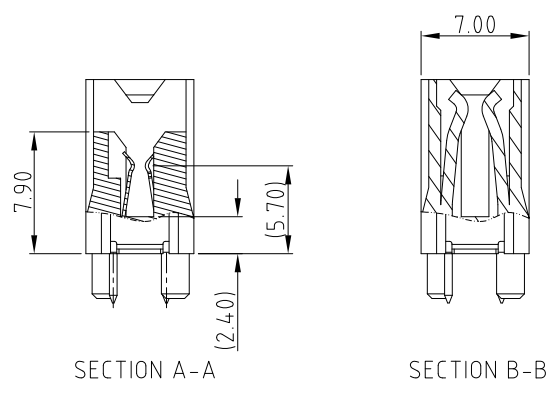
This document is the property of Amphenol Corporation and is delivered on the express condition that it is not to be disclosed, reproduced or used, in whole or in part, for manufacture or sale by anyone other than Amphenol Corporation without its prior consent, & that no right is granted to disclose or to use any information in this document.

CUSTOMER DRAWING

| REVISIONS | | | | |
|-----------|-----|-------------|------|----------|
| SYM | ECN | DESCRIPTION | DATE | APPROVED |
| | | SEE SHEET 1 | | |



RECOMMEND SOLDER PCB LAYOUT
GENERAL TOLERANCE ±0.05MM



| UNLESS OTHERWISE SPECIFIED TOLERANCES | |
|---------------------------------------|--------|
| U.S. | METRIC |
| .X +/- | 0.25 |
| .XX +/- | 0.20 |
| .XXX +/- | 0.15 |
| FRACTIONS +/- | 5° |
| ANGLES +/- | |

| APPROVAL | DATE |
|---------------------------------------|-------------|
| DRAWN | Apr.25,2018 |
| CHECKED | |
| APPROVED | |
| DRAWING FILE : | |
| INTERNAL\DRAWING\CE\C CEXXXXXX011011X | |
| ANGLE OF PROJECTION | |
| | |

| | | |
|---|----------------------------------|-----------|
| Amphenol | | |
| TITLE HYBRID COOL EDGE CONNECTOR 0.80MM PITCH | | |
| SIZE A3 | DRAWING NO. C CEXXXXXX011011X | REV. 7 |
| SCALE NONE | SHEET 6 OF 8 | |

This document is the property of Amphenol Corporation and is delivered on the express condition that it is not to be disclosed, reproduced or used, in whole or in part, for manufacture or sale by anyone other than Amphenol Corporation without its prior consent, & that no right is granted to disclose or to use any information in this document.

CUSTOMER DRAWING

| REVISIONS | | | | |
|-----------|-----|-------------|------|----------|
| SYM | ECN | DESCRIPTION | DATE | APPROVED |
| | | SEE SHEET 1 | | |

| PIN COUNT | | DIMENSION | | | | | | | | | | | |
|-----------|------------|-----------|-------|-------|--------|--------|-------|-------|-------|-------|-------|-------|------|
| N (POWER) | M (SIGNAL) | A | B | C | D | E | F | G | H | J | K | L | Q |
| 2 | 18 | 9.15 | 8.70 | 13.20 | 13.65 | 37.85 | 33.85 | 17.20 | 20.25 | 11.30 | 10.90 | 9.00 | 8.55 |
| | 20 | 9.95 | 8.70 | 13.20 | 14.45 | 38.65 | 34.65 | 17.20 | 21.05 | 11.30 | 10.90 | 9.80 | 8.55 |
| | 40 | 17.95 | 8.70 | 13.20 | 22.45 | 46.65 | 42.65 | 17.20 | 29.05 | 11.30 | 10.90 | 17.80 | 8.55 |
| | 60 | 25.95 | 8.70 | 13.20 | 30.45 | 54.65 | 50.65 | 17.20 | 37.05 | 11.30 | 10.90 | 25.80 | 8.55 |
| | 80 | 33.95 | 8.70 | 13.20 | 38.45 | 62.65 | 58.65 | 17.20 | 45.05 | 11.30 | 10.90 | 33.80 | 8.55 |
| | 100 | 41.95 | 8.70 | 13.20 | 46.45 | 70.65 | 66.65 | 17.20 | 53.05 | 11.30 | 10.90 | 41.80 | 8.55 |
| | 120 | 49.95 | 8.70 | 13.20 | 54.45 | 78.65 | 74.65 | 17.20 | 61.05 | 11.30 | 10.90 | 49.80 | 8.55 |
| | 140 | 57.95 | 8.70 | 13.20 | 62.45 | 86.65 | 82.65 | 17.20 | 69.05 | 11.30 | 10.90 | 57.80 | 8.55 |
| | 160 | 65.95 | 8.70 | 13.20 | 70.45 | 94.65 | 90.65 | 17.20 | 77.05 | 11.30 | 10.90 | 65.80 | 8.55 |
| | 180 | 73.95 | 8.70 | 13.20 | 78.45 | 102.65 | 98.65 | 17.20 | 85.05 | 11.30 | 10.90 | 73.80 | 8.55 |
| 200 | 81.95 | 8.70 | 13.20 | 86.45 | 110.65 | 106.65 | 17.20 | 93.05 | 11.30 | 10.90 | 81.80 | 8.55 | |

| PIN COUNT | | DIMENSION | | | | | | | | | | | |
|-----------|------------|-----------|-------|-------|-------|--------|--------|-------|--------|-------|-------|-------|-------|
| N (POWER) | M (SIGNAL) | A | B | C | D | E | F | G | H | J | K | L | Q |
| 4 | 20 | 9.95 | 17.80 | 22.30 | 14.45 | 47.75 | 43.75 | 26.30 | 30.15 | 20.40 | 20.00 | 9.80 | 17.65 |
| | 40 | 17.95 | 17.80 | 22.30 | 22.45 | 55.75 | 51.75 | 26.30 | 38.15 | 20.40 | 20.00 | 17.80 | 17.65 |
| | 60 | 25.95 | 17.80 | 22.30 | 30.45 | 63.75 | 59.75 | 26.30 | 46.15 | 20.40 | 20.00 | 25.80 | 17.65 |
| | 80 | 33.95 | 17.80 | 22.30 | 38.45 | 71.75 | 67.75 | 26.30 | 54.15 | 20.40 | 20.00 | 33.80 | 17.65 |
| | 100 | 41.95 | 17.80 | 22.30 | 46.45 | 79.75 | 75.75 | 26.30 | 62.15 | 20.40 | 20.00 | 41.80 | 17.65 |
| | 120 | 49.95 | 17.80 | 22.30 | 54.45 | 87.75 | 83.75 | 26.30 | 70.15 | 20.40 | 20.00 | 49.80 | 17.65 |
| | 140 | 57.95 | 17.80 | 22.30 | 62.45 | 95.75 | 91.75 | 26.30 | 78.15 | 20.40 | 20.00 | 57.80 | 17.65 |
| | 160 | 65.95 | 17.80 | 22.30 | 70.45 | 103.75 | 99.75 | 26.30 | 86.15 | 20.40 | 20.00 | 65.80 | 17.65 |
| | 180 | 73.95 | 17.80 | 22.30 | 78.45 | 111.75 | 107.75 | 26.30 | 94.15 | 20.40 | 20.00 | 73.80 | 17.65 |
| | 200 | 81.95 | 17.80 | 22.30 | 86.45 | 119.75 | 115.75 | 26.30 | 102.15 | 20.40 | 20.00 | 81.80 | 17.65 |

| PIN COUNT | | DIMENSION | | | | | | | | | | | |
|-----------|------------|-----------|-------|-------|-------|--------|--------|-------|-------|-------|-------|-------|-------|
| N (POWER) | M (SIGNAL) | A | B | C | D | E | F | G | H | J | K | L | Q |
| 6 | 20 | 9.95 | 26.90 | 31.40 | 14.45 | 56.85 | 52.85 | 35.40 | 39.25 | 29.50 | 29.10 | 9.80 | 26.75 |
| | 40 | 17.95 | 26.90 | 31.40 | 22.45 | 64.85 | 60.85 | 35.40 | 47.25 | 29.50 | 29.10 | 17.80 | 26.75 |
| | 60 | 25.95 | 26.90 | 31.40 | 30.45 | 72.85 | 68.85 | 35.40 | 55.25 | 29.50 | 29.10 | 25.80 | 26.75 |
| | 80 | 33.95 | 26.90 | 31.40 | 38.45 | 80.85 | 76.85 | 35.40 | 63.25 | 29.50 | 29.10 | 33.80 | 26.75 |
| | 100 | 41.95 | 26.90 | 31.40 | 46.45 | 88.85 | 84.85 | 35.40 | 71.25 | 29.50 | 29.10 | 41.80 | 26.75 |
| | 120 | 49.95 | 26.90 | 31.40 | 54.45 | 96.85 | 92.85 | 35.40 | 79.25 | 29.50 | 29.10 | 49.80 | 26.75 |
| | 140 | 57.95 | 26.90 | 31.40 | 62.45 | 104.85 | 100.85 | 35.40 | 87.25 | 29.50 | 29.10 | 57.80 | 26.75 |
| | 160 | 65.95 | 26.90 | 31.40 | 70.45 | 112.85 | 108.85 | 35.40 | 95.25 | 29.50 | 29.10 | 65.80 | 26.75 |
| | 170 | 69.95 | 26.90 | 31.40 | 74.45 | 120.85 | 112.85 | 35.40 | 99.25 | 29.50 | 29.10 | 69.80 | 26.75 |



| | | | |
|---|---------------------------------------|-------------|--|
| UNLESS OTHERWISE SPECIFIED TOLERANCES U.S. METRIC .X +/- 0.25 .XX +/- 0.20 .XXX +/- 0.15 FRACTIONS +/- ANGLES +/- 5° FOR MATERIALS AND FINISHES SEE NOTES REMOVE SHARP EDGES DIMENSIONS —U.S.— INCHES (METRIC) (mm) | APPROVAL | DATE | Amphenol TITLE HYBRID COOL EDGE CONNECTOR 0.80MM PITCH SIZE DRAWING NO. REV. A3 C CEXXXXXX011011X 7 SCALE NONE SHEET 8 OF 8 |
| | DRAWN | Apr.25,2018 | |
| | CHECKED | | |
| | APPROVED | | |
| | DRAWING FILE : | | |
| | INTERNAL\DRAWING\CE\C CEXXXXXX011011X | | |
| | ANGLE OF PROJECTION | | |
| | | | |



Компания «ЭлектроПласт» предлагает заключение долгосрочных отношений при поставках импортных электронных компонентов на взаимовыгодных условиях!

Наши преимущества:

- Оперативные поставки широкого спектра электронных компонентов отечественного и импортного производства напрямую от производителей и с крупнейших мировых складов;
- Поставка более 17-ти миллионов наименований электронных компонентов;
- Поставка сложных, дефицитных, либо снятых с производства позиций;
- Оперативные сроки поставки под заказ (от 5 рабочих дней);
- Экспресс доставка в любую точку России;
- Техническая поддержка проекта, помощь в подборе аналогов, поставка прототипов;
- Система менеджмента качества сертифицирована по Международному стандарту ISO 9001;
- Лицензия ФСБ на осуществление работ с использованием сведений, составляющих государственную тайну;
- Поставка специализированных компонентов (Xilinx, Altera, Analog Devices, Intersil, Interpoint, Microsemi, Aeroflex, Peregrine, Syfer, Eurofarad, Texas Instrument, Miteq, Cobham, E2V, MA-COM, Hittite, Mini-Circuits, General Dynamics и др.);

Помимо этого, одним из направлений компании «ЭлектроПласт» является направление «Источники питания». Мы предлагаем Вам помощь Конструкторского отдела:

- Подбор оптимального решения, техническое обоснование при выборе компонента;
- Подбор аналогов;
- Консультации по применению компонента;
- Поставка образцов и прототипов;
- Техническая поддержка проекта;
- Защита от снятия компонента с производства.



Как с нами связаться

Телефон: 8 (812) 309 58 32 (многоканальный)

Факс: 8 (812) 320-02-42

Электронная почта: org@eplast1.ru

Адрес: 198099, г. Санкт-Петербург, ул. Калинина, дом 2, корпус 4, литера А.