



## CODE 40 - TINEL-LOCK BACKSHELL

**TXR40AB00-1608AI-S**

SERIES \_\_\_\_\_  
 TXR: RING INCLUDED  
 (SEE RING OPTION)  
 TX: RING NOT INCLUDED  
 CONNECTOR INTERFACE \_\_\_\_\_  
 MATERIAL \_\_\_\_\_  
 REFER TO CH00-0250-008  
 FINISH \_\_\_\_\_  
 REFER TO CH00-0250-008  
 ANGLE \_\_\_\_\_  
 DASH NUMBER (TABLE 1) \_\_\_\_\_  
 ENTRY SIZE (TABLE 2) \_\_\_\_\_  
 RING OPTION \_\_\_\_\_  
 AI - TO SUIT SINGLE BRAID  
 BI - TO SUIT DOUBLE BRAID  
 FOR TX, LEAVE BLANK  
 MODIFICATION CODE \_\_\_\_\_  
 REFER TO CH00-0250-008 <sup>2</sup>

### NOTES:

1. THIS PRODUCT IS DESIGNED TO TERMINATE A BRAIDED CABLE SHIELD AND A HEAT SHRINKABLE LIPPED BOOT TO A CONNECTOR.
- <sup>2</sup> FOR ADDITIONAL DIMENSIONS, ORDERING INFORMATION AND MODIFICATIONS, SEE CH00-0250-008.
- <sup>3</sup> SEE DRAWING TR FOR DETAIL ON TINEL-LOCK RING, RINGS ARE DESIGNED TO BE HEATED ELECTRICALLY, ALL RINGS ARE MARKED WITH THERMOCHROMIC PAINT WHICH CHANGES COLOUR WHEN INSTALLATION TEMPERATURE IS REACHED.
4. BACKSHELL TO BE PERMANENTLY MARKED/BAGGED AND LABELLED WITH CODE IDENTIFICATION NUMBER AND PART NUMBER LESS RING DESIGNATOR. (e.g. 06090-TXR40AB00-1206). RING SHALL BEAR NO MARKING.
- <sup>5</sup> FOR LARGER ENTRY SIZES, A 2 PIECE BACKSHELL ASSEMBLY (TYPE 2) IS SUPPLIED.
6. BACKSHELL MATES TO MIL-DTL-38999, SERIES III AND IV, CLASS C, F, K, AND W, D38999/20, /24, /26, /40, /46 AND /47 CONNECTORS, AND WHEN SO MATED SHALL PROVIDE A WATER-TIGHT SEAL MEETING THE REQUIREMENTS OF MIL-C-85049, PARA. 3. 5. 7.
- <sup>7</sup> THESE DIMENSIONS APPLY IF A SELF-LOCKING COUPLING NUT IS USED.

|  |                           |             |                 |  |  |  |                                 |                        |
|--|---------------------------|-------------|-----------------|--|--|--|---------------------------------|------------------------|
| <b>DRAWN</b>                                       | K.WINCZURA                | DATE        | 04/12/2014      | <br>3RD ANGLE PROJECTION<br>NOT TO SCALE<br><br>UNLESS OTHERWISE SPECIFIED<br>ALL DIMENSIONS IN MILLIMETRES<br><b>GENERAL TOL</b><br>LINEAR +/-0.25MM<br>ANGULAR +/- 1° | <b>TITLE:</b>  | <br><b>TINEL-LOCK BACKSHELL</b> |                                 |                        |
| <b>CHECKED</b>                                     |                           | DATE        | 04/12/2014      |  | <b>ASSY USED ON:</b>   |  |                                 |                        |
| <b>APPROVED</b>                                    | K.SHEPPARD                | DATE        | 04/12/2014      |  |  |  |                                 |                        |
| <b>APPROVED</b>                                    | H.SMITH                   | DATE        | 15/06/2015      |  |  |  |                                 |                        |
| <b>REVISIONS</b>                                   |                           |             |                 |  |  |  |                                 |                        |
| <b>LTR</b>   | <b>DESCRIPTION</b>        | <b>DATE</b> | <b>APPROVED</b> |  |  |  |                                 |                        |
| K  | REVISED PER ECO-15-002200 | 11.02.15    | H.SMITH         |  |  |  |                                 |                        |
| L  | REVISED PER ECO-17-009011 | 21.06.17    | D.JONES         |  |  |  |                                 |                        |
| TE CAGE CODE: 06090<br>POLAMCO/TE CAGE CODE: U5792 |                           |             |                 |  | TE CONNECTIVITY - POLAMCO LTD RESERVES THE RIGHT TO AMEND THIS DRAWING AND THE INFORMATION SET FORTH HEREON AT ANY TIME. USERS SHOULD INDEPENDENTLY EVALUATE THE SUITABILITY OF THE PRODUCT FOR THEIR APPLICATION. | <b>DRAWING NO:</b><br><b>TXR40</b>   | <b>DRAWING REV:</b><br><b>L</b> | <b>SHT</b><br><b>1</b> |



STRAIGHT BACKSHELL - TYPE 1



STRAIGHT BACKSHELL - TYPE 2

IF MAX ENTRY IS EXCEEDED BACKSHELL WILL BE SUPPLIED AS TYPE 2



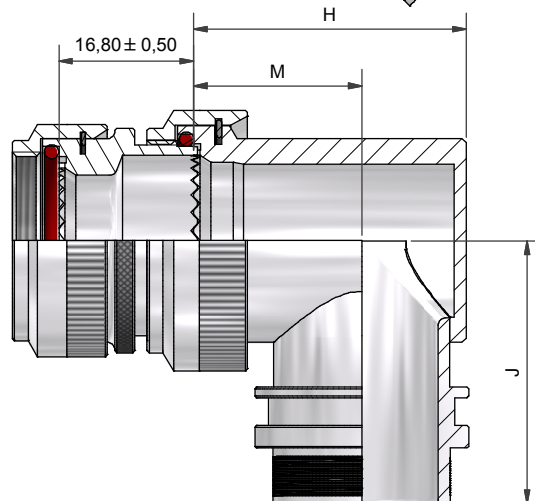
45° BACKSHELL - TYPE 1



45° BACKSHELL - TYPE 2



90° BACKSHELL - TYPE 1



90° BACKSHELL - TYPE 2



90° BACKSHELL - TYPE 1  
STAINLESS STEEL AND  
NICKEL ALUMINIUM BRONZE



90° BACKSHELL - TYPE 2  
STAINLESS STEEL AND  
NICKEL ALUMINIUM BRONZE

|          |            |      |            |
|----------|------------|------|------------|
| DRAWN    | K.WINCZURA | DATE | 04/12/2014 |
| CHECKED  |            | DATE | 04/12/2014 |
| APPROVED | K.SHEPPARD | DATE | 04/12/2014 |
| APPROVED | H.SMITH    | DATE | 15/06/2015 |

| REVISIONS |                           |          |          |
|-----------|---------------------------|----------|----------|
| LTR       | DESCRIPTION               | DATE     | APPROVED |
| K         | REVISED PER ECO-15-002200 | 11.02.15 | H.SMITH  |
| L         | REVISED PER ECO-17-009011 | 21.06.17 | D.JONES  |

3RD ANGLE PROJECTION  
NOT TO SCALE

UNLESS OTHERWISE SPECIFIED  
ALL DIMENSIONS IN MILLIMETRES  
GENERAL TOL  
LINEAR +/-0.25MM  
ANGULAR +/- 1°

**TITLE:**  
TINEL-LOCK BACKSHELL

**ASSY USED ON:**  
MIL-DTL-38999 SERIES III & IV



TE CAGE CODE: 06090  
POLAMCO/TE CAGE CODE: U5792

TE CONNECTIVITY - POLAMCO LTD RESERVES THE RIGHT TO AMEND THIS DRAWING AND THE INFORMATION SET FORTH HEREON AT ANY TIME. USERS SHOULD INDEPENDENTLY EVALUATE THE SUITABILITY OF THE PRODUCT FOR THEIR APPLICATION.

DRAWING NO:  
**TXR40**

DRAWING REV:  
**L**

SHT  
**2**

# MODIFICATION S (SELF-LOCKING COUPLING NUT)



BACKSHELL - TYPE 1



BACKSHELL - TYPE 2

TABLE 1

| ORDER NO. | SHELL SIZE COM'L / MIL | A THREAD  | ØB MAX | ØB MAX $\langle 7 \rangle$ | MAX ENTRY | C $\pm 0,5$ | D $\pm 0,5$ | W $\pm 0,5$ | T $\pm 0,5$ | E $\pm 0,5$ | THESE DIMENSIONS APPLY IF BACKSHELL IS STAINLESS STEEL OR NICKEL ALUMINIUM BRONZE |             |             |
|-----------|------------------------|-----------|--------|----------------------------|-----------|-------------|-------------|-------------|-------------|-------------|---|-------------|-------------|
|           |                        |           |        |                            |           |             |             |             |             |             | W $\pm 0,5$   | T $\pm 0,5$ | E $\pm 0,5$ |
| 08        | 9 / A                  | M12 x 1.0 | 18,0   | 21,5                       | 04        | 12,0        | 26,8        | 21,0        | 14,0        | 26,20       | 21,2  | 16,3        | 26,4        |
| 10        | 11 / B                 | M15 x 1.0 | 21,0   | 24,6                       | 07        | 12,5        | 27,5        | 24,0        | 15,5        | 27,95       | 24,3  | 17,2        | 28,2        |
| 12        | 13 / C                 | M18 x 1.0 | 24,5   | 28,3                       | 08        | 13,1        | 28,0        | 27,0        | 17,0        | 29,45       | 28,3  | 19,4        | 29,7        |
| 14        | 15 / D                 | M22 x 1.0 | 29,0   | 32,4                       | 10        | 13,5        | 29,0        | 31,0        | 19,5        | 31,00       | 31,1  | 21,0        | 31,2        |
| 16        | 17 / E                 | M25 x 1.0 | 32,5   | 35,6                       | 12        | 14,5        | 29,7        | 34,0        | 21,0        | 32,70       | 34,2  | 22,8        | 32,9        |
| 18        | 19 / F                 | M28 x 1.0 | 35,5   | 38,5                       | 14        | 15,5        | 30,5        | 35,0        | 20,0        | 34,25       | 38,5  | 25,3        | 34,5        |
| 20        | 21 / G                 | M31 x 1.0 | 37,0   | 41,7                       | 16        | 16,1        | 30,9        | 38,0        | 21,5        | 35,80       | 40,7  | 26,1        | 36,1        |
| 22        | 23 / H                 | M34 x 1.0 | 40,0   | 43,9                       | 18        | 16,5        | 31,1        | 42,0        | 24,0        | 37,40       | 43,7  | 27,6        | 37,6        |
| 24        | 25 / J                 | M37 x 1.0 | 43,5   | 47,0                       | 20        | 17,0        | 32,1        | 45,0        | 25,5        | 38,90       | 46,4  | 29,1        | 39,1        |

TABLE 2

| ENTRY SIZE | ØZ MIN | ØS            | ØY $\pm 0,3$ | ØK MAX | ØK MAX $\langle 7 \rangle$ | F $\pm 0,5$ | G $\pm 0,5$ | H $\pm 0,5$ | M $\pm 0,5$ | J $\pm 0,5$ | THESE DIMENSIONS APPLY IF BACKSHELL IS STAINLESS STEEL OR NICKEL ALUMINIUM BRONZE |             |             |
|------------|--------|---------------|--------------|--------|----------------------------|-------------|-------------|-------------|-------------|-------------|---|-------------|-------------|
|            |        |               |              |        |                            |             |             |             |             |             | H $\pm 0,5$   | M $\pm 0,5$ | J $\pm 0,5$ |
| 04         | 6,35   | 9,49 +/-0,04  | 14,00        | NA     | NA                         | NA          | NA          | NA          | NA          | NA          | NA  | NA          | NA          |
| 05         | 7,92   | 11,06 +/-0,04 | 15,50        | 21,0   | 24,6                       | 12,5        | 27,5        | 24,0        | 15,5        | 27,95       | 24,3  | 17,2        | 28,2        |
| 06         | 9,53   | 12,66 +/-0,04 | 17,10        | 21,0   | 24,6                       | 12,5        | 27,5        | 24,0        | 15,5        | 27,95       | 24,3  | 17,2        | 28,2        |
| 07         | 11,10  | 14,21 +/-0,07 | 18,70        | 21,0   | 24,6                       | 12,5        | 27,5        | 24,0        | 15,5        | 27,95       | 24,3  | 17,2        | 28,2        |
| 08         | 12,70  | 15,81 +/-0,07 | 20,30        | 24,5   | 28,3                       | 13,1        | 28,0        | 27,0        | 17,0        | 29,45       | 28,3  | 19,4        | 29,7        |
| 10         | 15,88  | 18,96 +/-0,08 | 23,50        | 29,0   | 32,4                       | 13,5        | 29,0        | 31,0        | 19,5        | 31,00       | 31,1  | 21,0        | 31,2        |
| 12         | 19,05  | 22,14 +/-0,08 | 26,70        | 32,5   | 35,6                       | 14,5        | 29,7        | 34,0        | 21,0        | 32,70       | 34,2  | 22,8        | 32,9        |
| 14         | 22,23  | 25,30 +/-0,08 | 29,80        | 35,5   | 38,5                       | 15,5        | 30,5        | 35,0        | 20,0        | 34,25       | 38,5  | 25,3        | 34,5        |
| 16         | 25,40  | 28,48 +/-0,08 | 33,00        | 37,0   | 41,7                       | 16,1        | 30,9        | 38,0        | 21,5        | 35,80       | 40,7  | 26,1        | 36,1        |
| 18         | 28,58  | 31,65 +/-0,08 | 36,20        | 40,0   | 43,9                       | 16,5        | 31,1        | 42,0        | 24,0        | 37,40       | 43,7  | 27,6        | 37,6        |
| 20         | 31,75  | 34,83 +/-0,08 | 39,40        | 43,5   | 47,0                       | 17,0        | 32,1        | 45,0        | 25,5        | 38,90       | 46,4  | 29,1        | 39,1        |
| 22         | 34,93  | 37,98 +/-0,08 | 42,50        | 48,5   | 50,0                       | 18,5        | 35,3        | 54,5        | 31,0        | 42,00       | 50,0  | 31,0        | 42,0        |
| 24         | 38,10  | 41,15 +/-0,08 | 45,70        | 52,1   | 56,0                       | 21,9        | 38,1        | 58,0        | 33,0        | 46,00       | 53,5  | 33,0        | 46,0        |

|          |            |      |            |   |
|----------|------------|------|------------|---|
| DRAWN    | K.WINCZURA | DATE | 04/12/2014 |   |
| CHECKED  |            | DATE | 04/12/2014 |   |
| APPROVED | K.SHEPPARD | DATE | 04/12/2014 | UNLESS OTHERWISE SPECIFIED ALL DIMENSIONS IN MILLIMETRES<br>GENERAL TOL<br>LINEAR +/-0,25MM<br>ANGULAR +/- 1° |
| APPROVED | H.SMITH    | DATE | 15/06/2015 |   |

| REVISIONS |                           |          |          |
|-----------|---------------------------|----------|----------|
| LTR       | DESCRIPTION               | DATE     | APPROVED |
| K         | REVISED PER ECO-15-002200 | 11.02.15 | H.SMITH  |
| L         | REVISED PER ECO-17-009011 | 21.06.17 | D.JONES  |

|                      |  |  |  |
|----------------------|--|--|--|
| <b>TITLE:</b>        |  | <b>TINEL-LOCK BACKSHELL</b>              |  |
| <b>ASSY USED ON:</b> |  | <b>MIL-DTL-38999 SERIES III &amp; IV</b> |  |



TE CAGE CODE: 06090  
POLAMCO/TE CAGE CODE: U5792

TE CONNECTIVITY - POLAMCO LTD RESERVES THE RIGHT TO AMEND THIS DRAWING AND THE INFORMATION SET FORTH HEREON AT ANY TIME. USERS SHOULD INDEPENDENTLY EVALUATE THE SUITABILITY OF THE PRODUCT FOR THEIR APPLICATION.

|              |              |          |
|--------------|--------------|----------|
| DRAWING NO:  | DRAWING REV: | SHT      |
| <b>TXR40</b> | <b>L</b>     | <b>3</b> |



Компания «ЭлектроПласт» предлагает заключение долгосрочных отношений при поставках импортных электронных компонентов на взаимовыгодных условиях!

Наши преимущества:

- Оперативные поставки широкого спектра электронных компонентов отечественного и импортного производства напрямую от производителей и с крупнейших мировых складов;
- Поставка более 17-ти миллионов наименований электронных компонентов;
- Поставка сложных, дефицитных, либо снятых с производства позиций;
- Оперативные сроки поставки под заказ (от 5 рабочих дней);
- Экспресс доставка в любую точку России;
- Техническая поддержка проекта, помощь в подборе аналогов, поставка прототипов;
- Система менеджмента качества сертифицирована по Международному стандарту ISO 9001;
- Лицензия ФСБ на осуществление работ с использованием сведений, составляющих государственную тайну;
- Поставка специализированных компонентов (Xilinx, Altera, Analog Devices, Intersil, Interpoint, Microsemi, Aeroflex, Peregrine, Syfer, Eurofarad, Texas Instrument, Miteq, Cobham, E2V, MA-COM, Hittite, Mini-Circuits, General Dynamics и др.);

Помимо этого, одним из направлений компании «ЭлектроПласт» является направление «Источники питания». Мы предлагаем Вам помощь Конструкторского отдела:

- Подбор оптимального решения, техническое обоснование при выборе компонента;
- Подбор аналогов;
- Консультации по применению компонента;
- Поставка образцов и прототипов;
- Техническая поддержка проекта;
- Защита от снятия компонента с производства.



#### Как с нами связаться

**Телефон:** 8 (812) 309 58 32 (многоканальный)

**Факс:** 8 (812) 320-02-42

**Электронная почта:** [org@eplast1.ru](mailto:org@eplast1.ru)

**Адрес:** 198099, г. Санкт-Петербург, ул. Калинина, дом 2, корпус 4, литера А.