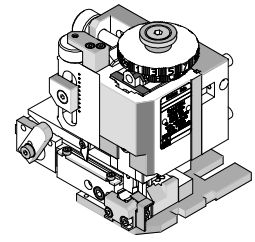




**FineAdjust
Applicator**

**Application Tooling
Specification Sheet**



Order No. 63900-0400

FEATURES

- Quick punch removal with the push of a button for fast and easy tooling change
- Applicator designed to industry standard mounting and shut height 135.80mm (5.346")
- Quick set-up time; plus the crimp height, track and feed adjustments can be set without removing the applicator from the press
- Fine adjustment allows users to achieve target with little effort by adjusting in increments of .015mm (.0006") for conductor crimp height and .063mm (.0025") for insulation height
- Independent adjustment rings allow users to quickly adjust the conductor or insulation crimp height without affecting each other
- Directly adapts to most automatic wire processing machines

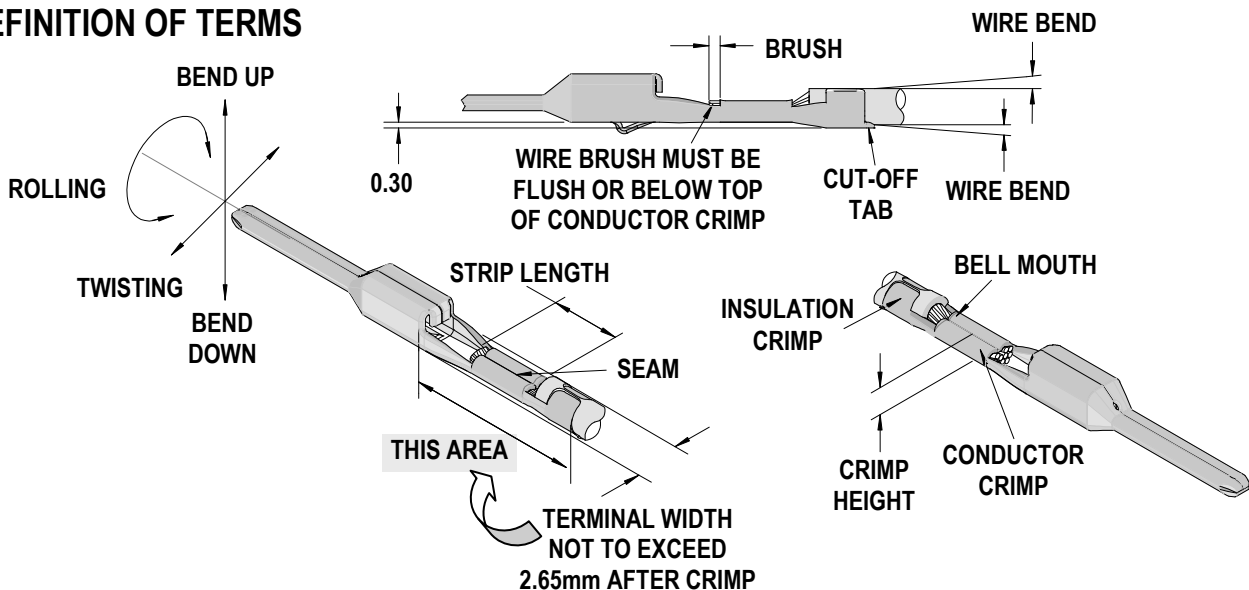
SCOPE

Products: MX150™ Blade Terminals 18 AWG.

Terminal Series No.	Terminal Order No.		Wire Size		Insulation Diameter		Strip Length	
			AWG	mm ²	mm	In.	mm	In.
33000	33000-1002	Male (Tin)	18	0.80	1.91-2.06	.075-.081	4.70-5.60	.185-.220
33011	33011-0004	Male (Gold)	18	0.80	1.91-2.06	.075-.081	4.70-5.60	.185-.220
	33011-3002	Male (Silver)						

Terminals were validated per USCAR-21 using the following wire specifications:
M1L-123A (TXL), M1L-135A1 (UTX), and M1L-126A1(metric-TXL)
Customers are required to complete validation testing if tooling purchased outside Molex Inc.
and/or wire specifications are different than above.

DEFINITION OF TERMS



CRIMP SPECIFICATION

Terminal Series No.	Bell mouth		Cut-off Tab Maximum		* Conductor Brush	
	mm	In.	mm	In.	mm	In.
33000	0.30-0.70	.012-.028	0.50	.020	0.15-0.40	.006-.016
33011	0.30-0.70	.012-.028	0.50	.020	0.15-0.40	.006-.016
* Wire brush must be flush or below top of Conductor Crimp.						

Terminal Series No.	Bend up	Bend down	Twist	Roll	Punch Width mm (Ref)				Seam Seam shall not be open and no wire allowed out of the crimping area
	Degree		Degree		Conductor		Insulation		
					mm	In	mm	In	
33000	3	3	3	3	2.10	.082	2.26	.089	
33011	3	3	3	3	2.10	.082	2.26	.089	

After crimping, the conductor profile should measure the following.

Terminal Series No.	Wire Size		Conductor				Insulation				Pull Force Minimum	
			Crimp Height		Crimp Width		Crimp Height		Crimp Width			
	AWG	mm ²	mm	In.	mm	In.	mm	In.	mm	In.	N	Lb.
33000	18	0.80	1.20-1.30	.047-.051	2.05-2.25	.081-.089	.190-2.10	.075-.083	2.20-2.40	.087-.094	90	20.2
33011	18	0.80	1.20-1.30	.047-.051	2.05-2.25	.081-.089	.190-2.10	.075-.083	2.20-2.40	.087-.094	90	20.2

Tool Qualification Notes:

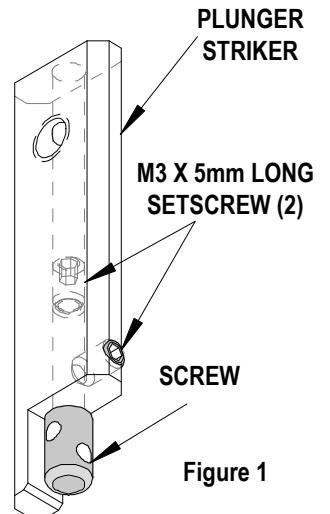
1. Pull Force should be measured with no influence from the insulation crimp.
2. The above specifications are guidelines to an optimum crimp.

Adjusting the Wire Bend Angle

(See Item 11 in parts list and assembly drawing.)

Note: If the Wire Bend is present after crimping use the following method to remove the bend. This tooling may not be necessary for all wire gauges.

1. The screw is provided for wire straightening. See Figure 1.
2. Loosen the (2) M3 x 5mm long setscrews; see Figure 1, before turning the screw.
3. Start by adjusting the screw so it just touches the insulation outside diameter of the wire being crimped. If wire Bend Up exists, turn the screw a quarter turn clockwise (CW) to lengthen it.
4. Continue to adjust the length of the screw until the wire appears to be straight after crimping. If wire Bend Down exists, turn the screw a quarter turn counter clockwise (CCW) to shorten it. Continue to adjust the length of the screw until the wire appears to be straight after crimping.
5. Tighten the M3 x 5mm long setscrews, when finished adjusting the screw. Two M3 x 5mm long setscrews are provided; the top setscrew is to lock the screw after adjustments. The M3 x 5mm long setscrew on the side of plunger striker is used when making adjustments.



Adjusting the Wire Brush Length

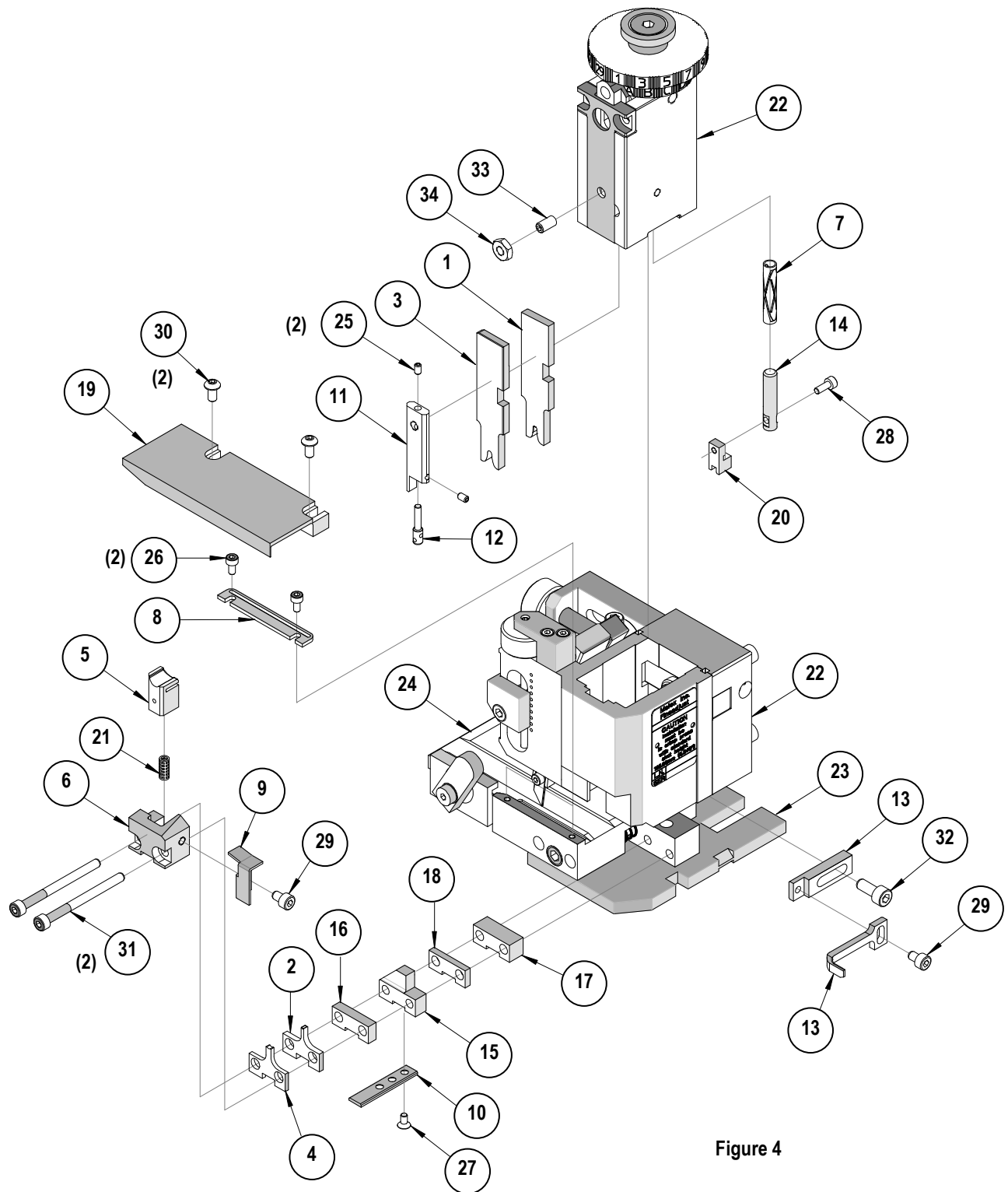
(See Item 13 in parts list and assembly drawing.)

1. If the wire brush is too long or extends above the top of the conductor crimp, adjust the Wire Stop, Item 13, closer to the conductor punch.
2. If the wire brush is too short, adjust the Wire Stop further away from the conductor punch.

PARTS LIST

FineAdjust Applicator 63900-0400				
Item	Order No	Engineering No.	Description	Quantity
Perishable Tooling				
	63900-0470	63900-0470	Tool Kit (All "Y" Items)	REF
1	63444-2137	63444-2137	Conductor Punch	1 Y
2	63445-2168	63445-2168	Conductor Anvil	1 Y
3	63454-0048	63454-0048	Insulation Punch	1 Y
4	63456-0041	63456-0041	Insulation Anvil	1 Y
5	63443-0037	63443-0037	Cut-Off Plunger	1 Y
6	63443-0038	63443-0038	Front Plunger Retainer	1 Y
Other Components				
7	11-17-0022	1739-21	Hold Down Spring	1
8	11-18-4094	60709A111	Feed Guide	1
9	63443-0009	63443-0009	Scrap Chute	1
10	63443-0024	63443-0024	Key	1
11	63443-0082	63443-0082	Front Plunger Striker	1
12	63443-0083	63443-0083	Striker Screw	1
13	63443-0090	63443-0090	Wire Stop	1
14	63443-0093	63443-0093	Shank	1
15	63443-1719	63443-1719	Height Spacer (18.90mm)	1
16	63443-2205	63443-2205	Coarse Spacer (5.00mm)	1
17	63443-2209	63443-2209	Coarse Spacer (9.00mm)	1
18	63443-2306	63443-2306	Fine Spacer (3.30mm)	1
19	63443-6122	63443-6122	Rear Cover	1
20	63443-7102	63443-7102	Terminal Hold Down	1
21	63700-0539	63700-0539	Cut-off Plunger Spring	1
Frame				
22	63800-4901	63800-4901	Top	1
23	63801-3281	63801-3281	Base	1
24	63801-4650	63801-4650	Track	1
24A	63459-0001	63459-0001	Terminal Track	1
Hardware				
25	N/A	N/A	M3 by 5Lg. SHSS-Brass Tip	2**
26	N/A	N/A	M3 by 6 Long SHCS	2**
27	N/A	N/A	M3 by 6 Long FHCS	1**
28	N/A	N/A	M3 by 8 Long SHCS	1**
29	N/A	N/A	M4 by 6 Long SHCS	2**
30	N/A	N/A	M4 by 12 Long BHCS	2**
31	N/A	N/A	M4 by 50 Long SHCS	2**
32	N/A	N/A	M5 by 12 Long SHCS	1**
33	N/A	N/A	#10-32 by 3/8" Long Flat Point SSS	1**
34	N/A	N/A	#10-32 Hex Jam Nut	1**
** Available from an industrial supply company such as MSC (1-800-645-7270).				

Assembly Drawing



NOTES

1. Molex recommends an extra perishable tooling kit be maintained at your facility.
2. Verify tooling alignment by manually cycling the press and Applicator before crimping under power. Check that all screws are tight.
3. Slugs, Terminals, Dirt and Oil should be kept clear of work area.
4. Wear safety glasses at all times.
5. For recommended maintenance refer to the FineAdjust Manual.

CAUTION: This applicator should only be used in a press with a shut height of 135.80 mm (5.346"). Tooling damage could result at a lower setting.

CAUTION: To prevent injury never operate this Applicator without the guards supplied with the press or wire-processing machine in place. Reference the press or wire processing manufacturer's instruction manual.

CAUTION: Molex crimp specifications are valid only when used with Molex terminals, applicators and tooling.

Visit our Web site at <http://www.molex.com>



Компания «ЭлектроПласт» предлагает заключение долгосрочных отношений при поставках импортных электронных компонентов на взаимовыгодных условиях!

Наши преимущества:

- Оперативные поставки широкого спектра электронных компонентов отечественного и импортного производства напрямую от производителей и с крупнейших мировых складов;
- Поставка более 17-ти миллионов наименований электронных компонентов;
- Поставка сложных, дефицитных, либо снятых с производства позиций;
- Оперативные сроки поставки под заказ (от 5 рабочих дней);
- Экспресс доставка в любую точку России;
- Техническая поддержка проекта, помощь в подборе аналогов, поставка прототипов;
- Система менеджмента качества сертифицирована по Международному стандарту ISO 9001;
- Лицензия ФСБ на осуществление работ с использованием сведений, составляющих государственную тайну;
- Поставка специализированных компонентов (Xilinx, Altera, Analog Devices, Intersil, Interpoint, Microsemi, Aeroflex, Peregrine, Syfer, Eurofarad, Texas Instrument, Miteq, Cobham, E2V, MA-COM, Hittite, Mini-Circuits, General Dynamics и др.);

Помимо этого, одним из направлений компании «ЭлектроПласт» является направление «Источники питания». Мы предлагаем Вам помощь Конструкторского отдела:

- Подбор оптимального решения, техническое обоснование при выборе компонента;
- Подбор аналогов;
- Консультации по применению компонента;
- Поставка образцов и прототипов;
- Техническая поддержка проекта;
- Защита от снятия компонента с производства.



Как с нами связаться

Телефон: 8 (812) 309 58 32 (многоканальный)

Факс: 8 (812) 320-02-42

Электронная почта: org@eplast1.ru

Адрес: 198099, г. Санкт-Петербург, ул. Калинина, дом 2, корпус 4, литера А.