

## OXUFS946DSE Dual SATA RAID Controller with Encryption

### OXUFS946DSE Highlights

#### General Features

- High performance, dual SATA RAID storage controller with Encryption

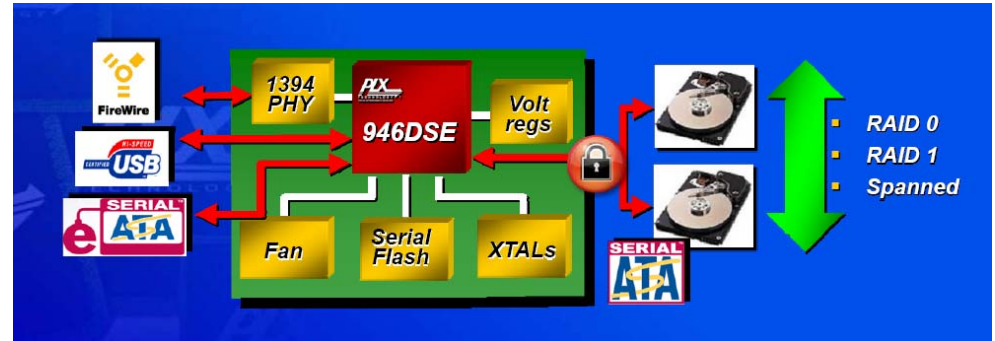
#### Key Features

- High performance, dual SATA RAID storage controller with Encryption
- Hardware RAID engine supporting RAID 0, 1 and spanning
- Integrated dual port SATA II compliant core and PHY
  - Supports 3.0 Gbps and 1.5 Gbps interfaces
  - Supports Interface Power Management (IPM)
- Integrated 480 Mbps USB 2.0 high speed core and PHY
- Market proven 1394b PHY interface and Link Layer with industry leading performance
  - Supports PHY power down modes
- Integrated eSATA core and PHY
- Integrated hardware cipher engine supporting AES encryption / decryption:
  - Support for 128-bit and 256-bit keys
  - Support for AES-ECB and AES-CBC algorithms
  - Support for AES-XTS as defined by IEEE P1619
  - Host software and driver supplied for password application for PC and Mac
- SPI interface for serial flash
- 19 GPIOs allow easy product customization
- Support for USB Human Interface Device (HID)
- Support for button push apps



*The OXUFS946DSE is a high performance dual storage controller bridging between eSATA or FireWire 800 or USB 2.0 interface and 2 SATA hard disks.*

Delivering best-in-class performance across all interfaces, the OXUFS946DSE enables a range of secure and non-secure personal storage applications, including dual disk RAID configurations.



The integrated hardware RAID engine supports a range of RAID modes which deliver either maximum performance (RAID 0), maximum data protection (RAID 1) or maximum capacity (spanning).

The integrated cipher engine provides advanced encryption and decryption capabilities in hardware and enables OEMs to rapidly deploy full disk encryption solutions, providing end users with peace-of-mind that their private content is safe and secure in the event of theft or loss.

Integrating a USB 2.0 device, a FireWire 800 link layer, eSATA\* device and a 2-port SATA host controller, the OXUFS946DSE enables designers to create products with a minimal number of external components and a low cost BOM.

### Embedded ARM Processor

By managing the data flow, the on-chip ARM7 processor enables a whole new series of standalone consumer electronic product to be developed in a simple C/C++ programming environment.

### USB 2.0

The embedded USB2.0 PHY supports both full and high speed, using bulk-only transport Mass Storage Class device protocol. Its fast transfers ensure that the maximum possible host performance is maintained. No additional USB host drivers are required, for either Windows® or Mac® operating systems for standard storage applications.

### FireWire

The embedded 1394 PHY and link layer supports FireWire 800, is backward compatible with FireWire 400 and complies with the 1394-1995 and 1394-2000 specifications. No additional 1394 host drivers are required for either Windows or Mac operating systems for standard storage applications.

### SATA Interface

The embedded 3 GHz SATA host controller supports the latest revisions of the SATA II specifications. In addition the eSATA\* device port also supports the Gen2m interface. Interface speeds of 3 GHz and 1.5 GHz deliver maximum performance with minimum latency for external SATA storage.

## OXUFS946DSE Dual SATA RAID Controller with Encryption

### RAID

The integrated hardware RAID engine supports the following modes over all interfaces:

- RAID 0, or data striping, delivers the highest performance but provides no data redundancy or fault tolerance
- RAID 1, or data mirroring, provides the highest level of fault tolerance with 100% data redundancy
- Spanning provides a single high-capacity logical volume with the same performance and fault tolerance

Additionally over USB 2.0 & FireWire JBOD (Just a Bunch of Disks) is also supported.

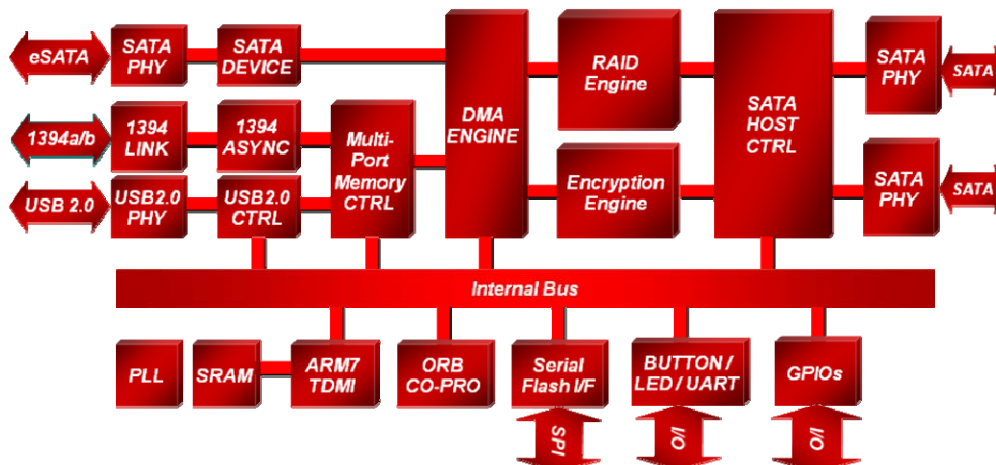
### Encryption

The integrated hardware cipher engine supports on-the-fly encryption / decryption of the data to the Advanced Encryption Standard (AES), providing a means whereby a users' data can be securely stored, and made unavailable to unauthorized users. The cipher engine supports the ECB (Electronic Code Book), CBC (Cipher Block Chaining) and XTS (XEX-based Tweaked CodeBook with CipherText Stealing) algorithms.

The OXUFS946DSE is complemented by a robust software password authentication solution, and a customizable host application, the PLX Technology Authenticator, is provided for both PCs and Mac hosts to:

- Define and manage up to 10 passwords
- Authenticate and mount the drive
- Safely de-authenticate and un-mount the drive

### Block Diagram



### Development Support

For external Mac and PC storage solutions, PLX Technology offers a comprehensive support package including:

- Reference designs comprising both hardware and software components
- Evaluation boards with pre-built application firmware
- Software Development Kit (SDK) comprising source code and debug boards
- Extensive range of application notes to shorten learning curves and simplify implementation

### Product Ordering Information

Part Number	Description
OXUFS946DSE-LQCG	eSATA, FireWire 800, USB 2.0 to SATA controller with Encryption

### Product Documentation

<http://www.plxtech.com/OXUFS946DSE>

PLX Technology, Inc. All rights reserved. PLX and the PLX logo are trademarks of PLX Technology, Inc. All other product names that appear in this material are for identification purposes only and are acknowledged to be trademarks or registered trademarks of their respective companies. Information supplied by PLX is believed to be accurate and reliable, but PLX assumes no responsibility for any errors that may appear in this material. PLX reserves the right, without notice, to make changes in product design or specification.

Visit [www.plxtech.com](http://www.plxtech.com) for more information.



Компания «ЭлектроПласт» предлагает заключение долгосрочных отношений при поставках импортных электронных компонентов на взаимовыгодных условиях!

Наши преимущества:

- Оперативные поставки широкого спектра электронных компонентов отечественного и импортного производства напрямую от производителей и с крупнейших мировых складов;
- Поставка более 17-ти миллионов наименований электронных компонентов;
- Поставка сложных, дефицитных, либо снятых с производства позиций;
- Оперативные сроки поставки под заказ (от 5 рабочих дней);
- Экспресс доставка в любую точку России;
- Техническая поддержка проекта, помощь в подборе аналогов, поставка прототипов;
- Система менеджмента качества сертифицирована по Международному стандарту ISO 9001;
- Лицензия ФСБ на осуществление работ с использованием сведений, составляющих государственную тайну;
- Поставка специализированных компонентов (Xilinx, Altera, Analog Devices, Intersil, Interpoint, Microsemi, Aeroflex, Peregrine, Syfer, Eurofarad, Texas Instrument, Miteq, Cobham, E2V, MA-COM, Hittite, Mini-Circuits, General Dynamics и др.);

Помимо этого, одним из направлений компании «ЭлектроПласт» является направление «Источники питания». Мы предлагаем Вам помощь Конструкторского отдела:

- Подбор оптимального решения, техническое обоснование при выборе компонента;
- Подбор аналогов;
- Консультации по применению компонента;
- Поставка образцов и прототипов;
- Техническая поддержка проекта;
- Защита от снятия компонента с производства.



#### Как с нами связаться

**Телефон:** 8 (812) 309 58 32 (многоканальный)

**Факс:** 8 (812) 320-02-42

**Электронная почта:** [org@eplast1.ru](mailto:org@eplast1.ru)

**Адрес:** 198099, г. Санкт-Петербург, ул. Калинина, дом 2, корпус 4, литера А.