

**PLEASE CHECK WWW.MOLEX.COM FOR LATEST PART INFORMATION**

**Part Number:** [0743000143](#)

**Status:** **Active**

**Overview:** [hdm](#)

**Description:** 2.00mm (.079") Pitch HDM® Board-to-Board Daughtercard Receptacle, Vertical, Signal Module, with Guide, 72 Circuits, Mounted Height 13.00mm (.512"), Pin Length 3.00mm (.118"), Lead-Free

**Documents:**

[3D Model](#)

[Drawing \(PDF\)](#)

[Product Specification PS-73780-999 \(PDF\)](#)

[RoHS Certificate of Compliance \(PDF\)](#)

**General**

|                |                         |
|----------------|-------------------------|
| Product Family | Backplane Connectors    |
| Series         | <a href="#">74300</a>   |
| Application    | Daughtercard, Mezzanine |
| Component Type | PCB Receptacle          |
| Overview       | <a href="#">hdm</a>     |
| Product Name   | HDM®                    |
| Style          | N/A                     |

**Physical**

|                                |                                |
|--------------------------------|--------------------------------|
| Circuits (Loaded)              | 72                             |
| Circuits (maximum)             | 72                             |
| Color - Resin                  | Black                          |
| Durability (mating cycles max) | 250                            |
| First Mate / Last Break        | No                             |
| Guide to Mating Part           | Yes                            |
| Keying to Mating Part          | None                           |
| Material - Metal               | Copper-Nickel-Tin              |
| Material - Plating Mating      | Gold                           |
| Material - Plating Termination | Matte Tin                      |
| Material - Resin               | High Temperature Thermoplastic |
| Number of Columns              | 24                             |
| Number of Pairs                | Open Pin Field                 |
| Number of Rows                 | 6                              |
| Orientation                    | Vertical                       |
| PC Tail Length (in)            | 0.118 In                       |
| PC Tail Length (mm)            | 3.00 mm                        |
| PCB Locator                    | No                             |
| PCB Retention                  | None                           |
| PCB Thickness Recommended (in) | 0.063 In                       |
| PCB Thickness Recommended (mm) | 1.60 mm                        |
| Packaging Type                 | Tube                           |
| Pitch - Mating Interface (in)  | 0.079 In                       |
| Pitch - Mating Interface (mm)  | 2.00 mm                        |
| Pitch - Term. Interface (in)   | 0.079 In                       |
| Pitch - Term. Interface (mm)   | 2.00 mm                        |
| Plating min: Mating (µin)      | 30                             |
| Plating min: Mating (µm)       | 0.76                           |
| Plating min: Termination (µin) | 100                            |
| Plating min: Termination (µm)  | 2.50                           |
| Polarized to PCB               | No                             |
| Stackable                      | Yes                            |
| Surface Mount Compatible (SMC) | Yes                            |
| Temperature Range - Operating  | -55°C to +105°C                |
| Termination Interface: Style   | Through Hole - Compliant Pin   |

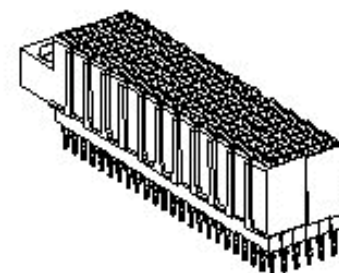


image - Reference only

Series

**EU RoHS**

**ELV and RoHS  
Compliant**

**REACH SVHC**

**Contains SVHC: No**

**Halogen-Free**

**Status**

**Halogen-Free**

**China RoHS**



**Need more information on product  
environmental compliance?**

Email [productcompliance@molex.com](mailto:productcompliance@molex.com)  
For a multiple part number RoHS Certificate of  
Compliance, [click here](#)

Please visit the [Contact Us](#) section for any  
non-product compliance questions.

**Search Parts in this Series**

[74300Series](#)

**Mates With**

HDM® Board-to-Board Backplane Header  
[73642](#) , [73643](#) , [73644](#) , [74349](#) , [74428](#) ,  
[73769](#) , [73781](#) , [73770](#) , [73782](#) , [73783](#) ,  
[73771](#)

**Electrical**

|                               |          |
|-------------------------------|----------|
| Current - Maximum per Contact | 1A       |
| Data Rate                     | 1.0 Gbps |
| Real Signals (per 25mm)       | 76       |
| Shielded                      | Yes      |
| Voltage - Maximum             | 250V AC  |

**Solder Process Data**

|  |                              |
|--|------------------------------|
| Duration at Max. Process Temperature (seconds) | 40                           |
| Lead-free Process Capability                   | SMC & Wave Capable (TH only) |
| Max. Cycles at Max. Process Temperature        | 3                            |
| Process Temperature max. C                     | 260                          |

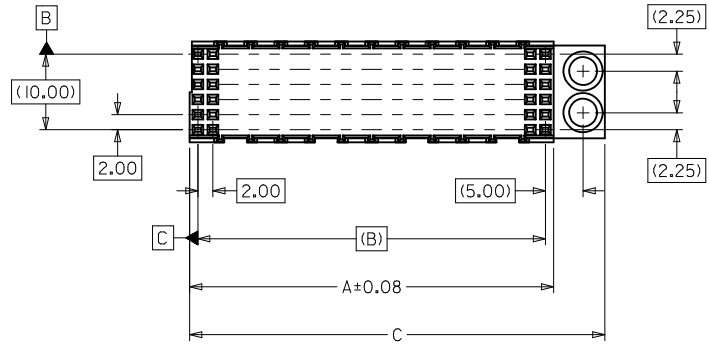
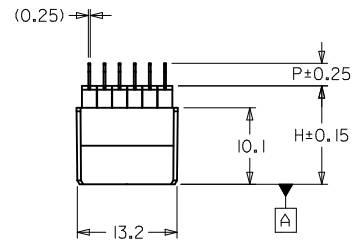
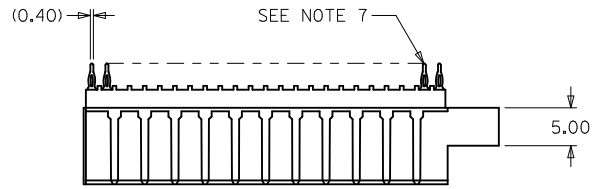
**Material Info****Reference - Drawing Numbers**

|                       |              |
|-----------------------|--------------|
| Product Specification | PS-73780-999 |
| Sales Drawing         | SD-74300-004 |

HDM and High Density Metric are trademarks of Amphenol Corporation

This document was generated on 05/15/2010

**PLEASE CHECK [WWW.MOLEX.COM](http://WWW.MOLEX.COM) FOR LATEST PART INFORMATION**



**NOTES:**

1. MATERIALS: HOUSING - LIQUID CRYSTAL POLYMER (LCP), GLASS-FILLED, 94V-0, COLOR: BLACK  
TERMINALS - COPPER ALLOY
2. FINISH: GOLD (Au) .76 MICROMETER MINIMUM THICKNESS IN CONTACT AREA; SELECTIVE TIN (Sn) 2.50 MINIMUM THICKNESS ON SOLDER TAILS, .88 MINIMUM THICKNESS ON PRESS-FIT TAILS, NICKEL (Ni) OVERALL.
3. THIS PART CONFORMS TO MOLEX PRODUCT SPECIFICATION PS-73780-999.
4. 144-CKT DAUGHTERCARD STACKING MODULE SHOWN FOR ILLUSTRATION PURPOSES ONLY. SEE CHART FOR TABULATED DIMENSIONS.
5. 74300-\*\*\*7 PARTS TO BE PACKAGED IN TUBES PER PK-70873-0872. ALL OTHER PARTS TO BE PACKAGED IN TUBES PER PK-70873-0900.
6. DEPENDING ON APPLICATION, THIS HOLE MAY BE NEEDED FOR CLEARANCE OF BACKPLANE GUIDE PIN. LOCATION OF HOLE WILL DEPEND ON LOCATION OF GUIDE PIN.
7. TRUE POSITION OF PC TAILS IS INSPECTED USING GAUGE NUMBER 73727-0014.

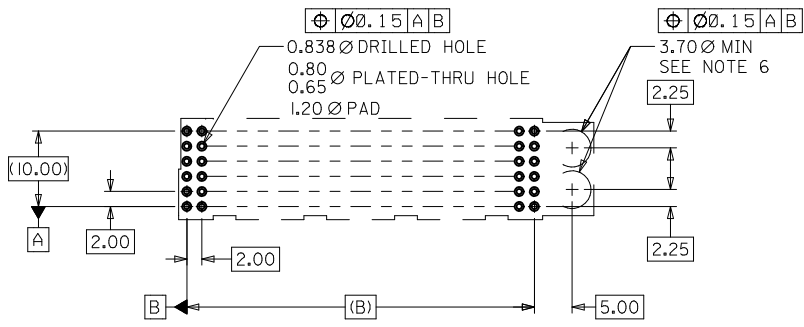
**MATERIAL NUMBER ASSIGNMENT**

74300 - \* | \* \*

- 0 = 72-CKT SOLDER TAIL  
 1 = 144-CKT SOLDER TAIL  
 7 = 72-CKT PRESS-FIT  
 8 = 144-CKT PRESS-FIT
- DIM "H"  
 3 = 13.0  
 4 = 14.0  
 5 = 15.0  
 6 = 16.0  
 7 = 17.0

- DIM "P"  
 2 = 2.00  
 3 = 2.50  
 \*4 = 3.00  
 \*5 = 3.50  
 \*6 = 4.00

\*PRESS-FIT AVAILABLE IN THESE TAIL LENGTHS ONLY



PCB LAYOUT: COMPONENT SIDE

|                  |              |       |       |       |
|------------------|--------------|-------|-------|-------|
| 74300-11**/-81** | 144          | 48.17 | 46.00 | 54.95 |
| 74300-01**/-71** | 72           | 24.17 | 22.00 | 30.95 |
| MATERIAL NUMBER  | CIRCUIT SIZE | DIM A | DIM B | DIM C |

UPDATE TO L.F. ONLY  
 EC NO: UCP2010-1860  
 DRWN: JELTON 2010/01/25  
 CHKD: SDANNELLEY 05/07/07  
 APPR: SMILLER 2010/02/08

DESCRIPTION  
 REV: B

QUALITY SYMBOLS  
 ▽=0  
 ▽=0  
 ▽=0

GENERAL TOLERANCES (UNLESS SPECIFIED)  
 mm INCH  
 4 PLACES ± --- ± ---  
 3 PLACES ± --- ± ---  
 2 PLACES ± 0.05 ± ---  
 1 PLACE ± 0.10 ± ---  
 ANGULAR ± 1/2°

DRAFT WHERE APPLICABLE MUST REMAIN WITHIN DIMENSIONS

DIMENSION STYLE  
**MM ONLY**

DRAWN BY DATE  
 MIBARRA 05/07/07

CHECKED BY DATE  
 BSMART 05/07/07

APPROVED BY DATE  
 SMILLER 2010/02/08

MATERIAL NO.  
**SEE TABLE**

SIZE  
 C

SCALE  
**METRIC**

DESIGN UNITS  
**METRIC**

THIRD ANGLE PROJECTION

TITLE  
**SALES ASSY, HDM PB FREE DAUGHTERCARD STACKING MODULE, GUIDE OPTION**

**MOLEX INCORPORATED**

DOCUMENT NO.  
**SD-74300-004**

SHEET NO.  
**1 OF 1**

THIS DRAWING CONTAINS INFORMATION THAT IS PROPRIETARY TO MOLEX INCORPORATED AND SHOULD NOT BE USED WITHOUT WRITTEN PERMISSION



Компания «ЭлектроПласт» предлагает заключение долгосрочных отношений при поставках импортных электронных компонентов на взаимовыгодных условиях!

Наши преимущества:

- Оперативные поставки широкого спектра электронных компонентов отечественного и импортного производства напрямую от производителей и с крупнейших мировых складов;
- Поставка более 17-ти миллионов наименований электронных компонентов;
- Поставка сложных, дефицитных, либо снятых с производства позиций;
- Оперативные сроки поставки под заказ (от 5 рабочих дней);
- Экспресс доставка в любую точку России;
- Техническая поддержка проекта, помощь в подборе аналогов, поставка прототипов;
- Система менеджмента качества сертифицирована по Международному стандарту ISO 9001;
- Лицензия ФСБ на осуществление работ с использованием сведений, составляющих государственную тайну;
- Поставка специализированных компонентов (Xilinx, Altera, Analog Devices, Intersil, Interpoint, Microsemi, Aeroflex, Peregrine, Syfer, Eurofarad, Texas Instrument, Miteq, Cobham, E2V, MA-COM, Hittite, Mini-Circuits, General Dynamics и др.);

Помимо этого, одним из направлений компании «ЭлектроПласт» является направление «Источники питания». Мы предлагаем Вам помощь Конструкторского отдела:

- Подбор оптимального решения, техническое обоснование при выборе компонента;
- Подбор аналогов;
- Консультации по применению компонента;
- Поставка образцов и прототипов;
- Техническая поддержка проекта;
- Защита от снятия компонента с производства.



#### Как с нами связаться

**Телефон:** 8 (812) 309 58 32 (многоканальный)

**Факс:** 8 (812) 320-02-42

**Электронная почта:** [org@eplast1.ru](mailto:org@eplast1.ru)

**Адрес:** 198099, г. Санкт-Петербург, ул. Калинина, дом 2, корпус 4, литера А.