



### FEATURES

- Wideband switch: -3 dB @ 2.5 GHz
  - ADG904: absorptive 4:1 mux/SP4T
  - ADG904-R: reflective 4:1 mux/SP4T
  - High off isolation (37 dB @ 1 GHz)
  - Low insertion loss (1.1 dB dc to 1 GHz)
  - Single 1.65 V to 2.75 V power supply
  - CMOS/LVTTL control logic
  - 20-lead TSSOP and 4 mm x 4 mm LFCSP packages
  - Low power consumption (1  $\mu$ A maximum)
  - Qualified for automotive applications
- ### APPLICATIONS

- Wireless communications
  - General-purpose RF switching
  - Dual-band applications
  - High speed filter selection
  - Digital transceiver front end switch
  - IF switching
  - Tuner modules
  - Antenna diversity switching
- ### GENERAL DESCRIPTION

The ADG904 and ADG904-R are wideband analog 4:1 multiplexers that use a CMOS process to provide high isolation and low insertion loss to 1 GHz. The ADG904 is an absorptive/matched mux with 50  $\Omega$  terminated shunt legs; the ADG904-R is a reflective mux. These devices are designed such that the isolation is high over the dc to 1 GHz frequency range.

The ADG904 and ADG904-R switch one of four inputs to a common output, RFC, as determined by the 3-bit binary address lines A0, A1, and EN. A Logic 1 on the EN pin disables the device.

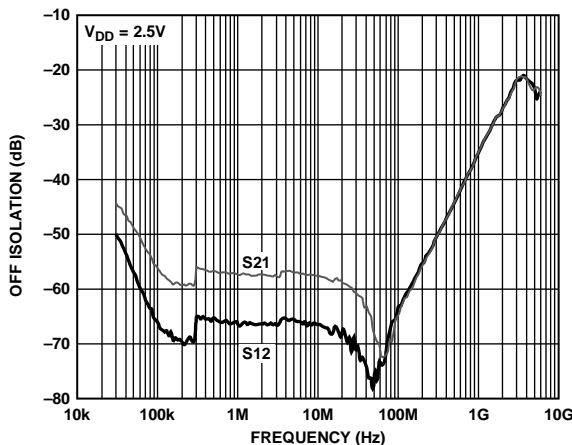


Figure 3. Off Isolation vs. Frequency

04504-0-028

### FUNCTIONAL BLOCK DIAGRAMS

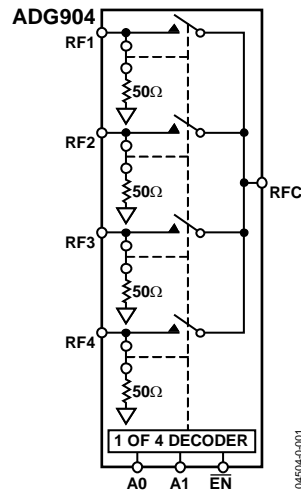


Figure 1.

04504-0-001

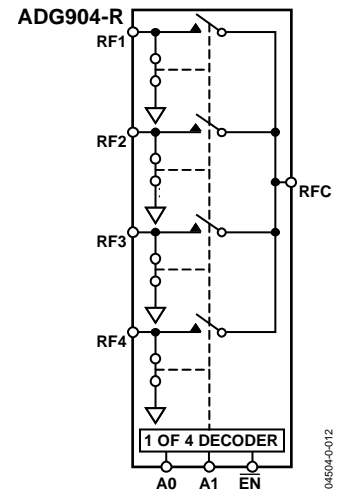


Figure 2.

04504-0-012

The parts have on-board CMOS control logic, which eliminates the need for external control circuitry. The control inputs are both CMOS and LVTTL compatible. The low power consumption of these devices makes them ideally suited for wireless applications and general-purpose high frequency switching.

### PRODUCT HIGHLIGHTS

- 37 dB off isolation @ 1 GHz
- 1.1 dB insertion loss @ 1 GHz
- 20-lead TSSOP/LFCSP packages

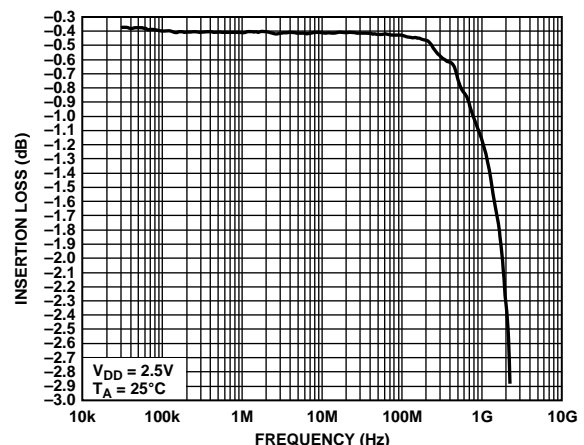


Figure 4. Insertion Loss vs. Frequency

04504-0-029

Rev. D

[Document Feedback](#)

Information furnished by Analog Devices is believed to be accurate and reliable. However, no responsibility is assumed by Analog Devices for its use, nor for any infringements of patents or other rights of third parties that may result from its use. Specifications subject to change without notice. No license is granted by implication or otherwise under any patent or patent rights of Analog Devices. Trademarks and registered trademarks are the property of their respective owners.

## TABLE OF CONTENTS

|  |   |                                 |    |
|--|---|---------------------------------|----|
| Features .....                                     | 1 | Test Circuits.....              | 9  |
| Applications.....                                  | 1 | Applications.....               | 11 |
| Functional Block Diagrams.....                     | 1 | Absorptive vs. Reflective ..... | 11 |
| General Description .....                          | 1 | Antenna Diversity Switch.....   | 11 |
| Product Highlights .....                           | 1 | Filter Selection .....          | 11 |
| Specifications.....                                | 3 | Tx/Rx Switching .....           | 11 |
| Absolute Maximum Ratings.....                      | 4 | Evaluation Board .....          | 12 |
| ESD Caution.....                                   | 4 | Outline Dimensions .....        | 13 |
| Pin Configurations and Function Descriptions ..... | 5 | Ordering Guide .....            | 14 |
| Terminology .....                                  | 6 | Automotive Products.....        | 14 |
| Typical Performance Characteristics .....          | 7 |                                 |    |

### REVISION HISTORY

#### 9/2016—Rev. C to Rev. D

|                                  |    |
|----------------------------------|----|
| Change to Product Title.....     | 1  |
| Changes to Figure 3.....         | 1  |
| Changes to Figure 11 and 12..... | 7  |
| Changes to Figure 19.....        | 9  |
| Change to Ordering Guide.....    | 14 |

#### 3/2013—Rev. B to Rev. C

|  |    |
|--|----|
| Changes to Features Section.....       | 1  |
| Changes to Figure 6.....               | 5  |
| Updated Outline Dimensions .....       | 13 |
| Changes to Ordering Guide .....        | 14 |
| Added Automotive Product Section ..... | 14 |

#### 2/2007—Rev. A to Rev. B

|                                 |    |
|---------------------------------|----|
| Updated Outline Dimensions..... | 13 |
| Changes to Ordering Guide.....  | 14 |

#### 8/2005—Rev. 0 to Rev. A

|  |           |
|--|-----------|
| Added LFCSP Package.....                 | Universal |
| Changes to Specifications.....           | 3         |
| Changes to Absolute Maximum Ratings..... | 4         |
| Inserted New Figure 6.....               | 5         |
| Changes to Table 4.....                  | 5         |
| Changes to Outline Dimensions .....      | 13        |
| Changes to Ordering Guide .....          | 14        |

#### 4/2004—Revision 0: Initial Version

## SPECIFICATIONS

V<sub>DD</sub> = 1.65 V to 2.75 V, GND = 0 V, Input Power = 0 dBm, all specifications T<sub>MIN</sub> to T<sub>MAX</sub>, unless otherwise noted.<sup>1</sup>

Table 1.

| Parameter                              | Symbol                            | Conditions                                   | B Version            |                  |                      | Unit   |
|--|-----------------------------------|--|----------------------|------------------|----------------------|--------|
|  |                                   |  | Min                  | Typ <sup>2</sup> | Max                  |        |
| AC ELECTRICAL CHARACTERISTICS          |                                   |  |                      |                  |                      |        |
| Operating Frequency <sup>3</sup>       |                                   |  | DC                   |                  | 2                    | GHz    |
| 3 dB Frequency <sup>4</sup>            |                                   |  |                      |                  | 2.5                  | GHz    |
| Input Power <sup>4</sup>               |                                   | 0 V dc bias                                  |                      |                  | 7                    | dBm    |
|  |                                   | 0.5 V dc bias                                |                      |                  | 16                   | dBm    |
| Insertion Loss                         | S <sub>21</sub> , S <sub>12</sub> | DC to 100 MHz; V <sub>DD</sub> = 2.5 V ± 10% |                      | 0.4              | 0.8                  | dB     |
|  |                                   | 500 MHz; V <sub>DD</sub> = 2.5 V ± 10%       |                      | 0.6              | 0.9                  | dB     |
|  |                                   | 1000 MHz; V <sub>DD</sub> = 2.5 V ± 10%      |                      | 1.1              | 1.5                  | dB     |
| Isolation—RFC to RF1–RF4               | S <sub>21</sub> , S <sub>12</sub> | 100 MHz                                      | 51                   | 60               |                      | dB     |
|  |                                   | 500 MHz                                      | 35                   | 45               |                      | dB     |
|  |                                   | 1000 MHz                                     | 30                   | 37               |                      | dB     |
| Crosstalk                              | S <sub>21</sub> , S <sub>12</sub> | 100 MHz                                      | 50                   | 58               |                      | dB     |
|  |                                   | 500 MHz                                      | 35                   | 32               |                      | dB     |
|  |                                   | 1000 MHz                                     | 30                   | 35               |                      | dB     |
| Return Loss (On Channel) <sup>4</sup>  | S <sub>11</sub> , S <sub>22</sub> | DC to 100 MHz                                | 21                   | 27               |                      | dB     |
|  |                                   | 500 MHz                                      | 18                   | 26               |                      | dB     |
|  |                                   | 1000 MHz                                     | 15                   | 30               |                      | dB     |
| Return Loss (Off Channel) <sup>4</sup> | S <sub>11</sub> , S <sub>22</sub> | DC to 100 MHz                                | 18                   | 22               |                      | dB     |
|  |                                   | 500 MHz                                      | 16                   | 23               |                      | dB     |
|  |                                   | 1000 MHz                                     | 18                   | 22               |                      | dB     |
| On Switching Time <sup>4</sup>         | t <sub>ON (EN)</sub>              | 50% EN to 90% RF                             |                      | 8.5              | 10                   | ns     |
| Off Switching Time <sup>4</sup>        | t <sub>OFF (EN)</sub>             | 50% EN to 10% RF                             |                      | 13               | 16                   | ns     |
| Transition Time                        | t <sub>TRANS</sub>                | 50% A <sub>x</sub> to 10% RF                 |                      | 12               | 15                   | ns     |
| Rise Time <sup>4</sup>                 | t <sub>RISE</sub>                 | 10% to 90% RF                                |                      | 3                | 5                    | ns     |
| Fall Time <sup>4</sup>                 | t <sub>FALL</sub>                 | 90% to 10% RF                                |                      | 7.5              | 9                    | ns     |
| 1 dB Compression <sup>4</sup>          | P <sub>-1 dB</sub>                | 1000 MHz                                     |                      | 16               |                      | dBm    |
| Third-Order Intermodulation Intercept  | IP <sub>3</sub>                   | 900 MHz/901 MHz, 4 dBm                       | 26.5                 | 31               |                      | dBm    |
| Video Feedthrough <sup>5</sup>         |                                   |  |                      | 3                |                      | mV p-p |
| DC ELECTRICAL CHARACTERISTICS          |                                   |  |                      |                  |                      |        |
| Input High Voltage                     | V <sub>INH</sub>                  | V <sub>DD</sub> = 2.25 V to 2.75 V           | 1.7                  |                  |                      | V      |
|  | V <sub>INH</sub>                  | V <sub>DD</sub> = 1.65 V to 1.95 V           | 0.65 V <sub>CC</sub> |                  |                      | V      |
| Input Low Voltage                      | V <sub>INL</sub>                  | V <sub>DD</sub> = 2.25 V to 2.75 V           |                      |                  | 0.7                  | V      |
|  | V <sub>INL</sub>                  | V <sub>DD</sub> = 1.65 V to 1.95 V           |                      |                  | 0.35 V <sub>CC</sub> | V      |
| Input Leakage Current                  | I <sub>I</sub>                    | 0 ≤ V <sub>IN</sub> ≤ 2.75 V                 |                      | ± 0.1            | ± 1                  | μA     |
| CAPACITANCE <sup>4</sup>               |                                   |  |                      |                  |                      |        |
| RF Port On Capacitance                 | C <sub>RF ON</sub>                | f = 1 MHz                                    |                      | 3                |                      | pF     |
| Digital Input Capacitance              | C                                 | f = 1 MHz                                    |                      | 2                |                      | pF     |
| POWER REQUIREMENTS                     |                                   |  |                      |                  |                      |        |
| V <sub>DD</sub>                        |                                   |  | 1.65                 |                  | 2.75                 | V      |
| Quiescent Power Supply Current         | I <sub>DD</sub>                   | Digital inputs = 0 V or V <sub>DD</sub>      |                      | 0.1              | 1                    | μA     |

<sup>1</sup> Temperature range B version: -40°C to +85°C.

<sup>2</sup> Typical values are at V<sub>DD</sub> = 2.5 V and 25°C, unless otherwise stated.

<sup>3</sup> Operating frequency is the point at which insertion loss degrades by 1.5 dB.

<sup>4</sup> Guaranteed by design, not subject to production test.

<sup>5</sup> Video feedthrough is the dc transience at the output of any port of the switch when the control voltage is switched from high to low or low to high in a 50 Ω test setup, measured with 1 ns rise time pulses and 500 MHz bandwidth.

## ABSOLUTE MAXIMUM RATINGS

T<sub>A</sub> = 25°C, unless otherwise noted.

Table 2.

| Parameter  | Rating   |
|--|--|
| V <sub>DD</sub> to GND                               | –0.5 V to +4 V                                 |
| Inputs to GND  | –0.5 V to V <sub>DD</sub> + 0.3 V <sup>1</sup> |
| Continuous Current                                   | 30 mA  |
| Input Power  | 18 dBm   |
| Operating Temperature Range                          |  |
| Industrial (B Version)                               | –40°C to +85°C                                 |
| Storage Temperature Range                            | –65°C to +150°C                                |
| Junction Temperature                                 | 150°C  |
| TSSOP Package  |  |
| θ <sub>JA</sub> Thermal Impedance                    | 143°C/W  |
| LFCSP Package  |  |
| θ <sub>JA</sub> Thermal Impedance<br>(4-Layer Board) | 30.4°C/W                                       |
| Lead Temperature, Soldering (10 sec)                 | 300°C  |
| IR Reflow, Peak Temperature (<20 sec)                | 235°C  |
| ESD  | 1 kV   |

<sup>1</sup> RFx off port inputs to ground = –0.5 V to V<sub>DD</sub> – 0.5 V.

### ESD CAUTION

ESD (electrostatic discharge) sensitive device. Electrostatic charges as high as 4000 V readily accumulate on the human body and test equipment and can discharge without detection. Although this product features proprietary ESD protection circuitry, permanent damage may occur on devices subjected to high energy electrostatic discharges. Therefore, proper ESD precautions are recommended to avoid performance degradation or loss of functionality.



Stresses at or above those listed under Absolute Maximum Ratings may cause permanent damage to the product. This is a stress rating only; functional operation of the product at these or any other conditions above those indicated in the operational section of this specification is not implied. Operation beyond the maximum operating conditions for extended periods may affect product reliability.

Table 3. Truth Table

| A1 | A0 | EN | ON Switch <sup>1</sup> |
|----|----|----|------------------------|
| X  | X  | 1  | None                   |
| 0  | 0  | 0  | RF1                    |
| 0  | 1  | 0  | RF2                    |
| 1  | 0  | 0  | RF3                    |
| 1  | 1  | 0  | RF4                    |

<sup>1</sup> Off switches have: 50 Ω termination to GND (ADG904); shunt to GND (ADG904-R).

# PIN CONFIGURATIONS AND FUNCTION DESCRIPTIONS

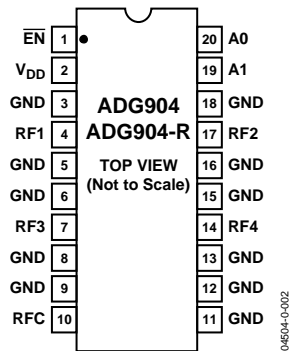
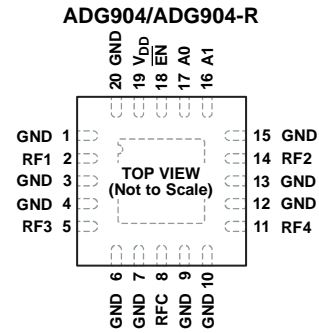


Figure 5. 20-Lead TSSOP (RU-20)



NOTES  
1. THE EXPOSED PAD IS TIED TO SUBSTRATE,  $V_{SS}$ .

Figure 6. 20-Lead 4 mm x 4mm LFCSP (CP-20-6)

Table 4. Pin Function Descriptions

| Pin No.                               |                                      | Mnemonic | Function   |
|---------------------------------------|--------------------------------------|----------|--|
| 20-Lead TSSOP                         | 20-Lead LFCSP                        |          |  |
| 1                                     | 18                                   | EN       | Active Low Digital Input. When high, the device is disabled and all switches are off. When low, Ax logic inputs determine On switches. |
| 2                                     | 19                                   | $V_{DD}$ | Power Supply Input. These parts can be operated from 1.65 V to 2.75 V. $V_{DD}$ should be decoupled to GND.                            |
| 3, 5, 6, 8, 9, 11, 12, 13, 15, 16, 18 | 1, 3, 4, 6, 7, 9, 10, 12, 13, 15, 20 | GND      | Ground Reference Point for All Circuitry on the Part.  |
| 4                                     | 2                                    | RF1      | RF1 Port.  |
| 7                                     | 5                                    | RF3      | RF3 Port.  |
| 10                                    | 8                                    | RFC      | Common RF Port for Switch.   |
| 14                                    | 11                                   | RF4      | RF4 Port.  |
| 17                                    | 14                                   | RF2      | RF2 Port.  |
| 19                                    | 16                                   | A1       | Logic Control Input.   |
| 20                                    | 17                                   | A0       | Logic Control Input.   |
| N/A                                   | 21                                   | EPAD     | Exposed Pad. The exposed pad is tied to substrate, $V_{SS}$ .  |

## TERMINOLOGY

Table 5.

| Parameter                                   | Description  |
|---|--|
| V <sub>DD</sub>                             | Most Positive Power Supply Potential.  |
| I <sub>DD</sub>                             | Positive Supply Current.   |
| GND   | Ground (0 V) Reference.  |
| AX  | Logic Control Input.   |
| V <sub>INL</sub>                            | Maximum Input Voltage for Logic 0.   |
| V <sub>INH</sub>                            | Minimum Input Voltage for Logic 1.   |
| I <sub>INL</sub> (I <sub>INH</sub> )        | Input Current of the Digital Input.  |
| C <sub>IN</sub>                             | Digital Input Capacitance.   |
| t <sub>ON</sub> ( $\overline{\text{EN}}$ )  | Delay between Applying the $\overline{\text{EN}}$ Control Input and the Output Switching On.   |
| t <sub>OFF</sub> ( $\overline{\text{EN}}$ ) | Delay between Applying the $\overline{\text{EN}}$ Control Input and the Output Switching Off.  |
| t <sub>RISE</sub>                           | Rise Time. Time for the RF signal to rise from 10% of the on level to 90% of the on level.   |
| t <sub>FALL</sub>                           | Fall Time. Time for the RF signal to fall from 90% of the on level to 10% of the on level.   |
| t <sub>TRANS</sub>                          | Transition Time. Delay between applying the digital control input and the output switching on.   |
| Off Isolation                               | The Attenuation between Input and Output Ports of the Switch when the Switch Control Voltage is in the Off Condition.  |
| Insertion Loss                              | The Attenuation between Input and Output Ports of the Switch when the Switch Control Voltage is in the On Condition.   |
| Crosstalk                                   | Measure of Unwanted Signal Coupled through from One Channel to Another as a Result of Parasitic Capacitance.   |
| P <sub>-1 dB</sub>                          | 1 dB Compression Point. The RF input power level at which the switch insertion loss increases by 1 dB over its low level value. P <sub>-1 dB</sub> is a measure of how much power the on switch can handle before the insertion loss increases by 1 dB.  |
| IP <sub>3</sub>                             | Third-Order Intermodulation Intercept. This is a measure of the power in false tones that occur when closely spaced tones are passed through a switch, and the nonlinearity of the switch causes these false tones to be generated.  |
| Return Loss                                 | The Amount of Reflected Power Relative to the Incident Power at a Port. Large return loss indicates good matching. By measuring return loss, the voltage standing wave ratio (VSWR) can be calculated from conversion charts. VSWR indicates the degree of matching present at a switch RF port. |
| Video Feedthrough                           | Spurious Signals Present at the RF Ports of the Switch when the Control Voltage Is Switched from High to Low or Low to High without an RF Signal Present.  |

TYPICAL PERFORMANCE CHARACTERISTICS

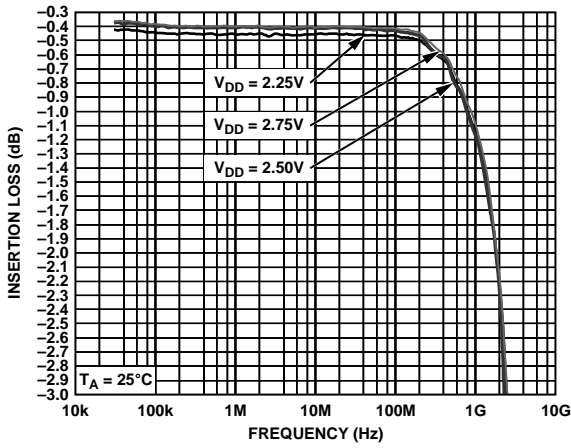


Figure 7. Insertion Loss vs. Frequency over Supplies (RF1-RF4, S12, and S21)

04504-0-015

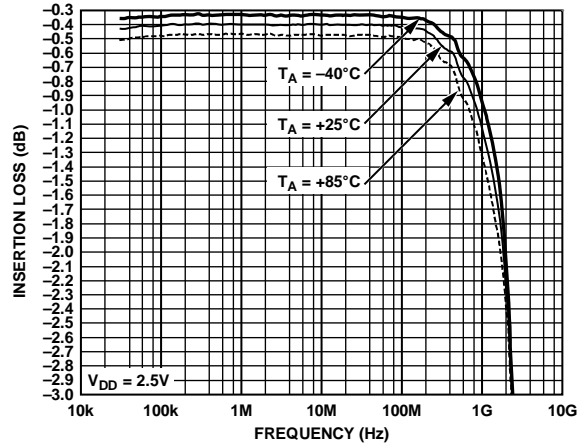


Figure 10. Insertion Loss vs. Frequency over Temperature ((RF1-RF4, S12, and S21)

04504-0-016

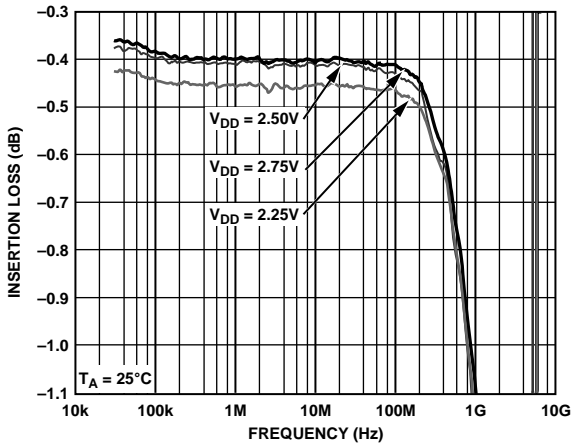


Figure 8. Insertion Loss vs. Frequency over Supplies (RF1-RF4, S12, and S21). Zoomed Figure 7 Plot

04504-0-014

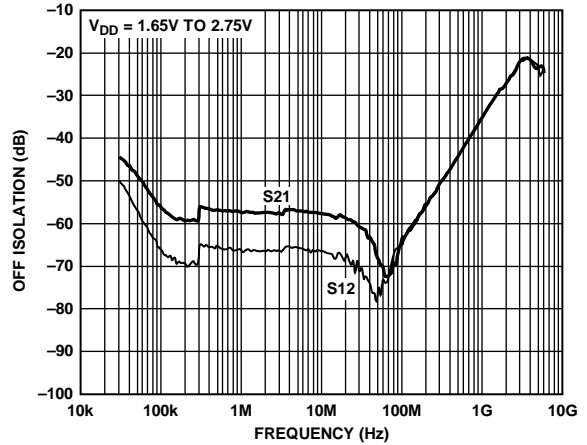


Figure 11. Isolation vs. Frequency over Supplies (RF1-RF4, S12, and S21)

04504-0-017

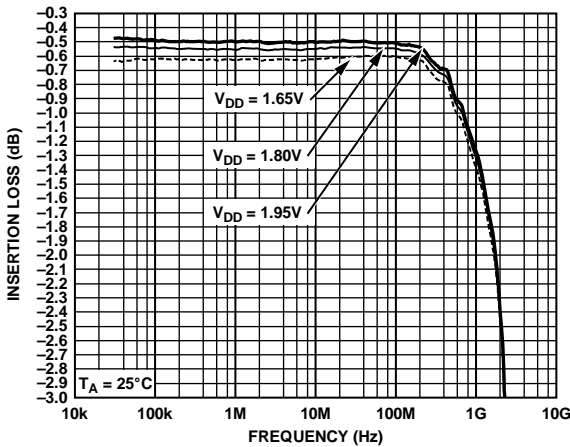


Figure 9. Insertion Loss vs. Frequency over Supplies (RF1-RF4, S12, and S21)

04504-0-013

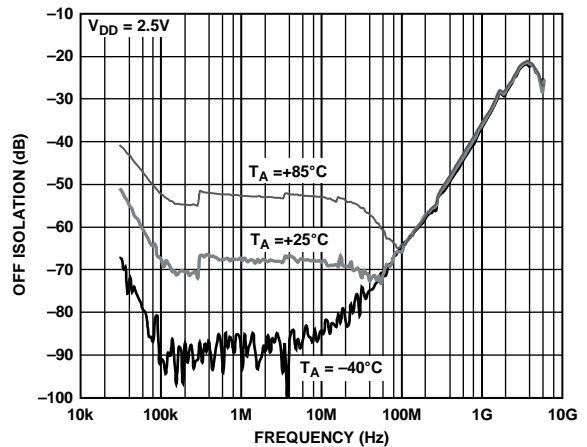


Figure 12. Isolation vs. Frequency over Temperature (RF1-RF4, S12, and S21)

04504-0-018

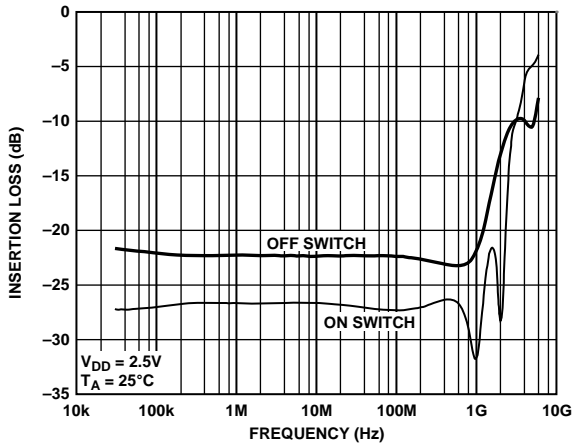


Figure 13. Return Loss vs. Frequency (RF1-RF4, S11)

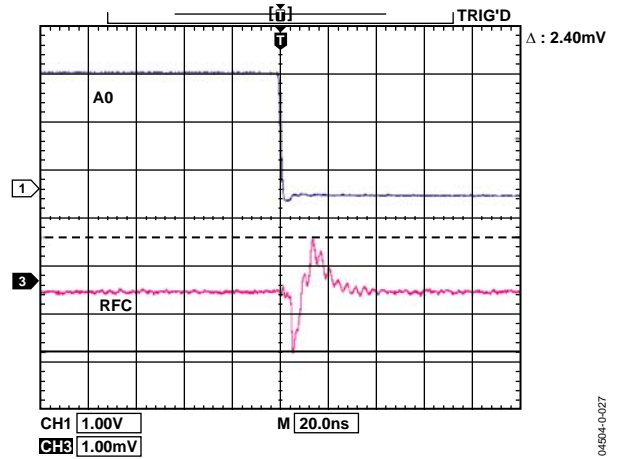


Figure 16. Video Feedthrough

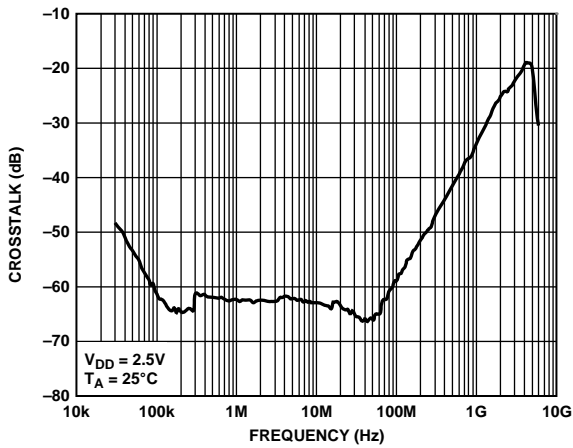


Figure 14. Crosstalk vs. Frequency

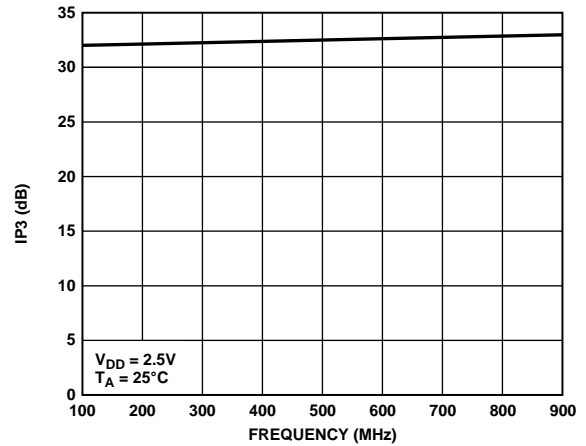


Figure 17. IP3 vs. Frequency

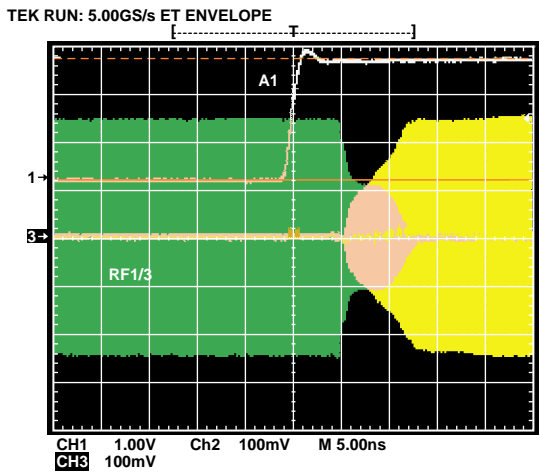


Figure 15. Switch Timing

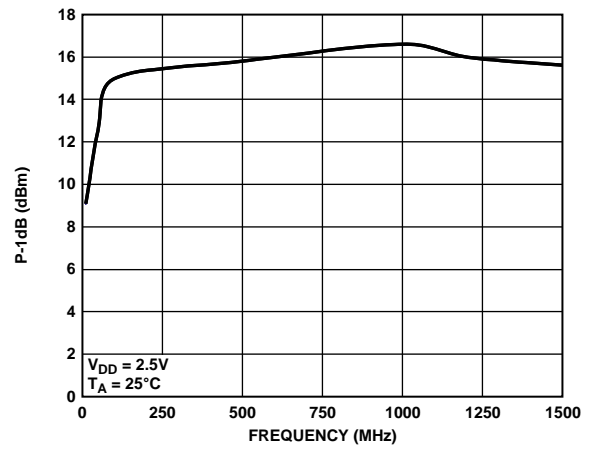


Figure 18. P-1 dB vs. Frequency



TEST CIRCUITS

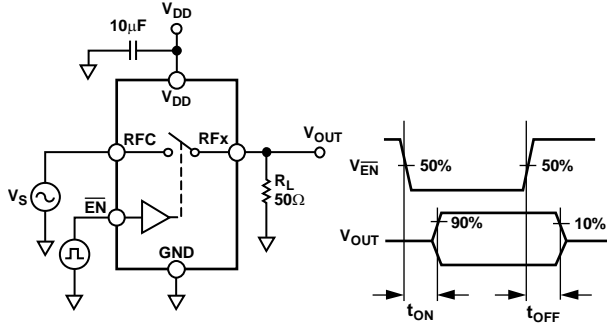


Figure 19. Switch Timing:  $t_{ON}$ ,  $t_{OFF}$

04504-0-004

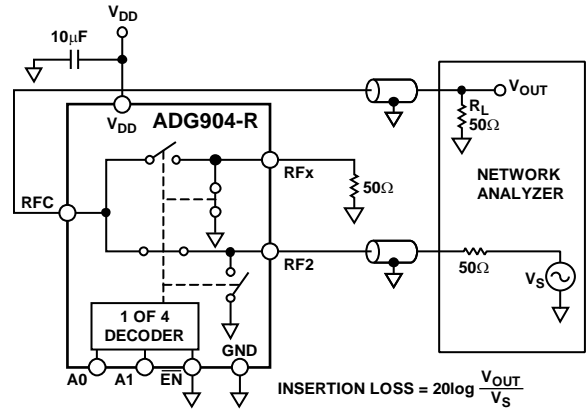


Figure 22. Insertion Loss

04504-0-007

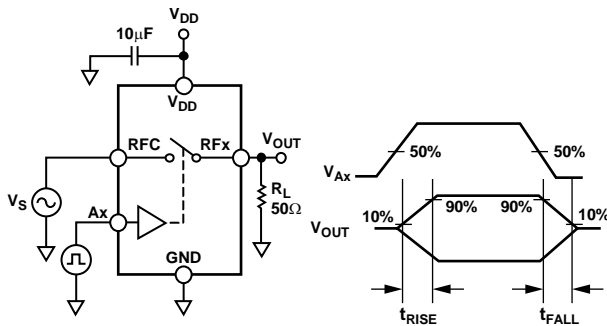


Figure 20. Switch Timing:  $t_{RISE}$ ,  $t_{FALL}$

04504-0-005

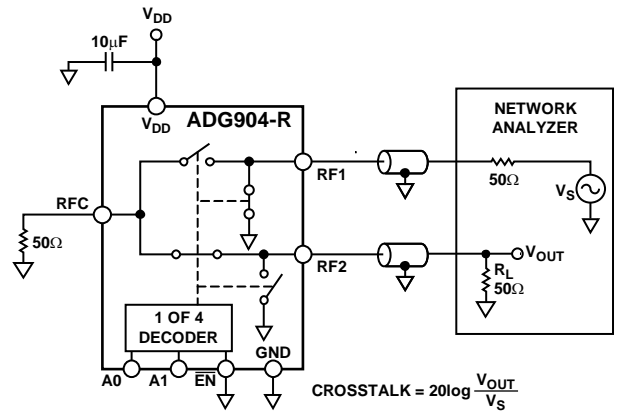


Figure 23. Crosstalk

04504-0-008

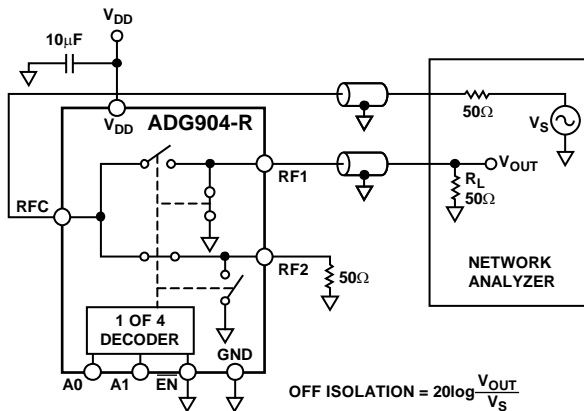


Figure 21. Off Isolation

04504-0-006

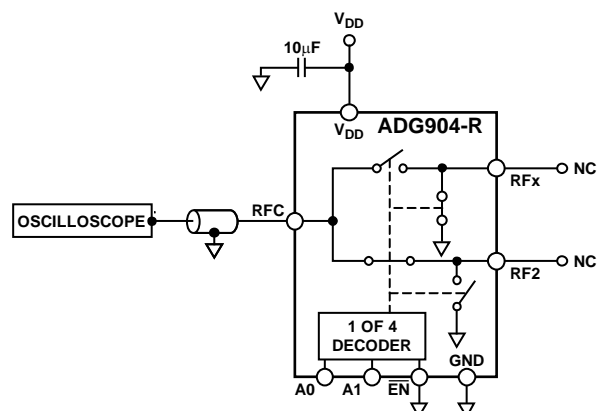


Figure 24. Video Feedthrough

04504-0-009

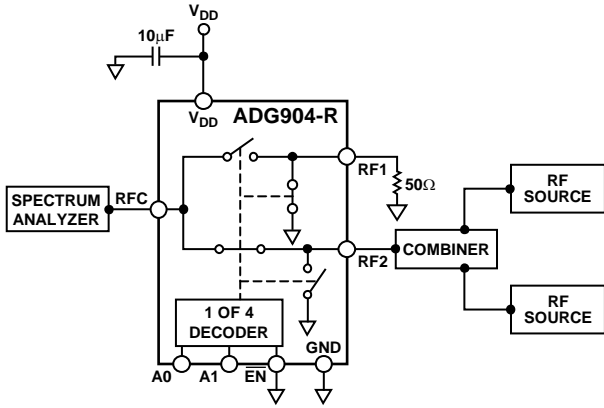


Figure 25.  $IP_3$

04504-0-010

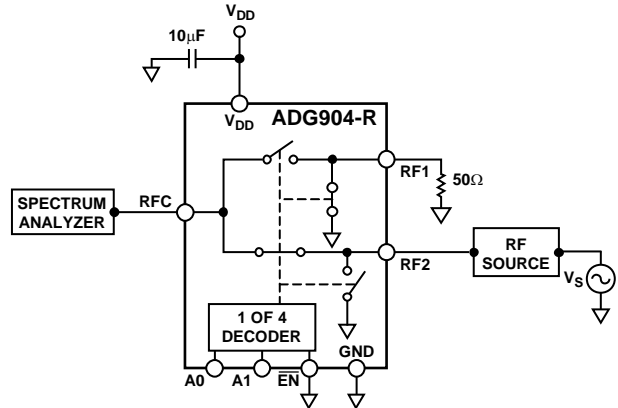


Figure 26. P-1 dB

04504-0-011

## APPLICATIONS

The ADG904 and ADG904-R are ideal solutions for low power, high frequency applications. The low insertion loss, high isolation between ports, low distortion, and low current consumption of these parts make them excellent solutions for many high frequency switching applications. They may be used in applications such as switchable filters, transmitters and receivers for radar systems, and communications systems from base stations to cell phones.

The ADG9xx wideband switches are designed to meet the demands of devices that transmit at ISM band frequencies of 1 GHz and higher. The low insertion loss, high isolation between ports, single pin control interface, no requirement for dc blocking capacitors, and TTL interface compatibility of these parts make them cost-effective and an easy-to-integrate switching solution for many high frequency switching applications and low power applications where the parts can handle up to 16 dBm of power.

### ABSORPTIVE VS. REFLECTIVE

The ADG904 is an absorptive (matched) switch with 50 Ω terminated shunt legs; the ADG904-R is a reflective switch with 0 Ω terminated shunts to ground. The ADG904 absorptive switch has a good VSWR on each port, regardless of the switch mode. An absorptive switch should be used when there is a need for a good VSWR that is looking into the port but not passing the through signal to the common port. The ADG904 is therefore ideal for applications that require minimum reflections back to the RF source. It also ensures that the maximum power is transferred to the load.

The ADG904-R reflective switch is suitable for applications where high off port VSWR does not matter, and the switch has other performance features. It may be used in many applications, including high speed filter selection. In most cases, an absorptive switch may be used instead of a reflective switch, but not vice versa.

### ANTENNA DIVERSITY SWITCH

The ADG904 is ideal for use as an antenna diversity switch, switching different antennas into the tuner. The low insertion loss ensures minimum signal loss and high isolation between channels, making these SP4T switches suitable for switching applications in tuner modules and set-top boxes.

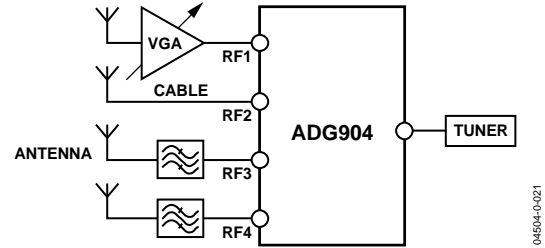


Figure 27. Tuner Modules

04504-0-021

### FILTER SELECTION

The ADG904 can be used to switch high frequency signals between different filters and to multiplex the signal to the output. These SP4T switches are also ideal for high speed signal routing.

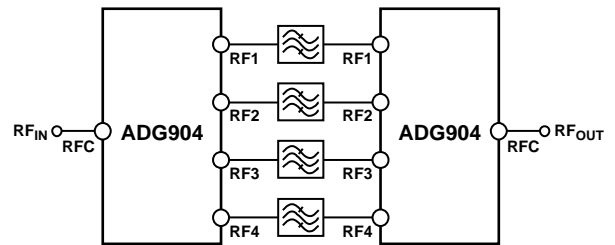


Figure 28. Filter Selection

04504-0-022

### Tx/Rx SWITCHING

The low insertion loss and high isolation between ports ensure that the ADG904 and ADG904-R are suitable transmit/receive switches for all ISM band and wireless LAN, providing the required isolation between the transmit signal and the receive signal.

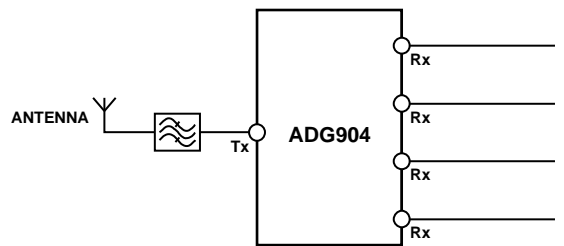


Figure 29. Tx/Rx Switching

04504-0-023

## EVALUATION BOARD

The ADG904/ADG904-R evaluation board allows designers to evaluate the high performance, wideband switches with minimal effort.

Only a power supply and a network analyzer, along with the evaluation board, are required to demonstrate that these devices meet user requirements. An application note, available with the evaluation board, provides complete operating information.

The RFC port (see Figure 30) is connected through a 50 Ω transmission line to the bottom left SMA connector, J4. RF1, RF2, RF3, and RF4 are connected through 50 Ω transmission lines to SMA connectors J5, J6, J7, and J8, respectively. A through transmission line connects J9 and J10; this transmission line is used to estimate the loss of the PCB over the environmental conditions being evaluated.

The board is constructed of four-layer, FR4 material with a dielectric constant of 4.3 and an overall thickness of 0.062 inches. Two ground layers with grounded planes provide ground for the RF transmission lines. The transmission lines were designed using a coplanar waveguide with a ground plane model using a trace width of 0.024 inches, clearance to ground plane of 0.008 inches, dielectric thickness of 0.02 inches, and a metal thickness of 0.0021 inches.

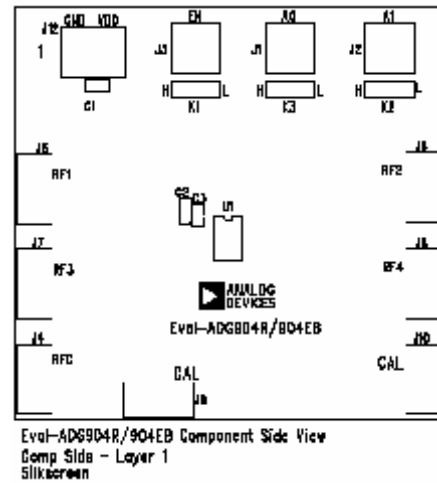
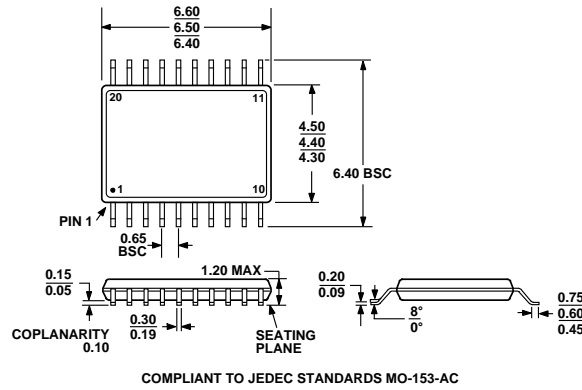


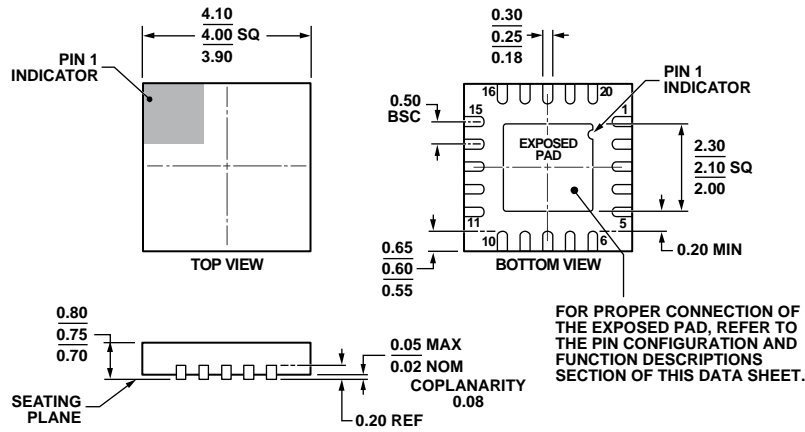
Figure 30. ADG904/ADG904-R Evaluation Board Top View

04504-0-024

OUTLINE DIMENSIONS



COMPLIANT TO JEDEC STANDARDS MO-153-AC  
 Figure 31. 20-Lead Thin Shrink Small Outline Package [TSSOP]  
 (RU-20)  
 Dimensions shown in millimeters



COMPLIANT TO JEDEC STANDARDS MO-220-WGGD-1.  
 Figure 32. 20-Lead Lead Frame Chip Scale Package [LFCSP\_WQ]  
 4 mm x 4 mm Body, Very Very Thin Quad  
 (CP-20-6)  
 Dimensions shown in millimeters

08-16-2010-B

**ORDERING GUIDE**

| Model <sup>1, 2</sup> | Temperature Range | Package Description                               | Package Option |
|-----------------------|-------------------|---|----------------|
| ADG904BCPZ            | -40°C to +85°C    | 20-Lead Lead Frame Chip Scale Package [LFCSP_WQ]  | CP-20-6        |
| ADG904BCPZ-REEL       | -40°C to +85°C    | 20-Lead Lead Frame Chip Scale Package [LFCSP_WQ]  | CP-20-6        |
| ADG904BCPZ-REEL7      | -40°C to +85°C    | 20-Lead Lead Frame Chip Scale Package [LFCSP_WQ]  | CP-20-6        |
| ADG904BRUZ            | -40°C to +85°C    | 20-Lead Thin Shrink Small Outline Package [TSSOP] | RU-20          |
| ADG904BRUZ-R          | -40°C to +85°C    | 20-Lead Thin Shrink Small Outline Package (TSSOP) | RU-20          |
| ADG904BRUZ-REEL7      | -40°C to +85°C    | 20-Lead Thin Shrink Small Outline Package (TSSOP) | RU-20          |
| ADW54011Z-0REEL7      | -40°C to +85°C    | 20-Lead Thin Shrink Small Outline Package (TSSOP) | RU-20          |
| EVAL-ADG904EBZ        |                   | Evaluation Board                                  |                |
| EVAL-ADG904REBZ       |                   | Evaluation Board                                  |                |

<sup>1</sup> Z = RoHS compliant part.

<sup>2</sup> W = Qualified for Automotive Applications.

**AUTOMOTIVE PRODUCTS**

The ADW54011Z model is available with controlled manufacturing to support the quality and reliability requirements of automotive applications. Note that this automotive model may have specifications that differ from the commercial models; therefore, designers should review the Specifications section of this data sheet carefully. Only the automotive grade product shown are available for use in automotive applications. Contact your local Analog Devices account representative for specific product ordering information and to obtain the specific Automotive Reliability reports for this model.

**NOTES**

**NOTES**





Компания «ЭлектроПласт» предлагает заключение долгосрочных отношений при поставках импортных электронных компонентов на взаимовыгодных условиях!

Наши преимущества:

- Оперативные поставки широкого спектра электронных компонентов отечественного и импортного производства напрямую от производителей и с крупнейших мировых складов;
- Поставка более 17-ти миллионов наименований электронных компонентов;
- Поставка сложных, дефицитных, либо снятых с производства позиций;
- Оперативные сроки поставки под заказ (от 5 рабочих дней);
- Экспресс доставка в любую точку России;
- Техническая поддержка проекта, помощь в подборе аналогов, поставка прототипов;
- Система менеджмента качества сертифицирована по Международному стандарту ISO 9001;
- Лицензия ФСБ на осуществление работ с использованием сведений, составляющих государственную тайну;
- Поставка специализированных компонентов (Xilinx, Altera, Analog Devices, Intersil, Interpoint, Microsemi, Aeroflex, Peregrine, Syfer, Eurofarad, Texas Instrument, Miteq, Cobham, E2V, MA-COM, Hittite, Mini-Circuits, General Dynamics и др.);

Помимо этого, одним из направлений компании «ЭлектроПласт» является направление «Источники питания». Мы предлагаем Вам помощь Конструкторского отдела:

- Подбор оптимального решения, техническое обоснование при выборе компонента;
- Подбор аналогов;
- Консультации по применению компонента;
- Поставка образцов и прототипов;
- Техническая поддержка проекта;
- Защита от снятия компонента с производства.



#### Как с нами связаться

**Телефон:** 8 (812) 309 58 32 (многоканальный)

**Факс:** 8 (812) 320-02-42

**Электронная почта:** [org@eplast1.ru](mailto:org@eplast1.ru)

**Адрес:** 198099, г. Санкт-Петербург, ул. Калинина, дом 2, корпус 4, литера А.