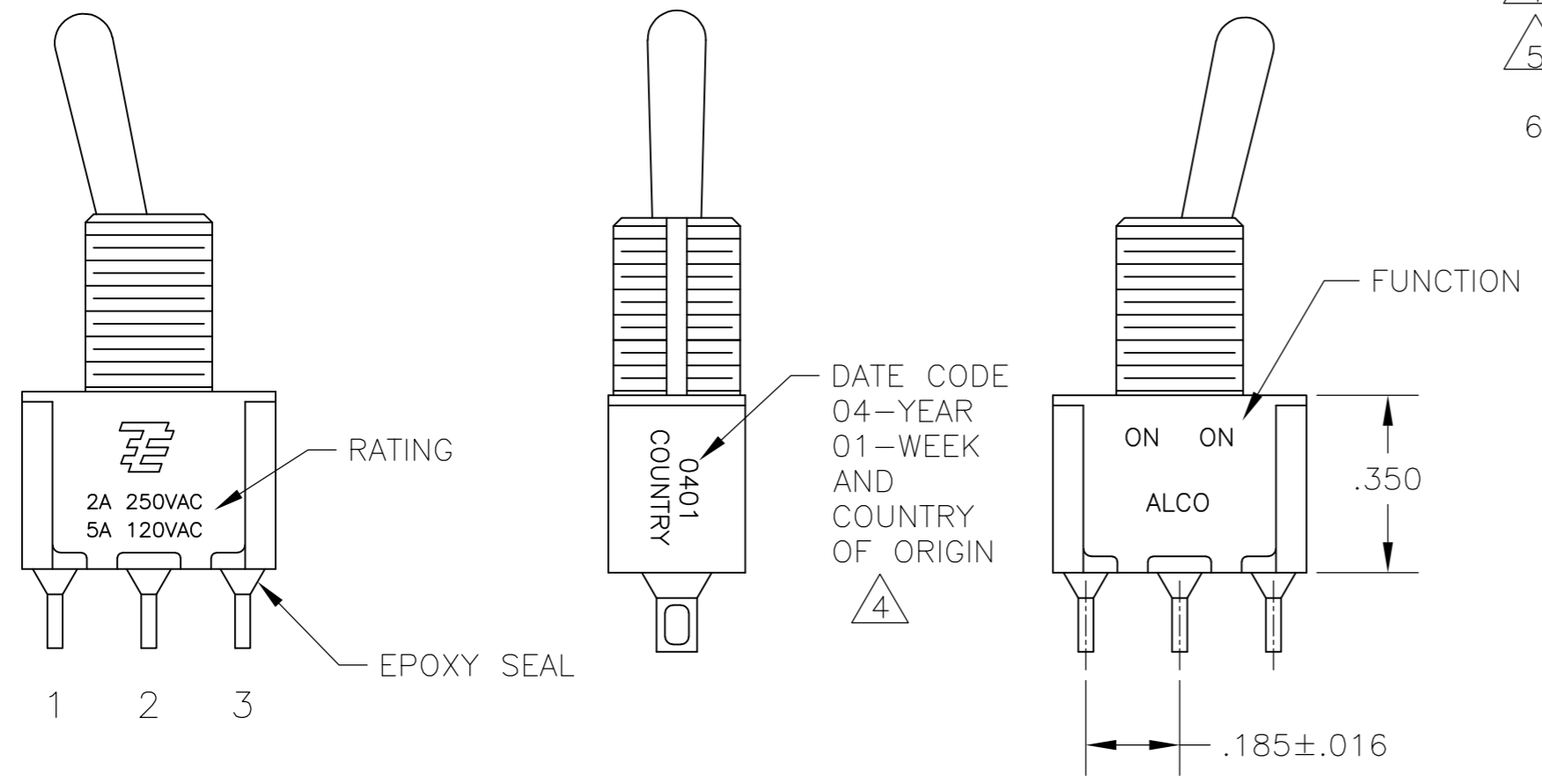
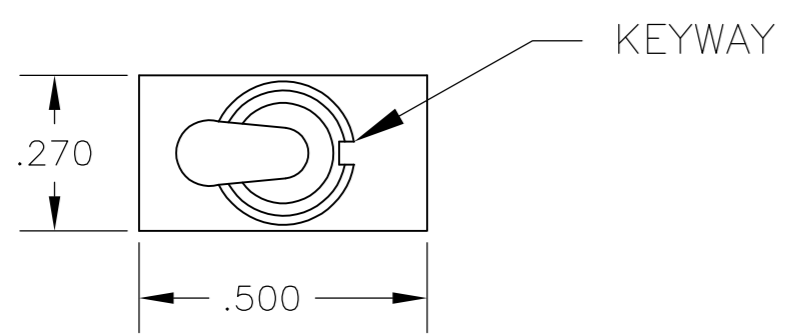


THIS DRAWING IS UNPUBLISHED. RELEASED FOR PUBLICATION
 © COPYRIGHT - By - ALL RIGHTS RESERVED.

REVISIONS					
P	LTR	DESCRIPTION	DATE	DWN	APVD
A7		REVISED PER ECR-16-004460	30MAR2016	RS	RH



- ALL MATERIALS AND FINISHES SHALL COMPLY WITH EU DIRECTIVE 2002/95/EC OF 27JAN2003 (ROHS).
- EACH SWITCH WITH THREADED BUSHINGS SUPPLIED WITH THE FOLLOWING MOUNTING HARDWARE:
 (2) HEX NUTS
 (1) INTERNAL TOOTH LOCKWASHER
 (1) LOCATING RING.
- G CONTACT OPTION CAN BE USED FOR SIGNAL OR POWER LEVEL SWITCHING. IF SWITCH IS USED AT LEVELS EXCEEDING .4VA @ 20V AC/DC, SWITCH IS RENDERED FOR POWER SWITCHING ONLY DUE TO ARC REMOVAL OF GOLD PLATING. RATING MARKED ON FRAME IS 2A 250VAC, 5A 120VAC.
- DATE CODE AND COUNTRY OF ORIGIN MAY APPEAR ON EITHER SIDE OF SWITCH.
- LENGTH OF TOGGLE REDUCED BY .020 WITH A, AV2, V30 OR V40 VERTICAL SUPPORT BRACKET OPTIONS.
- ALL LOGO, RATING, DATE CODE, AND FUNCTION MARKINGS TO BE LASER MARKED.

FUNCTION	1 2 3	1 2 3	1 2 3
01	ON	NONE	ON
03	ON	OFF	ON
08	ON	NONE	(ON)
TERMINALS CONNECTED	2-3	---	1-2

None: No mechanical position
 Off: Mechanical position with no electrical connection
 (On): Momentary action

RATING, B CONTACTS	.4VA MAX @20V MAX. AC OR DC
RATING, G CONTACTS—SEE NOTE 3	.4VA MAX @20V MAX. AC OR DC OR
	5A @120 VAC OR 28 VDC (RESISTIVE)
RATING, Q CONTACTS	2A @250 VAC (RESISTIVE)
	5A @120 VAC OR 28 VDC (RESISTIVE)
ELECTRICAL LIFE	6,000 CYCLES AT RATED LOAD
CONTACT RESISTANCE	10 MILLIOHMS MAX INITIAL @ 2-4VDC, 100ma
INSULATION RESISTANCE	1,000 MEGOHMS MIN
DIELECTRIC WITHSTANDING VOLTAGE	1,000 V RMS AT SEA LEVEL
OPERATING TEMPRATURE	-30C TO 85C

MODEL	FUNCTION	TOGGLE	BUSHING	TERMINAL	CONTACT	RoHS
A1	01	K	CW	A	B	04
		K1	D	AV2	G	
	08	L	D9	C	Q	
		L1	H	V30		
		L2	Y	V40		
		M	Y9	W		
		P3		W4		
		S		Z		
		T		Z3		
		T1				

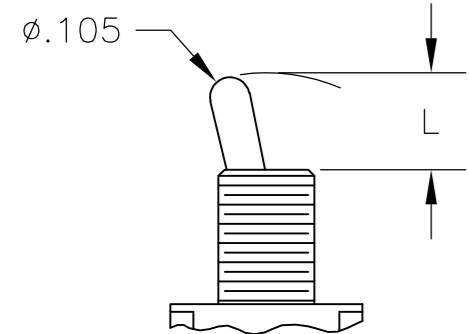
EXAMPLE: A101SYCQ04

THIS DRAWING IS A CONTROLLED DOCUMENT.		DWN B.S.VISWESWARA 14APR05		
DIMENSIONS: INCHES		CHK M.ZITTO		
TOLERANCES UNLESS OTHERWISE SPECIFIED:		APVD P.BROUILLETTE	NAME	
0 PLC ± -		PRODUCT SPEC	GEMINI A SERIES TOGGLE SWITCH, SINGLE POLE, 2 POSITION FUNCTIONS (01 & 08)	
1 PLC ± -		APPLICATION SPEC	SIZE	RESTRICTED TO
2 PLC ± -			CAGE CODE	DRAWING NO
3 PLC ± .010			00779	C=1825136
4 PLC ± -			SCALE	SHEET
ANGLES ± 2°			3:1	1 of 4
MATERIAL	FINISH	WEIGHT 0	CUSTOMER DRAWING	REV A7

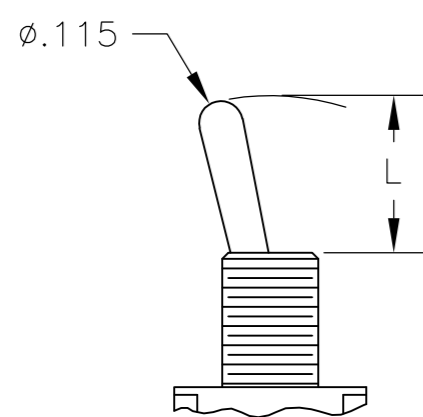
THIS DRAWING IS UNPUBLISHED. RELEASED FOR PUBLICATION. ALL RIGHTS RESERVED.

REVISIONS					
P	LTR	DESCRIPTION	DATE	DWN	APVD
-	-	SEE SHEET 1	-	-	-

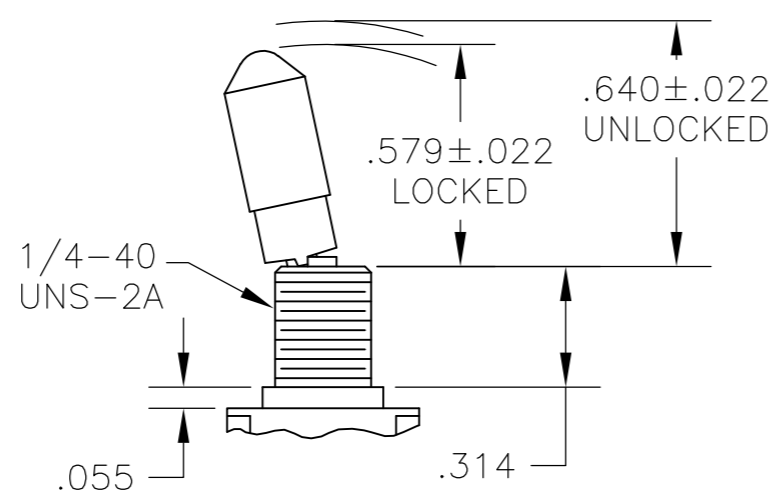
TOGGLES



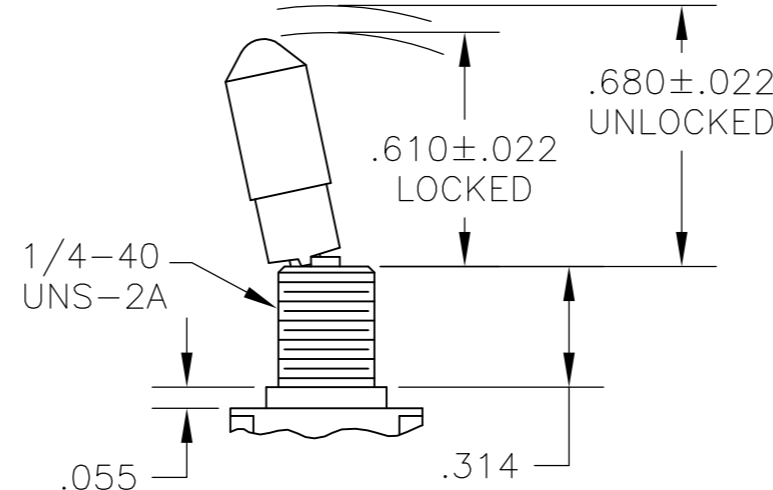
M SHORT



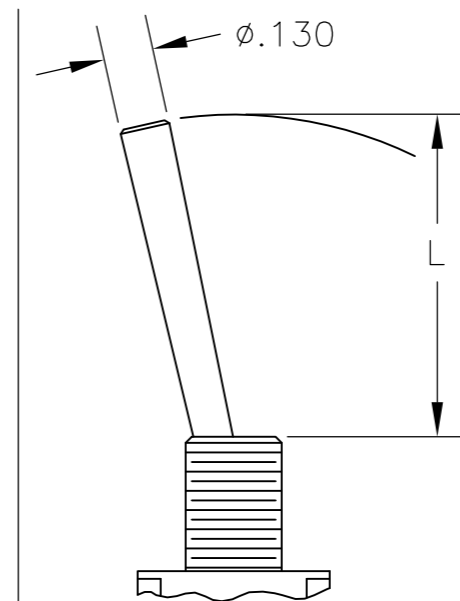
S STANDARD



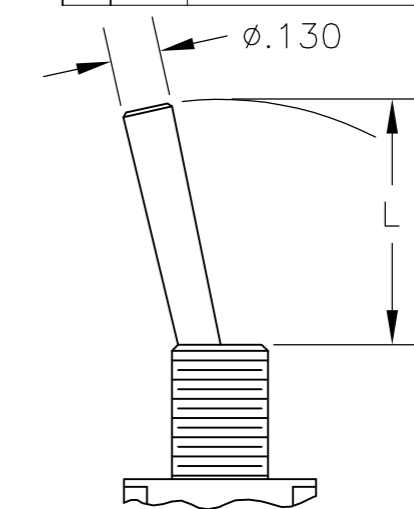
K NO BUSHING OPTION NEEDED



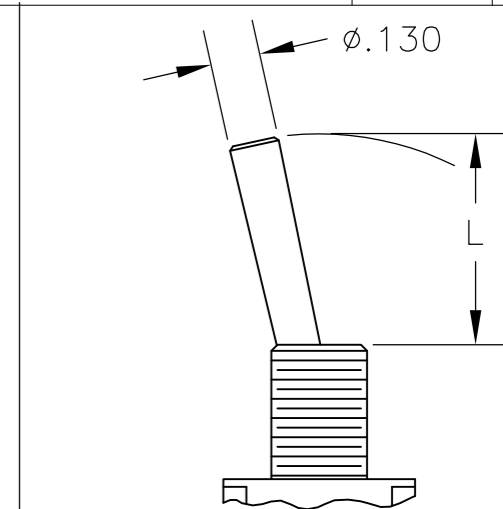
K1 NO BUSHING OPTION NEEDED



L LEVER



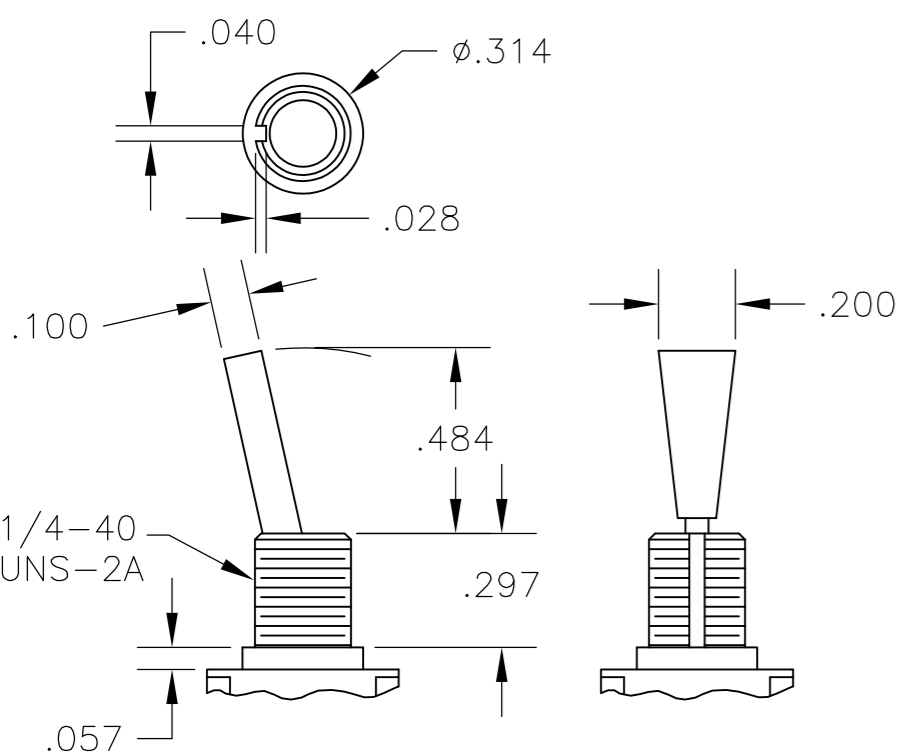
L1 LEVER



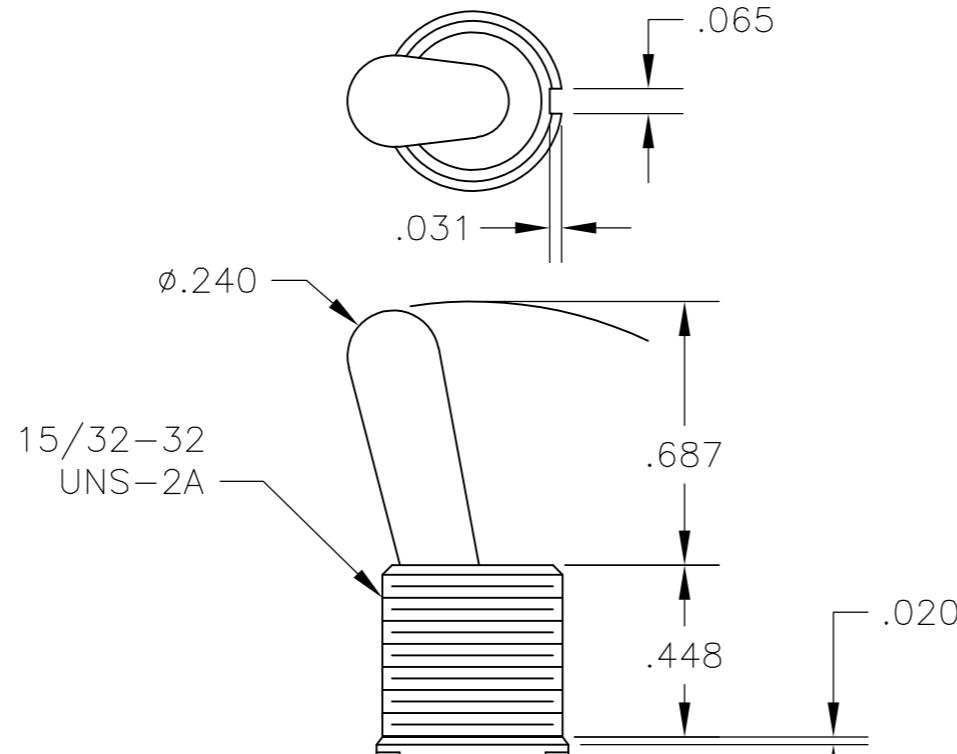
L2 LEVER

DIM L	BUSHING TYPE	DIM L	BUSHING TYPE
.200	Y, H	.410	Y, H
.270	D, D9	.480	D, D9

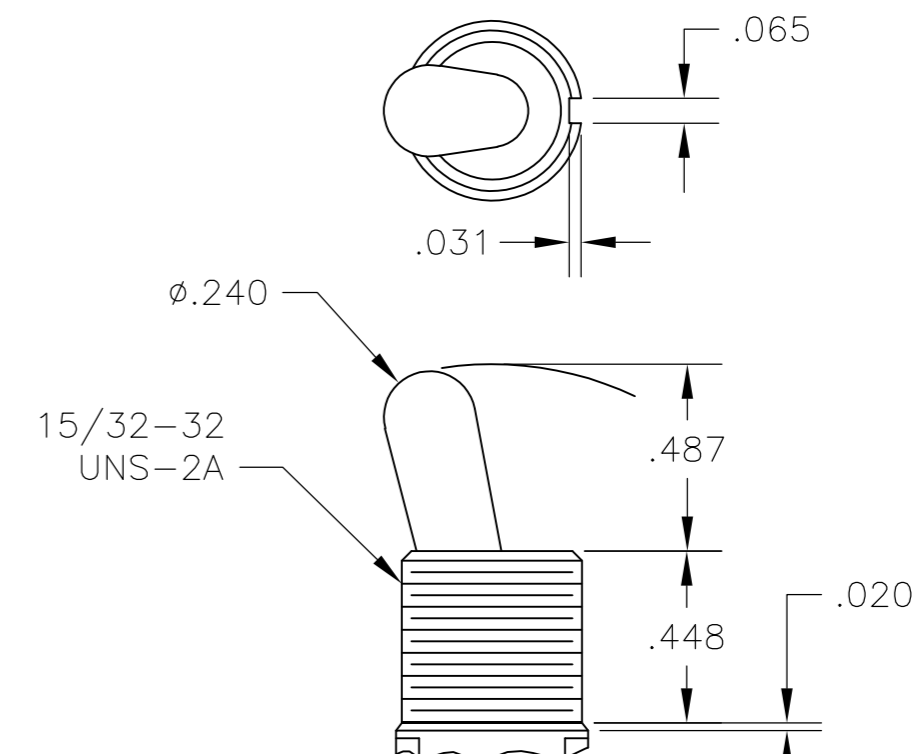
DIM L	BUSHING TYPE	DIM L	BUSHING TYPE	DIM L	BUSHING TYPE
.840	Y, H	.640	Y, H	.550	Y, H
.910	D, D9	.710	D, D9	.620	D, D9



P3 NO BUSHING OPTION NEEDED

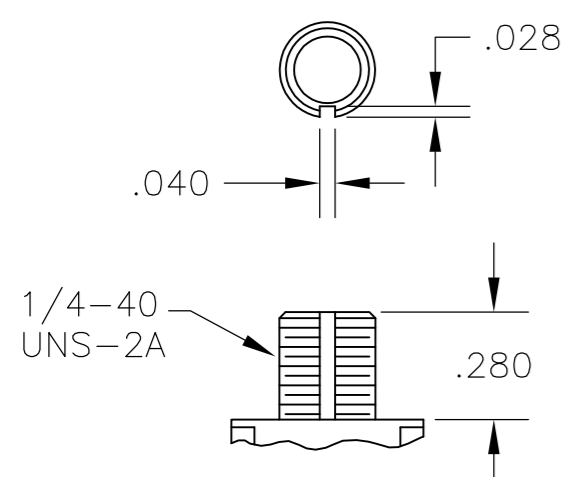


T NO BUSHING OPTION NEEDED



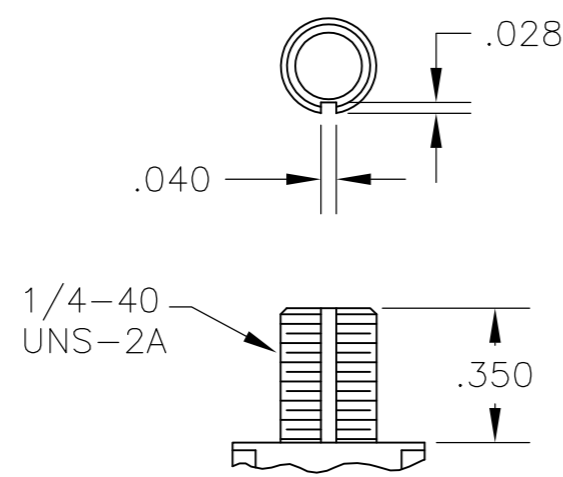
T1 NO BUSHING OPTION NEEDED

BUSHINGS



D THREADED

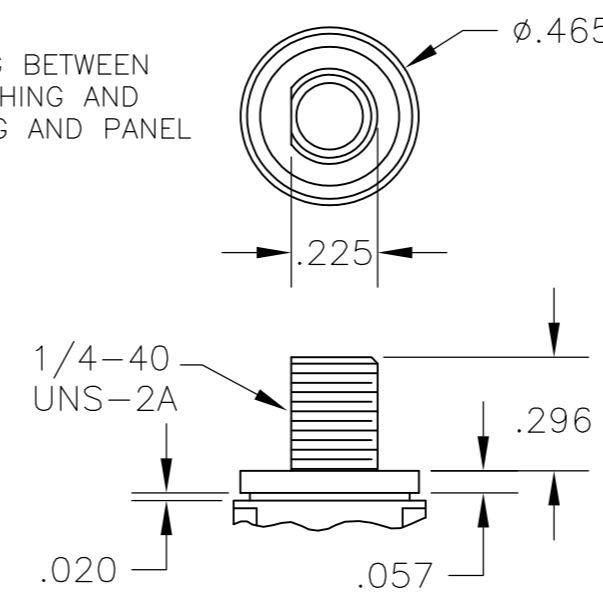
D9 UNTHREADED



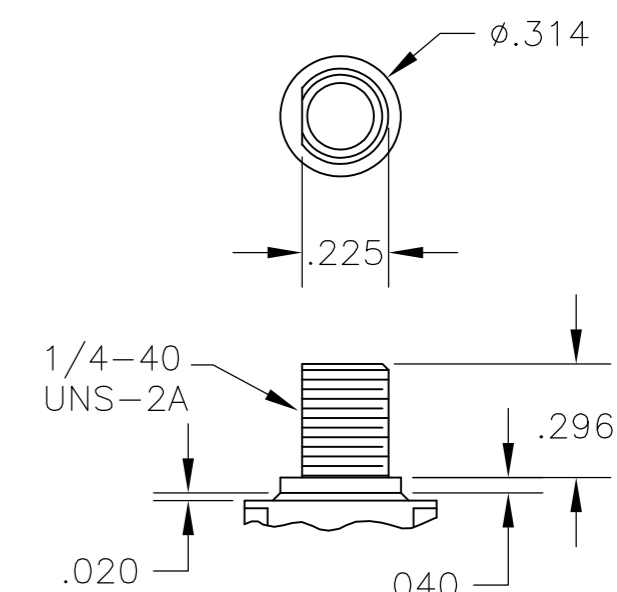
Y THREADED

Y9 UNTHREADED

CONTAINS O-RING BETWEEN TOGGLE AND BUSHING AND BETWEEN BUSHING AND PANEL



CW THREADED SPLASHPROOF



H HIGH TORQUE

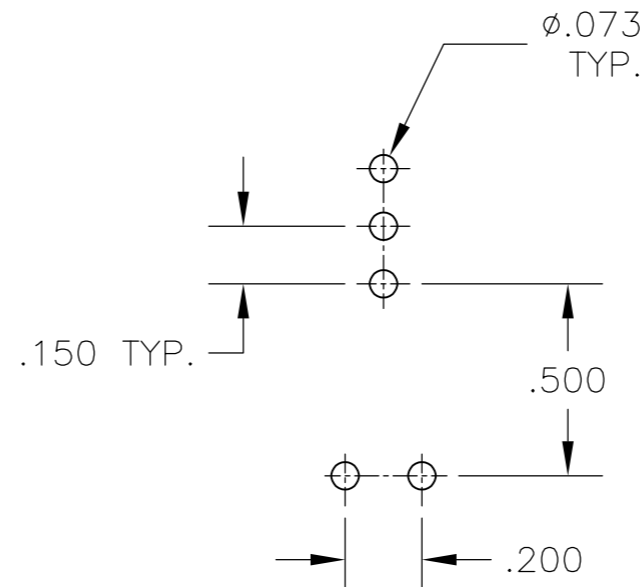
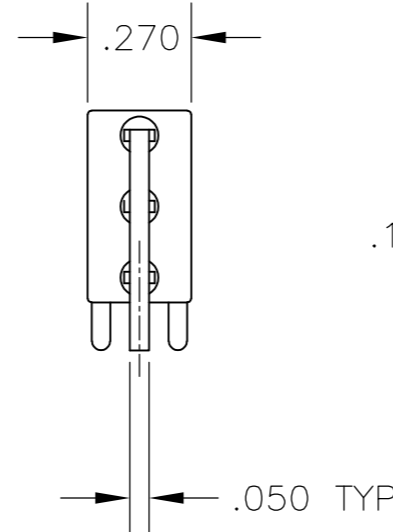
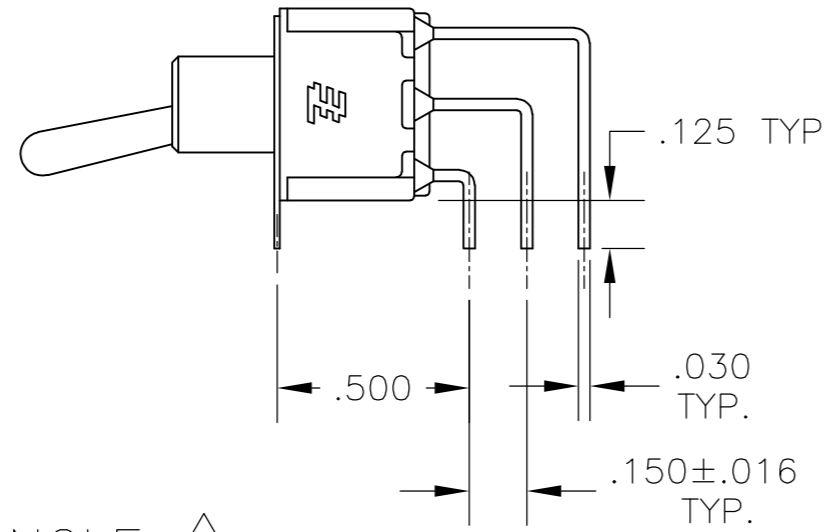
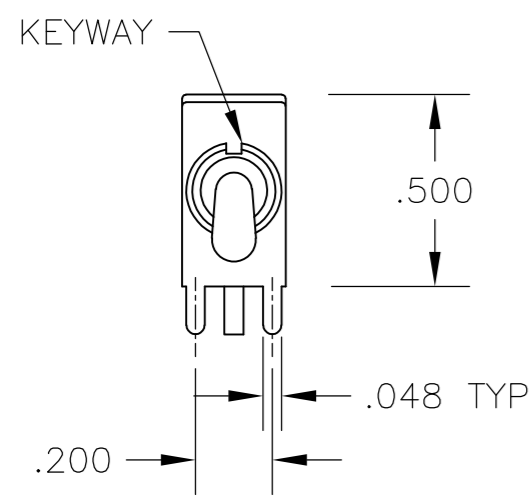
THIS DRAWING IS A CONTROLLED DOCUMENT.

DIMENSIONS: INCHES	TOLERANCES UNLESS OTHERWISE SPECIFIED:	DWN: B.S.VISWESWARA	14APR05	 TE Connectivity	
	0 PLC ± -	CHK: M.ZITTO	-		
	1 PLC ± -	APVD: P.BROUILLETTE	-		
	2 PLC ± -	PRODUCT SPEC	-		
	3 PLC ± .010	APPLICATION SPEC	-		
MATERIAL	FINISH	SIZE: A2	CAGE CODE: 00779	DRAWING NO: C=1825136	RESTRICTED TO: -
		WEIGHT: -	SCALE: 2:1	SHEET: 2 of 4	REV: A7

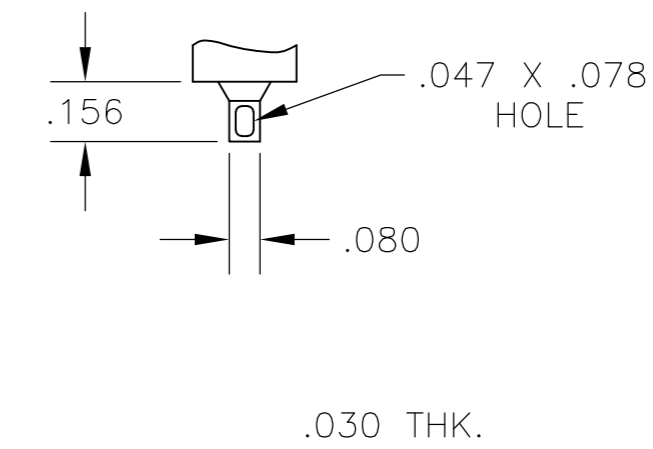
CUSTOMER DRAWING

THIS DRAWING IS UNPUBLISHED. RELEASED FOR PUBLICATION
 © COPYRIGHT - By - ALL RIGHTS RESERVED.

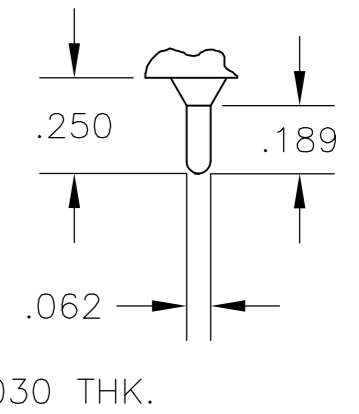
REVISIONS				
P	LTR	DESCRIPTION	DATE	APVD
-	-	SEE SHEET 1	-	-



RECOMMENDED PCB LAYOUT

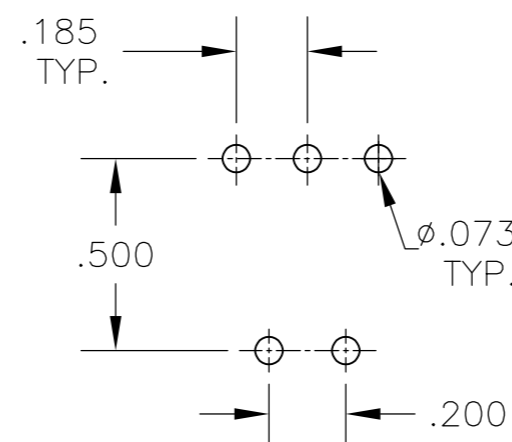
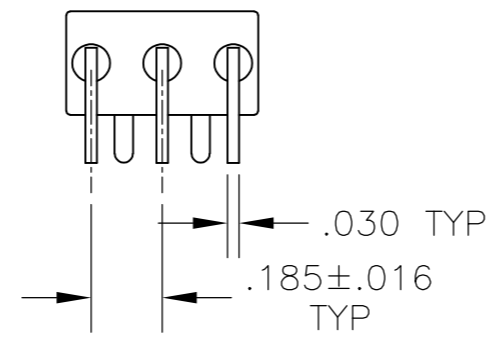
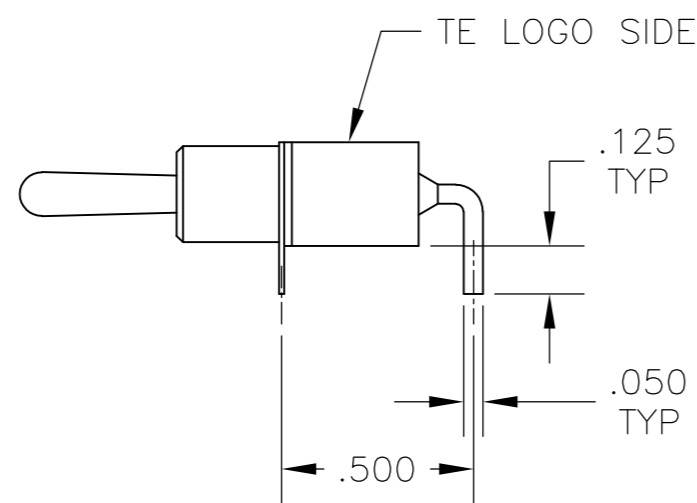
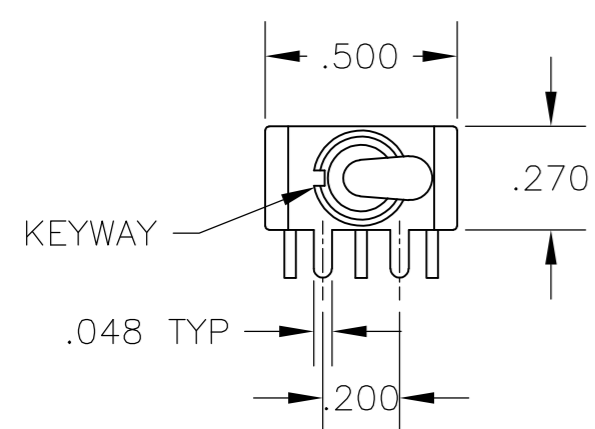


Z WIRE LUG

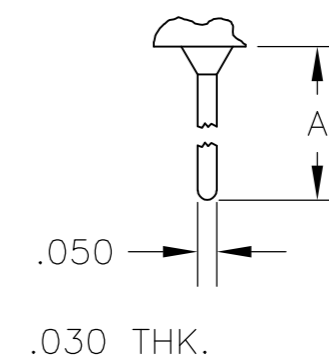


Z3 QUICK CONNECT

AV2 VERTICAL RIGHT ANGLE \triangle



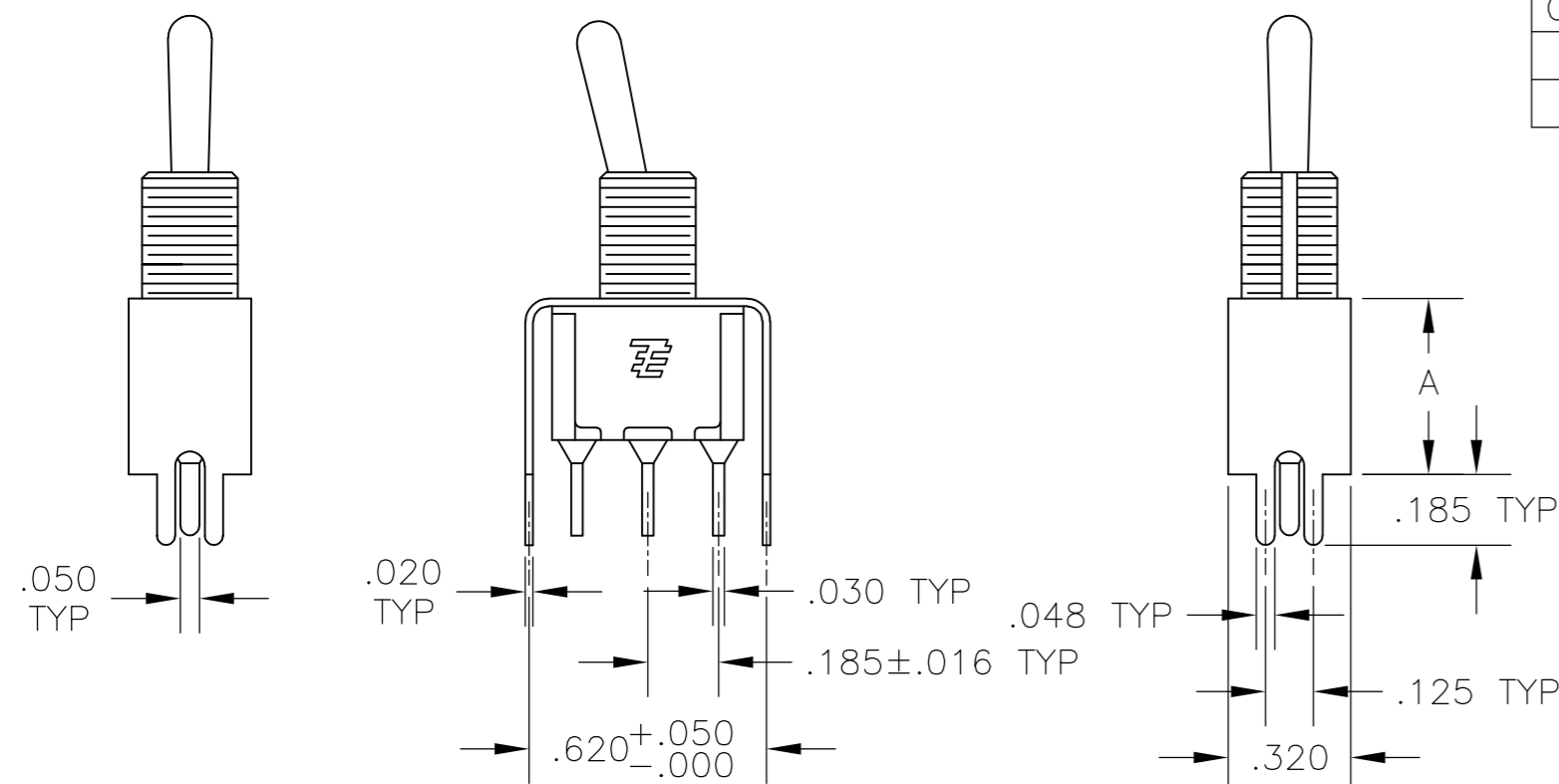
RECOMMENDED PCB LAYOUT



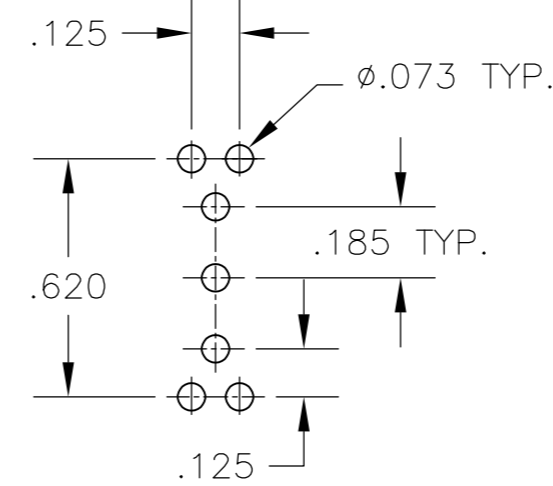
W W4 WIRE WRAP

OPTION	DIM A
W	.736
W4	1.062

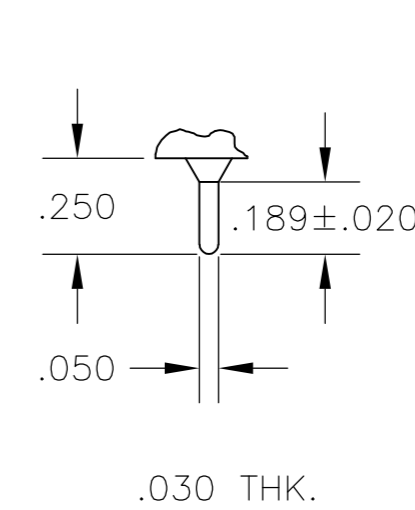
A RIGHT ANGLE \triangle



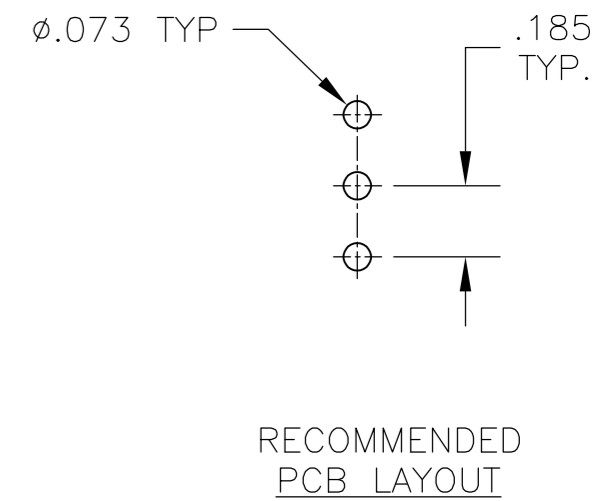
OPTION	DIM A
V30	.460
V40	.630



RECOMMENDED PCB LAYOUT



C PRINTED CIRCUIT



RECOMMENDED PCB LAYOUT

V30 V40 \triangle
 VERTICAL SUPPORT BRACKET

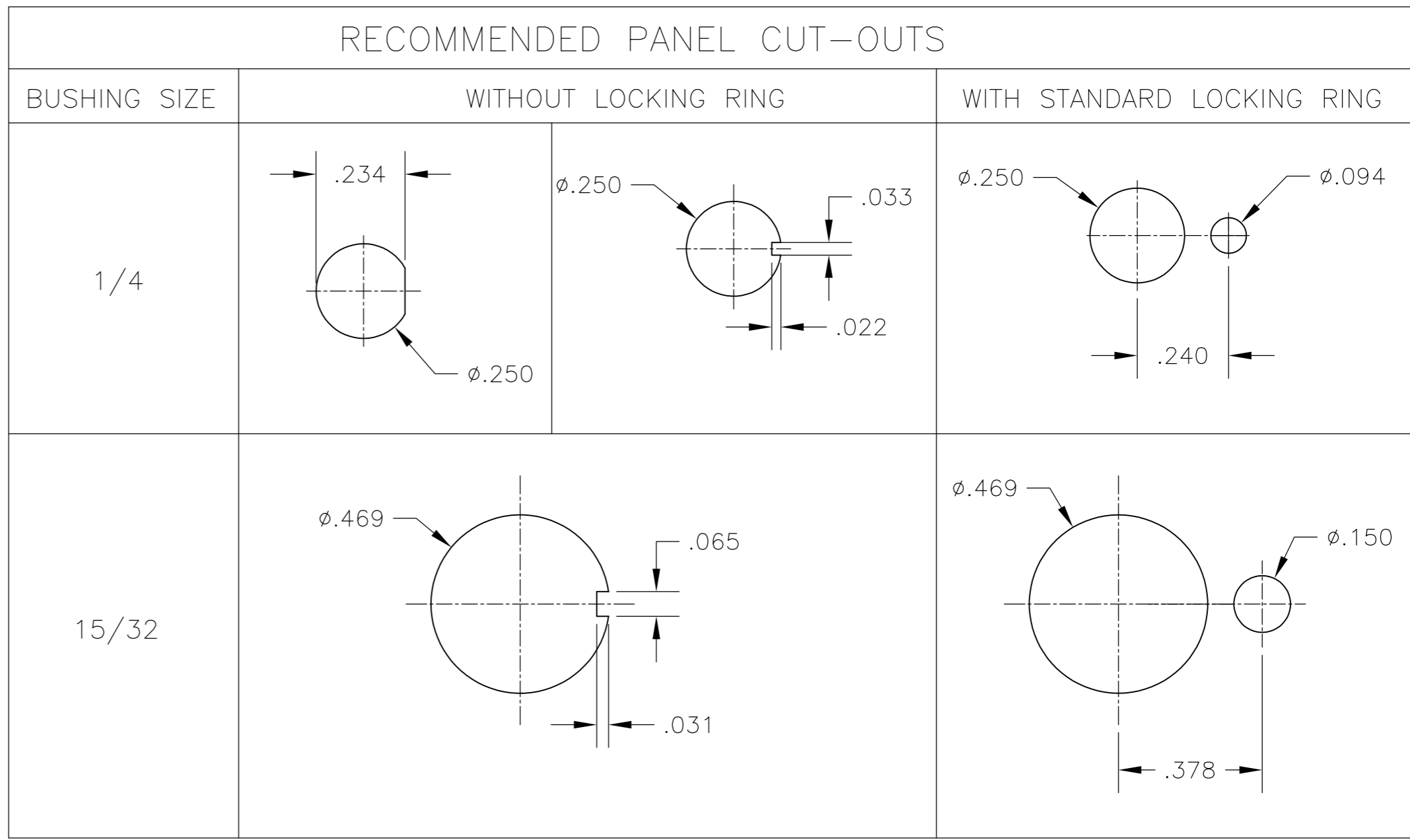
THIS DRAWING IS A CONTROLLED DOCUMENT.		DWN B.S.VISWESWARA	14APR05	TE Connectivity	
DIMENSIONS: INCHES		CHK M.ZITTO	-		
TOLERANCES UNLESS OTHERWISE SPECIFIED:		APVD P.BROUILLETTE	-	NAME GEMINI A SERIES TOGGLE SWITCH, SINGLE POLE, 2 POSITION FUNCTIONS (01 & 08)	
0 PLC ± -		PRODUCT SPEC	-	SIZE A2	
1 PLC ± -		APPLICATION SPEC	-	CAGE CODE 00779	
2 PLC ± -		WEIGHT	-	DRAWING NO C=1825136	
3 PLC ± .010		FINISH	-	RESTRICTED TO -	
4 PLC ± -		CUSTOMER DRAWING		SCALE 2:1	
ANGLES ± 2°		SHEET 3 of 4		REV A7	

THIS DRAWING IS UNPUBLISHED. RELEASED FOR PUBLICATION
 © COPYRIGHT - By - ALL RIGHTS RESERVED.

REVISIONS				
P	LTR	DESCRIPTION	DATE	APVD
-	-	SEE SHEET 1	-	-

Alco P/N	P/N
A101K1V30B04	1825136-1
A101KAB04	1825136-2
A101KAQ04	1825136-3
A101P3YV30B04	1825136-4
A101KCQ04	1825136-5
A101KD9AQ04	1825136-6
A101KZQ04	1825136-7
A101SYAV2B04	1825136-8
A101L1D9V30Q04	1825136-9
A101L1YZB04	1-1825136-0
A101LDZQ04	1-1825136-1
A101MD9AB04	1-1825136-2
A101MD9AG04	1-1825136-3
A101MD9AQ04	1-1825136-4
A101MD9AV2B04	1-1825136-5
A101MD9AV2G04	1-1825136-6
A101MD9AV2Q04	1-1825136-7
A101MD9V30B04	1-1825136-8
A101MDAQ04	1-1825136-9
A101MDAV2B04	2-1825136-0
A101MDCG04	2-1825136-1
A101MDZQ04	2-1825136-2
A101MYCQ04	2-1825136-3
A101MYZQ04	2-1825136-4
A103SYAV2B04	2-1825136-5
A101P3CB04	2-1825136-6
A101P3ZQ04	2-1825136-7
A101KAV2Q04	2-1825136-8
A101MDCQ04	2-1825136-9
A101SCWCQ004	3-1825136-0
A101SCWZQ04	3-1825136-1
A101SD9AB04	3-1825136-2
A101SD9AQ04	3-1825136-3
A101SD9AV2B04	3-1825136-4
A101SD9AV2Q04	3-1825136-5
A101SD9V30B04	3-1825136-6
A101SD9V30Q04	3-1825136-7
A101SDCQ04	3-1825136-8
A101SDZQ04	3-1825136-9
A101SHZQ04	4-1825136-0
A101SY9CQ04	4-1825136-1
A101SYAB04	4-1825136-2
A101SYAQ04	4-1825136-3
A101SYCB04	4-1825136-4
A101SYCQ04	4-1825136-5
not assigned	4-1825136-6
A101SYWQ04	4-1825136-7
A101SYZB04	4-1825136-8

Alco P/N	P/N
A101SYZQ04	4-1825136-9
not assigned	5-1825136-0
not assigned	5-1825136-1
A101T1ZB04	5-1825136-2
A101T1ZQ04	5-1825136-3
A101TCQ04	5-1825136-4
A101TZQ04	5-1825136-5
A108MD9AB04	5-1825136-6
not assigned	5-1825136-7
A108P3CQ04	5-1825136-8
A108P3ZQ04	5-1825136-9
A108SD9AQ04	6-1825136-0
A108SDZQ04	6-1825136-1
A108SYCB04	6-1825136-2
A108SYCQ04	6-1825136-3
A108SYZQ04	6-1825136-4
not assigned	6-1825136-5
A101SYAG04	6-1825136-6



MATERIALS CHART

COMPONENT NAME	BASE MATERIAL	FINISH
CASE	DAP, RED, UL94 V-0	
FRAME	STAINLESS STEEL	
B TERMINALS & CONTACTS	COPPER	GOLD OVER NICKEL
G TERMINALS & CONTACTS	COPPER	GOLD OVER SILVER
Q TERMINALS & CONTACTS	COPPER	.000400 SILVER
ACTUATOR	PHENOLIC, BLACK, UL94 V-1	
LEVER	BRASS	CHROME
BUSHING	BRASS	NICKEL
SPRING	MUSIC WIRE	
SUPPORT BRACKET	BRASS	TIN
PIVOT PIN	STEEL	NICKEL
LOCK WASHER	STAINLESS STEEL	
LOCKING RING	STAINLESS STEEL	
NUTS	C3604BD BRASS	NICKEL
TERMINAL SEAL	EPOXY	

THIS DRAWING IS A CONTROLLED DOCUMENT.		DWN B.S.VISWESWARA	14APR05	STE TE Connectivity
DIMENSIONS: INCHES		CHK M.ZITTO	APVD P.BROUILLETTE	
TOLERANCES UNLESS OTHERWISE SPECIFIED:		PRODUCT SPEC		NAME GEMINI A SERIES TOGGLE SWITCH, SINGLE POLE, 2 POSITION FUNCTIONS (01 & 08)
0 PLC ± -		APPLICATION SPEC		
1 PLC ± -		WEIGHT		SIZE
2 PLC ± -		0		A2
3 PLC ± .010		CAGE CODE		00779
4 PLC ± -		DRAWING NO		C=1825136
ANGLES ± 2°		RESTRICTED TO		-
FINISH		CUSTOMER DRAWING		SCALE 3:1
		SHEET 4 of 4		REV A7



Компания «ЭлектроПласт» предлагает заключение долгосрочных отношений при поставках импортных электронных компонентов на взаимовыгодных условиях!

Наши преимущества:

- Оперативные поставки широкого спектра электронных компонентов отечественного и импортного производства напрямую от производителей и с крупнейших мировых складов;
- Поставка более 17-ти миллионов наименований электронных компонентов;
- Поставка сложных, дефицитных, либо снятых с производства позиций;
- Оперативные сроки поставки под заказ (от 5 рабочих дней);
- Экспресс доставка в любую точку России;
- Техническая поддержка проекта, помощь в подборе аналогов, поставка прототипов;
- Система менеджмента качества сертифицирована по Международному стандарту ISO 9001;
- Лицензия ФСБ на осуществление работ с использованием сведений, составляющих государственную тайну;
- Поставка специализированных компонентов (Xilinx, Altera, Analog Devices, Intersil, Interpoint, Microsemi, Aeroflex, Peregrine, Syfer, Eurofarad, Texas Instrument, Miteq, Cobham, E2V, MA-COM, Hittite, Mini-Circuits, General Dynamics и др.);

Помимо этого, одним из направлений компании «ЭлектроПласт» является направление «Источники питания». Мы предлагаем Вам помощь Конструкторского отдела:

- Подбор оптимального решения, техническое обоснование при выборе компонента;
- Подбор аналогов;
- Консультации по применению компонента;
- Поставка образцов и прототипов;
- Техническая поддержка проекта;
- Защита от снятия компонента с производства.



Как с нами связаться

Телефон: 8 (812) 309 58 32 (многоканальный)

Факс: 8 (812) 320-02-42

Электронная почта: org@eplast1.ru

Адрес: 198099, г. Санкт-Петербург, ул. Калинина, дом 2, корпус 4, литера А.