

Wet Tantalum Capacitors, High Energy, Ultra High Capacitance, - 55 °C to + 125 °C Operation



FEATURES

- High energy, very high capacitance design
- All tantalum, hermetically sealed case
- Utilizes Vishay proven SuperTan® technology
- Terminations: Radial leaded
- Approved to DSCC drawing 10011
- Material categorization: For definitions of compliance please see www.vishay.com/doc?99912



Note

* Lead (Pb)-containing terminations are not RoHS-compliant. Exemptions may apply.

APPLICATIONS

- Industrial
- Avionics/military/space

PERFORMANCE CHARACTERISTICS

Operating Temperature:

- 55 °C to + 85 °C (to + 125 °C with voltage derating)

Capacitance Tolerance:

At 120 Hz, + 25 °C ± 20 % standard
± 10 % available as special

Contact marketing for availability of 10 % tolerance

DC Leakage Current (DCL Max.):

At + 25 °C: Leakage current shall not exceed the values listed in the Standard Ratings tables.

Life Test:

Capacitors are capable of withstanding a 1000 h life test at a temperature of + 85 °C at the applicable rated DC working voltage.

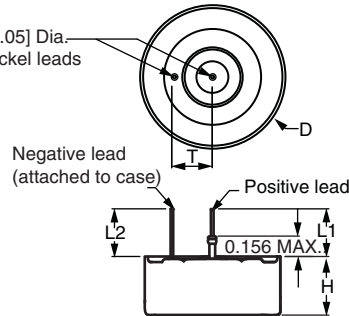
| ORDERING INFORMATION | | | | | | | | |
|----------------------|----------------------------------|---|-------------------------------------|--|---|-------------------|-----------------------------------|--------------|
| HE3 | C | 543 | K | 025 | B | Z | S | S |
| TYPE | CASE CODE | CAPACITANCE | CAPACITANCE TOLERANCE | DC VOLTAGE RATING AT + 85 °C | TERMINATION AND PACKAGING | RELIABILITY LEVEL | TEMPERATURE | ESR |
| | See Ratings and Case Codes table | This is expressed in microfarads. The first two digits are the significant figures. The third is the number of zeros to follow. | K = 10 % ⁽¹⁾ M = 20 % | This is expressed in V. To complete the three-digit block, zeros precede the voltage rating. A decimal point is indicated by an "R" (6R3 = 6.3 V) | A = 100 % tin (RoHS compliant) B = Tin/lead and bulk | Z = Non-ER | S = Standard (- 55 °C to + 85 °C) | S = Standard |

Note

⁽¹⁾ Contact marketing for availability of 10 % tolerance

DIMENSIONS in inches [millimeters]

0.0253 ± 0.002 [0.64 ± 0.05] Dia.
(No. 22 AWG) Tinned Nickel leads
solderable and weldable



| CASE CODE | D | HEIGHT | L2 (MIN.) | L1 (MIN.) | T | WEIGHT (g) (TYPICAL) |
|-----------|----------------------------------|-----------------------------------|------------------|------------------|-------------------------------|----------------------|
| TYPE HE3 | | | | | | |
| A | 1.400 ± 0.005 [35.56 ± 0.127] | 0.350 ± 0.015 [8.89 ± 0.381] | 0.500 [12.70] | 0.500 [12.70] | 0.40 ± 0.015 [10.2 ± 0.38] | 48.0 |
| B | 1.400 ± 0.005 [35.56 ± 0.127] | 0.488 ± 0.015 [12.395 ± 0.381] | 0.500 [12.70] | 0.500 [12.70] | 0.40 ± 0.015 [10.2 ± 0.38] | 73.0 |
| C | 1.400 ± 0.005 [35.56 ± 0.127] | 0.615 ± 0.015 [15.6 ± 0.4] | 0.500 [12.70] | 0.500 [12.70] | 0.40 ± 0.015 [10.2 ± 0.38] | 95.0 |

STANDARD RATINGS

| CAPACITANCE (μF) | CASE CODE | PART NUMBER | MAX. ESR AT + 25 °C, 1 kHz (Ω) | MAX. DCL AT + 25 °C (μA) |
|---|-----------|---------------------------|--------------------------------|--------------------------|
| 25 V_{DC} AT + 85 °C; 15 V_{DC} AT + 125 °C | | | | |
| 18 000 | A | HE3A183(1)025(2)(3)(4)(5) | 0.060 | 150 |
| 24 000 | A | HE3A243(1)025(2)(3)(4)(5) | 0.060 | 150 |
| 36 000 | B | HE3B363(1)025(2)(3)(4)(5) | 0.045 | 200 |
| 48 000 | B | HE3B483(1)025(2)(3)(4)(5) | 0.045 | 200 |
| 54 000 | C | HE3C543(1)025(2)(3)(4)(5) | 0.035 | 300 |
| 72 000 | C | HE3C723(1)025(2)(3)(4)(5) | 0.035 | 350 |
| 50 V_{DC} AT + 85 °C; 30 V_{DC} AT + 125 °C | | | | |
| 8000 | A | HE3A802(1)050(2)(3)(4)(5) | 0.075 | 170 |
| 16 000 | B | HE3B163(1)050(2)(3)(4)(5) | 0.045 | 270 |
| 24 000 | C | HE3C243(1)050(2)(3)(4)(5) | 0.035 | 400 |
| 63 V_{DC} AT + 85 °C; 40 V_{DC} AT + 125 °C | | | | |
| 4000 | A | HE3A402(1)063(2)(3)(4)(5) | 0.100 | 170 |
| 8000 | B | HE3B802(1)063(2)(3)(4)(5) | 0.055 | 270 |
| 12 000 | C | HE3C123(1)063(2)(3)(4)(5) | 0.035 | 400 |
| 80 V_{DC} AT + 85 °C; 50 V_{DC} AT + 125 °C | | | | |
| 3000 | A | HE3A302(1)080(2)(3)(4)(5) | 0.100 | 300 |
| 6000 | B | HE3B602(1)080(2)(3)(4)(5) | 0.065 | 400 |
| 9000 | C | HE3C902(1)080(2)(3)(4)(5) | 0.040 | 500 |
| 100 V_{DC} AT + 85 °C; 65 V_{DC} AT + 125 °C | | | | |
| 1900 | A | HE3A192(1)100(2)(3)(4)(5) | 0.085 | 300 |
| 3800 | B | HE3B382(1)100(2)(3)(4)(5) | 0.065 | 400 |
| 5700 | C | HE3C572(1)100(2)(3)(4)(5) | 0.050 | 500 |
| 125 V_{DC} AT + 85 °C; 85 V_{DC} AT + 125 °C | | | | |
| 1100 | A | HE3A112(1)125(2)(3)(4)(5) | 0.100 | 300 |
| 2200 | B | HE3B222(1)125(2)(3)(4)(5) | 0.085 | 400 |
| 3300 | C | HE3C332(1)125(2)(3)(4)(5) | 0.075 | 500 |

Note

- Part number definitions:
 - Standard capacitance tolerance is 20 % or "M". Contact marketing for availability of 10 % or "K".
 - Standard termination is "B" or tin/lead. RoHS compliant or 100 % tin is available as "A".
 - Standard reliability is "Z" or non-established reliability.
 - Standard temperature range is "S" or - 55 °C to + 125 °C.
 - Standard ESR is "S".

**PERFORMANCE CHARACTERISTICS OF HIGH ENERGY CAPACITORS**

| ELECTRICAL PERFORMANCE CHARACTERISTICS | |
|---|--|
| ITEM | PERFORMANCE CHARACTERISTICS |
| Operating temperature range | - 55 °C to + 85 °C (to + 125 °C with voltage derating) |
| Storage temperature range | - 62 °C to + 130 °C |
| Capacitor tolerance | ± 20 % ± 10 % at 120 Hz |
| ESR | Limits per Standard Ratings table |
| DC leakage current (DCL max.) | At 25 °C the leakage current shall not exceed values listed in the Standard Rating table. |
| Reverse voltage | No continuous reverse voltage permitted |
| Surge voltage | The test shall be at 1000 cycles at 110 % of rated voltage at 85 °C. A cycle consists of a 30 s charge and a 330 s discharge through 100 Ω resistor. |
| Life test at + 85 °C | 1000 h at + 85 °C |

| ENVIRONMENTAL CHARACTERISTICS | | |
|--------------------------------------|---|---|
| ITEM | TEST AND CONDITIONS | COMMENTS |
| Hermeticity | MIL-STD-202, method 112 C/IIIa | The capacitor shall be hermetically sealed such that the case does not leak electrolyte or vent any gas when exposed to a vacuum. |
| Moisture resistance | MIL-STD-202, method 106 | 6 V polarity |
| Altitude | MIL-STD-202, method 105 C, test condition D | 100 000 feet test |

| MECHANICAL PERFORMANCE CHARACTERISTICS | | |
|---|--|---|
| ITEM | TEST AND CONDITIONS | COMMENTS |
| Thermal shock | MIL-STD-202, method 107 G | Test condition A |
| Shock | MIL-STD-202, method 213 B test condition G | 11 ms, 50 g |
| Vibration - high frequency | MIL-STD-202, method 204 D test condition D | 12 sweeps/axis, 20 g peak |
| Vibration - random | MIL-STD-202, method 214 A test condition I, letter D | 1.5 h/axis, 12 g |
| Resistance to solder heat | MIL-STD-202, method 210 F | The capacitor must withstand solder dipping of the terminals at 260 °C for 10 s. The capacitor must not be visibly damaged and the electrical characteristics must not be affected. |
| Solderability | MIL-STD-202, method 208 | |
| Terminal strength | MIL-STD-202, method 211 A | The capacitor terminals must withstand a 5 pound pull test for 5 s to 10 s. The capacitor must not be visibly damaged and the electrical characteristics must not be affected. |
| Part markings | MIL-STD-202, method 215 J | The capacitor shall be permanently and legibly marked on the circumference of the case. The markings shall be resistant to solvents. |
| Weight (mass) | | See dimensions table |

HE3 MOUNTING OPTIONS

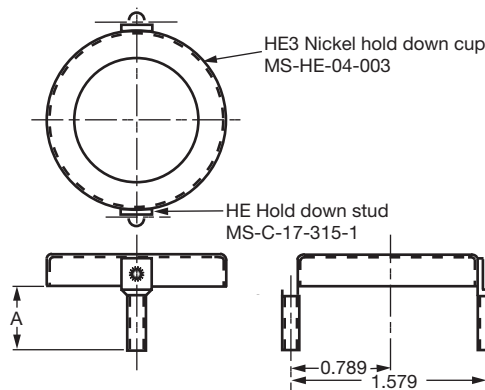
The HE3 capacitor can be mounted with many commercially available methods. Vishay offers the optional mounting hardware outlined below.

THROUGH-HOLE

If mounted through-hole, the glass-to-metal seal must be protected from potential mounting and application stress. The HE3 can be mounted termination down through the HE3SPC001 spacer into the PCB. The proper size bracket HE3BKT00* can then be utilized to hold the HE3 rigidly to the PCB.

TERMINATIONS UP

If mounted with terminations facing up for attachment to wiring, the spacer is not needed. The HE3 can be reverse with terminations facing upward through the center of the HE3BKT00* bracket, which is then mounted through the PCB.



Notes

- Spot weld, 2 places
- Mounting bolt:
 1. Material - Stainless steel
 2. Thread - 6-32 NC-2A

| PART NUMBER ⁽¹⁾ | STUD | A ± 0.010 |
|----------------------------|---------------|-----------|
| HE3BKT001 | HE3A | 0.391 |
| HE3BKT002 | HE3B | 0.518 |
| HE3BKT003 | HE3C | 0.605 |
| HE3BKT004 | HE3A W/spacer | 0.572 |
| HE3BKT005 | HE3B W/spacer | 0.699 |
| HE3BKT006 | HE3C W/spacer | 0.831 |

Note

- ⁽¹⁾ The part numbers shown are for ordering the mounting bracket and/or spacer. The HE3 capacitor must be ordered separately using the correct part number as outlined in ORDERING INFORMATION and in the STANDARD RATINGS table.



| |
|-----------------------------------|
| PART NUMBER ⁽¹⁾ |
| HE3SPC001 |

Note

⁽¹⁾ The part numbers shown are for ordering the mounting bracket and/or spacer. The HE3 capacitor must be ordered separately using the correct part number as outlined in ORDERING INFORMATION and in the STANDARD RATINGS table.

HE3 PC BOARD MOUNTED





Disclaimer

ALL PRODUCT, PRODUCT SPECIFICATIONS AND DATA ARE SUBJECT TO CHANGE WITHOUT NOTICE TO IMPROVE RELIABILITY, FUNCTION OR DESIGN OR OTHERWISE.

Vishay Intertechnology, Inc., its affiliates, agents, and employees, and all persons acting on its or their behalf (collectively, "Vishay"), disclaim any and all liability for any errors, inaccuracies or incompleteness contained in any datasheet or in any other disclosure relating to any product.

Vishay makes no warranty, representation or guarantee regarding the suitability of the products for any particular purpose or the continuing production of any product. To the maximum extent permitted by applicable law, Vishay disclaims (i) any and all liability arising out of the application or use of any product, (ii) any and all liability, including without limitation special, consequential or incidental damages, and (iii) any and all implied warranties, including warranties of fitness for particular purpose, non-infringement and merchantability.

Statements regarding the suitability of products for certain types of applications are based on Vishay's knowledge of typical requirements that are often placed on Vishay products in generic applications. Such statements are not binding statements about the suitability of products for a particular application. It is the customer's responsibility to validate that a particular product with the properties described in the product specification is suitable for use in a particular application. Parameters provided in datasheets and/or specifications may vary in different applications and performance may vary over time. All operating parameters, including typical parameters, must be validated for each customer application by the customer's technical experts. Product specifications do not expand or otherwise modify Vishay's terms and conditions of purchase, including but not limited to the warranty expressed therein.

Except as expressly indicated in writing, Vishay products are not designed for use in medical, life-saving, or life-sustaining applications or for any other application in which the failure of the Vishay product could result in personal injury or death. Customers using or selling Vishay products not expressly indicated for use in such applications do so at their own risk. Please contact authorized Vishay personnel to obtain written terms and conditions regarding products designed for such applications.

No license, express or implied, by estoppel or otherwise, to any intellectual property rights is granted by this document or by any conduct of Vishay. Product names and markings noted herein may be trademarks of their respective owners.

Material Category Policy

Vishay Intertechnology, Inc. hereby certifies that all its products that are identified as RoHS-Compliant fulfill the definitions and restrictions defined under Directive 2011/65/EU of The European Parliament and of the Council of June 8, 2011 on the restriction of the use of certain hazardous substances in electrical and electronic equipment (EEE) - recast, unless otherwise specified as non-compliant.

Please note that some Vishay documentation may still make reference to RoHS Directive 2002/95/EC. We confirm that all the products identified as being compliant to Directive 2002/95/EC conform to Directive 2011/65/EU.

Vishay Intertechnology, Inc. hereby certifies that all its products that are identified as Halogen-Free follow Halogen-Free requirements as per JEDEC JS709A standards. Please note that some Vishay documentation may still make reference to the IEC 61249-2-21 definition. We confirm that all the products identified as being compliant to IEC 61249-2-21 conform to JEDEC JS709A standards.



Компания «ЭлектроПласт» предлагает заключение долгосрочных отношений при поставках импортных электронных компонентов на взаимовыгодных условиях!

Наши преимущества:

- Оперативные поставки широкого спектра электронных компонентов отечественного и импортного производства напрямую от производителей и с крупнейших мировых складов;
- Поставка более 17-ти миллионов наименований электронных компонентов;
- Поставка сложных, дефицитных, либо снятых с производства позиций;
- Оперативные сроки поставки под заказ (от 5 рабочих дней);
- Экспресс доставка в любую точку России;
- Техническая поддержка проекта, помощь в подборе аналогов, поставка прототипов;
- Система менеджмента качества сертифицирована по Международному стандарту ISO 9001;
- Лицензия ФСБ на осуществление работ с использованием сведений, составляющих государственную тайну;
- Поставка специализированных компонентов (Xilinx, Altera, Analog Devices, Intersil, Interpoint, Microsemi, Aeroflex, Peregrine, Syfer, Eurofarad, Texas Instrument, Miteq, Cobham, E2V, MA-COM, Hittite, Mini-Circuits, General Dynamics и др.);

Помимо этого, одним из направлений компании «ЭлектроПласт» является направление «Источники питания». Мы предлагаем Вам помощь Конструкторского отдела:

- Подбор оптимального решения, техническое обоснование при выборе компонента;
- Подбор аналогов;
- Консультации по применению компонента;
- Поставка образцов и прототипов;
- Техническая поддержка проекта;
- Защита от снятия компонента с производства.



Как с нами связаться

Телефон: 8 (812) 309 58 32 (многоканальный)

Факс: 8 (812) 320-02-42

Электронная почта: org@eplast1.ru

Адрес: 198099, г. Санкт-Петербург, ул. Калинина, дом 2, корпус 4, литера А.