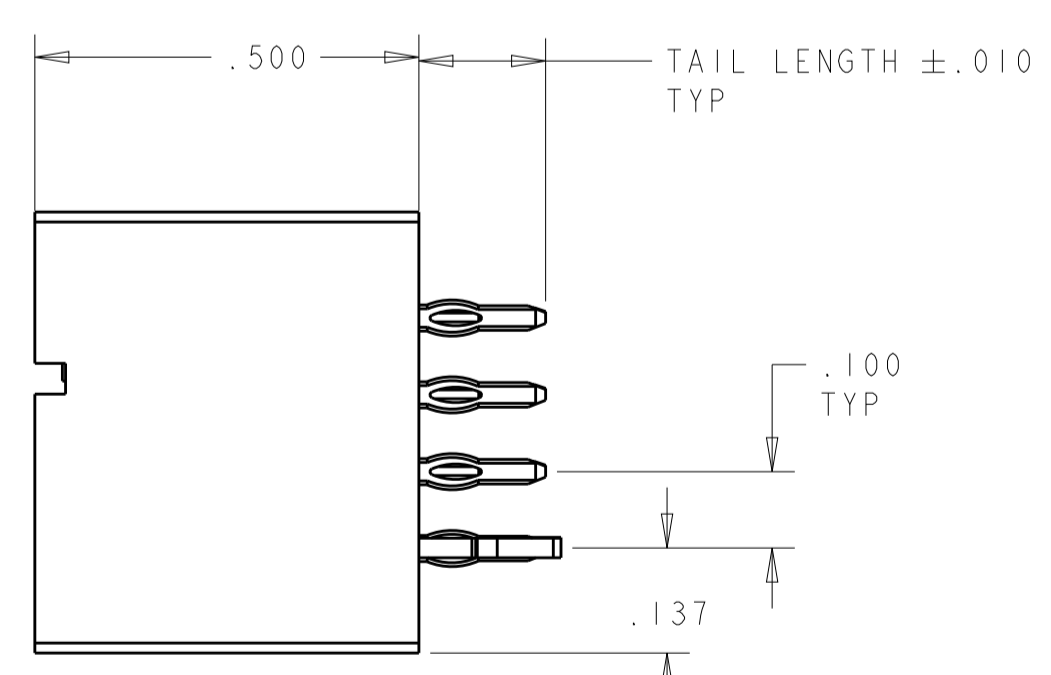
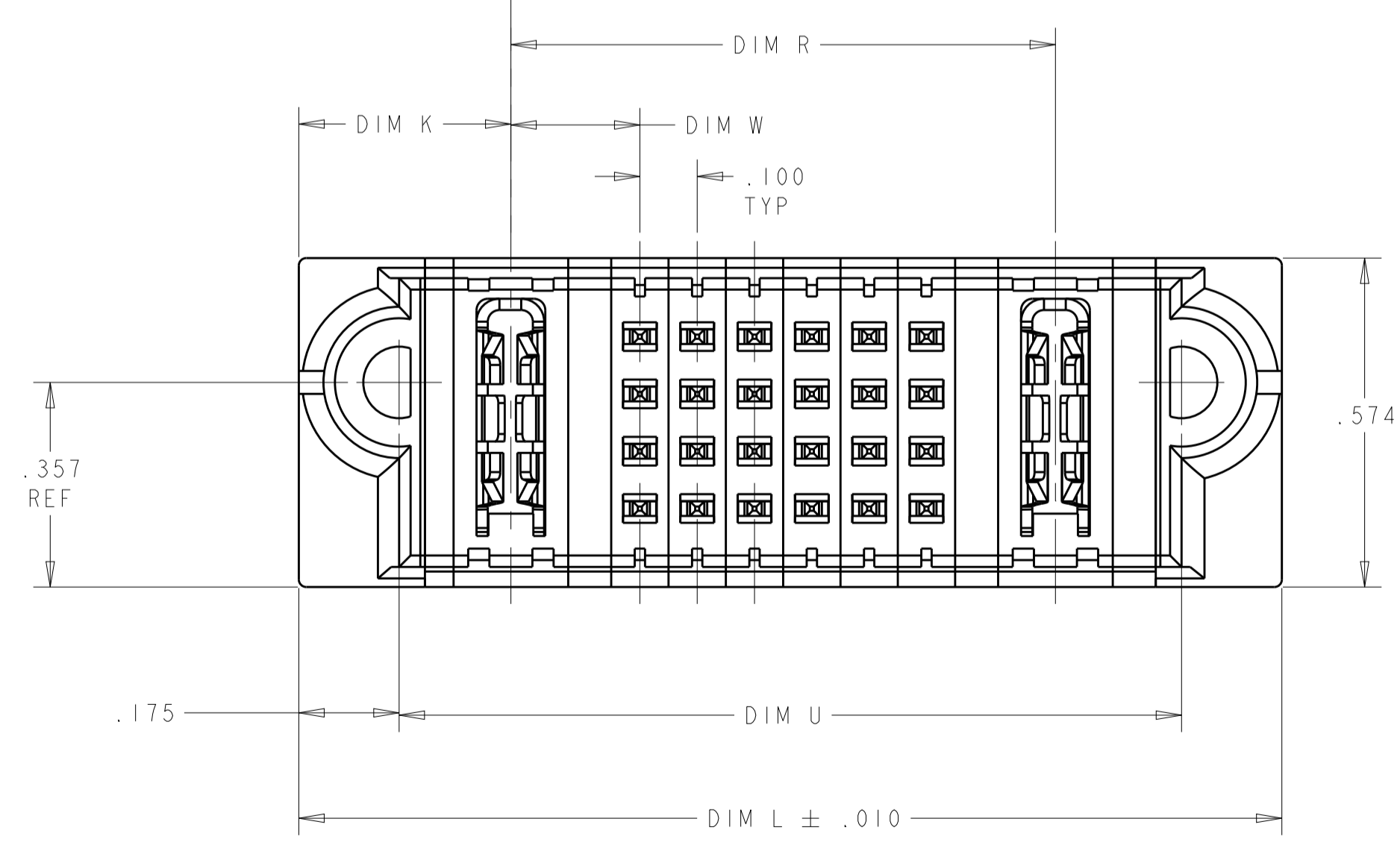
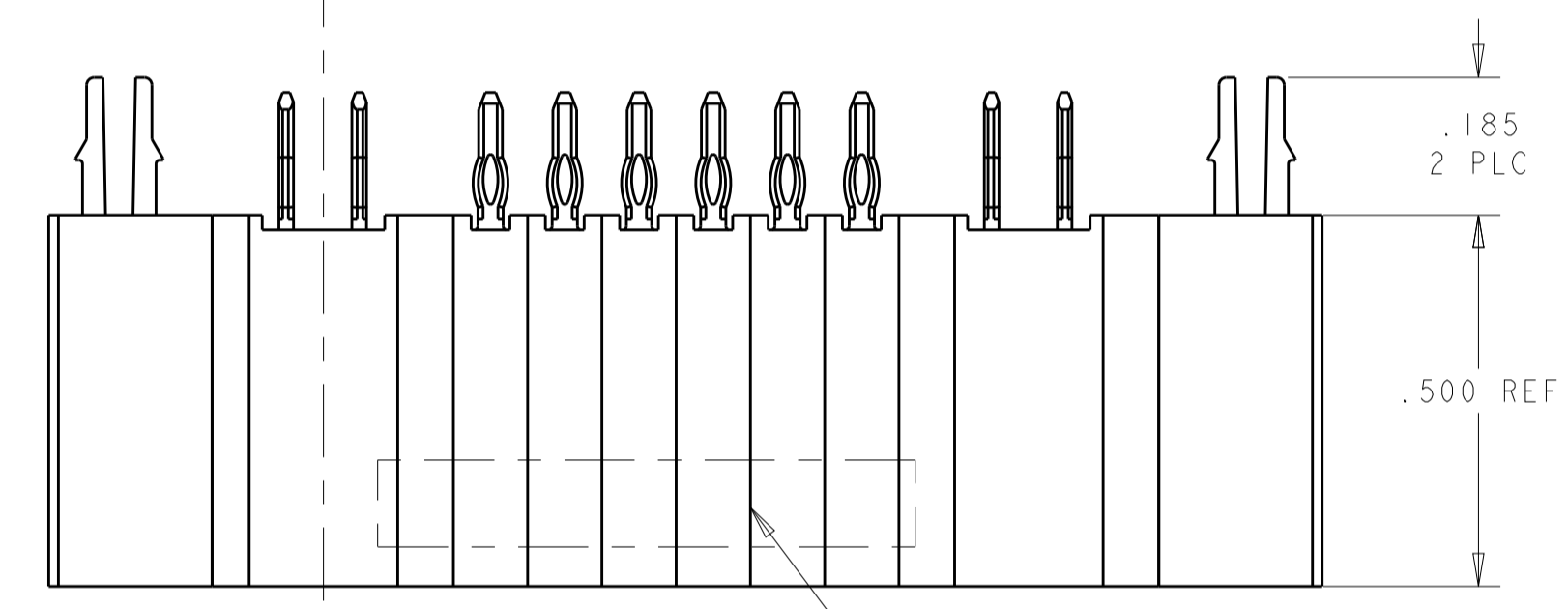
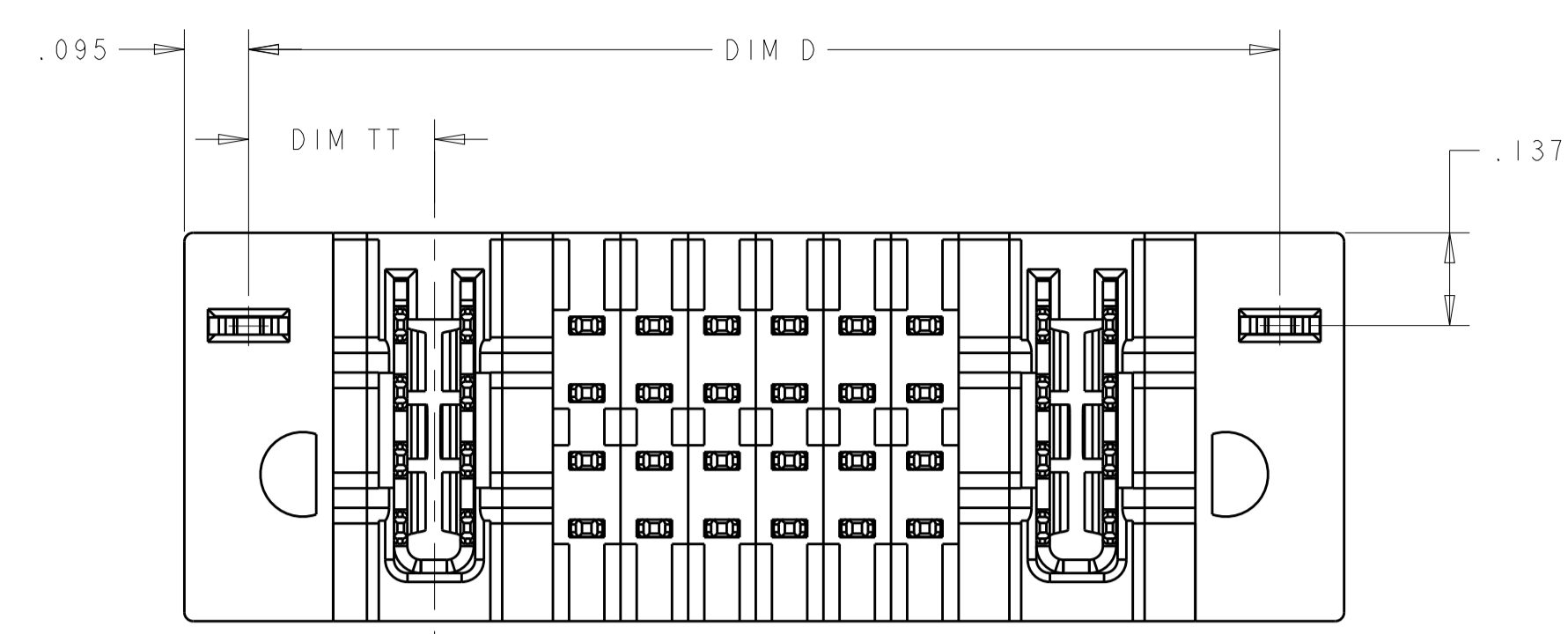
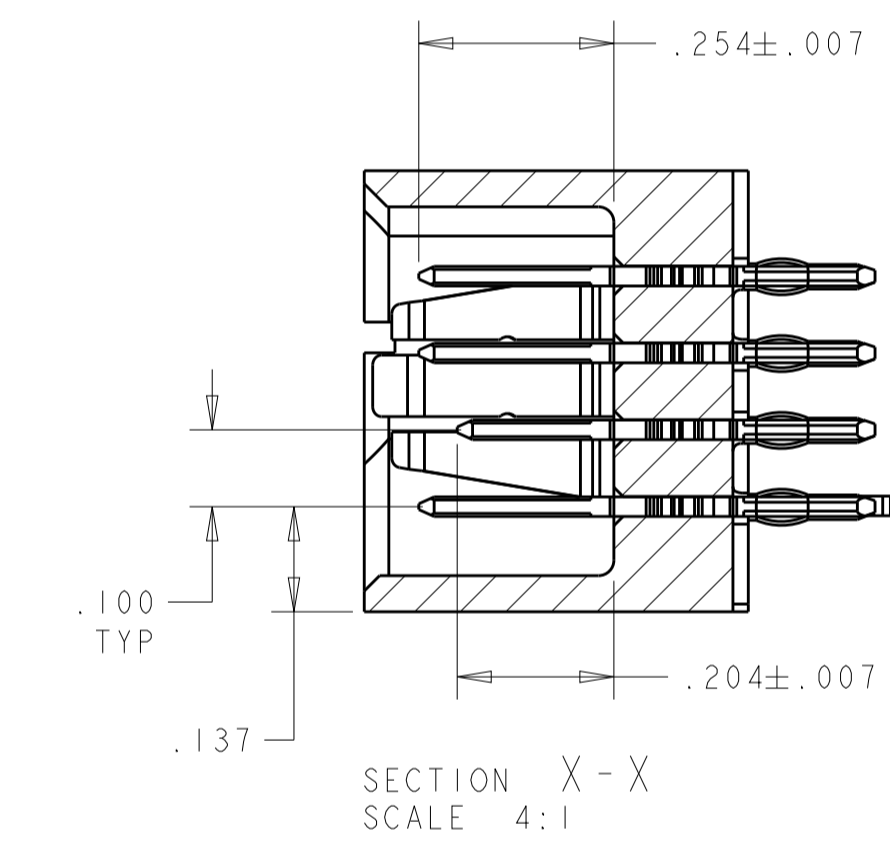


LOC		DIST		REVISIONS			
P	LTN	DESCRIPTION	DATE	OWN	APVD		
G6		ADD NEW PART -25	19AUG2013	AY	SZ		
G7		UPDATE -25 MATING SEQUENCE	29AUG2013	AY	SZ		
G8		UPDATE -25 MATING SEQUENCE	30AUG2013	AY	SZ		



- 1 HEADER HOUSING: THERMO PLASTIC, BLACK, UL94 V-O; CONTACTS AND RETENTION CLIPS: COPPER ALLOY.
- 2 CONTACT PLATING: NOBLE METAL PLATING ON CONTACT FUNCTIONAL AREA OF POWER AND SIGNAL CONTACTS
- 3 "AMP", PART NUMBER AND DATE CODE MARKED IN THIS AREA. PARTS UNDER 2.50 LONG MAY BE MARKED ON BOTH SIDES.
- 4 DATUM AND BASIC DIMENSIONS ESTABLISHED BY CUSTOMER.
- 5 PCB - ALL HOLE DIAMETERS ARE FINISHED HOLE SIZES.
- 6 A SEATING TOOL IS REQUIRED TO SEAT THE HEADER ON THE P.C. BOARD. PLEASE REFER TO THE 114-13251 APPLICATION SPEC.
- 7 MECHANICAL CONNECTOR KEEP OUT ZONE.
- 8 DETAIL DIM SEE PART VIEW
- 9 FOR THE CONFIGURATION WITH VENT, PLEASE REFER TO SHEET 2.
- 10 FOR THE CONFIGURATION LP/S/LP WITH VENT, PLEASE REFER TO SHEET 3.
- 11 FOR THE CONFIGURATION LP/S/P, WITH VENT, PLEASE REFER TO SHEET 4.



66	.240	.165	.1825	2.220	1.870	2.030	1.145	.7125	.2775	3LP + 16S + 4LP	2-6450820-5
	.200	-	.225	3.065	2.715	2.875	-	1.975	.320	10HDP + 24S	2-6450820-3
	.300	-	.275	1.790	1.440	1.600	-	1.150	.370	4ACP + 4S	2-6450820-2
	.115	.250	.2075	2.555	2.205	2.365	1.4075	.7325	.3025	6LP + 24S + 3P	2-6450820-1
	-	-	.1825	1.120	.770	.930	.565	.1575	.2775	1LP + 16S + 1LP	2-6450820-0
	.250	.250	.250	3.540	3.190	3.350	1.850	1.175	.345	5P + 24S + 5P	1-6450820-9
	.250	.250	.225	4.140	3.790	3.950	2.500	1.200	.320	5P + 48S + 5P	1-6450820-8
	.250	-	.225	4.640	4.290	4.450	-	2.950	.320	12P + 48S	1-6450820-7
	.250	-	.225	2.415	2.065	2.225	-	1.425	.320	6P + 20S	1-6450820-5
	-	.300	.175	2.665	2.315	2.475	.575	-	.270	20S + 6ACP	1-6450820-4
	.300	.300	.225	2.840	2.490	2.650	1.600	.850	.320	3ACP + 24S + 3ACP	1-6450820-3
	.250	.250	.250	4.040	3.690	3.850	2.100	1.425	.345	6P + 24S + 6P	1-6450820-1
63	.250	.250	.225	6.240	5.890	6.050	3.850	1.950	.320	8P + 72S + 8P	6450820-9
	.250	.250	.225	6.240	5.890	6.050	3.850	1.950	.320	8P + 72S + 8P	6450820-8
	8	8	.250	5.390	5.040	5.200	8	8	.345	14P + 40S	6450820-7
	8	8	.250	5.390	5.040	5.200	8	8	.345	14P + 40S	6450820-6
	.250	.250	.250	2.640	2.290	2.450	1.200	.925	.345	4P + 8S + 4P	6450820-5
	.250	.250	.250	3.640	3.290	3.450	1.700	1.425	.345	6P + 8S + 6P	6450820-4
	.250	.250	.275	2.790	2.440	2.600	1.550	.675	.370	3P + 32S + 3P	6450820-3
	-	-	.250	1.540	1.190	1.350	.850	.175	.345	1P + 24S + 1P	6450820-2
	-	-	.275	1.715	1.365	1.525	.950	.225	.370	1P + 24S + 1P	6450820-1
	DIM S	DIM T	DIM TT	DIM L	DIM U	DIM D	DIM R	DIM W	DIM K	DESCRIPTION	PART NUMBER

THIS DRAWING IS A CONTROLLED DOCUMENT. DWN D. ZHU 15NOV2007  
 CHK S. ZHAO 15NOV2007

DIMENSIONS: INCHES TOLERANCES UNLESS OTHERWISE SPECIFIED:  
 0 PLC ±.01  
 1 PLC ±.01  
 2 PLC ±.01  
 3 PLC ±.005  
 4 PLC ±.005  
 ANGLES ±.0020

MATERIAL: FINISH:

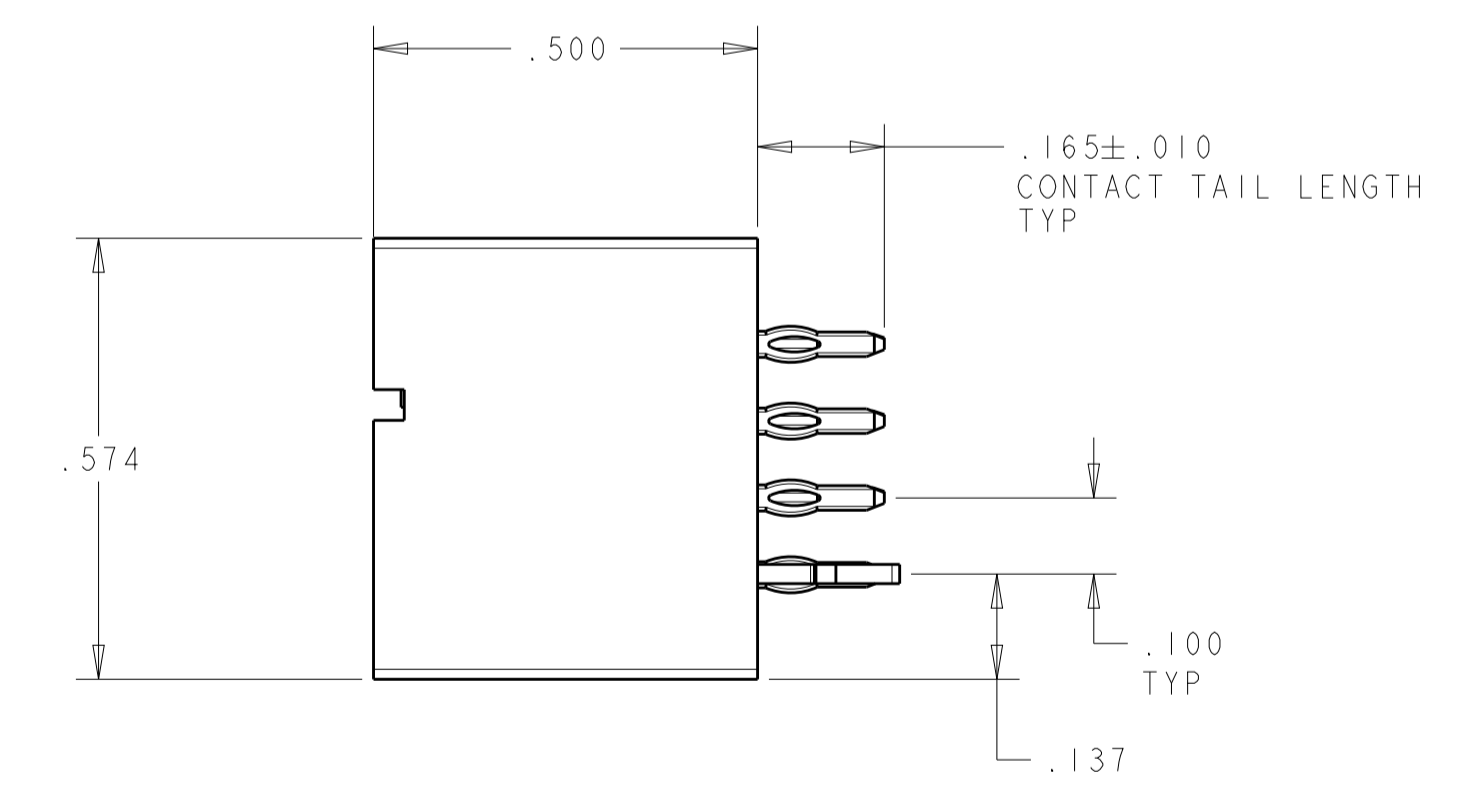
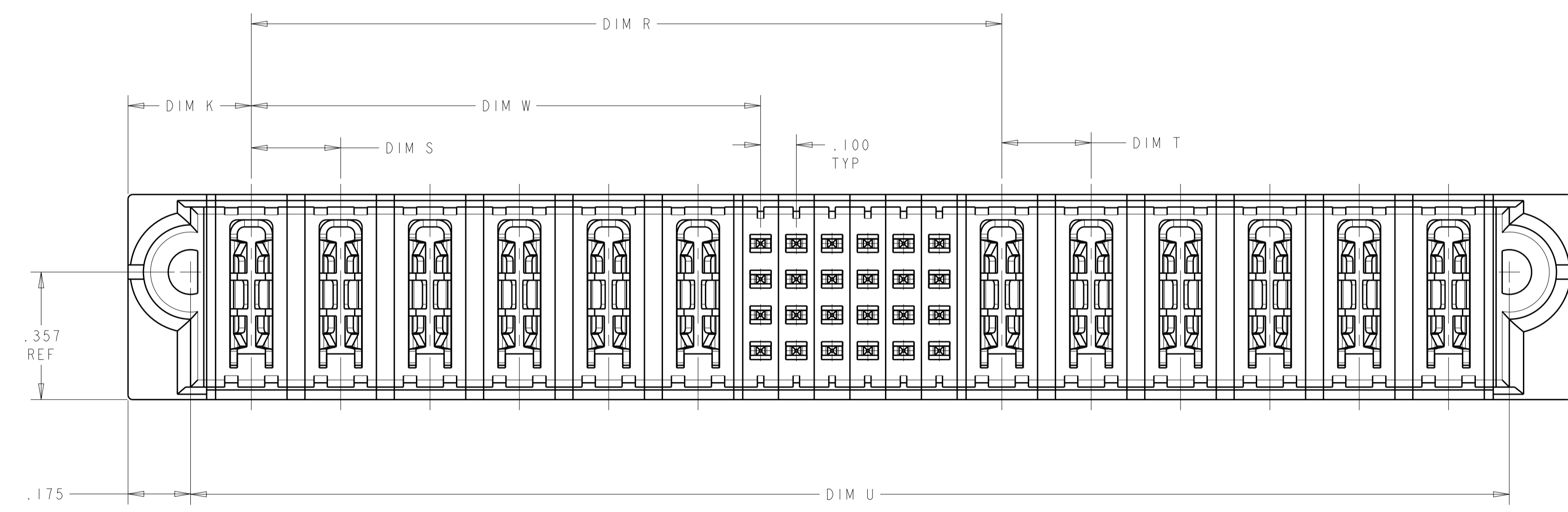
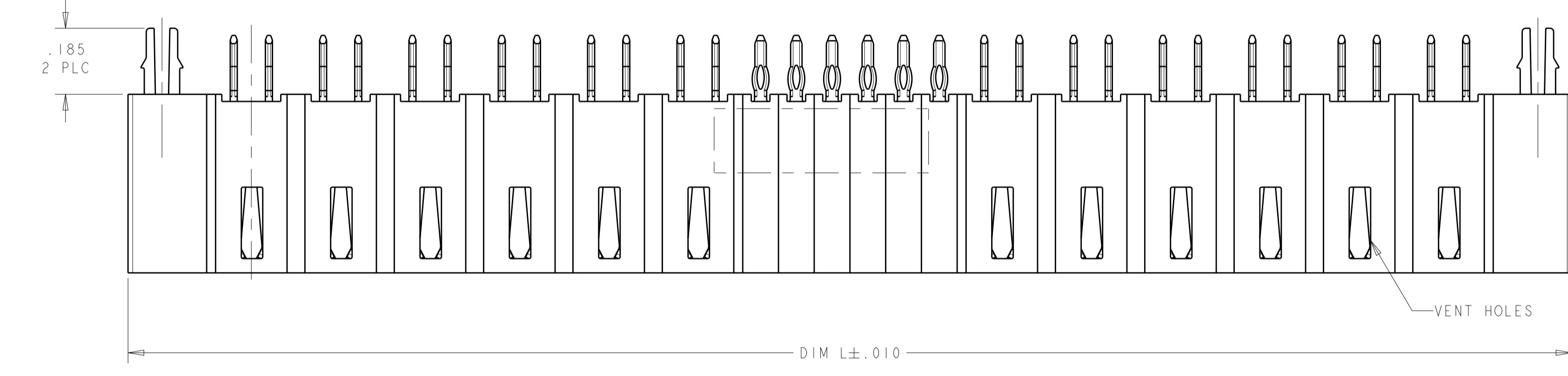
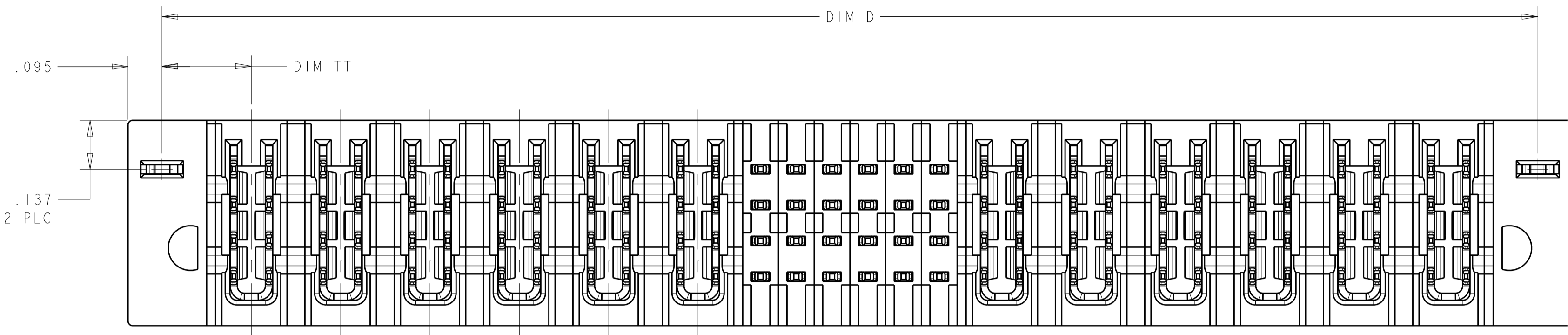
Customer Drawing

APVD S. ZHAO  
 PRODUCT SPEC 108-2292  
 APPLICATION SPEC 114-13251  
 WEIGHT: -


NAME: VERTICAL HEADER ASSEMBLY W/ SHORT END MODULES, PRESS FIT MULTI-BEAM XLE  
 SIZE: A100779 CAGE CODE: 6450820  
 RESTRICTED TO: -

TE Connectivity  
 SCALE: - SHEET 1 OF 20 REV: G8

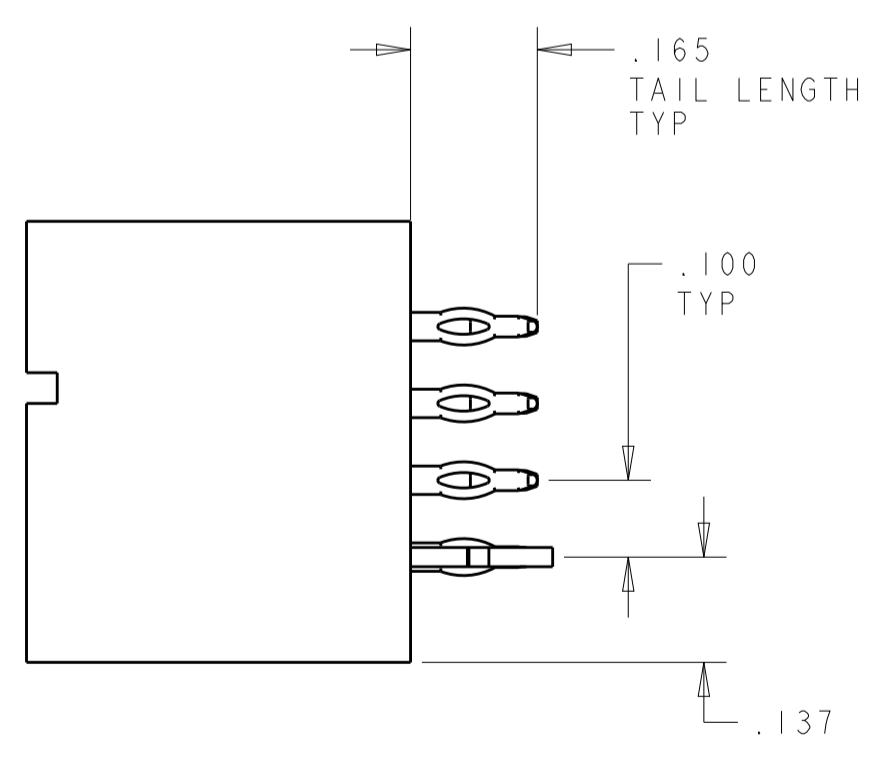
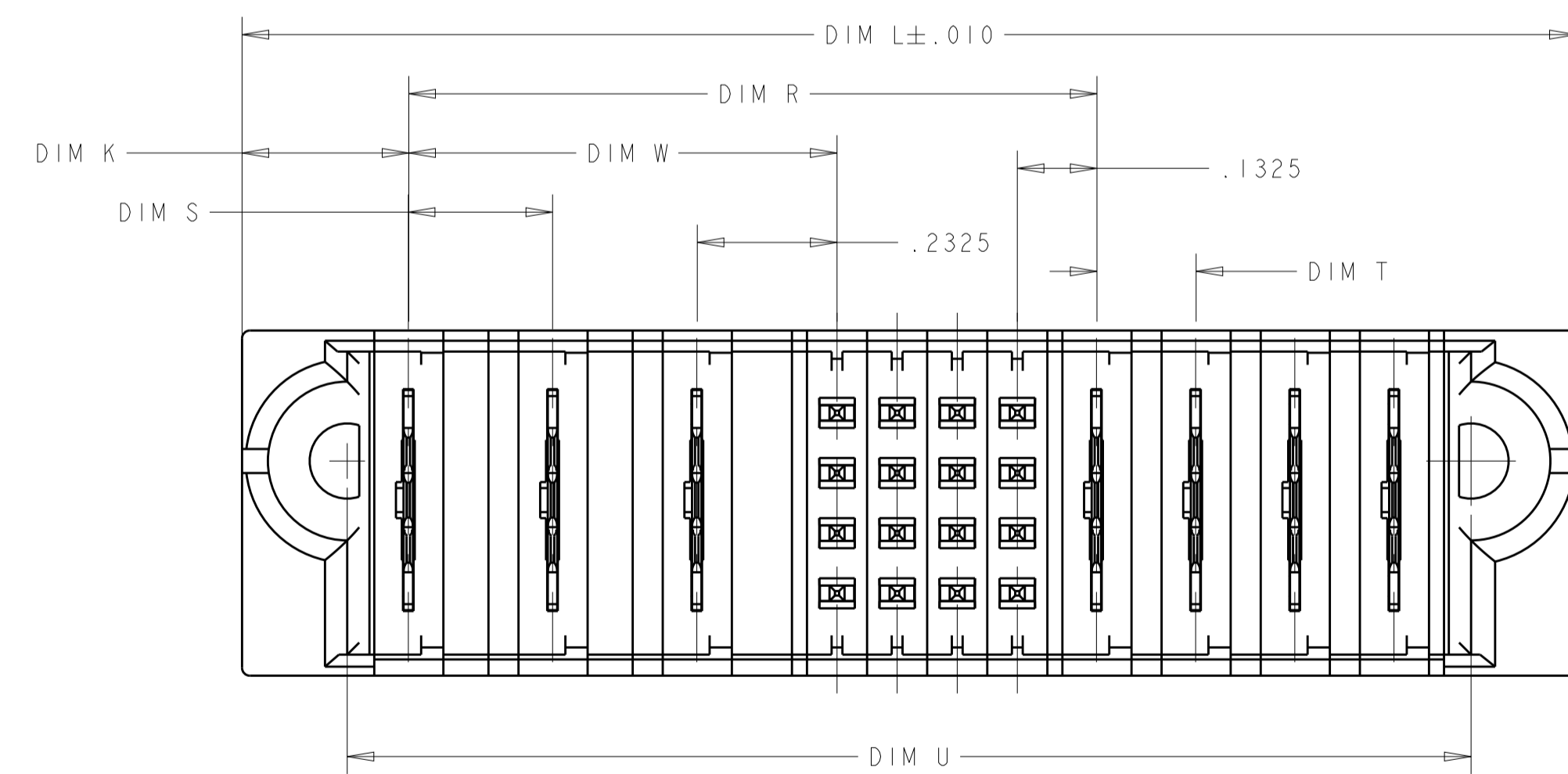
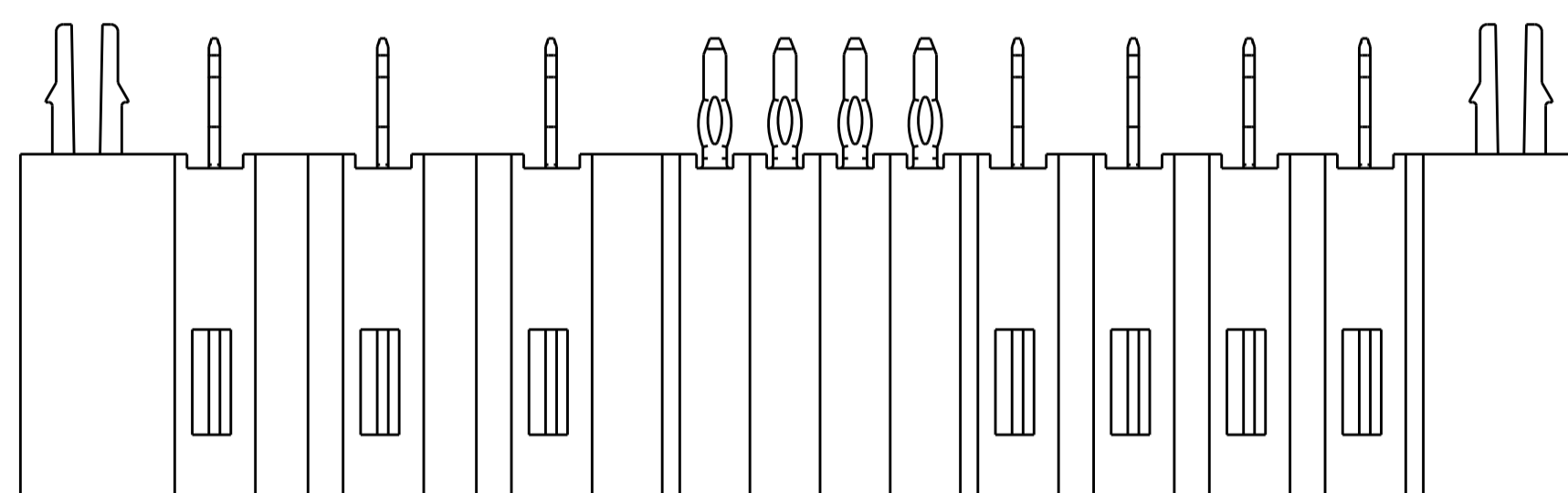
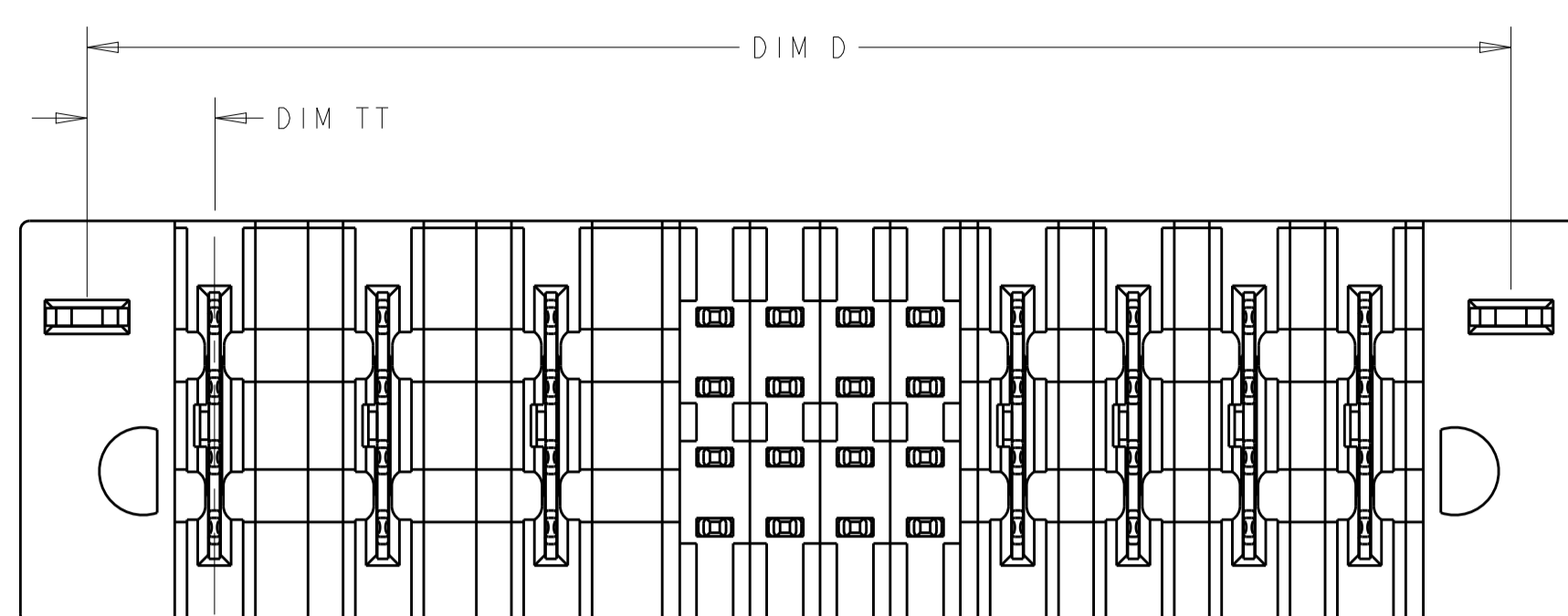
LOC		DIST		REVISIONS			
ES	00	P	LTH	DESCRIPTION	DATE	DMN	APVD
		-		SEE SHEET 1	-	-	-




⚠ FOR THE CONFIGURATION WITH VENT PART NO. 1-6450820-1

THIS DRAWING IS A CONTROLLED DOCUMENT.		DMN D. ZHU 15NOV2007	 TE Connectivity
DIMENSIONS: INCHES		CHK S. ZHAO 15NOV2007	
TOLERANCES UNLESS OTHERWISE SPECIFIED: 0 PLC ±. 1 PLC ±.01 2 PLC ±.01 3 PLC ±.005 4 PLC ±.0020 ANGLES ±7°		APVD S. ZHAO	NAME VERTICAL HEADER ASSEMBLY W/ SHORT END MODULES, PRESS FIT MULTI-BEAM XLE
MATERIAL		PRODUCT SPEC 108-2292	SIZE 114-13251
FINISH		APPLICATION SPEC	RESTRICTED TO
		WEIGHT	Customer Drawing
		SCALE	SHEET 2 OF 20 REV G8

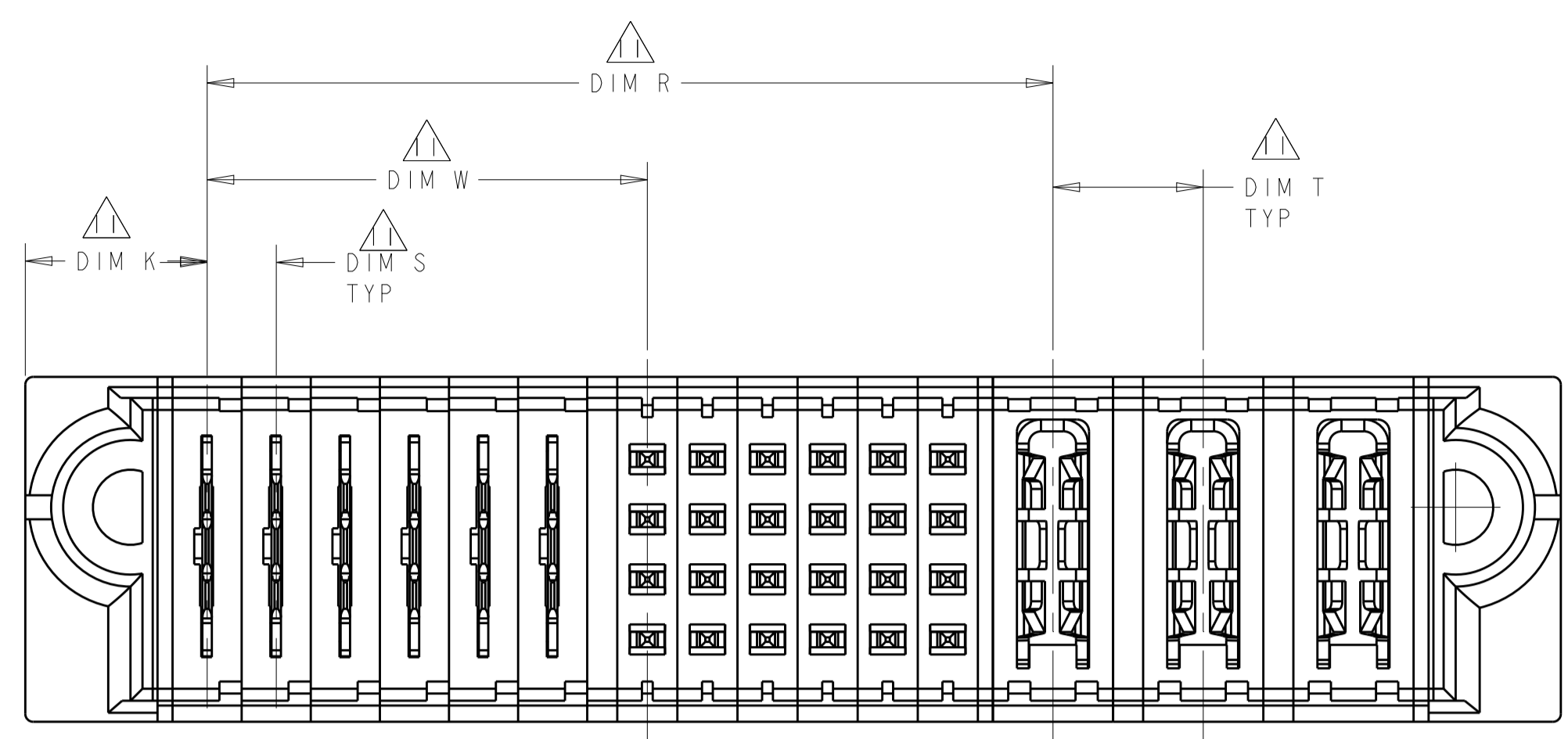
LOC	DIST	REVISIONS					
		P	LTN	DESCRIPTION	DATE	DWN	APVD
ES	00	-	-	SEE SHEET 1	-	-	-



THIS DRAWING IS A CONTROLLED DOCUMENT.		DWN D. ZHU	15NOV2007	 TE Connectivity
DIMENSIONS: INCHES		CHK S. ZHAO	15NOV2007	
TOLERANCES UNLESS OTHERWISE SPECIFIED:		APVD S. ZHAO	-	NAME VERTICAL HEADER ASSEMBLY W/ SHORT END MODULES, PRESS FIT MULTI-BEAM XLE
0 PLC ±		PRODUCT SPEC		SIZE A100779
1 PLC ±.01		APPLICATION SPEC	108-2292	CAGE CODE C=6450820
2 PLC ±.01		RESTRICTED TO		
3 PLC ±.005				
4 PLC ±.0020				
ANGLES ±7°		WEIGHT	114-13251	SCALE -
MATERIAL		FINISH	Customer Drawing	SHEET 3 OF 20
4805 (3/11)				REV G8

THIS DRAWING IS UNPUBLISHED. RELEASED FOR PUBLICATION 20  
COPYRIGHT 20 BY - ALL RIGHTS RESERVED.

LOC		DIST		REVISIONS			
ES	00	P	LTH	DESCRIPTION	DATE	DMN	APVD
-	-	-	-	SEE SHEET 1	-	-	-



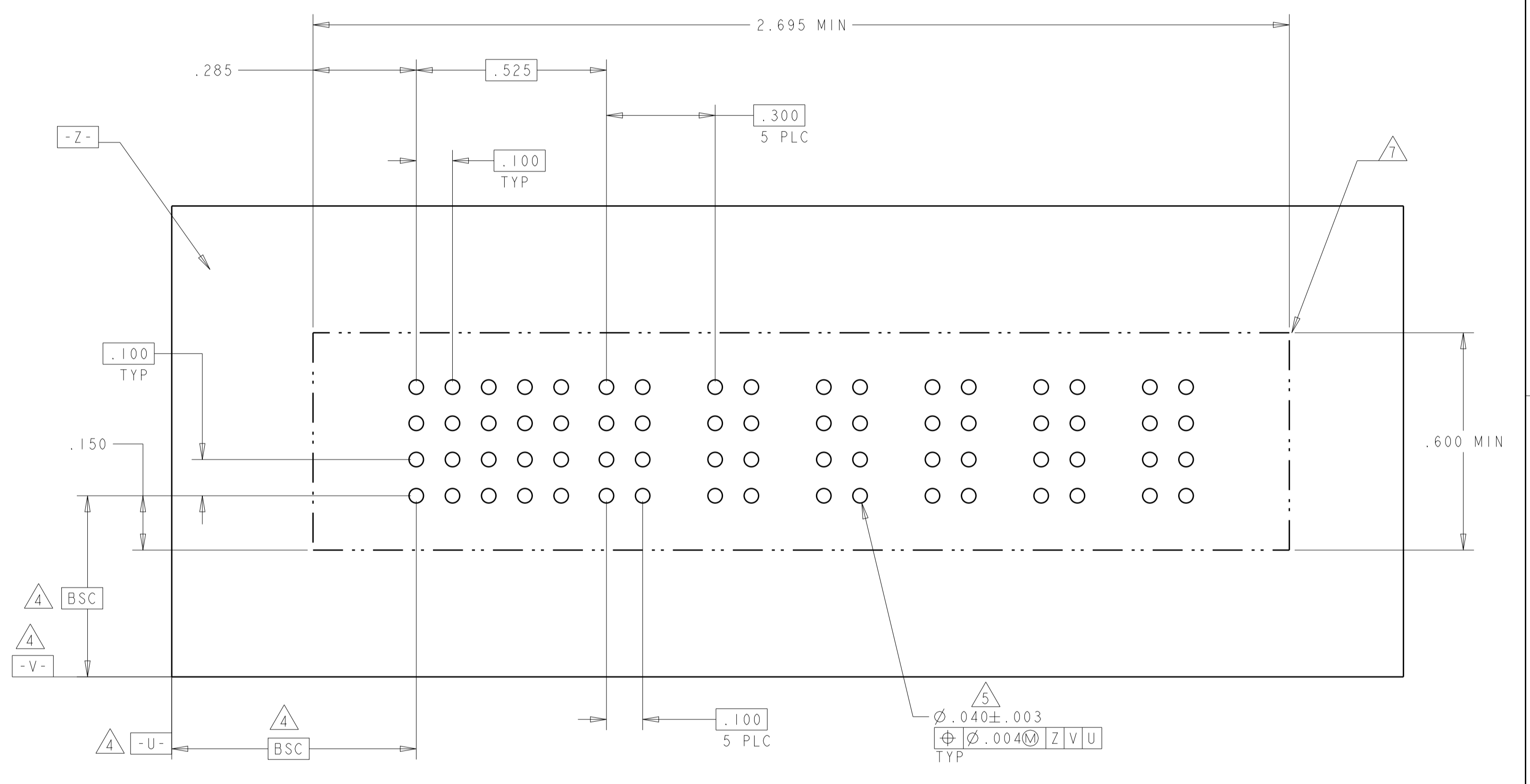
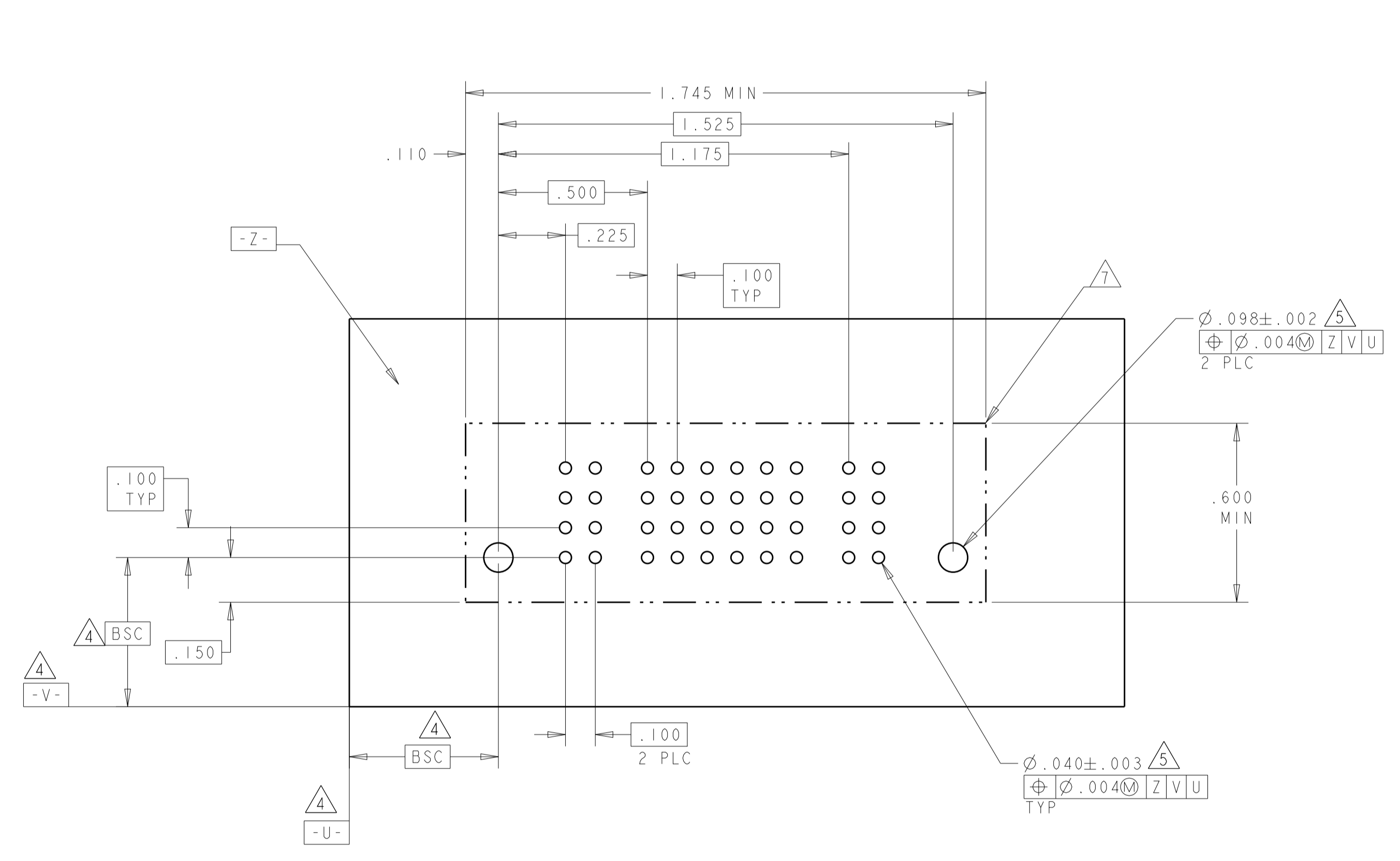
FOR THE CONFIGURATION LP/S/P WITH VENT  
OTHER DIMSENSIONS PLEASE REFER TO SHEET 2

THIS DRAWING IS A CONTROLLED DOCUMENT.		DMN D. ZHU 15NOV2007	TE Connectivity
DIMENSIONS: INCHES		CHK S. ZHAO 15NOV2007	
TOLERANCES UNLESS OTHERWISE SPECIFIED: 0 PLC ±. 1 PLC ±.01 2 PLC ±.01 3 PLC ±.005 4 PLC ±.0020 ANGLES ±.7° FINISH		APVD S. ZHAO	NAME VERTICAL HEADER ASSEMBLY W/ SHORT END MODULES, PRESS FIT MULTI-BEAM XLE
		PRODUCT SPEC 108-2292	SIZE A100779
MATERIAL		APPLICATION SPEC 114-13251	DRAWING NO C=6450820
		WEIGHT	RESTRICTED TO
		Customer Drawing	SCALE - SHEET 4 OF 20 REV G8

LOC		DIST		REVISIONS			
ES	00	P	LTN	DESCRIPTION	DATE	DMN	APVD
		-		SEE SHEET 1			

PART NUMBER	ROWS	POWER	SIGNAL						POWER		
			P1	1	2	3	4	5		6	P2
6450820-1	D	VM	HD	EV	EV	EV	EV	EV	EV	VM	HD
	C			EV	EV	EV	EV	EV	EV		
	B			EV	EV	EV	ES	EV	EV		
	A			EV	EV	EV	EV	EV	EV		
IP + 24S + IP											

PART NUMBER	ROWS	POWER	SIGNAL					POWER									
			1	2	3	4	5	P1	P2	P3	P4	P5	P6				
I-6450820-4	D	VM	HD	EV	EV	EV	EV	EV	EV	VM	VM	VM	VM	VM	VM	VM	HD
	C			EV	EV	EV	EV	EV	VM	VM	VM	VM	VM				
	B			EV	EV	EV	EV	EV	VM	VM	VM	VM	VM				
	A			ES	EV	EV	EV	EV	VM	VM	VM	VM	VM				
20S + 6ACP																	



.165"	LOW POWER CONTACT MFBL	LZF
.165"	LOW POWER CONTACT	LZ
.165"	SIGNAL CONTACT MFBL	EF
-	HOLD DOWN	HD
.165"	SIGNAL CONTACT MLBF	ES
.165"	SIGNAL CONTACT STD	EV
.165"	POWER CONTACT	VM
TAIL LENGTH	DESCRIPTION	CODE

THIS DRAWING IS A CONTROLLED DOCUMENT.

DIMENSIONS:	TOLERANCES UNLESS OTHERWISE SPECIFIED:	DMN	15NOV2007
INCHES	0 PLC ±.01	CHK	D. ZHU
	1 PLC ±.01	CHK	S. ZHAO
	2 PLC ±.01	APVD	S. ZHAO
	3 PLC ±.005	PRODUCT SPEC	108-2292
	4 PLC ±.0020	APPLICATION SPEC	114-13251
	ANGLES ±.020	WEIGHT	-
MATERIAL	FINISH	Customer Drawing	SCALE

NAME: VERTICAL HEADER ASSEMBLY W/ SHORT END MODULES, PRESS FIT MULTI-BEAM XLE

SIZE: A100779 C=6450820

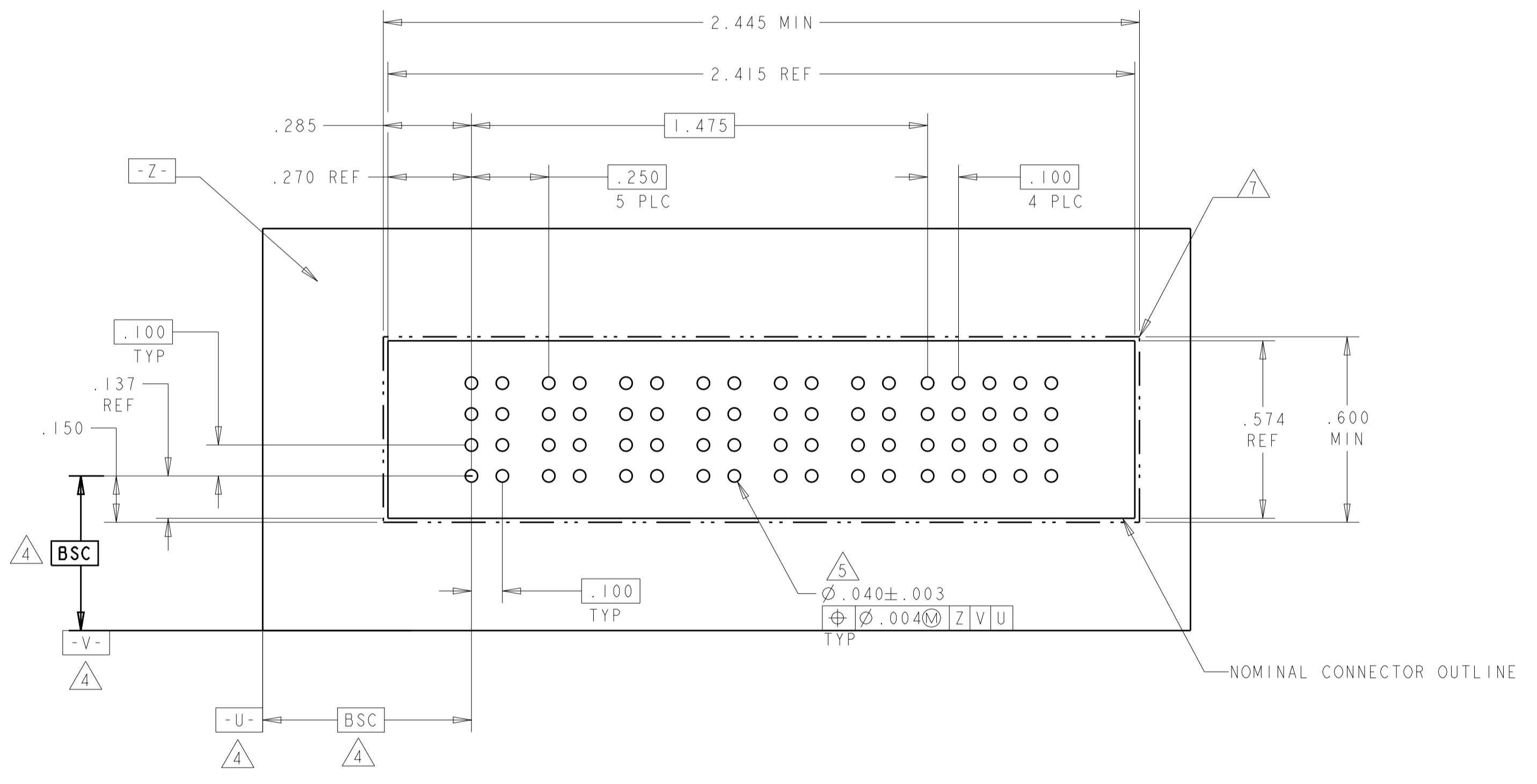
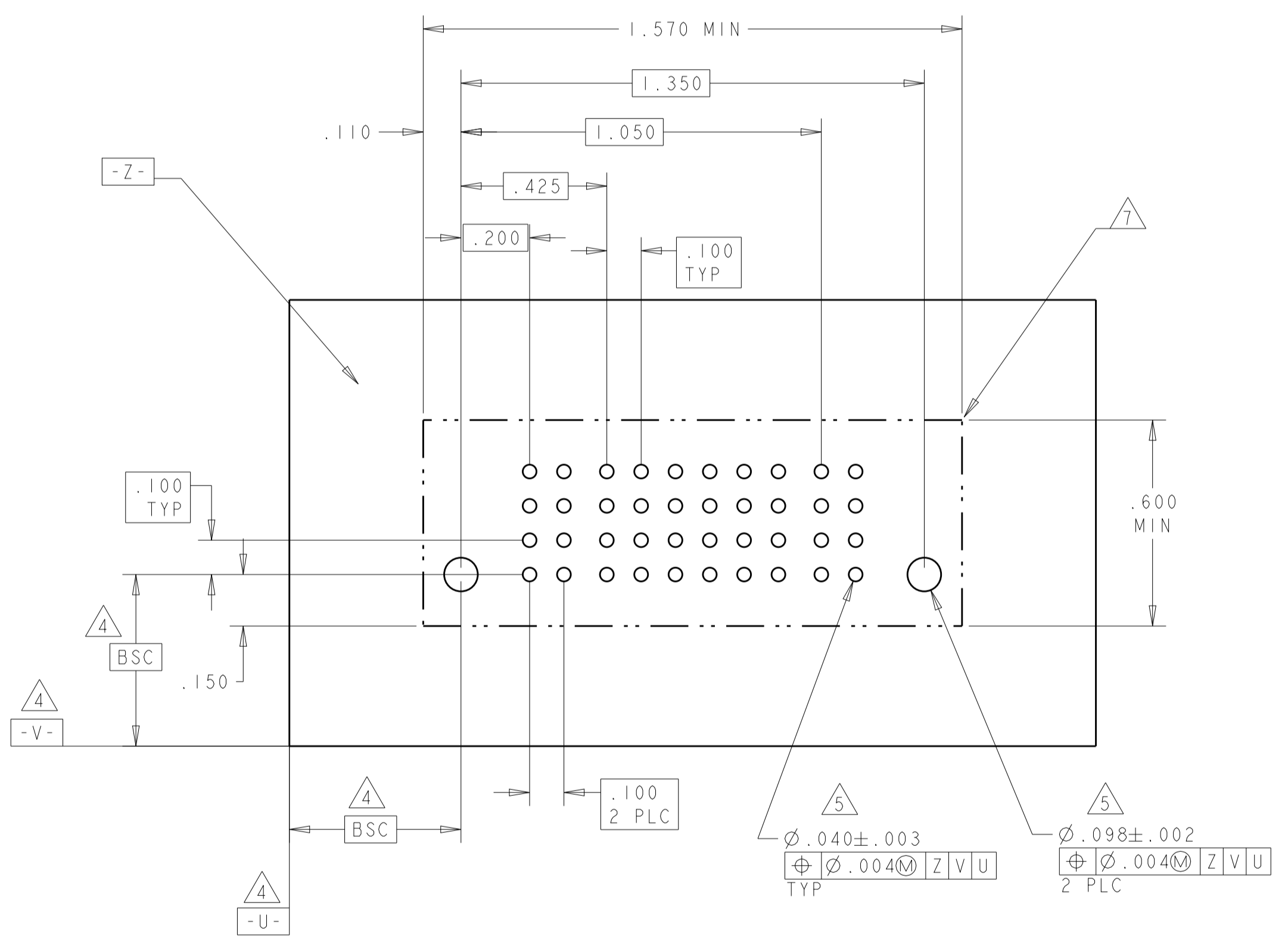
RESTRICTED TO: -

SHEET 5 OF 20 REV G8

LOC	DIST	REVISIONS			
P	LTN	DESCRIPTION	DATE	DMN	APVD
ES	00	SEE SHEET 1	-	-	-

PART NUMBER	ROWS	POWER	SIGNAL						POWER		
			P1	1	2	3	4	5		6	P2
6450820-2	D	VM	HD	EV	EV	EV	EV	EV	EV	VM	HD
	C			EV	EV	EV	EV	EV	EV		
	B			EV	EV	EV	ES	EV	EV		
	A			EV	EV	EV	EV	EV	EV		
IP + 24S + IP											

PART NUMBER	ROWS	POWER						SIGNAL					
		P1	P2	P3	P4	P5	P6	1	2	3	4	5	
1-6450820-5	D	VM	VM	VM	VM	VM	VM	EV	EV	EV	EV	EV	HD
	C							EV	EV	EV	EV	EV	
	B							EV	ES	EV	EV	EV	
	A							EV	EV	EV	EV	EV	
6P + 20S													

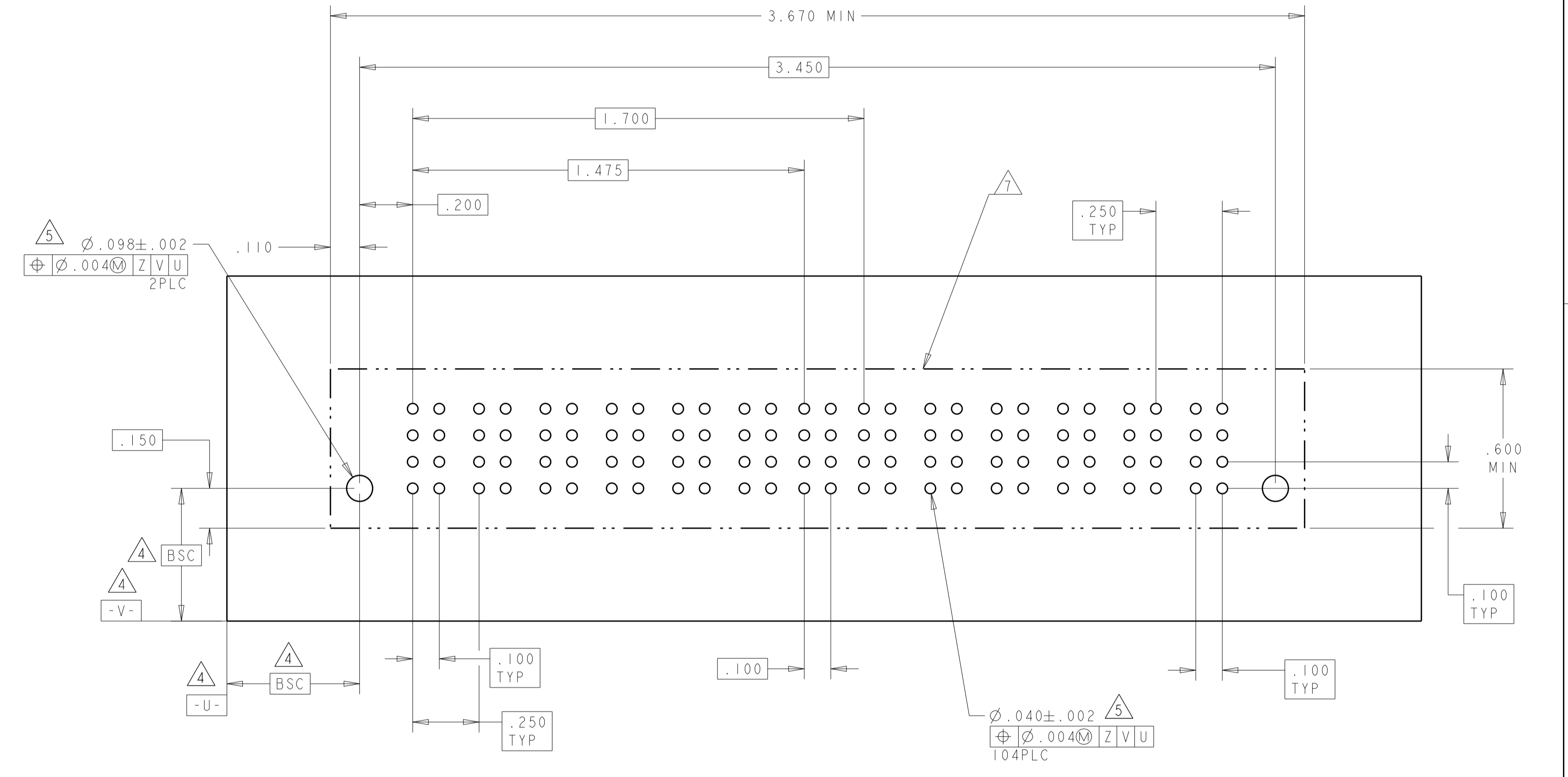
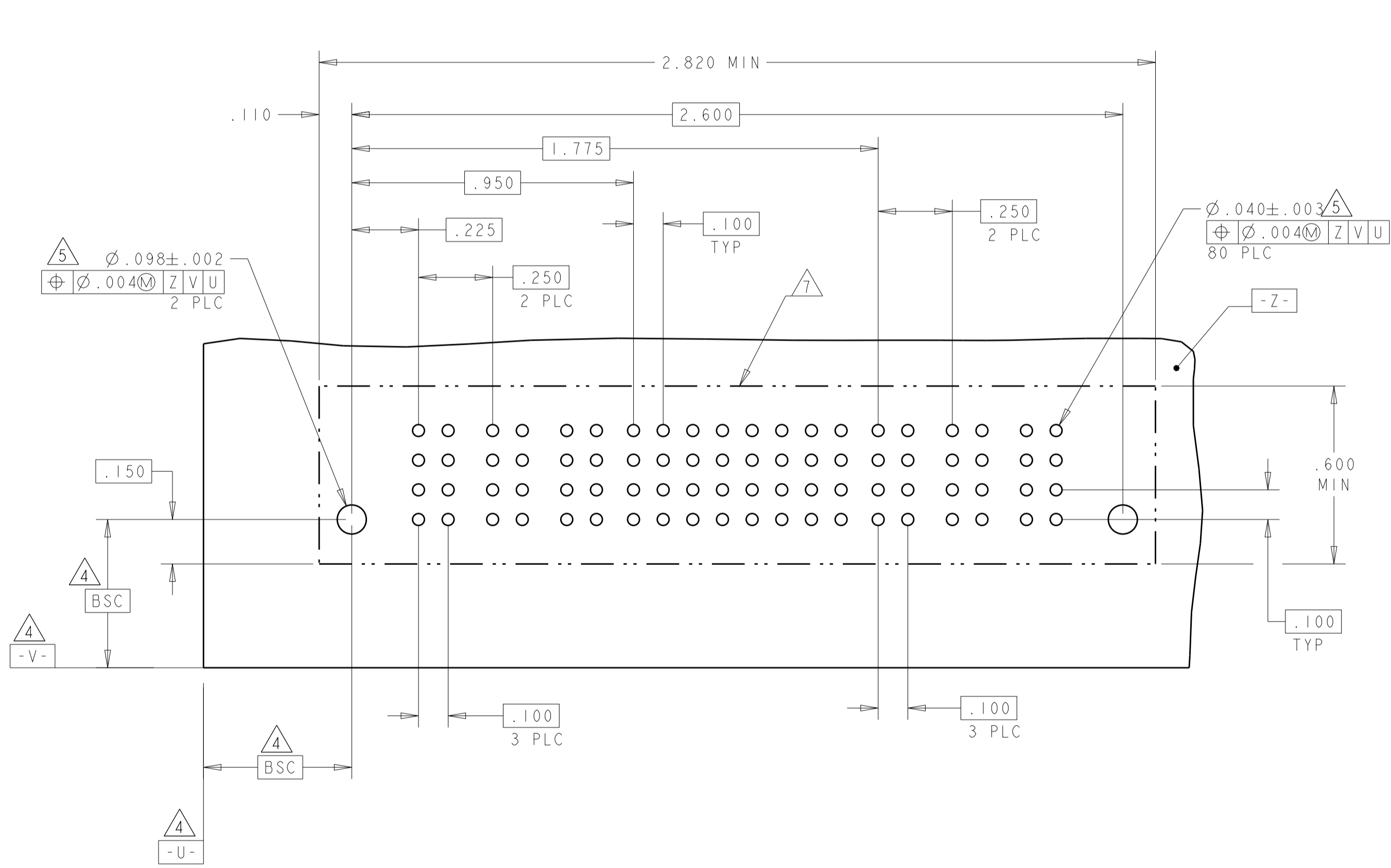


THIS DRAWING IS A CONTROLLED DOCUMENT.		DMN: D. ZHU 15NOV2007	
DIMENSIONS: INCHES		CHK: S. ZHAO 15NOV2007	
TOLERANCES UNLESS OTHERWISE SPECIFIED:		APVD: S. ZHAO	NAME: VERTICAL HEADER ASSEMBLY W/ SHORT END MODULES, PRESS FIT MULTI-BEAM XLE
0 PLC ±. 1 PLC ±.01 2 PLC ±.01 3 PLC ±.005 4 PLC ±.002 ANGLES ±.020		PRODUCT SPEC: 108-2292	SIZE: A100779
MATERIAL: -		APPLICATION SPEC: 114-13251	RESTRICTED TO: -
FINISH: -		WEIGHT: -	SCALE: -
Customer Drawing		Customer Drawing	SHEET 6 OF 20 REV G8

LOC		DIST		REVISIONS			
ES	00	P	LTN	DESCRIPTION	DATE	DMN	APVD
-	-	-	-	SEE SHEET 1	-	-	-

PART NUMBER	ROWS	POWER			SIGNAL								POWER					
		P1	P2	P3	1	2	3	4	5	6	7	8	P4	P5	P6			
6450820-3	D C B A	VM	VM	VM	EV	EV	EV	EV	EV	EV	EV	EV	EV	EV	EV	EV		
					EV	EV	EV	EV	EV	EV	EV	EV	EV	EV	EV	EV	EV	
					EV	EV	EV	EV	EV	EV	EV	EV	EV	EV	EV	EV	EV	EV
					EV	EV	EV	EV	EV	EV	EV	EV	EV	EV	EV	EV	EV	EV
3P + 32S + 3P																		

PART NUMBER	ROWS	POWER						SIGNAL		POWER					
		P1	P2	P3	P4	P5	P6	1	2	P7	P8	P9	P10	P11	P12
6450820-4	D C B A	VM	VM	VM	VM	VM	VM	EV	EV	EV	EV	EV	EV	EV	EV
								EV	EV	EV	EV	EV	EV	EV	EV
								EV	EV	EV	EV	EV	EV	EV	EV
								EV	EV	EV	EV	EV	EV	EV	EV
6P + 8S + 6P															



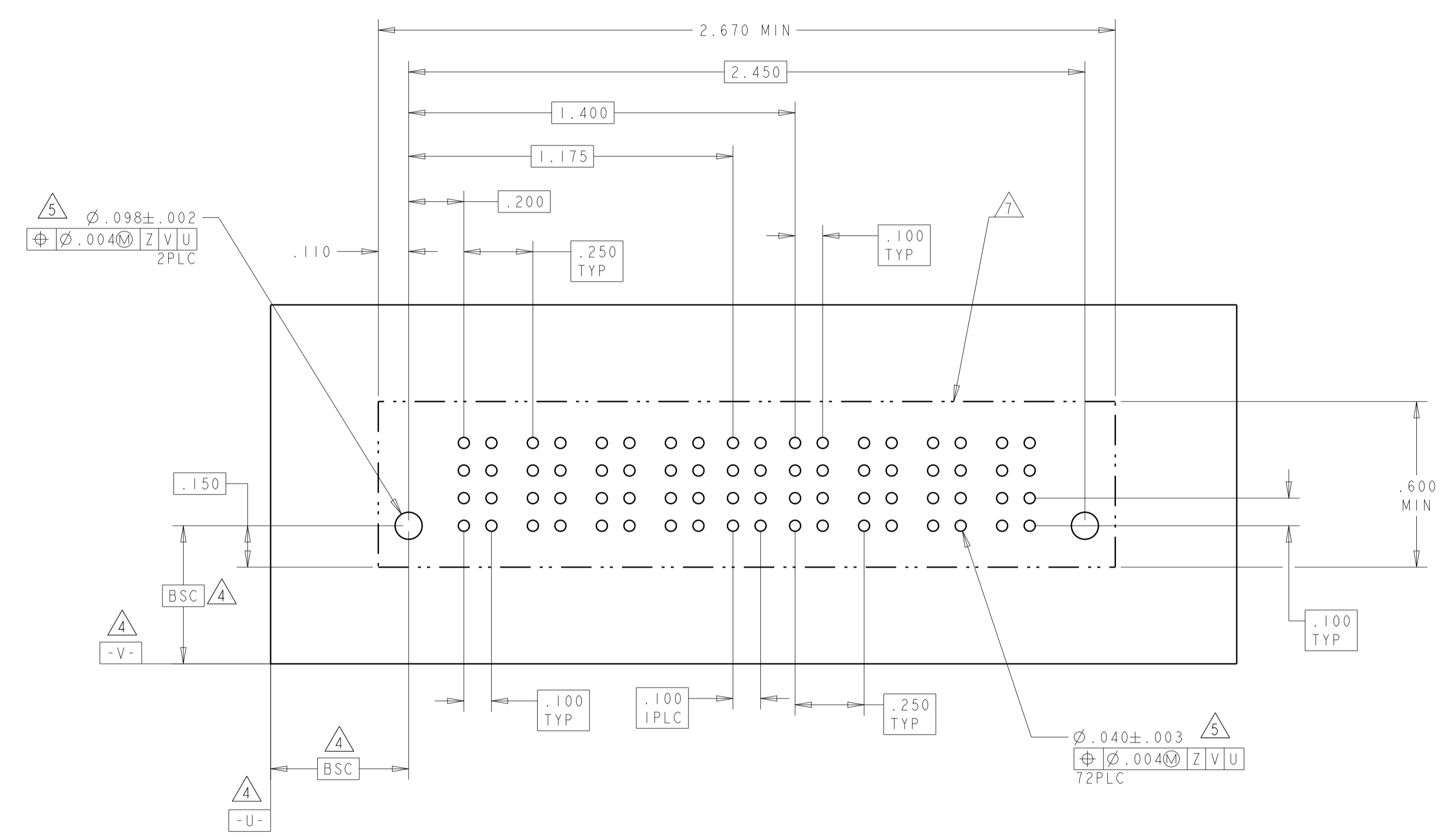
THIS DRAWING IS A CONTROLLED DOCUMENT.

DIMENSIONS: INCHES	TOLERANCES UNLESS OTHERWISE SPECIFIED: 0 PLC ±. 1 PLC ±.01 2 PLC ±.01 3 PLC ±.005 4 PLC ±.0020 ANGLES ±.020	DMN: D. ZHU 15NOV2007 CHK: S. ZHAO 15NOV2007 APVD: S. ZHAO	NAME: VERTICAL HEADER ASSEMBLY W/ SHORT END MODULES, PRESS FIT MULTI-BEAM XLE
MATERIAL:	FINISH:	PRODUCT SPEC: 108-2292 APPLICATION SPEC: 114-13251 WEIGHT:	SIZE: A100779 CAGE CODE: C=6450820
Customer Drawing		SCALE: -	SHEET 7 OF 20 REV: G8

4805 (3/11)

LOC		DIST		REVISIONS			
P	LTN	DESCRIPTION	DATE	OWN	APVD		
-	-	SEE SHEET 1	-	-	-	-	-

PART NUMBER	ROWS	HD	POWER				SIGNAL		POWER				HD
			P1	P2	P3	P4	1	2	P5	P6	P7	P8	
6450820-5	D C B A		VM	VM	VM	VM	EV	EV	VM	VM	VM	VM	
4P + 8S + 4P													

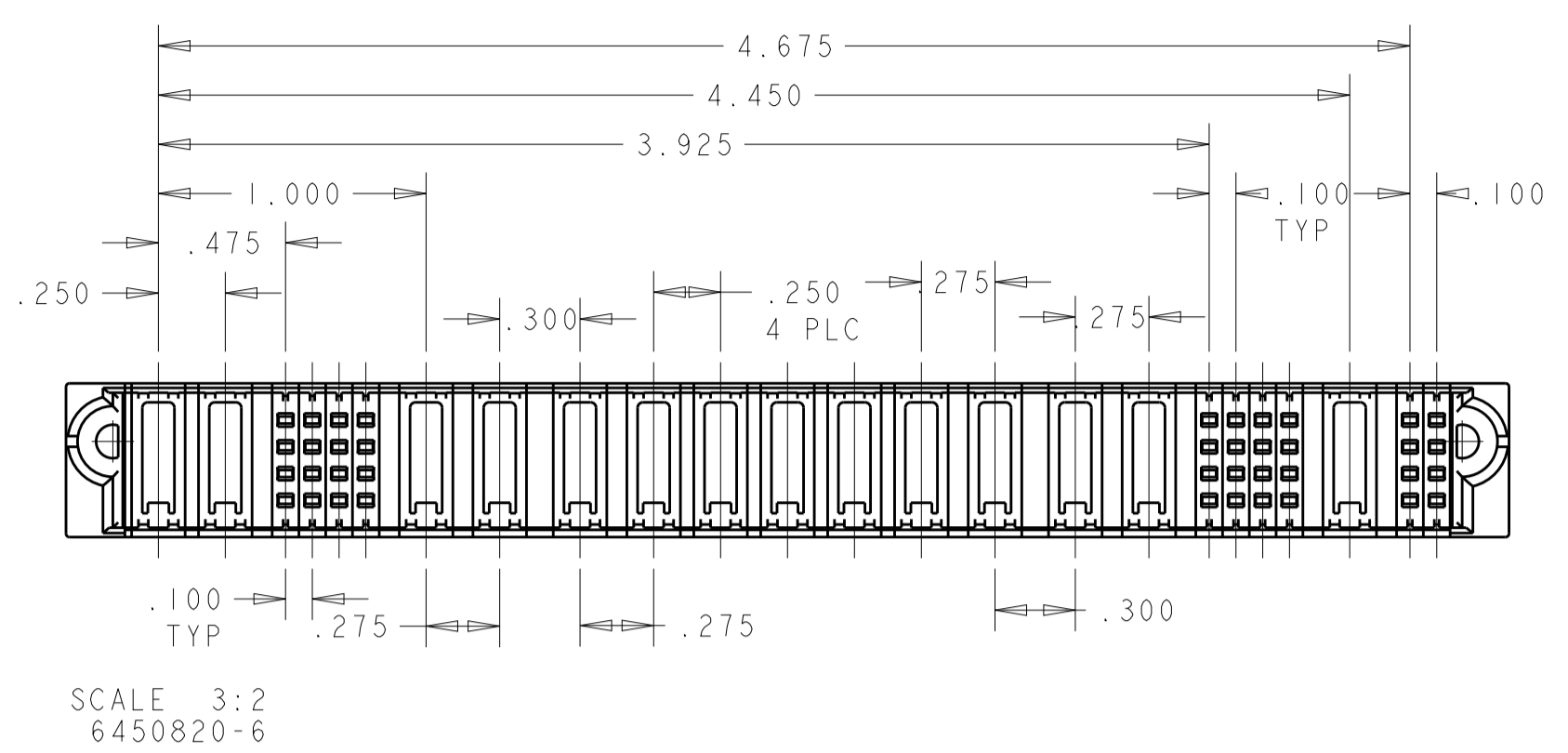


THIS DRAWING IS A CONTROLLED DOCUMENT.		OWN D. ZHU	15NOV2007	<b>STE</b> TE Connectivity
DIMENSIONS: INCHES		CHK S. ZHAO	15NOV2007	
TOLERANCES UNLESS OTHERWISE SPECIFIED:		APVD S. ZHAO		NAME VERTICAL HEADER ASSEMBLY W/ SHORT END MODULES, PRESS FIT MULTI-BEAM XLE
0 PLC ±		PRODUCT SPEC		
1 PLC ±.01		APPLICATION SPEC	108-2292	
2 PLC ±.01		APPLICATION SPEC	114-13251	
3 PLC ±.005		WEIGHT		SIZE A100779
4 PLC ±.0020		RESTRICTED TO		
ANGLES FINISH		SCALE		SHEET 8 OF 20
MATERIAL		Customer Drawing		

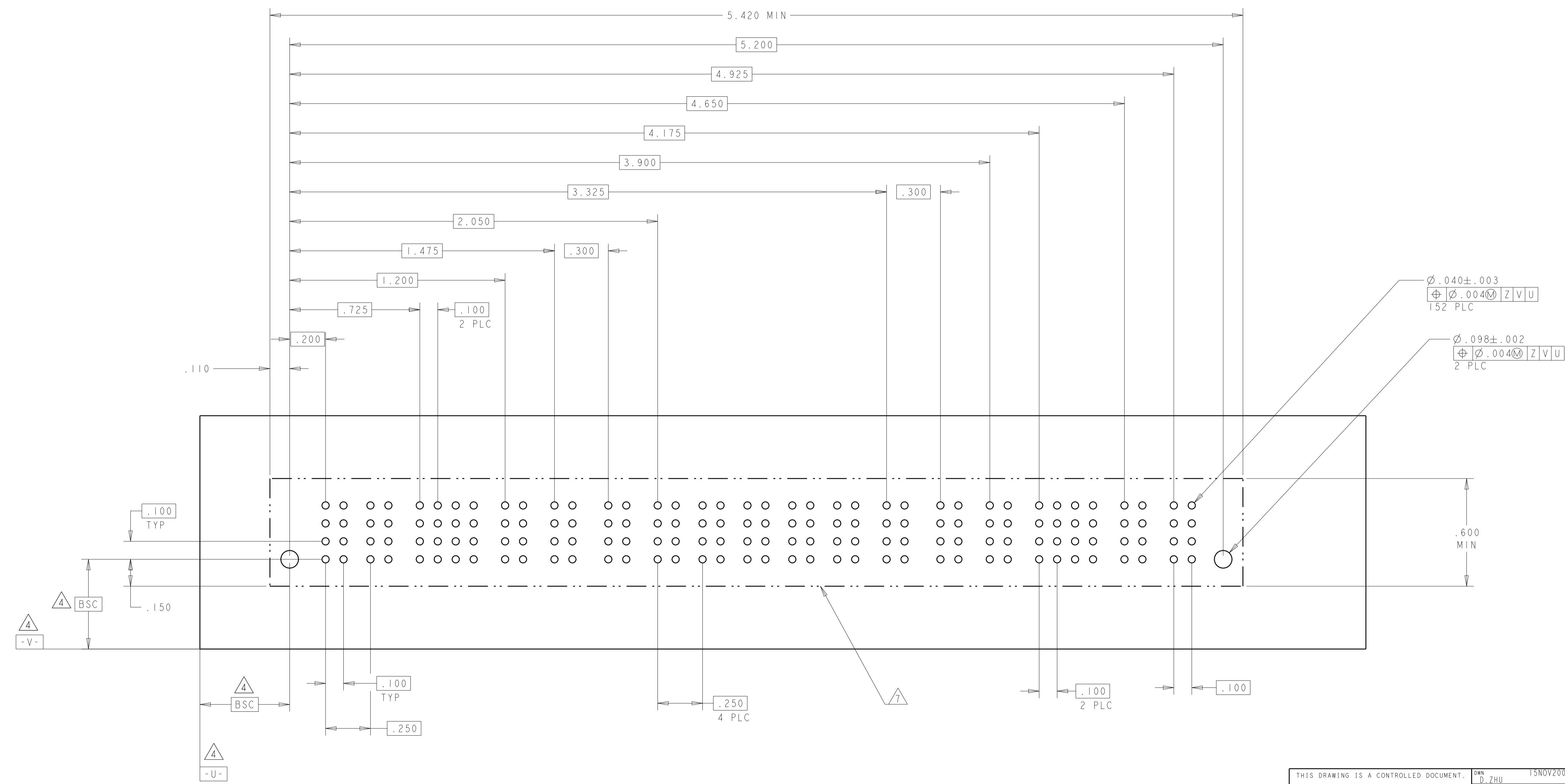


LOC	DIST	REV	DATE	BY	APPR
ES	00				
REVISIONS					
DESCRIPTION			DATE	BY	APPR
SEE SHEET 1					

PART NUMBER	ROWS	POWER		SIGNAL				POWER								SIGNAL				POWER	SIGNAL					
		P1	P2	1	2	3	4	P3	P4	P5	P6	P7	P8	P9	P10	P11	P12	P13	5	6	7	8	P14	9	10	
6450820-6	D C B A	VM		EV	EV	EV	EV		VM	VM		VM	VM		VM	VM		VM	VM	EV	EV	EV	EV		EV	ES
2P+16S+1P+2ACP+5P+2ACP+1P+16S+1P+8S				EV	EV	EV	EV													EV	EV	EV	EV		EV	EV
				ES	EV	EV	EV													EV	EV	EV	EV		EV	EV



NO CONTACTS LOADED




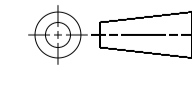
THIS DRAWING IS A CONTROLLED DOCUMENT.		OWN: D.ZHU 15NOV2007	 TE Connectivity
DIMENSIONS: INCHES		CHK: S.ZHAO 15NOV2007	
TOLERANCES UNLESS OTHERWISE SPECIFIED:		APPR: S.ZHAO	NAME: VERTICAL HEADER ASSEMBLY W/ SHORT END MODULES, PRESS FIT MULTI-BEAM XLE
0 PLC ±. 1 PLC ±.01 2 PLC ±.01 3 PLC ±.005 4 PLC ±.002 ANGLES ±.020 FINISH		PRODUCT SPEC: 108-2292	SIZE: A100779
MATERIAL: -		APPLICATION SPEC: 114-13251	DRAWING NO: C=6450820
		WEIGHT: -	RESTRICTED TO: -
		Customer Drawing	SCALE: - SHEET 9 OF 20 REV: G8

LOC	DIST	REVISIONS			
P	LTN	DESCRIPTION	DATE	DMN	APVD
ES	00	- SEE SHEET 1	-	-	-

PART NUMBER	ROWS	HD	POWER		SIGNAL				POWER							SIGNAL				POWER	SIGNAL			HD			
			P1	P2	1	2	3	4	P3	P4	P5	P6	P7	P8	P9	P10	P11	P12	P13	5	6	7	8		P14	9	10
6450820-7	D C B A	HD	VM		EV	EV	EV	EV		VM	VM		VM		VM		VM		VM	VM		EV	EV	EV	EV	EV	ES
2P+16S+1P+2ACP+5P+2ACP+1P+16S+1P+8S					EV	EV	EV	EV														EV	EV	EV	EV	EV	EF
					EV	EV	EV	EV														EV	EV	EV	EV	EV	EV
					EV	EV	EV	EV														EV	EV	EV	EV	EV	EV

NO CONTACTS LOADED

THE PCB LAYOUT IS THE SAME AS 6450820-6.  
 PLEASE SEE 6450820-6 FOR DETAIL DIM.

THIS DRAWING IS A CONTROLLED DOCUMENT.		DMN D. ZHU 15NOV2007	 TE Connectivity
DIMENSIONS: INCHES		CHK S. ZHAO 15NOV2007	
TOLERANCES UNLESS OTHERWISE SPECIFIED: 0 PLC ±. 1 PLC ±.01 2 PLC ±.01 3 PLC ±.005 4 PLC ±.0020 ANGLES ±.2°		APVD S. ZHAO	NAME VERTICAL HEADER ASSEMBLY W/ SHORT END MODULES, PRESS FIT MULTI-BEAM XLE
		PRODUCT SPEC 108-2292	SIZE A100779
MATERIAL		APPLICATION SPEC 114-13251	DRAWING NO C=6450820
FINISH		WEIGHT	RESTRICTED TO
		Customer Drawing	SCALE - SHEET 10 OF 20 REV G8

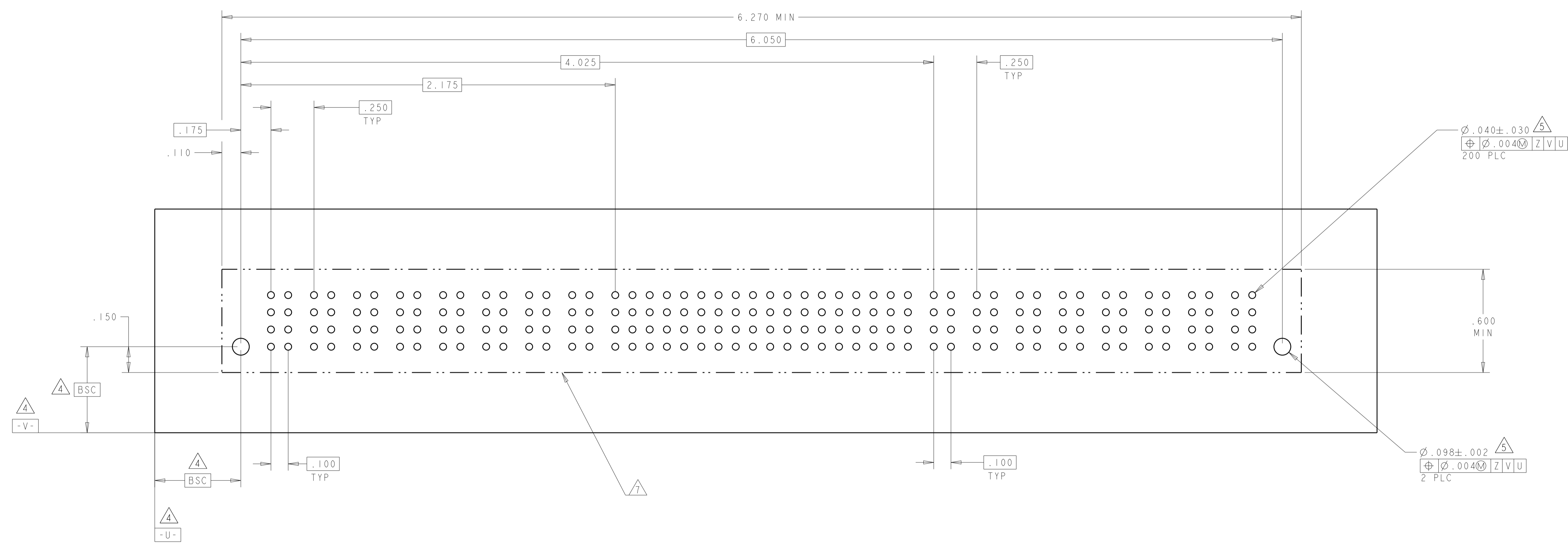
LOC	DIST	REV	DATE	BY	APP'D
ES	00				

REV	DESCRIPTION	DATE	BY	APP'D
1	SEE SHEET 1			

PART NUMBER	ROWS	POWER								SIGNAL																		POWER																			
		P1	P2	P3	P4	P5	P6	P7	P8	1	2	3	4	5	6	7	8	9	10	11	12	13	14	15	16	17	18	P9	P10	P11	P12	P13	P14	P15	P16												
6450820-8	D	VM	VM	VM	VM	VM	VM	VM	VM	EV	EV	EV	EV	EV	EV	EV	EV	EV	EV	EV	EV	EV	EV	EV	EV	EV	EV	EV	EV	EV	EV	EV	EV	EV	EV	EV	EV	EV	VM	VM	VM	VM	VM	VM	VM	VM	
	C	VM	VM	VM	VM	VM	VM	VM	VM	EV	EV	EV	EV	EV	EV	EV	EV	EV	EV	EV	EV	EV	EV	EV	EV	EV	EV	EV	EV	EV	EV	EV	EV	EV	EV	EV	EV	EV	VM	VM	VM	VM	VM	VM	VM	VM	
	B	VM	VM	VM	VM	VM	VM	VM	VM	EV	EV	EV	EV	EV	EV	EV	EV	EV	EV	EV	EV	EV	EV	EV	EV	EV	EV	EV	EV	EV	EV	EV	EV	EV	EV	EV	EV	EV	EV	VM	VM	VM	VM	VM	VM	VM	VM
	A	VM	VM	VM	VM	VM	VM	VM	VM	EV	EV	EV	EV	EV	EV	EV	EV	EV	EV	EV	EV	EV	EV	EV	EV	EV	EV	EV	EV	EV	EV	EV	EV	EV	EV	EV	EV	EV	EV	EV	VM	VM	VM	VM	VM	VM	VM

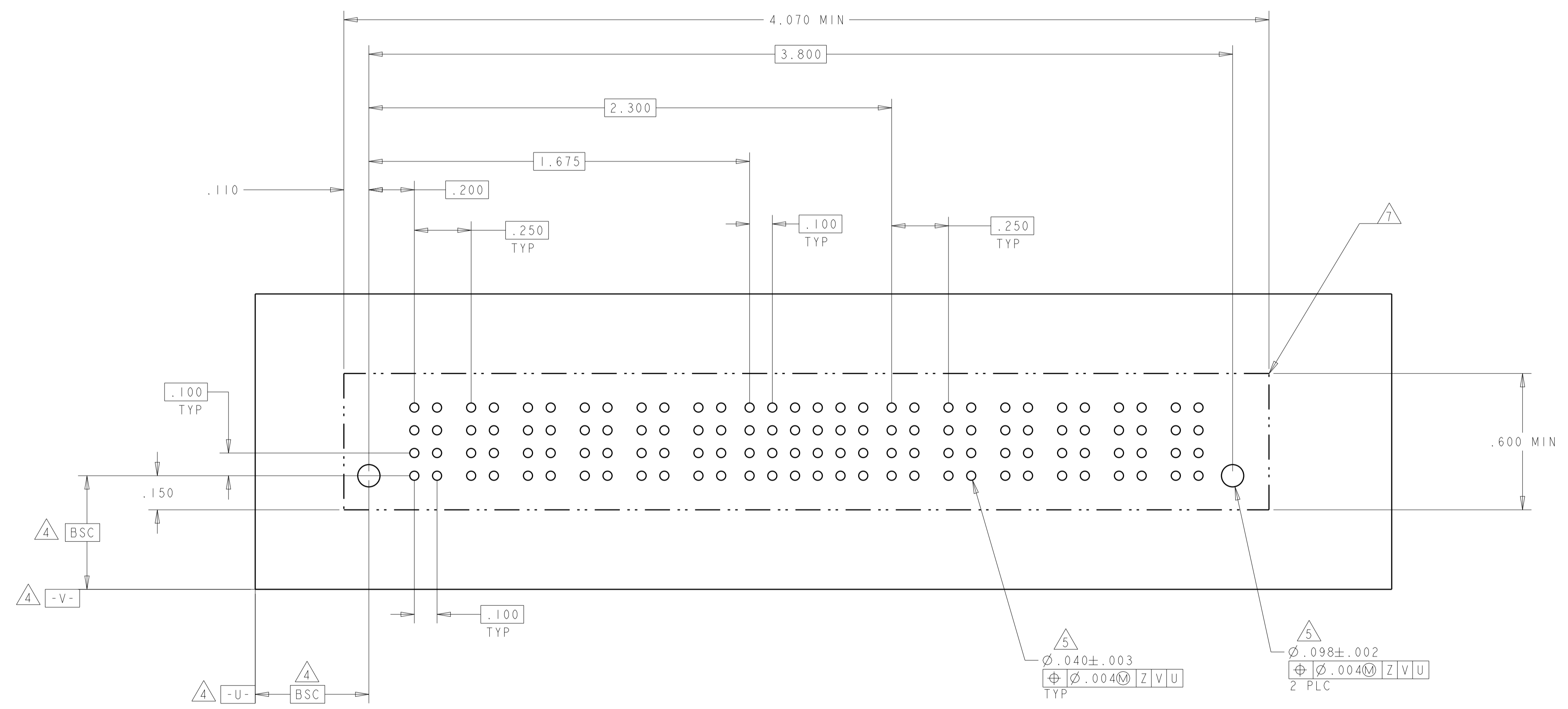
8P + 72S + 8P



THIS DRAWING IS A CONTROLLED DOCUMENT.		DWN: D. ZHU 15NOV2007 CHK: S. ZHAO 15NOV2007	TE Connectivity
DIMENSIONS: INCHES	TOLERANCES UNLESS OTHERWISE SPECIFIED: 0 PLC ± .01 1 PLC ± .01 2 PLC ± .01 3 PLC ± .005 4 PLC ± .002 ANGLES ± .7° FINISH: -	APVD: S. ZHAO PRODUCT SPEC: 108-2292 APPLICATION SPEC: 114-13251 WEIGHT: - Customer Drawing	

LOC	DIST	REVISIONS					
		P	LTN	DESCRIPTION	DATE	DWN	APVD
ES	00	-	-	SEE SHEET 1	-	-	-

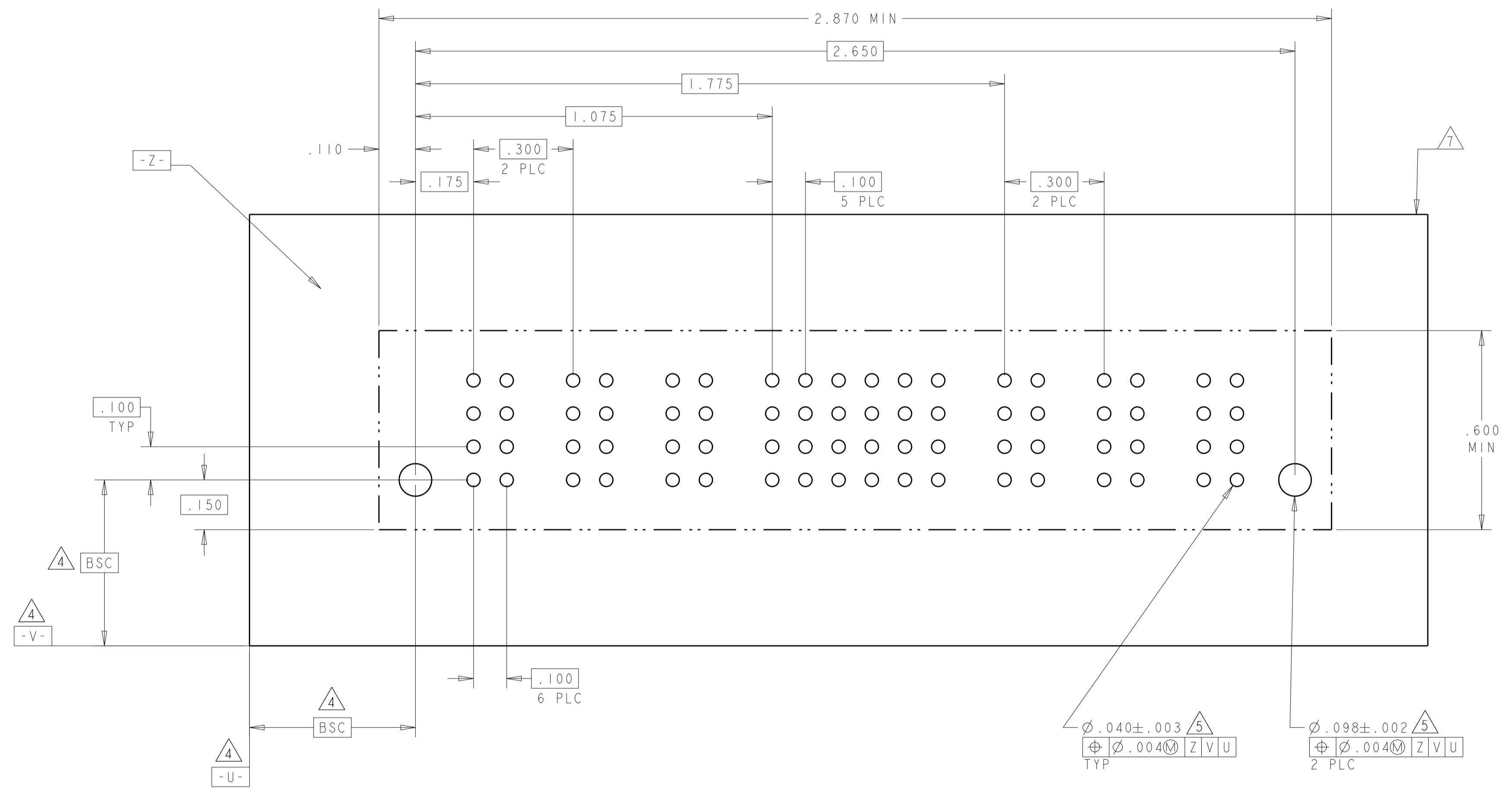
PART NUMBER	ROWS	HD	POWER						SIGNAL						POWER						HD					
			P1	P2	P3	P4	P5	P6	1	2	3	4	5	6	P7	P8	P9	P10	P11	P12						
1-6450820-1	D C B A	HD	VM	VM	VM	VM	VM	VM	EV	EV	EV	EV	EV	EV	VM	VM	VM	VM	VM	VM	HD					
			VM	VM	VM	VM	VM	VM	EV	EV	EV	EV	EV	EV	VM	VM	VM	VM	VM	VM	HD					
			VM	VM	VM	VM	VM	VM	EV	EV	EV	EV	EV	EV	VM	VM	VM	VM	VM	VM	HD					
			VM	VM	VM	VM	VM	VM	ES	EV	EV	EV	EV	EV	VM	VM	VM	VM	VM	VM	HD					
6P + 24S + 6P																										



THIS DRAWING IS A CONTROLLED DOCUMENT.		DWN D. ZHU CHK S. ZHAO	15NOV2007 15NOV2007		TE Connectivity	
DIMENSIONS: INCHES	TOLERANCES UNLESS OTHERWISE SPECIFIED:	APVD S. ZHAO	NAME VERTICAL HEADER ASSEMBLY W/ SHORT END MODULES, PRESS FIT MULTI-BEAM XLE		SIZE A100779	CAGE CODE C=6450820
	0 PLC ±. 1 PLC ±.01 2 PLC ±.01 3 PLC ±.005 4 PLC ±.0020 ANGLES ±.7°	PRODUCT SPEC 108-2292	APPLICATION SPEC 114-13251	WEIGHT	SCALE	SHEET 12 OF 20
MATERIAL	FINISH	Customer Drawing		REV G8		

LOC		DIST		REVISIONS			
ES	00	P	LTN	DESCRIPTION	DATE	DWN	APVD
		-		SEE SHEET 1	-	-	-

PART NUMBER	ROWS	POWER			SIGNAL						POWER		
		P1	P2	P3	1	2	3	4	5	6	P4	P5	P6
1-6450820-3	D	VM	VM	VM	EV	EV	EV	EV	EV	EV	VM	VM	VM
	C				EV	EV	EV	EV	EV	EV			
	B				EV	EV	EV	EV	EV	EV			
	A				EV	EV	EV	EV	EV	EV			
3ACP + 24S + 3ACP													

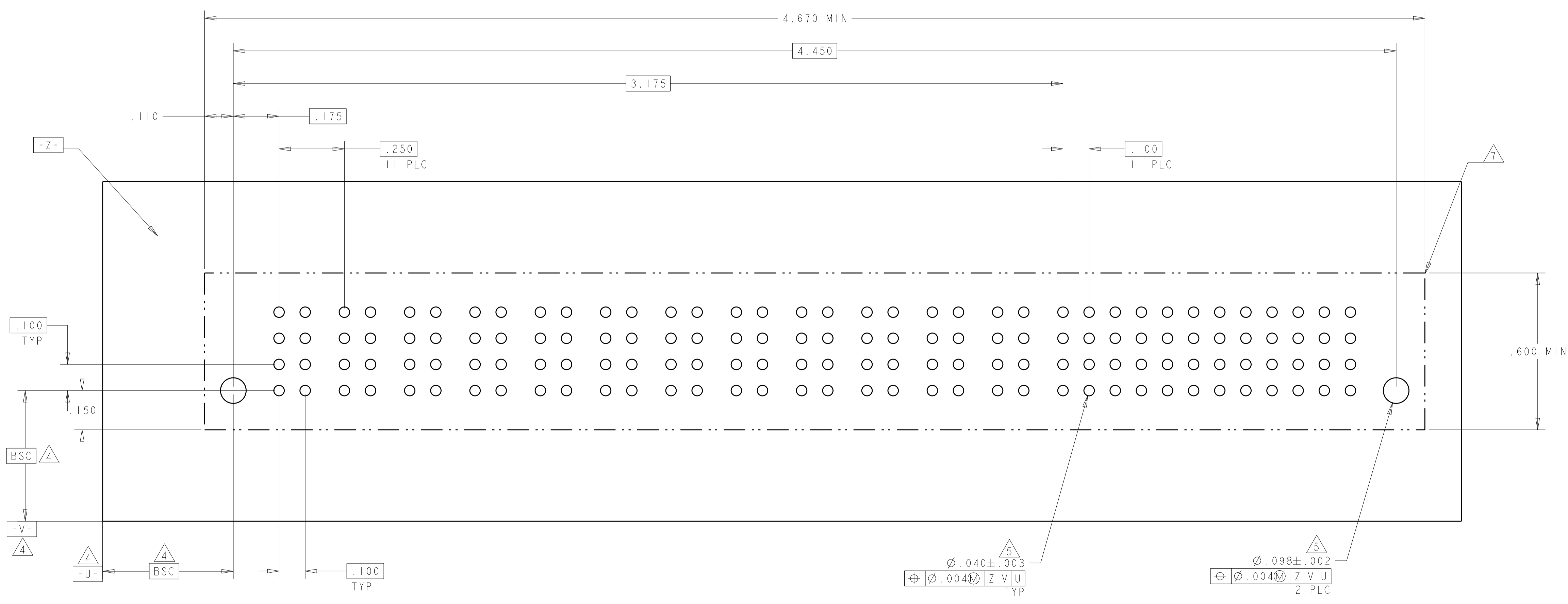


THIS DRAWING IS A CONTROLLED DOCUMENT.

DIMENSIONS: INCHES	TOLERANCES UNLESS OTHERWISE SPECIFIED:	DWN D. ZHU CHK S. ZHAO APVD S. ZHAO	15NOV2007 15NOV2007		NAME VERTICAL HEADER ASSEMBLY W/ SHORT END MODULES, PRESS FIT MULTI-BEAM XLE	
	0 PLC ± 1 PLC ±.01 2 PLC ±.01 3 PLC ±.005 4 PLC ±.0020 ANGLES ±.2°	PRODUCT SPEC 108-2292	APPLICATION SPEC 114-13251		SIZE A100779	DRAWING NO C=6450820
MATERIAL	FINISH	WEIGHT	Customer Drawing	SCALE	SHEET 13 OF 20	REV G8

LOC	DIST	REVISIONS					
		P	LTN	DESCRIPTION	DATE	DWN	APVD
ES	00	-	-	SEE SHEET 1	-	-	-

PART NUMBER	ROWS	POWER												SIGNAL											
		P1	P2	P3	P4	P5	P6	P7	P8	P9	P10	P11	P12	1	2	3	4	5	6	7	8	9	10	11	12
1-6450820-7	D	VM	VM	VM	VM	VM	VM	VM	VM	VM	VM	VM	VM	EV	EV	EV	EV	EV	EV	EV	EV	EV	EV	EV	EV
	C	VM	VM	VM	VM	VM	VM	VM	VM	VM	VM	VM	VM	EV	EV	EV	EV	EV	EV	EV	EV	EV	EV	EV	EV
	B	VM	VM	VM	VM	VM	VM	VM	VM	VM	VM	VM	VM	EV	EV	EV	EV	EV	EV	EV	EV	EV	EV	EV	EV
	A	VM	VM	VM	VM	VM	VM	VM	VM	VM	VM	VM	VM	EV	EV	EV	EV	EV	EV	EV	EV	EV	EV	EV	EV
12P + 48S																									

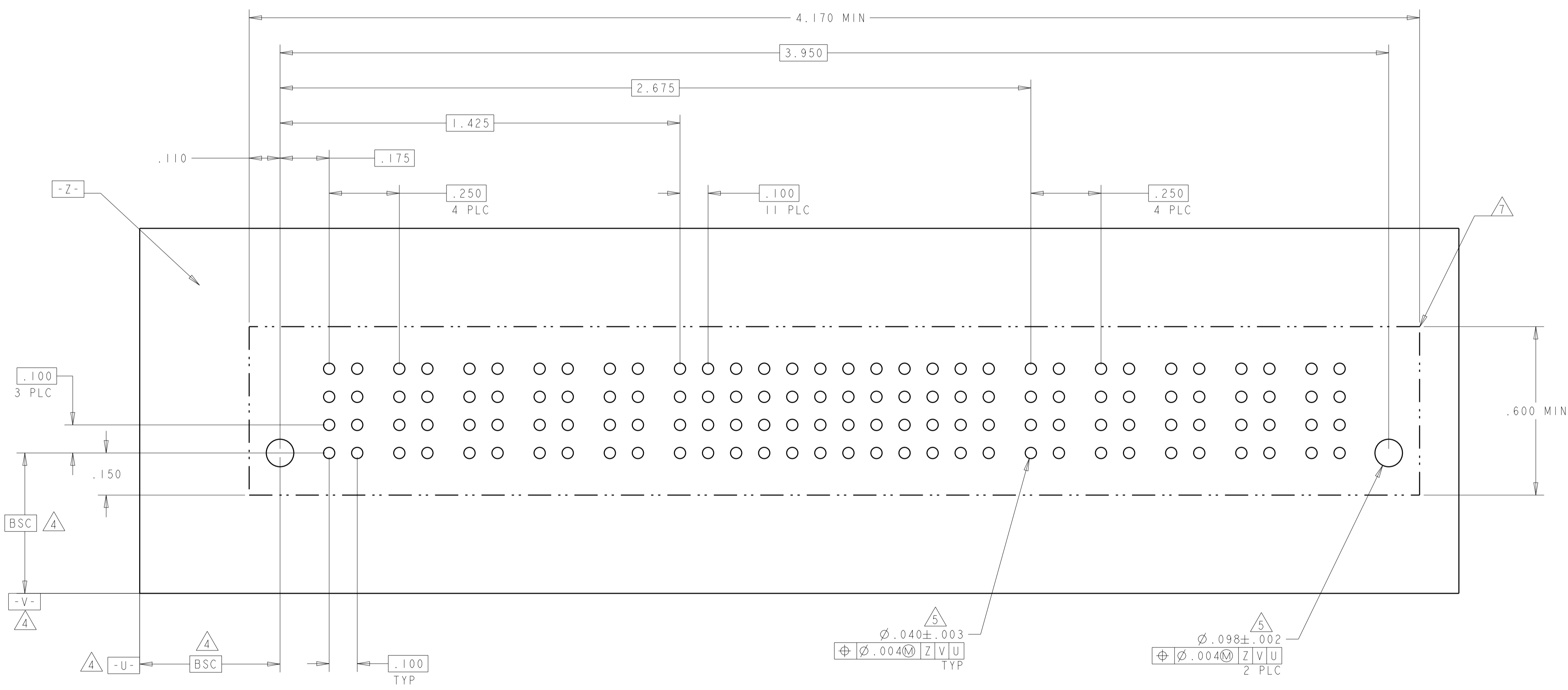


THIS DRAWING IS A CONTROLLED DOCUMENT.

DIMENSIONS: INCHES	TOLERANCES UNLESS OTHERWISE SPECIFIED:	DWN D. ZHU CHK S. ZHAO APVD S. ZHAO	15NOV2007 15NOV2007
	0 PLC ±. 1 PLC ±.01 2 PLC ±.01 3 PLC ±.005 4 PLC ±.0020 ANGLES ±.2°	NAME VERTICAL HEADER ASSEMBLY W/ SHORT END MODULES, PRESS FIT MULTI-BEAM XLE	RESTRICTED TO
MATERIAL	FINISH	PRODUCT SPEC 108-2292	SIZE 114-13251
		APPLICATION SPEC	WEIGHT
		114-13251	Customer Drawing

SCALE - SHEET 14 OF 20 REV G8

PART NUMBER	ROWS	POWER					SIGNAL												POWER										
		P1	P2	P3	P4	P5	1	2	3	4	5	6	7	8	9	10	11	12	P6	P7	P8	P9	P10						
1-6450820-8	D C B A	VM	VM	VM	VM	VM	EV	EV	EV	EV	EV	EV	EV	EV	EV	EV	EV	EV	EV	EV	EV	EV	EV						
							EV	EV	EV	EV	EV	EV	EV	EV	EV	EV	EV	EV	EV	EV	EV	EV	EV	EV	EV	EV	EV		
							EV	EV	EV	EV	EV	EV	EV	EV	EV	EV	EV	EV	EV	EV	EV	EV	EV	EV	EV	EV	EV	EV	EV
							EV	EV	EV	EV	EV	EV	EV	EV	EV	EV	EV	EV	EV	EV	EV	EV	EV	EV	EV	EV	EV	EV	EV
5P + 48S + 5P																													



$\phi .040 \pm .003$   
 $\oplus \phi .004 \textcircled{\Delta} Z|V|U$   
 TYP

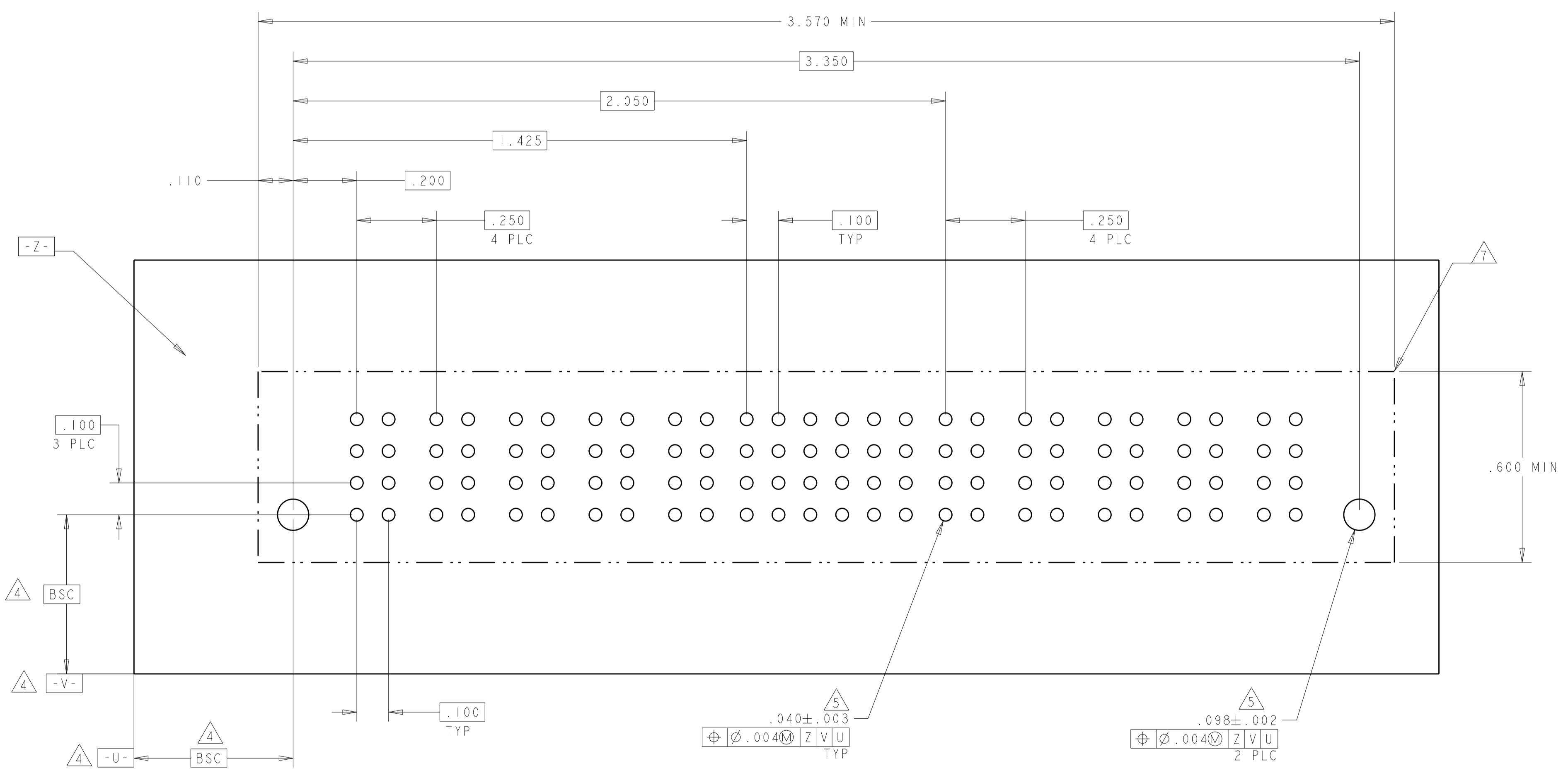
$\phi .098 \pm .002$   
 $\oplus \phi .004 \textcircled{\Delta} Z|V|U$   
 2 PLC

THIS DRAWING IS A CONTROLLED DOCUMENT. DWN: D.ZHU 15NOV2007 CHK: S.ZHAO 15NOV2007  
 DIMENSIONS: INCHES  
 TOLERANCES UNLESS OTHERWISE SPECIFIED:  
 0 PLC ±.  
 1 PLC ±.01  
 2 PLC ±.01  
 3 PLC ±.05  
 4 PLC ±.0020  
 ANGLES \*7°  
 FINISH: -  
 MATERIAL: -  
 CUSTOMER DRAWING

NAME: VERTICAL HEADER ASSEMBLY W/ SHORT END MODULES, PRESS FIT MULTI-BEAM XLE  
 PRODUCT SPEC: 108-2292  
 APPLICATION SPEC: 114-13251  
 RESTRICTED TO: -  
 SCALE: - SHEET 15 OF 20 REV: G8

LOC	DIST	REVISIONS			
		REV	DATE	BY	APPD
ES	00	-	SEE SHEET 1	-	-

PART NUMBER	ROWS	POWER					SIGNAL						POWER				
		P1	P2	P3	P4	P5	1	2	3	4	5	6	P6	P7	P8	P9	P10
1-6450820-9	D C B A	VM	VM	VM	VM	VM	EV	EV	EV	EV	EV	EV	VM	VM	VM	VM	VM
							EV	EV	EV	EV	EV	EV					
							EV	EV	EV	EV	EV	EV					
							EV	EV	EV	EV	EV	EV					
5P + 24S + 5P																	



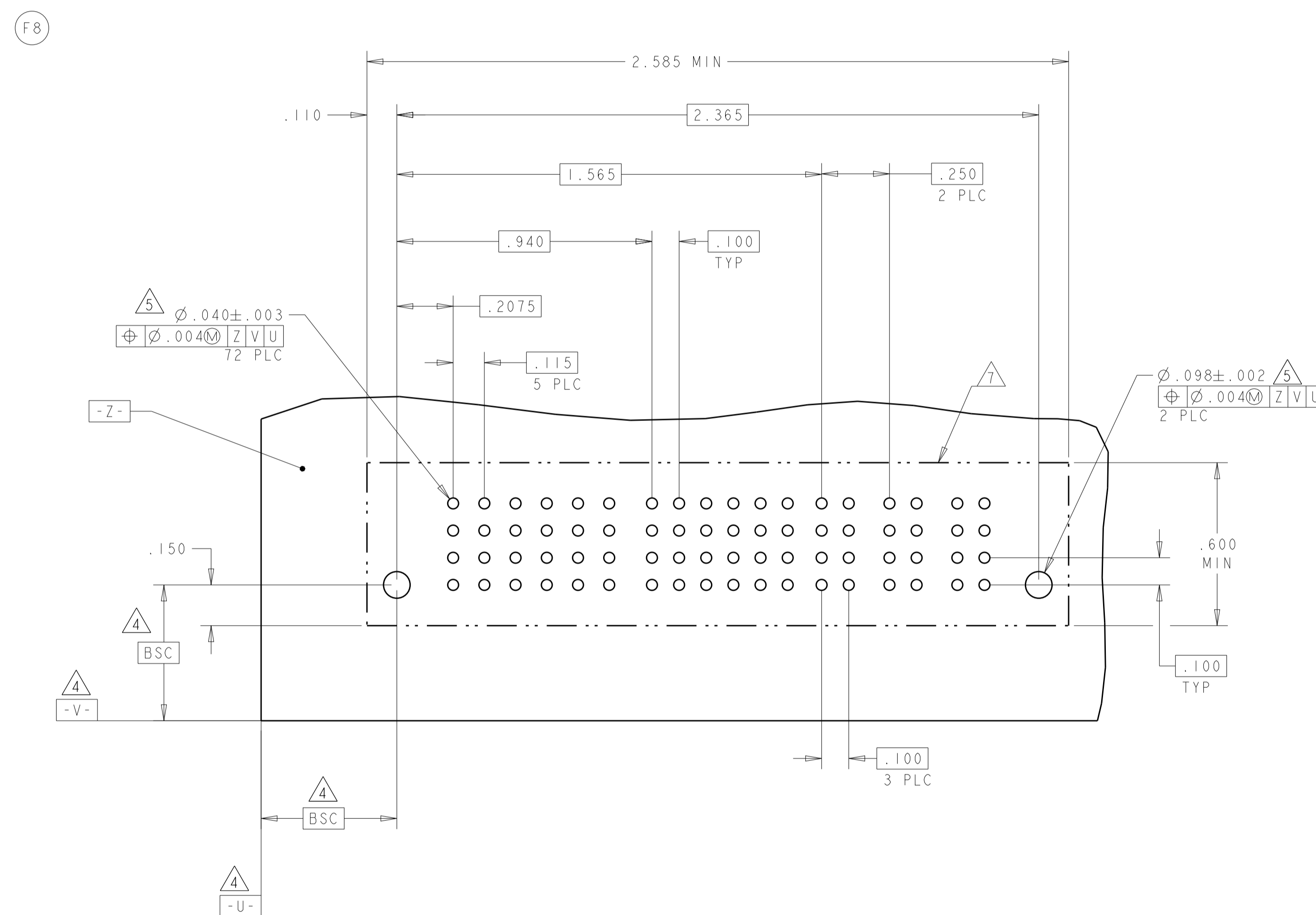
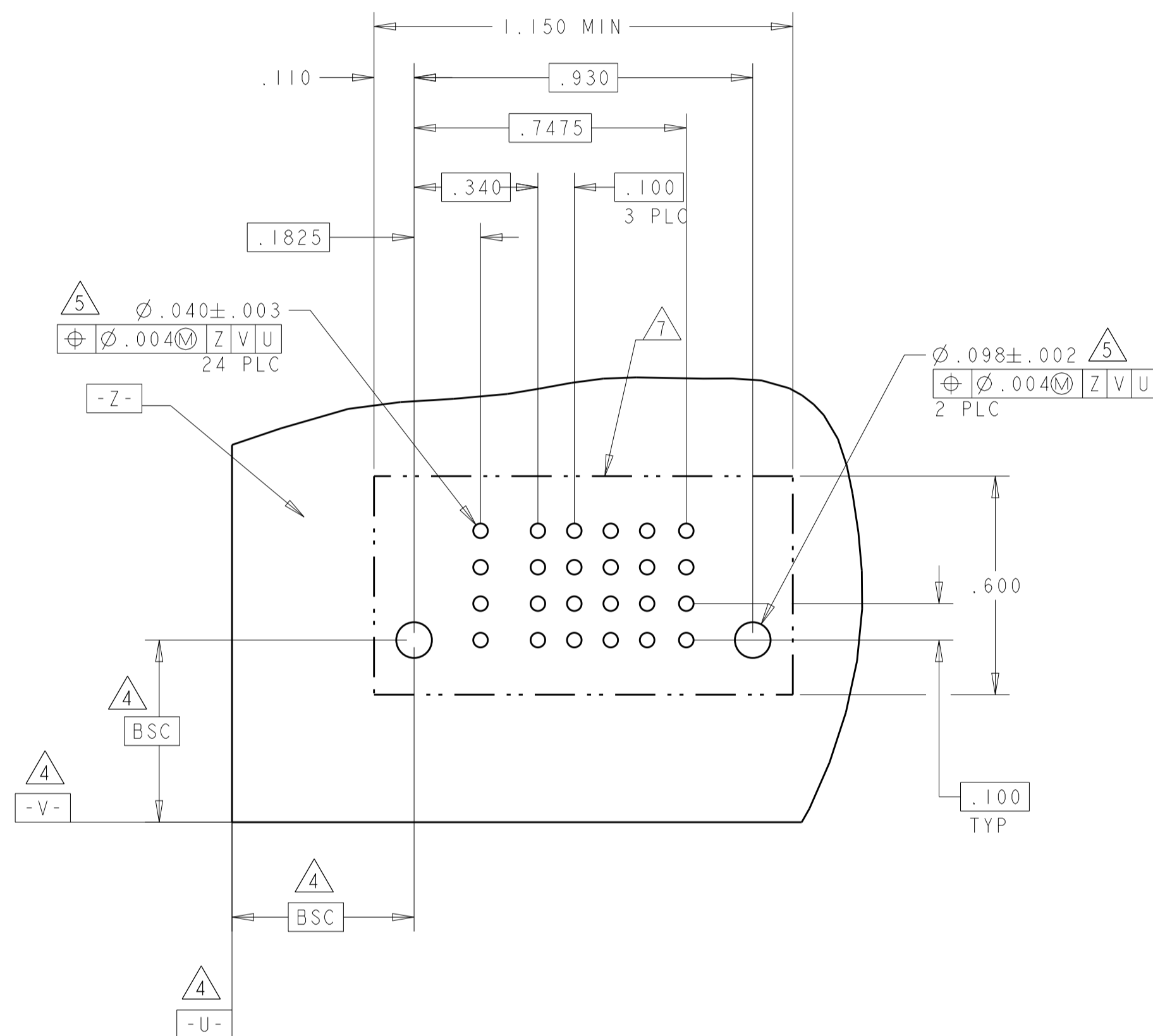
THIS DRAWING IS A CONTROLLED DOCUMENT.		OWN: D.ZHU 15NOV2007	TE Connectivity
DIMENSIONS: INCHES		CHK: S.ZHAO 15NOV2007	
		TOLERANCES UNLESS OTHERWISE SPECIFIED:	NAME: VERTICAL HEADER ASSEMBLY W/ SHORT END MODULES, PRESS FIT MULTI-BEAM XLE
MATERIAL: -		FINISH: -	PRODUCT SPEC: 108-2292
APPROVED: -		APPROVED: -	APPLICATION SPEC: 114-13251
SCALE: -		DATE: 11-14-2007	RESTRICTED TO: -
SHEET: 16 OF 20		REV: G8	Customer Drawing



LOC	DIST	REVISIONS					
		P	LTN	DESCRIPTION	DATE	DMN	APVD
ES	00	-	-	SEE SHEET 1	-	-	-

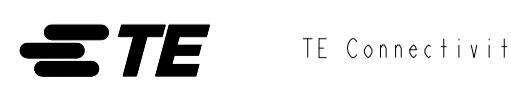
PART NUMBER	ROWS	POWER		SIGNAL				POWER	
		LP1	LP2	1	2	3	4	LP1	LP2
2-6450820-0	D	LZ	HD	EV	EV	EV	EV	LZ	HD
	C			EV	EV	EV	EV		
	B			EV	EV	EV	EV		
	A			EV	EV	EV	EV		
ILP + 16S + ILP									

PART NUMBER	ROWS	LOW POWER						SIGNAL						POWER			
		LP1	LP2	LP3	LP4	LP5	LP6	1	2	3	4	5	6	P1	P2	P3	
2-6450820-1	D	LZ	LZ	LZ	LZ	LZ	LZ	EV	EV	EV	EV	EV	EV	VM	VM	VM	HD
	C							EV	EV	EV	EV	EV	EV				
	B							EV	EV	ES	EV	EV	EV				
	A							EV	EV	EV	EV	EV	EV				
6LP + 24S + 3P																	



DIMENSIONS:		TOLERANCES UNLESS OTHERWISE SPECIFIED:	
INCHES		0 PLC	±
		1 PLC	±.01
		2 PLC	±.01
		3 PLC	±.005
		4 PLC	±.0020
		ANGLES	M <sup>o</sup>
		FINISH	-

MATERIAL		FINISH	
-		-	

THIS DRAWING IS A CONTROLLED DOCUMENT.		DWG D_ZHU 15NOV2007			
		CHK S_ZHAO 15NOV2007			
		APVD S_ZHAO		NAME	
				VERTICAL HEADER ASSEMBLY W/ SHORT	
				END MODULES, PRESS FIT	
				MULTI-BEAM XLE	
				SIZE CAGE CODE DRAWING NO	
				A100779C=6450820	
				RESTRICTED TO	
				-	
				SCALE SHEET 17 OF 20 REV	
				G8	

LOC	DIST	REVISIONS			
P	LTN	DESCRIPTION	DATE	DWN	APVD
ES	00	SEE SHEET 1	-	-	-

PART NUMBER	ROWS	POWER				SIGNAL
		P1	P2	P3	P4	I
2-6450820-2	D	VM	VM	VM	VM	EV
	C					EV
	B					EV
	A					EV

4ACP + 4S

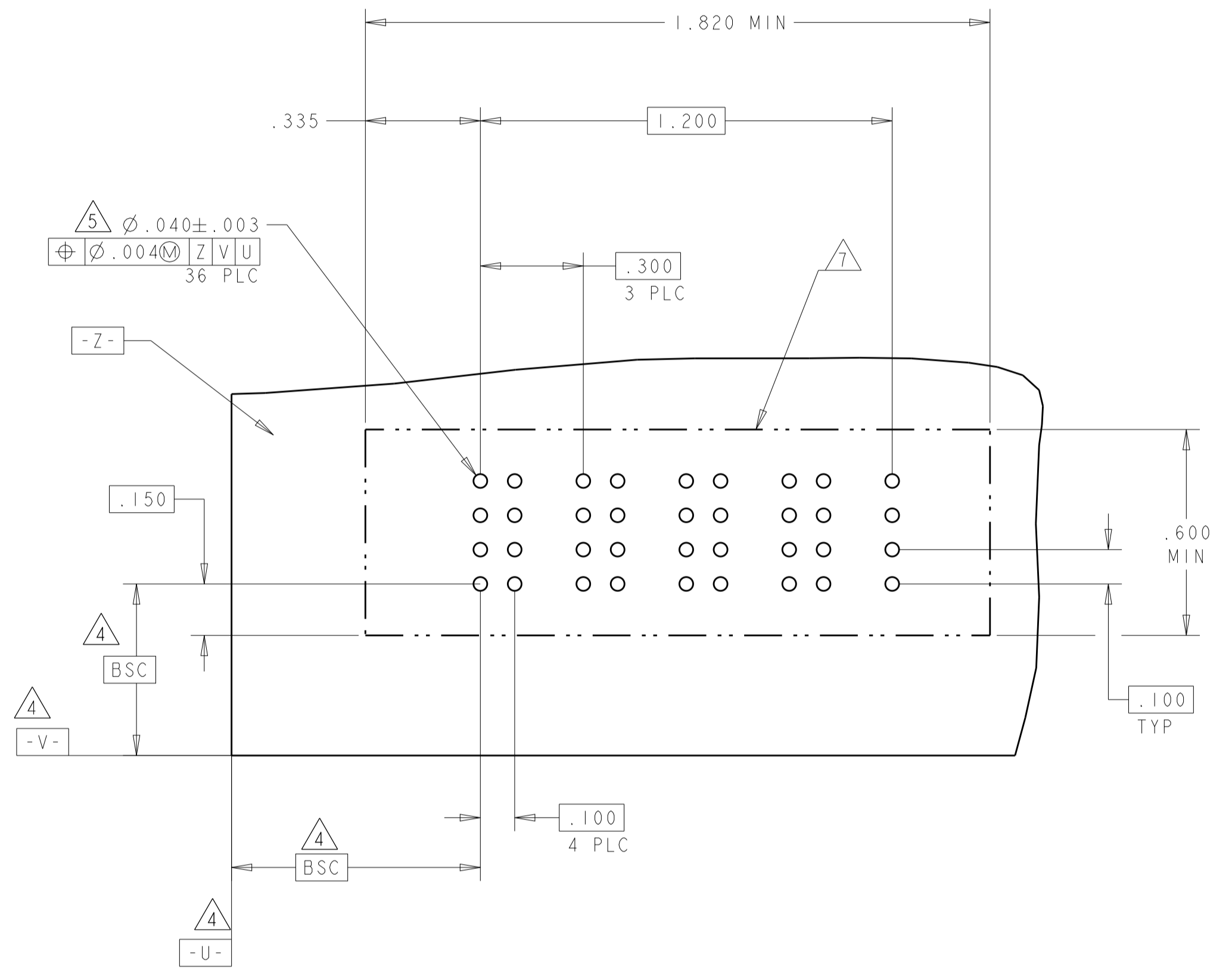
61


PART NUMBER	ROWS	POWER								SIGNAL																		POWER																			
		P1	P2	P3	P4	P5	P6	P7	P8	1	2	3	4	5	6	7	8	9	10	11	12	13	14	15	16	17	18	P9	P10	P11	P12	P13	P14	P15	P16												
6450820-9	D	VM	VM	VM	VM	VM	VM	VM	VM	EV	EV	EV	EV	EV	EV	EV	EV	EV	EV	EV	EV	EV	EV	EV	EV	EV	EV	EV	EV	EV	EV	EV	EV	EV	EV	EV	EV	EV									
	C									EV	EV	EV	EV	EV	EV	EV	EV	EV	EV	EV	EV	EV	EV	EV	EV	EV	EV	EV	EV	EV	EV	EV	EV	EV	EV	EV	EV	EV	EV	EV	EV	EV	EV	EV	EV		
	B									EV	EV	EV	EV	EV	EV	EV	EV	EV	EV	EV	EV	EV	EV	EV	EV	EV	EV	EV	EV	EV	EV	EV	EV	EV	EV	EV	EV	EV	EV	EV	EV	EV	EV	EV	EV	EV	EV
	A									EV	EV	EV	EV	EV	EV	EV	EV	EV	EV	EV	EV	EV	EV	EV	EV	EV	EV	EV	EV	EV	EV	EV	EV	EV	EV	EV	EV	EV	EV	EV	EV	EV	EV	EV	EV	EV	EV

8P + 72S + 8P

63

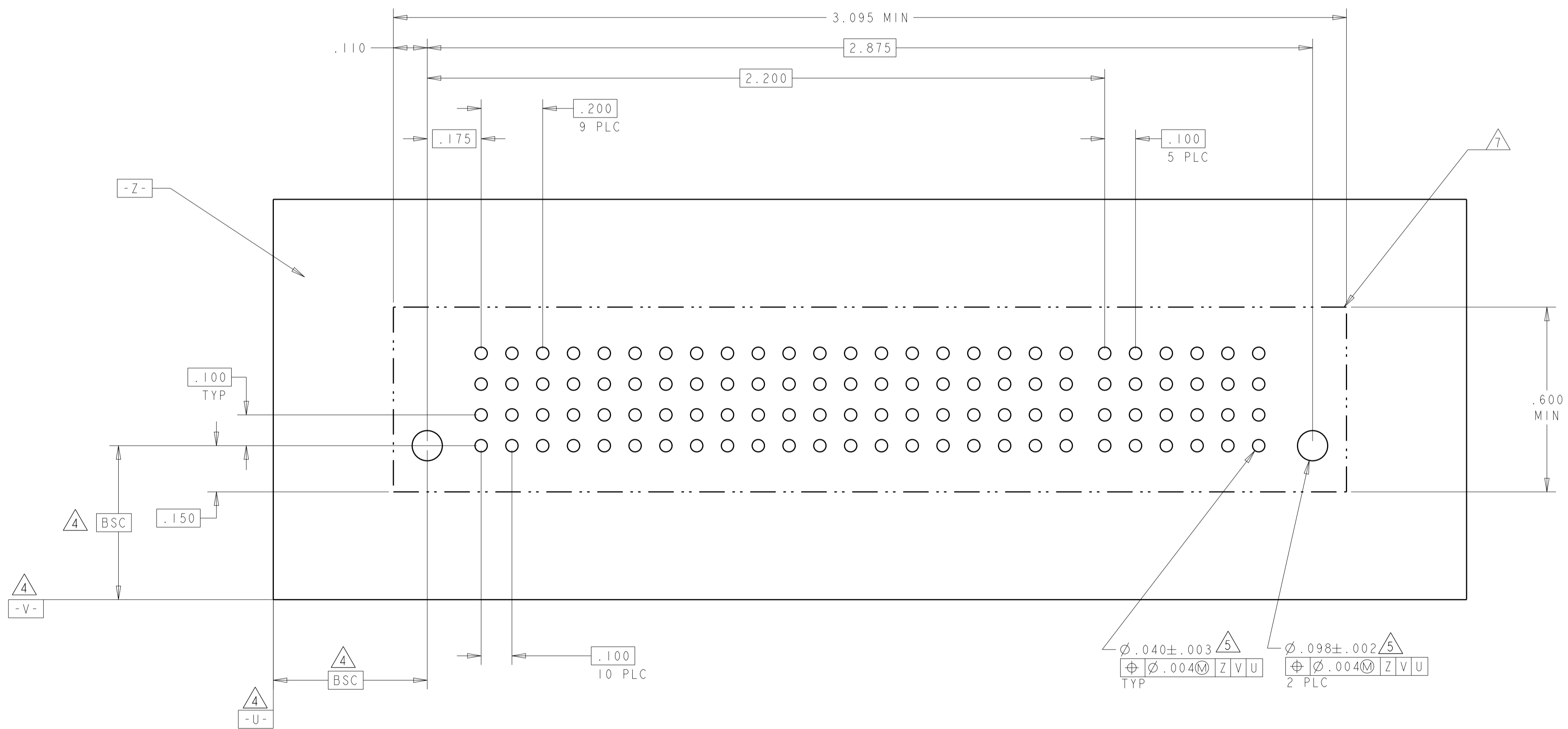
THE PCB LAYOUT IS THE SAME AS 6450820-8.



THIS DRAWING IS A CONTROLLED DOCUMENT.		DWN D. ZHU 15NOV2007	 TE Connectivity
DIMENSIONS: INCHES		CHK S. ZHAO 15NOV2007	
DIMENSIONS: INCHES TOLERANCES UNLESS OTHERWISE SPECIFIED:		APVD S. ZHAO	NAME VERTICAL HEADER ASSEMBLY W/ SHORT END MODULES, PRESS FIT MULTI-BEAM XLE
0 PLC ± 2 PLC ±.01 3 PLC ±.005 4 PLC ±.0020 ANGLES ±.7°		PRODUCT SPEC 108-2292	SIZE A100779
MATERIAL		APPLICATION SPEC 114-13251	DRAWING NO C=6450820
FINISH		WEIGHT	RESTRICTED TO
Customer Drawing		SCALE	SHEET 18 OF 20 REV G8

LOC	DIST	REVISIONS			
P	LTH	DESCRIPTION	DATE	DMN	APVD
ES	00	- SEE SHEET 1	-	-	-

PART NUMBER	ROWS	POWER										SIGNAL					
		P1	P2	P3	P4	P5	P6	P7	P8	P9	P10	1	2	3	4	5	6
2-6450820-3	D	VM	VM	VM	VM	VM	VM	VM	VM	VM	VM	EV	EV	EV	EV	EV	EV
	C											EV	EV	EV	EV	EV	EV
	B											EV	EV	EV	EV	EV	EV
	A											EV	EV	EV	EV	EV	EV
10HDP + 24S		HD											HD				



THIS DRAWING IS A CONTROLLED DOCUMENT. DMN: D. ZHU 15NOV2007  
 CHK: S. ZHAO 15NOV2007

**STE** TE Connectivity

NAME: VERTICAL HEADER ASSEMBLY W/ SHORT END MODULES, PRESS FIT MULTI-BEAM XLE

PRODUCT SPEC: 108-2292  
 APPLICATION SPEC: 114-13251

SIZE: A1 CAGE CODE: 6450820  
 WEIGHT: -

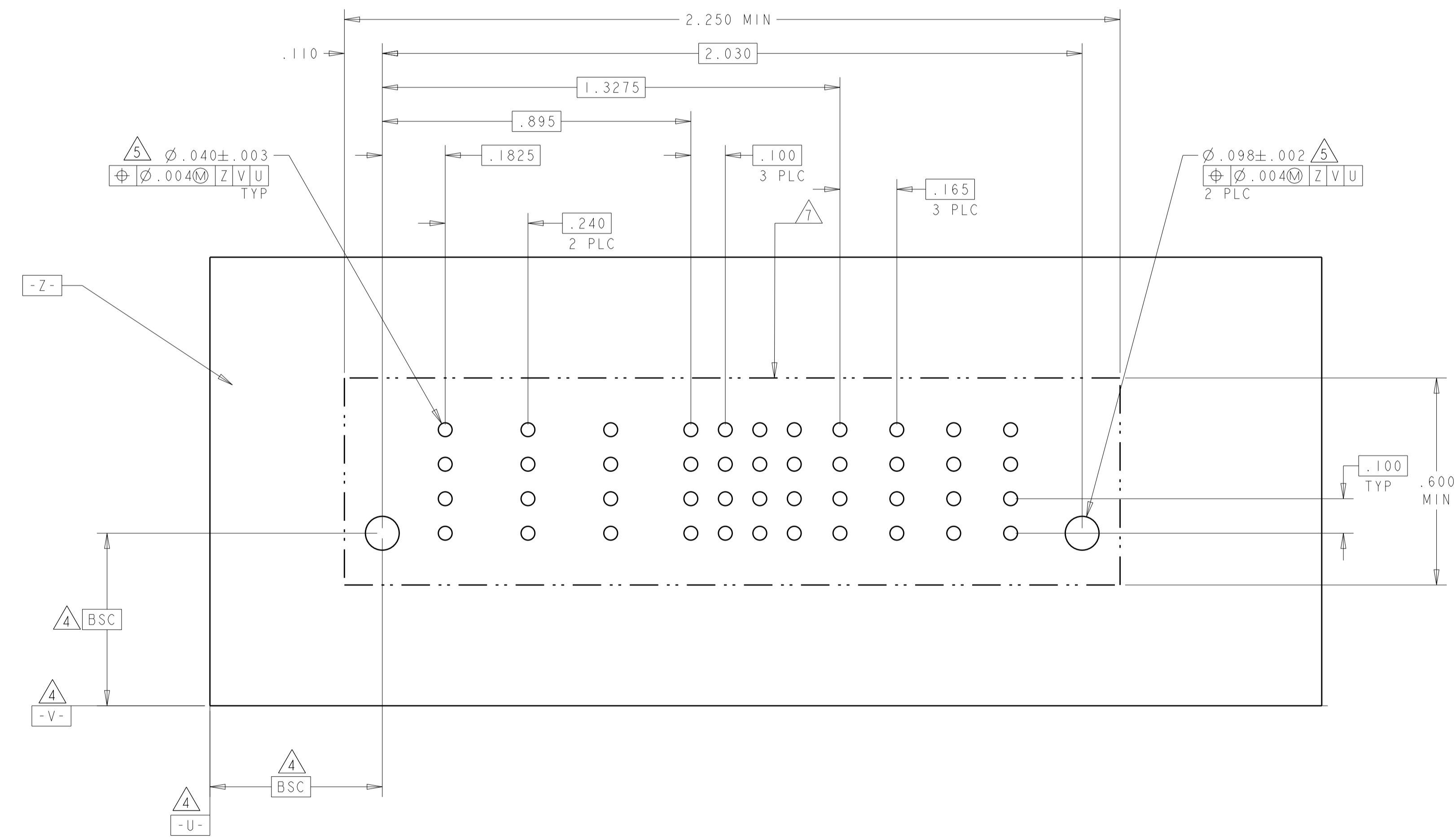
MATERIAL: - FINISH: -

Customer Drawing SCALE: - SHEET 19 OF 20 REV: G8

RESTRICTED TO: -

LOC	DIST	REVISIONS					
		P	LTN	DESCRIPTION	DATE	DWN	APVD
ES	00	-	-	SEE SHEET 1	-	-	-

PART NUMBER	ROWS	HD	POWER			SIGNAL				POWER				HD
			LP1	LP2	LP3	1	2	3	4	LP4	LP5	LP6	LP7	
2-6450820-5	D	C B A	LZ	LZ	LZF	EV	EV	EV	ES	LZ	LZ	LZ	LZ	
	EV					EV	EV	EV						
	EV					EV	EV	EV						
	EV					EV	EV	EV						
3LP + 16S + 4LP														



THIS DRAWING IS A CONTROLLED DOCUMENT.		DWN: D. ZHU 15NOV2007	 TE Connectivity
DIMENSIONS: INCHES		CHK: S. ZHAO 15NOV2007	
TOLERANCES UNLESS OTHERWISE SPECIFIED:		APVD: S. ZHAO	NAME: VERTICAL HEADER ASSEMBLY W/ SHORT END MODULES, PRESS FIT MULTI-BEAM XLE
0 PLC ±	1 PLC ±.01	PRODUCT SPEC: 108-2292	SIZE: A1
2 PLC ±.01	3 PLC ±.005	APPLICATION SPEC: 114-13251	CAGE CODE: 6450820
4 PLC ±.0020	ANGLES ±.2°	WEIGHT: -	RESTRICTED TO: -
MATERIAL: -	FINISH: -	Customer Drawing	SCALE: - SHEET 20 OF 20 REV: G8



Компания «ЭлектроПласт» предлагает заключение долгосрочных отношений при поставках импортных электронных компонентов на взаимовыгодных условиях!

Наши преимущества:

- Оперативные поставки широкого спектра электронных компонентов отечественного и импортного производства напрямую от производителей и с крупнейших мировых складов;
- Поставка более 17-ти миллионов наименований электронных компонентов;
- Поставка сложных, дефицитных, либо снятых с производства позиций;
- Оперативные сроки поставки под заказ (от 5 рабочих дней);
- Экспресс доставка в любую точку России;
- Техническая поддержка проекта, помощь в подборе аналогов, поставка прототипов;
- Система менеджмента качества сертифицирована по Международному стандарту ISO 9001;
- Лицензия ФСБ на осуществление работ с использованием сведений, составляющих государственную тайну;
- Поставка специализированных компонентов (Xilinx, Altera, Analog Devices, Intersil, Interpoint, Microsemi, Aeroflex, Peregrine, Syfer, Eurofarad, Texas Instrument, Miteq, Cobham, E2V, MA-COM, Hittite, Mini-Circuits, General Dynamics и др.);

Помимо этого, одним из направлений компании «ЭлектроПласт» является направление «Источники питания». Мы предлагаем Вам помощь Конструкторского отдела:

- Подбор оптимального решения, техническое обоснование при выборе компонента;
- Подбор аналогов;
- Консультации по применению компонента;
- Поставка образцов и прототипов;
- Техническая поддержка проекта;
- Защита от снятия компонента с производства.



#### Как с нами связаться

**Телефон:** 8 (812) 309 58 32 (многоканальный)

**Факс:** 8 (812) 320-02-42

**Электронная почта:** [org@eplast1.ru](mailto:org@eplast1.ru)

**Адрес:** 198099, г. Санкт-Петербург, ул. Калинина, дом 2, корпус 4, литера А.