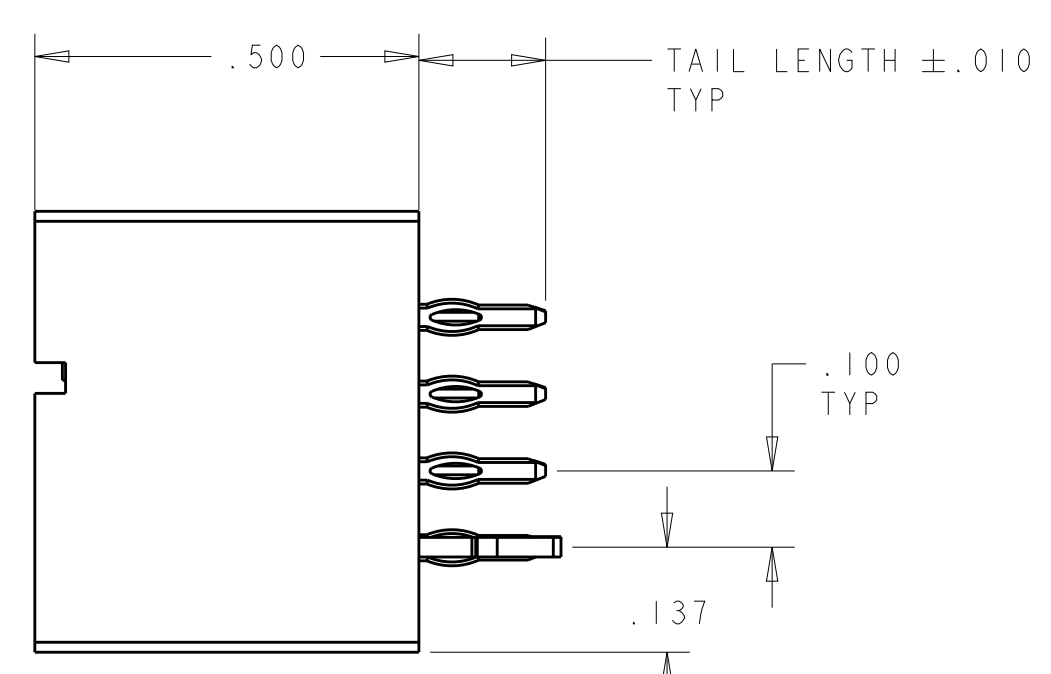
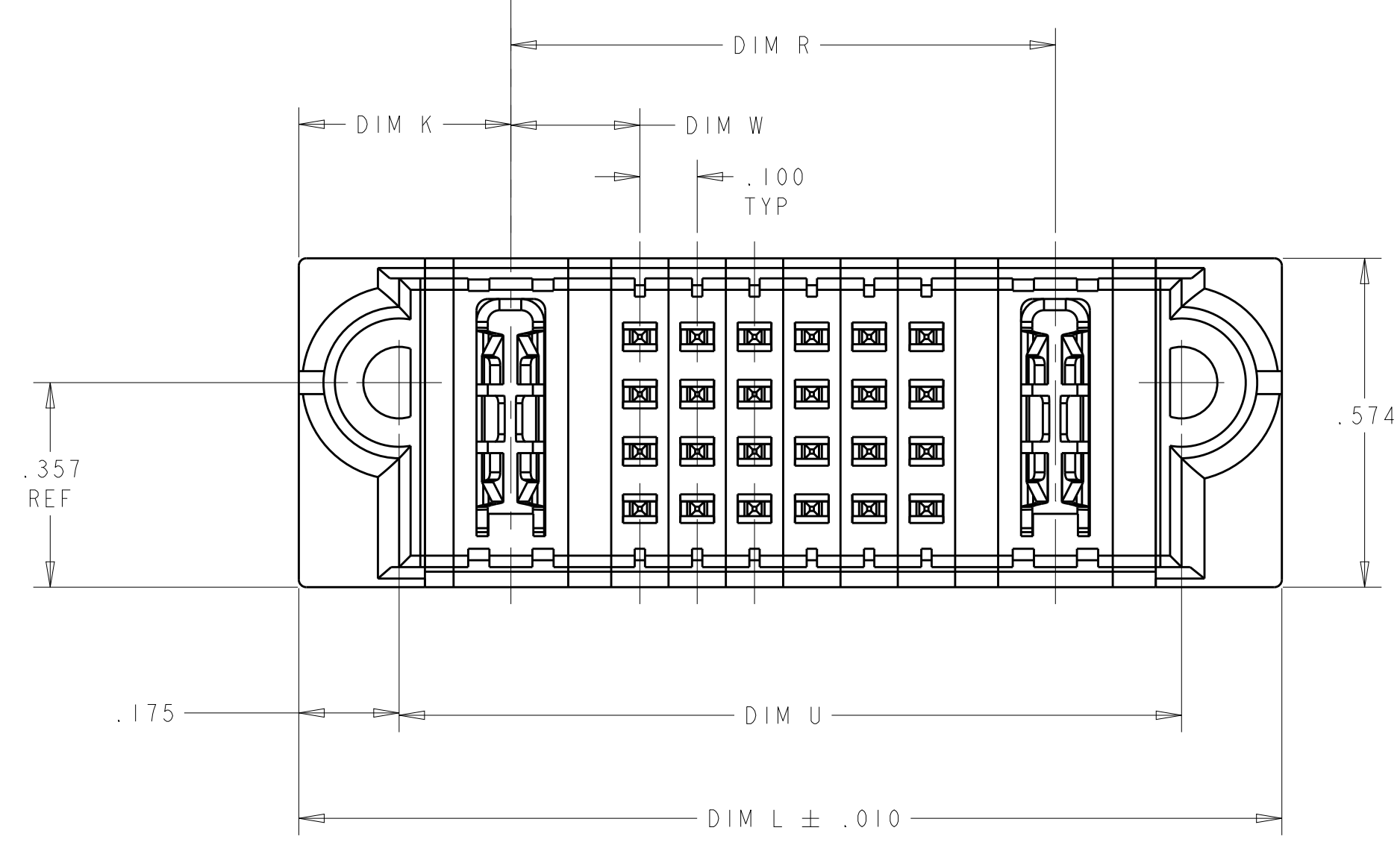
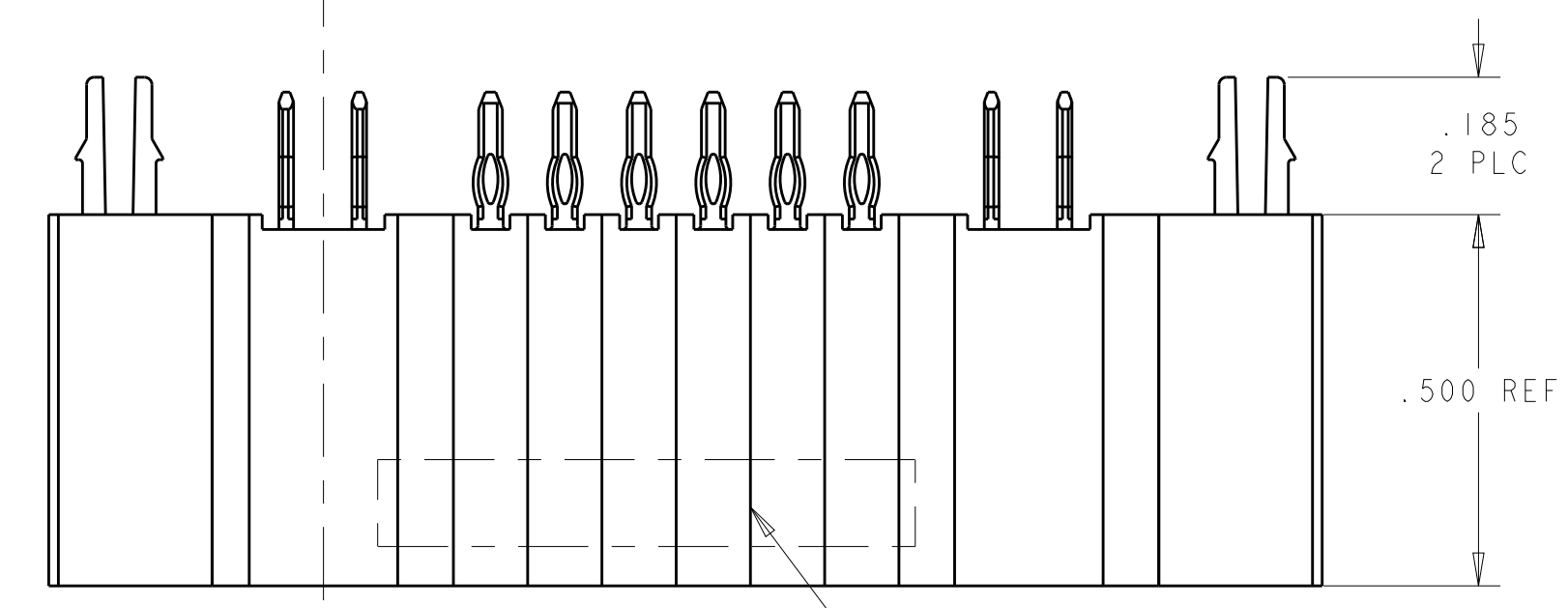
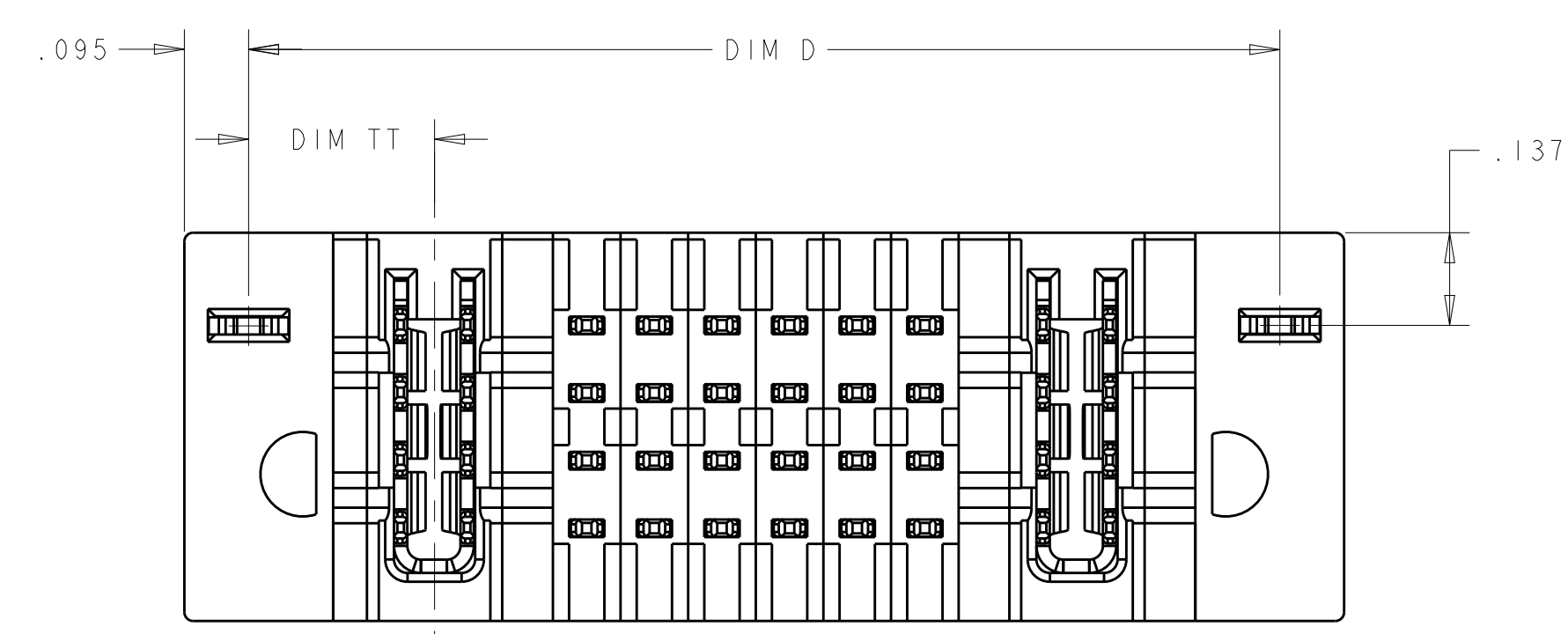
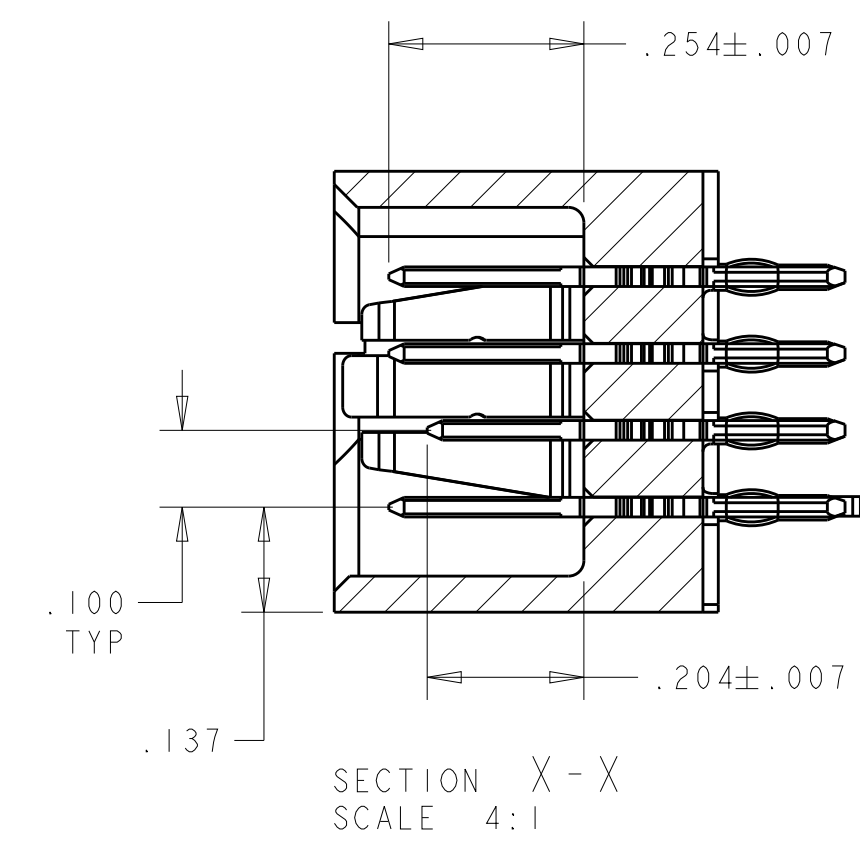


LOC	DIST	REVISIONS					
		P	LTN	DESCRIPTION	DATE	OWN	APVD
ES	00						
		G6		ADD NEW PART -25	19AUG2013	AY	SZ
		G7		UPDATE -25 MATING SEQUENCE	29AUG2013	AY	SZ
		G8		UPDATE -25 MATING SEQUENCE	30AUG2013	AY	SZ



- 1 HEADER HOUSING: THERMO PLASTIC, BLACK, UL94 V-O; CONTACTS AND RETENTION CLIPS: COPPER ALLOY.
- 2 CONTACT PLATING: NOBLE METAL PLATING ON CONTACT FUNCTIONAL AREA OF POWER AND SIGNAL CONTACTS
- 3 "AMP", PART NUMBER AND DATE CODE MARKED IN THIS AREA. PARTS UNDER 2.50 LONG MAY BE MARKED ON BOTH SIDES.
- 4 DATUM AND BASIC DIMENSIONS ESTABLISHED BY CUSTOMER.
- 5 PCB - ALL HOLE DIAMETERS ARE FINISHED HOLE SIZES.
- 6 A SEATING TOOL IS REQUIRED TO SEAT THE HEADER ON THE P.C. BOARD. PLEASE REFER TO THE 114-13251 APPLICATION SPEC.
- 7 MECHANICAL CONNECTOR KEEP OUT ZONE.
- 8 DETAIL DIM SEE PART VIEW
- 9 FOR THE CONFIGURATION WITH VENT, PLEASE REFER TO SHEET 2.
- 10 FOR THE CONFIGURATION LP/S/LP WITH VENT, PLEASE REFER TO SHEET 3.
- 11 FOR THE CONFIGURATION LP/S/P, WITH VENT, PLEASE REFER TO SHEET 4.



66	.240	.165	.1825	2.220	1.870	2.030	1.145	.7125	.2775	3LP + 16S + 4LP	2-6450820-5
	.200	-	.225	3.065	2.715	2.875	-	1.975	.320	10HDP + 24S	2-6450820-3
	.300	-	.275	1.790	1.440	1.600	-	1.150	.370	4ACP + 4S	2-6450820-2
	.115	.250	.2075	2.555	2.205	2.365	1.4075	.7325	.3025	6LP + 24S + 3P	2-6450820-1
	-	-	.1825	1.120	.770	.930	.565	.1575	.2775	1LP + 16S + 1LP	2-6450820-0
	.250	.250	.250	3.540	3.190	3.350	1.850	1.175	.345	5P + 24S + 5P	1-6450820-9
	.250	.250	.225	4.140	3.790	3.950	2.500	1.200	.320	5P + 48S + 5P	1-6450820-8
	.250	-	.225	4.640	4.290	4.450	-	2.950	.320	12P + 48S	1-6450820-7
	.250	-	.225	2.415	2.065	2.225	-	1.425	.320	6P + 20S	1-6450820-5
	-	.300	.175	2.665	2.315	2.475	.575	-	.270	20S + 6ACP	1-6450820-4
	.300	.300	.225	2.840	2.490	2.650	1.600	.850	.320	3ACP + 24S + 3ACP	1-6450820-3
	.250	.250	.250	4.040	3.690	3.850	2.100	1.425	.345	6P + 24S + 6P	1-6450820-1
63	.250	.250	.225	6.240	5.890	6.050	3.850	1.950	.320	8P + 72S + 8P	6450820-9
	.250	.250	.225	6.240	5.890	6.050	3.850	1.950	.320	8P + 72S + 8P	6450820-8
	8	8	.250	5.390	5.040	5.200	8	8	.345	14P + 40S	6450820-7
	8	8	.250	5.390	5.040	5.200	8	8	.345	14P + 40S	6450820-6
	.250	.250	.250	2.640	2.290	2.450	1.200	.925	.345	4P + 8S + 4P	6450820-5
	.250	.250	.250	3.640	3.290	3.450	1.700	1.425	.345	6P + 8S + 6P	6450820-4
	.250	.250	.275	2.790	2.440	2.600	1.550	.675	.370	3P + 32S + 3P	6450820-3
	-	-	.250	1.540	1.190	1.350	.850	.175	.345	1P + 24S + 1P	6450820-2
	-	-	.275	1.715	1.365	1.525	.950	.225	.370	1P + 24S + 1P	6450820-1
	DIM S	DIM T	DIM TT	DIM L	DIM U	DIM D	DIM R	DIM W	DIM K	DESCRIPTION	PART NUMBER

THIS DRAWING IS A CONTROLLED DOCUMENT. DWN: D. ZHU 15NOV2007
 CHK: S. ZHAO 15NOV2007

DIMENSIONS: INCHES. TOLERANCES UNLESS OTHERWISE SPECIFIED:
 0 PLC ±.01
 1 PLC ±.01
 2 PLC ±.01
 3 PLC ±.005
 4 PLC ±.005
 ANGLES ±.0020

MATERIAL: FINISH:

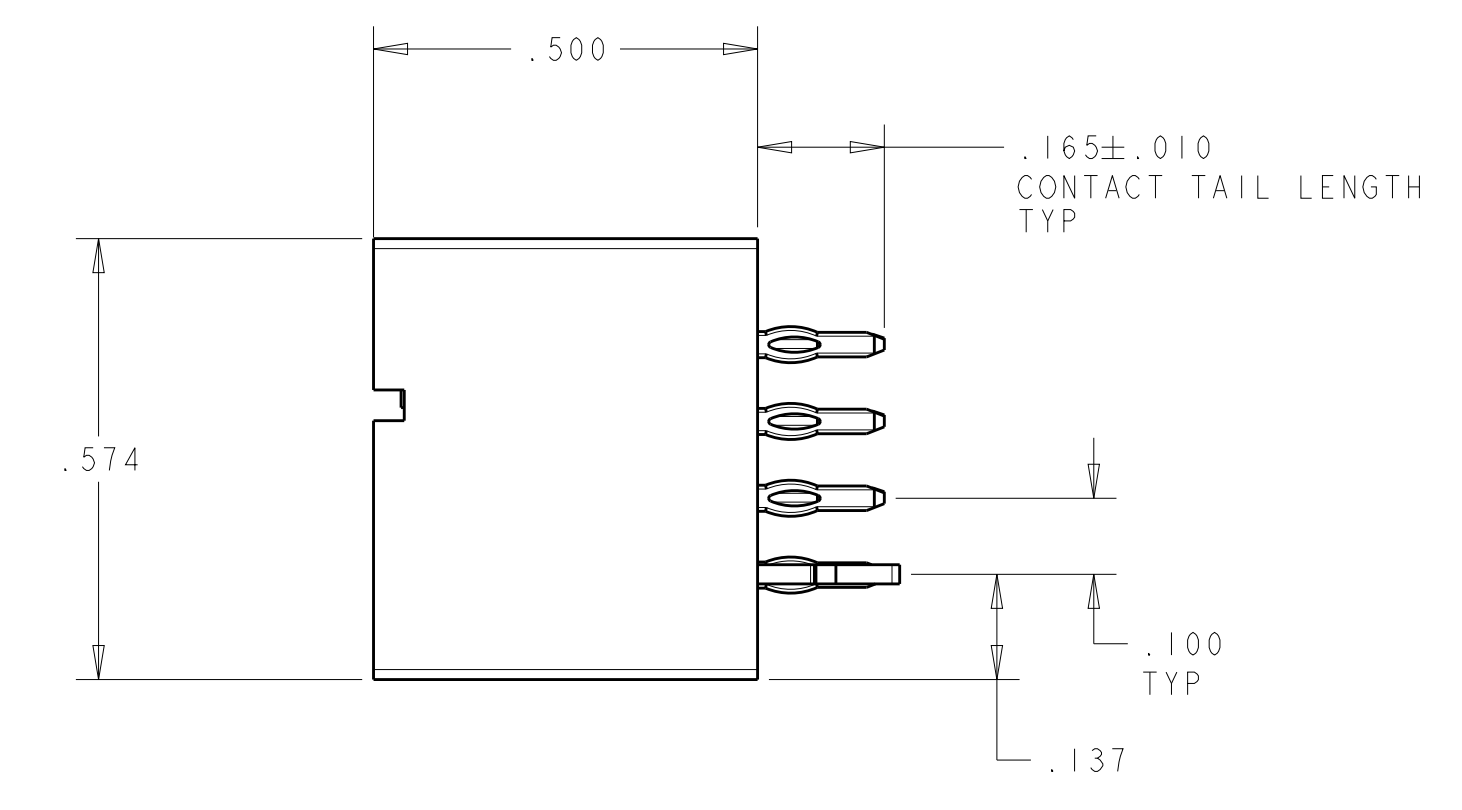
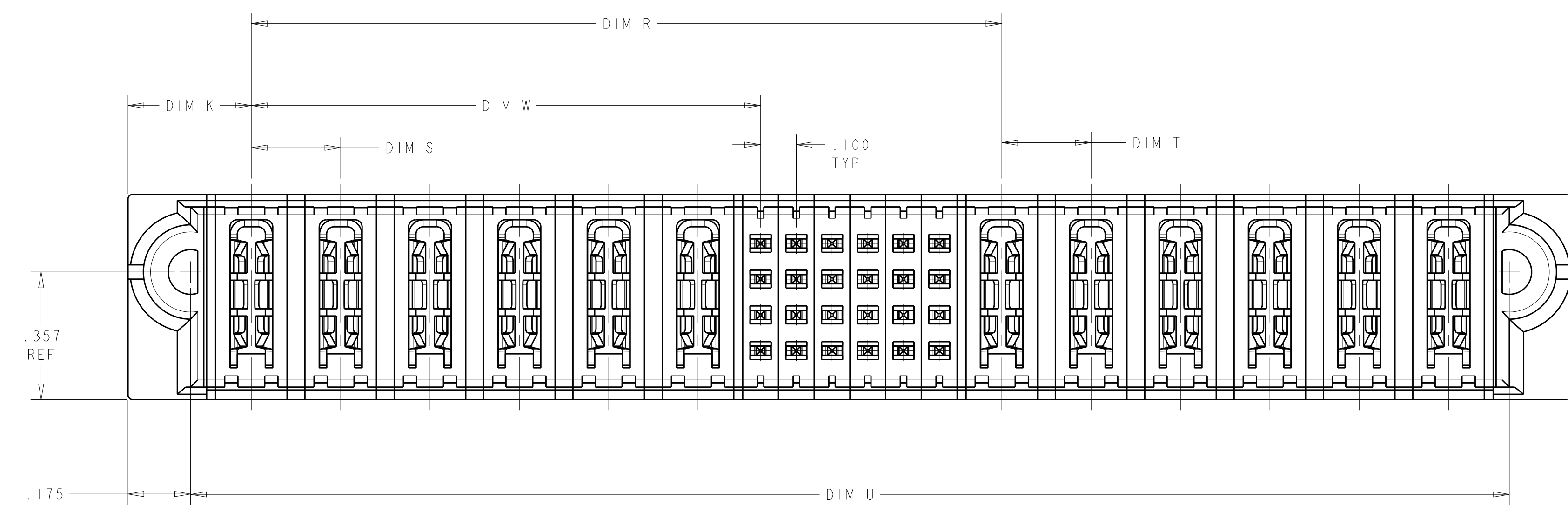
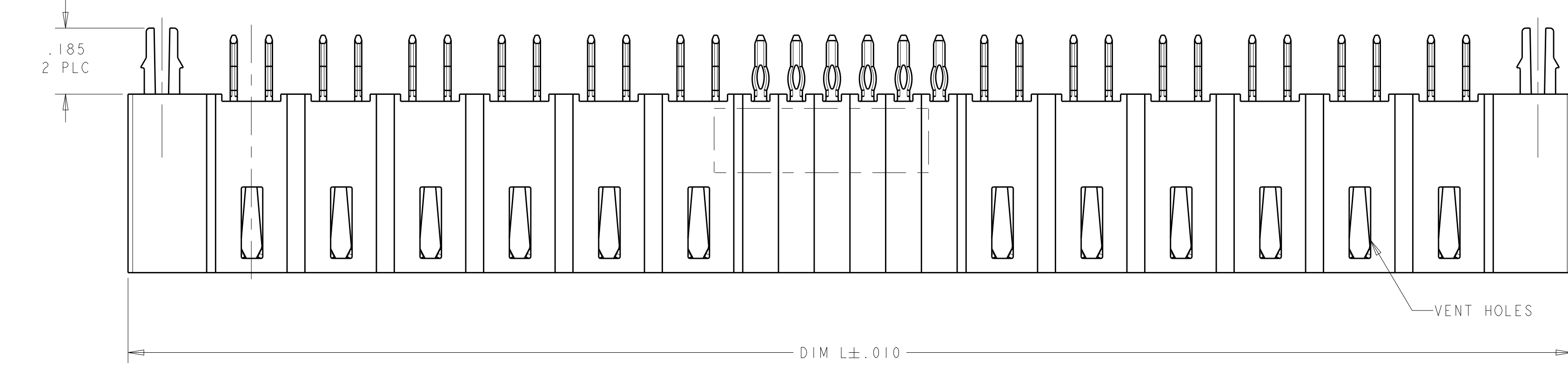
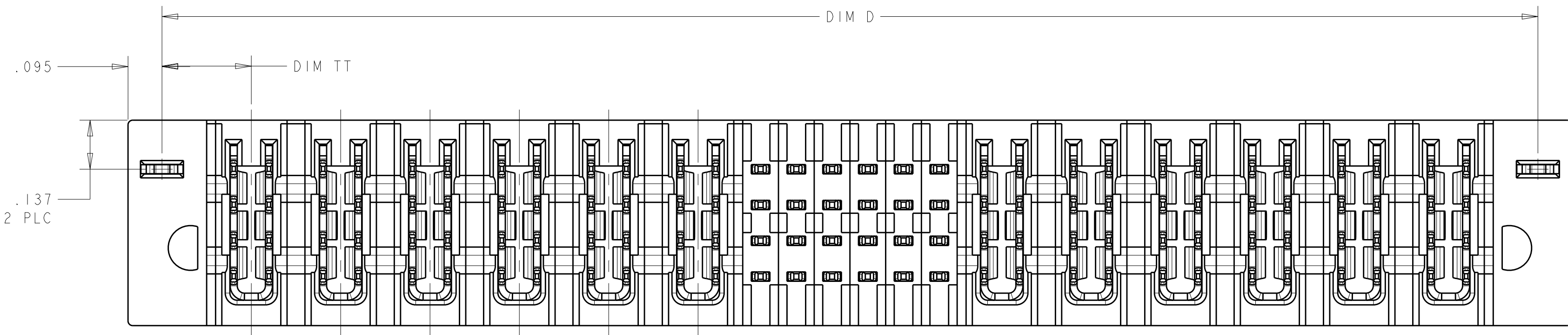
Customer Drawing

APVD: S. ZHAO
 PRODUCT SPEC: 108-2292
 APPLICATION SPEC: 114-13251
 WEIGHT: -

NAME: VERTICAL HEADER ASSEMBLY W/ SHORT END MODULES, PRESS FIT MULTI-BEAM XLE
 SIZE: A100779
 CAGE CODE: 6450820
 SHEET 1 OF 20
 REV: G8

TE Connectivity

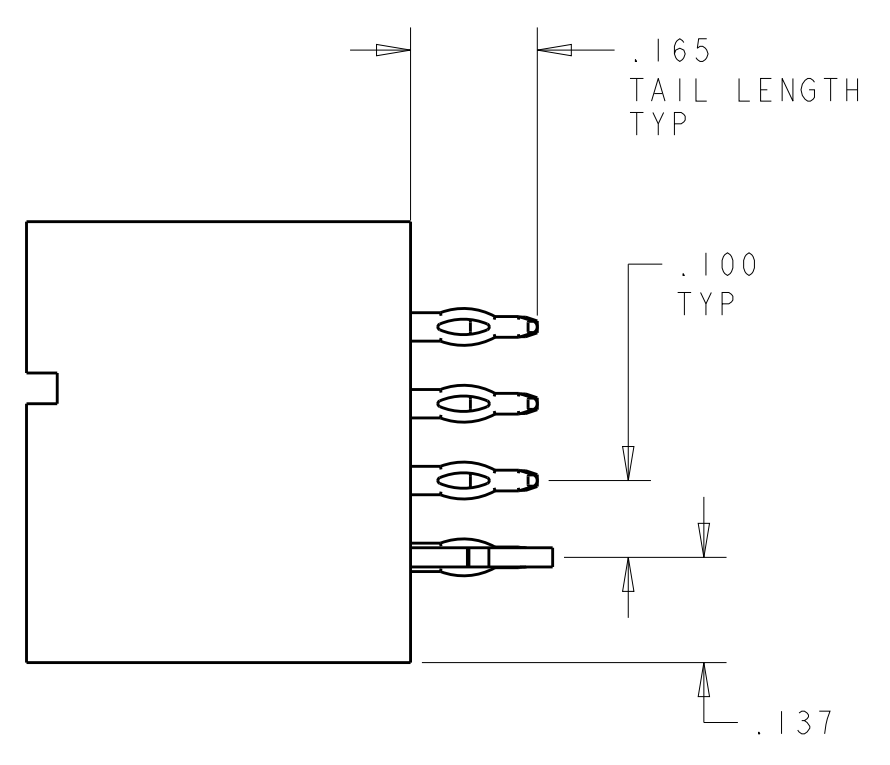
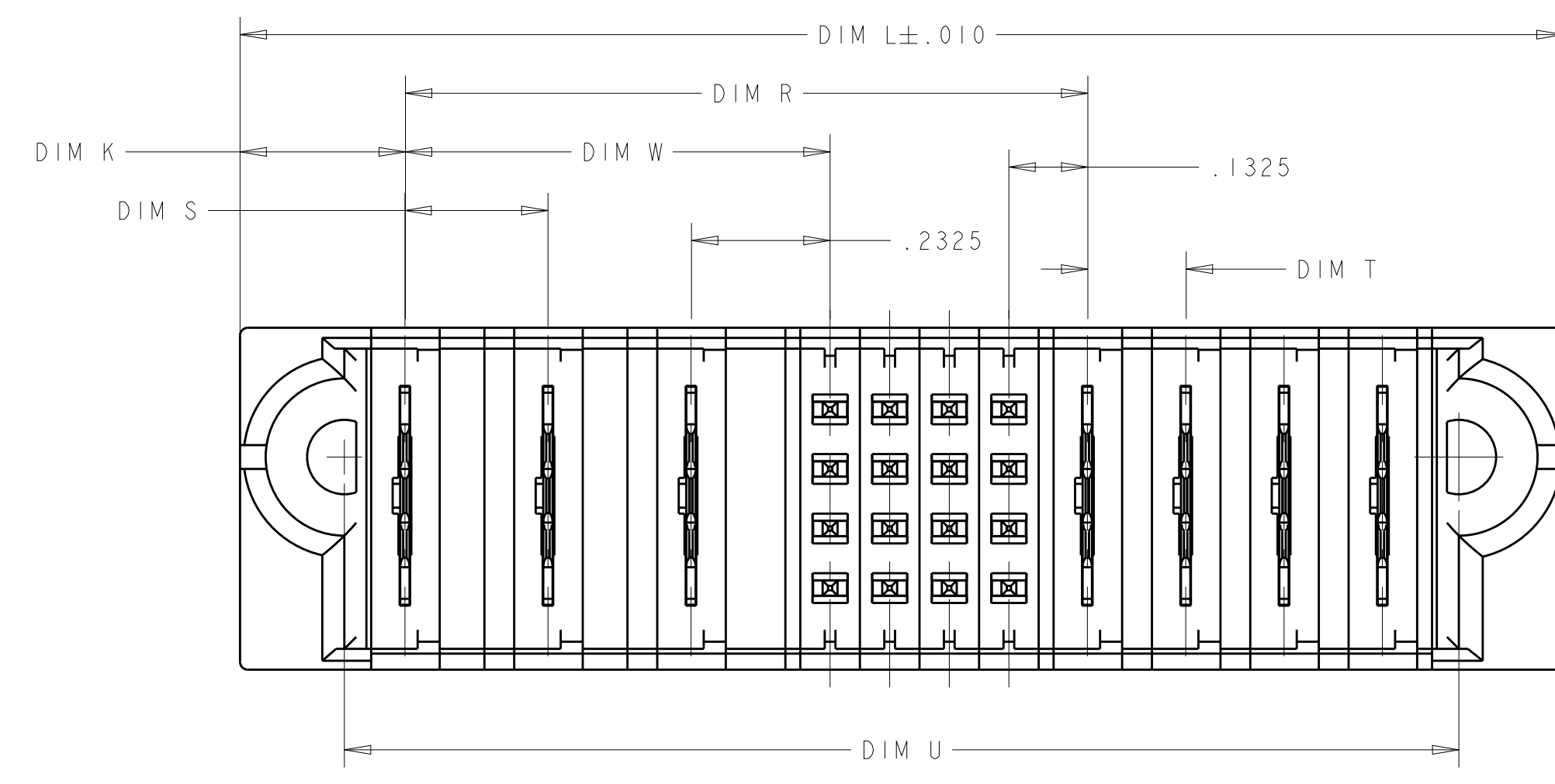
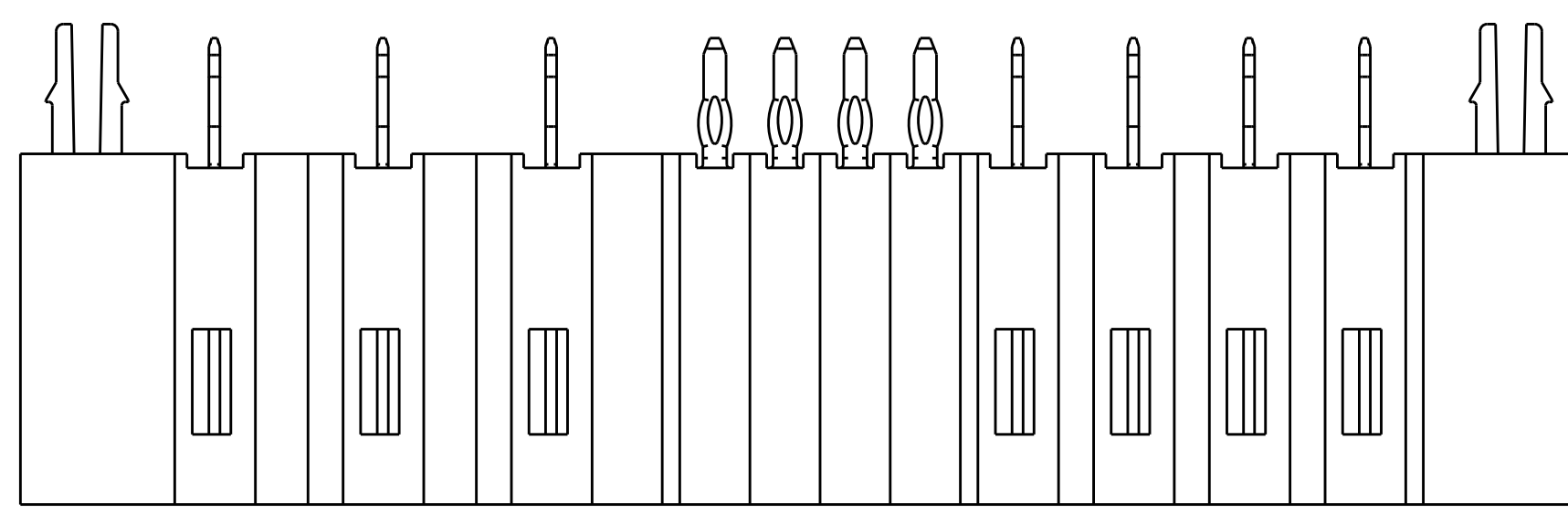
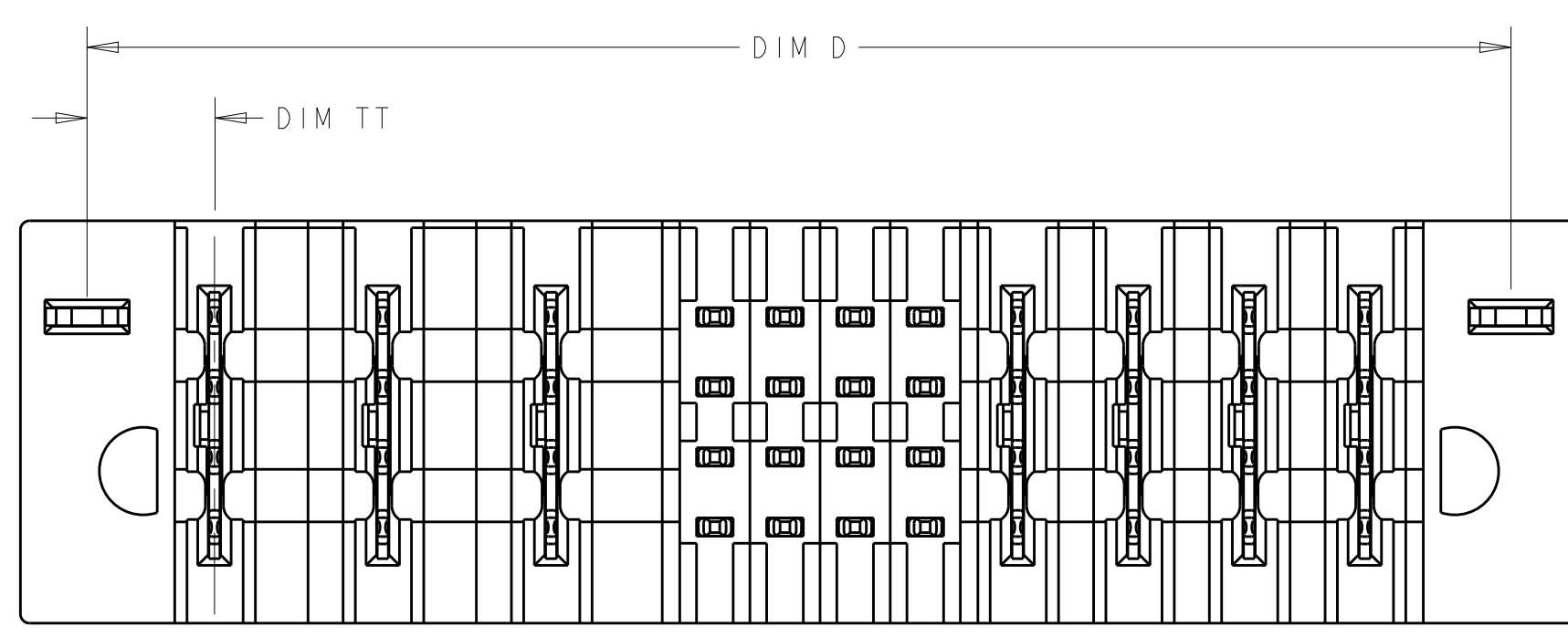
LOC		DIST		REVISIONS			
ES	00	P	LTH	DESCRIPTION	DATE	DMN	APVD
		-		SEE SHEET 1			


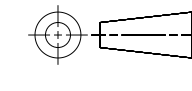


⚠ FOR THE CONFIGURATION WITH VENT PART NO. 1-6450820-1

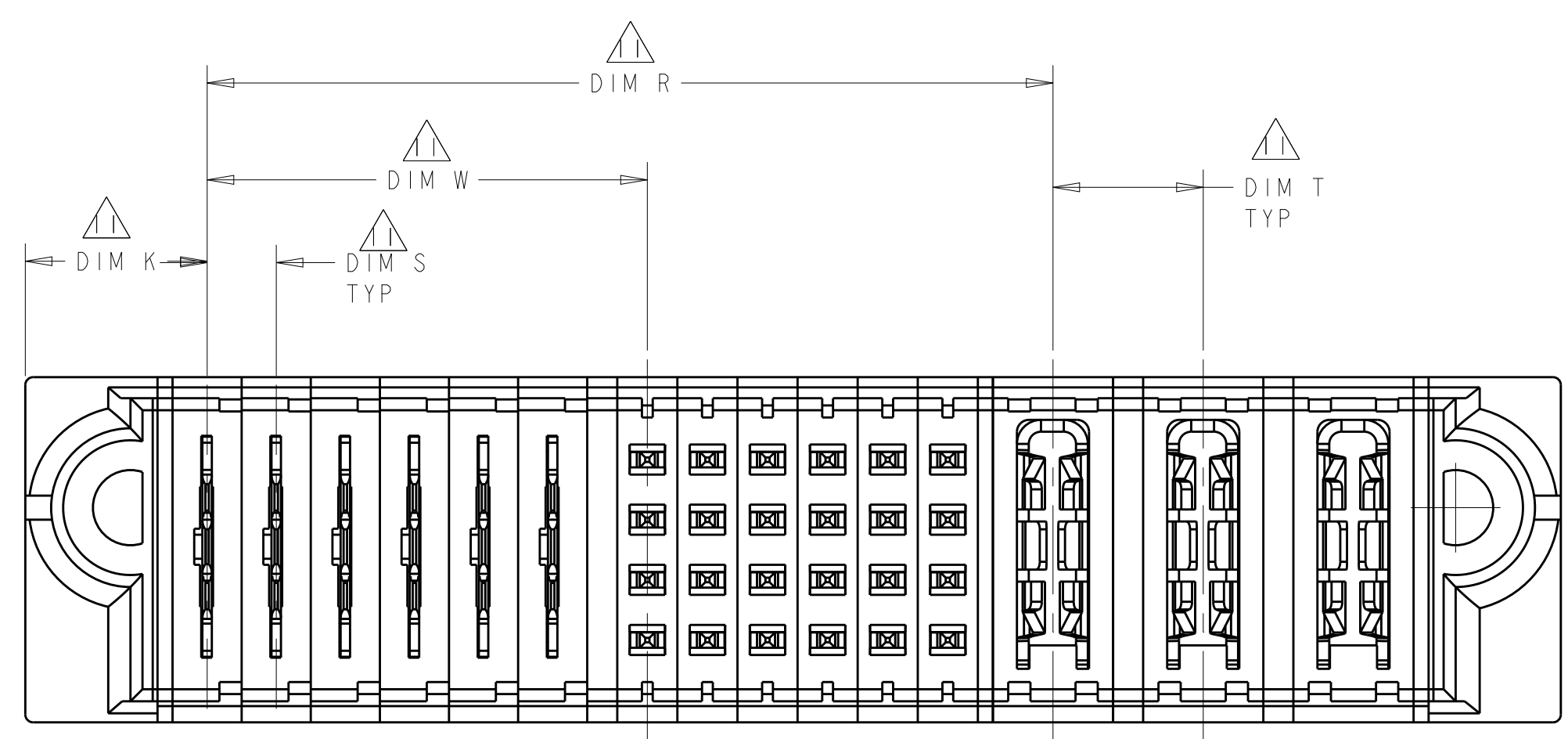
THIS DRAWING IS A CONTROLLED DOCUMENT.		DMN D. ZHU 15NOV2007	TE Connectivity
DIMENSIONS: INCHES		CHK S. ZHAO 15NOV2007	
		TOLERANCES UNLESS OTHERWISE SPECIFIED:	NAME VERTICAL HEADER ASSEMBLY W/ SHORT END MODULES, PRESS FIT MULTI-BEAM XLE
0 PLC ±. 1 PLC ±.01 2 PLC ±.01 3 PLC ±.005 4 PLC ±.0020 ANGLES ±.7°		APVD S. ZHAO	PRODUCT SPEC 108-2292
MATERIAL		FINISH	APPLICATION SPEC 114-13251
		WEIGHT	SIZE A100779
		Customer Drawing	CAGE CODE 6450820
		SCALE	RESTRICTED TO -
		SHEET 2 OF 20	REV G8

LOC	DIST	REVISIONS					
		P.	LTN	DESCRIPTION	DATE	DMN	APVD
ES	00	-	-	SEE SHEET 1	-	-	-



THIS DRAWING IS A CONTROLLED DOCUMENT.		DMN D. ZHU 15NOV2007	 TE Connectivity
DIMENSIONS: INCHES		CHK S. ZHAO 15NOV2007	
TOLERANCES UNLESS OTHERWISE SPECIFIED: 0 PLC ±. 1 PLC ±.01 2 PLC ±.01 3 PLC ±.005 4 PLC ±.0020 ANGLES ±7°		APVD S. ZHAO	NAME VERTICAL HEADER ASSEMBLY W/ SHORT END MODULES, PRESS FIT MULTI-BEAM XLE
		PRODUCT SPEC 108-2292	SIZE A100779
MATERIAL		APPLICATION SPEC 114-13251	CAGE CODE C=6450820
		WEIGHT	RESTRICTED TO
		Customer Drawing	SCALE - SHEET 3 OF 20 REV G8

LOC		DIST		REVISIONS			
ES	00	P	LTH	DESCRIPTION	DATE	DMN	APVD
-	-	-	-	SEE SHEET 1	-	-	-



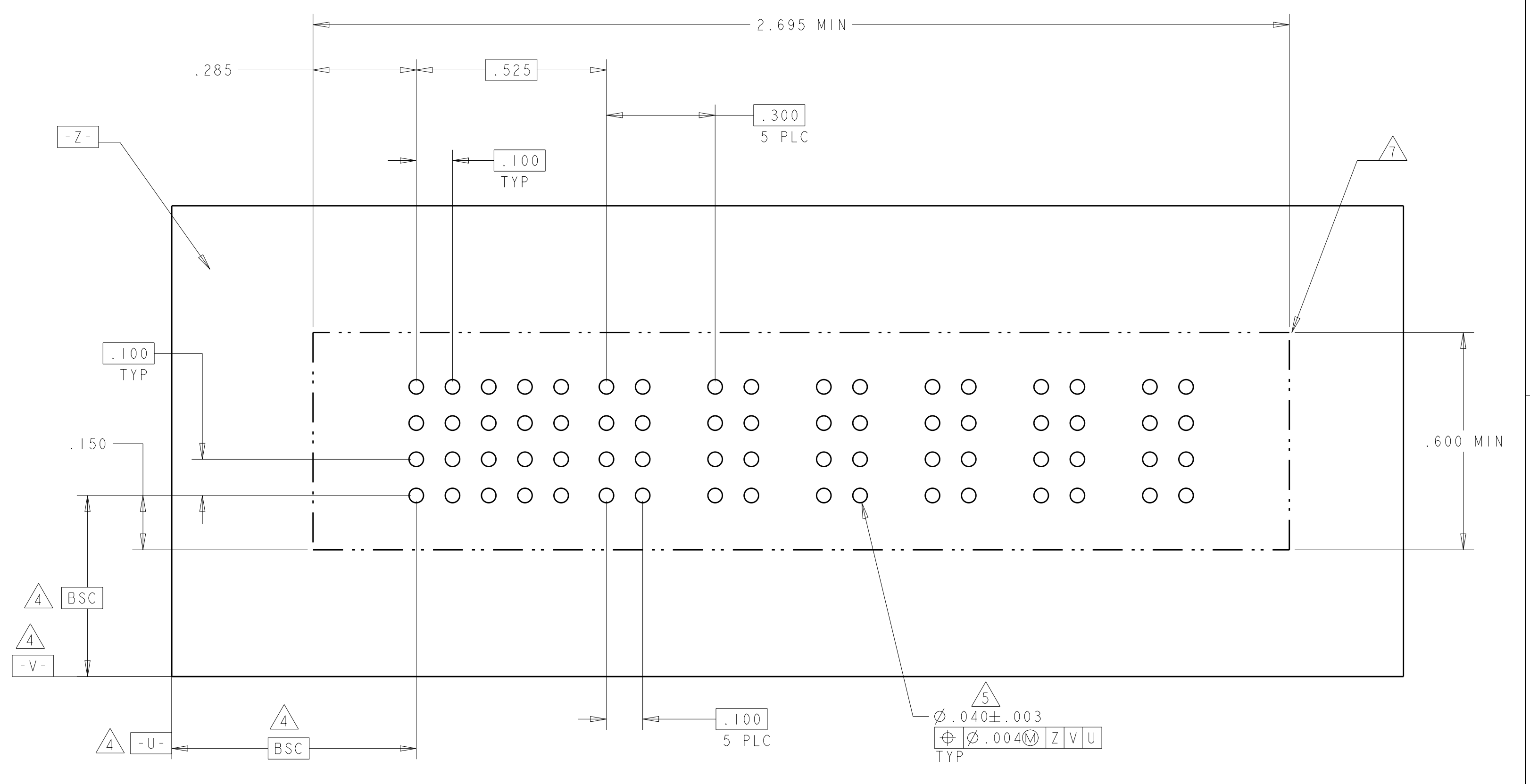
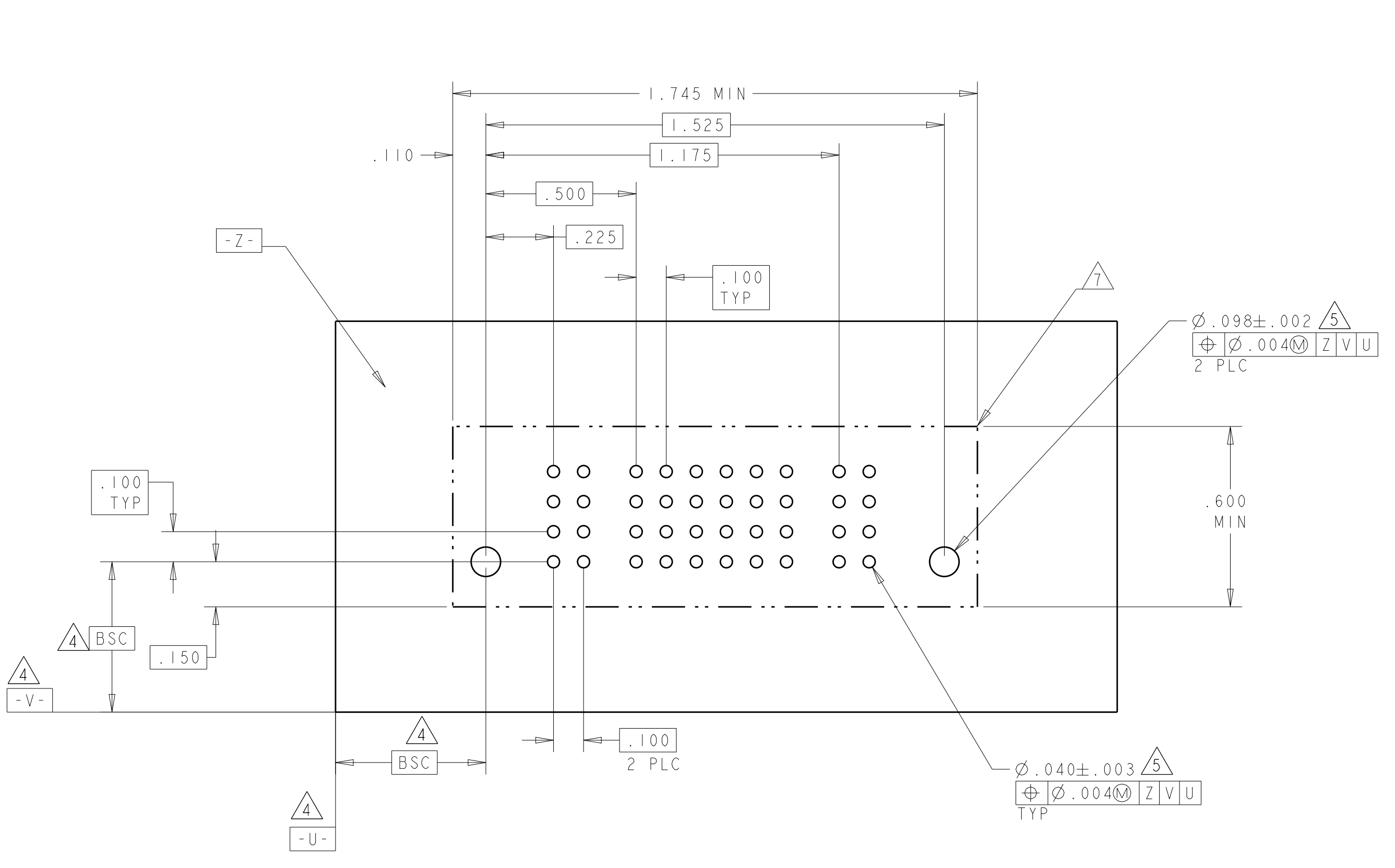
FOR THE CONFIGURATION LP/S/P WITH VENT
OTHER DIMSENSIONS PLEASE REFER TO SHEET 2

THIS DRAWING IS A CONTROLLED DOCUMENT.		DMN D. ZHU 15NOV2007	TE Connectivity
DIMENSIONS: INCHES		CHK S. ZHAO 15NOV2007	
TOLERANCES UNLESS OTHERWISE SPECIFIED: 0 PLC ±. 1 PLC ±.01 2 PLC ±.01 3 PLC ±.005 4 PLC ±.0020 ANGLES 114-132.51 FINISH		APVD S. ZHAO	NAME VERTICAL HEADER ASSEMBLY W/ SHORT END MODULES, PRESS FIT MULTI-BEAM XLE
MATERIAL		PRODUCT SPEC 108-2292	SIZE A100779
		APPLICATION SPEC 114-13251	DRAWING NO C=6450820
		WEIGHT	RESTRICTED TO
		Customer Drawing	SCALE - SHEET 4 OF 20 REV G8

LOC		DIST		REVISIONS			
ES	00	P	LTN	DESCRIPTION	DATE	DMN	APVD
		-		SEE SHEET 1			

PART NUMBER	ROWS	POWER	SIGNAL						POWER		
			P1	1	2	3	4	5		6	P2
6450820-1	D	VM	HD	EV	EV	EV	EV	EV	EV	VM	HD
	C			EV	EV	EV	EV	EV	EV		
	B			EV	EV	EV	ES	EV	EV		
	A			EV	EV	EV	EV	EV	EV		
IP + 24S + IP											

PART NUMBER	ROWS	POWER	SIGNAL					POWER									
			1	2	3	4	5	P1	P2	P3	P4	P5	P6				
I-6450820-4	D	VM	HD	EV	EV	EV	EV	EV	EV	VM	VM	VM	VM	VM	VM	VM	HD
	C			EV	EV	EV	EV	EV	VM	VM	VM	VM	VM				
	B			EV	EV	EV	EV	EV	VM	VM	VM	VM	VM				
	A			ES	EV	EV	EV	EV	VM	VM	VM	VM	VM				
20S + 6ACP																	



.165"	LOW POWER CONTACT MFBL	LZF
.165"	LOW POWER CONTACT	LZ
.165"	SIGNAL CONTACT MFBL	EF
-	HOLD DOWN	HD
.165"	SIGNAL CONTACT MLBF	ES
.165"	SIGNAL CONTACT STD	EV
.165"	POWER CONTACT	VM
TAIL LENGTH	DESCRIPTION	CODE

THIS DRAWING IS A CONTROLLED DOCUMENT.

DIMENSIONS:	TOLERANCES UNLESS OTHERWISE SPECIFIED:	DMN	15NOV2007
INCHES	0 PLC ±	CHK	D. ZHU
	1 PLC ±.01	CHK	S. ZHAO
	2 PLC ±.01	APVD	S. ZHAO
	3 PLC ±.005	PRODUCT SPEC	
	4 PLC ±.0020	APPLICATION SPEC	108-2292
	ANGLES ±.020	114-13251	
MATERIAL	FINISH	WEIGHT	114-13251

Customer Drawing

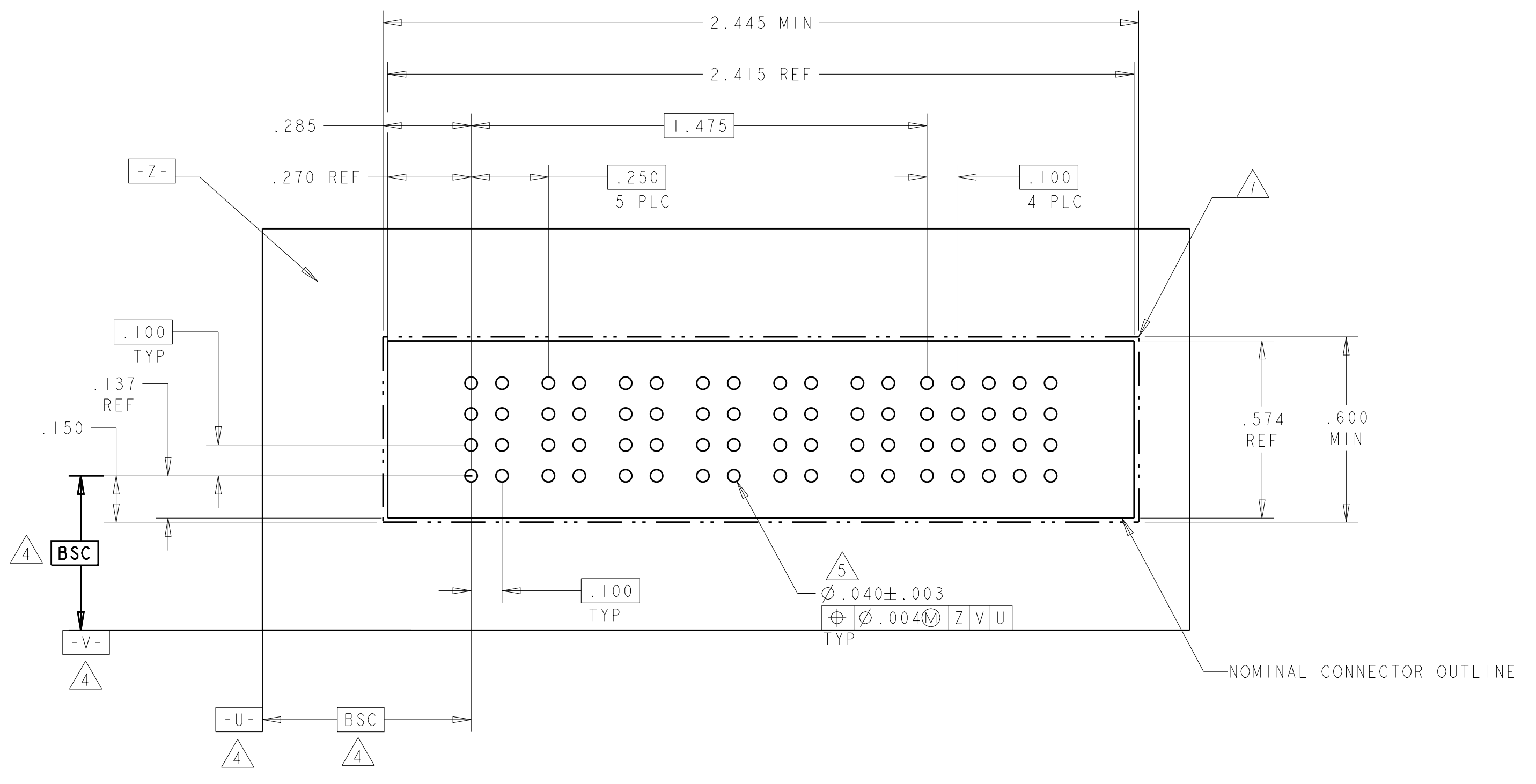
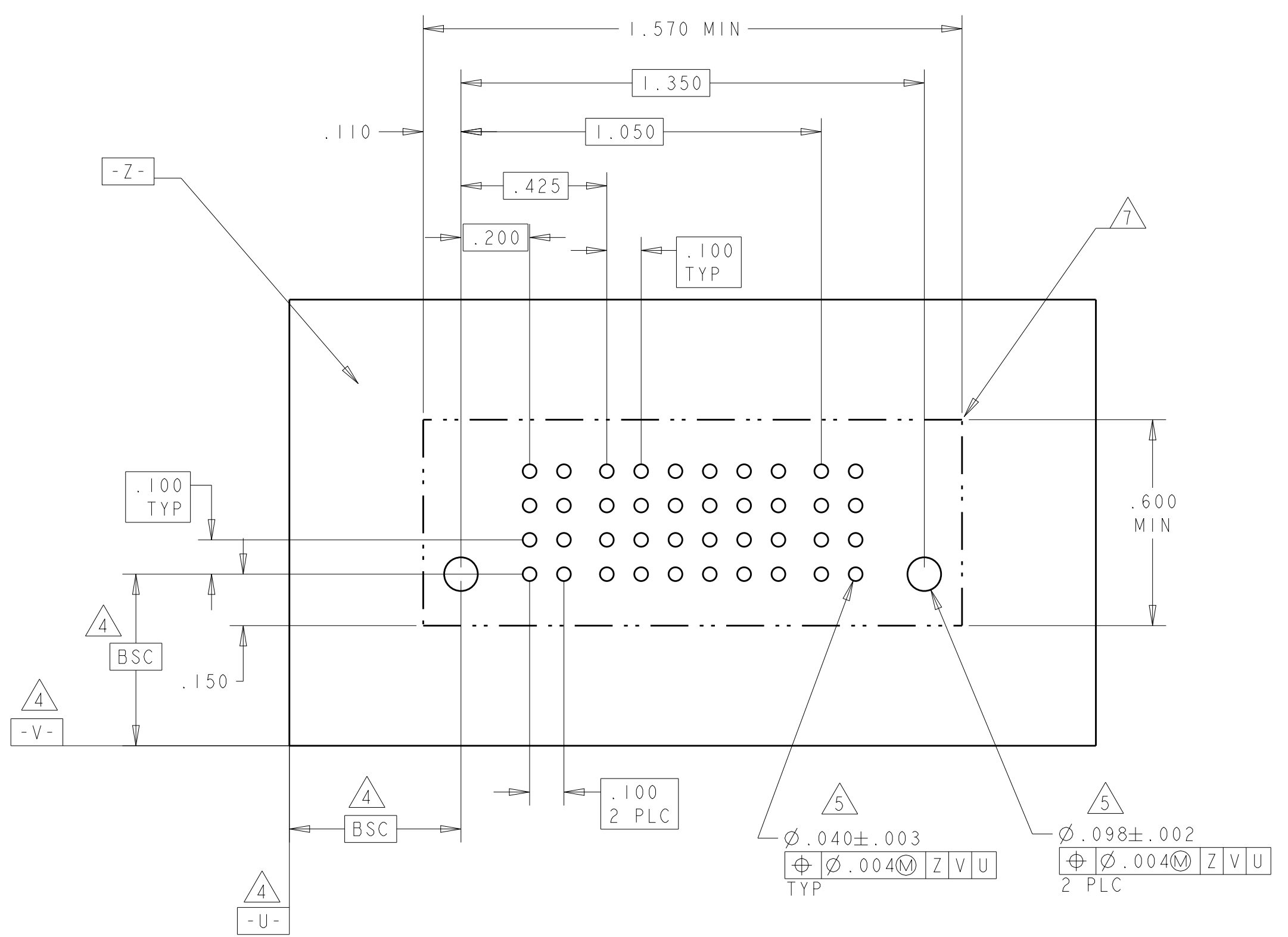
SCALE - SHEET 5 OF 20 REV G8

NAME: VERTICAL HEADER ASSEMBLY W/ SHORT END MODULES, PRESS FIT MULTI-BEAM XLE

SIZE: A100779 C=6450820

PART NUMBER	ROWS	POWER	SIGNAL						POWER		
			P1	1	2	3	4	5		6	P2
6450820-2	D	VM	HD	EV	EV	EV	EV	EV	EV	VM	HD
	C			EV	EV	EV	EV	EV	EV		
	B			EV	EV	EV	ES	EV	EV		
	A			EV	EV	EV	EV	EV	EV		
IP + 24S + IP											

PART NUMBER	ROWS	POWER						SIGNAL					
		P1	P2	P3	P4	P5	P6	1	2	3	4	5	
1-6450820-5	D	VM	VM	VM	VM	VM	VM	EV	EV	EV	EV	EV	HD
	C							EV	EV	EV	EV	EV	
	B							EV	ES	EV	EV	EV	
	A							EV	EV	EV	EV	EV	
6P + 20S													

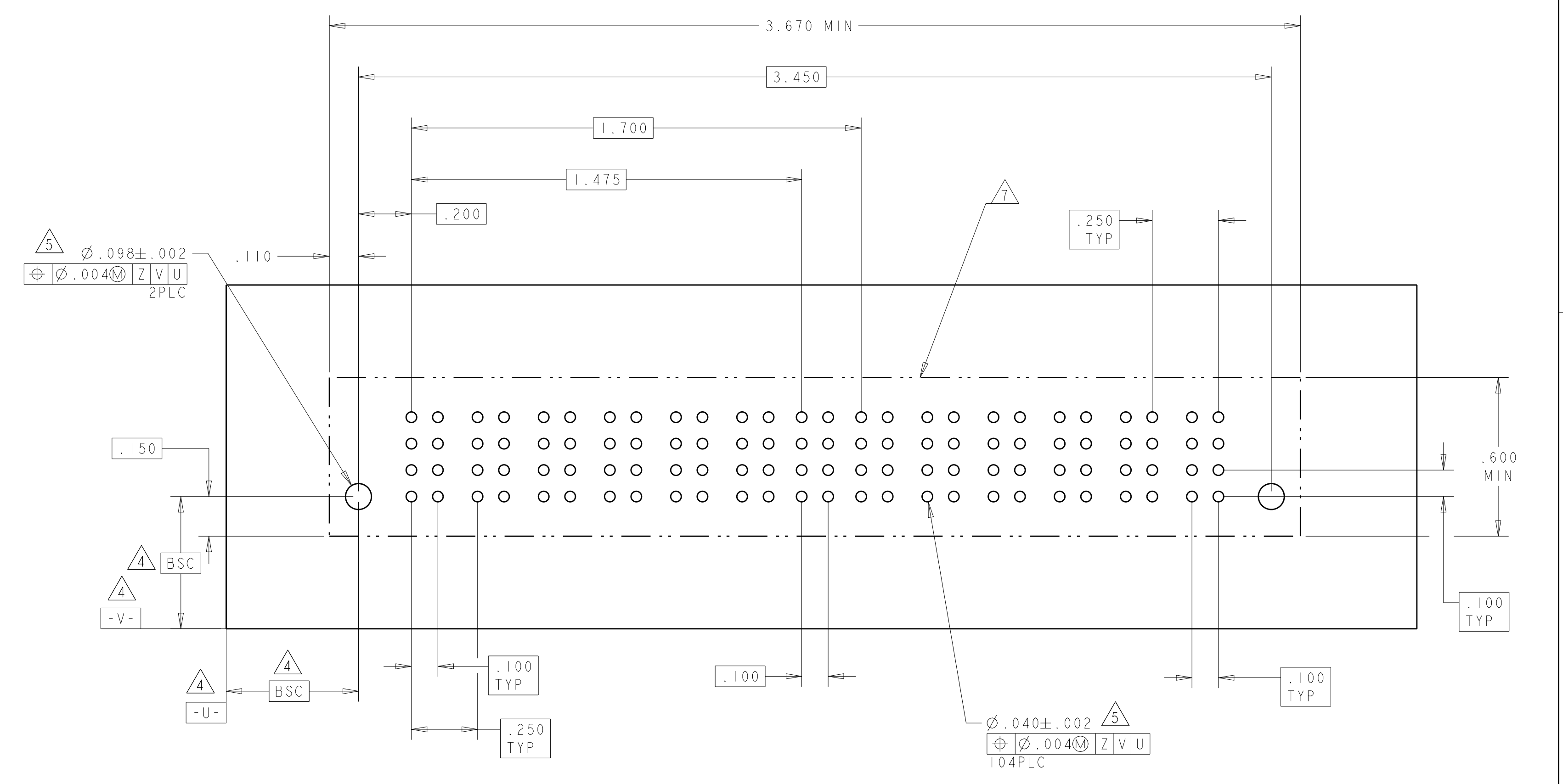
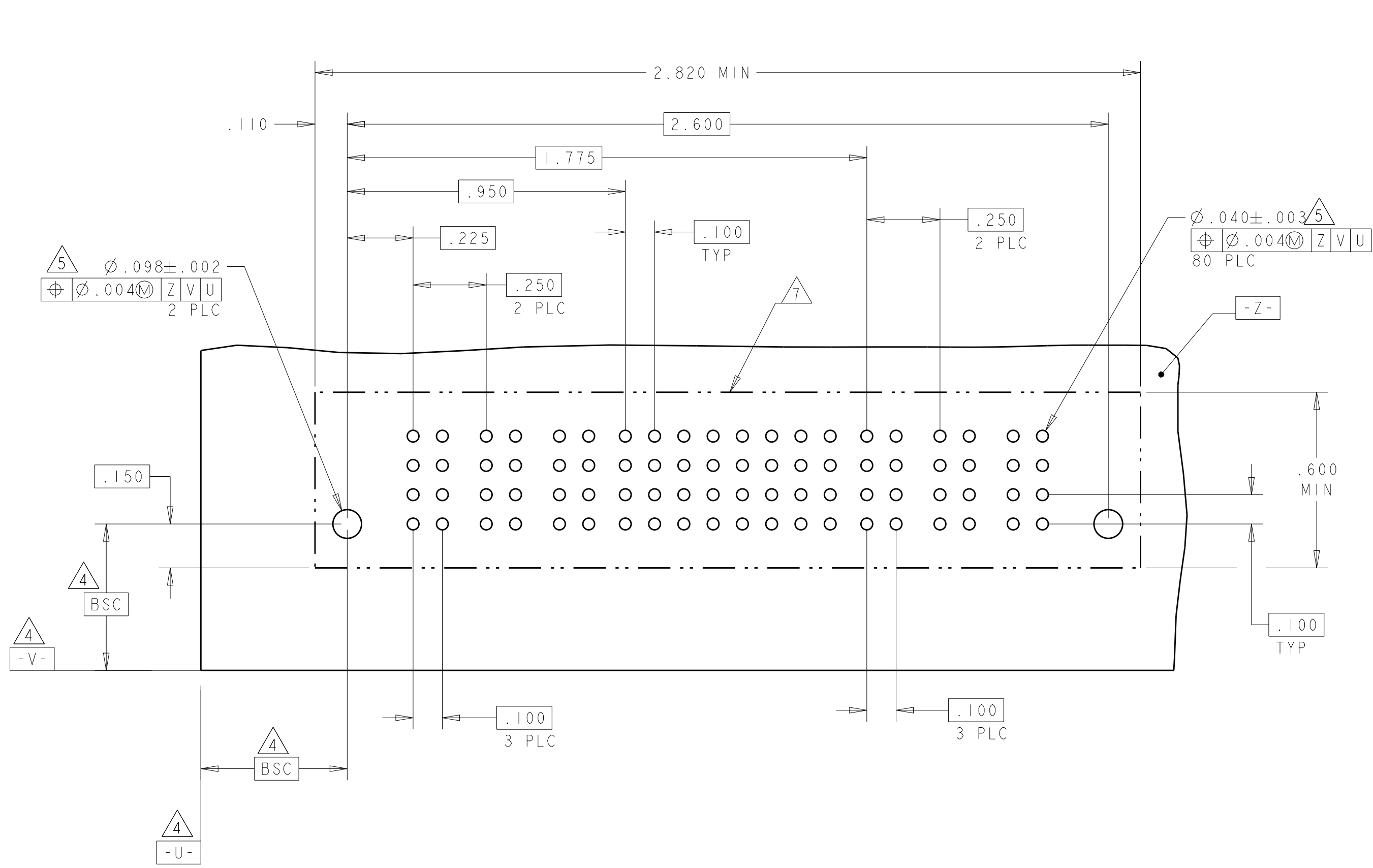


THIS DRAWING IS A CONTROLLED DOCUMENT.		DNW: D. ZHU 15NOV2007	TE Connectivity
DIMENSIONS: INCHES		CHK: S. ZHAO 15NOV2007	
TOLERANCES UNLESS OTHERWISE SPECIFIED:		APVD: S. ZHAO	NAME: VERTICAL HEADER ASSEMBLY W/ SHORT END MODULES, PRESS FIT MULTI-BEAM XLE
0 PLC ±. 1 PLC ±.01 2 PLC ±.01 3 PLC ±.005 4 PLC ±.002 ANGLES ±.020		PRODUCT SPEC: 108-2292	SIZE: A100779
MATERIAL: -		APPLICATION SPEC: 114-13251	DRAWING NO: C=6450820
FINISH: -		WEIGHT: -	Customer Drawing
SCALE: -			SHEET 6 OF 20 REV: G8

LOC	DIST	REVISIONS			
P	LTN	DESCRIPTION	DATE	DMN	APVD
-	-	SEE SHEET 1	-	-	-

PART NUMBER	ROWS	POWER			SIGNAL								POWER							
		P1	P2	P3	1	2	3	4	5	6	7	8	P4	P5	P6					
6450820-3	D C B A	VM	VM	VM	EV	EV	EV	EV	EV	EV	EV	EV	EV	EV	VM	VM	VM			
					EV	EV	EV	EV	EV	EV	EV	EV	EV	EV	EV	EV	EV	EV	EV	
					EV	EV	EV	EV	EV	EV	EV	EV	EV	EV	EV	EV	EV	EV	EV	EV
					EV	EV	EV	EV	EV	EV	EV	EV	EV	EV	EV	EV	EV	EV	EV	EV
3P + 32S + 3P																				

PART NUMBER	ROWS	POWER						SIGNAL		POWER					
		P1	P2	P3	P4	P5	P6	1	2	P7	P8	P9	P10	P11	P12
6450820-4	D C B A	VM	VM	VM	VM	VM	VM	EV	EV	VM	VM	VM	VM	VM	
								EV	EV	VM	VM	VM	VM	VM	
								EV	EV	VM	VM	VM	VM	VM	
								EV	EV	VM	VM	VM	VM	VM	
6P + 8S + 6P															



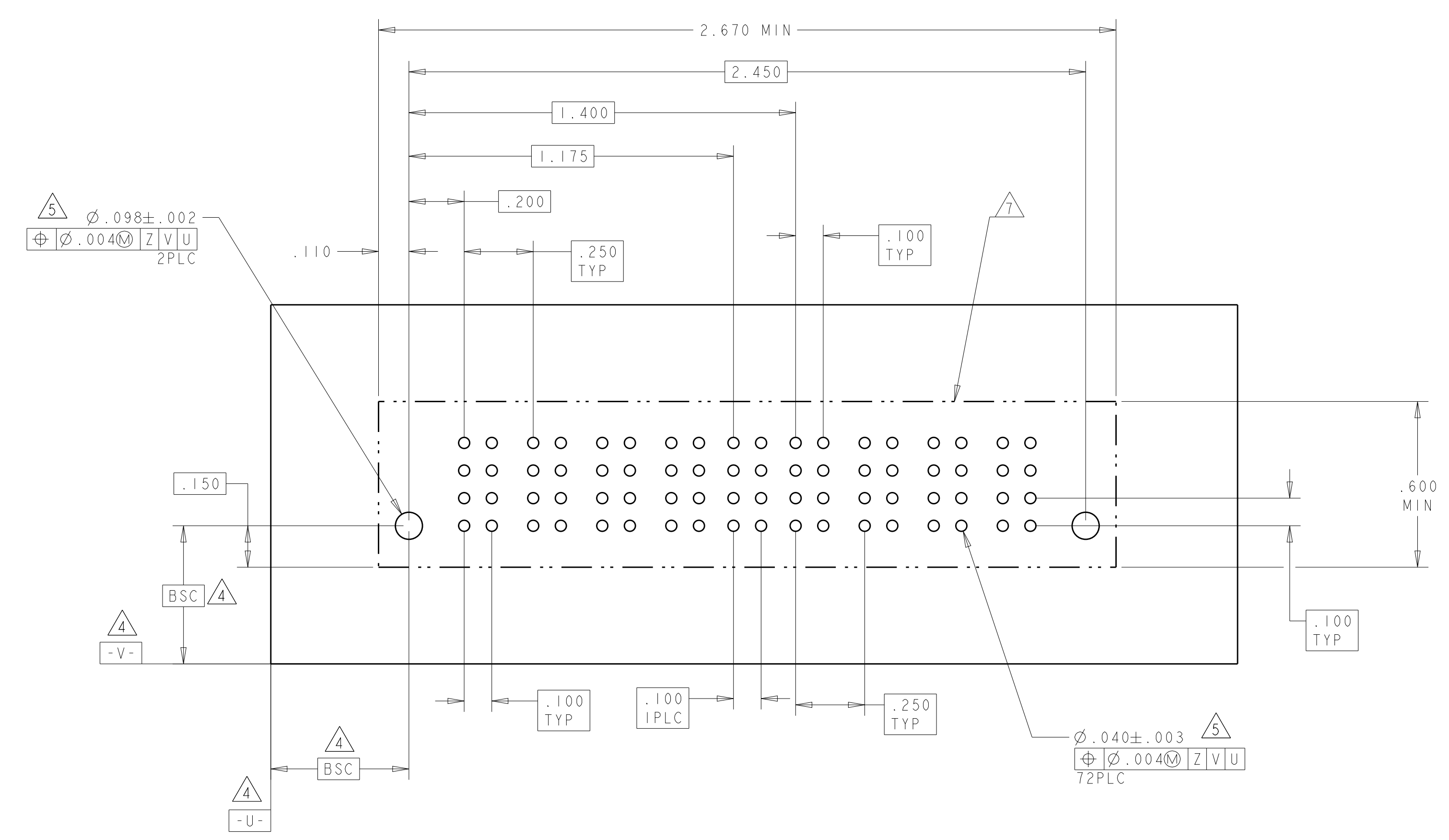
THIS DRAWING IS A CONTROLLED DOCUMENT.

DIMENSIONS: INCHES	TOLERANCES UNLESS OTHERWISE SPECIFIED: 0 PLC ±. 1 PLC ±.01 2 PLC ±.01 3 PLC ±.005 4 PLC ±.0020 ANGLES ±.02	DMN D.ZHU 15NOV2007 CHK S.ZHAO 15NOV2007 APVD S.ZHAO PRODUCT SPEC 108-2292 APPLICATION SPEC 114-13251 WEIGHT Customer Drawing	NAME VERTICAL HEADER ASSEMBLY W/ SHORT END MODULES, PRESS FIT MULTI-BEAM XLE SIZE CAGE CODE DRAWING NO A100779 C=6450820 RESTRICTED TO
-----------------------	--	---	--

SCALE - SHEET 7 OF 20 REV G8

LOC	DIST	REVISIONS			
P	LTN	DESCRIPTION	DATE	DMN	APVD
-	-	SEE SHEET 1	-	-	-

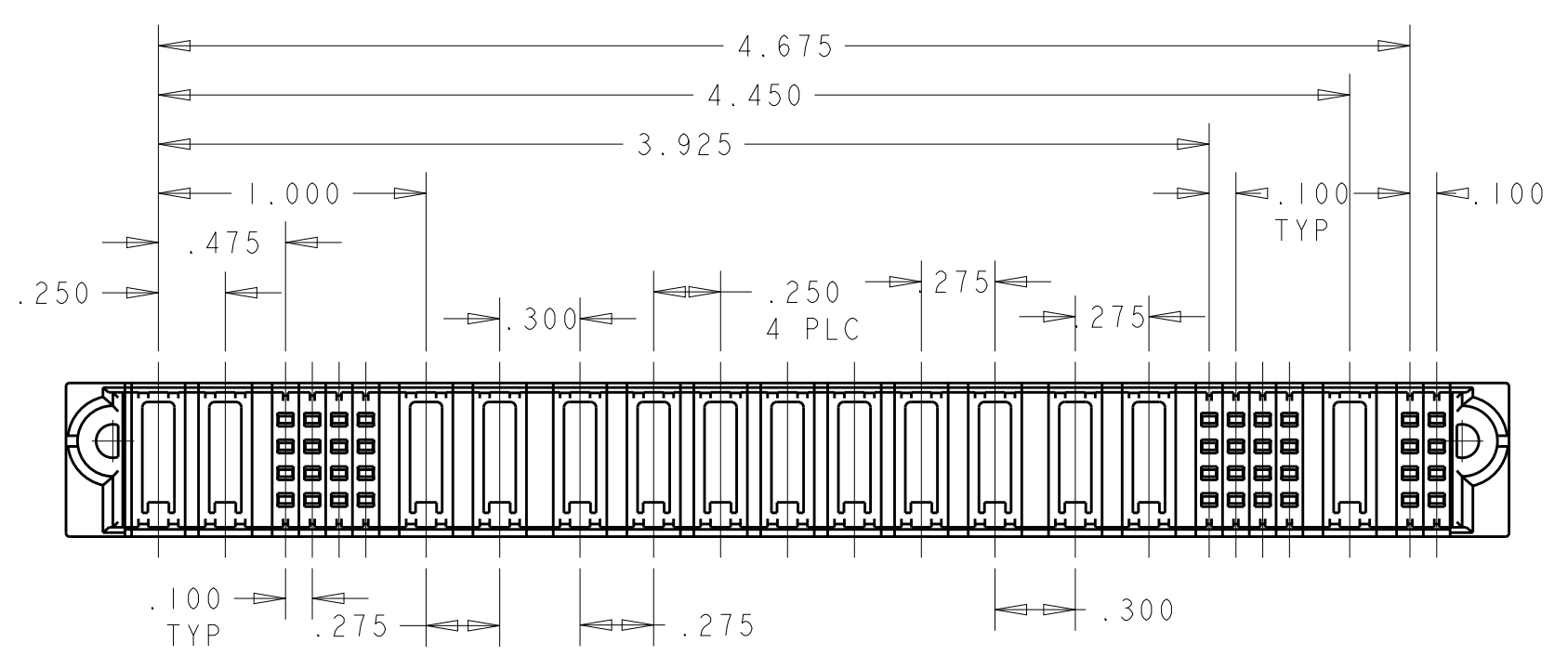
PART NUMBER	ROWS	HD	POWER				SIGNAL		POWER				HD
			P1	P2	P3	P4	1	2	P5	P6	P7	P8	
6450820-5	D C B A	HD	VM	VM	VM	VM	EV	EV	VM	VM	VM	VM	HD
4P + 8S + 4P													



THIS DRAWING IS A CONTROLLED DOCUMENT.		DMN D. ZHU 15NOV2007	TE Connectivity
DIMENSIONS: INCHES		CHK S. ZHAO 15NOV2007	
		APVD S. ZHAO	NAME VERTICAL HEADER ASSEMBLY W/ SHORT END MODULES, PRESS FIT MULTI-BEAM XLE
TOLERANCES UNLESS OTHERWISE SPECIFIED:		PRODUCT SPEC	SIZE A100779
0 PLC ±		108-2292	CAGE CODE 6450820
2 PLC ±.01		APPLICATION SPEC	RESTRICTED TO
3 PLC ±.005		114-13251	
4 PLC ±.0020		WEIGHT	
ANGLES ±2°		Customer Drawing	SCALE - SHEET 8 OF 20 REV G8
MATERIAL			

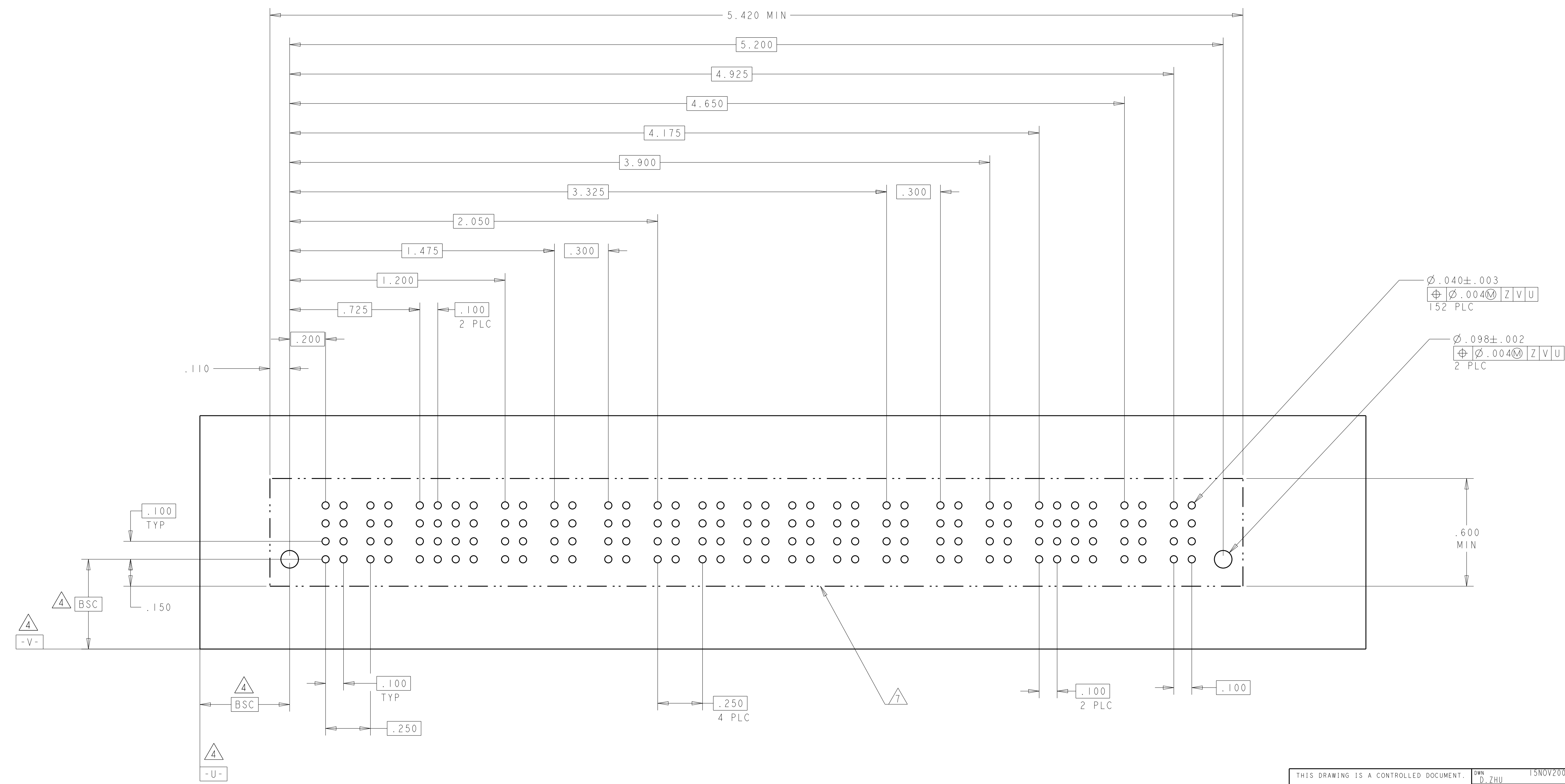
LOC		DIST		REVISIONS			
ES	00	P	LTM	DESCRIPTION	DATE	OWN	APVD
				SEE SHEET 1			

PART NUMBER	ROWS	POWER		SIGNAL				POWER								SIGNAL				POWER	SIGNAL										
		P1	P2	1	2	3	4	P3	P4	P5	P6	P7	P8	P9	P10	P11	P12	P13	5	6	7	8	P14	9	10						
6450820-6	D C B A	VM		EV	EV	EV	EV		VM	VM		VM	VM		VM	VM		VM	VM	VM	VM	VM	VM	ES	ES						
		2P+16S+1P+2ACP+5P+2ACP+1P+16S+1P+8S																													



SCALE 3:2
6450820-6

NO CONTACTS LOADED




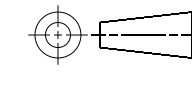
THIS DRAWING IS A CONTROLLED DOCUMENT.		DWN: D.ZHU 15NOV2007	TE Connectivity
DIMENSIONS: INCHES		CHK: S.ZHAO 15NOV2007	
TOLERANCES UNLESS OTHERWISE SPECIFIED:		APVD: S.ZHAO	
0 PLC ±.01 1 PLC ±.01 2 PLC ±.01 3 PLC ±.005 4 PLC ±.002 ANGLES ±.020		NAME: VERTICAL HEADER ASSEMBLY W/ SHORT END MODULES, PRESS FIT MULTI-BEAM XLE PRODUCT SPEC: 108-2292 APPLICATION SPEC: 114-13251 WEIGHT: - Customer Drawing	
MATERIAL: -	FINISH: -	SIZE: A100779	DRAWING NO: C=6450820 SCALE: - SHEET 9 OF 20 REV: G8

LOC	DIST	REVISIONS			
P	LTN	DESCRIPTION	DATE	DMN	APVD
ES	00	- SEE SHEET 1	-	-	-

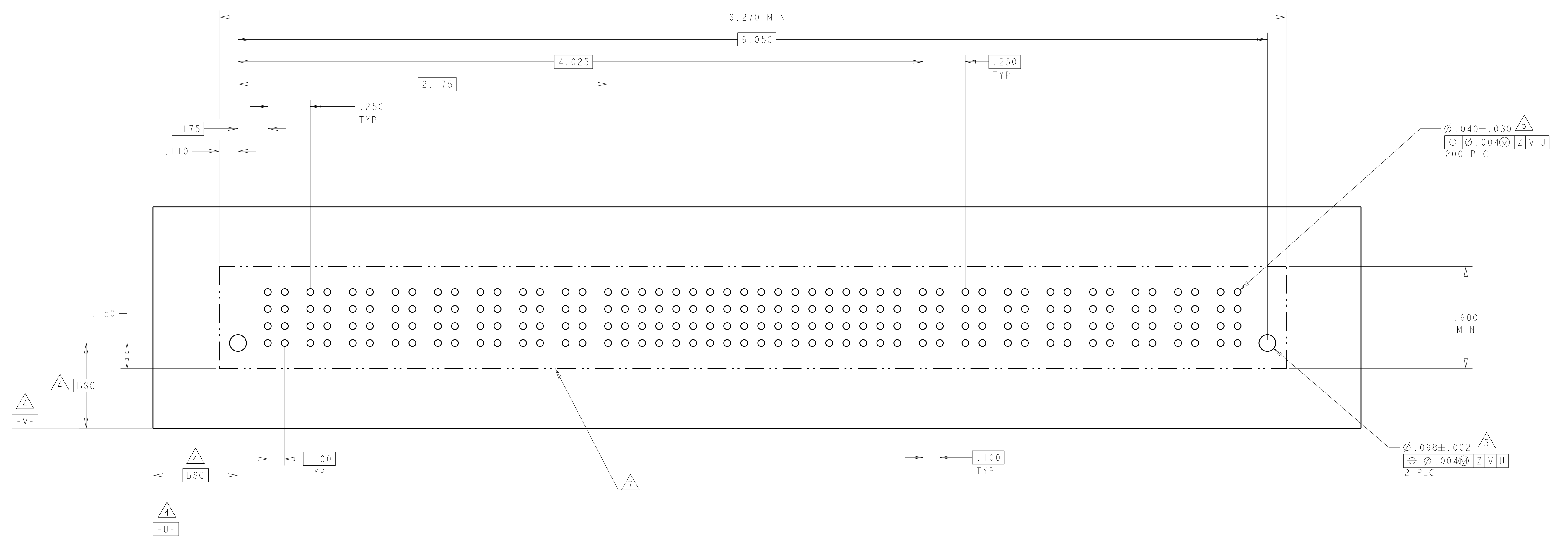
PART NUMBER	ROWS	HD	POWER		SIGNAL				POWER							SIGNAL				POWER	SIGNAL			HD		
			P1	P2	1	2	3	4	P3	P4	P5	P6	P7	P8	P9	P10	P11	P12	P13	5	6	7	8		P14	9
6450820-7	D C B A	HD	VM		EV	EV	EV	EV		VM	VM		VM		VM		VM		VM	VM		VM		EV	ES	
2P+16S+1P+2ACP+5P+2ACP+1P+16S+1P+8S					EV	EV	EV	EV											EV	EV	EV	EV		EV	EF	
					EV	EV	EV	EV											EV	EV	EV	EV		EV	EV	
					ES	EV	EV	EV											EV	EV	EV	EV		EV	EV	

NO CONTACTS LOADED

THE PCB LAYOUT IS THE SAME AS 6450820-6.
 PLEASE SEE 6450820-6 FOR DETAIL DIM.

THIS DRAWING IS A CONTROLLED DOCUMENT.		DMN D. ZHU 15NOV2007	 TE Connectivity
DIMENSIONS: INCHES		CHK S. ZHAO 15NOV2007	
TOLERANCES UNLESS OTHERWISE SPECIFIED: 0 PLC ±. 1 PLC ±.01 2 PLC ±.01 3 PLC ±.005 4 PLC ±.0020 ANGLES ±.2°		APVD S. ZHAO	NAME VERTICAL HEADER ASSEMBLY W/ SHORT END MODULES, PRESS FIT MULTI-BEAM XLE
		PRODUCT SPEC 108-2292	SIZE A100779
MATERIAL		APPLICATION SPEC 114-13251	DRAWING NO C=6450820
FINISH		WEIGHT	RESTRICTED TO
Customer Drawing		SCALE	SHEET 10 OF 20 REV G8

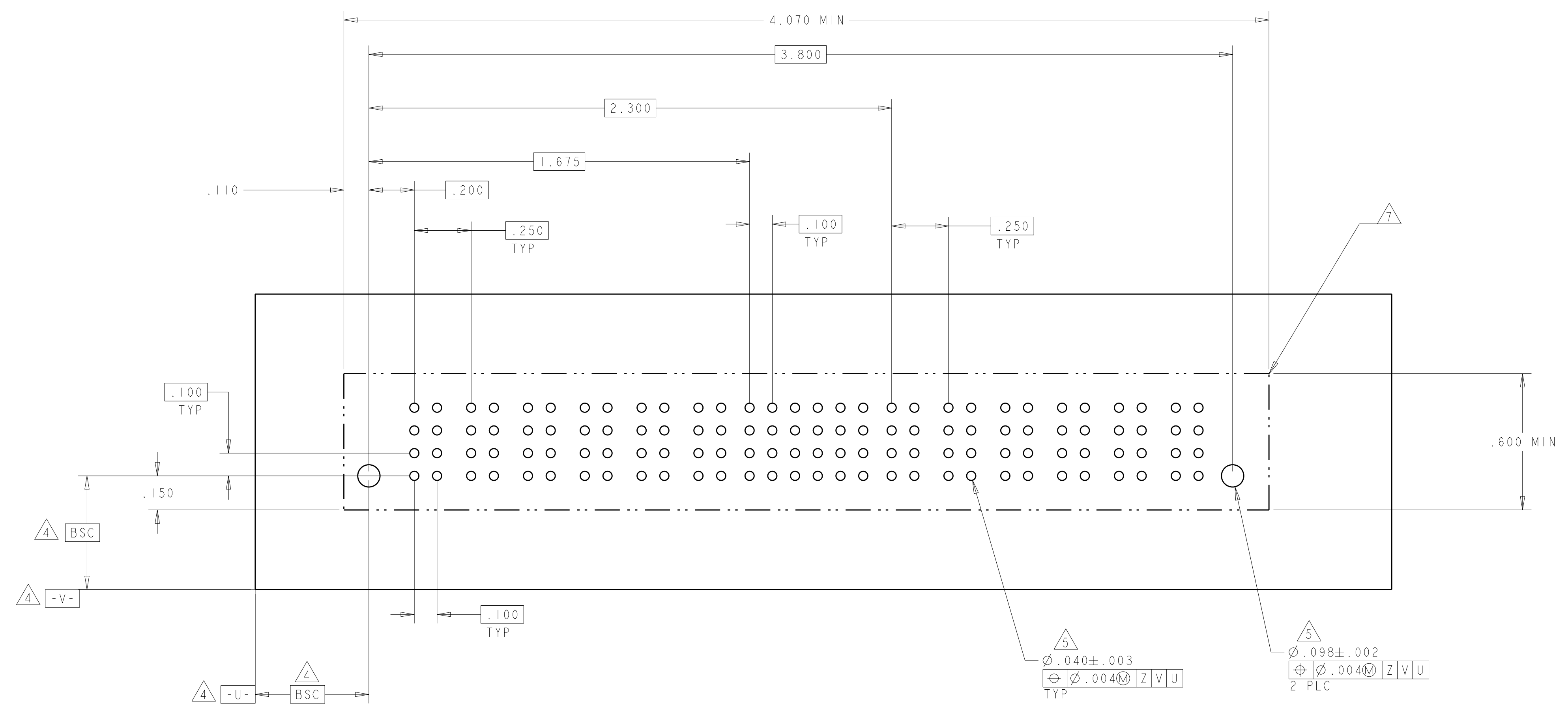
PART NUMBER	ROWS	POWER								SIGNAL																		POWER															
		P1	P2	P3	P4	P5	P6	P7	P8	1	2	3	4	5	6	7	8	9	10	11	12	13	14	15	16	17	18	P9	P10	P11	P12	P13	P14	P15	P16								
6450820-8	D C B A	VM	VM	VM	VM	VM	VM	VM	EV	EV	EV	EV	EV	EV	EV	EV	EV	EV	EV	EV	EV	EV	EV	EV	EV	EV	EV	EV	EV	EV	EV	EV	EV	EV	EV	EV	EV						
									EV	EV	EV	EV	EV	EV	EV	EV	EV	EV	EV	EV	EV	EV	EV	EV	EV	EV	EV	EV	EV	EV	EV	EV	EV	EV	EV	EV	EV	EV	EV	EV	EV	EV	
									EV	EV	EV	EV	EV	EV	EV	EV	EV	EV	EV	EV	EV	EV	EV	EV	EV	EV	EV	EV	EV	EV	EV	EV	EV	EV	EV	EV	EV	EV	EV	EV	EV	EV	EV
									EV	EV	EV	EV	EV	EV	EV	EV	EV	EV	EV	EV	EV	EV	EV	EV	EV	EV	EV	EV	EV	EV	EV	EV	EV	EV	EV	EV	EV	EV	EV	EV	EV	EV	EV
8P + 72S + 8P		VM								EV																		VM															



THIS DRAWING IS A CONTROLLED DOCUMENT.		DMN: D.ZHU 15NOV2007	STE		TE Connectivity
DIMENSIONS: INCHES		CHK: S.ZHAO 15NOV2007	NAME: VERTICAL HEADER ASSEMBLY W/ SHORT END MODULES, PRESS FIT MULTI-BEAM XLE		
TOLERANCES UNLESS OTHERWISE SPECIFIED:		APVD: S.ZHAO	PRODUCT SPEC: 108-2292		
0 PLC ±		APPLICATION SPEC: 114-13251	SIZE: A100779		Customer Drawing
2 PLC ±.01		WEIGHT: -	SCALE: -		SHEET 11 OF 20
3 PLC ±.005				REV: G8	
4 PLC ±.0020					
ANGLES ±.75°					
FINISH: -					
MATERIAL: -					

LOC	DIST	REVISIONS					
		P	LTN	DESCRIPTION	DATE	DWN	APVD
ES	00	-	-	SEE SHEET 1	-	-	-

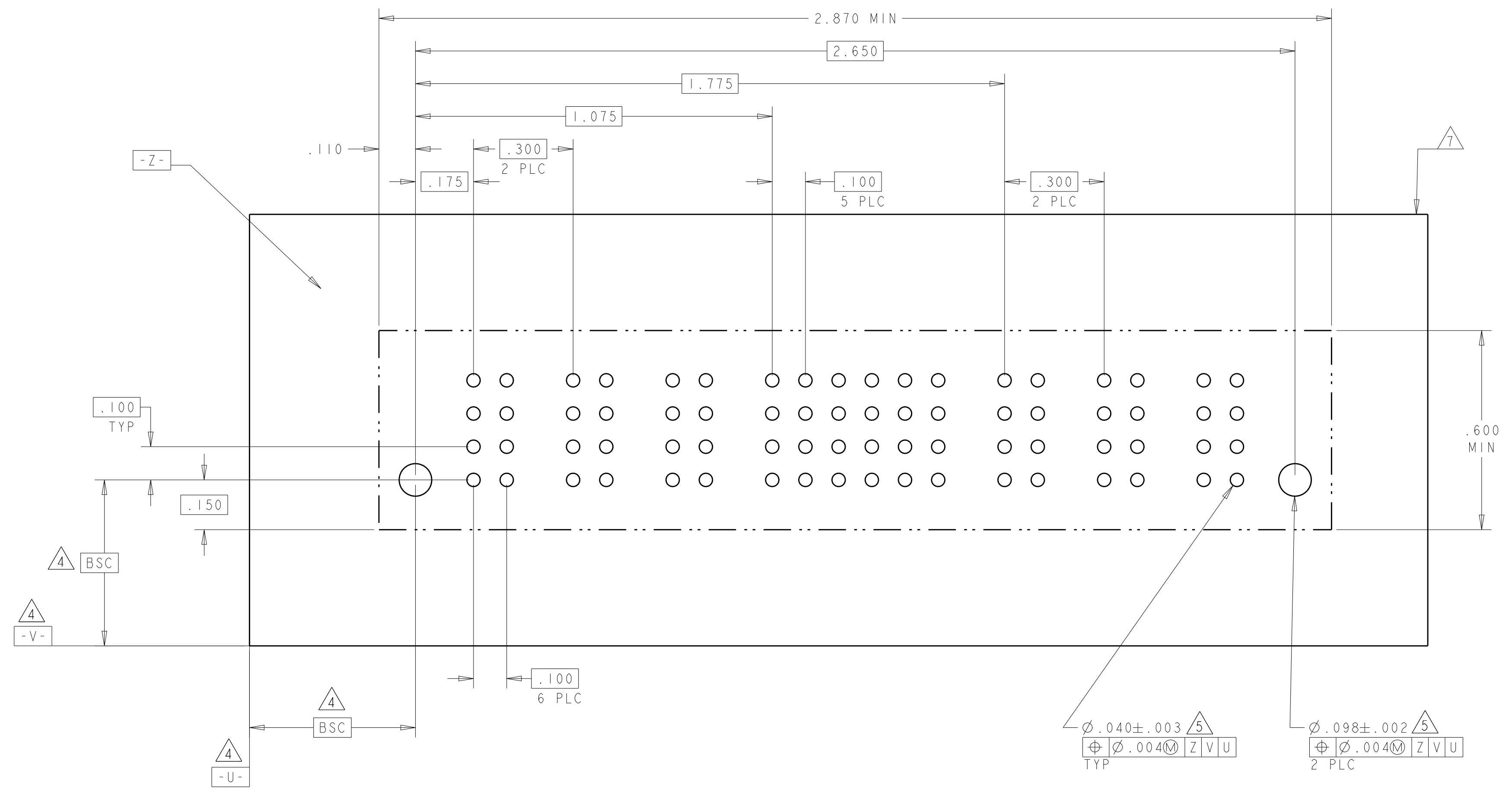
PART NUMBER	ROWS	HD	POWER						SIGNAL						POWER						HD					
			P1	P2	P3	P4	P5	P6	1	2	3	4	5	6	P7	P8	P9	P10	P11	P12						
1-6450820-1	D C B A	HD	VM	VM	VM	VM	VM	VM	EV	EV	EV	EV	EV	EV	VM	VM	VM	VM	VM	VM	HD					
			VM	VM	VM	VM	VM	VM	EV	EV	EV	EV	EV	EV	VM	VM	VM	VM	VM	VM	HD					
			VM	VM	VM	VM	VM	VM	EV	EV	EV	EV	EV	EV	VM	VM	VM	VM	VM	VM	HD					
			VM	VM	VM	VM	VM	VM	ES	EV	EV	EV	EV	EV	VM	VM	VM	VM	VM	VM	HD					
6P + 24S + 6P																										



THIS DRAWING IS A CONTROLLED DOCUMENT.		DWN D. ZHU	15NOV2007		TE Connectivity
DIMENSIONS: INCHES		CHK S. ZHAO	15NOV2007		NAME VERTICAL HEADER ASSEMBLY W/ SHORT END MODULES, PRESS FIT MULTI-BEAM XLE
TOLERANCES UNLESS OTHERWISE SPECIFIED:		APVD S. ZHAO	-	PRODUCT SPEC	
0 PLC ±		108-2292		APPLICATION SPEC	
1 PLC ±.01		114-13251		WEIGHT	
2 PLC ±.05		Customer Drawing		SCALE	
3 PLC ±.0020		Customer Drawing		SHEET 12 OF 20	
ANGLES ±.2°		Customer Drawing		REV G8	
FINISH		Customer Drawing		REV G8	

LOC		DIST		REVISIONS			
ES	00	P	LTN	DESCRIPTION	DATE	DWN	APVD
		-		SEE SHEET 1			

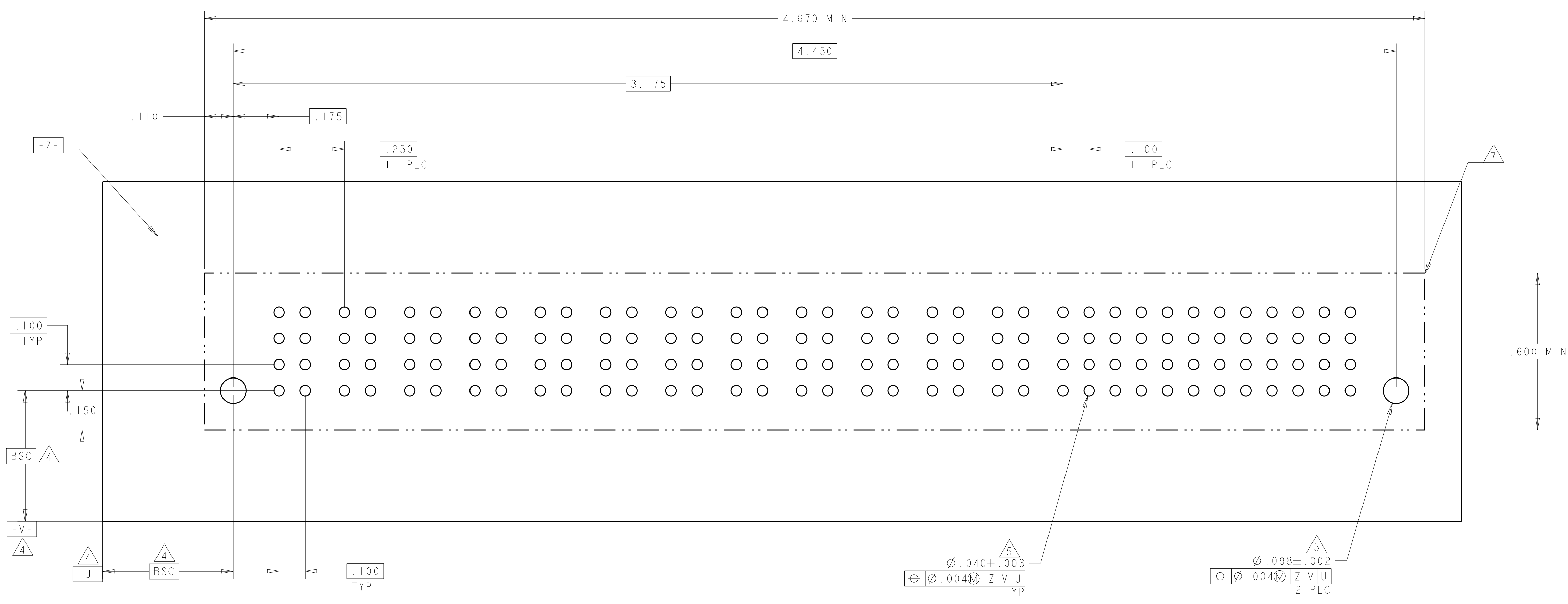
PART NUMBER	ROWS	POWER			SIGNAL						POWER		
		P1	P2	P3	1	2	3	4	5	6	P4	P5	P6
1-6450820-3	D	VM	VM	VM	EV	EV	EV	EV	EV	EV	VM	VM	VM
	C				EV	EV	EV	EV	EV	EV			
	B				EV	EV	EV	EV	EV	EV			
	A				EV	EV	EV	EV	EV	EV			
3ACP + 24S + 3ACP													



THIS DRAWING IS A CONTROLLED DOCUMENT.		DWN D. ZHU	15NOV2007	
DIMENSIONS: INCHES		CHK S. ZHAO	15NOV2007	
		TOLERANCES UNLESS OTHERWISE SPECIFIED:		NAME VERTICAL HEADER ASSEMBLY W/ SHORT END MODULES, PRESS FIT MULTI-BEAM XLE
0 PLC ± 1 PLC ±.01 2 PLC ±.01 3 PLC ±.005 4 PLC ±.0020 ANGLES ±.2°		APVD S. ZHAO	PRODUCT SPEC 108-2292	APPLICATION SPEC 114-13251
MATERIAL		WEIGHT		SIZE A100779
FINISH		Customer Drawing		SCALE -
		SHEET 13 OF 20		REV G8

LOC	DIST	REVISIONS					
		P	LTN	DESCRIPTION	DATE	DMN	APVD
ES	00	-	-	SEE SHEET 1	-	-	-

PART NUMBER	ROWS	POWER												SIGNAL											
		P1	P2	P3	P4	P5	P6	P7	P8	P9	P10	P11	P12	1	2	3	4	5	6	7	8	9	10	11	12
1-6450820-7	D	VM	VM	VM	VM	VM	VM	VM	VM	VM	VM	VM	VM	EV	EV	EV	EV	EV	EV	EV	EV	EV	EV	EV	EV
	C	VM	VM	VM	VM	VM	VM	VM	VM	VM	VM	VM	VM	EV	EV	EV	EV	EV	EV	EV	EV	EV	EV	EV	EV
	B	VM	VM	VM	VM	VM	VM	VM	VM	VM	VM	VM	VM	EV	EV	EV	EV	EV	EV	EV	EV	EV	EV	EV	EV
	A	VM	VM	VM	VM	VM	VM	VM	VM	VM	VM	VM	VM	EV	EV	EV	EV	EV	EV	EV	EV	EV	EV	EV	EV
12P + 48S																									



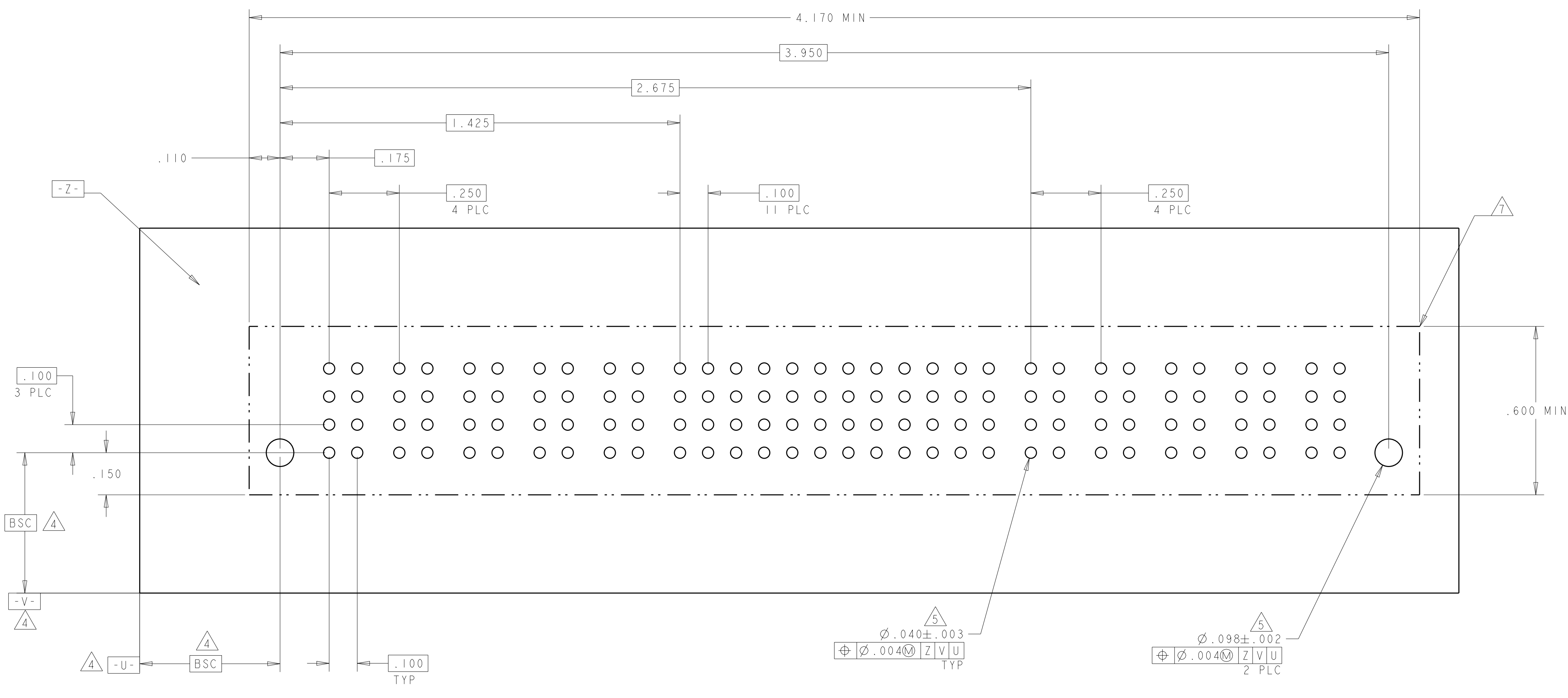
THIS DRAWING IS A CONTROLLED DOCUMENT.

DIMENSIONS: INCHES	TOLERANCES UNLESS OTHERWISE SPECIFIED:	DMN D. ZHU CHK S. ZHAO APVD S. ZHAO	15NOV2007 15NOV2007
	0 PLC ±. 1 PLC ±.01 2 PLC ±.01 3 PLC ±.005 4 PLC ±.0020 ANGLES ±.2°	NAME VERTICAL HEADER ASSEMBLY W/ SHORT END MODULES, PRESS FIT MULTI-BEAM XLE	RESTRICTED TO
MATERIAL	FINISH	PRODUCT SPEC 108-2292	SIZE 114-13251
		APPLICATION SPEC	WEIGHT
		114-13251	Customer Drawing

SCALE - SHEET 14 OF 20 REV G8

LOC	DIST	REVISIONS					
ES	00	P	LTH	DESCRIPTION	DATE	OWN	APVD
				SEE SHEET 1			

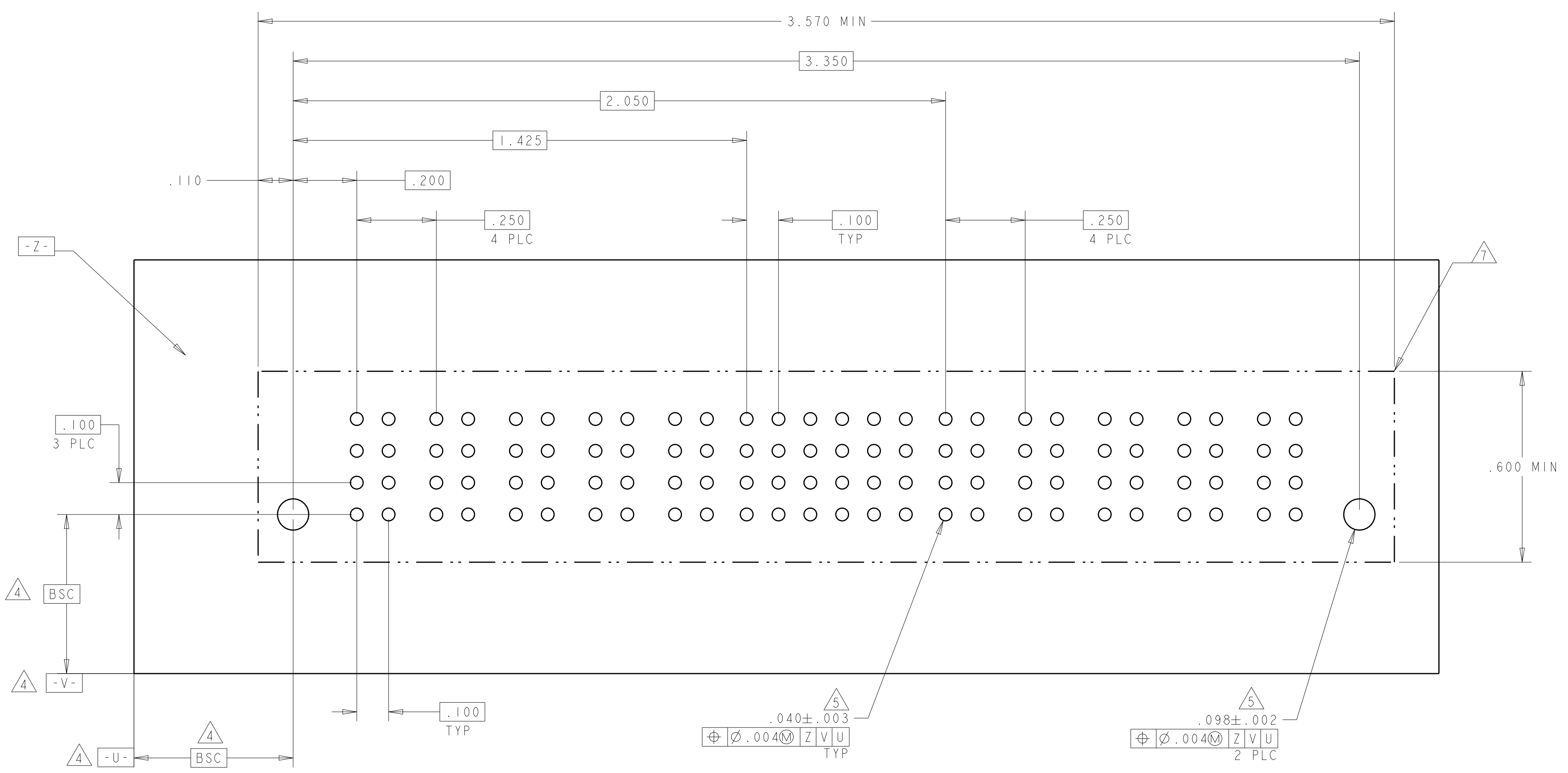
PART NUMBER	ROWS	POWER					SIGNAL												POWER										
		P1	P2	P3	P4	P5	1	2	3	4	5	6	7	8	9	10	11	12	P6	P7	P8	P9	P10						
1-6450820-8	D C B A	VM	VM	VM	VM	VM	EV	EV	EV	EV	EV	EV	EV	EV	EV	EV	EV	EV	EV	EV	EV	EV	EV						
							EV	EV	EV	EV	EV	EV	EV	EV	EV	EV	EV	EV	EV	EV	EV	EV	EV	EV	EV	EV	EV		
							EV	EV	EV	EV	EV	EV	EV	EV	EV	EV	EV	EV	EV	EV	EV	EV	EV	EV	EV	EV	EV	EV	EV
							EV	EV	EV	EV	EV	EV	EV	EV	EV	EV	EV	EV	EV	EV	EV	EV	EV	EV	EV	EV	EV	EV	EV
5P + 48S + 5P																													



THIS DRAWING IS A CONTROLLED DOCUMENT.		OWN	D. ZHU	15NOV2007
DIMENSIONS: INCHES		CHK	S. ZHAO	15NOV2007
TOLERANCES UNLESS OTHERWISE SPECIFIED:		APVD	S. ZHAO	
0 PLC ±.01 1 PLC ±.01 2 PLC ±.01 3 PLC ±.005 4 PLC ±.0020 ANGLES ±.5°		PRODUCT SPEC	NAME	
		APPLICATION SPEC	VERTICAL HEADER ASSEMBLY W/ SHORT END MODULES, PRESS FIT MULTI-BEAM XLE	
MATERIAL		114-13251	SIZE	CAGE CODE
FINISH		WEIGHT	114-13251	DRAWING NO
		SCALE	A100779	REVISIONS
		Customer Drawing	SCALE	REV

LOC	DIST	REVISIONS					
		P	LTN	DESCRIPTION	DATE	DMN	APVD
ES	00	-	-	SEE SHEET 1	-	-	-

PART NUMBER	ROWS	POWER					SIGNAL						POWER				
		P1	P2	P3	P4	P5	1	2	3	4	5	6	P6	P7	P8	P9	P10
1-6450820-9	D C B A	VM	VM	VM	VM	VM	EV	EV	EV	EV	EV	EV	VM	VM	VM	VM	VM
							EV	EV	EV	EV	EV	EV					
							EV	EV	EV	EV	EV	EV					
							EV	EV	EV	EV	EV	EV					
5P + 24S + 5P																	

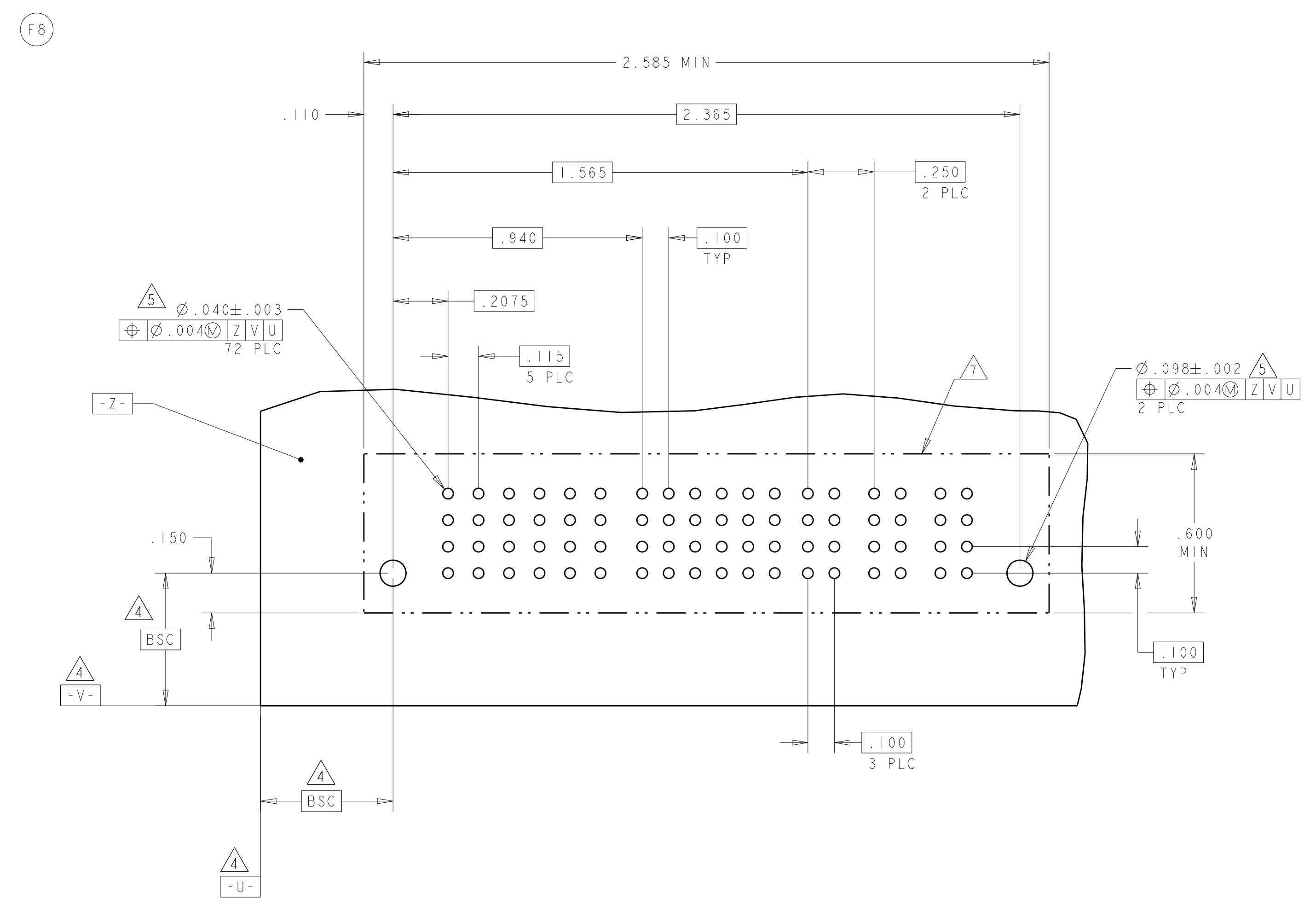
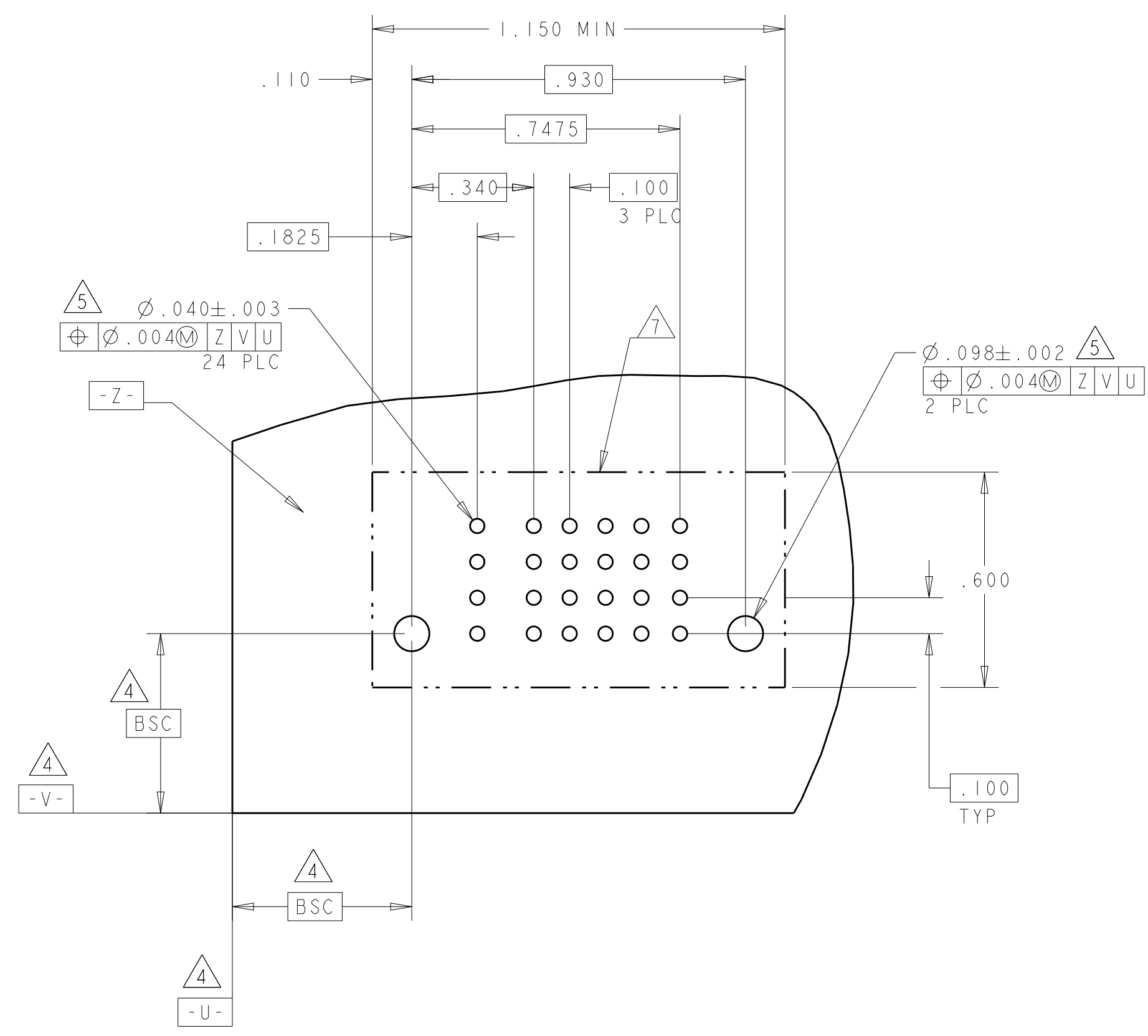


THIS DRAWING IS A CONTROLLED DOCUMENT.		DMN: D.ZHU 15NOV2007	TE Connectivity
DIMENSIONS: INCHES		CHK: S.ZHAO 15NOV2007	
TOLERANCES UNLESS OTHERWISE SPECIFIED:		APVD: S.ZHAO	NAME: VERTICAL HEADER ASSEMBLY W/ SHORT END MODULES, PRESS FIT MULTI-BEAM XLE
0 PLC ±	1 PLC ±.01	PRODUCT SPEC: 108-2292	SIZE: 114-13251
2 PLC ±.01	3 PLC ±.005	APPLICATION SPEC:	RESTRICTED TO: A100779C=6450820
4 PLC ±.0020	ANGLES ±.2°	WEIGHT:	SCALE: - SHEET 16 OF 20 REV: G8
MATERIAL: -	FINISH: -	Customer Drawing	

LOC		DIST		REVISIONS			
ES	00	P	LTN	DESCRIPTION	DATE	DMN	APVD
		-		SEE SHEET 1			

PART NUMBER	ROWS	POWER	SIGNAL				POWER	HD
			LP1	1	2	3		
2-6450820-0	D	LZ	EV	EV	EV	EV	LZ	HD
	C		EV	EV	EV	EV		
	B		EV	EV	EV	EV		
	A		EV	EV	EV	EV		
1LP + 16S + 1LP								

PART NUMBER	ROWS	POWER	LOW POWER						SIGNAL						POWER			HD
			LP1	LP2	LP3	LP4	LP5	LP6	1	2	3	4	5	6	P1	P2	P3	
2-6450820-1	D	LZ	LZ	LZ	LZ	LZ	LZ	LZ	EV	EV	EV	EV	EV	EV	VM	VM	VM	HD
	C		EV	EV	EV	EV	EV	EV	EV	EV	EV	EV	EV					
	B		EV	EV	ES	EV	EV	EV	EV	EV	EV	EV	EV					
	A		EV	EV	EV	EV	EV	EV	EV	EV	EV	EV	EV					
6LP + 24S + 3P																		

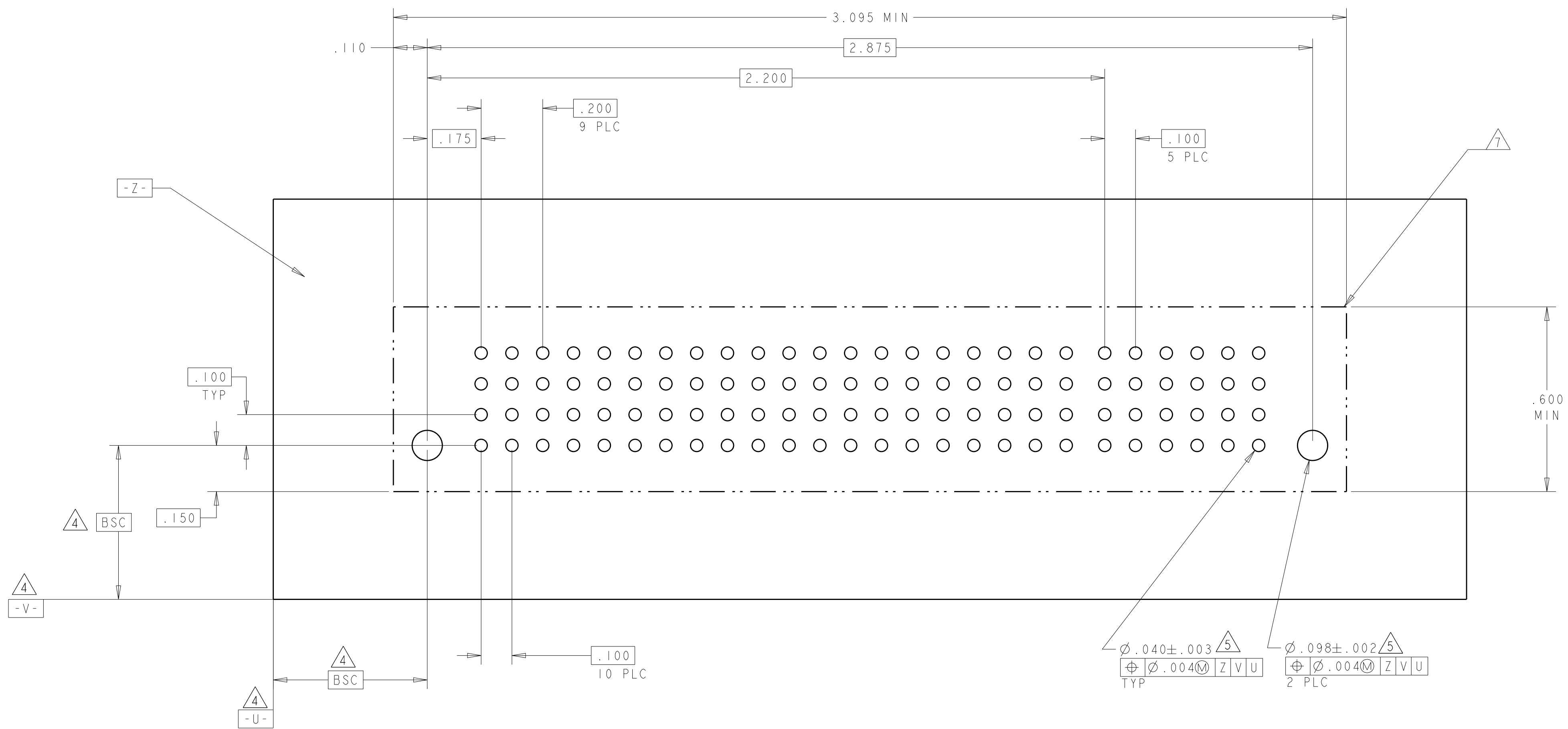


THIS DRAWING IS A CONTROLLED DOCUMENT.

DIMENSIONS:	TOLERANCES UNLESS OTHERWISE SPECIFIED:	DMN	D. ZHU	15NOV2007	STE TE Connectivity
INCHES	0 PLC ±.01 1 PLC ±.01 2 PLC ±.01 3 PLC ±.005 4 PLC ±.0020 ANGLES ±.7°	CHK	S. ZHAO	15NOV2007	
MATERIAL	FINISH	APVD	S. ZHAO	-	NAME
		PRODUCT SPEC			VERTICAL HEADER ASSEMBLY W/ SHORT END MODULES, PRESS FIT MULTI-BEAM XLE
		APPLICATION SPEC			SIZE
		114-13251			CAGE CODE
		WEIGHT			DRAWING NO
					A100779
		Customer Drawing			DRAWING NO
					C=6450820
					RESTRICTED TO
					SCALE
					SHEET 17 OF 20
					REV G8

LOC	DIST	REVISIONS			
P	LTH	DESCRIPTION	DATE	DMN	APVD
ES	00	SEE SHEET 1	-	-	-

PART NUMBER	ROWS	POWER										SIGNAL					
		P1	P2	P3	P4	P5	P6	P7	P8	P9	P10	1	2	3	4	5	6
2-6450820-3	D	VM	VM	VM	VM	VM	VM	VM	VM	VM	VM	EV	EV	EV	EV	EV	EV
	C											EV	EV	EV	EV	EV	EV
	B											EV	EV	EV	EV	EV	EV
	A											EV	EV	EV	EV	EV	EV
10HDP + 24S		HD											HD				

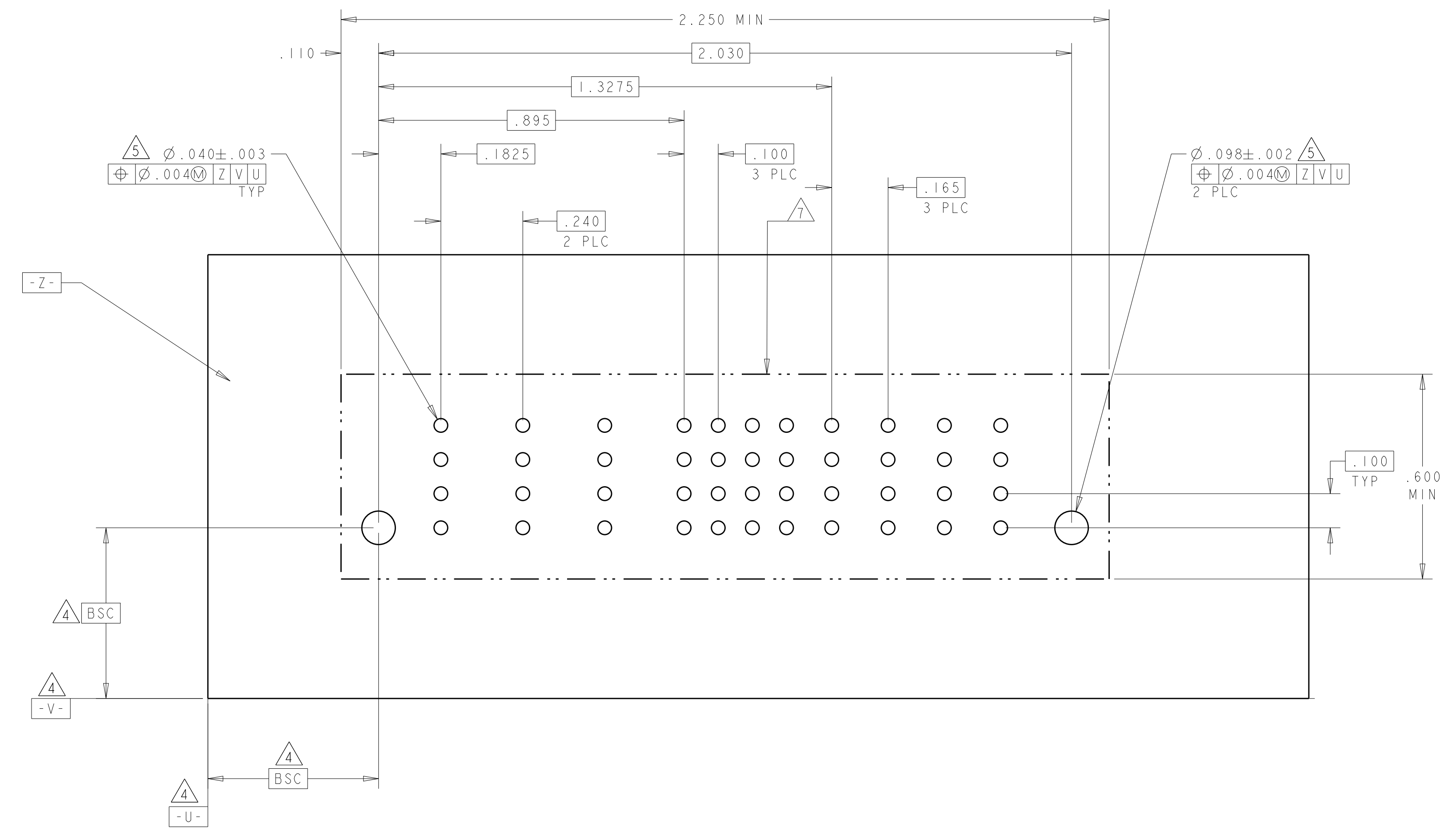


THIS DRAWING IS A CONTROLLED DOCUMENT.

DIMENSIONS: INCHES	TOLERANCES UNLESS OTHERWISE SPECIFIED:	DMN D. ZHU CHK S. ZHAO APVD S. ZHAO	15NOV2007 15NOV2007	TE Connectivity NAME VERTICAL HEADER ASSEMBLY W/ SHORT END MODULES, PRESS FIT MULTI-BEAM XLE
	0 PLC ± 1 PLC ±.01 2 PLC ±.01 3 PLC ±.005 4 PLC ±.0020 ANGLES ±2°	PRODUCT SPEC 108-2292 APPLICATION SPEC 114-13251	SIZE A100779	
MATERIAL	FINISH	WEIGHT Customer Drawing		RESTRICTED TO SCALE - SHEET 19 OF 20 REV G8

LOC	DIST	REVISIONS					
		P	LTN	DESCRIPTION	DATE	DWN	APVD
ES	00	-	-	SEE SHEET 1	-	-	-

PART NUMBER	ROWS	HD	POWER			SIGNAL				POWER				HD
			LP1	LP2	LP3	1	2	3	4	LP4	LP5	LP6	LP7	
2-6450820-5	D	C B A	LZ	LZ	LZF	EV	EV	EV	ES	LZ	LZ	LZ	LZ	
	EV					EV	EV	EV						
	EV					EV	EV	EV						
	EV					EV	EV	EV						
3LP + 16S + 4LP														



THIS DRAWING IS A CONTROLLED DOCUMENT.

DIMENSIONS: INCHES	TOLERANCES UNLESS OTHERWISE SPECIFIED:	DWN: D. ZHU 15NOV2007 CHK: S. ZHAO 15NOV2007 APVD: S. ZHAO	NAME: VERTICAL HEADER ASSEMBLY W/ SHORT END MODULES, PRESS FIT MULTI-BEAM XLE
	0 PLC ±. 1 PLC ±. 2 PLC ±.01 3 PLC ±.005 4 PLC ±.0020 ANGLES ±7°	PRODUCT SPEC: 108-2292 APPLICATION SPEC: 114-13251 WEIGHT: -	SIZE: A1 CAGE CODE: 00779 DRAWING NO: 6450820
MATERIAL: -	FINISH: -	Customer Drawing	RESTRICTED TO: -

SCALE: - SHEET 20 OF 20 REV: G8



Компания «ЭлектроПласт» предлагает заключение долгосрочных отношений при поставках импортных электронных компонентов на взаимовыгодных условиях!

Наши преимущества:

- Оперативные поставки широкого спектра электронных компонентов отечественного и импортного производства напрямую от производителей и с крупнейших мировых складов;
- Поставка более 17-ти миллионов наименований электронных компонентов;
- Поставка сложных, дефицитных, либо снятых с производства позиций;
- Оперативные сроки поставки под заказ (от 5 рабочих дней);
- Экспресс доставка в любую точку России;
- Техническая поддержка проекта, помощь в подборе аналогов, поставка прототипов;
- Система менеджмента качества сертифицирована по Международному стандарту ISO 9001;
- Лицензия ФСБ на осуществление работ с использованием сведений, составляющих государственную тайну;
- Поставка специализированных компонентов (Xilinx, Altera, Analog Devices, Intersil, Interpoint, Microsemi, Aeroflex, Peregrine, Syfer, Eurofarad, Texas Instrument, Miteq, Cobham, E2V, MA-COM, Hittite, Mini-Circuits, General Dynamics и др.);

Помимо этого, одним из направлений компании «ЭлектроПласт» является направление «Источники питания». Мы предлагаем Вам помощь Конструкторского отдела:

- Подбор оптимального решения, техническое обоснование при выборе компонента;
- Подбор аналогов;
- Консультации по применению компонента;
- Поставка образцов и прототипов;
- Техническая поддержка проекта;
- Защита от снятия компонента с производства.



Как с нами связаться

Телефон: 8 (812) 309 58 32 (многоканальный)

Факс: 8 (812) 320-02-42

Электронная почта: org@eplast1.ru

Адрес: 198099, г. Санкт-Петербург, ул. Калинина, дом 2, корпус 4, литера А.