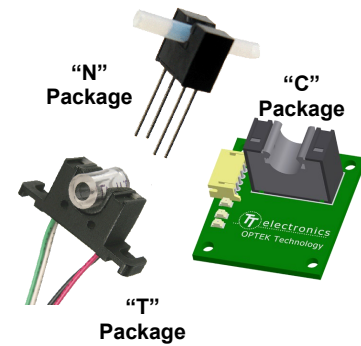


Tube Liquid Sensor

OPB350 / OCB350 Series

(Calibration Circuit Available)



Features:

- Can identify if liquid is present in clear tubes that have an outside diameter of 1/16" [1.6mm], 1/8" [3.2mm], 3/16" [4.8 mm] or 1/4" [6.3 mm]
- Opaque plastic housing enhances ambient light rejection
- Printed circuit board mounting or 24" (610 mm) 26 AWG wires

Description:

The OPB350 series liquid sensor is designed to work with 1/16" [1.6mm], 1/8" [3.2mm], 3/16" [4.8 mm] and 1/4" [6.3 mm] outside diameter clear tubes. When output reference circuitry is added, multiple output states such as "fluid present," "no fluid present" and "no tube present" can be recognized.

Clear liquid present causes the phototransistor to sink the maximum current, while dark liquid present causes it to sink the minimum current. As bubbles pass through the tube, the signal will vary between the "liquid present" and "no liquid" states. If no tube is present, the phototransistor sinks current between the dark fluid and clear fluid states. The customer will have to identify the typical current values for each situation. The ratio between the different states allows acknowledgement of different conditions.

The OPB350L series have leads that are designed to mount directly to PCBoards. The OPB350W series with 26 AWG wires are remote mountable. The OCB350 series provides a full solution with automatic calibration capability and a preset trip level.

The OCB350 series is configured to optimize the design effort needed to use a fluid sensor with the addition of self calibration circuitry. The OCB350 series are easy to use requiring only an optical device and power supply. Four lights are provided on the board that acknowledge when the device is calibrated (Green LED), that the device could not be calibrated (Red LED) and when the analog output has reached the logical trip higher than the calibration point (Blue LED) or lower than the calibration point (Green LED). The internal phototransistor load resistance can be set for three different values (~2.5K, ~9.6K or ~27K Ohms). A Reset/Clear pin is provided for remote signaling to calibrate of the system.

The OCB350 series comes with an OPB350L__Z, PCBoard, interface cable (OCB100-MC24) and all the necessary electronics required for sensing either transmissive or opaque fluids.

See "Theory of Operation" for detailed information.

For a custom PCBoard design for your unique challenge, contact your OPTEK representative.

Applications:

- Non-contact fluid sensing
- IV fluid
- Oils and other petroleum products
- Colored fluids



RoHS

Tube Liquid Sensor

OPB350 / OCB350 Series

(Calibration Circuit Available)



COMPLETE PART NUMBERS OF OPB350 AND OCB350 SERIES	
OPB350	PCB mount for 1/8" tubing
OPB350L062	PCB mount for 1/16" tubing
OPB350W062Z	Wired assembly for 1/16" tubing, with mounting tabs
OPB350L125	PCB mount for 1/8" tubing
OPB350C125Z	Wired assembly for 1/8" tubing, mounting tabs & Molex connector 50-57-9404
OPB350W125Z	Wired assembly for 1/8" tubing, with mounting tabs
OPB350L187	PCB mount for 3/16" tubing
OPB350W187Z	Wired assembly for 3/16" tubing, with mounting tabs
OPB350L250	PCB mount for 1/4" tubing
OPB350W250Z	Wired assembly for 1/4" tubing, with mounting tabs
OCB350L062Z	OPB350L062 mounted on OCB100AZ calibration circuit board, with OCB-100-MC24 cable*
OCB350L125Z	OPB350L125 mounted on OCB100AZ calibration circuit board, with OCB-100-MC24 cable*
OCB350L187Z	OPB350L187 mounted on OCB100AZ calibration circuit board, with OCB-100-MC24 cable*
OCB350L250Z	OPB350L250 mounted on OCB100AZ calibration circuit board, with OCB-100-MC24 cable*

(*cable not sold separately)

Notes:

- (1) All parameters tested using pulse technique.
- (2) RMA flux is recommended. Duration can be extended to 10 seconds maximum when flow soldering.
- (3) Methanol or isopropanol are recommended as cleaning agents. The plastic housing is soluble in chlorinated hydrocarbons and keytones.
- (4) Derate linearly 1.33 mW/°C above 25° C.
- (5) $E_{e(APT)}$ is a measurement of the average apertured radiant energy incident upon a sensing area 0.250" (6.350 mm) in diameter, which is perpendicular to and centered to the mechanical axis of the emitting surface at a distance of 0.466" (11.837 mm).
 $E_{e(APT)}$ is not necessarily uniform within the measured area.
- (6) The on/off ratio is referenced to the I.D. as specified for a clear PVC tube with O.D. per the device dimensions. The ratio is calculated by the $I_{C(ON)}$ when the tube is filled with water divided by the $I_{C(ON)}$ with an empty tube.

General Note
TT Electronics reserves the right to make changes in product specification without notice or liability. All information is subject to TT Electronics' own data and is considered accurate at time of going to print.

OPTEK Technology, Inc.
1645 Wallace Drive, Carrollton, TX 75006 | Ph: +1 972 323 2200
www.optekinc.com | www.ttelectronics.com

Electrical Specifications

Absolute Maximum Ratings ($T_A = 25^\circ\text{C}$ unless otherwise noted)

Storage Temperature	-40° C to +100° C
Operating Temperature	-40° C to +85° C
Lead Soldering Temperature [1/16 inch (1.6 mm) from the case for 5 sec. with soldering iron] ⁽²⁾	260° C
LED	
Forward DC Current	50 mA
Peak Forward Current (2 μs pulse width, 0.1 % duty cycle)	1 A
Reverse DC Voltage	2 V
Power Dissipation	100 mW
Output Phototransistor	
Collector-Emitter Voltage	24 or 30 V
Collector DC Current	50 mA
Power Dissipation	100 mW

Electrical Characteristics ($T_A = 25^\circ\text{C}$ unless otherwise noted)

SYMBOL	PARAMETER	MIN	TYP	MAX	UNITS	TEST CONDITIONS
Input LED (See OP245 for additional information — for reference only)						
V_F	Forward Voltage	-	-	1.7	V	$I_F = 20\text{ mA}$
I_R	Reverse Current	-	-	100	μA	$V_R = 2.0\text{ V}$
Output Phototransistor (See OP555 [OPB350] & OP750 [-062, -125, -187 & -250] for additional information— for Ref. Only)						
$V_{(BR)CEO}$	Collector-Emitter Breakdown Voltage	30 24	- -	- -	V	$I_C = 100\ \mu\text{A}$, $E_E = 0\text{ mw/cm}^2$
I_{CEO}	Collector-Emitter Dark Current	-	-	100	nA	$V_{CE} = 10\text{ V}$, $I_F = 0$, $E_E = 0\text{ mw/cm}^2$
Coupled						
$V_{CE(SAT)}$	Collector-Emitter Saturation Voltage	-	-	0.4	V	$I_C = 100\ \mu\text{A}$, $I_F = 5\text{ mA}$
$I_{C(ON)}$	On-State Collector Current OPB350L062 & OPB350W062Z OPB350 OPB350L125 & OPB350W125Z OPB350L187 & OPB350W187Z OPB350L250 & OPB350W250Z	0.30 1.00 1.30 1.00 0.75	0.8 3.5 2.6 2.0 1.5	1.3 6.0 3.9 4.0 3.0	mA	$V_{CE} = 0.4\text{ V}$, $I_F = 5\text{ mA}$
On/Off Ratio	OPB350L062 & OPB350W062Z OPB350 OPB350L125 & OPB350W125 OPB350L187 & OPB350W187 OPB350L250 & OPB350W250	- - - - -	3.0 3.0 2.5 2.3 2.3	- - - - -	-	$V_{CE} = 0.4\text{ V}$, $I_F = 5\text{ mA}$, I.D.=0.0312 ⁽⁶⁾ $V_{CE} = 0.4\text{ V}$, $I_F = 5\text{ mA}$, I.D.=0.0625 ⁽⁶⁾ $V_{CE} = 0.4\text{ V}$, $I_F = 5\text{ mA}$, I.D.=0.0870 ⁽⁶⁾ $V_{CE} = 0.4\text{ V}$, $I_F = 5\text{ mA}$, I.D.=0.1250 ⁽⁶⁾

General Note
TT Electronics reserves the right to make changes in product specification without notice or liability. All information is subject to TT Electronics' own data and is considered accurate at time of going to print.

OPTEK Technology, Inc.
1645 Wallace Drive, Carrollton, TX 75006 | Ph: +1 972 323 2200
www.optekinc.com | www.ttelectronics.com

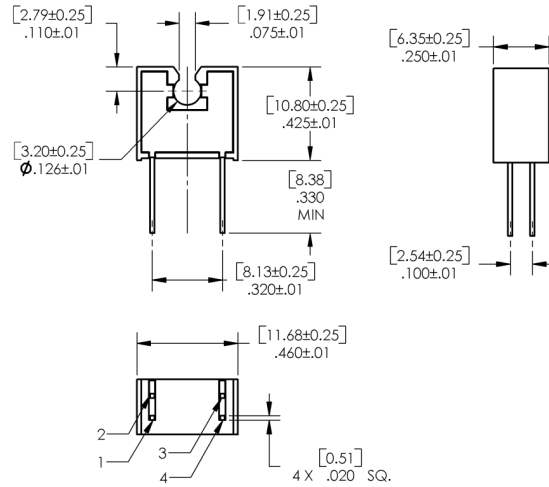
Tube Liquid Sensor

OPB350 / OCB350 Series

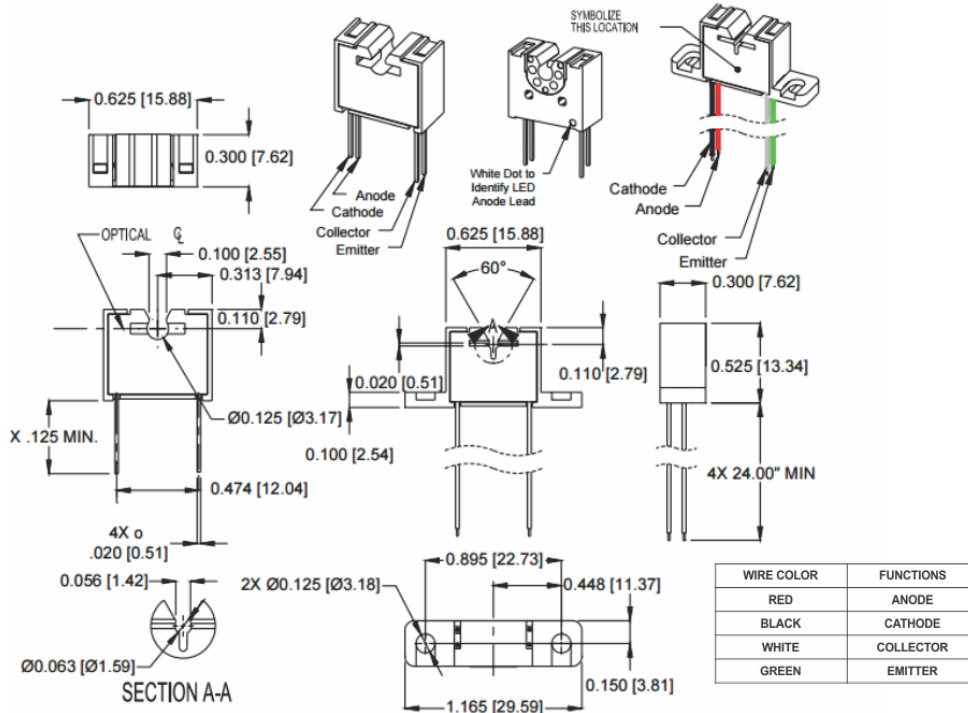
(Calibration Circuit Available)



OPB350



OPB350L062 & OPB350W062Z OPB350L125 & OPB350W125Z



General Note
TT Electronics reserves the right to make changes in product specification without notice or liability. All information is subject to TT Electronics' own data and is considered accurate at time of going to print.

OPTEK Technology, Inc.
1645 Wallace Drive, Carrollton, TX 75006 | Ph: +1 972 323 2200
www.optekinc.com | www.ttelectronics.com

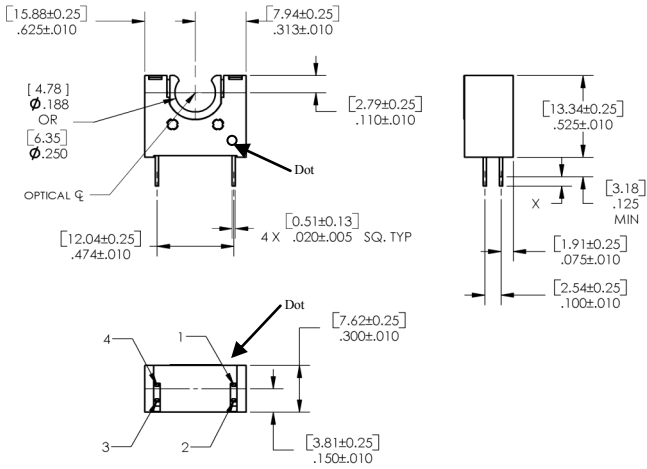
Tube Liquid Sensor

OPB350 / OCB350 Series

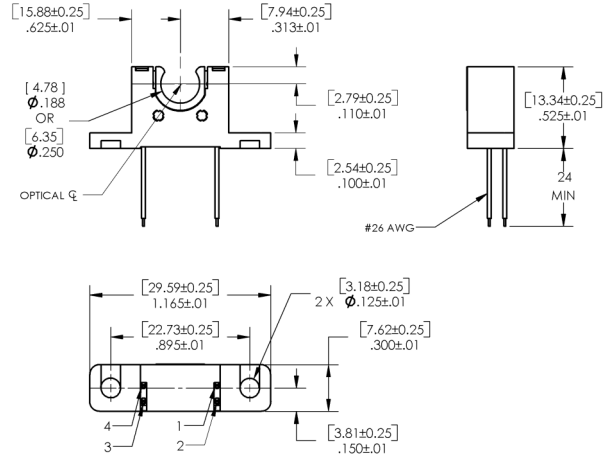
(Calibration Circuit Available)



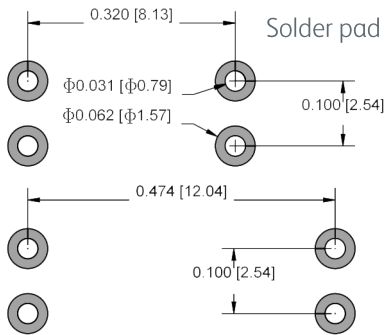
OPB350L187 and OPB350L250



OPB350W187Z and OPB350W250Z

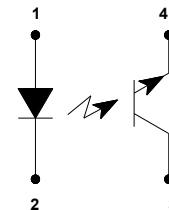


Solder pad Information



DIMENSIONS ARE IN: [MILLIMETERS]
[INCHES]

Pin #	LED	Pin #	Transistor
1	Anode	4	Emitter
2	Cathode	3	Collector



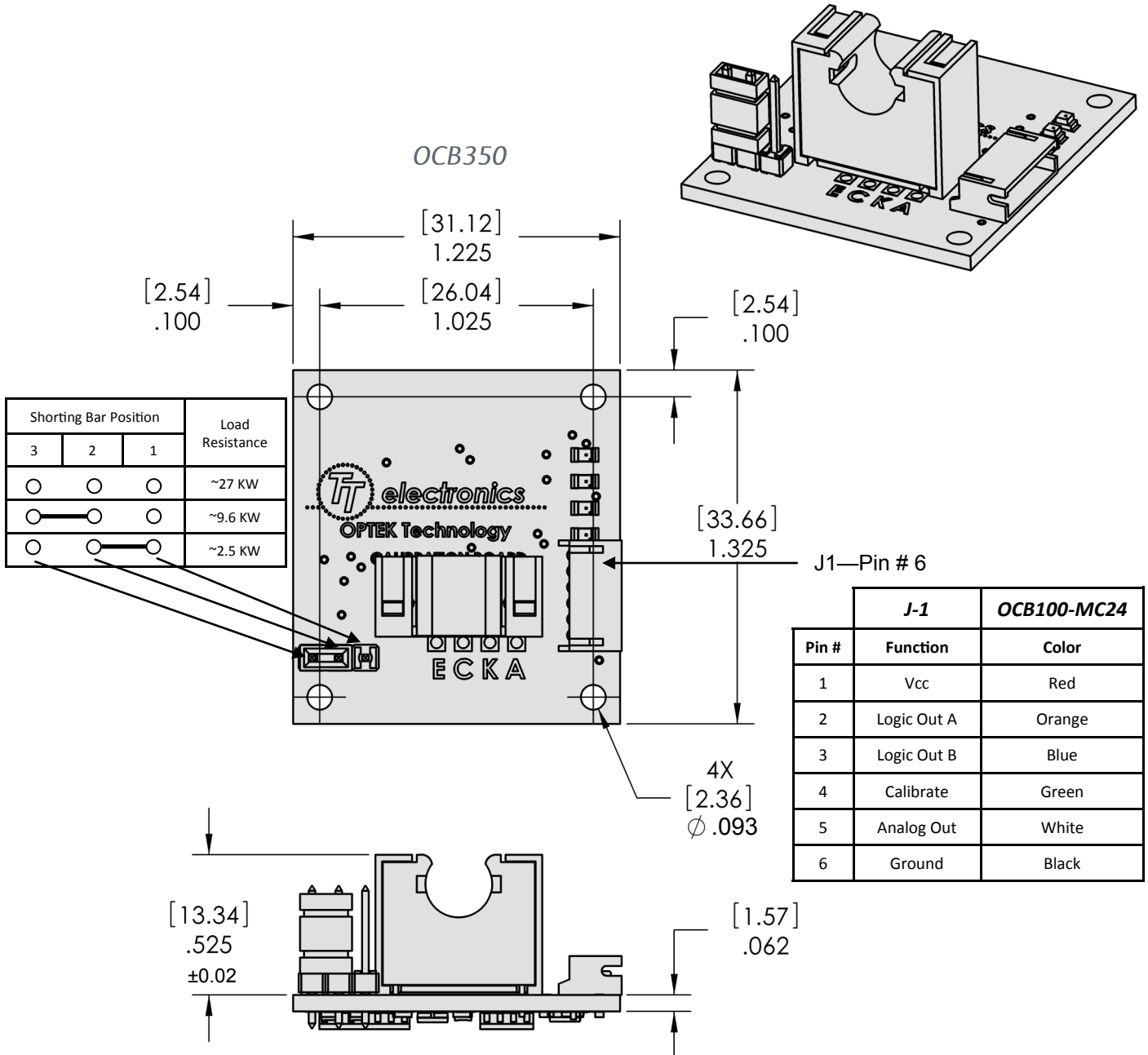
General Note
TT Electronics reserves the right to make changes in product specification without notice or liability. All information is subject to TT Electronics' own data and is considered accurate at time of going to print.

OPTEK Technology, Inc.
1645 Wallace Drive, Carrollton, TX 75006 | Ph: +1 972 323 2200
www.optekinc.com | www.ttelectronics.com

Tube Liquid Sensor

OPB350 / OCB350 Series

(Calibration Circuit Available)



General Note
 TT Electronics reserves the right to make changes in product specification without notice or liability. All information is subject to TT Electronics' own data and is considered accurate at time of going to print.

OPTEK Technology, Inc.
 1645 Wallace Drive, Carrollton, TX 75006 | Ph: +1 972 323 2200
 www.optekinc.com | www.ttelectronics.com

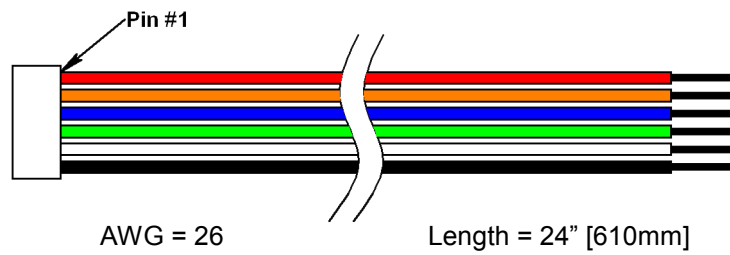
Tube Liquid Sensor

OPB350 / OCB350 Series

(Calibration Circuit Available)



OCB-MC24
(not sold separately)



Tube Liquid Sensor

OPB350 / OCB350 Series

(Calibration Circuit Available)



Calibration Circuit theory of operation:

The OCB350 series is designed to minimize the change of optical devices due to manufacturing variance. With the calibration circuit, the design engineer can narrow the initial output state providing a device that will operate the same for years with the same startup state thus enhancing the reliability and consistency of the system. Degradation of the LED or phototransistor is compensated for each time the system is calibrated allowing the system to provide a known, consistent output level resulting in years of consistent quality. The OCB350 series are designed to maintain the calibrated setting even if power is lost. This allows faster startup without the need for calibration every time the device is initiated. The designer can initiate the calibration procedure at any time by momentarily grounding J1-Pin-4 (green wire). This allows the device to be remotely calibrated then mounted in the equipment.

The PCBoard has a set of shorting pins allowing the user to change the phototransistor load resistor. By arranging the shorting bar to the appropriate location (see table), the load resistance can be changed from approximately 2.5K to 27 K W. Increasing the load resistor increases the sensitivity of the device.

When the “Calibrate” pin (#4) is momentarily grounded, the system begins its calibration process and raises the current through the LED, from 0 mA to 14 mA, until the phototransistor reaches the preset calibration point. A green calibration light will blink during the initiation and will stop when the preset phototransistor output level is reached. At this time, the LED drive current is locked and maintained until Reset/Clear pin is momentarily grounded. If for some reason, the LED drive current reaches the maximum allowable value, a RED warning light will be turned on. During the calibration process, remote monitoring of J1-Pin3 allows the designer to ensure the system is calibrated (this output should be at the preset calibrated output level when the calibration procedure is completed). The phototransistor load resistor may need to be adjusted to allow the system to calibrate properly.

After the calibration process is complete, the device is ready for acknowledgement of a change in the signal. The design engineer can monitor either the Analog Output (J1-Pin 5) or Logical Output (J1-Pin 2 or J1-Pin 3).

The Logical output will change state once the preset optical light condition is reached. The “Logic Out B” switches when the optical signal increases above approximately 2/3 of V_{CC} while “Logic Out A” switches when the optical signal decreases below approximately 1/3 of V_{CC} .

As with all optical devices, the switching condition is consistent with the phototransistor receiving a preset light level. This switching position and light level may vary dependent on several possible factors such as:

- Ambient light variation ((reduced or eliminated with periodic recalibration)
- LED and phototransistor pair degradation (eliminated with periodic recalibration)
- Contamination in front of either the LED or phototransistor (reduced or eliminated with periodic cleaning)
- System power variation (reduced or eliminated with periodic recalibration)
- Temperature changes (reduced or eliminated with periodic recalibration)

Electrical Specifications

Absolute Maximum Ratings OCB350 Series ($T_A = 25^\circ\text{C}$ unless otherwise noted)

Storage & Operating Temperature Range	0°C to +70°C
Lead Soldering Temperature [1/16 inch (1.6mm) from the case for 5 sec. with soldering iron]	260°C

Electrical Characteristics OCB350 Series ($T_A = 25^\circ\text{C}$ unless otherwise noted)

Symbol	Parameter	Min	Max	Units	Conditions
V_{CC}	Supply Voltage	4.75	5.25	V	
I_{CC}	Supply Current	-	35	mA	$V_{CC} = 5.0$ Volts
V_{OL}	Low Level Output Voltage ⁽¹⁾	-	1.2	V	$V_{CC} = 5.0$ Volts, $V_{OUT} < 2.2$ Volts
V_{OH}	High Level Output Voltage ⁽¹⁾	3.5	-	V	$V_{CC} = 5.0$ Volts, $V_{OUT} > 2.8$ Volts

Notes:

1. Pins 2 and 3 logic outputs only.

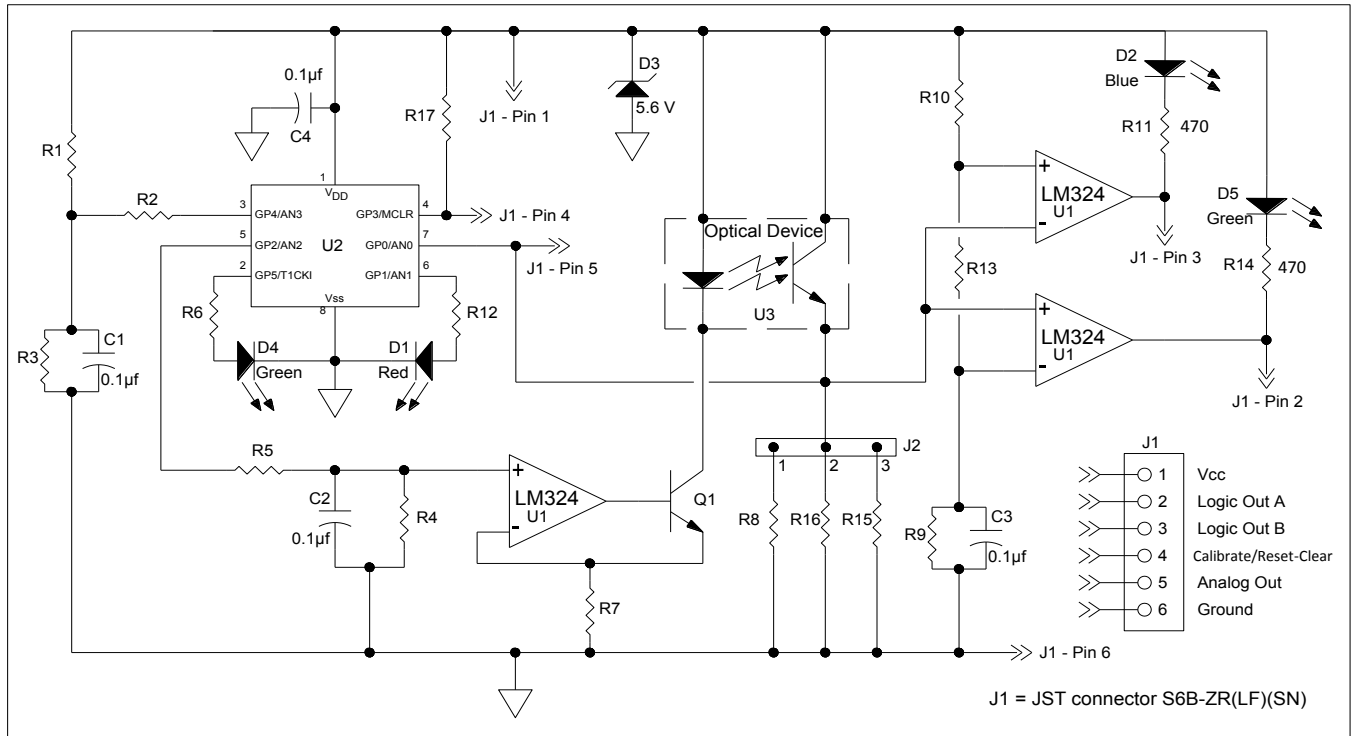
Tube Liquid Sensor

OPB350 / OCB350 Series

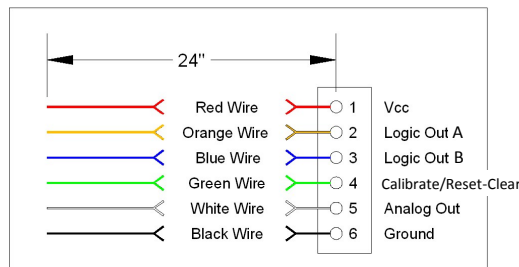
(Calibration Circuit Available)



Schematic for OCB100 PCBoard



OCB100-MC24
(not sold separately)



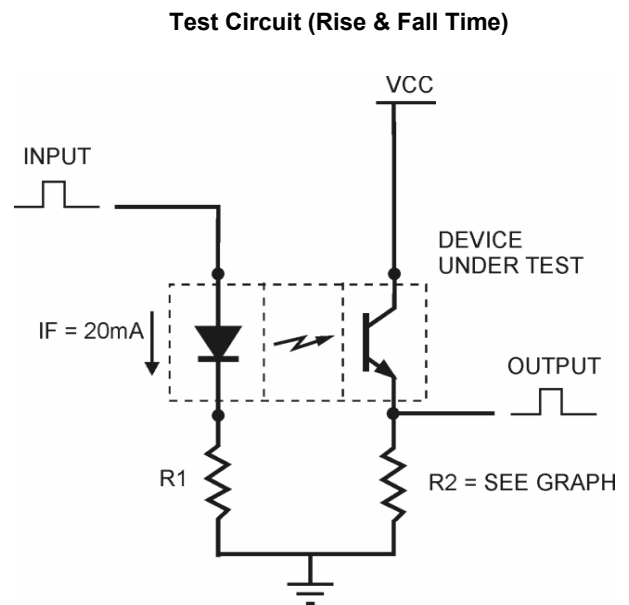
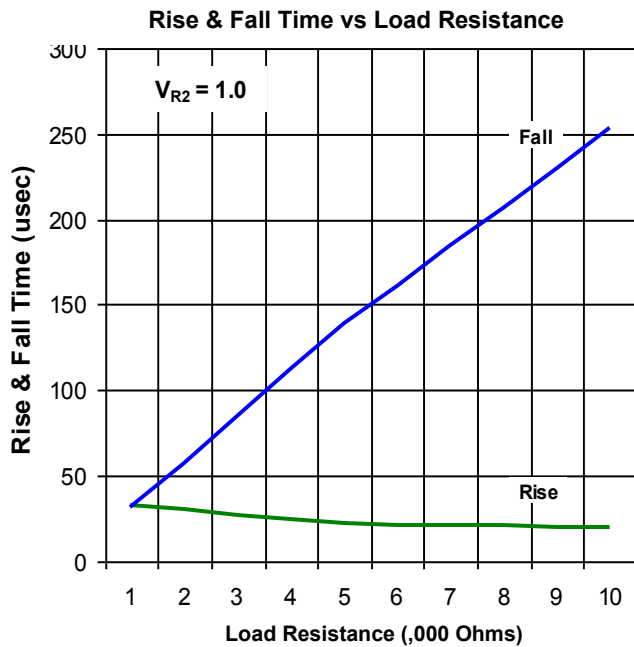
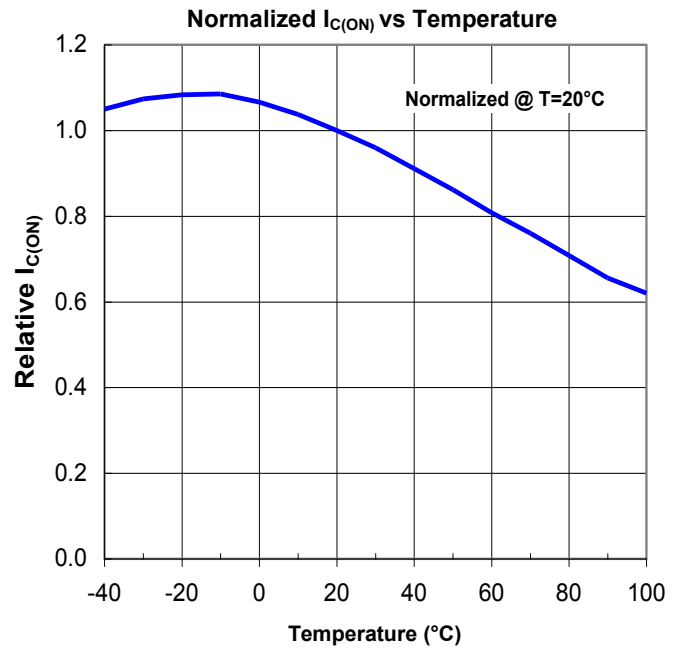
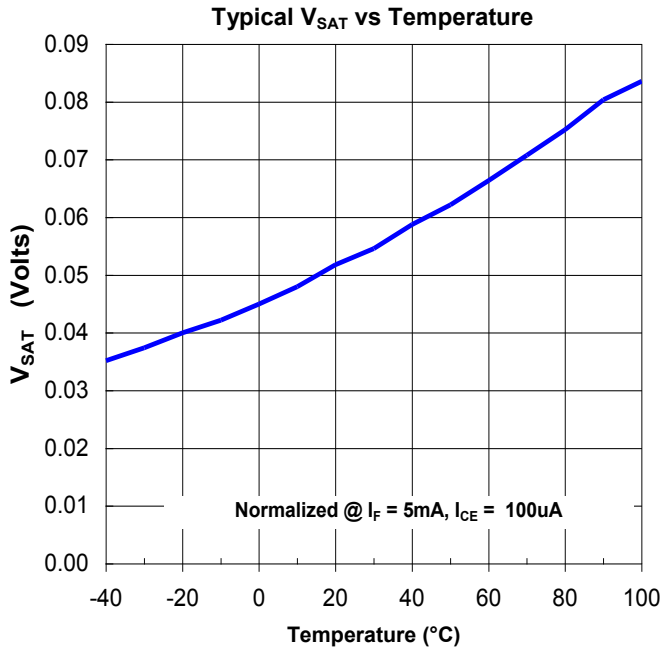
General Note
TT Electronics reserves the right to make changes in product specification without notice or liability. All information is subject to TT Electronics' own data and is considered accurate at time of going to print.

OPTEK Technology, Inc.
1645 Wallace Drive, Carrollton, TX 75006 | Ph: +1 972 323 2200
www.optekinc.com | www.ttelectronics.com

Tube Liquid Sensor

OPB350 / OCB350 Series

(Calibration Circuit Available)



General Note
 TT Electronics reserves the right to make changes in product specification without notice or liability. All information is subject to TT Electronics' own data and is considered accurate at time of going to print.

OPTEK Technology, Inc.
 1645 Wallace Drive, Carrollton, TX 75006 | Ph: +1 972 323 2200
www.optekinc.com | www.ttelectronics.com



Компания «ЭлектроПласт» предлагает заключение долгосрочных отношений при поставках импортных электронных компонентов на взаимовыгодных условиях!

Наши преимущества:

- Оперативные поставки широкого спектра электронных компонентов отечественного и импортного производства напрямую от производителей и с крупнейших мировых складов;
- Поставка более 17-ти миллионов наименований электронных компонентов;
- Поставка сложных, дефицитных, либо снятых с производства позиций;
- Оперативные сроки поставки под заказ (от 5 рабочих дней);
- Экспресс доставка в любую точку России;
- Техническая поддержка проекта, помощь в подборе аналогов, поставка прототипов;
- Система менеджмента качества сертифицирована по Международному стандарту ISO 9001;
- Лицензия ФСБ на осуществление работ с использованием сведений, составляющих государственную тайну;
- Поставка специализированных компонентов (Xilinx, Altera, Analog Devices, Intersil, Interpoint, Microsemi, Aeroflex, Peregrine, Syfer, Eurofarad, Texas Instrument, Miteq, Cobham, E2V, MA-COM, Hittite, Mini-Circuits, General Dynamics и др.);

Помимо этого, одним из направлений компании «ЭлектроПласт» является направление «Источники питания». Мы предлагаем Вам помощь Конструкторского отдела:

- Подбор оптимального решения, техническое обоснование при выборе компонента;
- Подбор аналогов;
- Консультации по применению компонента;
- Поставка образцов и прототипов;
- Техническая поддержка проекта;
- Защита от снятия компонента с производства.



Как с нами связаться

Телефон: 8 (812) 309 58 32 (многоканальный)

Факс: 8 (812) 320-02-42

Электронная почта: org@eplast1.ru

Адрес: 198099, г. Санкт-Петербург, ул. Калинина, дом 2, корпус 4, литера А.