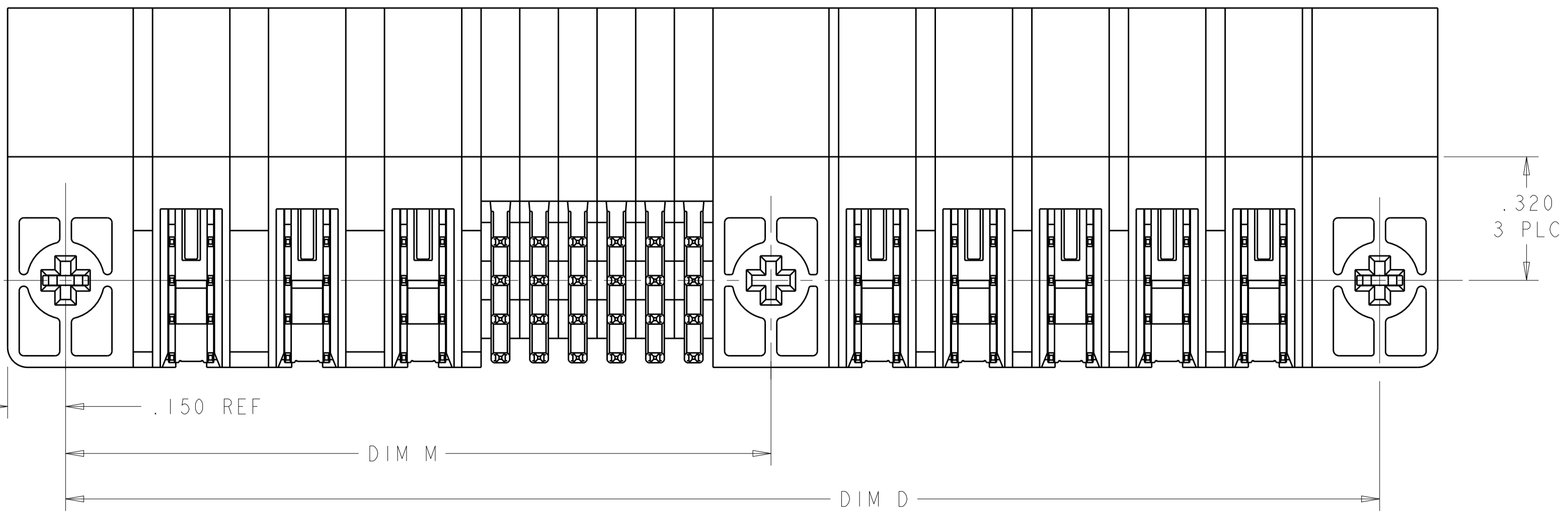
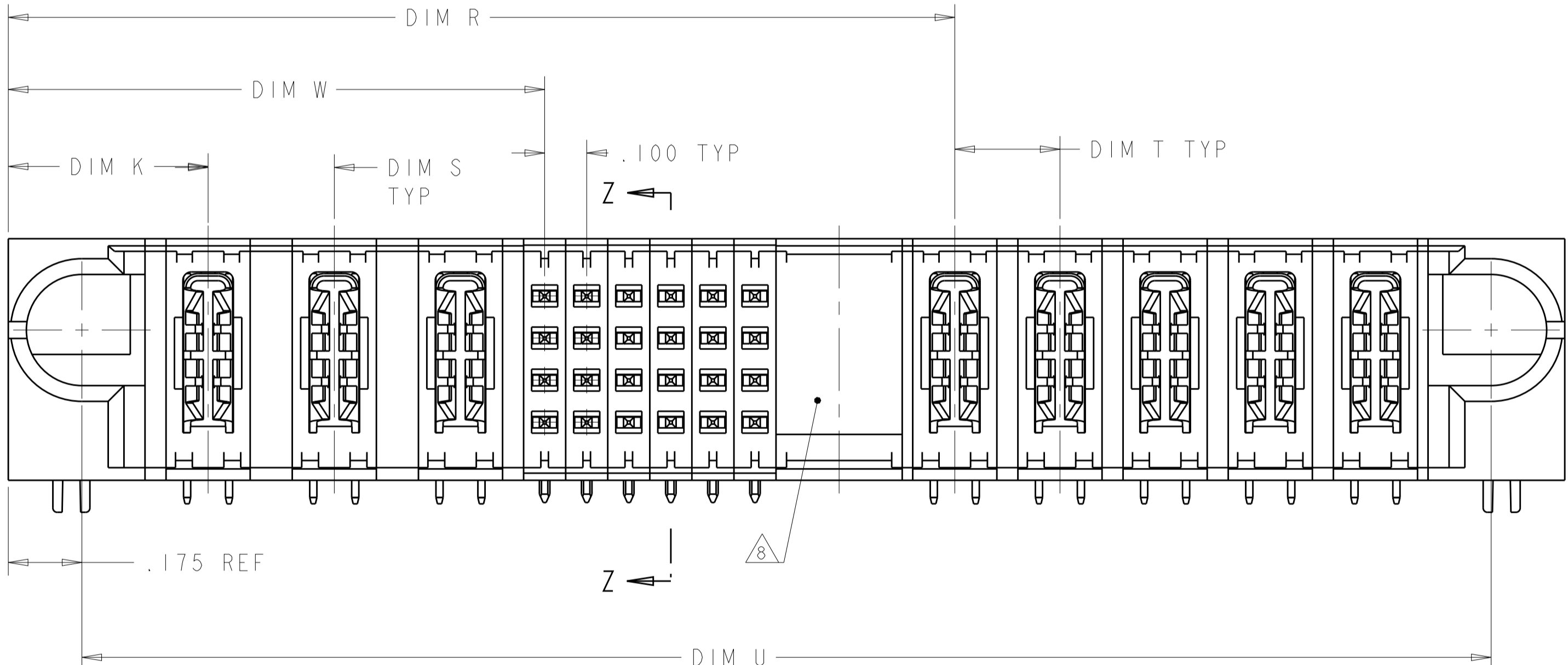
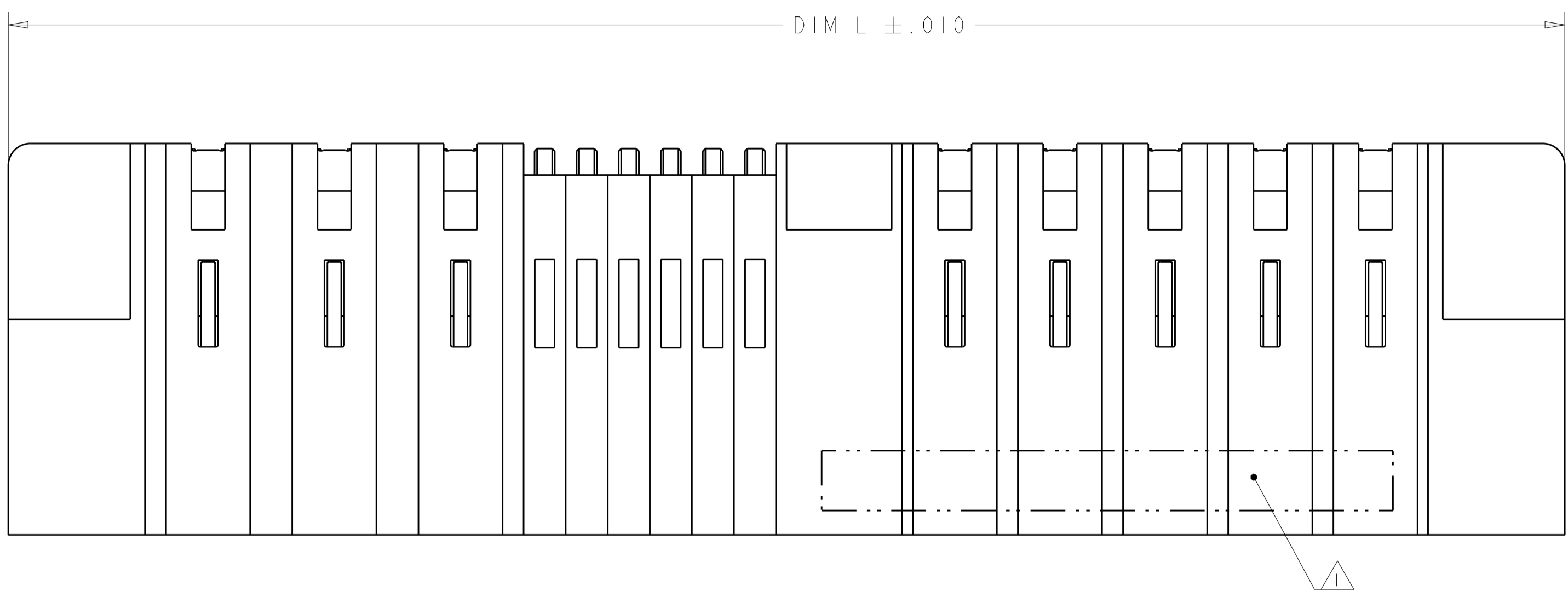
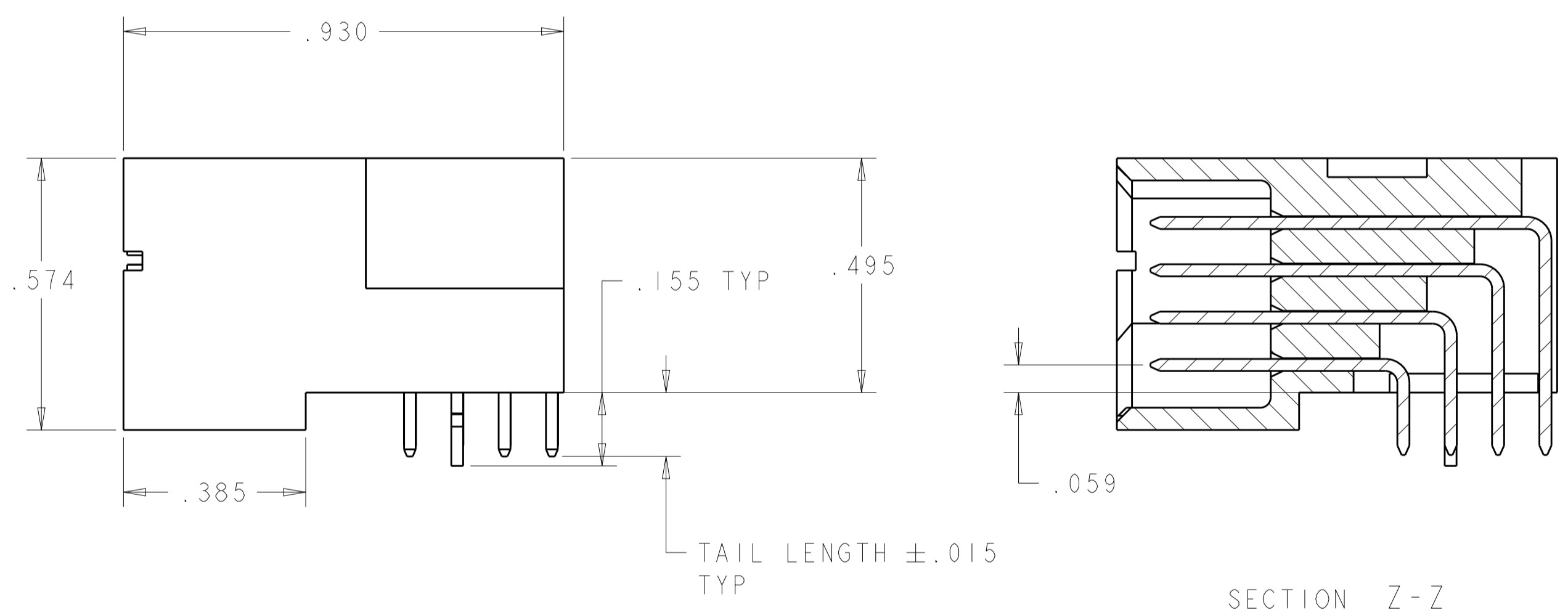


LOC	DIST	REVISIONS					
		P	LTN	DESCRIPTION	DATE	DWN	APVD
ES	00	M1		ADD NEW DASH NUMBER 7-0	08FEB2014	AL	SZ
		M2		ADD NEW DASH NUMBER	21MAR2014	AL	SZ



- 1 "AMP" PART NUMBER AND DATE CODE TO BE MARKED IN AREA SHOWN. PARTS UNDER 2.500 LONG MAY BE MARKED ON BOTH SIDES.
- 2 MATERIAL: HOUSING - GLASS FILLED HIGH TEMP THERMO PLASTIC, UL 94 V-0
 SIGNAL CONTACT - COPPER ALLOY
 POWER CONTACT - HIGH CONDUCTIVITY COPPER ALLOY.
- 3 CONTACT FINISHE:
 NOBLE METAL PLATED ON THE CONTACT FUNCTIONAL AREA OF POWER AND SIGNAL CONTACTS.
- 4 MECHANICAL CONNECTOR KEEP OUT ZONE. WHEN PLACING CONNECTORS END-TO-END, ALLOW ADDITIONAL 0.1 CLEARANCE BETWEEN CONNECTORS FOR LATCH ACTIVATION.
- 5 DATUM AND BASIC DIMENSIONS ESTABLISHED BY CUSTOMER.
- 6 PCB - ALL HOLE DIAMETERS ARE FINISHED HOLE SIZES.
- 7 PCB - .0453 \pm .0010 DRILLED HOLES PLATED WITH .0003 MIN Sn OVER .001 TO .003 Cu PLATING TO ACHIEVE A .040 DIA HOLE.
- 8 OPTIONAL CENTER MODULE WITH \varnothing .150 THRU HOLE OR HOLD DOWN FEATURE.



THIS DRAWING IS A CONTROLLED DOCUMENT.

DWN: R.GRZYBOWSKI 02FEB05
 CHK: M.PERCHEKKE 02FEB05
 APVD: M.PERCHEKKE 02FEB05

STE TE Connectivity

NAME: RIGHT ANGLE HEADER W/GUIDES ASSEMBLY MULTI-BEAM XL

PRODUCT SPEC: 108-1973
 APPLICATION SPEC: 114-13038

SIZE: A1
 CAGE CODE: 6450120
 DRAWING NO: 100779

RESTRICTED TO: -

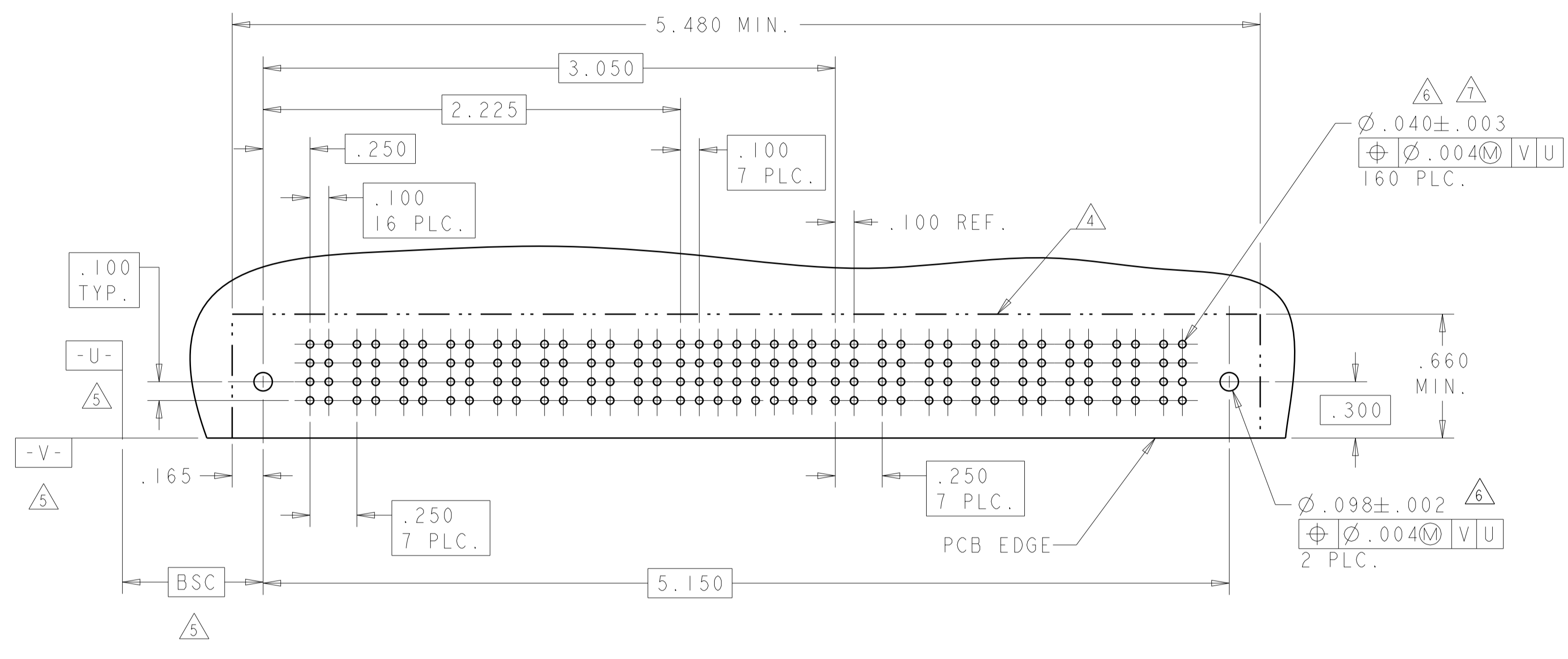
MATERIAL: FINISH:

CUSTOMER DRAWING

SCALE: 4:1 SHEET 1 OF 24 REV: M2

LOC	DIST	REVISIONS			
ES	00	REV	DATE	BY	APPV
		1			
		SEE SHEET 1			

PART NUMBER	ROWS	POWER							SIGNAL								POWER												
		P1	P2	P3	P4	P5	P6	P7	P8	1	2	3	4	5	6	7	8	P9	P10	P11	P12	P13	P14	P15	P16				
6450120-1	D C B A	PM	PM	PM	PM	PM	PM	PM	J	J	J	J	J	J	J	J	PM	PM	PM	PM	PM	PM	PM	PM					
									K	K	K	K	K	K	K	K													
									S	S	S	S	S	S	S	S													
8P + 32S + 8P																													

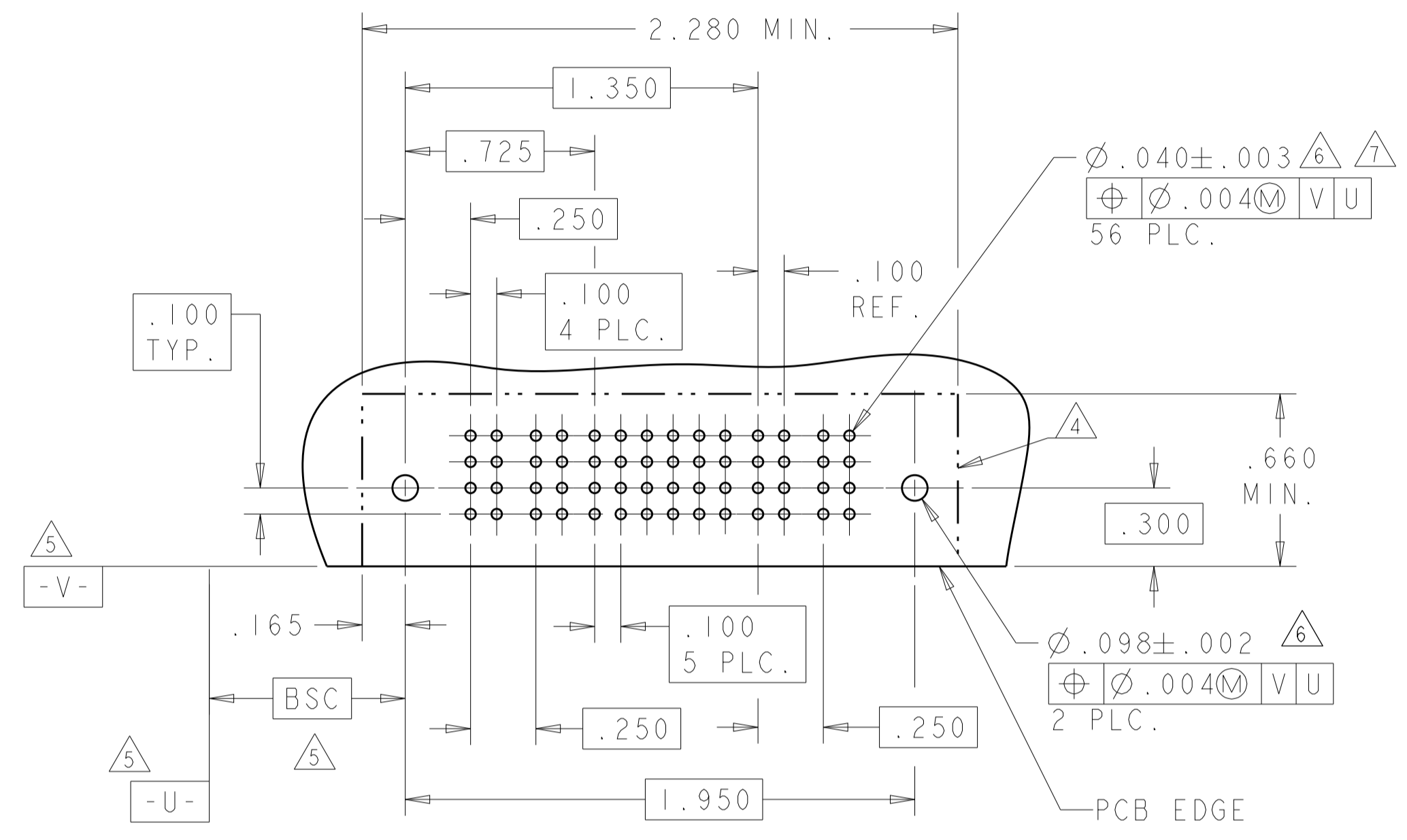


U	S	T	R	W	D	M	L	K	DESCRIPTION	PART NUMBER
1.700	.250	.250	1.300	.875	1.750	-	2.050	.450	2P+16S+2P	7-6450120-1
2.700	.200	-	2.600	1.425	2.750	-	3.050	.450	5P + 44S + 1P	7-6450120-0
1.100	-	-	1.000	.625	1.150	-	1.450	.450	1P+12S+1P	6-6450120-9
1.000	-	-	.900	.625	1.050	-	1.350	.450	1P + 8S + 1P	6-6450120-8
2.850	.300	.200	2.125	1.825	2.900	-	3.200	.450	7HDP + 8S + 3ACP	6-6450120-7
2.650	.250	.200	1.550	.875	2.700	-	3.000	.450	2P + 24S + 6P	6-6450120-6
2.300	.300	.250	1.950	1.275	2.350	-	2.650	.475	3ACP + 24S + 2P	6-6450120-5
3.100	.250	.250	2.250	1.875	3.150	-	3.450	.450	6P + 12S + 4P	6-6450120-4
2.400	.250	.250	1.800	1.125	2.450	-	2.750	.475	3P + 24S + 3P	6-6450120-1
3.000	.300	.250	1.650	1.325	3.050	-	3.350	.475	3ACP + 8S + 6P	6-6450120-0
1.900	.300	.250	1.550	1.275	1.950	-	2.250	.475	3ACP + 8S + 2P	5-6450120-9
2.800	-	-	-	0.375	2.850	-	3.150	-	100S	5-6450120-8
2.700	.250	.250	2.100	1.125	2.750	-	3.050	.450	3P + 36S + 3P	5-6450120-7
1.100	-	-	1.000	.625	1.150	-	1.450	.450	1P + 12S + 1P	5-6450120-6
3.250	.300	.250	2.525	2.175	3.300	-	3.600	.450	7P + 8S + 3ACP	5-6450120-5
2.400	.250	.250	1.550	.875	2.450	-	2.750	.450	2P + 24S + 4P	5-6450120-3
5.400	.300	.300	2.875	2.175	5.450	-	5.750	.475	6P + 24S + 9P	5-6450120-2
3.800	.250	.300	1.875	1.375	3.850	-	4.150	.450	4P + 16S + 7ACP	5-6450120-0
1.600	.250	.250	1.250	.875	1.650	-	1.950	.450	2P + 12S + 2P	4-6450120-9
2.900	.250	.250	2.050	1.375	2.950	-	3.250	.450	4P + 24S + 4P	4-6450120-8
1.900	.250	.250	1.550	0.875	1.950	-	2.250	.450	2P + 24S + 2P	4-6450120-7
2.000	.250	.250	1.400	1.125	2.050	-	2.350	.450	3P + 8S + 3P	4-6450120-6
2.900	.250	.250	3.550	2.875	5.950	-	6.250	.450	10P + 24S + 10P	4-6450120-5
3.700	.200	.300	2.700	2.025	3.750	-	4.050	.450	8P + 24S + 4ACP	4-6450120-4
2.900	.300	.250	2.050	1.575	2.950	-	3.250	.475	4ACP+16S+4P	4-6450120-3
4.375	.250	.300	3.375	2.375	4.425	3.100	4.725	.450	8P + 24S + 1M + 4ACP	4-6450120-2
4.100	.300	.250	2.250	1.575	4.150	-	4.450	.475	4ACP + 24S + 8P	4-6450120-0
3.800	.250	.250	3.450	.875	3.850	-	4.150	.450	2P + 100S + 2P	3-6450120-6
4.600	.250	.250	3.250	1.875	4.650	-	4.950	.450	6P + 52S + 6P	3-6450120-5
5.100	.250	.250	3.500	2.175	5.150	-	5.450	.450	7P + 48S + 7P	3-6450120-4
3.500	.250	.300	2.775	2.375	3.550	-	3.850	.450	8P + 12S + 3ACP	3-6450120-3
4.000	.200	.200	2.700	1.825	4.050	-	4.350	.450	7HDP + 32S + 7HDP	3-6450120-0
3.900	.250	.250	2.550	1.875	3.950	-	4.250	.450	6P + 24S + 6P	2-6450120-7
5.200	.300	.250	2.350	1.625	5.250	-	5.550	.475	4ACP + 24S + 12P	2-6450120-6
2.500	.250	.250	2.150	1.425	2.550	-	2.850	.450	4P + 24S + 2P	2-6450120-5
3.600	.250	.250	2.500	1.625	3.650	-	3.950	.450	5P + 32S + 5P	2-6450120-4
2.500	.250	.250	2.150	.875	2.550	-	2.850	.450	2P + 48S + 2P	2-6450120-3
4.500	.300	.250	1.650	.975	4.550	-	4.850	.475	2ACP + 24S + 12P	2-6450120-2
2.850	.250	.250	2.000	1.125	2.900	-	3.200	.450	3P + 32S + 4P	2-6450120-1
3.950	.200	.250	2.125	1.025	4.000	-	4.300	.425	3P + 40S + 8P	2-6450120-0
1.400	-	-	1.300	.625	1.450	-	1.750	.450	1P + 24S + 1P	1-6450120-6
2.000	.300	.300	1.575	.975	2.050	-	2.350	.475	2P + 20S + 2P	1-6450120-4
1.200	-	-	1.100	.625	1.250	-	1.550	.450	1P + 16S + 1P	1-6450120-3
2.400	.250	.250	1.800	1.125	2.450	-	2.750	.450	3P + 24S + 3P	1-6450120-2
2.675	.200	.200	2.375	1.650	2.725	-	3.025	.450	5P + 24S + 2P	1-6450120-1
4.350	.250	.250	3.500	2.625	4.400	-	4.700	.450	9P + 32S + 4P	1-6450120-0
4.150	.250	.250	2.800	2.125	4.200	-	4.500	.450	7P + 24S + 6P	6450120-9
2.800	.250	.300	2.075	1.375	2.850	-	3.150	.450	4P + 24S + 3ACP	6450120-8
3.050	.300	.250	1.950	1.275	3.100	-	3.400	.475	3ACP + 24S + 5P	6450120-7
7.400	.250	.250	5.050	2.875	7.450	-	7.750	.450	10P + 84S + 10P	6450120-6
4.350	.250	.250	3.000	2.125	4.400	-	4.700	.450	7P + 32S + 6P	6450120-5
3.650	.250	.250	2.550	1.875	3.700	-	4.000	.450	6P + 24S + 5P	6450120-4
2.900	.250	.250	1.800	1.125	2.950	-	3.250	.450	3P + 24S + 5P	6450120-3
1.900	.250	.250	1.550	0.875	1.950	-	2.250	.450	2P + 24S + 2P	6450120-2
5.100	.250	.250	3.250	2.375	5.150	-	5.450	.450	8P + 32S + 8P	6450120-1

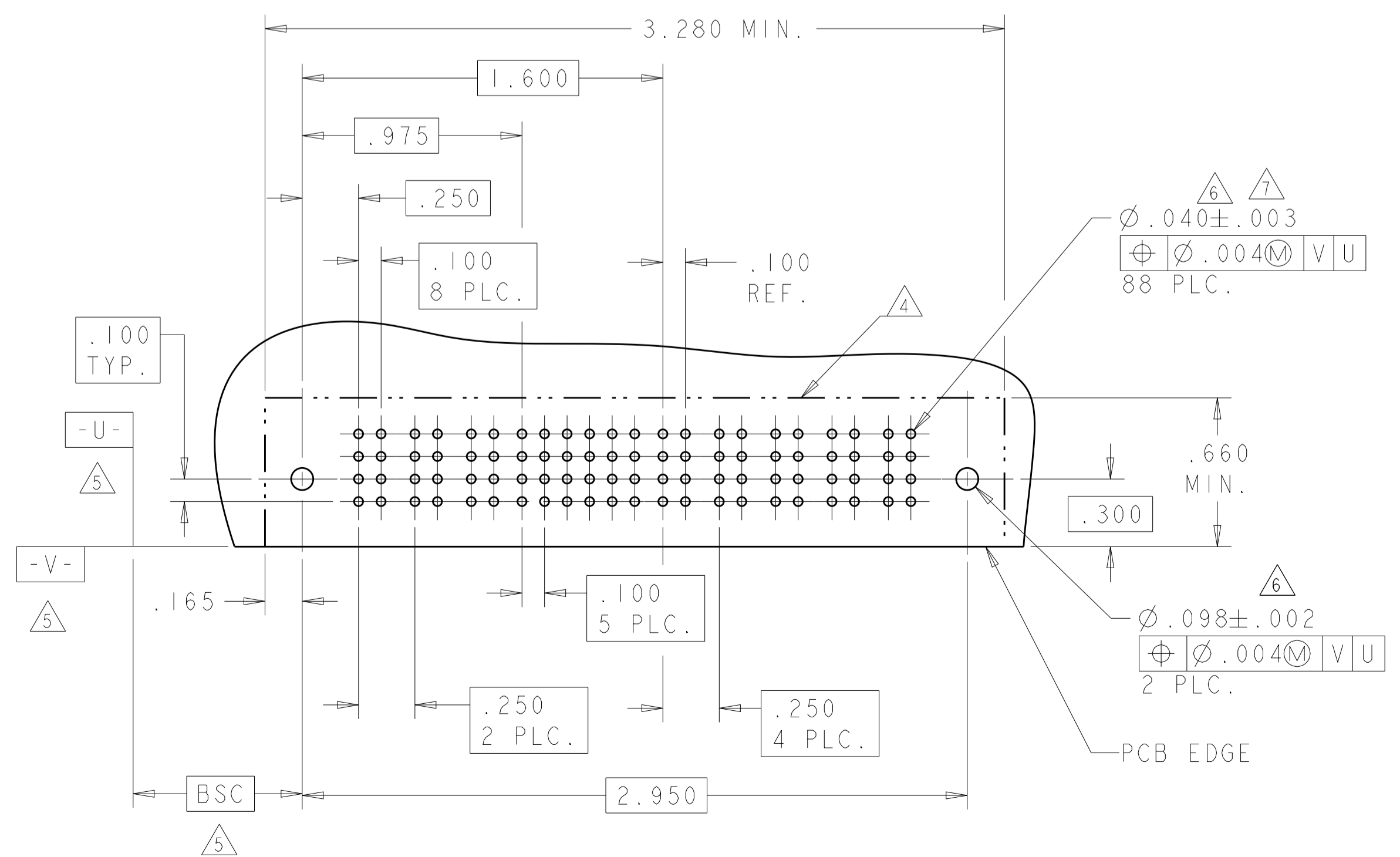
THIS DRAWING IS A CONTROLLED DOCUMENT. DIMENSIONS: INCHES. TOLERANCES UNLESS OTHERWISE SPECIFIED: 0 PLC ±.01, 1 PLC ±.01, 2 PLC ±.01, 3 PLC ±.005, 4 PLC ±.002, ANGLES ±.020. MATERIAL: FINISH: THIS DRAWING IS A CONTROLLED DOCUMENT. DWG: R. GRZYBOWSKI, CHK: M. PERCHERKE, APVD: M. PERCHERKE. NAME: RIGHT ANGLE HEADER W/GUIDES ASSEMBLY MULTI-BEAM XL. SIZE: A100779, CAGE CODE: 6450120, SCALE: 4:1, SHEET 2 OF 24, REV: M2.

REV ISIONS		DESCRIPTION			DATE	DWN	APVD
ES	00	SEE SHEET 1					

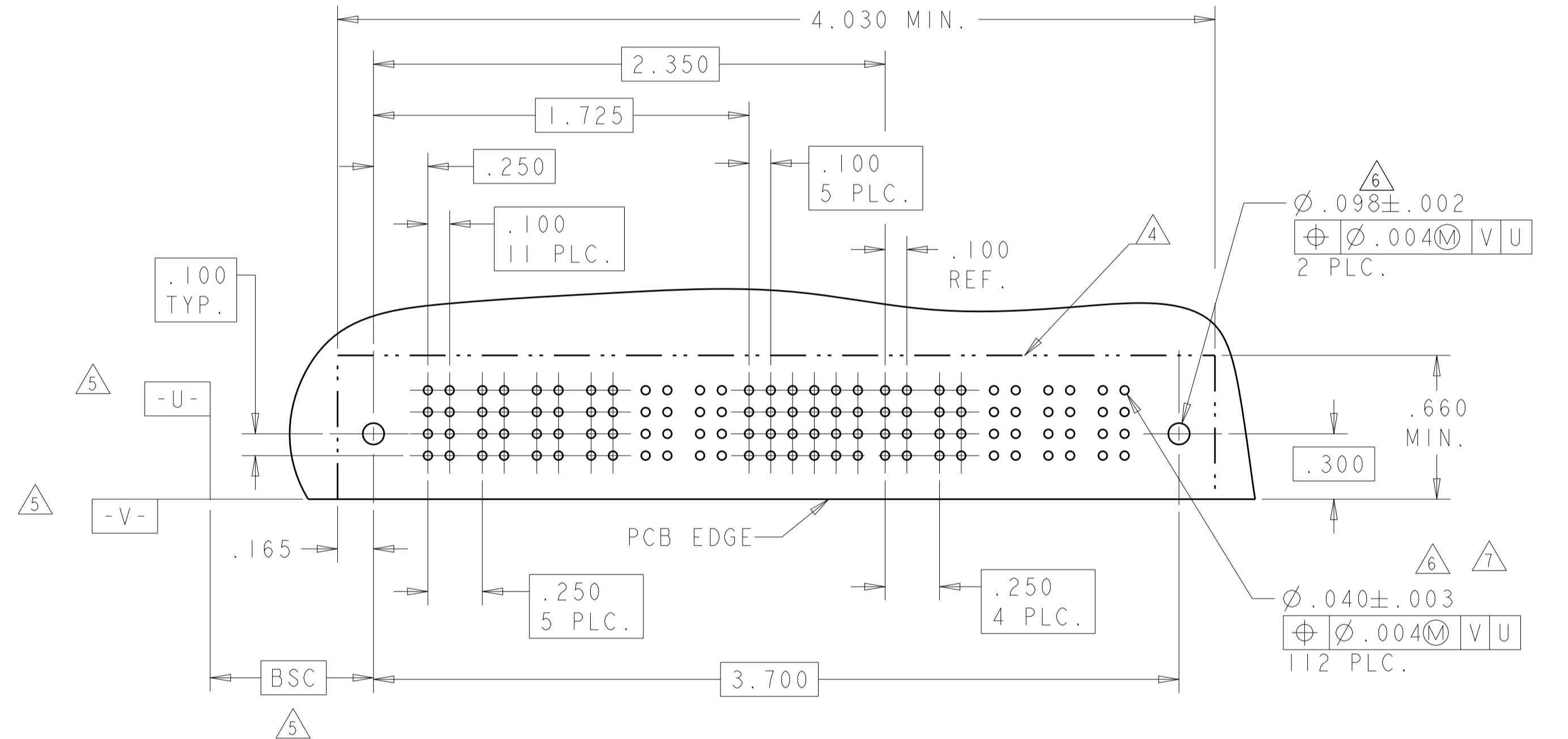
PART NUMBER	ROWS	HD	POWER		SIGNAL						POWER		HD	
			P1	P2	1	2	3	4	5	6	P3	P4		
6450120-2	D	A	PM	PM	J	J	J	J	J	J			PM	PM
	C				K	K	K	K	K	K				
	B				N	N	N	N	N	N				
	A				S	S	S	S	S	S				
2P + 24S + 2P														



PART NUMBER	ROWS	HD	POWER			SIGNAL						POWER					HD			
			P1	P2	P3	1	2	3	4	5	6	P4	P5	P6	P7	P8				
6450120-3	D	A	PM	PM	PM	J	J	J	J	J	J					PM	PM	PM	PM	PM
	C					K	K	K	K	K	K									
	B					N	N	N	N	N	N									
	A					S	S	S	S	S	S									
3P + 24S + 5P																				



PART NUMBER	ROWS	HD	POWER						SIGNAL						POWER					HD			
			P1	P2	P3	P4	P5	P6	1	2	3	4	5	6	P7	P8	P9	P10	P11				
6450120-4	D	A	PM	PM	PM	PM	PM	PM	J	J	J	J	J	J					PM	PM	PM	PM	PM
	C									K	K	K	K	K	K								
	B									N	N	N	N	N	N								
	A									S	S	S	S	S	S								
6P + 24S + 5P																							



H	MLBF	.135	A
G	MLBF	.135	B
F	MLBF	.135	C
E	MLBF	.135	D
L4	STD	.165	D
L3	STD	.165	B
L2	STD	.165	C
L1	STD	.165	A
Z	STD	.090	D
Y	STD	.090	C
R	STD	.090	B
O	STD	.090	A
F	MLBF	.135	C
G	MLBF	.135	B
J	STD	.135	D
K	STD	.135	C
N	STD	.135	B
S	STD	.135	A
CODE	MATING SEQUENCE	TAIL LENGTH	ROW
SIGNAL CONTACT			

PD	.165
PA	.090
PM	.135
CODE	TAIL LENGTH
POWER CONTACT	

THIS DRAWING IS A CONTROLLED DOCUMENT.

DWN: B. GRZYBOWSKI 02FEB05
 CHK: M. PERCHERKE 02FEB05
 APVD: M. PERCHERKE 02FEB05

STE TE Connectivity
 RIGHT ANGLE HEADER W/GUIDES ASSEMBLY MULTI-BEAM XL

DIMENSIONS: INCHES
 TOLERANCES UNLESS OTHERWISE SPECIFIED:
 0 PLC ±.
 1 PLC ±.01
 2 PLC ±.01
 3 PLC ±.01
 4 PLC ±.005
 5 PLC ±.005
 6 PLC ±.0020

MATERIAL: .
 FINISH: .

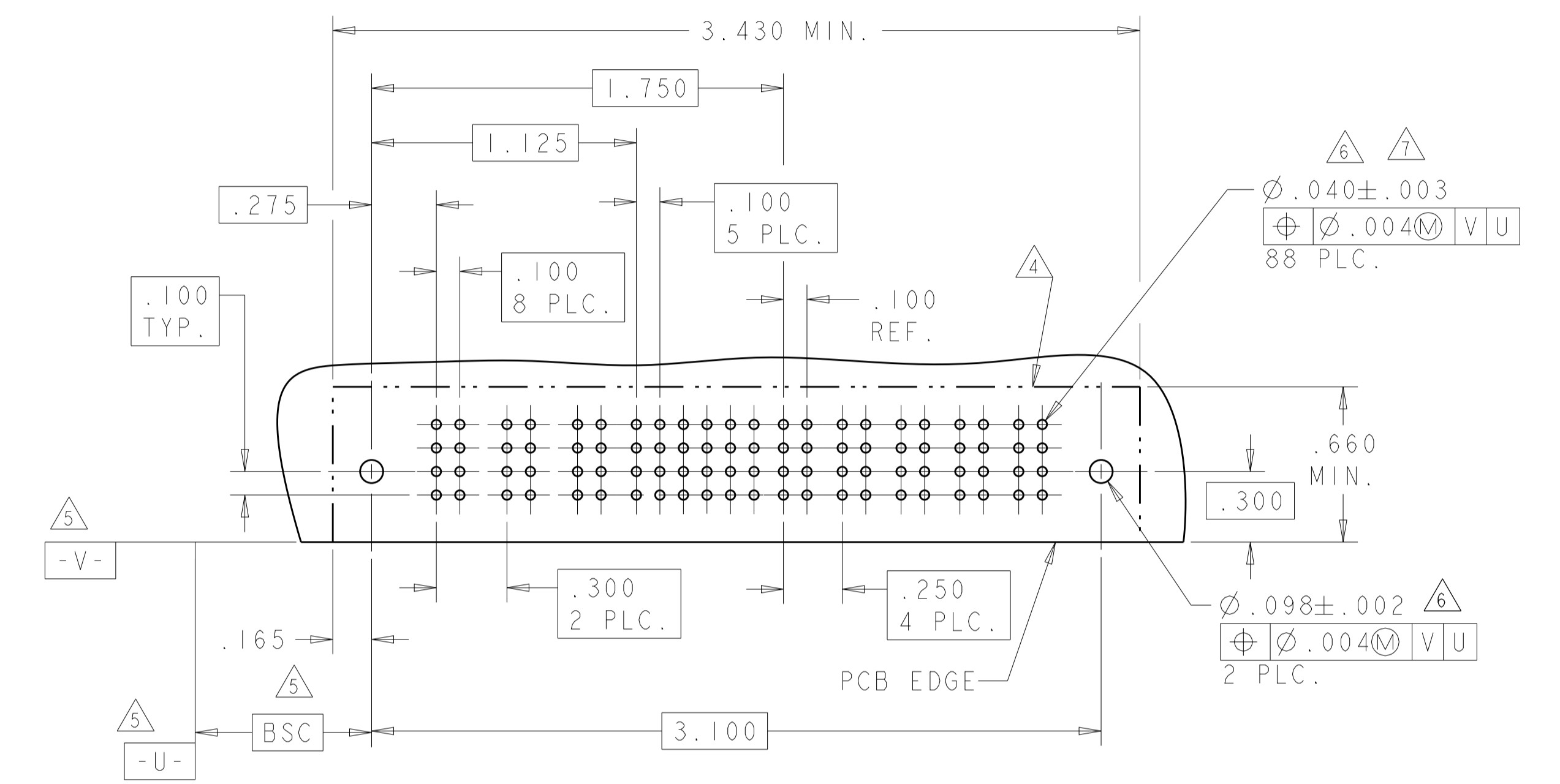
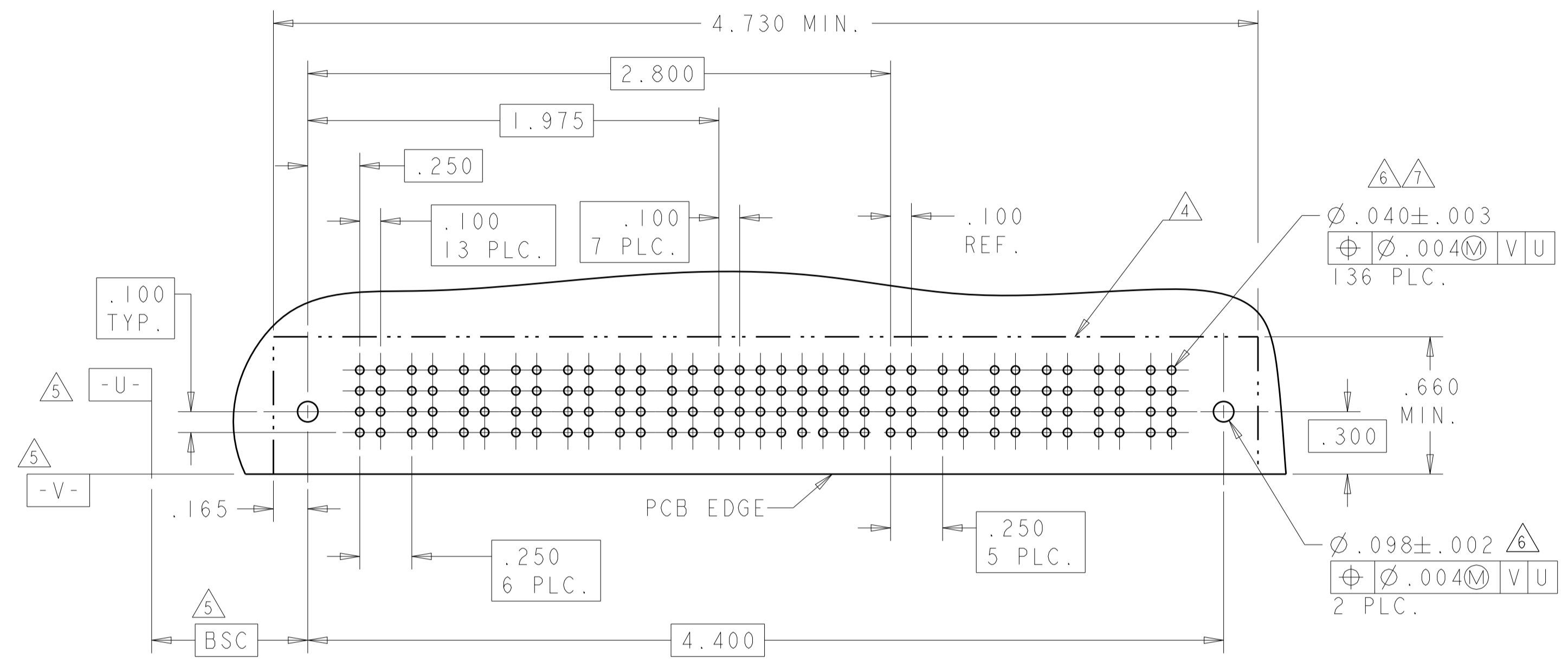
PRODUCT SPEC: 108-1973
 APPLICATION SPEC: 114-1303B
 WEIGHT: .
 CUSTOMER DRAWING: .

SIZE: A100779
 CAGE CODE: C=6450120
 DRAWING NO: .
 SHEET: 3 OF 24
 SCALE: 4:1
 REV: M2

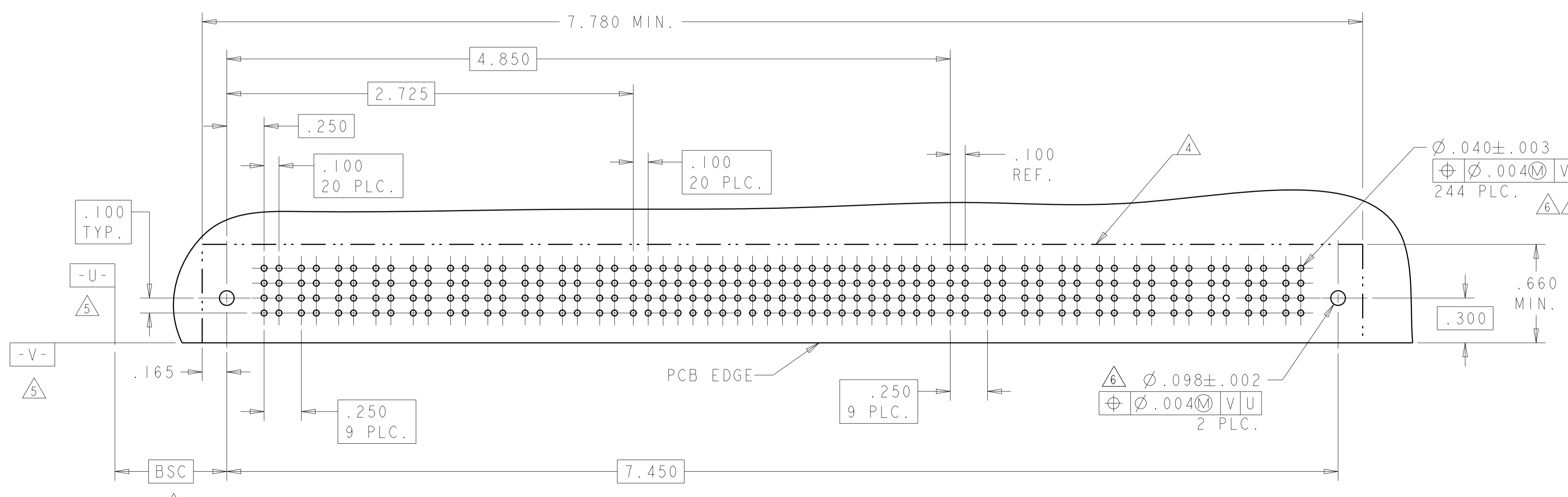
LOC		DIST		REVISONS	
ES	00	PLN		DESCRIPTION	DATE
				SEE SHEET 1	

PART NUMBER	ROWS	HD	POWER							SIGNAL								POWER						HD
			P1	P2	P3	P4	P5	P6	P7	1	2	3	4	5	6	7	8	P8	P9	P10	P11	P12	P13	
6450120-5	D C B A	HD	PM	PM	PM	PM	PM	PM	PM	J	J	J	J	J	J	J	J	PM	PM	PM	PM	PM	PM	HD
			K	K	K	K	K	K	K	K	N	N	N	N	N	N	N	N	N	N	N	N	N	
			S	S	S	S	S	S	S	S	S	S	S	S	S	S	S	S	S	S	S	S	S	

PART NUMBER	ROWS	HD	POWER			SIGNAL						POWER					HD	
			P1	P2	P3	1	2	3	4	5	6	P4	P5	P6	P7	P8		
6450120-7	D C B A	HD	PM	PM	PM	J	J	J	J	J	J	J	PM	PM	PM	PM	PM	HD
			K	K	K	K	K	K	K	K	N	N	N	N	N			
			S	S	S	S	S	S	S	S	S	S	S	S	S			



PART NUMBER	ROWS	HD	POWER										SIGNAL																					POWER										HD					
			P1	P2	P3	P4	P5	P6	P7	P8	P9	P10	1	2	3	4	5	6	7	8	9	10	11	12	13	14	15	16	17	18	19	20	21	P11	P12	P13	P14	P15	P16	P17	P18	P19	P20						
6450120-6	D C B A	HD	PM	PM	PM	PM	PM	PM	PM	PM	PM	PM	J	J	J	J	J	J	J	J	J	J	J	J	J	J	J	J	J	J	J	J	J	J	J	J	J	J	PM	PM	PM	PM	PM	PM	PM	PM	PM	PM	HD
			K	K	K	K	K	K	K	K	K	K	K	K	K	K	K	K	K	K	K	K	K	K	K	K	K	K	K	K	K	K	K	K	K	K	K	K	N	N	N	N	N	N	N	N	N	N	
			S	S	S	S	S	S	S	S	S	S	S	S	S	S	S	S	S	S	S	S	S	S	S	S	S	S	S	S	S	S	S	S	S	S	S	S	S	S	S	S	S	S	S	S	S	S	



DIMENSIONS:		TOLERANCES UNLESS OTHERWISE SPECIFIED:	
INCHES	0 PLC ± .	1 PLC ± .01	2 PLC ± .01
	3 PLC ± .005	4 PLC ± .005	5 PLC ± .002
	ANGLES ± .020		

APVD	ES	00	DATE		REV	APVD
DATE						

THIS DRAWING IS A CONTROLLED DOCUMENT.
 DIMENSIONS: INCHES
 TOLERANCES UNLESS OTHERWISE SPECIFIED:
 0 PLC ± .
 1 PLC ± .01
 2 PLC ± .01
 3 PLC ± .005
 4 PLC ± .005
 5 PLC ± .002
 ANGLES ± .020
 FINISH: *

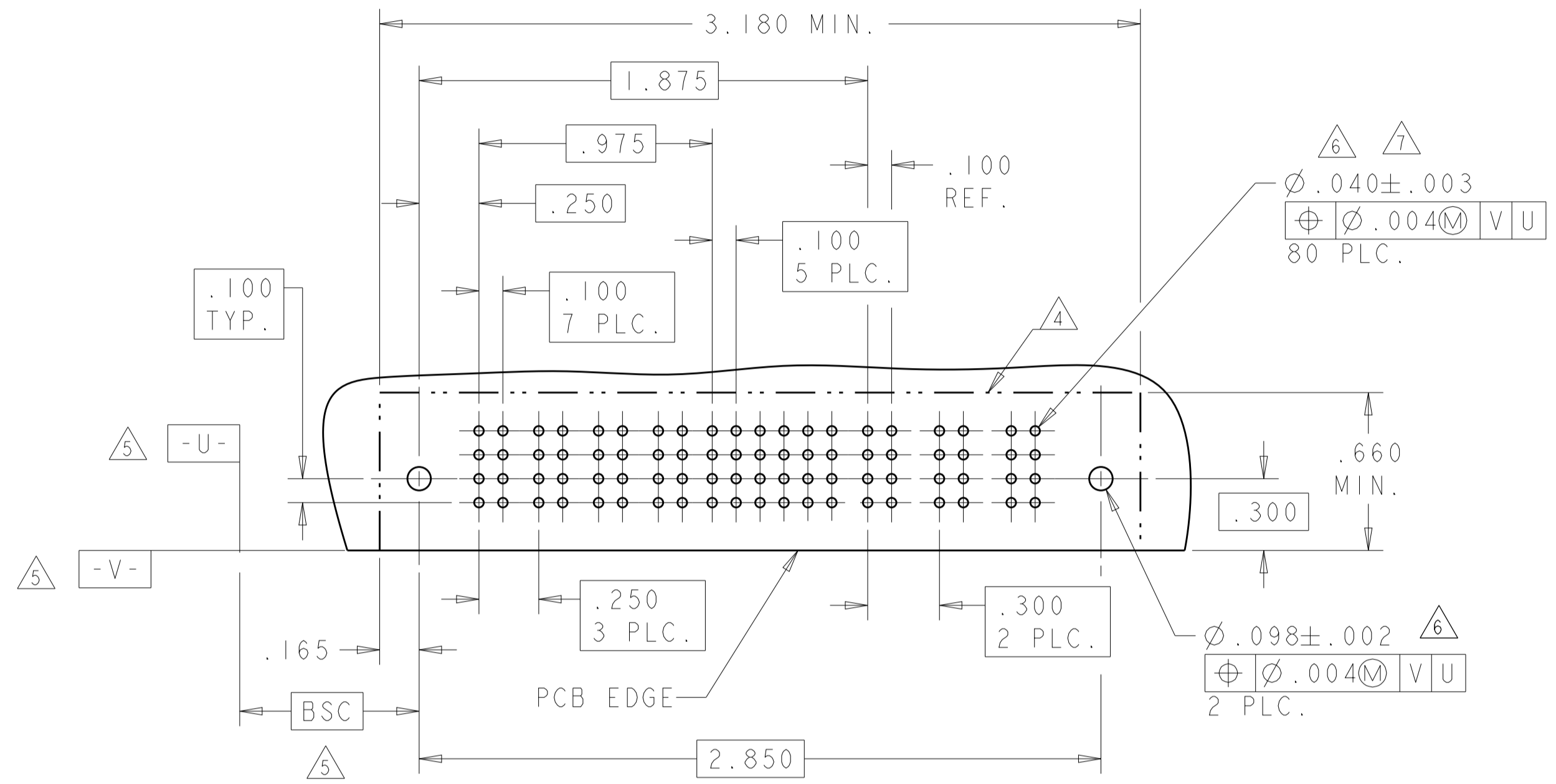
OWN	R. GRZYBOWSKI	02FEB05
CHK	M. PERCHERKE	02FEB05
APVD	M. PERCHERKE	02FEB05
NAME	RIGHT ANGLE HEADER W/GUIDES ASSEMBLY MULTI-BEAM XL	
PRODUCT SPEC	108-1973	
APPLICATION SPEC	114-13038	
WEIGHT	-	
CUSTOMER DRAWING	-	

STE TE Connectivity
 SIZE: CAGE CODE DRAWING NO: A100779
 RESTRICTED TO: 4 OF 24
 SCALE: 4:1
 SHEET 4 OF 24
 REV: M2

LOC	DIST	REVISIONS					
ES	00	P	LYN	DESCRIPTION	DATE	OWN	APVD
		-	-	SEE SHEET 1	-	-	-

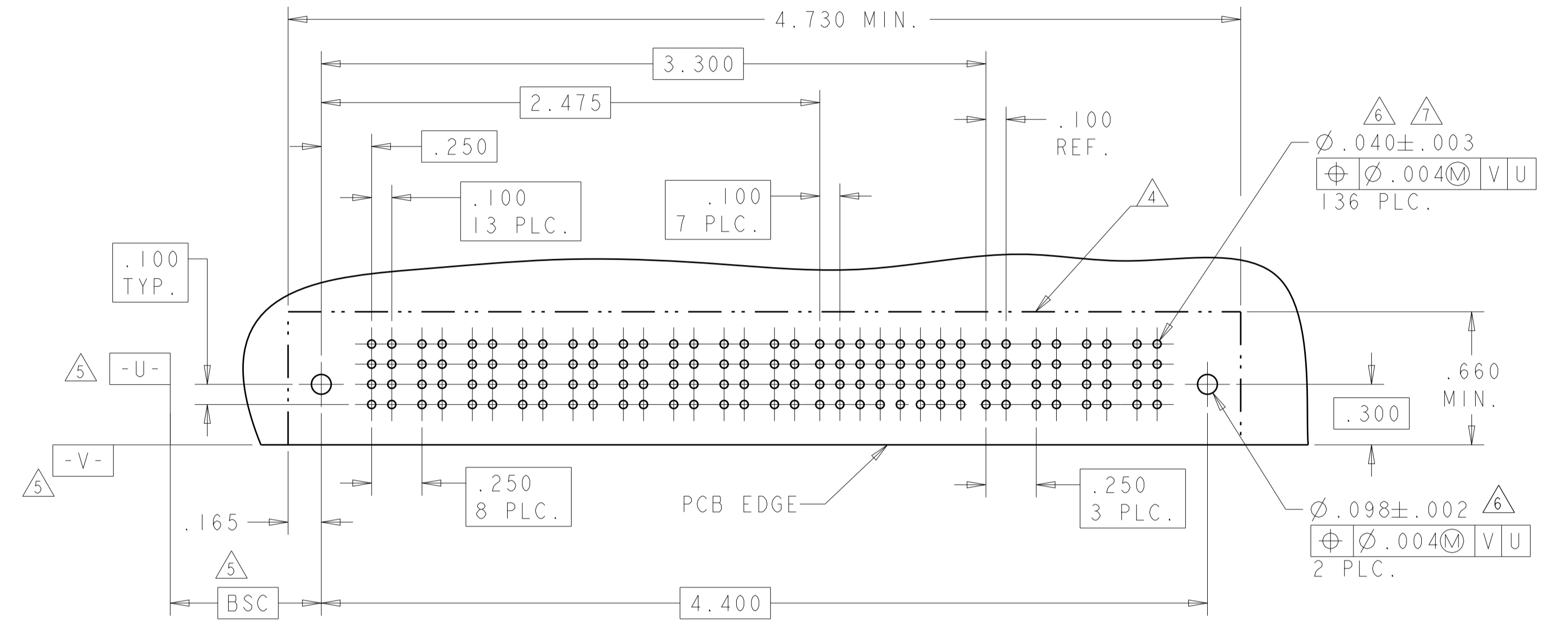
PART NUMBER	ROWS	POWER				SIGNAL						POWER		
		P1	P2	P3	P4	1	2	3	4	5	6	P5	P6	P7
6450120-8	D	PM	PM	PM	PM	J	J	J	J	J	J	PM	PM	PM
	C					K	K	K	K	K	K			
	B					N	N	N	N	N	N			
	A					S	S	S	S	S	S			

4P + 24S + 3ACP



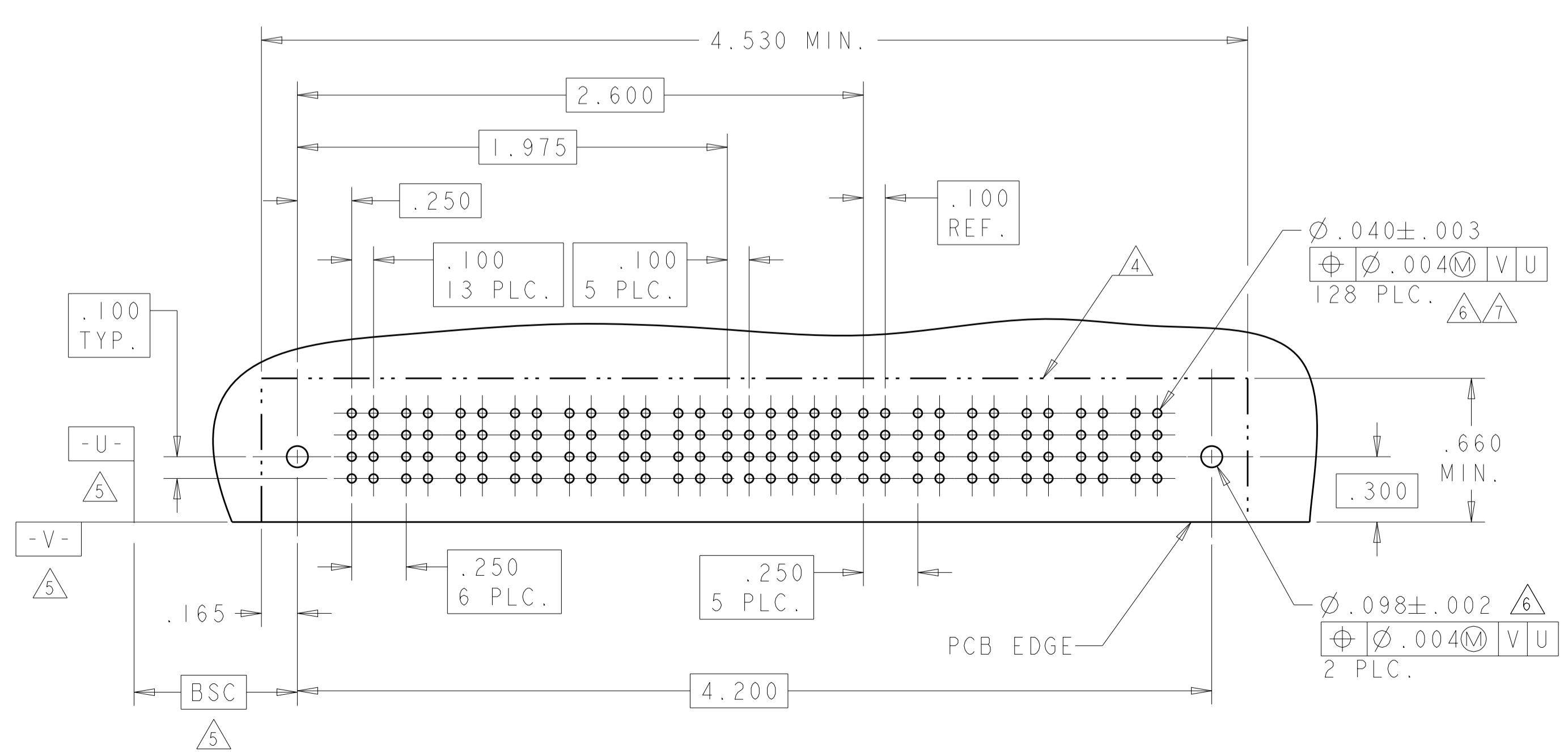
PART NUMBER	ROWS	POWER									SIGNAL								POWER			
		P1	P2	P3	P4	P5	P6	P7	P8	P9	1	2	3	4	5	6	7	8	P10	P11	P12	P13
1-6450120-0	D	PM	PM	PM	PM	PM	PM	PM	PM	PM	J	J	J	J	J	J	J	PM	PM	PM	PM	
	C										K	K	K	K	K	K	K					
	B										N	N	N	N	N	N	N					
	A										S	S	S	S	S	S	S					

9P + 32S + 4P



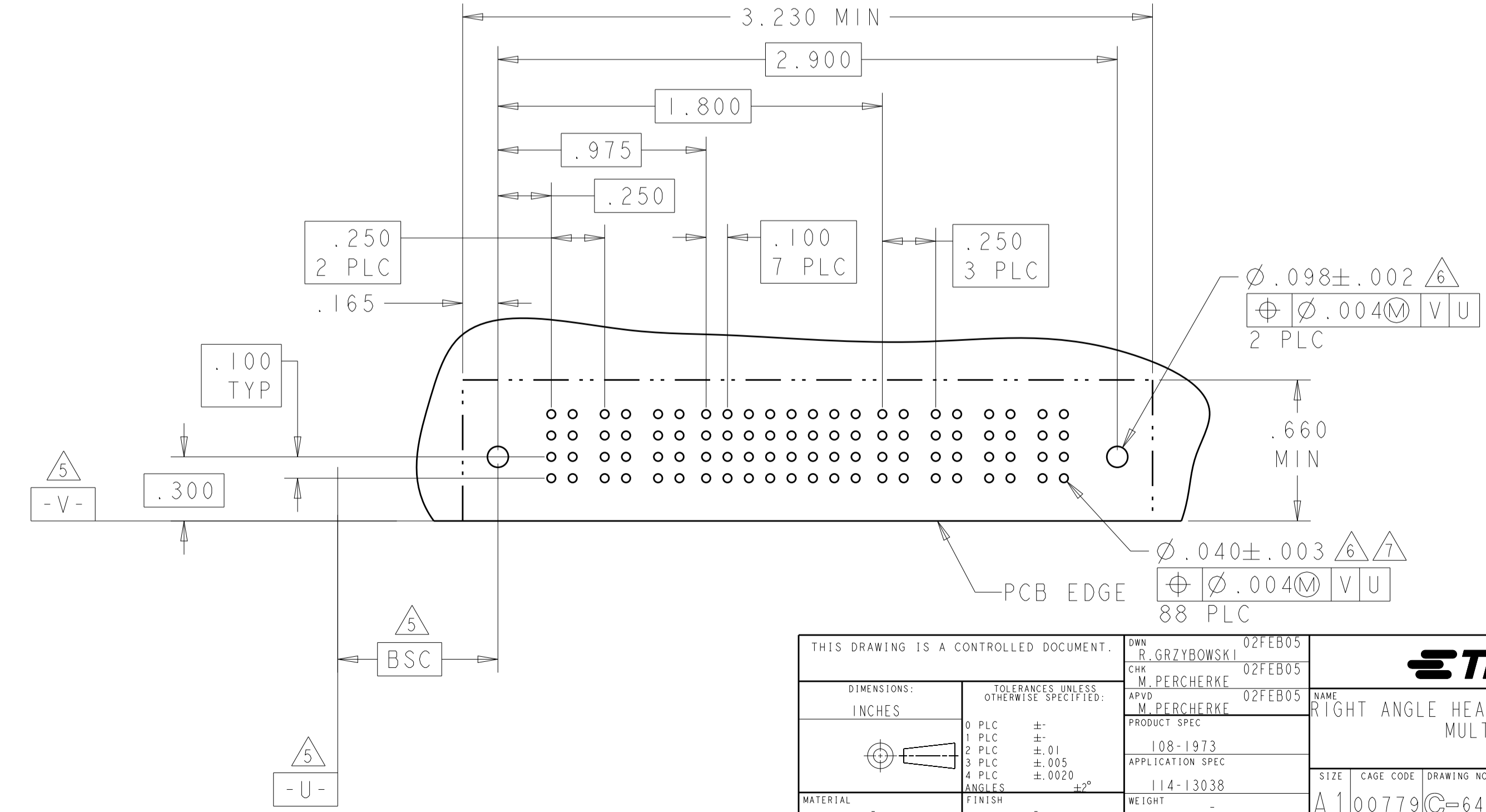
PART NUMBER	ROWS	POWER							SIGNAL						POWER				
		P1	P2	P3	P4	P5	P6	P7	1	2	3	4	5	6	P8	P9	P10	P11	P12
6450120-9	D	PM	PM	PM	PM	PM	PM	J	J	J	J	J	J	PM	PM	PM	PM	PM	PM
	C							K	K	K	K	K	K						
	B							N	N	N	N	N	N						
	A							S	S	S	S	S	S						

7P + 24S + 6P



PART NUMBER	ROWS	POWER			SIGNAL								POWER			
		P1	P2	P3	1	2	3	4	5	6	7	8	P4	P5	P6	P7
2-1450120-1	4	PM	PM	PM	J	J	J	J	J	J	J	J	PM	PM	PM	PM
	3				K	K	K	K	K	K	K					
	2				N	N	N	N	N	N	N					
	1				S	S	S	S	S	S	S					

3P + 32S + 4P



THIS DRAWING IS A CONTROLLED DOCUMENT.

DIMENSIONS: INCHES	TOLERANCES UNLESS OTHERWISE SPECIFIED:	DWN: R. GRZYBOWSKI 02FEB05	CHK: M. PERCHERKE 02FEB05	APVD: M. PERCHERKE 02FEB05
0 PLC ±.01	1 PLC ±.01	2 PLC ±.01	3 PLC ±.01	4 PLC ±.01
ANGLES ±.0020	FINISH	PRODUCT SPEC: 108-1973	APPLICATION SPEC: 114-13038	WEIGHT: A100779

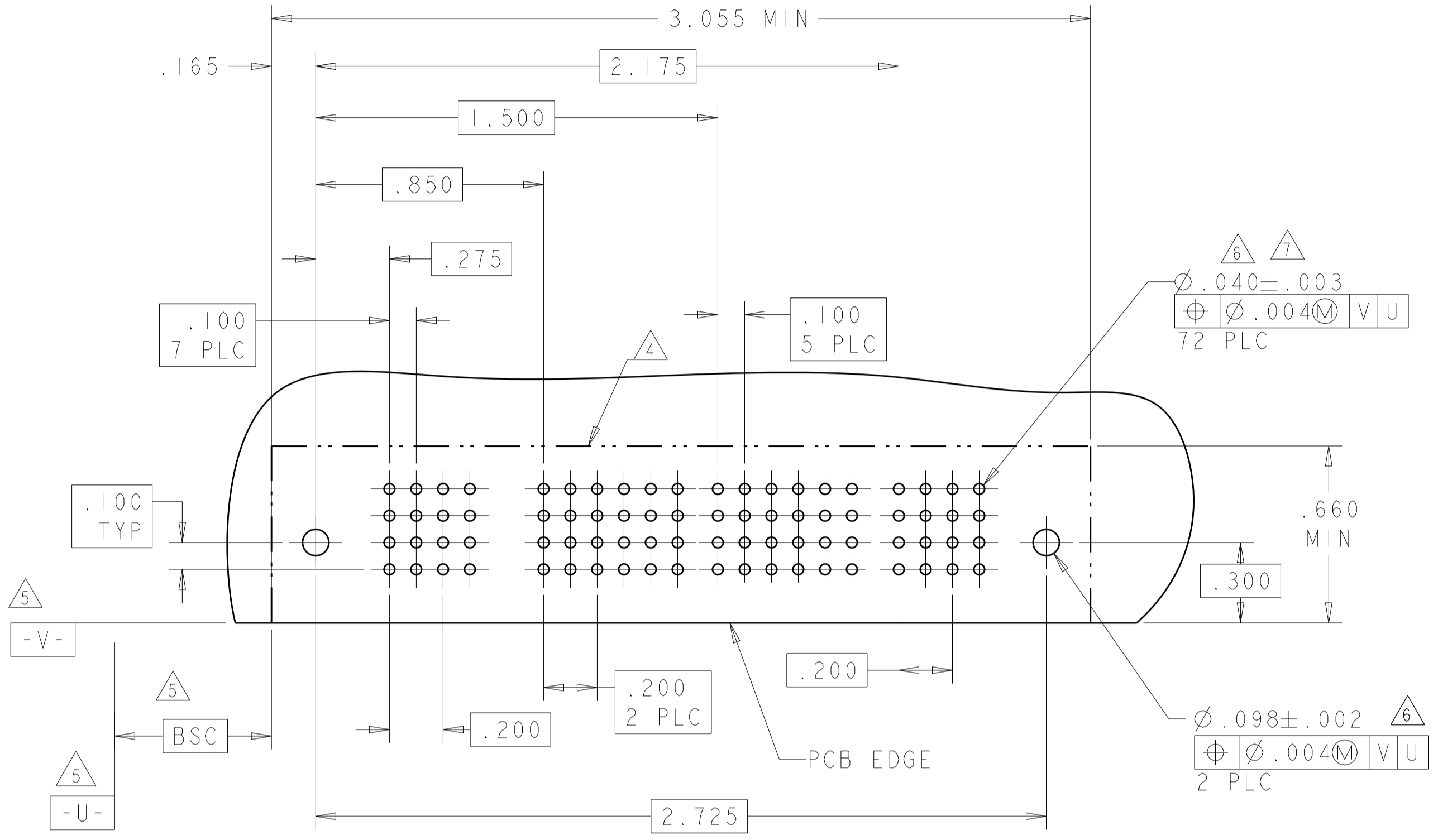
MATERIAL: . . . FINISH: . . .

NAME: RIGHT ANGLE HEADER W/GUIDES ASSEMBLY MULTI-BEAM XL

SIZE: A100779 C=6450120

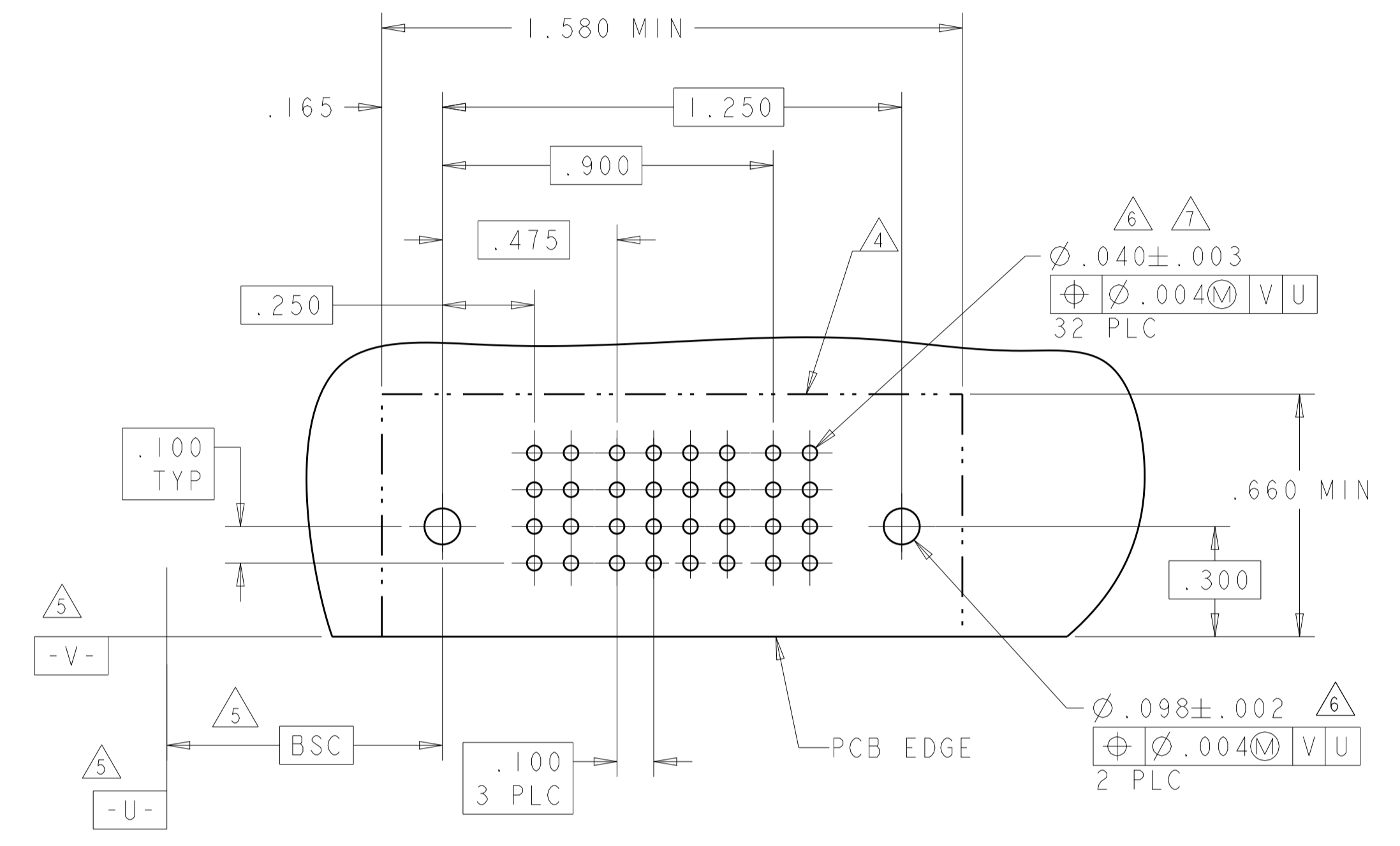
CUSTOMER DRAWING SCALE: 4:1 SHEET 5 OF 24 REV: M2

PART NUMBER	ROWS	POWER					SIGNAL						POWER	
		P1	P2	P3	P4	P5	1	2	3	4	5	6	P6	P7
I-6450120-1	D	PM	PM	PM	PM	J	J	J	J	J	J	PM	PM	HD
	C					K	K	K	K	K	K			
	B					N	N	N	N	N	N			
A	S	S	S	S	S	S	S	S	S	S	S	S	S	HD
5P + 24S + 2P														

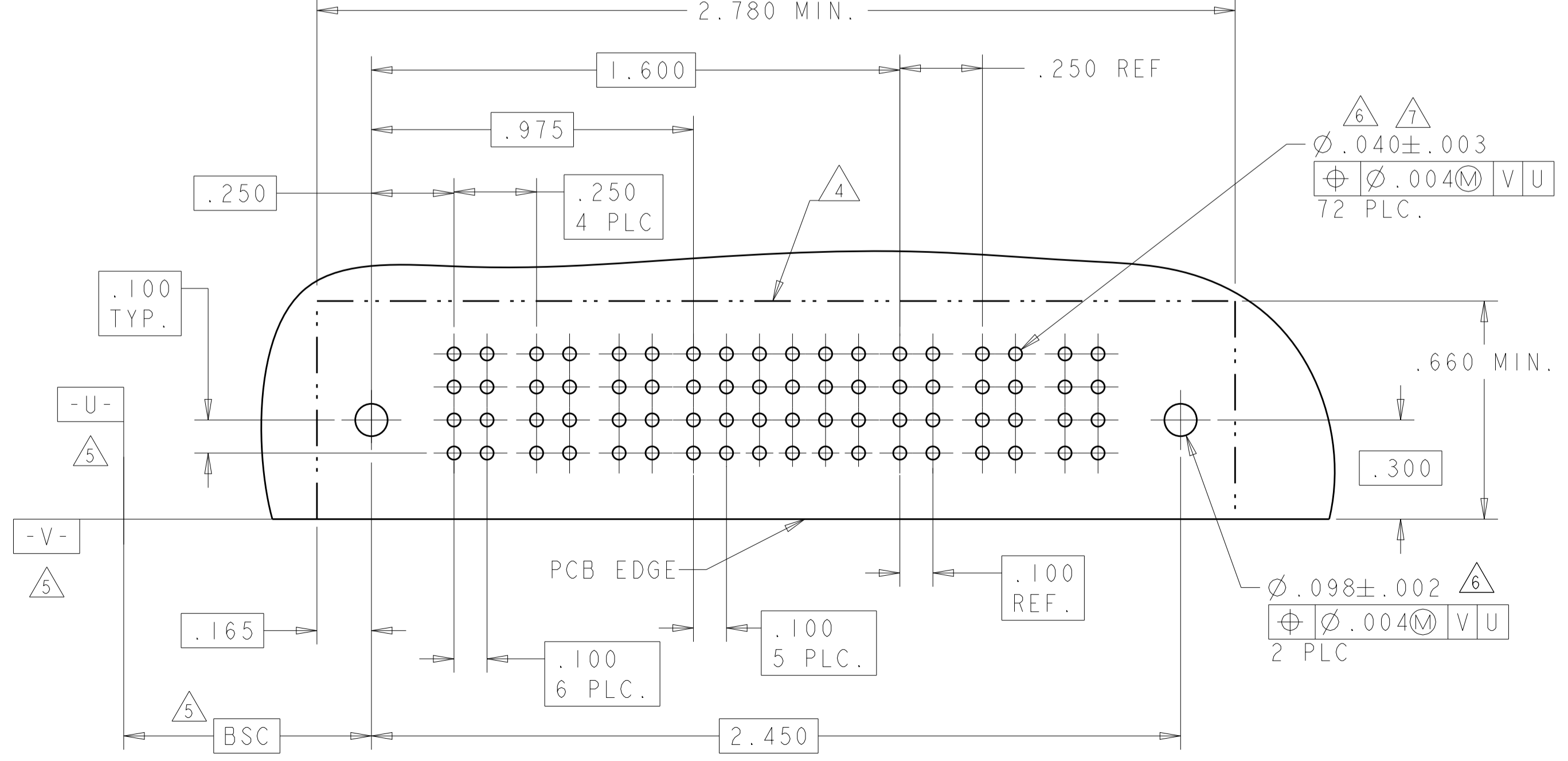


LOC	DIST	REVISIONS			
ES	00	REV	DATE	BY	APPV
		1			
		2			

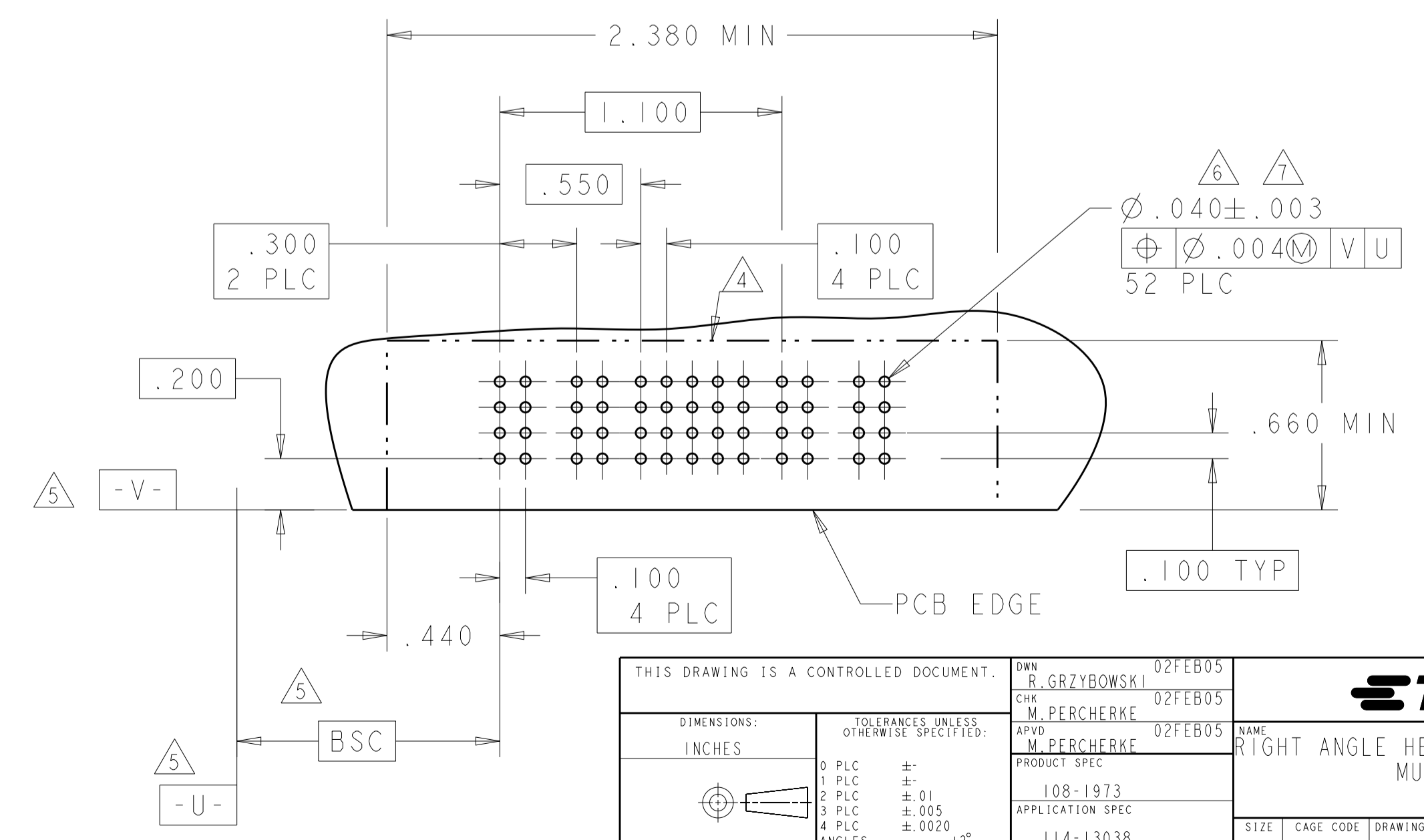
PART NUMBER	ROWS	POWER		SIGNAL				POWER
		P1	P2	1	2	3	4	P2
I-6450120-3	D	PM	PM	J	J	J	J	PM
	C			K	K	K	K	
	B			N	N	N	N	
A	S	S	S	S	S	S	S	HD
IP + 16S + IP								



PART NUMBER	ROWS	POWER			SIGNAL						POWER		
		P1	P2	P3	1	2	3	4	5	6	P4	P5	P6
I-6450120-2	D	PM	PM	PM	J	J	J	J	J	J	PM	PM	PM
	C				K	K	K	K	K				
	B				N	N	N	N	N				
A	S	S	S	S	S	S	S	S	S	S	S	S	HD
3P + 24S + 3P													



PART NUMBER	ROWS	POWER		SIGNAL					POWER	
		P1	P2	1	2	3	4	5	P3	P4
I-6450120-4	D	PM	PM	J	J	J	J	J	PM	PM
	C			K	K	K	K	K		
	B			N	N	N	N	N		
A	S	S	S	S	S	S	S	S	S	HD
2P + 20S + 2P										

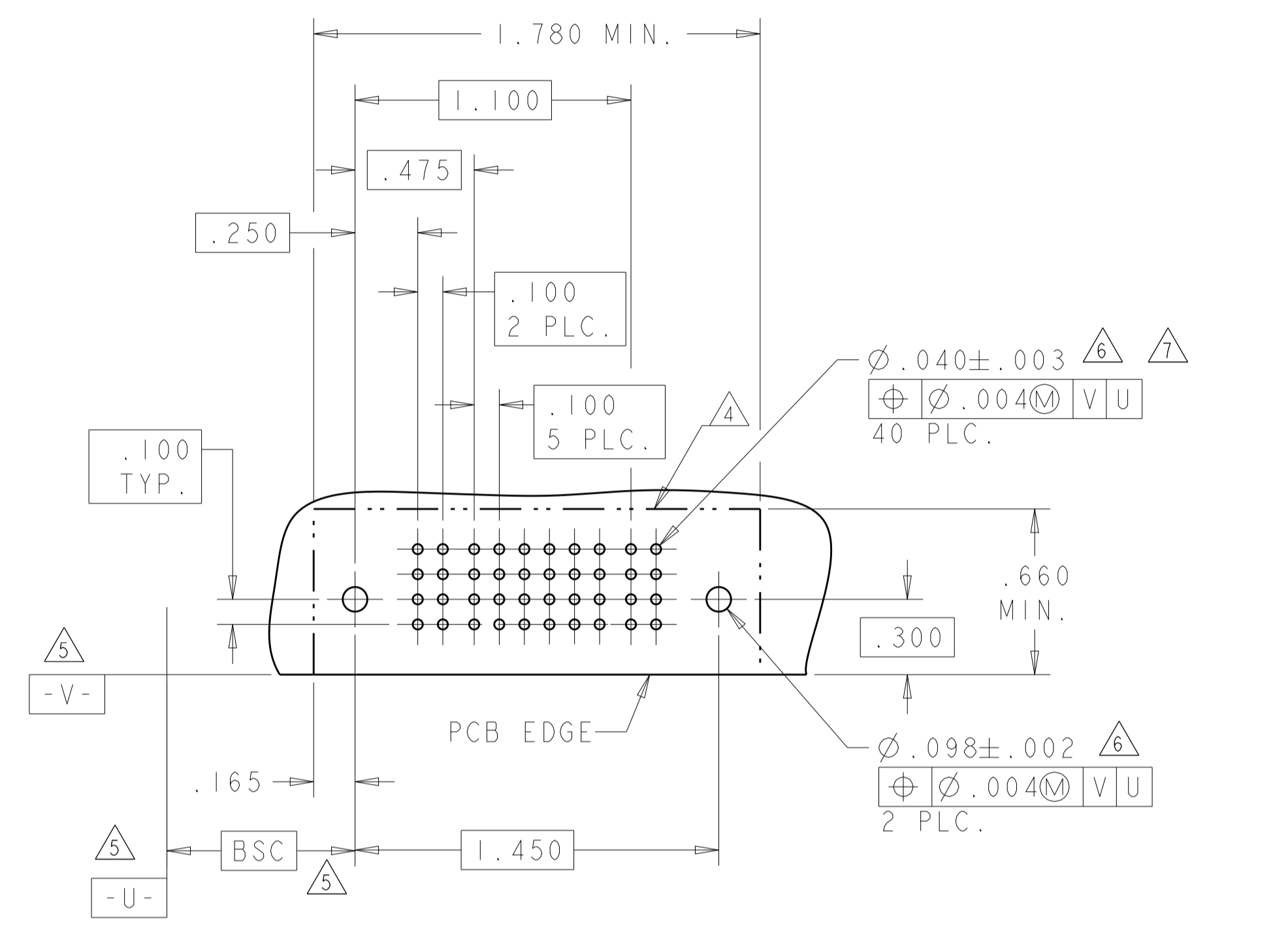


THIS DRAWING IS A CONTROLLED DOCUMENT.

DIMENSIONS: INCHES	TOLERANCES UNLESS OTHERWISE SPECIFIED: 0 PLC ±. 1 PLC ±.01 2 PLC ±.01 3 PLC ±.01 4 PLC ±.005 5 PLC ±.005 ANGLES ±.002	OWN: R. GRZYBOWSKI 02FEB05 CHK: M. PERCHERKE 02FEB05 APPV: M. PERCHERKE 02FEB05 PRODUCT SPEC 108-1973 APPLICATION SPEC 114-13038 WEIGHT CUSTOMER DRAWING	NAME: RIGHT ANGLE HEADER W/GUIDES ASSEMBLY MULTI-BEAM XL SIZE: A1 CAGE CODE: 6450120 DRAWING NO: 100779 SCALE: 4:1 SHEET: 6 OF 24 REV: M2
-----------------------	--	--	---

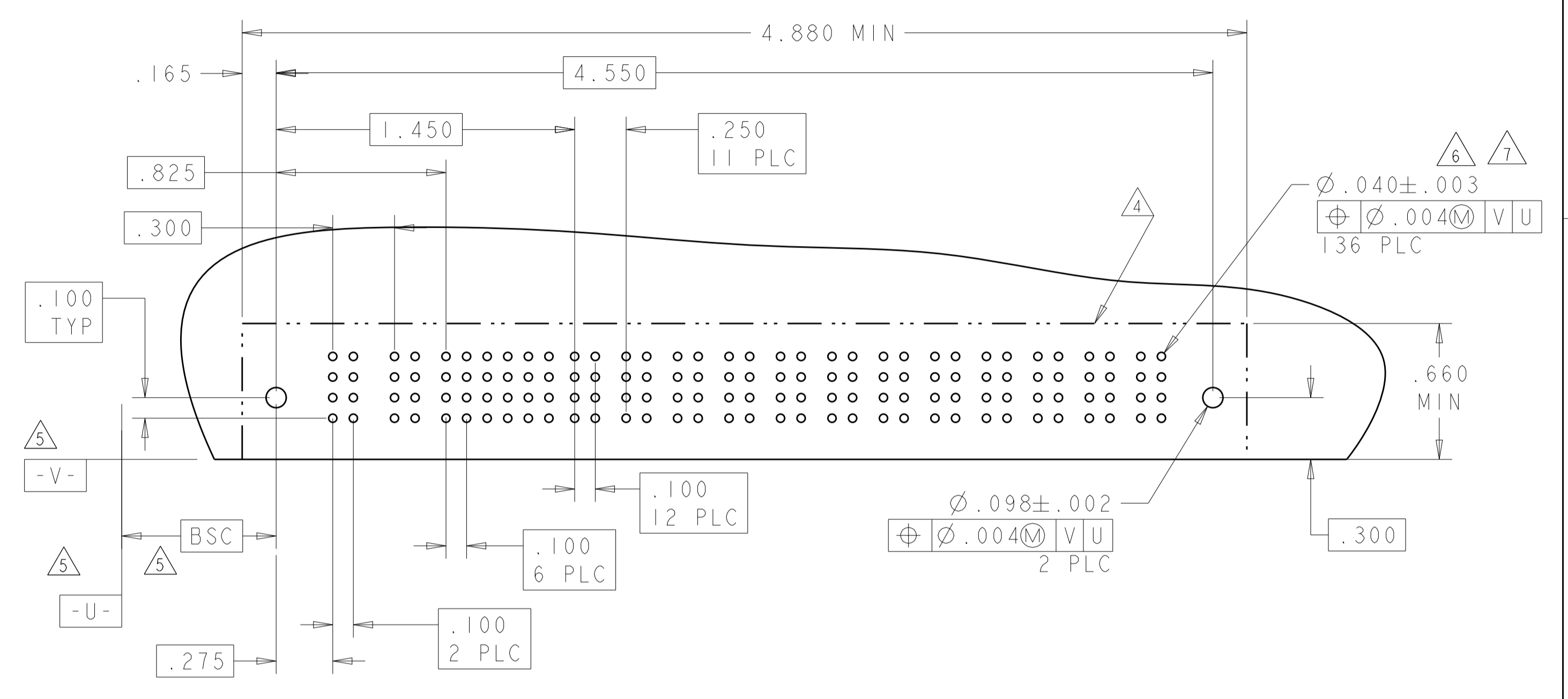
STC TE Connectivity

PART NUMBER	ROWS	POWER		SIGNAL						POWER			
		P1	P2	1	2	3	4	5	6	P7	P8		
1-6450120-6	D	PA	PA	Z	Z	Z	Z	Z	Z	PA	PA	HD	HD
	C			Y	Y	Y	Y	Y	Y				
	B			R	R	R	R	R	R				
A	O	O	O	O	O	O							
IP + 24S + IP													

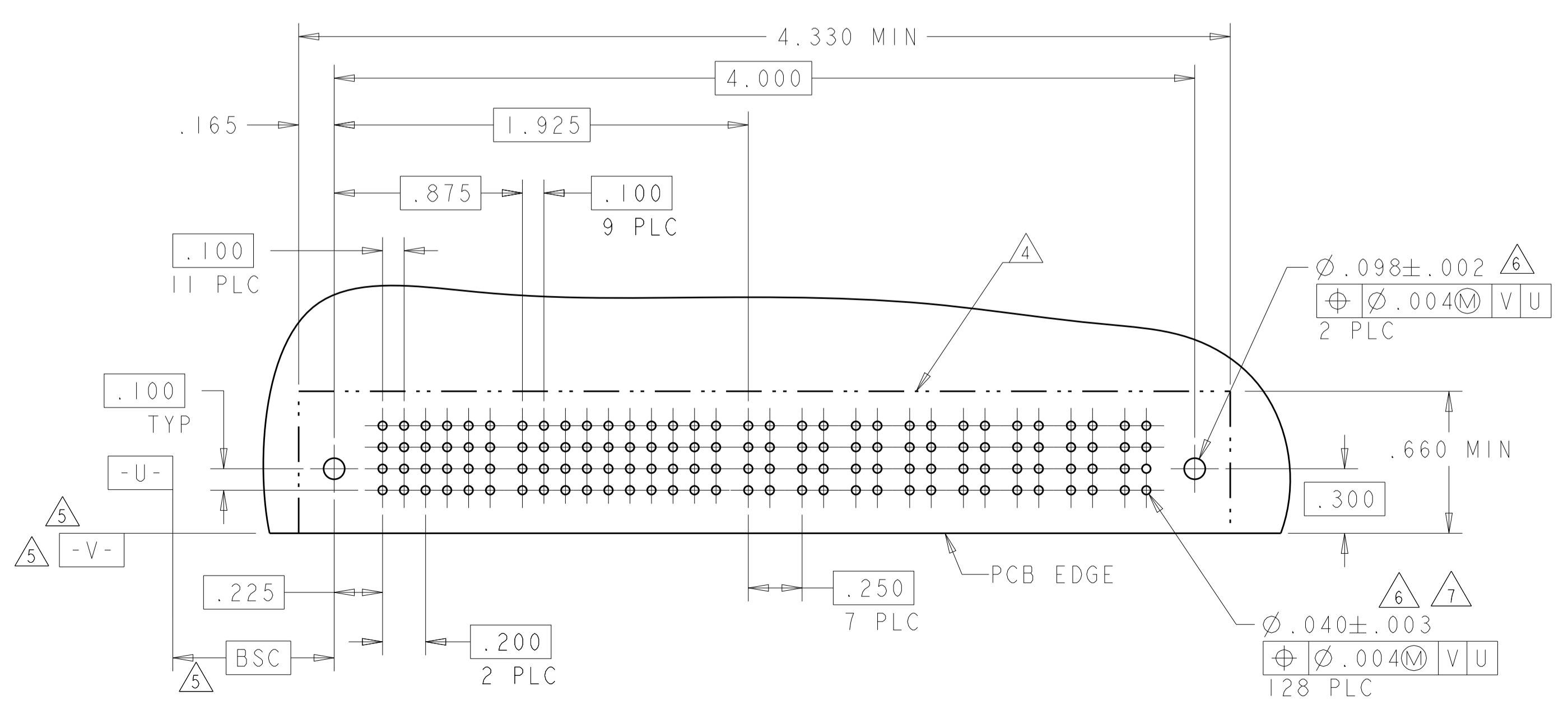


LOC	DIST	REV	DATE	APP'D
ES	00			

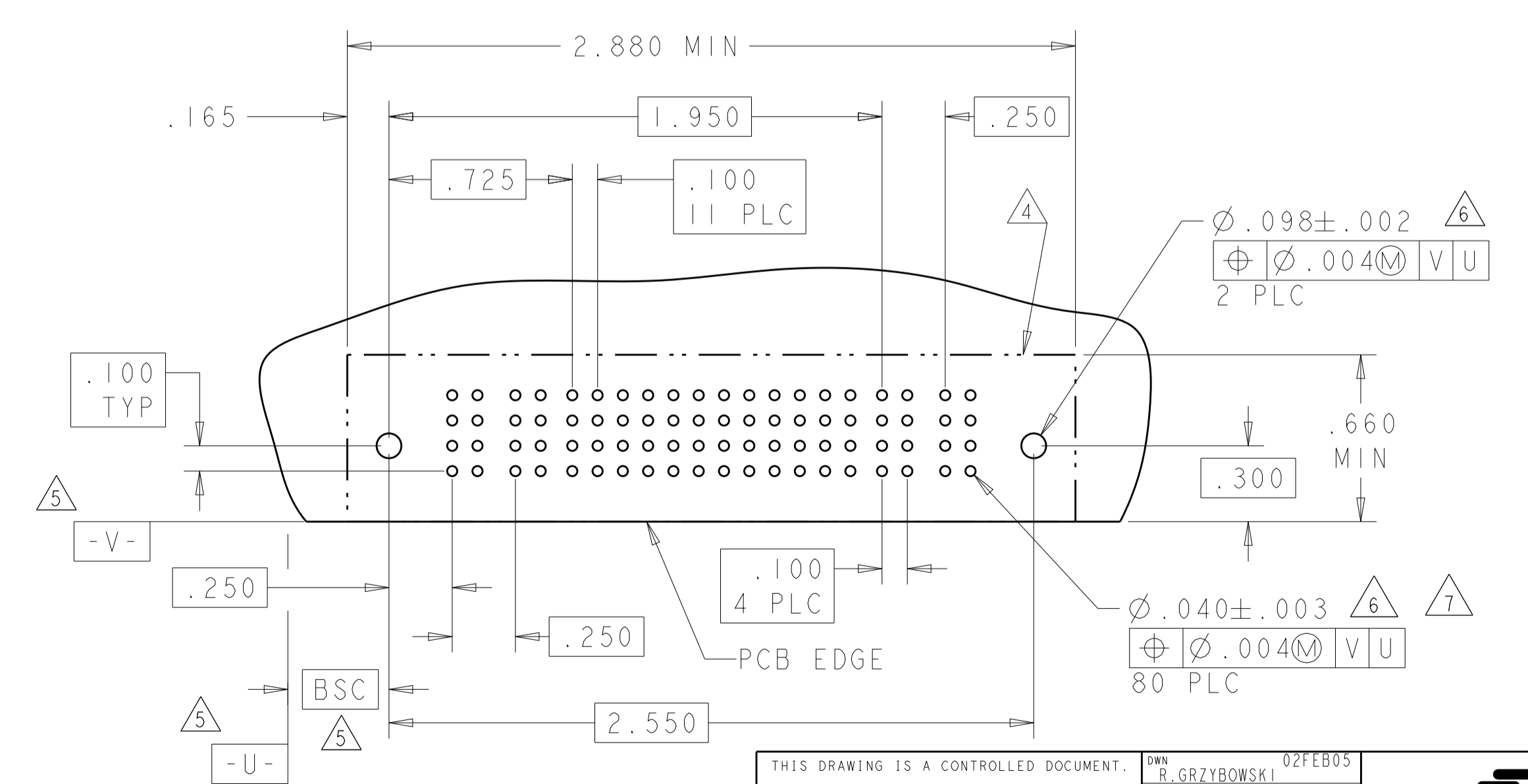
PART NUMBER	ROWS	POWER		SIGNAL						POWER																				
		P1	P2	1	2	3	4	5	6	P3	P4	P5	P6	P7	P8	P9	P10	P11	P12	P13	P14									
2-6450120-2	D	PM	PM	J	J	J	J	J	J	PM	PM	PM	PM	PM	PM	PM	PM	PM	PM	PM	PM	PM	PM	PM	PM	PM	PM	PM	PM	PM
	C			K	K	K	K	K	K																					
	B			N	N	N	N	N	N																					
A	S	S	S	S	S	S																								
2ACP + 24S + 12P																														



PART NUMBER	ROWS	POWER			SIGNAL										POWER																
		P1	P2	P3	1	2	3	4	5	6	7	8	9	10	P4	P5	P6	P7	P8	P9	P10	P11									
2-6450120-0	D	PM	PM	PM	J	J	J	J	J	J	J	J	J	J	PM	PM	PM	PM	PM	PM	PM	PM	PM	PM	PM	PM	PM	PM	PM	PM	PM
	C				K	K	K	K	K	K	K	K	K																		
	B				N	N	N	N	N	N	N	N	N	N																	
A	S	S	S	S	S	S	S	S	S																						
3P + 40S + 8P																															



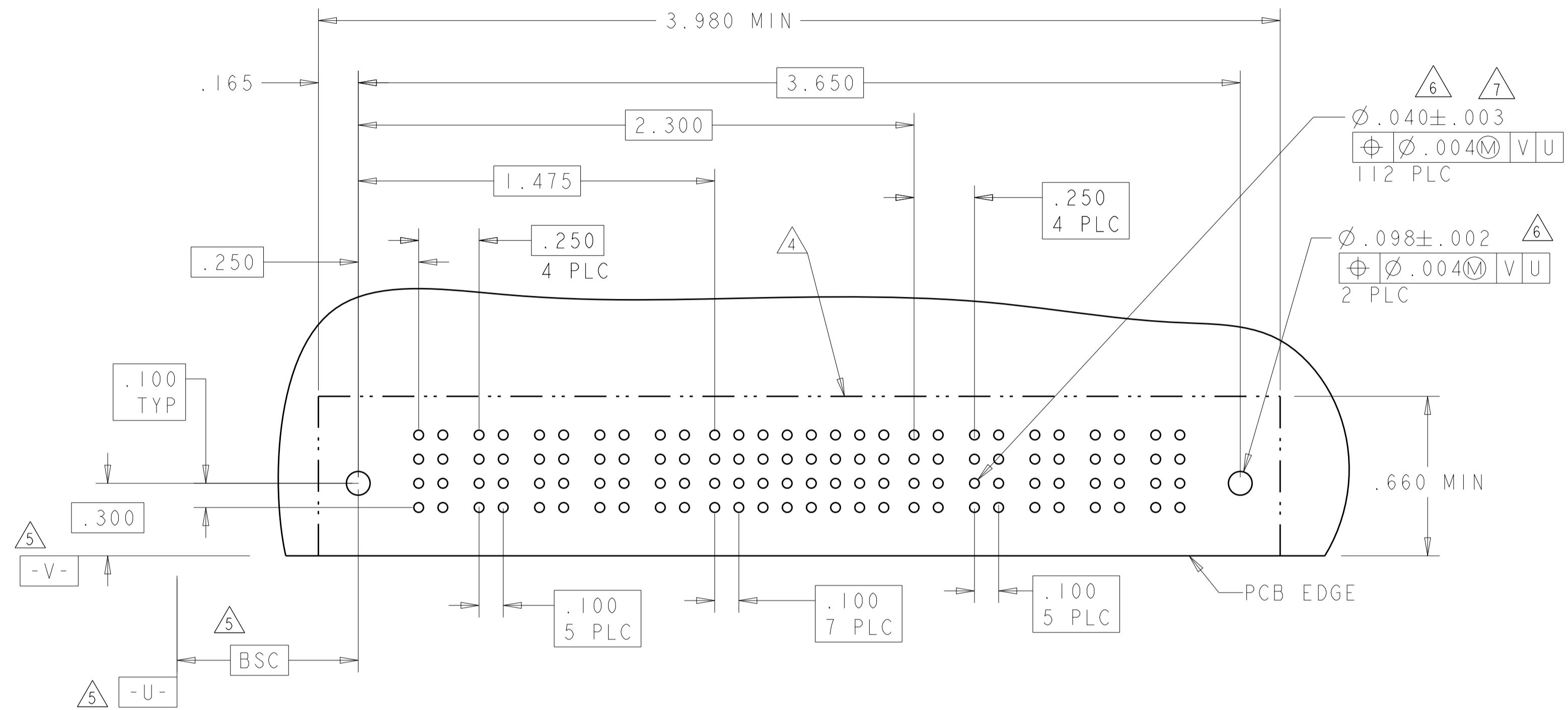
PART NUMBER	ROWS	POWER		SIGNAL												POWER			
		P1	P2	1	2	3	4	5	6	7	8	9	10	11	12	P3	P4		
2-6450120-3	D	PM	PM	J	J	J	J	J	J	J	J	J	J	J	J	PM	PM	HD	HD
	C			K	K	K	K	K	K	K	K	K	K	K					
	B			N	N	N	N	N	N	N	N	N	N	N	N				
A	S	S	S	S	S	S	S	S	S										
2P + 48S + 2P																			



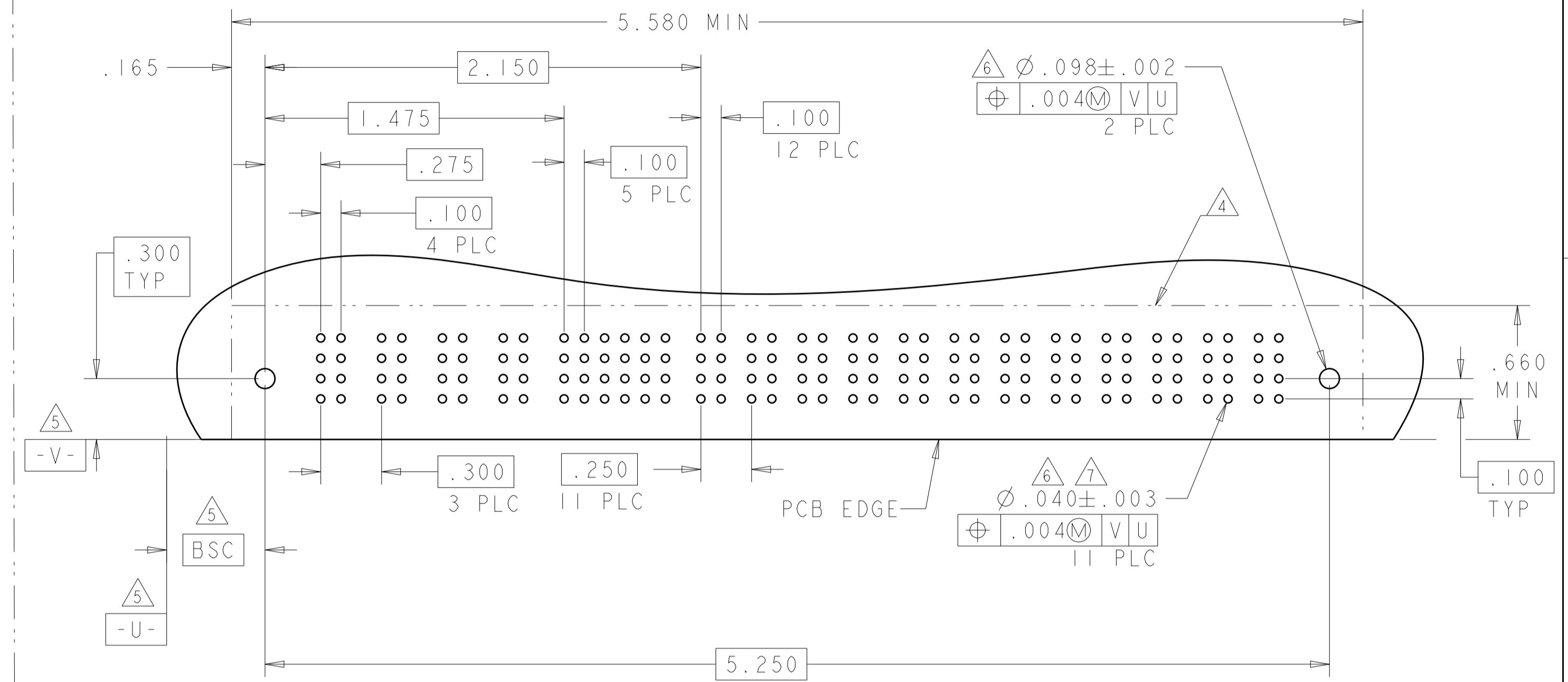
THIS DRAWING IS A CONTROLLED DOCUMENT.		OWN: R. GRZYBOWSKI 02FEB05	 TE Connectivity
DIMENSIONS: INCHES		CHK: M. PERCHERKE 02FEB05	
TOLERANCES UNLESS OTHERWISE SPECIFIED:		APP'D: M. PERCHERKE 02FEB05	
0 PLC ±.01 1 PLC ±.01 2 PLC ±.01 3 PLC ±.01 4 PLC ±.01 ANGLES ±.0020		PRODUCT SPEC: 108-1973 APPLICATION SPEC: 114-13038 WEIGHT: A100779 CUSTOMER DRAWING: C=6450120	
MATERIAL: FINISH:		NAME: RIGHT ANGLE HEADER W/GUIDES ASSEMBLY MULTI-BEAM XL SIZE: CAGE CODE DRAWING NO: 100779 SCALE: 4:1 SHEET 7 OF 24 REV: M2	RESTRICTED TO:

LOC	DIST	REVISONS			
ES	00	P	L	D	APR
		DESCRIPTION		DATE	OWN
		SEE SHEET 1			

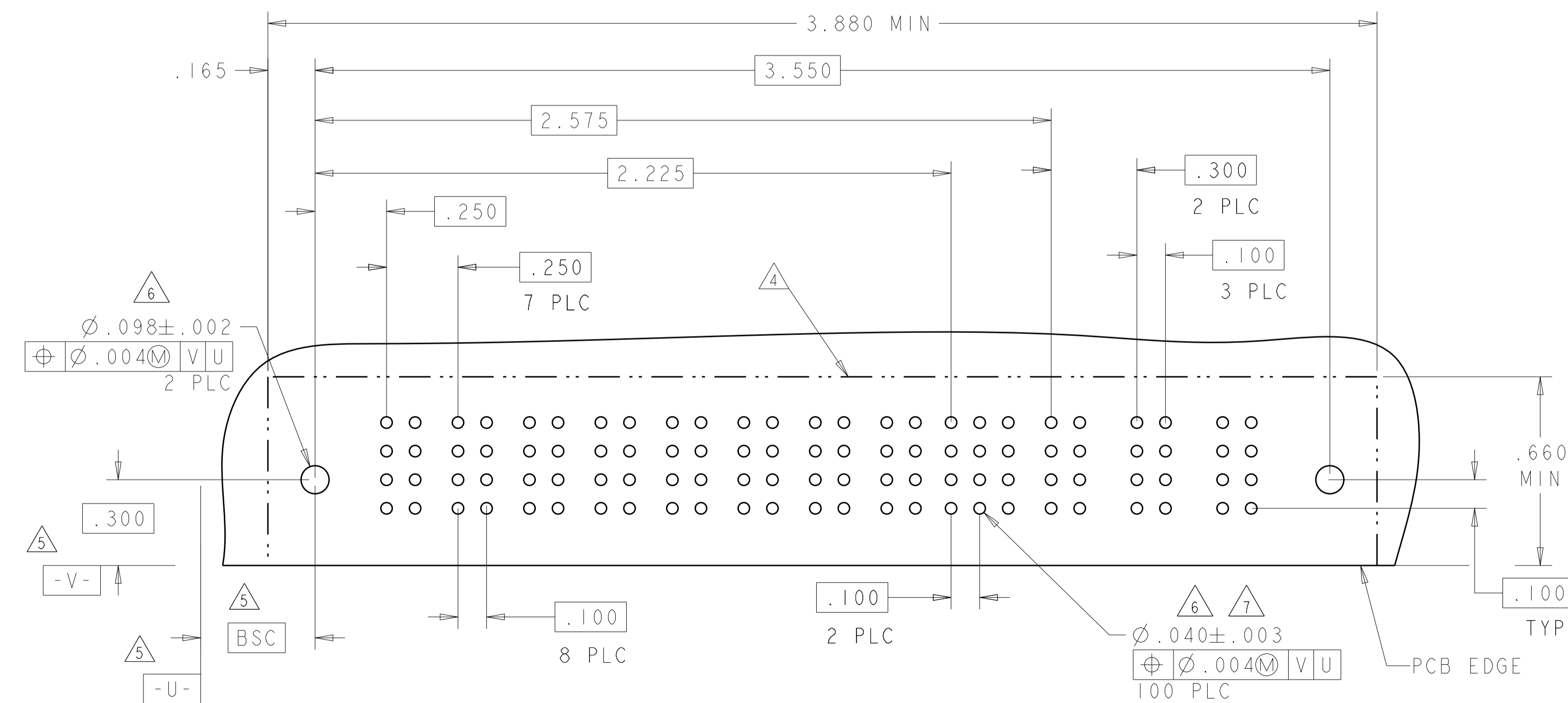
PART NUMBER	ROWS	POWER					SIGNAL								POWER					
		P1	P2	P3	P4	P5	1	2	3	4	5	6	7	8	P6	P7	P8	P9	P10	
2-6450120-4	D	C B A	PM	PM	PM	PM	PM	J	J	J	J	J	J	J	J	PM	PM	PM	PM	PM
	K							K	K	K	K	K	K	K						
	N							N	N	N	N	N	N	N						
	S							S	S	S	S	S	S	S						
5P + 32S + 5P																				



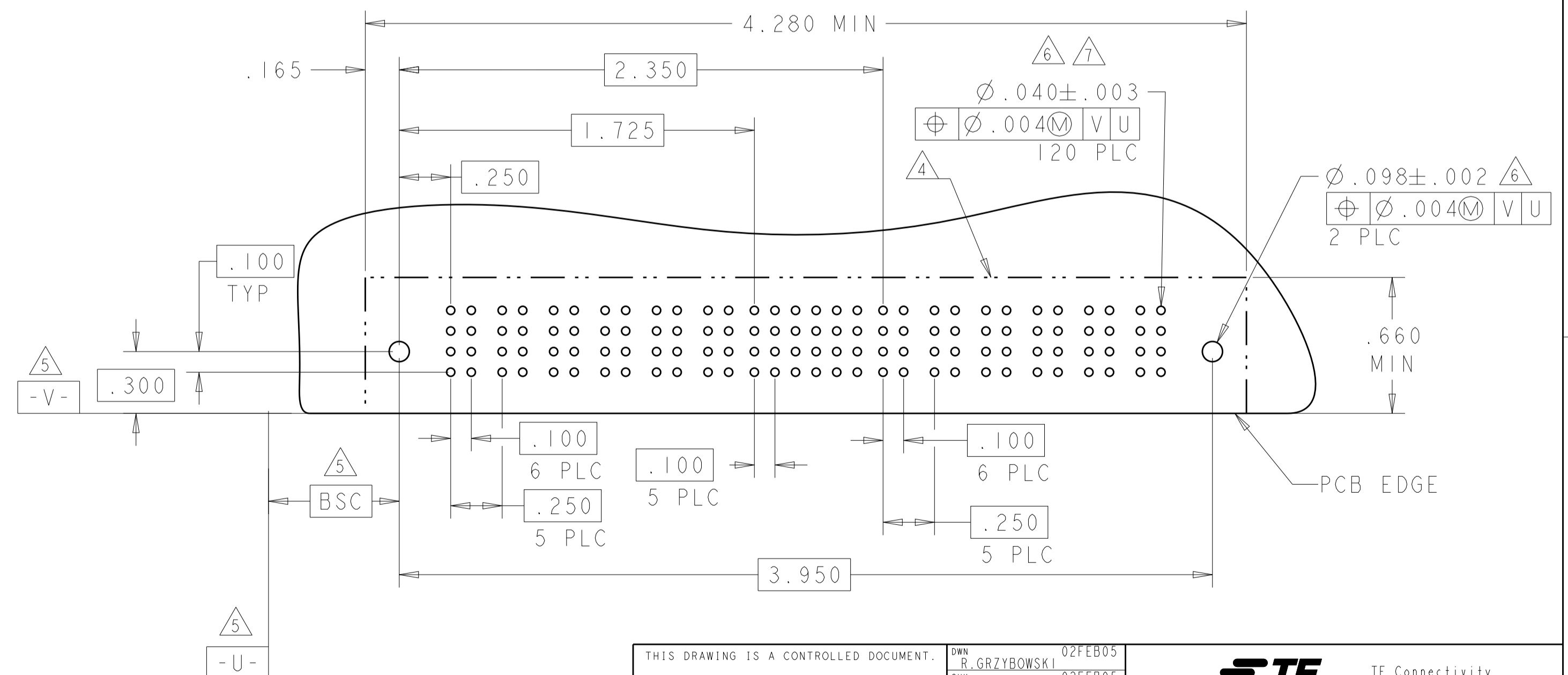
PART NUMBER	ROWS	AC POWER				SIGNAL						POWER														
		P1	P2	P3	P4	1	2	3	4	5	6	P5	P6	P7	P8	P9	P10	P11	P12	P13	P14	P15	P16			
2-6450120-6	D	C B A	PM	PM	PM	PM	J	J	J	J	J	J	J	J	PM	PM	PM	PM	PM	PM	PM	PM	PM	PM	PM	PM
	K						K	K	K	K	K	K	K													
	N						N	N	N	N	N	N	N													
	S						S	S	S	S	S	S	S													
4ACP + 24S + 12P																										



PART NUMBER	ROWS	POWER								SIGNAL			POWER		
		P1	P2	P3	P4	P5	P6	P7	P8	1	2	3	P9	P10	P11
3-6450120-3	D	C B A	PM	PM	PM	PM	PM	PM	PM	J	J	J	PM	PM	PM
	K									K	K				
	N									N	N				
	S									S	S				
8P + 12S + 3ACP															



PART NUMBER	ROWS	POWER						SIGNAL						POWER					
		P1	P2	P3	P4	P5	P6	1	2	3	4	5	6	P7	P8	P9	P10	P11	P12
2-6450120-7	D	C B A	PM	PM	PM	PM	PM	J	J	J	J	J	J	PM	PM	PM	PM	PM	PM
	K							K	K	K	K	K							
	N							N	N	N	N	N							
	S							S	S	S	S	S							
6P + 24S + 6P																			

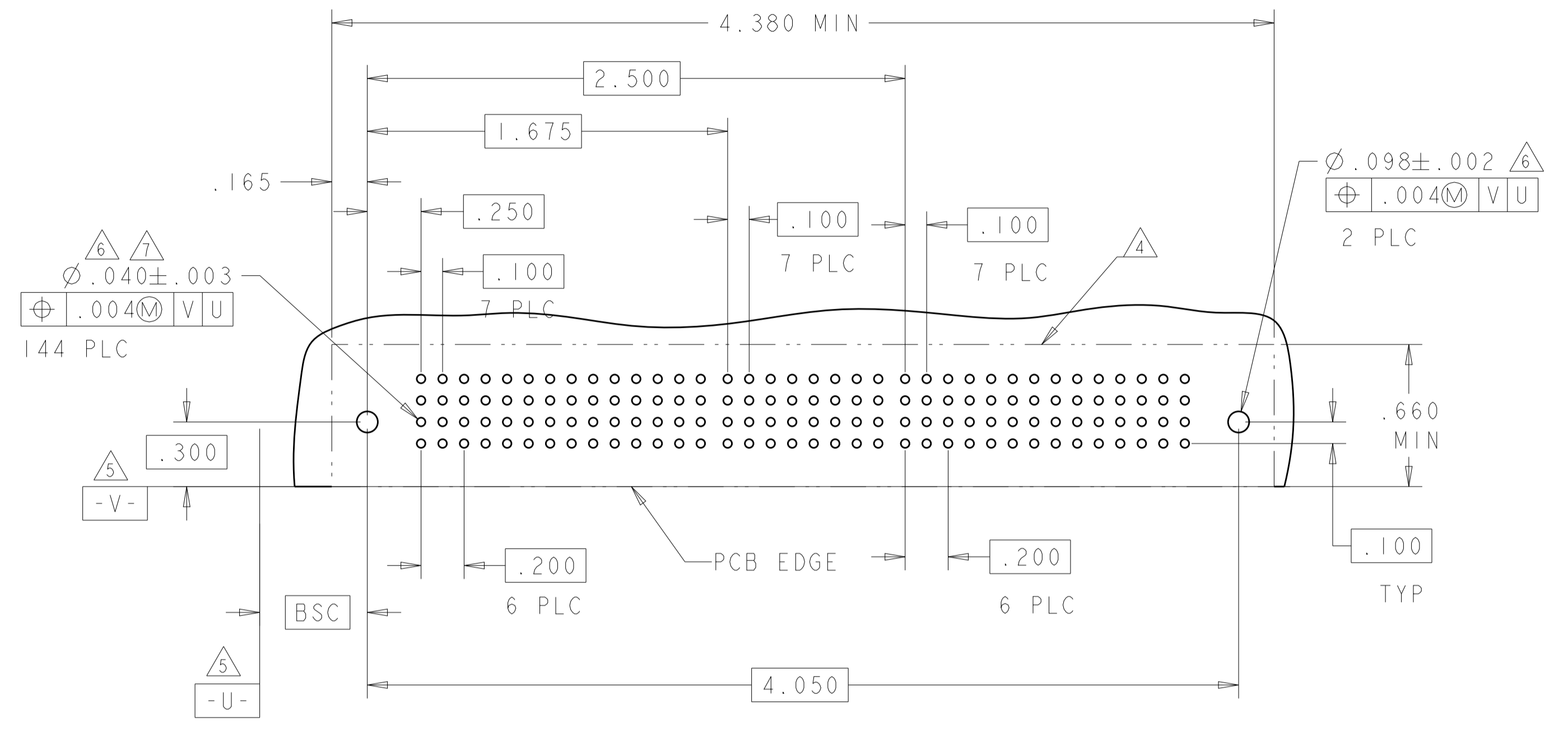


THIS DRAWING IS A CONTROLLED DOCUMENT.

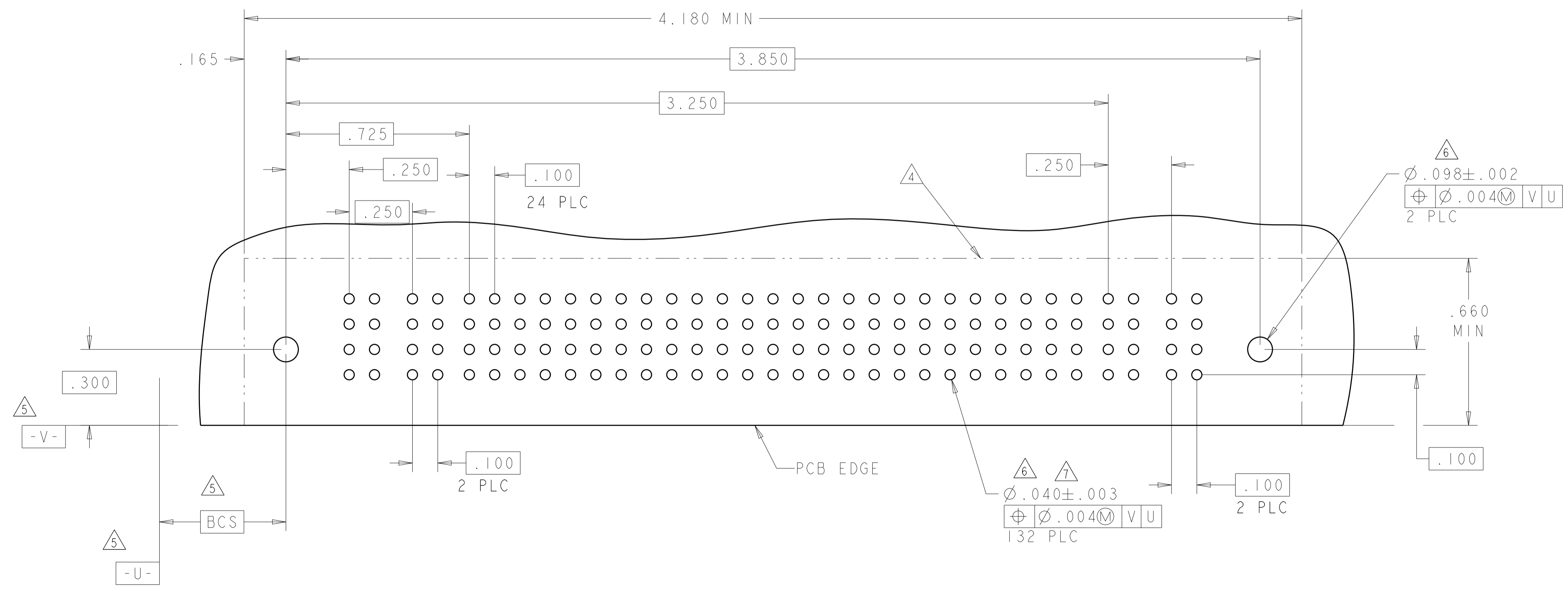
DIMENSIONS:	INCHES	TOLERANCES UNLESS OTHERWISE SPECIFIED:	OWN: R. GRZYBOWSKI 02FEB05 CHK: M. PERCHERKE 02FEB05 APVD: M. PERCHERKE 02FEB05	NAME: M. PERCHERKE 02FEB05
	0 PLC ±.01 1 PLC ±.01 2 PLC ±.01 3 PLC ±.01 4 PLC ±.01 ANGLES ±.0020	0 PLC ±.01 1 PLC ±.01 2 PLC ±.01 3 PLC ±.01 4 PLC ±.01 ANGLES ±.0020	±.01 ±.01 ±.01 ±.01 ±.01 ±.0020	PRODUCT SPEC 108-1973 APPLICATION SPEC 114-13038
MATERIAL:	FINISH:	WEIGHT:	CUSTOMER DRAWING	RESTRICTED TO: REV M2

LOC	DIST	REVISIONS					
ES	00	P	LTN	DESCRIPTION	DATE	DWN	APVD
		-	-	SEE SHEET 1	-	-	-

PART NUMBER	ROWS	POWER							SIGNAL								POWER								
		P1	P2	P3	P4	P5	P6	P7	1	2	3	4	5	6	7	8	P8	P9	P10	P11	P12	P13	P14		
3-6450120-0	D C B A	PM	PM	PM	PM	PM	PM	PM	J	J	J	J	J	J	J	J	PM	PM	PM	PM	PM	PM	PM	HD	HD
7HDP + 32S + 7HDP																									



PART NUMBER	ROWS	POWER		SIGNAL																									POWER				
		P1	P2	1	2	3	4	5	6	7	8	9	10	11	12	13	14	15	16	17	18	19	20	21	22	23	24	25	P3	P4			
3-6450120-6	D C B A	PM	PM	J	J	J	J	J	J	J	J	J	J	J	J	J	J	J	J	J	J	J	J	J	J	J	J	J	J	PM	PM	HD	HD
2P + 100S + 2P																																	

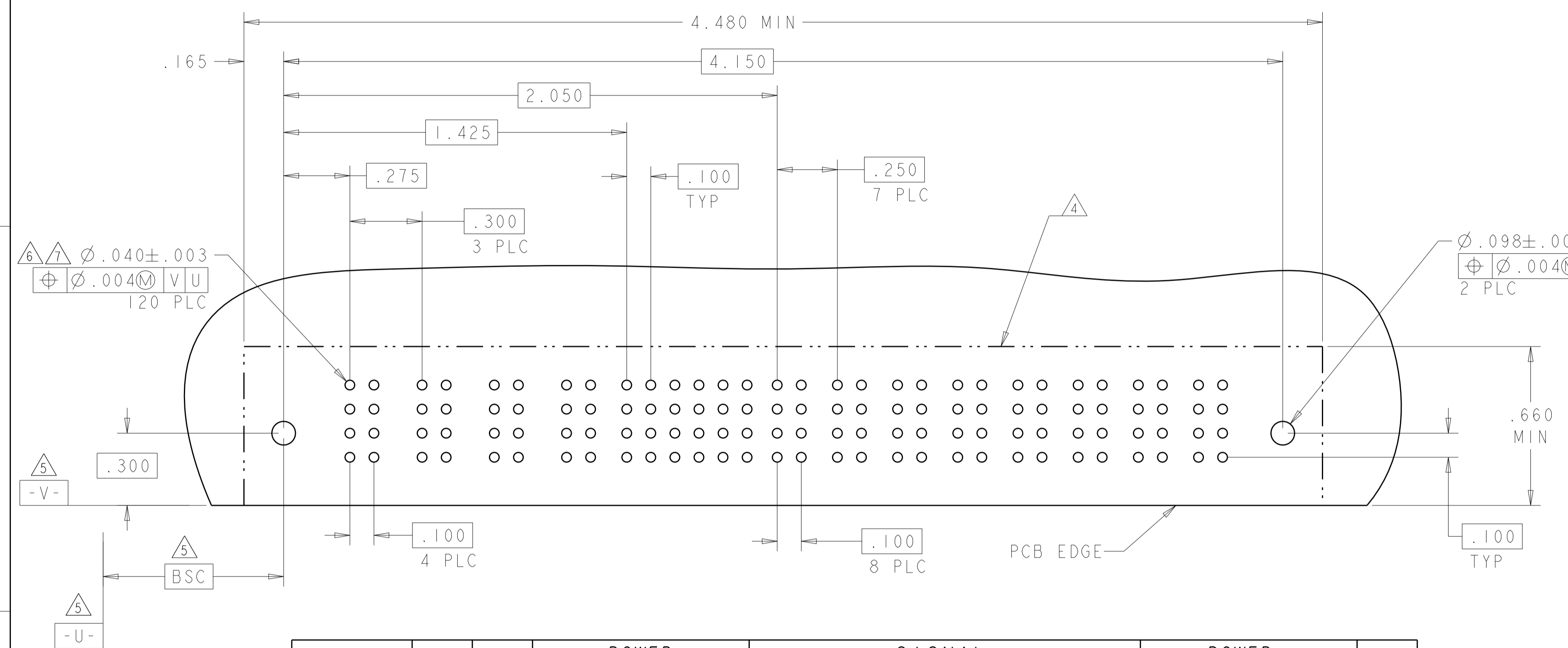


THIS DRAWING IS A CONTROLLED DOCUMENT.

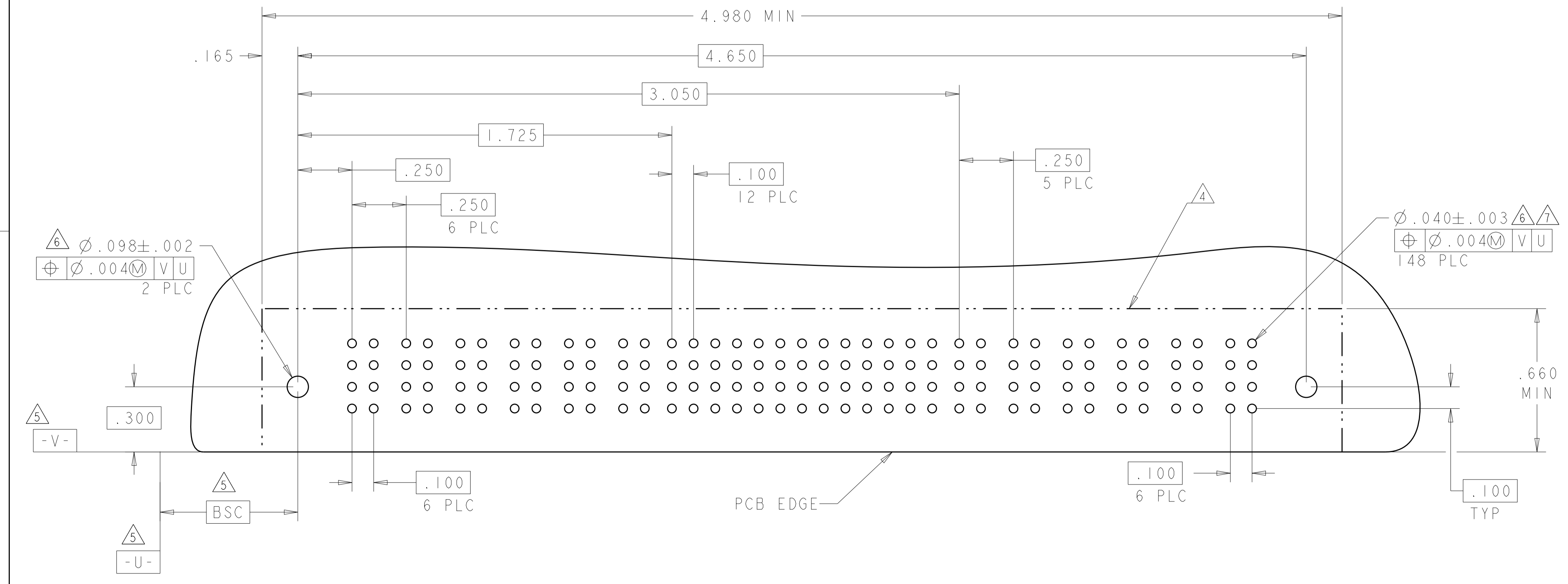
DIMENSIONS: INCHES	TOLERANCES UNLESS OTHERWISE SPECIFIED: 0 PLC ±.01 1 PLC ±.01 3 PLC ±.005 4 PLC ±.002 ANGLES ±.020	DWN: R. GRZYBOWSKI CHK: M. PERCHERKE APVD: M. PERCHERKE	DATE: 02FEB05	NAME: RIGHT ANGLE HEADER W/GUIDES ASSEMBLY MULTI-BEAM XL
MATERIAL:	FINISH:	PRODUCT SPEC: 108-1973	APPLICATION SPEC: 114-13038	RESTRICTED TO:
CUSTOMER DRAWING		SCALE: 4:1	SHEET: 9 of 24	REV: M2

LOC	DIST	REVISIONS			
P	LTN	DESCRIPTION	DATE	DMN	APVD
ES	00	SEE SHEET 1	-	-	-

PART NUMBER	ROWS	POWER				SIGNAL						POWER										
		P1	P2	P3	P4	1	2	3	4	5	6	P5	P6	P7	P8	P9	P10	P11	P12			
4-6450120-0	D C B A	PM	PM	PM	PM	J	J	J	J	J	J	PM	PM	PM	PM	PM	PM	PM	PM	PM	PM	PM
						K	K	K	K	K	K											
						N	N	N	N	N	N											
						S	S	S	S	S	S											
4ACP + 24S + 8P																						



PART NUMBER	ROWS	POWER						SIGNAL													POWER																			
		P1	P2	P3	P4	P5	P6	1	2	3	4	5	6	7	8	9	10	11	12	13	P7	P8	P9	P10	P11	P12														
3-6450120-5	D C B A	PM	PM	PM	PM	PM	J	J	J	J	J	J	J	J	J	J	J	J	J	J	J	J	J	J	J	J	J	J	PM	PM	PM	PM	PM	PM						
							K	K	K	K	K	K	K	K	K	K	K	K	K	K	K	K	K	K	K	K	K	K							K	K	K	K		
							N	N	N	N	N	N	N	N	N	N	N	N	N	N	N	N	N	N	N	N	N	N							N	N	N	N	N	N
							S	S	S	S	S	S	S	S	S	S	S	S	S	S	S	S	S	S	S	S	S	S							S	S	S	S	S	S
6P + 52S + 6P																																								



THIS DRAWING IS A CONTROLLED DOCUMENT. DWG: R.GRZYBOWSKI 02FEB05
 CHK: M.PERCHEK 02FEB05
 APVD: M.PERCHEK 02FEB05

STE TE Connectivity

NAME: RIGHT ANGLE HEADER W/GUIDES ASSEMBLY MULTI-BEAM XL

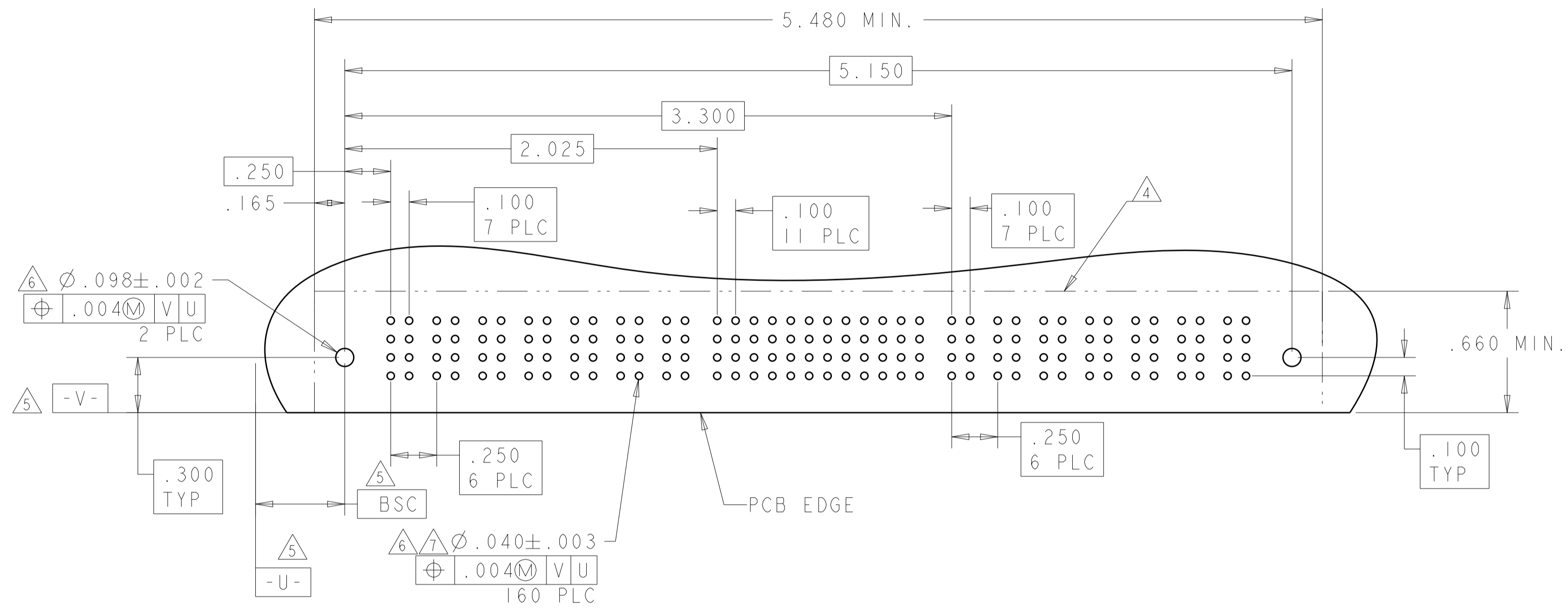
PRODUCT SPEC: 108-1973
 APPLICATION SPEC: 114-13038
 WEIGHT: -
 CUSTOMER DRAWING

DIMENSIONS: INCHES
 TOLERANCES UNLESS OTHERWISE SPECIFIED:
 0 PLC ±.
 1 PLC ±.01
 2 PLC ±.01
 3 PLC ±.005
 4 PLC ±.002
 ANGLES ±.2°

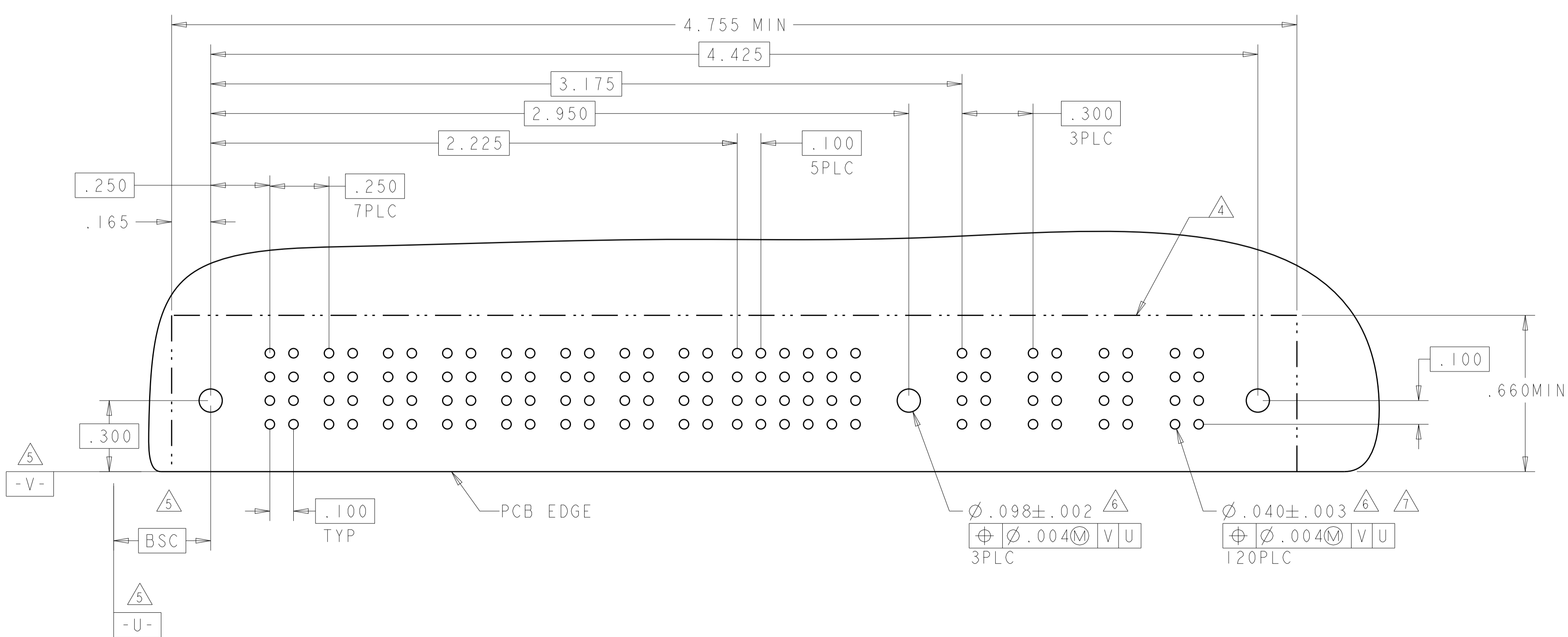
SCALE: 4:1 SHEET 10 OF 24 REV: M2

LOC	DIST	REV	DATE	BY	APPD
ES	00				
REVISIONS					
DESCRIPTION			DATE	BY	APPD
SEE SHEET 1					

PART NUMBER	ROWS	POWER							SIGNAL												POWER						
		P1	P2	P3	P4	P5	P6	P7	1	2	3	4	5	6	7	8	9	10	11	12	P8	P9	P10	P11	P12	P13	P14
3-6450120-4	DCBA	PM	PM	PM	PM	PM	PM	J	J	J	J	J	J	J	J	J	J	J	J	J	PM	PM	PM	PM	PM	PM	PM
								K	K	K	K	K	K	K	K	K	K	K	K								
								N	N	N	N	N	N	N	N	N	N	N	N	N							
								S	S	S	S	S	S	S	S	S	S	S	S	S							
7P + 48S + 7P		HD		HD																							



PART NUMBER	ROWS	POWER								SIGNAL						POWER			
		P1	P2	P3	P4	P5	P6	P7	P8	1	2	3	4	5	6	P9	P10	P11	P12
4-6450120-2	DCBA	PM	PM	PM	PM	PM	PM	PM	J	J	J	J	J	J	PM	PM	PM	PM	
									K	K	K	K	K	K					
									N	N	N	N	N	N					
									S	S	S	S	S	S					
8P + 24S + 1M + 4ACP		HD																	



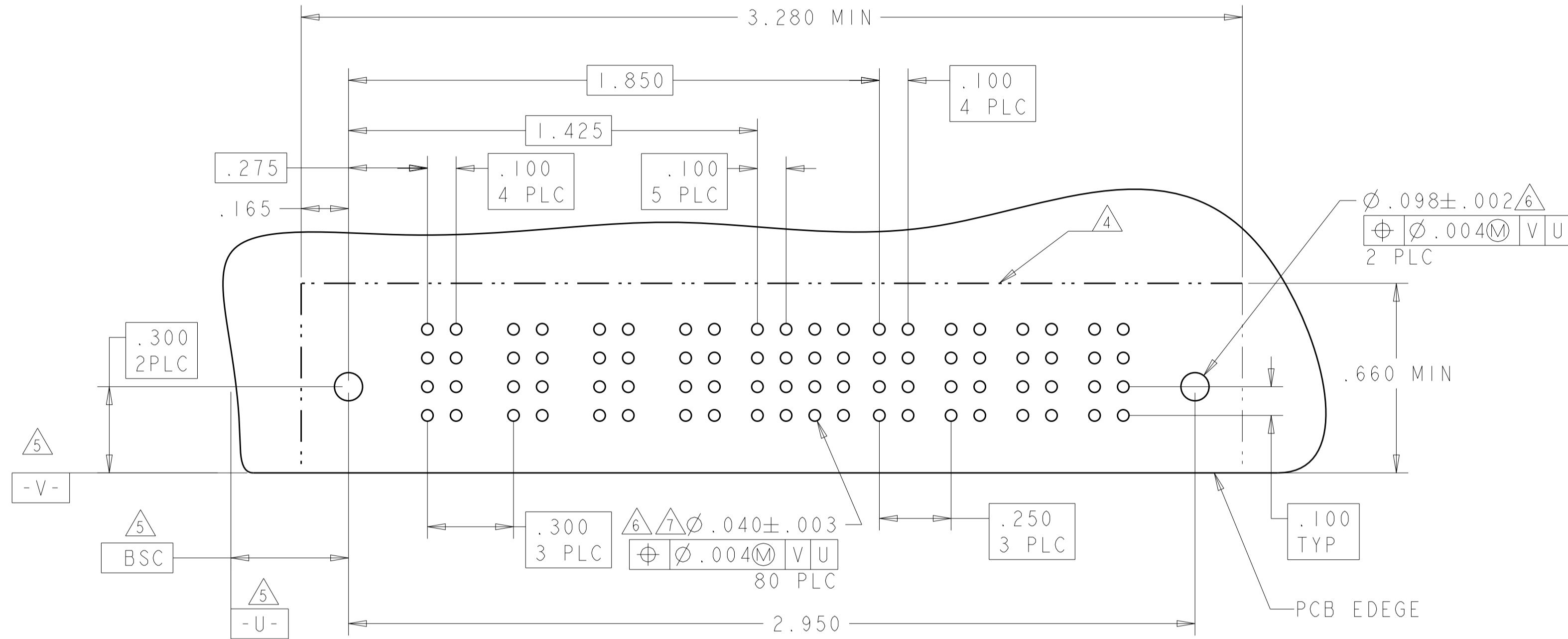
THIS DRAWING IS A CONTROLLED DOCUMENT.

DWG: R.GRZYBOWSKI 02FEB05	 TE Connectivity
CHK: M.PERCHEK 02FEB05	
APPD: M.PERCHEK 02FEB05	
NAME: RIGHT ANGLE HEADER W/GUIDES ASSEMBLY MULTI-BEAM XL	
DIMENSIONS: INCHES	TOLERANCES UNLESS OTHERWISE SPECIFIED:
0 PLC ±.01	1 PLC ±.01
2 PLC ±.01	3 PLC ±.005
4 PLC ±.002	ANGLES ±.2°
MATERIAL: -	FINISH: -
PRODUCT SPEC: 108-1973	APPLICATION SPEC: 114-13038
SIZE: A	CAGE CODE: 6450120
RESTRICTED TO: -	SCALE: 4:1 SHEET 11 OF 24 REV M2

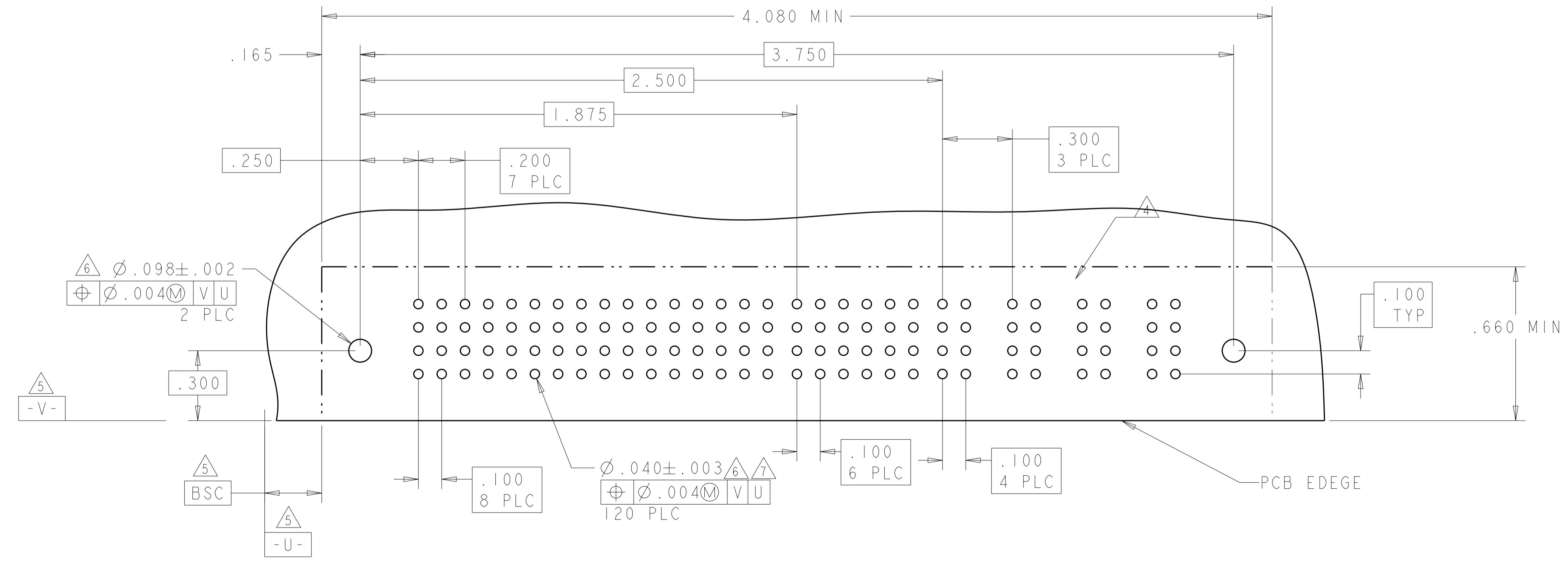
CUSTOMER DRAWING

LOC	DIST	REVISIONS			
P	LTN	DESCRIPTION	DATE	DWN	APVD
-	-	SEE SHEET 1	-	-	-

PART NUMBER	ROWS	POWER				SIGNAL				POWER			
		P1	P2	P3	P4	1	2	3	4	P5	P6	P7	P8
4-6450120-3	D C B A	PM	PM	PM	PM	J	J	J	J	PM	PM	PM	PM
						K	K	K	K				
						N	N	N	N				
						S	S	S	S				
4ACP + 16S + 4P													



PART NUMBER	ROWS	POWER								SIGNAL						POWER			
		P1	P2	P3	P4	P5	P6	P7	P8	1	2	3	4	5	6	P9	P10	P11	P12
4-6450120-4	D C B A	PM	PM	PM	PM	PM	PM	PM	PM	J	J	J	J	J	J	PM	PM	PM	PM
										K	K	K	K	K	K				
										N	N	N	N	N	N				
										S	S	S	S	S	S				
8P + 24S + 4ACP																			



THIS DRAWING IS A CONTROLLED DOCUMENT. DWN: R. GRZYBOWSKI 02FEB05
 CHK: M. PERCHERKE 02FEB05
 APVD: M. PERCHERKE 02FEB05

STE TE Connectivity

NAME: RIGHT ANGLE HEADER W/GUIDES ASSEMBLY MULTI-BEAM XL

PRODUCT SPEC: 108-1973
 APPLICATION SPEC: 114-13038

SIZE: A1 CAGE CODE: 6450120 DRAWING NO: 100779
 WEIGHT: -

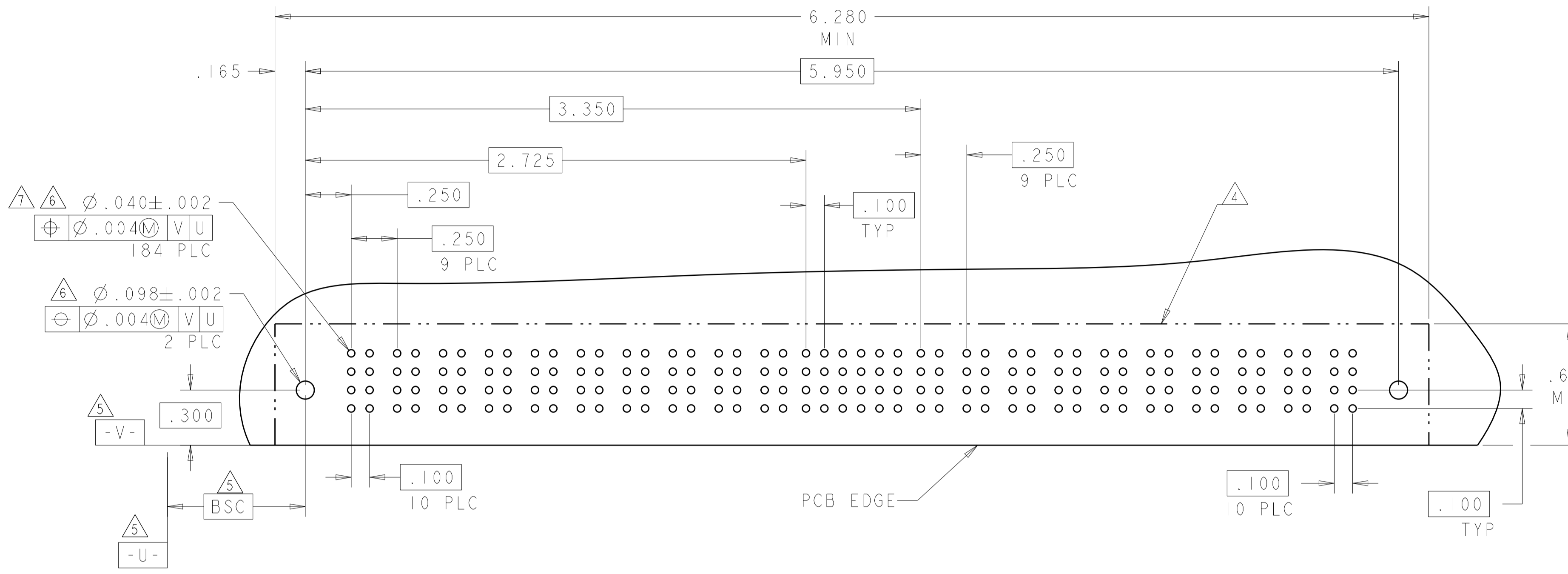
MATERIAL: - FINISH: -

CUSTOMER DRAWING SCALE: 4:1 SHEET 12 OF 24 REV: M2

LOC	DIST	REVISIONS					
ES	00	P	LTN	DESCRIPTION	DATE	OWN	APVD
				SEE SHEET 1			

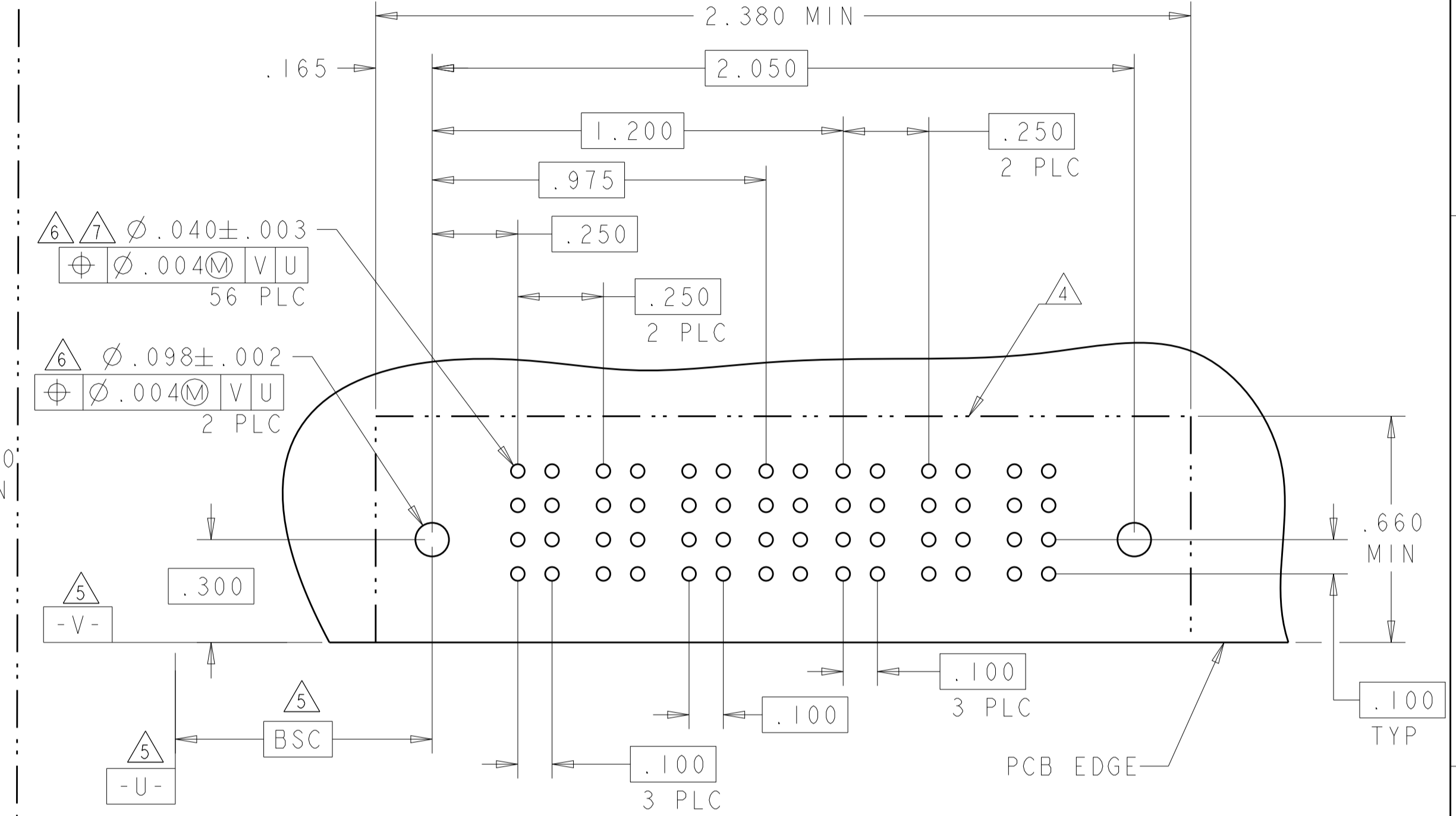
PART NUMBER	ROWS	POWER									SIGNAL						POWER									
		P1	P2	P3	P4	P5	P6	P7	P8	P9	P10	1	2	3	4	5	6	P11	P12	P13	P14	P15	P16	P17	P18	P19
4-6450120-5	D C B A	PM	PM	PM	PM	PM	PM	PM	PM	PM	J	J	J	J	J	J	PM	PM	PM	PM	PM	PM	PM	PM	PM	PM
											K	K	K	K	K	K										
											N	N	N	N	N	N										
											S	S	S	S	S	S										

10P + 24S + 10P



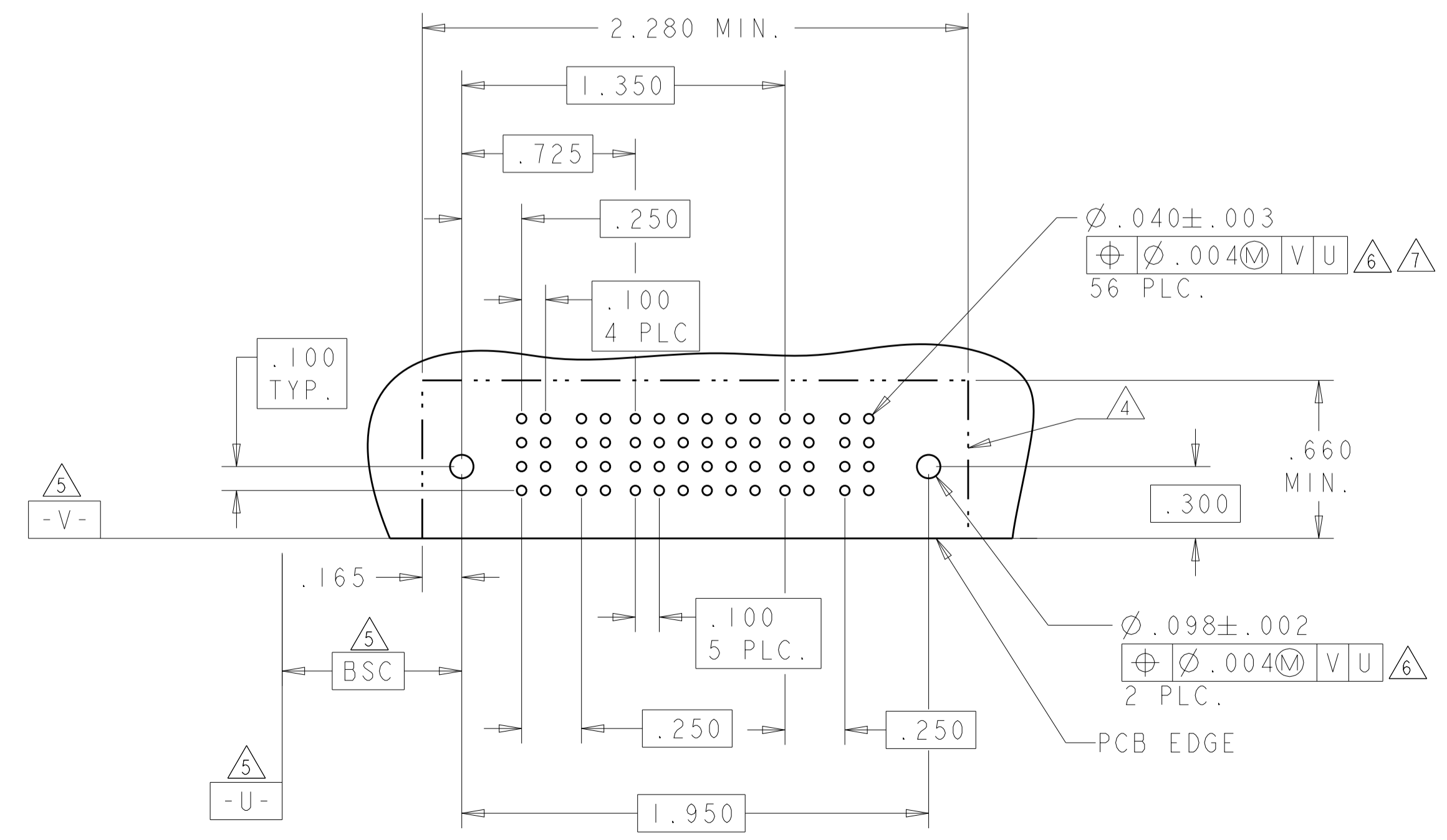
PART NUMBER	ROWS	POWER			SIGNAL		POWER		
		P1	P2	P3	1	2	P4	P5	P6
4-6450120-6	D C B A	PM	PM	PM	J	J	PM	PM	PM
					K	K			
					N	N			
					S	S			

3P + 8S + 3P



PART NUMBER	ROWS	POWER		SIGNAL						POWER	
		P1	P2	1	2	3	4	5	6	P3	P4
4-6450120-7	D C B A	PM	PM	J	J	J	J	J	J	PM	PM
				K	K	F	K	K	K		
				N	N	G	N	N	N		
				S	S	S	S	S	S		

2P + 24S + 2P



THIS DRAWING IS A CONTROLLED DOCUMENT. OWN: R. GRZYBOWSKI 02FEB05
 CHK: M. PERCHERKE 02FEB05
 APVD: M. PERCHERKE 02FEB05

STE TE Connectivity

NAME: RIGHT ANGLE HEADER W/GUIDES ASSEMBLY MULTI-BEAM XL

PRODUCT SPEC: 108-1973
 APPLICATION SPEC: 114-13038

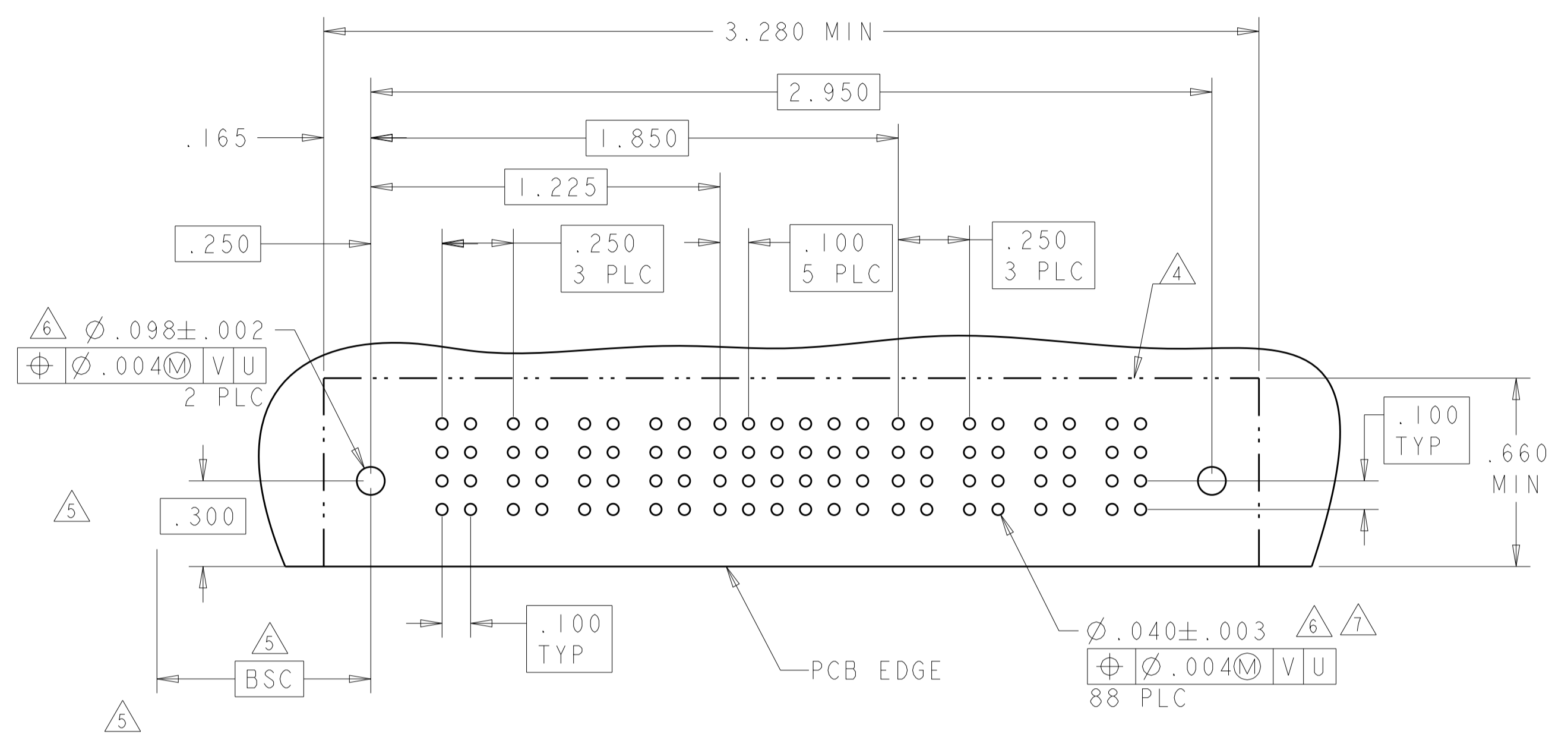
SIZE: A1 00779 C=6450120
 SCALE: 4:1 SHEET 13 OF 24 REV: M2

MATERIAL: - FINISH: - WEIGHT: -

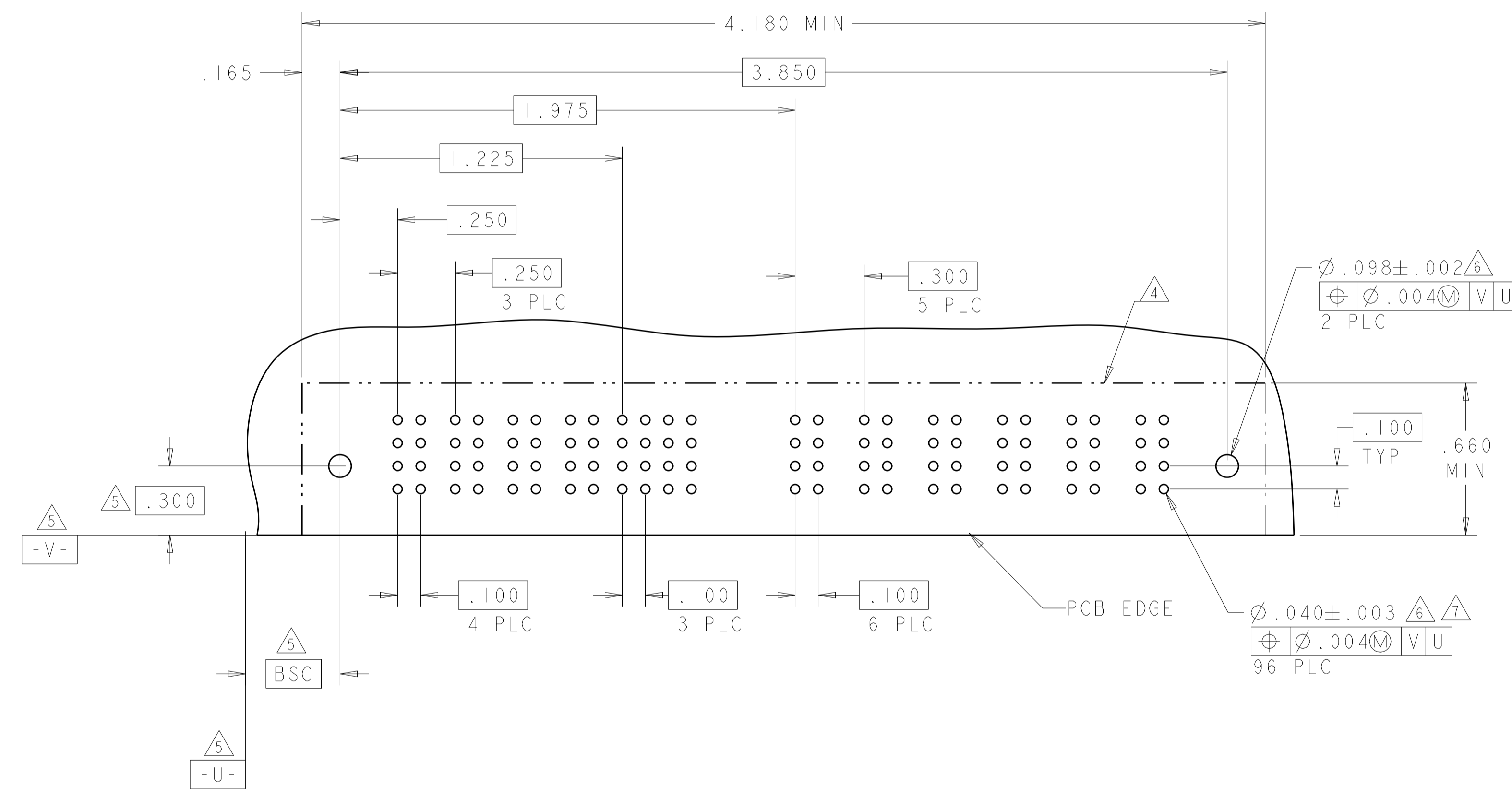
CUSTOMER DRAWING

LOC	DIST	REVISIONS			
P	LTN	DESCRIPTION	DATE	DMN	APVD
ES	00	SEE SHEET 1	-	-	-

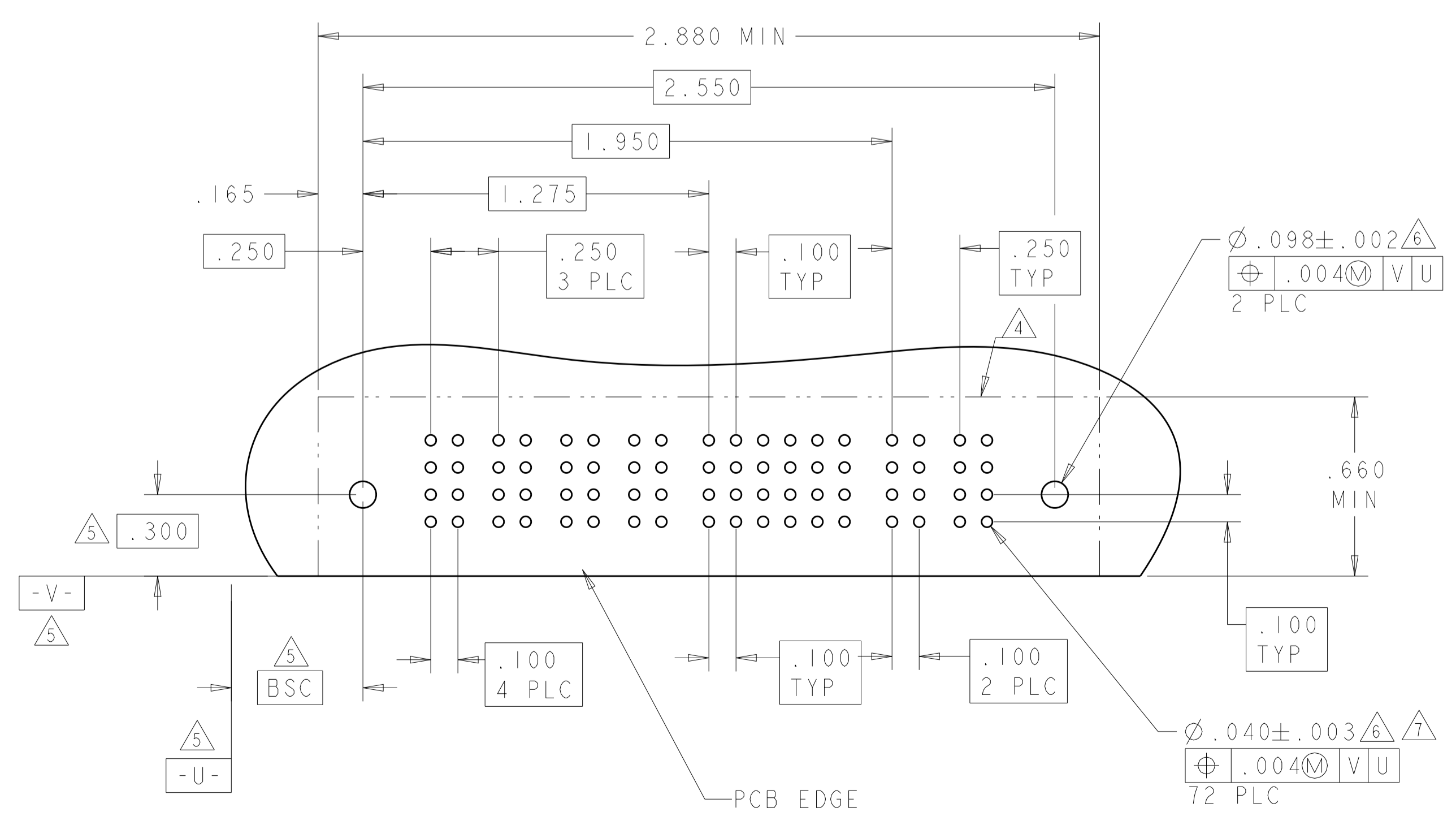
PART NUMBER	ROWS	POWER				SIGNAL						POWER			
		P1	P2	P3	P4	1	2	3	4	5	6	P5	P6	P7	P8
4-6450120-8	D	PM	PM	PM	PM	J	J	J	J	J	J	PM	PM	PM	PM
	C					K	K	K	K	K					
	B					N	N	N	N	N					
	A					S	S	S	S	S					
4P + 24S + 4P															



PART NUMBER	ROWS	POWER				SIGNAL				POWER						
		P1	P2	P3	P4	1	2	3	4	P5	P6	P7	P8	P9	P10	P11
5-6450120-0	D	PM	PM	PM	PM	J	J	J	J	PM	PM	PM	PM	PM	PM	
	C					K	K	K	K							
	B					N	N	N	N							
	A					S	S	S	S							
4P + 16S + 7ACP																



PART NUMBER	ROWS	POWER				SIGNAL						POWER	
		P1	P2	P3	P4	1	2	3	4	5	6	P5	P6
2-6450120-5	D	PM	PM	PM	PM	J	J	J	J	J	J	PM	PM
	C					K	K	K	K	K			
	B					N	N	N	N	N			
	A					S	S	S	S	S			
4P + 24S + 2P													

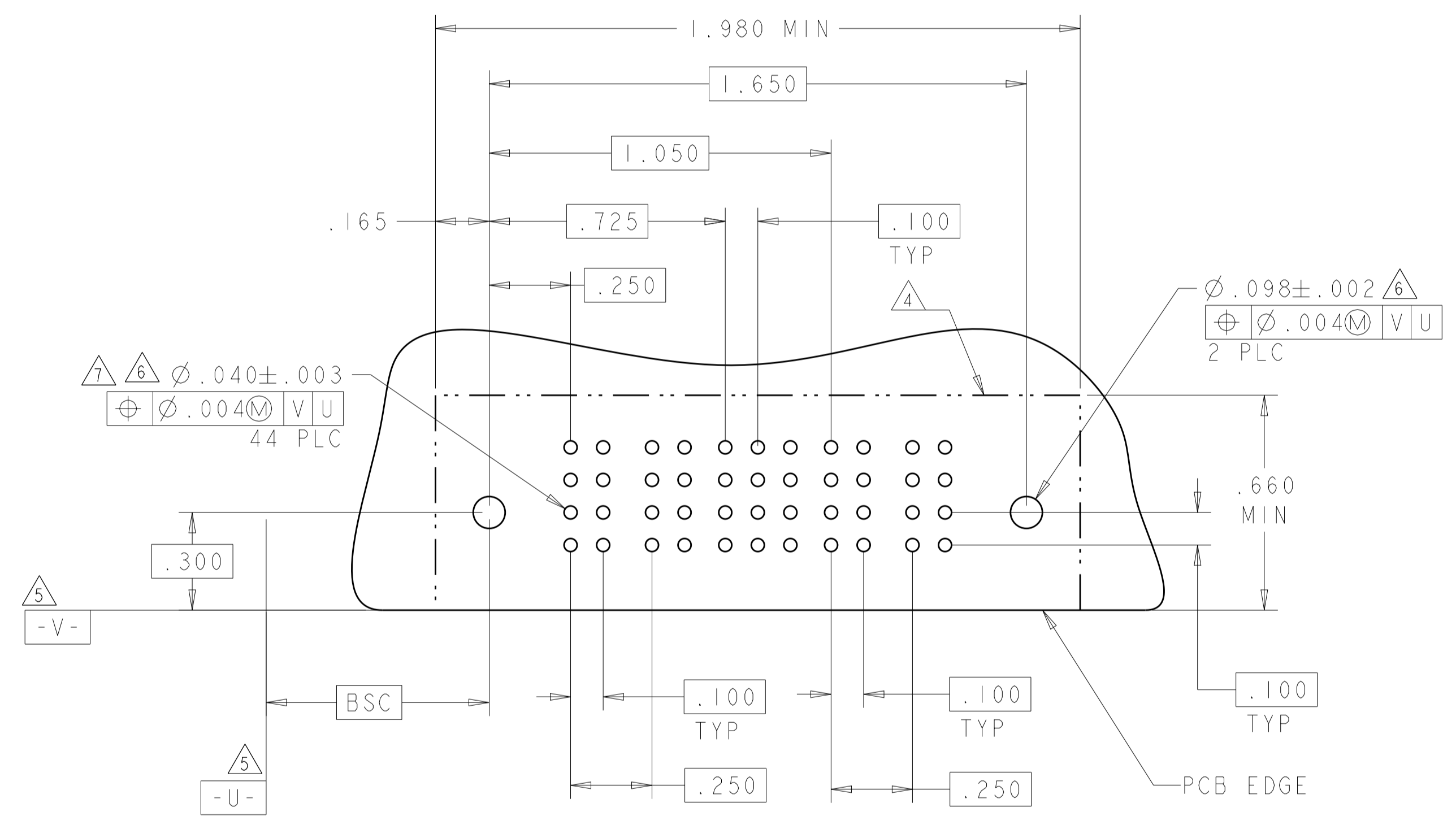


THIS DRAWING IS A CONTROLLED DOCUMENT.

DIMENSIONS: INCHES 	TOLERANCES UNLESS OTHERWISE SPECIFIED: 0 PLC ±. 1 PLC ±.01 2 PLC ±.01 3 PLC ±.005 4 PLC ±.0020 ANGLES ±.020 FINISH	DWG: R.GRZYBOWSKI 02FEB05 CHK: M.PERCHEK 02FEB05 APVD: M.PERCHEK 02FEB05 PRODUCT SPEC: 108-1973 APPLICATION SPEC: 114-13038 WEIGHT: - CUSTOMER DRAWING	NAME: RIGHT ANGLE HEADER W/GUIDES ASSEMBLY MULTI-BEAM XL SIZE: A1 CAGE CODE: 6450120 DRAWING NO: 100779 SCALE: 4:1 SHEET: 14 OF 24 REV: M2	TE Connectivity
---------------------------	---	--	--	-----------------

LOC		DIST		REVISIONS			
ES	00	P	LTN	DESCRIPTION	DATE	DMN	APVD
		-		SEE SHEET 1			

PART NUMBER	ROWS	POWER		SIGNAL			POWER	
		P1	P2	1	2	3	P3	P4
4-6450120-9	D			J	J	J		
	C	PM	PM	K	K	K	PM	PM
	B			N	N	N		
	A			S	S	S		
2P + 12S + 2P								

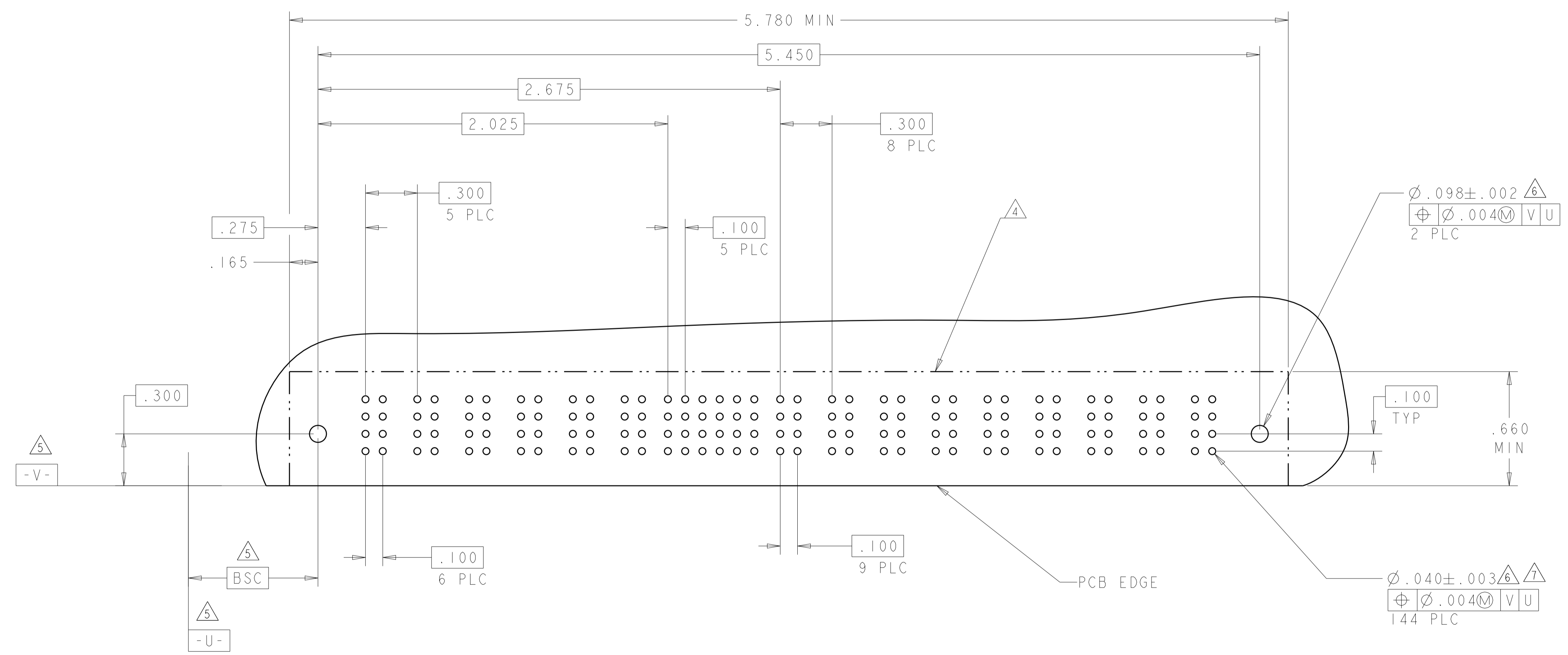


THIS DRAWING IS A CONTROLLED DOCUMENT.		DMN R. GRZYBOWSKI 02FEB05	TE Connectivity											
DIMENSIONS: INCHES		CHK M. PERCHERKE 02FEB05												
TOLERANCES UNLESS OTHERWISE SPECIFIED:		APVD M. PERCHERKE 02FEB05	NAME RIGHT ANGLE HEADER W/GUIDES ASSEMBLY MULTI-BEAM XL											
<table border="1"> <tr><td>0 PLC</td><td>±</td></tr> <tr><td>2 PLC</td><td>±.01</td></tr> <tr><td>3 PLC</td><td>±.005</td></tr> <tr><td>4 PLC</td><td>±.0020</td></tr> <tr><td>ANGLES</td><td>±.2°</td></tr> </table>		0 PLC	±	2 PLC	±.01	3 PLC	±.005	4 PLC	±.0020	ANGLES	±.2°	PRODUCT SPEC 108-1973	SIZE A100779C=6450120	
0 PLC	±													
2 PLC	±.01													
3 PLC	±.005													
4 PLC	±.0020													
ANGLES	±.2°													
MATERIAL		APPLICATION SPEC 114-13038	RESTRICTED TO											
FINISH		WEIGHT	SCALE 4:1 SHEET 15 OF 24 REV M2											
		CUSTOMER DRAWING												

LOC	DIST	REVISIONS					
		P	LTH	DESCRIPTION	DATE	DMN	APVD
ES	00	-		SEE SHEET 1			

PART NUMBER	ROWS	POWER						SIGNAL						POWER									
		P1	P2	P3	P4	P5	P6	1	2	3	4	5	6	P7	P8	P9	P10	P11	P12	P13	P14	P15	
5-6450120-2	D C B A	PM	PM	PM		PM	J	J		J	E												
							K	K		K	K												
							N	N		N	N												
6P + 24S + 9P							S	S		S	H												

(J1)



THIS DRAWING IS A CONTROLLED DOCUMENT.

DIMENSIONS: INCHES	TOLERANCES UNLESS OTHERWISE SPECIFIED: 0 PLC ±. 1 PLC ±.01 2 PLC ±.01 3 PLC ±.005 4 PLC ±.0020 ANGLES ±.04°	DMN R. GRZYBOWSKI CHK M. PERCHERKE APVD M. PERCHERKE PRODUCT SPEC 108-1973 APPLICATION SPEC 114-13038 WEIGHT -	02FEB05 02FEB05 02FEB05 02FEB05 -	STE TE Connectivity
MATERIAL	FINISH	NAME RIGHT ANGLE HEADER W/GUIDES ASSEMBLY MULTI-BEAM XL	SIZE A100779	RESTRICTED TO
CUSTOMER DRAWING			SCALE 4:1	SHEET 16 OF 24

LOC	DIST	REV	DATE	BY	APPV
ES	00				

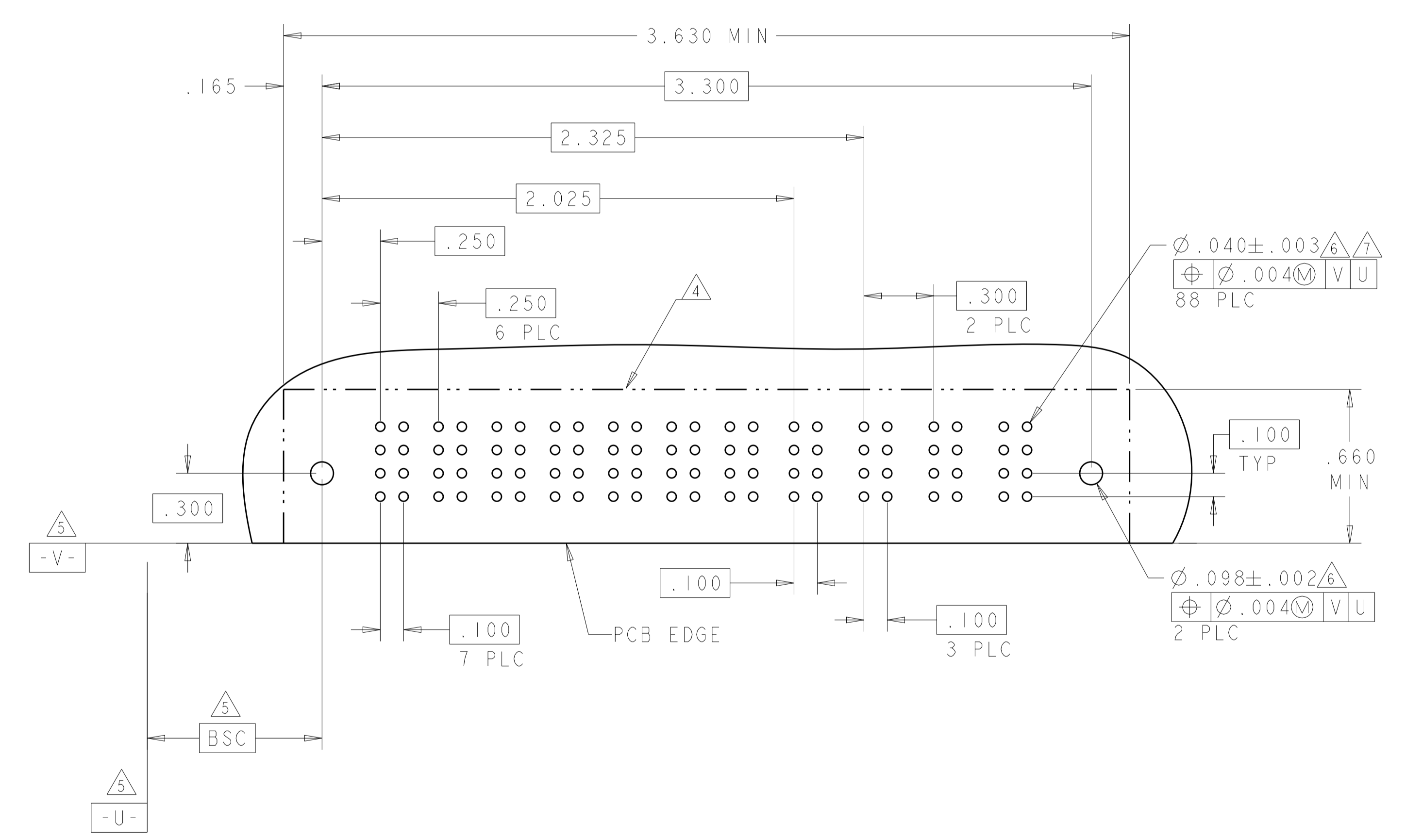
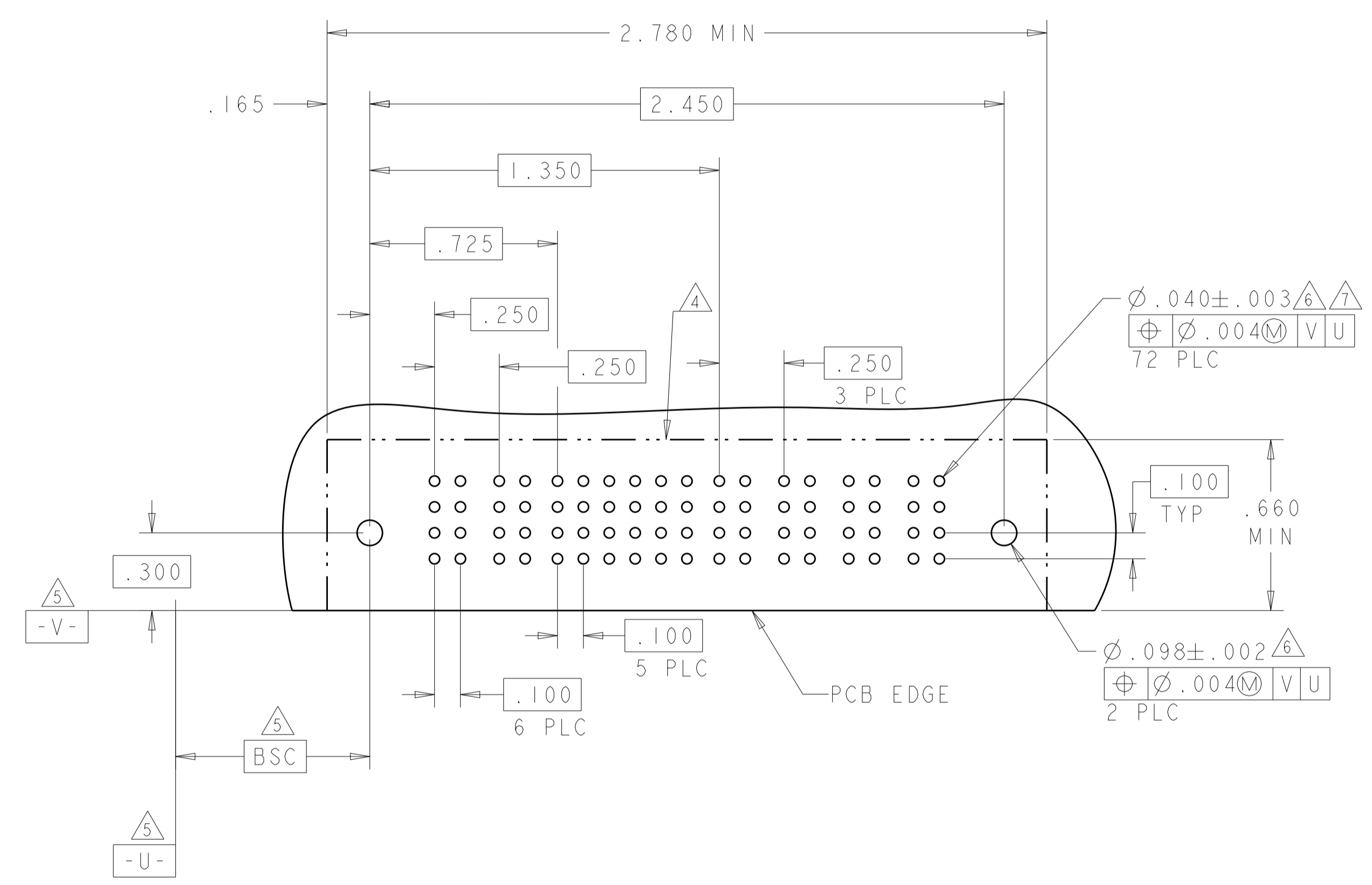
REVISIONS			
REV	DATE	BY	APPV
-	-	-	-
SEE SHEET 1			

PART NUMBER	ROWS	POWER		SIGNAL						POWER			
		P1	P2	1	2	3	4	5	6	P3	P4	P5	P6
5-6450120-3	D	PM	PM	J	J	J	J	J	J	PM	PM	PM	PM
	C			K	K	K	K	K	K				
	B			N	N	N	N	N	N				
	A			S	S	S	S	S	S				

2P + 24S + 4P

PART NUMBER	ROWS	POWER							SIGNAL		POWER		
		P1	P2	P3	P4	P5	P6	P7	1	2	P8	P9	P10
5-6450120-5	D	PM	PM	PM	PM	PM	PM	PM	J	J	PM	PM	PM
	C								K	K			
	B								N	N			
	A								S	S			

7P + 8S + 3ACP



THIS DRAWING IS A CONTROLLED DOCUMENT.		OWN: R. GRZYBOWSKI 02FEB05	 TE Connectivity
DIMENSIONS: INCHES		CHK: M. PERCHERKE 02FEB05	
TOLERANCES UNLESS OTHERWISE SPECIFIED: 0 PLC ±. 1 PLC ±.01 2 PLC ±.01 3 PLC ±.005 4 PLC ±.0020 ANGLES ±.2° FINISH -		APVD: M. PERCHERKE 02FEB05	NAME: RIGHT ANGLE HEADER W/GUIDES ASSEMBLY MULTI-BEAM XL
MATERIAL: -		PRODUCT SPEC: 108-1973	SIZE: CAGE CODE DRAWING NO: A100779C=6450120
CUSTOMER DRAWING		APPLICATION SPEC: 114-13038	RESTRICTED TO: -
		WEIGHT: -	SCALE: 4:1 SHEET 17 OF 24 REV: M2

LOC		DIST		REVISIONS			
ES	00	P	LTN	DESCRIPTION	DATE	DMN	APVD
		-		SEE SHEET 1		-	-

(L9)

PART NUMBER	ROWS	POWER		SIGNAL			POWER	
		P1	P2	1	2	3	P3	P4
6-6450120-9	D C B A	PM	PM	J	J	E	PM	HD
				K	K	K		
				N	N	N		
				H	S	S		

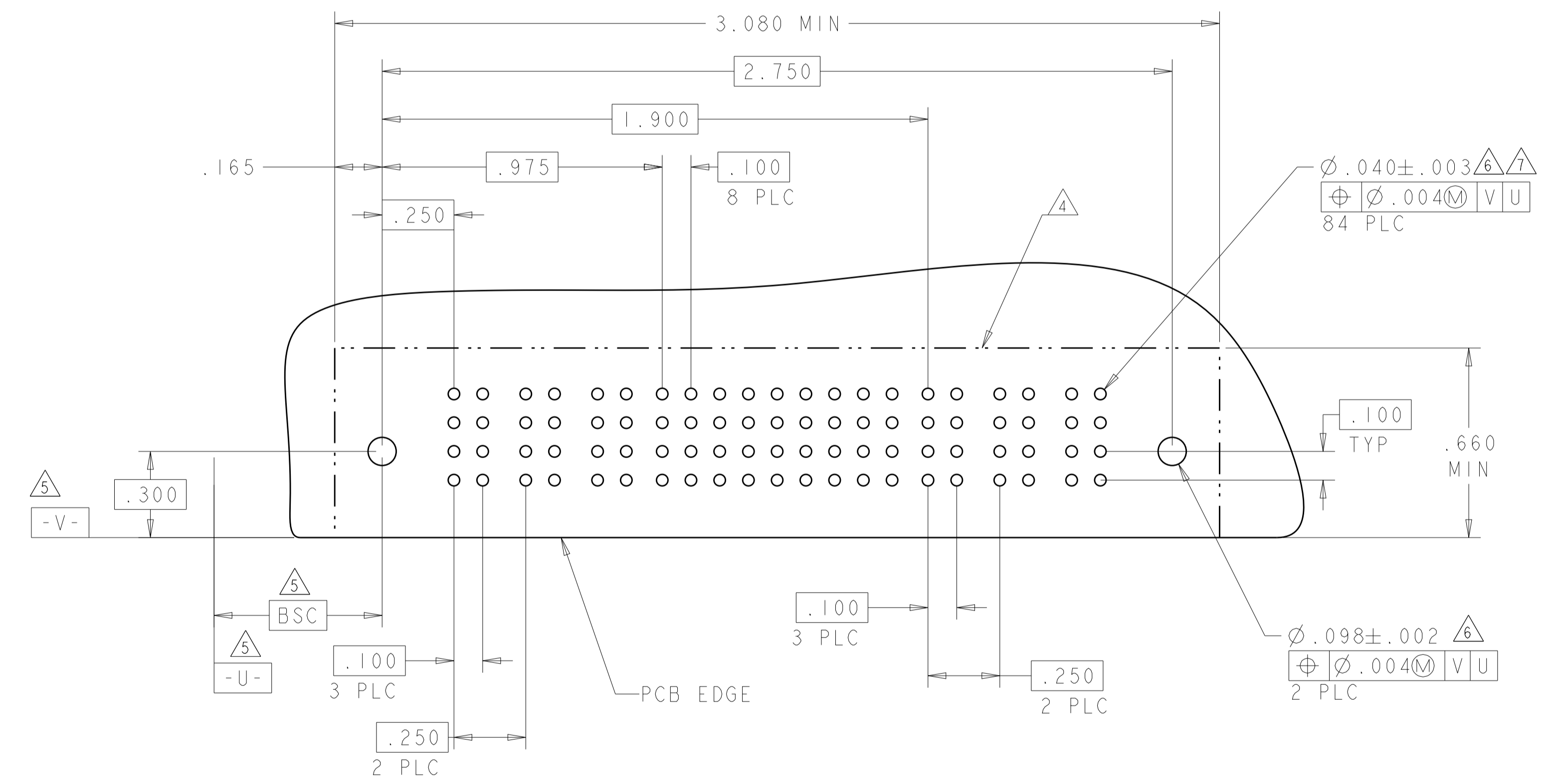
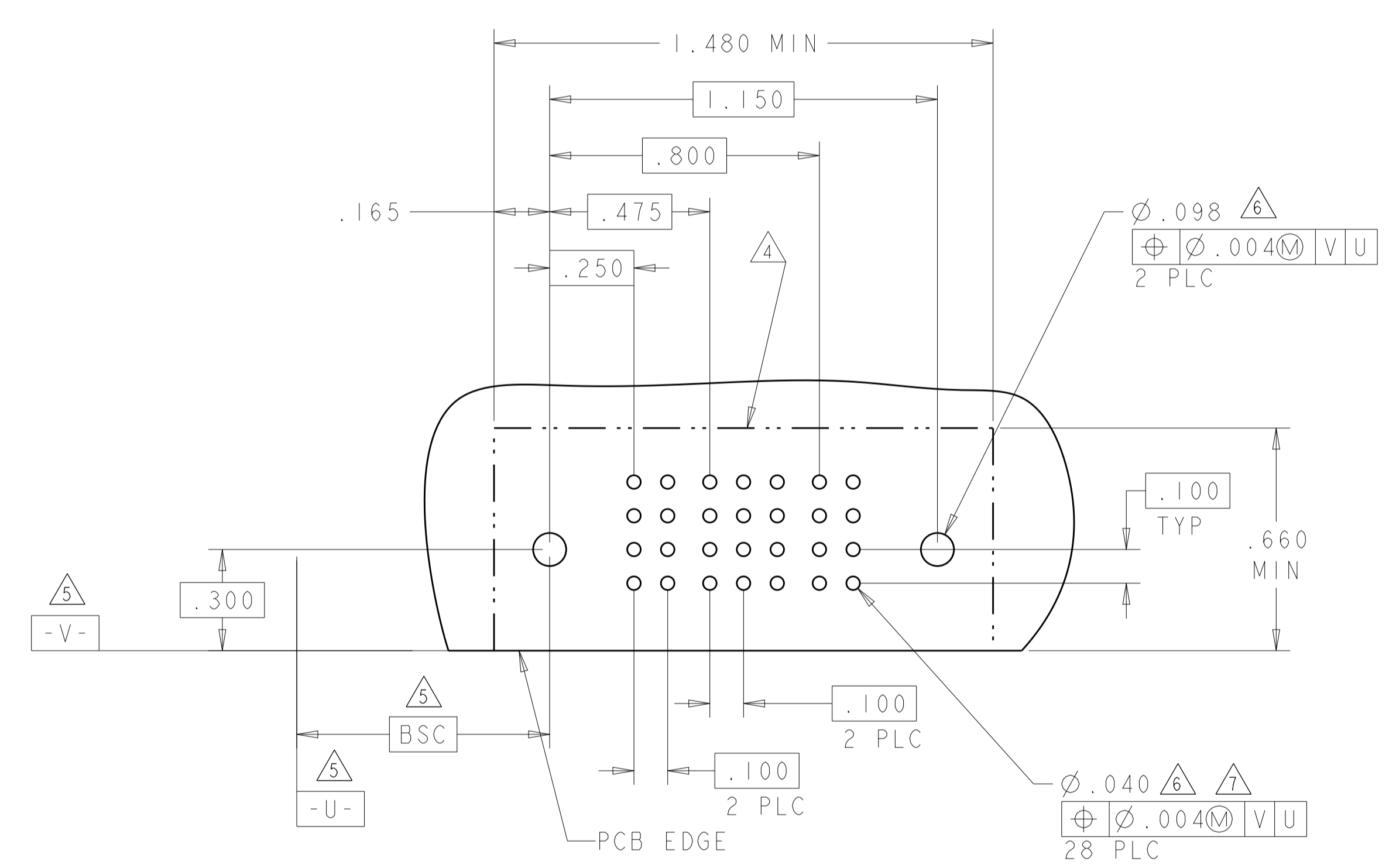
IP + 12S + IP

PART NUMBER	ROWS	POWER			SIGNAL									POWER							
		P1	P2	P3	1	2	3	4	5	6	7	8	9	P4	P5	P6					
5-6450120-7	D C B A	PM	PM	PM	J	J	J	J	J	J	J	J	J	J	J	J	J	PM	PM	PM	HD
					K	K	K	K	K	K	K	K	K	K	K	K					
					N	N	N	N	N	N	N	N	N	N	N	N	N				
					S	S	S	S	S	S	S	S	S	S	S	S	S				

3P + 36S + 3P

PART NUMBER	ROWS	POWER		SIGNAL			POWER	
		P1	P2	1	2	3	P3	P4
5-6450120-6	D C B A	PM	PM	J	J	J	PM	HD
				K	K	K		
				N	N	N		
				S	S	S		

IP + 12S + IP



THIS DRAWING IS A CONTROLLED DOCUMENT.

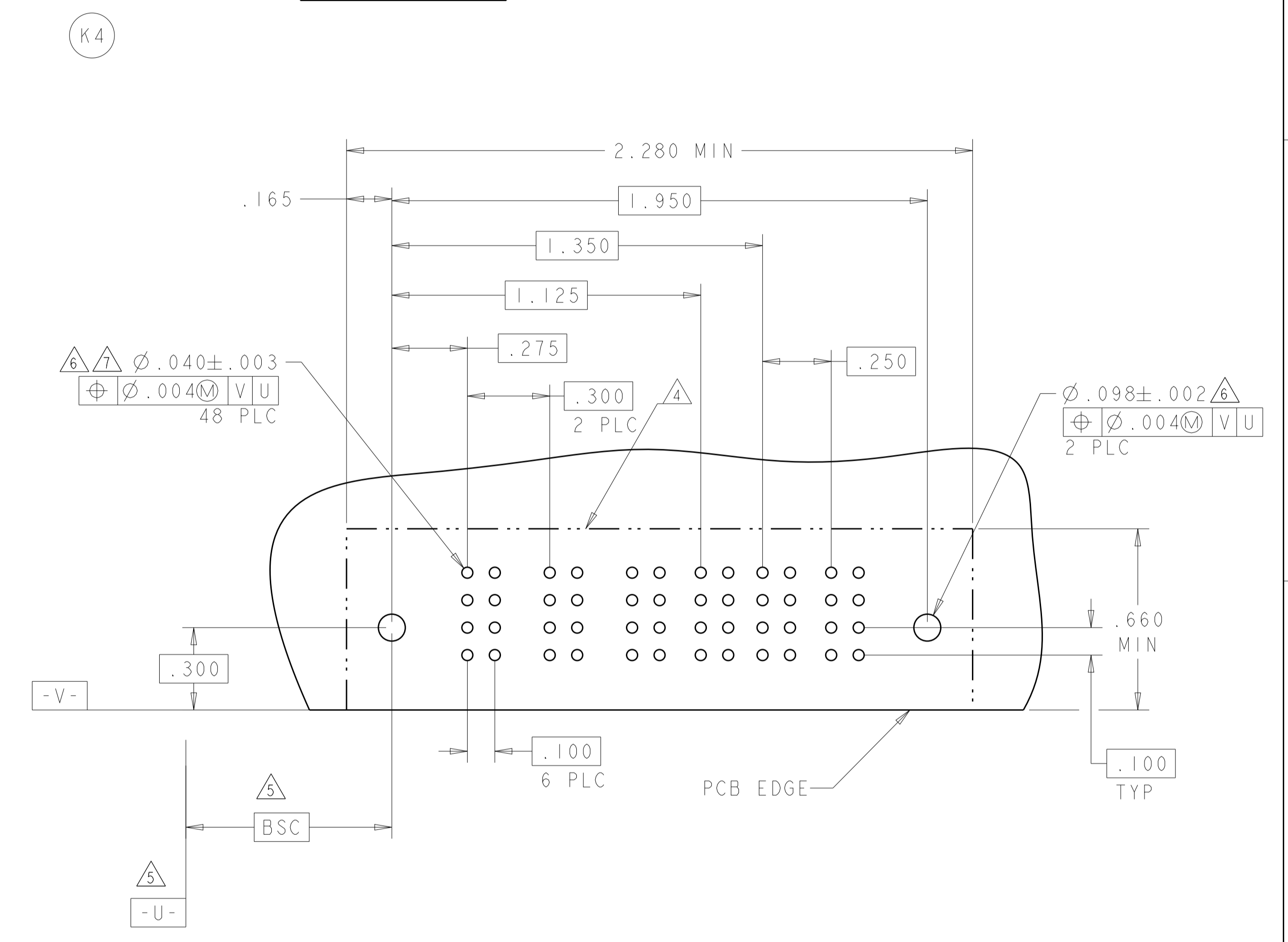
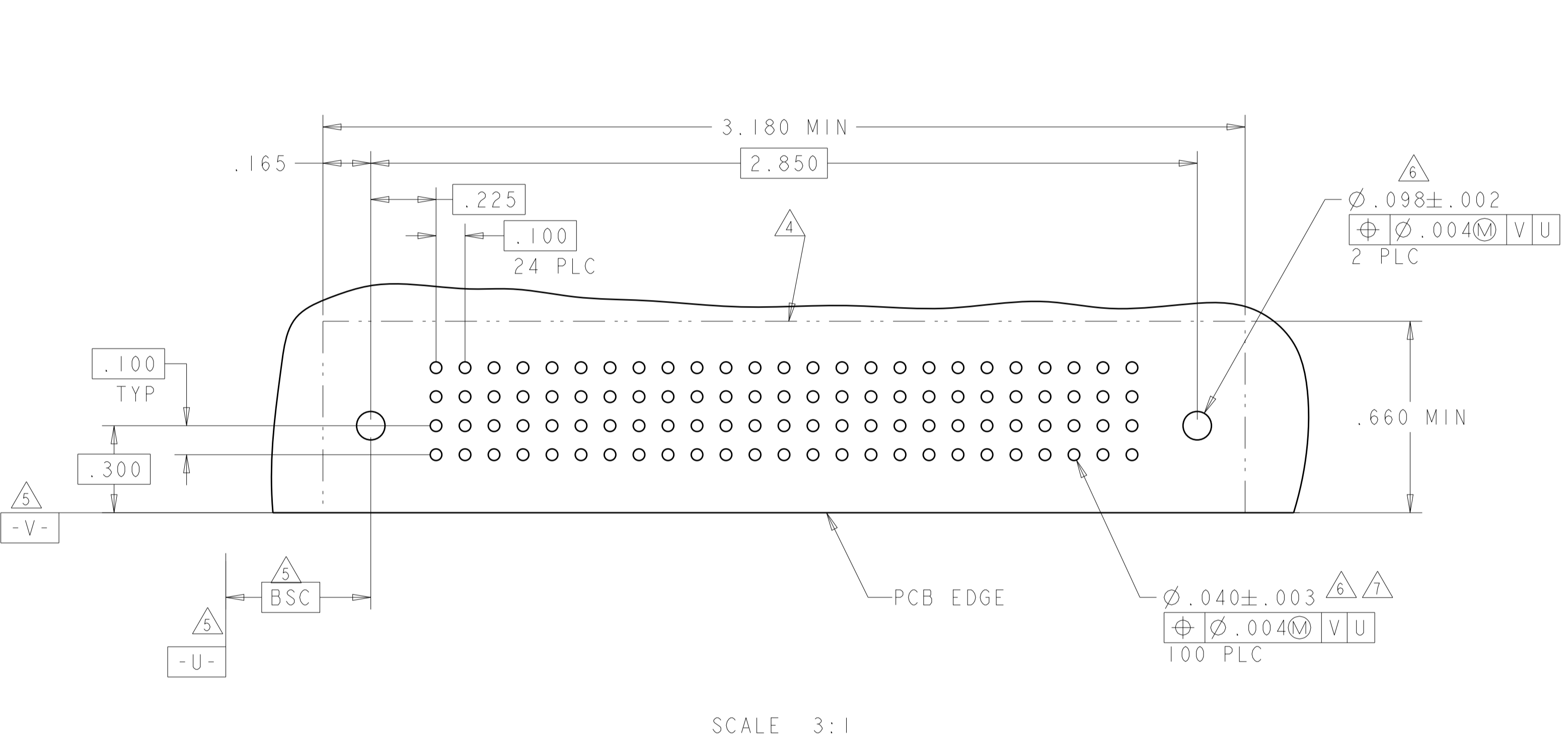
DIMENSIONS:	TOLERANCES UNLESS OTHERWISE SPECIFIED:	DMN R.GRZYBOWSKI 02FEB05	CHK M.PERCHEK 02FEB05	APVD M.PERCHEK 02FEB05	NAME
INCHES	0 PLC ± .01 1 PLC ± .01 2 PLC ± .01 3 PLC ± .005 4 PLC ± .002 ANGLES ± .020	PRODUCT SPEC	108-1973	APPLICATION SPEC	RIGHT ANGLE HEADER W/GUIDES ASSEMBLY MULTI-BEAM XL
MATERIAL	FINISH	SIZE	CAGE CODE	DRAWING NO	RESTRICTED TO
		A100779	C=6450120	114-13038	
		CUSTOMER DRAWING			SCALE 4:1 SHEET 18 OF 24 REV M2

STE TE Connectivity

LOC	DIST	REV	DATE	APPV
ES	00			
		REVISIONS		
		DESCRIPTION	DATE	APPV
		SEE SHEET 1		

PART NUMBER	ROWS	SIGNAL																								
		1	2	3	4	5	6	7	8	9	10	11	12	13	14	15	16	17	18	19	20	21	22	23	24	25
5-6450120-8	D	J	J	J	J	J	J	J	J	J	J	J	J	J	J	J	J	J	J	J	J	J	J	J	J	J
	C	K	K	K	K	K	K	K	K	K	K	K	K	K	K	K	K	K	K	K	K	K	K	K	K	K
	B	N	N	N	N	N	N	N	N	N	N	N	N	N	N	N	N	N	N	N	N	N	N	N	N	N
A	S	S	S	S	S	S	S	S	S	S	S	S	S	S	S	S	S	S	S	S	S	S	S	S	S	
		HD																							HD	
100S																										

PART NUMBER	ROWS	POWER			SIGNAL		POWER	
		P1	P2	P3	1	2	P4	P5
5-6450120-9	D	PM	PM	PM	J	J	PM	PM
	C				K	K		
	B				N	N		
A				H	S			
		HD					HD	
3ACP + 8S + 2P								



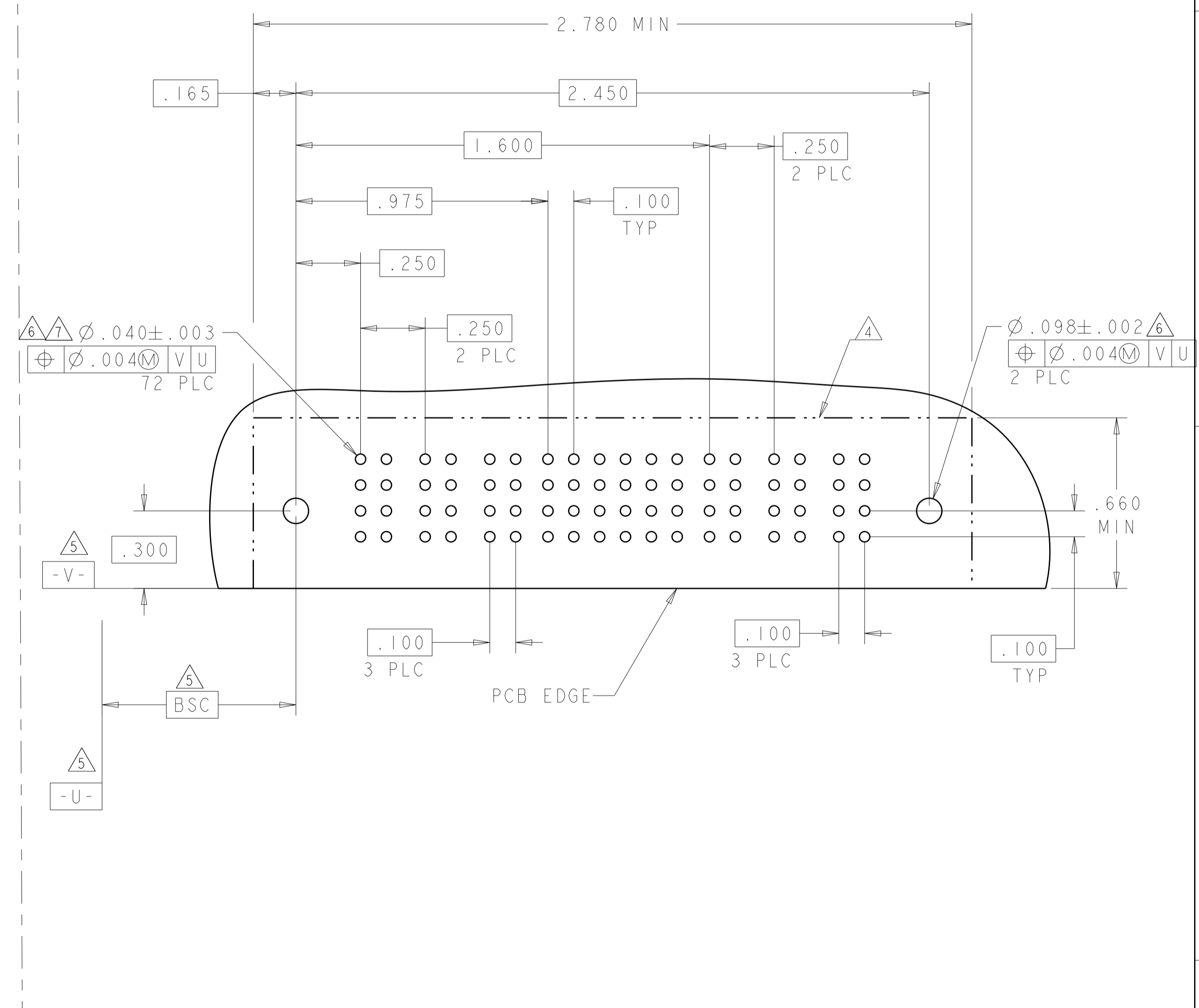
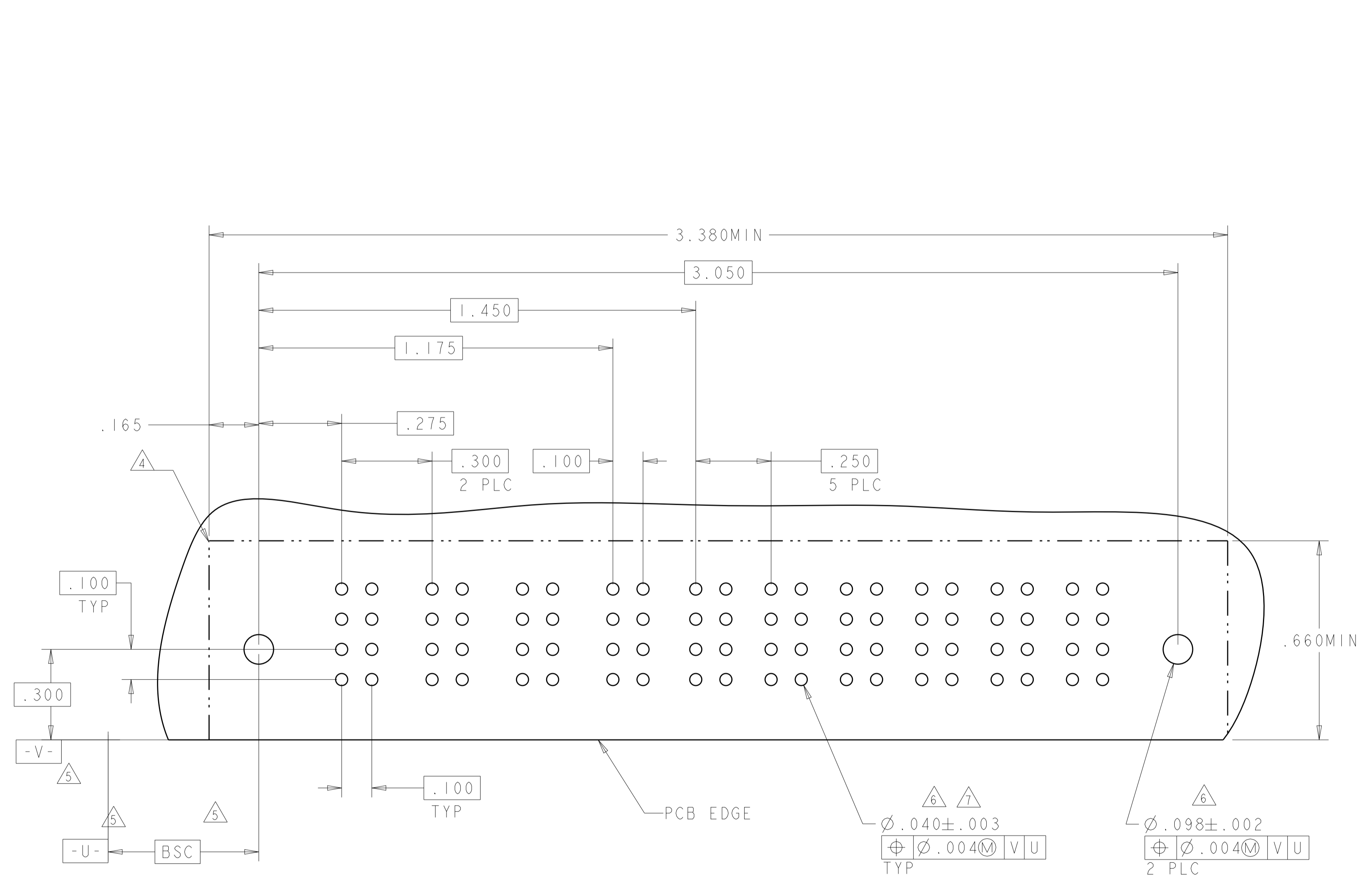
THIS DRAWING IS A CONTROLLED DOCUMENT.

DIMENSIONS:	TOLERANCES UNLESS OTHERWISE SPECIFIED:	OWN: R. GRZYBOWSKI 02FEB05	CHK: M. PERCHERKE 02FEB05	APV: M. PERCHERKE 02FEB05	NAME: R. GRZYBOWSKI
INCHES	0 PLC ± .01 2 PLC ± .01 3 PLC ± .01 4 PLC ± .005 ANGLES ± .0020	PRODUCT SPEC: 108-1973	APPLICATION SPEC: 114-13038	WEIGHT: -	RESTRICTED TO: -
MATERIAL: -	FINISH: -	SIZE: A1	CAGE CODE: 6450120	SCALE: 4:1	SHEET 19 OF 24
CUSTOMER DRAWING		TE Connectivity			REV: M2

LOC		DIST		REVISIONS			
P	LTN	DATE	DMN	APVD			
ES	00	-	-	-	SEE SHEET 1		-

PART NUMBER	ROWS	POWER			SIGNAL		POWER					
		P1	P2	P3	1	2	P4	P5	P6	P7	P8	P9
6-6450120-0	D	PM	PM	PM	J	J	PM	PM	PM	PM	PM	PM
	C				K	K						
	B				N	N						
	A				H	S						
3ACP + 8S + 6P												

PART NUMBER	ROWS	POWER			SIGNAL						POWER		
		P1	P2	P3	1	2	3	4	5	6	P4	P5	P6
6-6450120-1	D	PM	PM	PM	J	J	J	J	J	J	PM	PM	PM
	C				K	K	F	F	K	K			
	B				N	N	G	G	N	N			
	A				S	S	S	S	S	S			
3P + 24S + 3P													



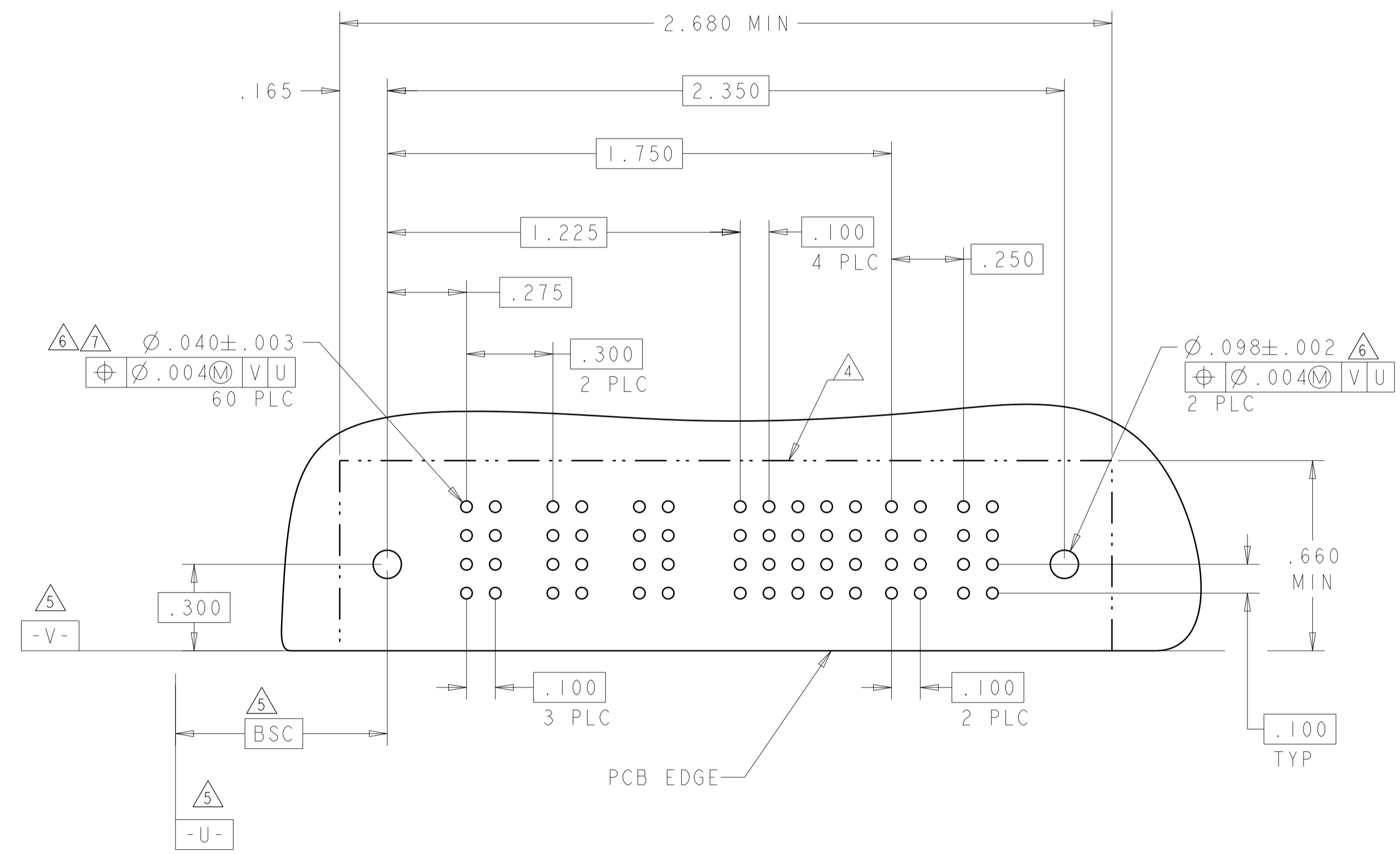
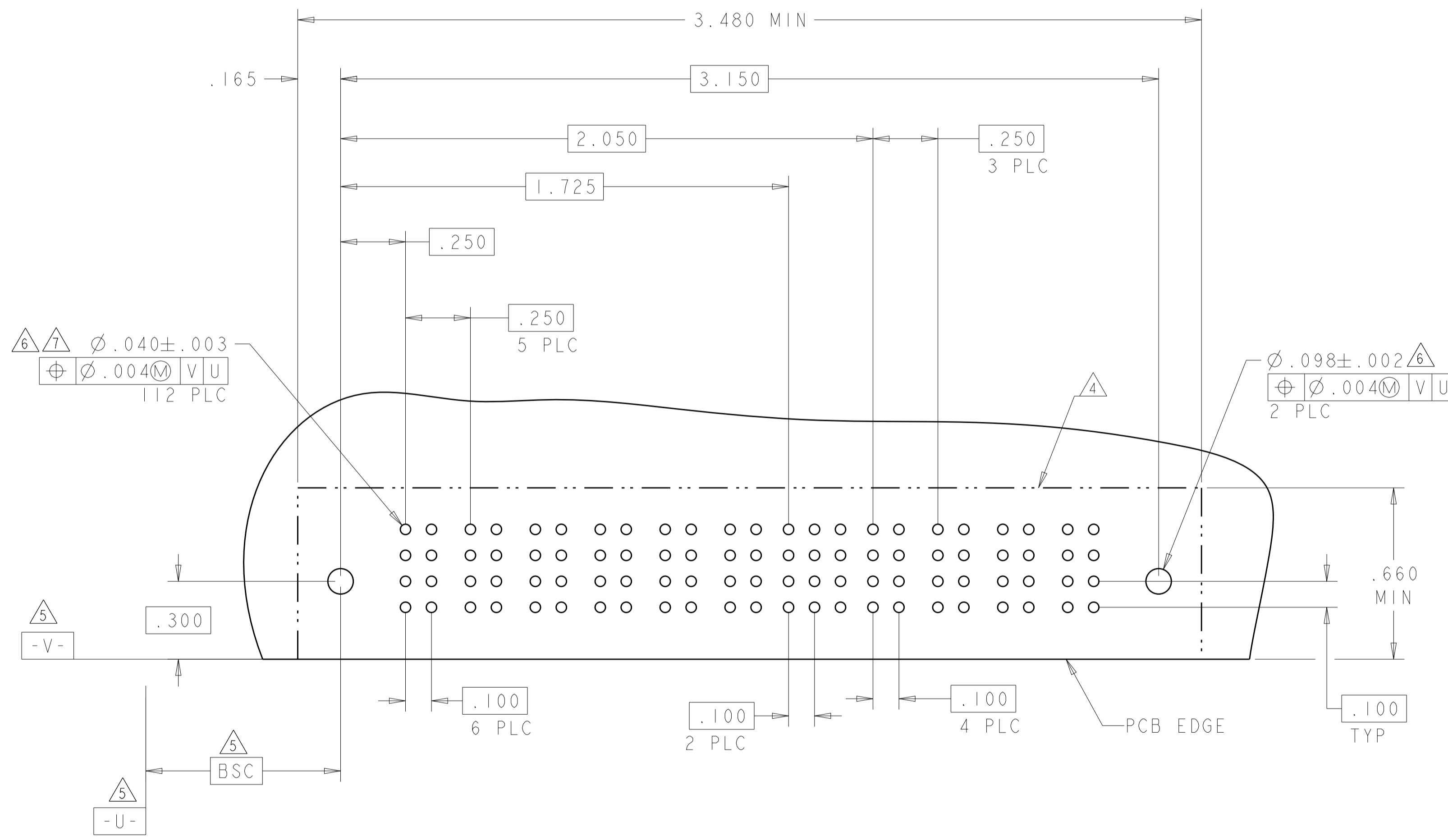
THIS DRAWING IS A CONTROLLED DOCUMENT.		OWN: R. GRZYBOWSKI 02FEB05	TE Connectivity
DIMENSIONS: INCHES		CHK: M. PERCHERKE 02FEB05	
TOLERANCES UNLESS OTHERWISE SPECIFIED:		APVD: M. PERCHERKE 02FEB05	NAME: RIGHT ANGLE HEADER W/GUIDES ASSEMBLY MULTI-BEAM XL
0 PLC ± 1 PLC ±.01 2 PLC ±.01 3 PLC ±.005 4 PLC ±.002 ANGLES ±.020		PRODUCT SPEC: 108-1973	SIZE: CAGE CODE: DRAWING NO: A100779
MATERIAL: FINISH:		APPLICATION SPEC: 114-13038	RESTRICTED TO: -
		WEIGHT: -	SCALE: 4:1 SHEET 20 OF 24 REV: M2
		CUSTOMER DRAWING	SCALE: 4:1 SHEET 20 OF 24 REV: M2

LOC	DIST	REVISIONS			
P	LTN	DESCRIPTION	DATE	DMN	APVD
-	-	SEE SHEET 1	-	-	-

PART NUMBER	ROWS	POWER						SIGNAL			POWER			
		P1	P2	P3	P4	P5	P6	1	2	3	P7	P8	P9	P10
6-6450120-4	D C B A	PM	PM	PM	PM	PM	PM	J	J	E	PM	PM	PM	PM
								K	K	F				
								N	N	N				
6P + 12S + 4P		HD		HD										

PART NUMBER	ROWS	POWER			SIGNAL						POWER	
		P1	P2	P3	1	2	3	4	5	6	P4	P5
6-6450120-5	D C B A	PM	PM	PM	J	J	J	J	J	J	PM	PM
					K	K	K	K	K			
					N	N	N	N	N			
3ACP + 24S + 2P		HD		HD								

NO CONTACTS LOADED



THIS DRAWING IS A CONTROLLED DOCUMENT.

DIMENSIONS: INCHES	TOLERANCES UNLESS OTHERWISE SPECIFIED: 0 PLC ±. 1 PLC ±.01 2 PLC ±.01 3 PLC ±.005 4 PLC ±.0020 ANGLES ±.7°	DMN	R. GRZYBOWSKI	02FEB05
		CHK	M. PERCHERKE	02FEB05
		APVD	M. PERCHERKE	02FEB05
MATERIAL		PRODUCT SPEC	NAME	
FINISH		108-1973	RIGHT ANGLE HEADER W/GUIDES ASSEMBLY	
		APPLICATION SPEC	MULTI-BEAM XL	
		114-13038	SIZE	CAGE CODE
		WEIGHT	A100779	DRAWING NO
		CUSTOMER DRAWING	C=6450120	
		SCALE	4:1	SHEET 21 OF 24
		REV	M2	

RESTRICTED TO

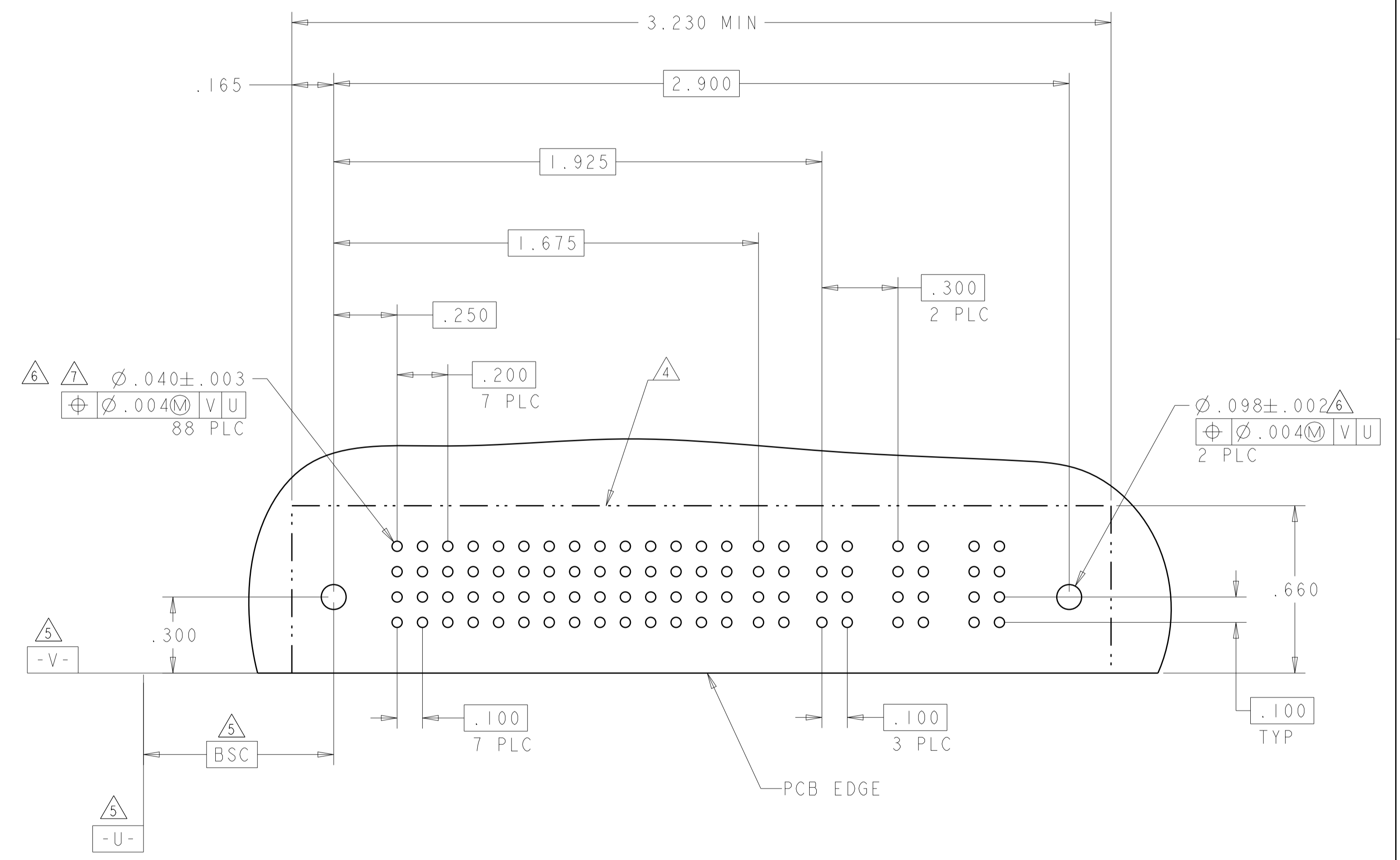
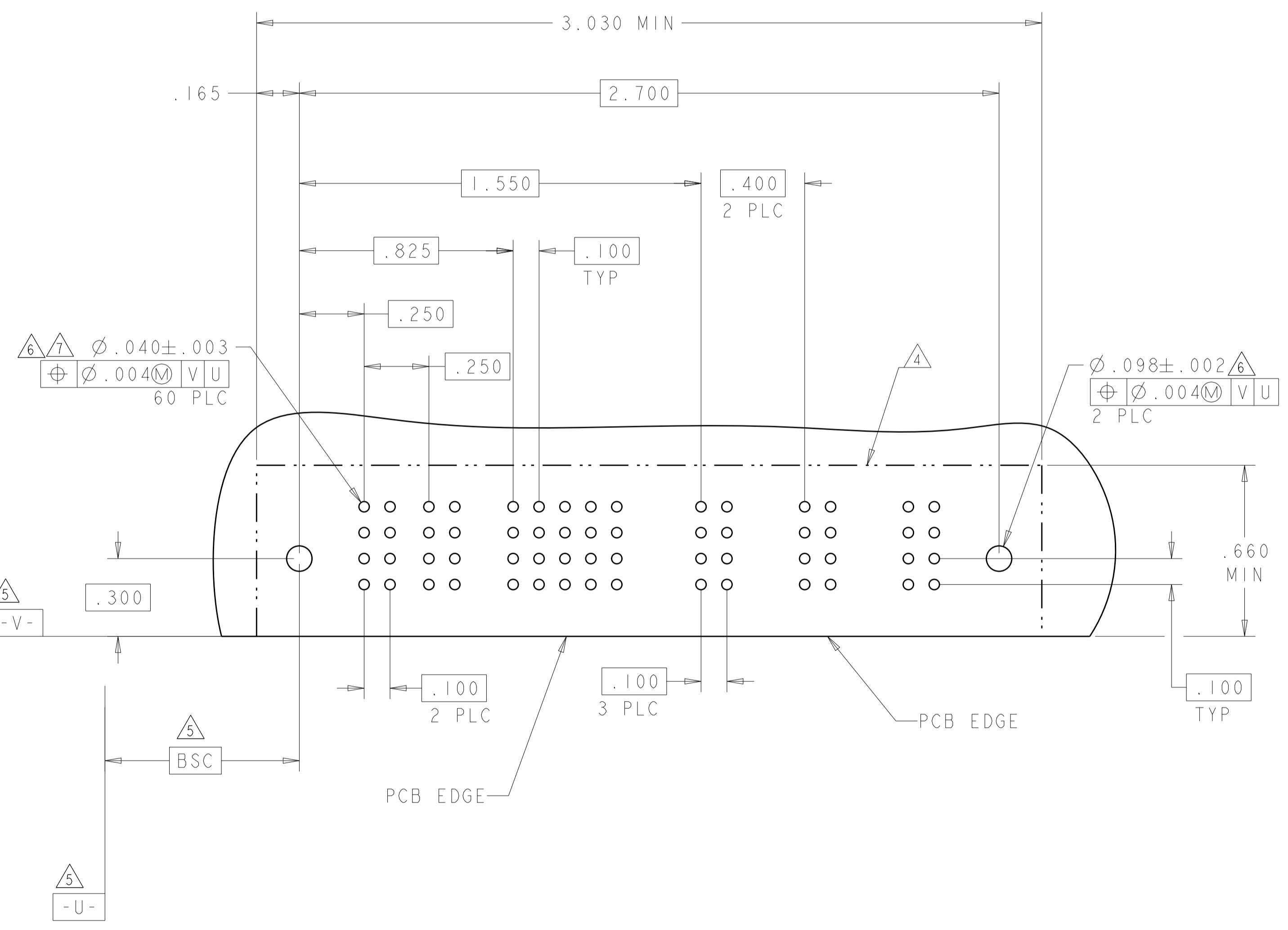
LOC		DIST		REVISIONS			
ES	00	P	LTN	DESCRIPTION	DATE	DMN	APVD
		-		SEE SHEET 1			

PART NUMBER	ROWS	POWER		SIGNAL						POWER					
		P1	P2	1	2	3	4	5	6	P3	P4	P5	P6	P7	P8
6-6450120-6	D C B A	PM	PM	J	J	J	J	J	J	PM	PM	PM	PM	PM	PM
				K	K	K	K	K							
				N	N	N	N	N							
2P + 24S + 6P				S	S	S	S	S							

NO CONTACTS LOADED

PART NUMBER	ROWS	POWER							SIGNAL		POWER		
		P1	P2	P3	P4	P5	P6	P7	1	2	P8	P9	P10
6-6450120-7	D C B A	PM	PM	PM	PM	PM	PM	PM	E	E	PM	PM	PM
									F	F			
									G	G			
									H	H			
7HDP + 8S + 3ACP													

(L5)



THIS DRAWING IS A CONTROLLED DOCUMENT.

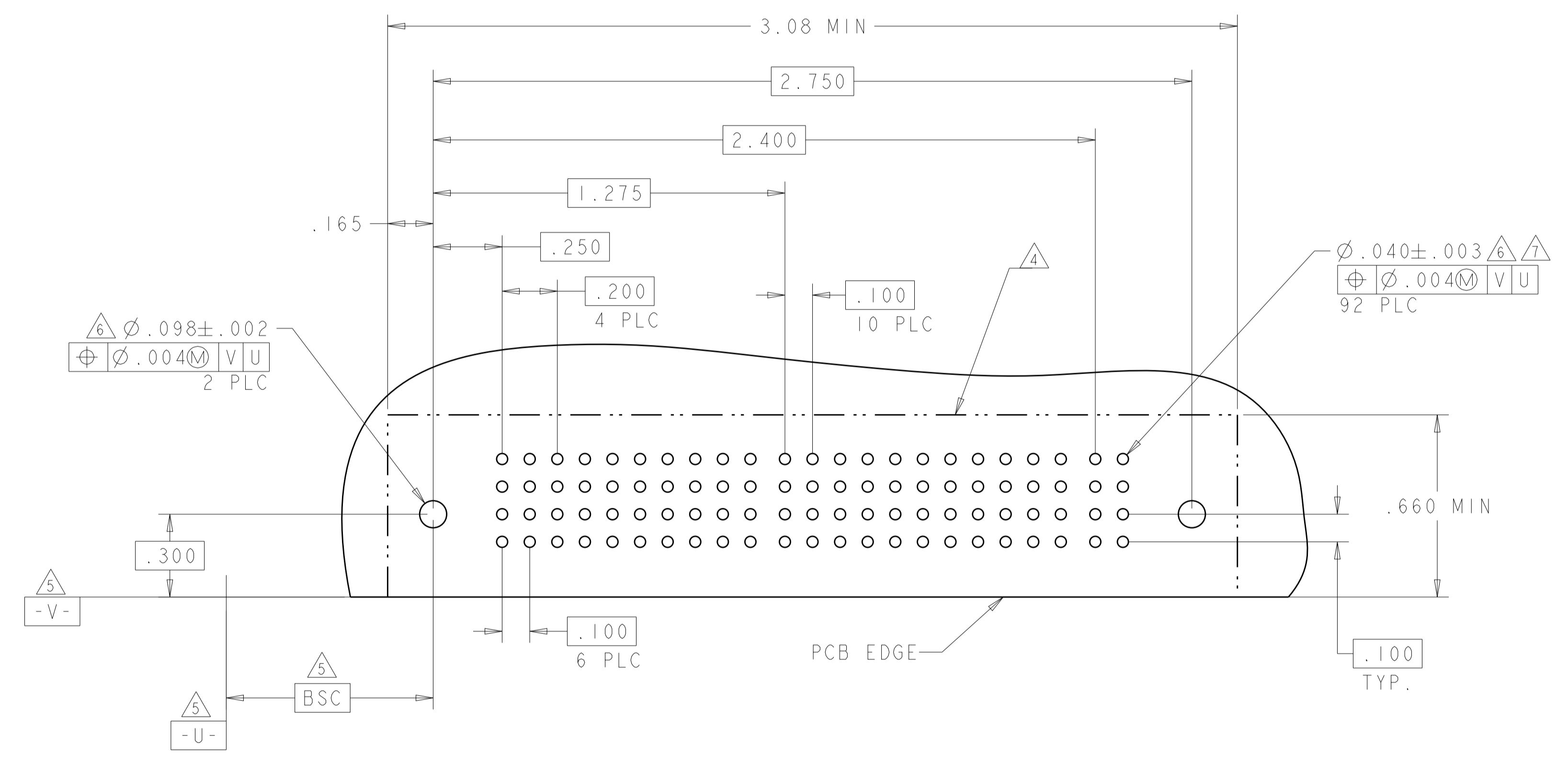
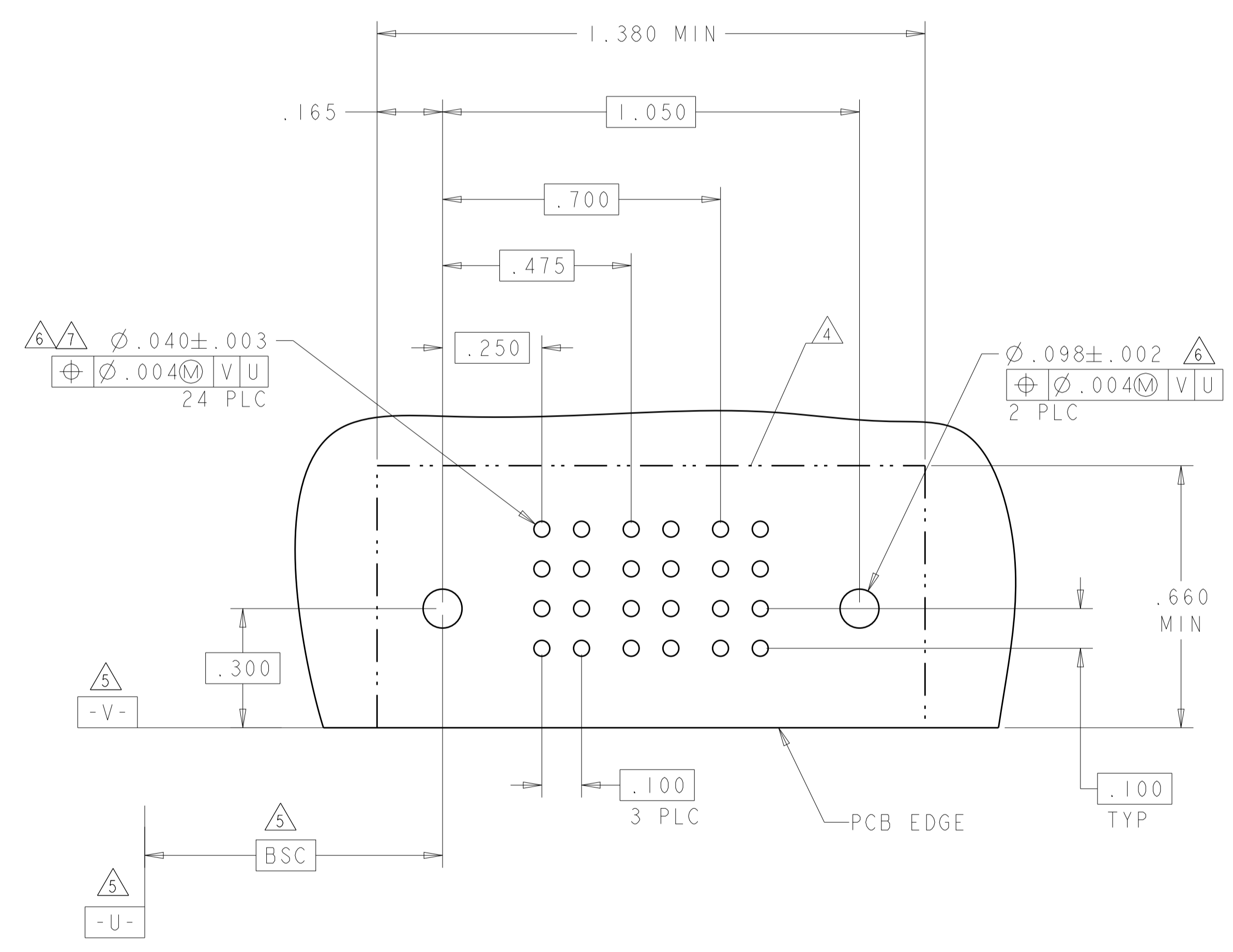
DIMENSIONS:	TOLERANCES UNLESS OTHERWISE SPECIFIED:	OWN: R. GRZYBOWSKI 02FEB05	CHK: M. PERCHERKE 02FEB05	APVD: M. PERCHERKE 02FEB05	NAME: RIGHT ANGLE HEADER W/GUIDES ASSEMBLY MULTI-BEAM XL
INCHES	0 PLC ±.01 1 PLC ±.01 2 PLC ±.01 3 PLC ±.005 4 PLC ±.002 ANGLES ±.020	PRODUCT SPEC: 108-1973	APPLICATION SPEC: 114-13038	WEIGHT: -	SIZE: A1
MATERIAL: -	FINISH: -	CAGE CODE: 6450120	SCALE: 4:1	SHEET: 22	REV: M2

CUSTOMER DRAWING

LOC		DIST		REVISONS			
ES	00	P	LTN	DESCRIPTION	DATE	DMN	APVD
				SEE SHEET 1			

PART NUMBER	ROWS	POWER		SIGNAL		POWER	
		P1	P2	1	2	P1	P2
6-6450120-8	D	PM	PM	J	J	PM	PM
	C			K	K		
	B			N	N		
	A			S	S		
IP + 8S + IP		HD				HD	

PART NUMBER	ROWS	POWER					SIGNAL											POWER				
		P1	P2	P3	P4	P5	1	2	3	4	5	6	7	8	9	10	11	P6				
7-6450120-0	D	PM	PM	PM	PM	J	J	J	J	J	J	J	J	J	J	J	J	J	PM			
	C					G	N	N	N	N	N	N	N	N	N	N	N	N		N	N	
	B					H	H	H	H	H	H	H	H	H	H	H	H	H		H	H	H
	A																					
5P + 44S + IP		HD																HD				



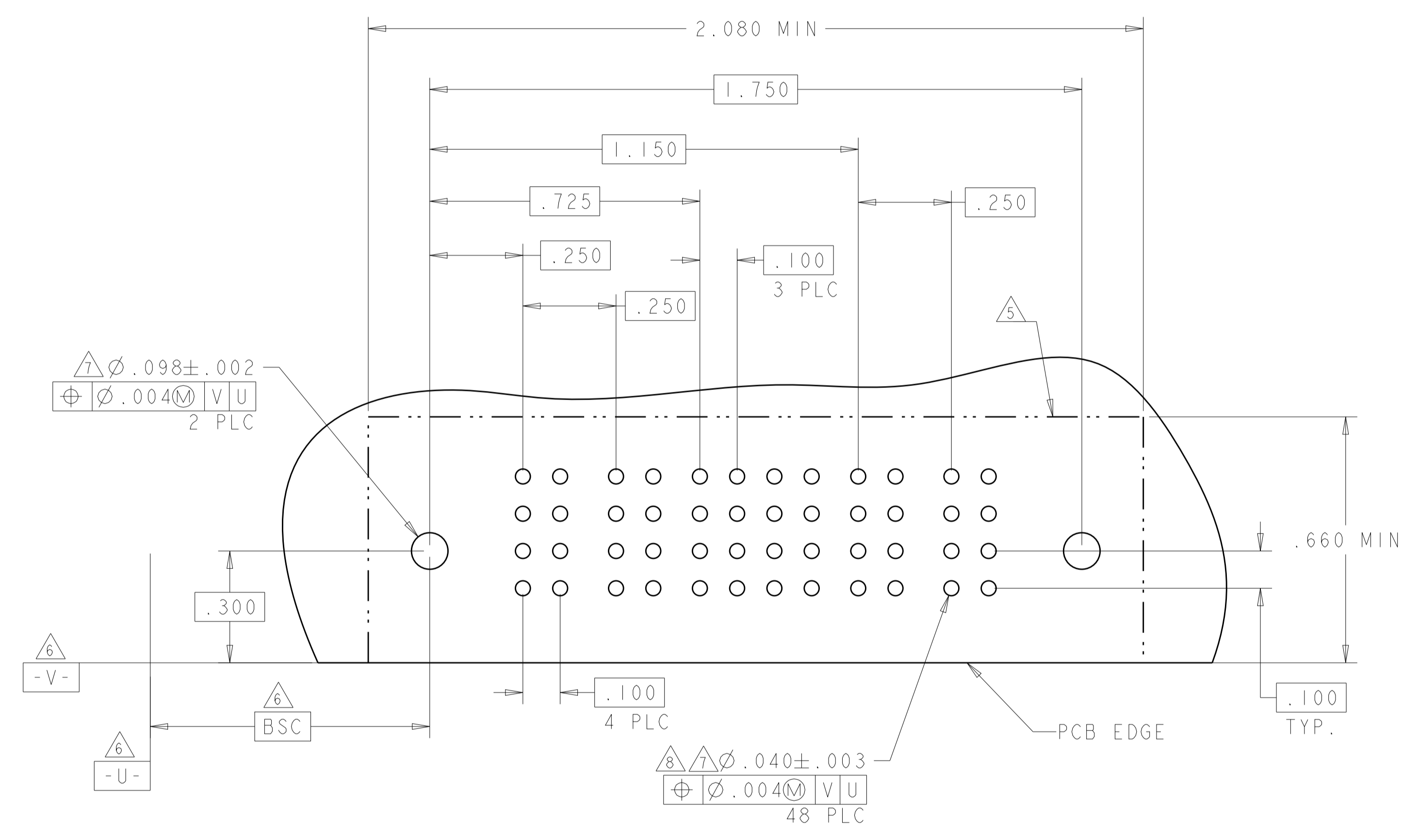
THIS DRAWING IS A CONTROLLED DOCUMENT.

DIMENSIONS:	TOLERANCES UNLESS OTHERWISE SPECIFIED:	OWN: R. GRZYBOWSKI 02FEB05	CHK: M. PERCHERKE 02FEB05	APVD: M. PERCHERKE 02FEB05	NAME: R. GRZYBOWSKI
INCHES	0 PLC ± .01 2 PLC ± .01 3 PLC ± .005 4 PLC ± .0020	PRODUCT SPEC: 108-1973	APPLICATION SPEC: 114-13038	WEIGHT: -	RESTRICTED TO: -
MATERIAL: -	FINISH: -	SIZE: A1	CAGE CODE: 100779	DRAWING NO: 6450120	REV: M2

STE TE Connectivity
 RIGHT ANGLE HEADER W/GUIDES ASSEMBLY MULTI-BEAM XL
 SCALE: 4:1 SHEET 23 OF 24

LOC	DIST	REVISIONS			
P	LTN	DESCRIPTION	DATE	DMN	APVD
ES	00	SEE SHEET 1	-	-	-

PART NUMBER	ROWS	POWER		SIGNAL				POWER	
		P1	P2	1	2	3	4	P3	P4
7-6450120-1	D	PM	PM	E	E	E	E	PM	PM
	C			F	F	F	F		
	B			N	N	N	N		
	A			H	H	H	H		
2P + 16S + 2P		HD	HD					HD	HD



THIS DRAWING IS A CONTROLLED DOCUMENT.		DMN: R. GRZYBOWSKI 02FEB05	TE Connectivity
DIMENSIONS: INCHES		CHK: M. PERCHERKE 02FEB05	
TOLERANCES UNLESS OTHERWISE SPECIFIED:		APVD: M. PERCHERKE 02FEB05	NAME: RIGHT ANGLE HEADER W/GUIDES ASSEMBLY MULTI-BEAM XL
0 PLC	±	PRODUCT SPEC	SIZE: CAGE CODE DRAWING NO
1 PLC	±.01	108-1973	RESTRICTED TO
2 PLC	±.01	APPLICATION SPEC	A100779C=6450120
3 PLC	±.005	114-13038	SCALE: 4:1 SHEET 24 OF 24 REV: M2
4 PLC	±.0020	WEIGHT	
ANGLES	±.020		
FINISH	±.020		
MATERIAL		CUSTOMER DRAWING	



Компания «ЭлектроПласт» предлагает заключение долгосрочных отношений при поставках импортных электронных компонентов на взаимовыгодных условиях!

Наши преимущества:

- Оперативные поставки широкого спектра электронных компонентов отечественного и импортного производства напрямую от производителей и с крупнейших мировых складов;
- Поставка более 17-ти миллионов наименований электронных компонентов;
- Поставка сложных, дефицитных, либо снятых с производства позиций;
- Оперативные сроки поставки под заказ (от 5 рабочих дней);
- Экспресс доставка в любую точку России;
- Техническая поддержка проекта, помощь в подборе аналогов, поставка прототипов;
- Система менеджмента качества сертифицирована по Международному стандарту ISO 9001;
- Лицензия ФСБ на осуществление работ с использованием сведений, составляющих государственную тайну;
- Поставка специализированных компонентов (Xilinx, Altera, Analog Devices, Intersil, Interpoint, Microsemi, Aeroflex, Peregrine, Syfer, Eurofarad, Texas Instrument, Miteq, Cobham, E2V, MA-COM, Hittite, Mini-Circuits, General Dynamics и др.);

Помимо этого, одним из направлений компании «ЭлектроПласт» является направление «Источники питания». Мы предлагаем Вам помощь Конструкторского отдела:

- Подбор оптимального решения, техническое обоснование при выборе компонента;
- Подбор аналогов;
- Консультации по применению компонента;
- Поставка образцов и прототипов;
- Техническая поддержка проекта;
- Защита от снятия компонента с производства.



Как с нами связаться

Телефон: 8 (812) 309 58 32 (многоканальный)

Факс: 8 (812) 320-02-42

Электронная почта: org@eplast1.ru

Адрес: 198099, г. Санкт-Петербург, ул. Калинина, дом 2, корпус 4, литера А.