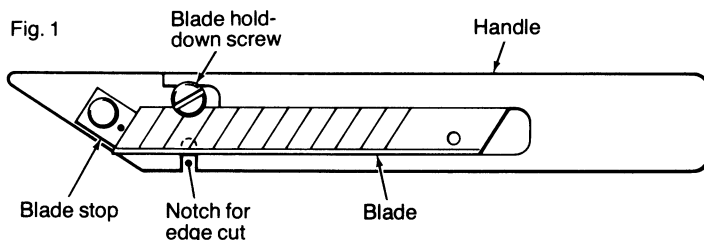


Instructions for use of the Scotchflex 3430-7000 Hand Tool (Scribe)



General:

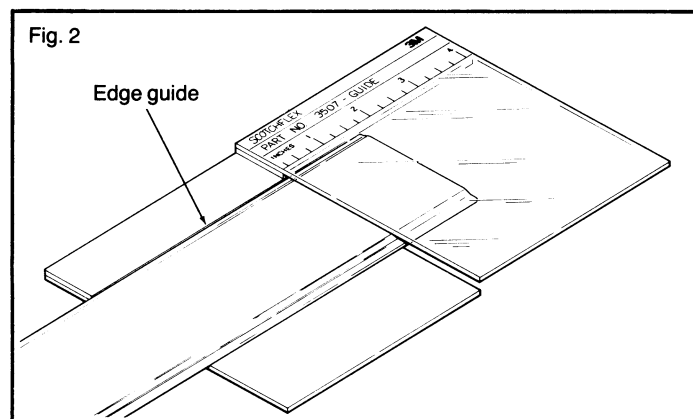
The Scotchflex 3430-7000 hand tool is designed to:

1. Score the PVC jacket on Scotchflex jacketed cables to facilitate removal prior to assembling a connector to the inner cable.
2. Score the PVC cover on Scotchflex ground plane cables to facilitate removal prior to assembling a connector to the cable.

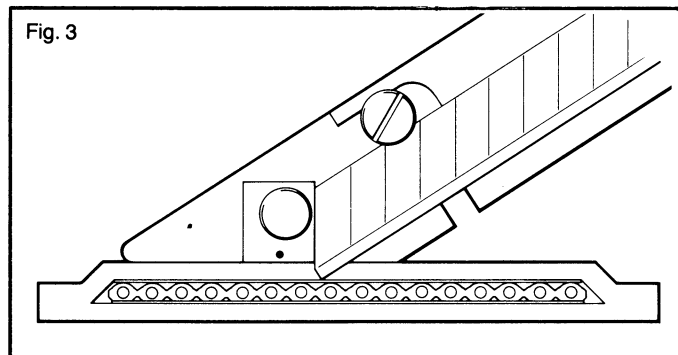
The 3507 guide is provided as an aid in assuring a straight, perpendicular cut as well as a length reference for ease in using the 3430-7000 hand tool.

When properly used, the hand tool will scribe the PVC to a depth slightly less than the jacket thickness. The jacket can then be easily removed by tearing along the scribe line. The scribe, being less than the jacket thickness, assures the shield or cable below will not be nicked or cut.

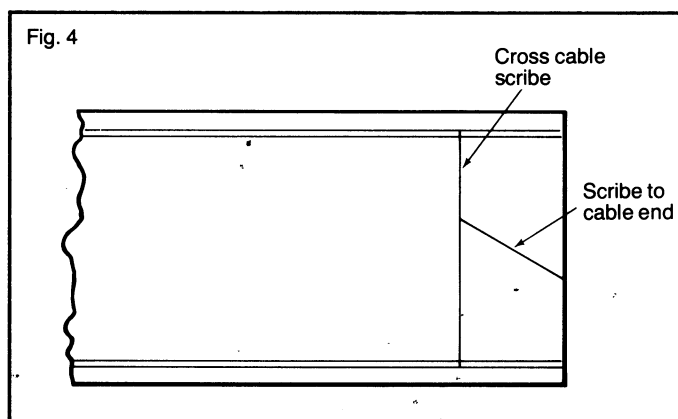
Operation for Jacketed Cable



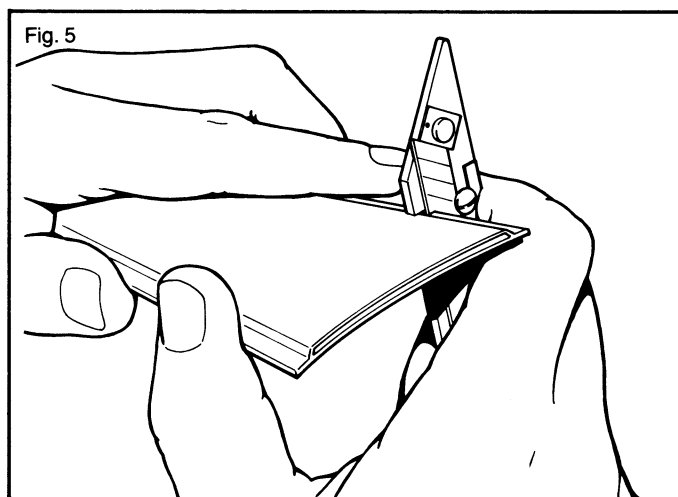
1. The cable should be first cut to length, using the Scotchflex 3437-1A Cable Shear.
2. Place the cable in the 3507 guide, extending under the clear portion, up to the inch mark of the length desired for exposed cable length. The cable should be butted against the edge guide provided (see Figure 2) to insure a perpendicular cut.
3. Draw the hand tool across the cable from edge to edge, making sure to keep the hand tool in contact with the clear plastic guide. To insure the correct scribe depth, keep the flat surface of the hand tool against the cable (Figure 3).
4. Remove cable from the guide, turn over and re-insert to the same length mark as in (2). Scribe across cable as in (3).



5. Remove cable and make a scribe extending from cross-cable scribe to the end of the cable (Figure 4).

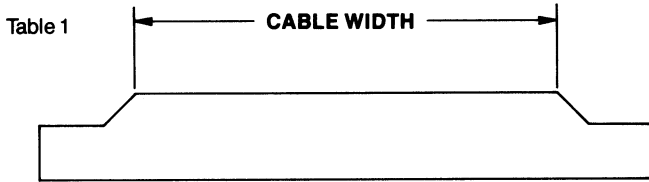


6. Using the notch in the hand tool, cut the edge of the cable jacket to line up with the score marks (Figure 5).
7. Grasp the jacket material on each side of the score mark extending to the end of the cable and tear up to the cross-cable score line. The jacket can now be removed by tearing the end away from the remaining jacket.



Operation for Ground Plane Cable

1. The cable should be first cut to length using the Scotchflex 3437-1A Cable Shear.
2. After the cable has been notched (see instructions for the 3557) the cable clamp on the 3557 can be used as a guide or the 3507 can be used as a guide.
3. Draw the hand tool across the bottom of the cable to scribe the PVC cover as in (3) above.
4. Make a second scribe as in 5 above.
5. Using a tweezers or similar tool, lift the PVC cover from the ground plane and peel it away.



CABLE WIDTH	JACKET THICKNESS	HAND TOOL SETTING
1.5" or less	.032" nom.	
1.5" to 2.5"	.047" nom.	
2.5" to 3.5"	.062" nom.	
Ground Plane Cable	.007" nom.	

Hand Tool Adjustment

The hand tool provides four blade depth settings to correspond with the three thicknesses of cable jacketing as well as the cover over the ground plane on ground plane cable.

Blade adjustment for jacketed cable

1. The jacket thickness increases as the cable width increases as required by U.L. Correspondingly, the blade extension must change for each jacket thickness change. Refer to the following table for settings of the blade stop.
2. Loosen blade hold-down screw. Slide blade back from blade stop and rotate blade stop to desired setting (Table 1). Slide blade forward until it stops against blade stop and tighten blade hold-down screw.
3. Check the setting by making a test cut. Tear the jacket apart at the test cut and visually inspect the inner cable or ground plane for nicks.

Blade adjustment for ground plane cable

1. Follow steps 1 and 2 from Jacketed Cable Procedure.
2. The extension of the blade must be closely controlled to .008" for ground plane cable. This can be accomplished by grinding the blade to length. Lay the enclosed .008" thick metal strip on the enclosed 600 grit abrasive paper.
3. Place the hand tool body on the metal strip so that the blade hangs over the edge. Drawing the knife along the edge of the strip will cause the blade to be ground to length.

Blade replacement

The hand tool is supplied with a break-away style blade. As a tip becomes dull, the end can be broken off, exposing a new, sharp point.

1. Loosen the blade hold-down screw.
2. Remove the blade from the hand tool.
3. Place the blade on a flat surface with the score marks facing down.
4. Bend the end section upward while holding the remaining section down to the flat surface. The blade should break cleanly along the scoremark.
5. Replace the blade into the hand tool and adjust per blade adjustment section.

Important Notice to Purchaser

All statements, technical information and recommendations contained herein are based on tests we believe to be reliable, but the accuracy or completeness thereof is not guaranteed, and the following is made in lieu of all warranties, expressed or implied:

Seller's and manufacturer's only obligation shall be to replace such quantity of the product proved to be defective. Neither seller nor manufacturer shall be liable for any injury, loss or damage, direct or consequential, arising out of the use of or the inability to use the products. Before using, user shall determine the suitability of the product for his intended use, and user assumes all risk and liability whatsoever in connection therewith.

No statement or recommendation not contained herein shall have any force or effect unless in an agreement signed by officers of seller and manufacturer.

Electronic Products Division/3M

3M Center, St. Paul, MN 55101

34-7013-8153-4





Компания «ЭлектроПласт» предлагает заключение долгосрочных отношений при поставках импортных электронных компонентов на взаимовыгодных условиях!

Наши преимущества:

- Оперативные поставки широкого спектра электронных компонентов отечественного и импортного производства напрямую от производителей и с крупнейших мировых складов;
- Поставка более 17-ти миллионов наименований электронных компонентов;
- Поставка сложных, дефицитных, либо снятых с производства позиций;
- Оперативные сроки поставки под заказ (от 5 рабочих дней);
- Экспресс доставка в любую точку России;
- Техническая поддержка проекта, помощь в подборе аналогов, поставка прототипов;
- Система менеджмента качества сертифицирована по Международному стандарту ISO 9001;
- Лицензия ФСБ на осуществление работ с использованием сведений, составляющих государственную тайну;
- Поставка специализированных компонентов (Xilinx, Altera, Analog Devices, Intersil, Interpoint, Microsemi, Aeroflex, Peregrine, Syfer, Eurofarad, Texas Instrument, Miteq, Cobham, E2V, MA-COM, Hittite, Mini-Circuits, General Dynamics и др.);

Помимо этого, одним из направлений компании «ЭлектроПласт» является направление «Источники питания». Мы предлагаем Вам помощь Конструкторского отдела:

- Подбор оптимального решения, техническое обоснование при выборе компонента;
- Подбор аналогов;
- Консультации по применению компонента;
- Поставка образцов и прототипов;
- Техническая поддержка проекта;
- Защита от снятия компонента с производства.



Как с нами связаться

Телефон: 8 (812) 309 58 32 (многоканальный)

Факс: 8 (812) 320-02-42

Электронная почта: org@eplast1.ru

Адрес: 198099, г. Санкт-Петербург, ул. Калинина, дом 2, корпус 4, литера А.