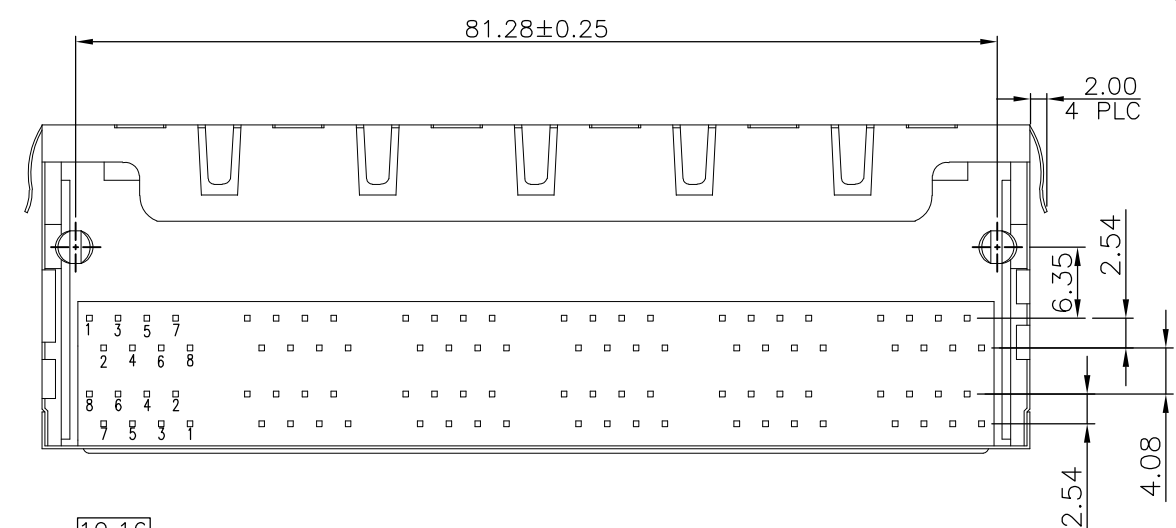
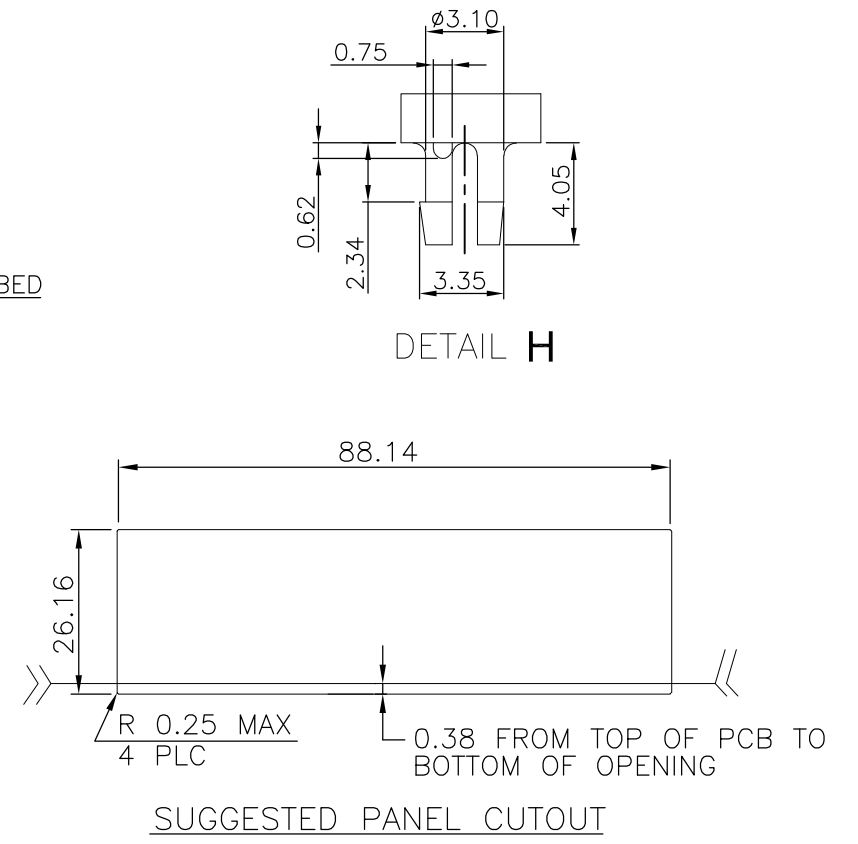
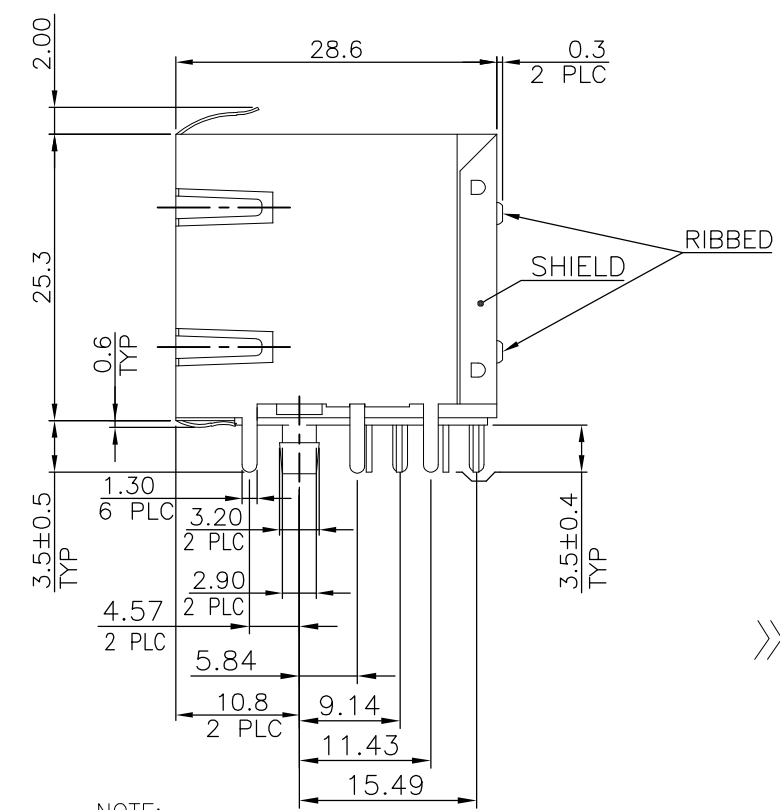
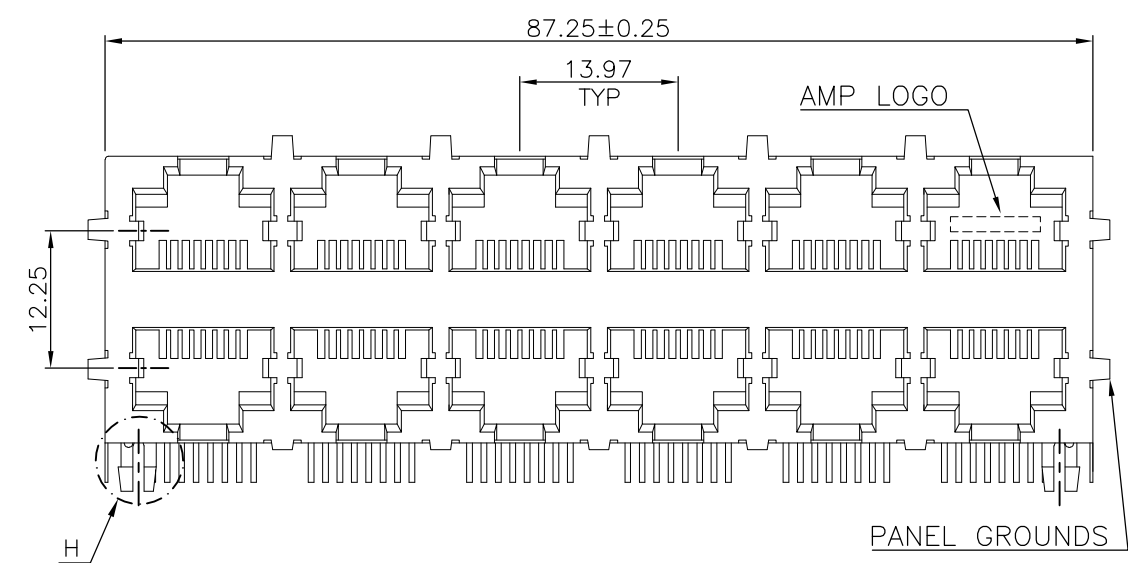


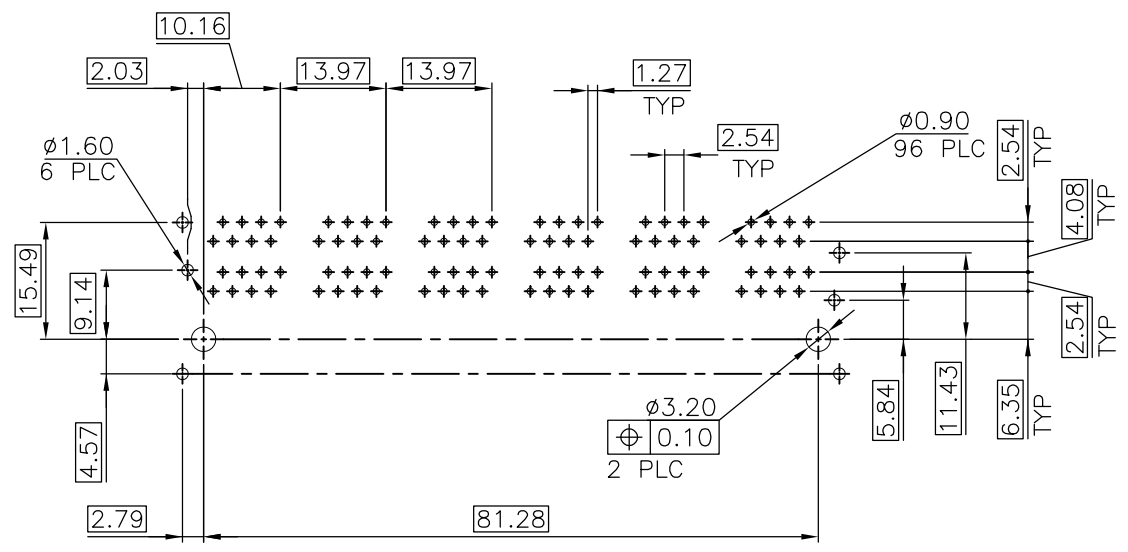
THIS DRAWING IS UNPUBLISHED. RELEASED FOR PUBLICATION  
 © COPYRIGHT BY TYCO ELECTRONICS CORPORATION. ALL RIGHTS RESERVED.

LOC	DIST	REVISIONS					
		P	LTR	DESCRIPTION	DATE	DWN	APVD
DW	-	B1		REVISED (ECR-09-010503)	07MAY09	SC	WK
		B2		REVISED PER ECO-09-024606	02NOV09	KK	AEG



- NOTE:
- MATERIAL:  
 HOUSING: THERMOPLASTIC (SEE TABLE) WITH 30% GF, UL 94V-0, BLACK COLOR.  
 CONTACTS: PHOSPHOR BRONZE.  
 SHIELD: BRASS.
  - FINISH:  
 CONTACTS: (SEE TABLE) GOLD PLATED ON CONTACT AREA, GOLD FLASH ON SOLDER TAIL, WITH ENTIRE CONTACT UNDERPLATED 1.27µm [50µ"] MIN. NICKEL.  
 SHIELD: ▲ GOLD FLSH OVER 0.51µm [20µ"] MIN. NICKEL UNDERPLATED OVERALL.  
 ▲ 0.635µm [25µ"] MIN. NICKEL PLATED.
- ▲ WAVE SOLDER CAPABLE TO 220°C  
 ▲ WAVE SOLDER CAPABLE TO 265°C PER TYCO TEST SPEC. 109-202, CONDITION B.  
 ▲ OBSOLETE PARTS: OBSOLETE CIS STREAMLINING PER D.RENAUD/D.SINISI

HOUSING'S MATERIAL	NO. OF PORTS	SHIELD PLATING	MIN. GOLD THICKNESS	PART NUMBER	
OBSOLETE	12	▲	30µ"	6-1734473-6	
			15µ"	6-1734473-5	
			6µ"	6-1734473-4	
	PBT	12	▲	30µ"	6-1734473-3
				15µ"	6-1734473-2
				6µ"	6-1734473-1



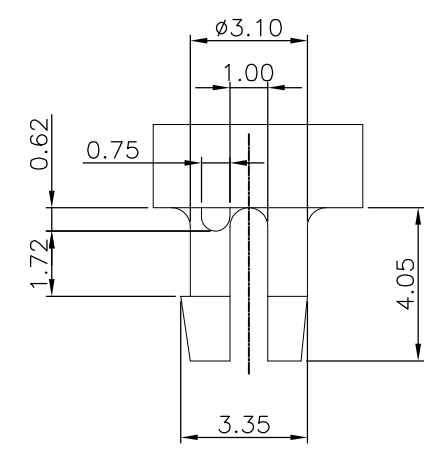
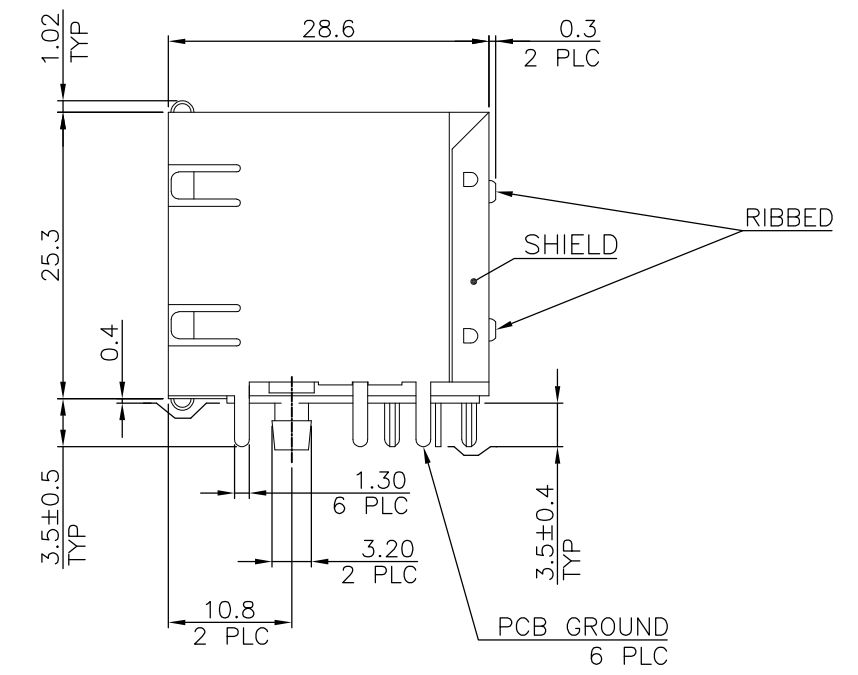
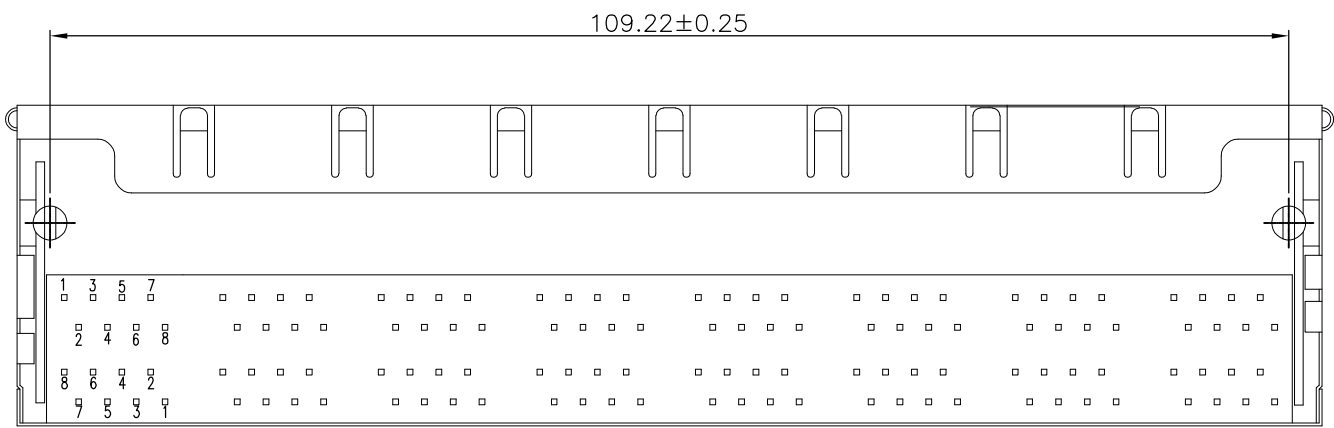
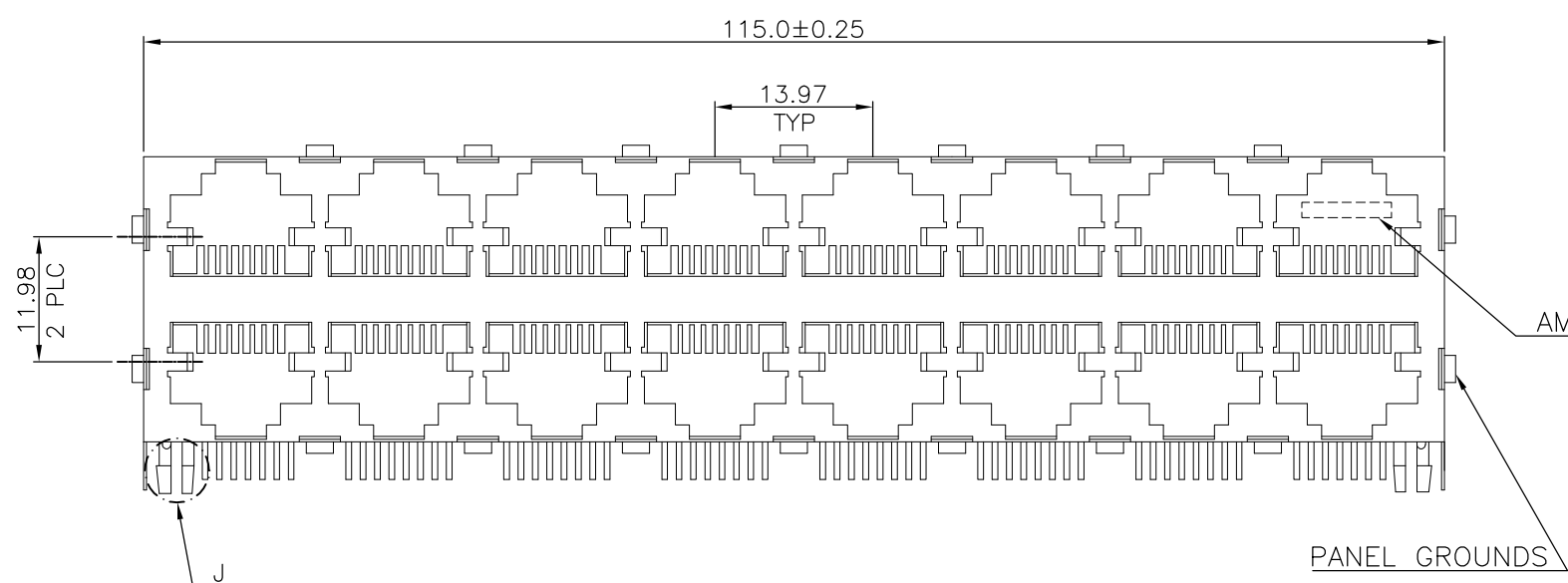
RECOMMENDED PCB LAYOUT (THICKNESS: 1.6mm)  
 DIMENSION TOLERANCE: (1 PLC: ±0.1 2PLC: ±0.05)

THIS DRAWING IS A CONTROLLED DOCUMENT.

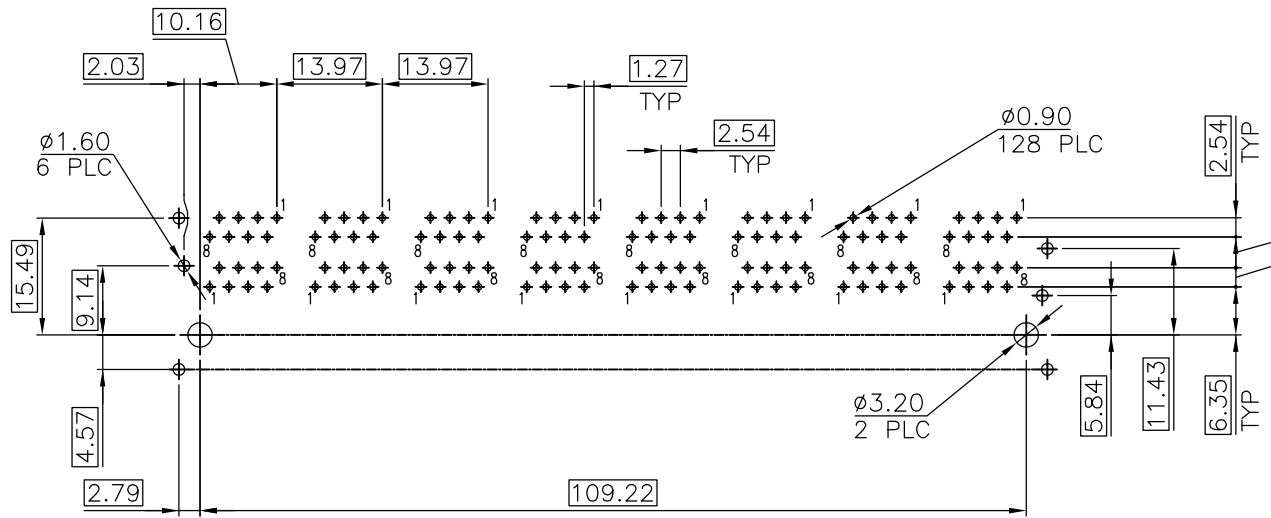
DWN S. CHIEN 07MAY2009	Tyco Electronics Corporation Taipei, Taiwan
CHK S. CHIEN 07MAY2009	
APVD W. KODAMA 07MAY2009	NAME
PRODUCT SPEC 108-57535	MODULAR JACK RJ45, STACKED, MULTI-PORT, SHIELDED, THRU-HOLE, PANEL GROUND
QUALIFICATION TEST REPORT 501-57625	SIZE CAGE CODE DRAWING NO RESTRICTED TO
MATERIAL SEE NOTE	FINISH SEE NOTE
WEIGHT 70 GRAMS	A300779 C=1734473
CUSTOMER DRAWING	SCALE - SHEET 1 OF 5 REV B2

THIS DRAWING IS UNPUBLISHED. RELEASED FOR PUBLICATION  
 © COPYRIGHT BY TYCO ELECTRONICS CORPORATION. ALL RIGHTS RESERVED.

LOC	DIST	REVISIONS					
DW	-	P	LTR	DESCRIPTION	DATE	DWN	APVD
				SEE SHEET 1.			



- NOTE:
- MATERIAL:  
 HOUSING: PBT WITH 30% GF, UL 94V-0, BLACK COLOR.  
 CONTACTS: PHOSPHOR BRONZE.  
 SHIELD: BRASS.
  - FINISH:  
 CONTACTS: (SEE TABLE) GOLD PLATED ON CONTACT AREA,  
 GOLD FLASH ON SOLDER TAIL, WITH ENTIRE  
 CONTACT UNDERPLATED 1.27µm [50µ"] MIN. NICKEL.
  - WAVE SOLDER CAPABLE TO 240°C PER TYCO TEST SPEC.  
 109-202, CONDITION A.



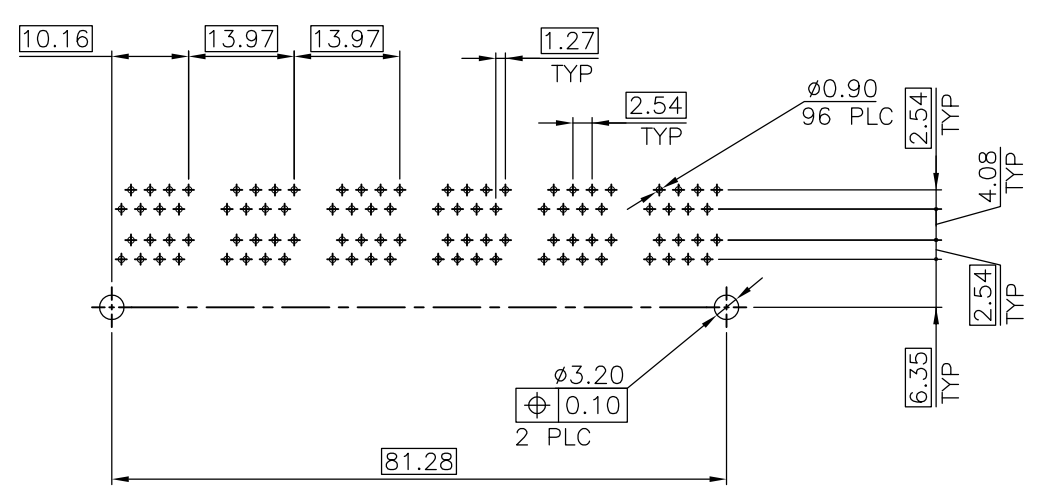
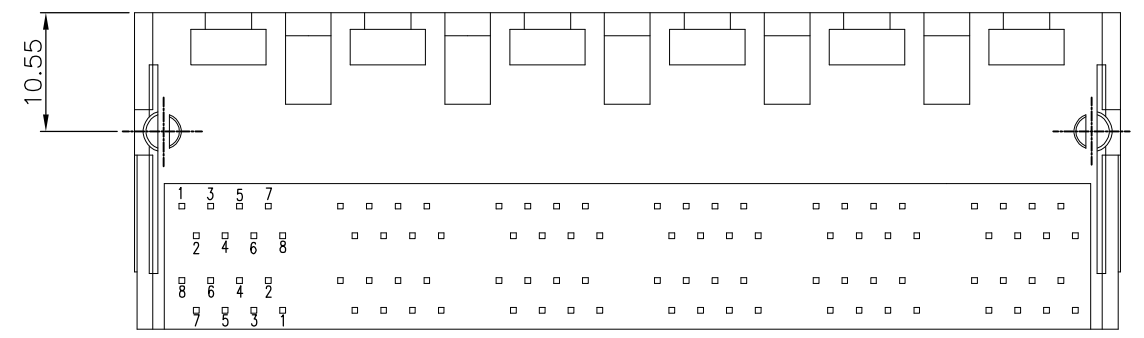
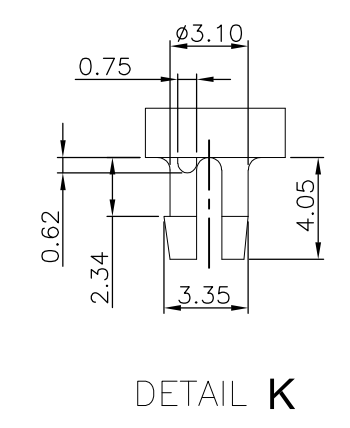
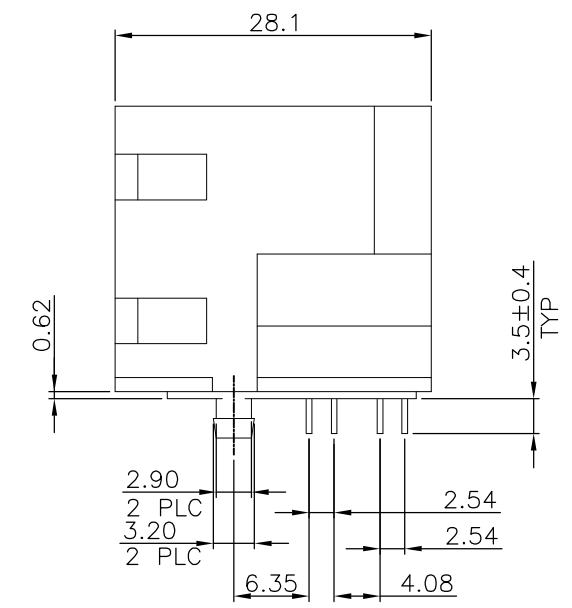
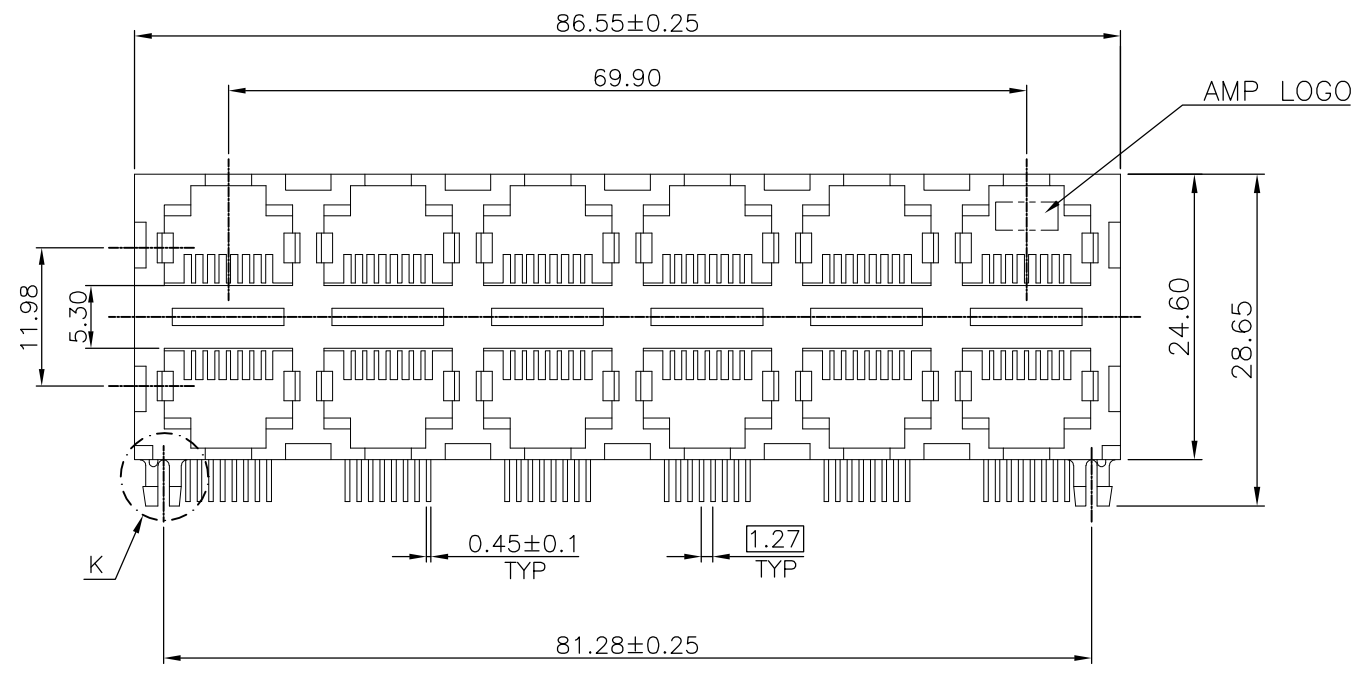
RECOMMENDED PCB LAYOUT (THICKNESS: 1.6mm)  
 DIMENSION TOLERANCE: (1 PLC: ±0.1 2PLC: ±0.05)

16	25µ" MIN. NICKEL	W/O	6µ"	2-1734473-8
			30µ"	2-1734473-7
		W/	30µ"	2-1734473-3
			15µ"	2-1734473-2
			6µ"	2-1734473-1
NO. OF PORTS	SHIELD PLATING	TIN PLATED ON PCB GROUNDS	MIN. GOLD THICKNESS	PART NUMBER

THIS DRAWING IS A CONTROLLED DOCUMENT.		DWN	Tyco Electronics Corporation Taipei, Taiwan		
DIMENSIONS: MM		CHK	NAME		
TOLERANCES UNLESS OTHERWISE SPECIFIED:		APVD	MODULAR JACK RJ45, STACKED, MULTI-PORT, SHIELDED, THRU-HOLE, PANEL GROUND		
0 PLC ± 0.50		PRODUCT SPEC	108-57535		
1 PLC ± 0.38		QUALIFICATION TEST REPORT	501-57625		
2 PLC ± 0.25		WEIGHT	SIZE	CAGE CODE	DRAWING NO
3 PLC ± 0.10		90.5 GRAMS	A3	00779	C=1734473
4 PLC ± -		CUSTOMER DRAWING	RESTRICTED TO		
ANGLES ± -			SCALE - SHEET 2 OF 5 REV B2		
FINISH					
SEE NOTE					

THIS DRAWING IS UNPUBLISHED. RELEASED FOR PUBLICATION  
 © COPYRIGHT BY TYCO ELECTRONICS CORPORATION. ALL RIGHTS RESERVED.

LOC	DIST	REVISIONS					
DW	—	P	LTR	DESCRIPTION	DATE	DWN	APVD
				SEE SHEET 1.			



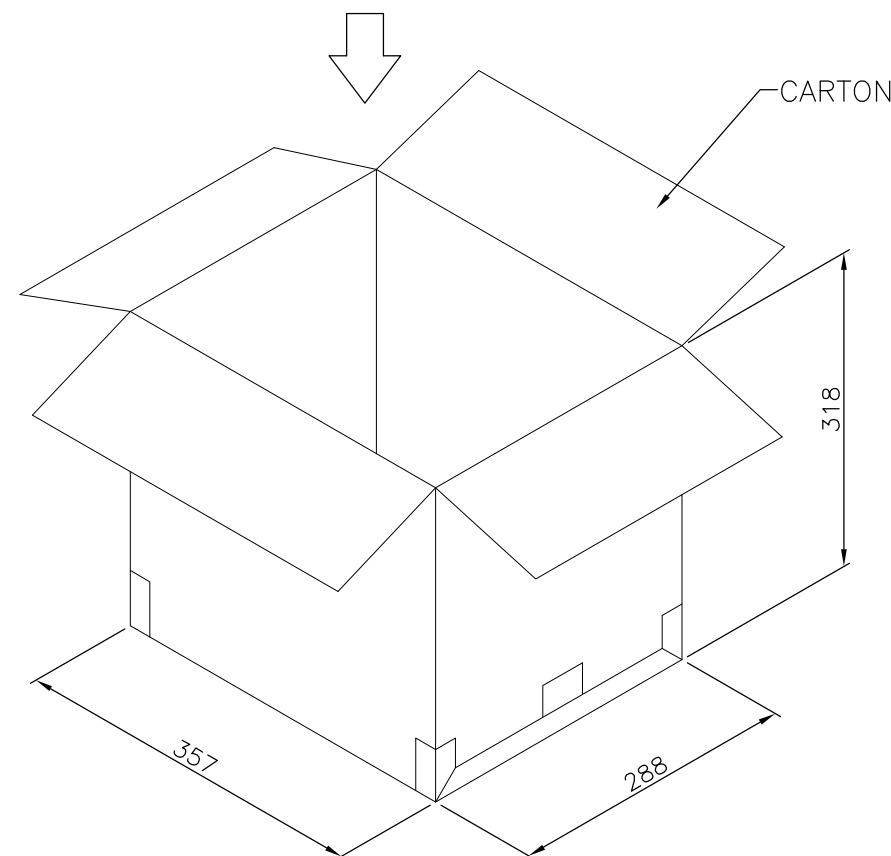
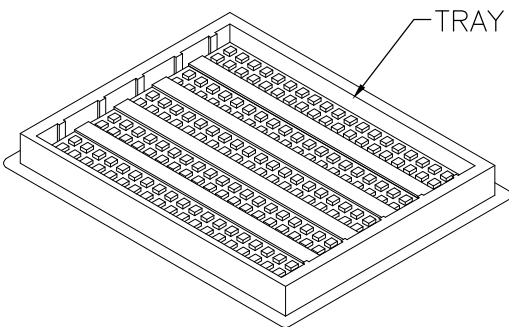
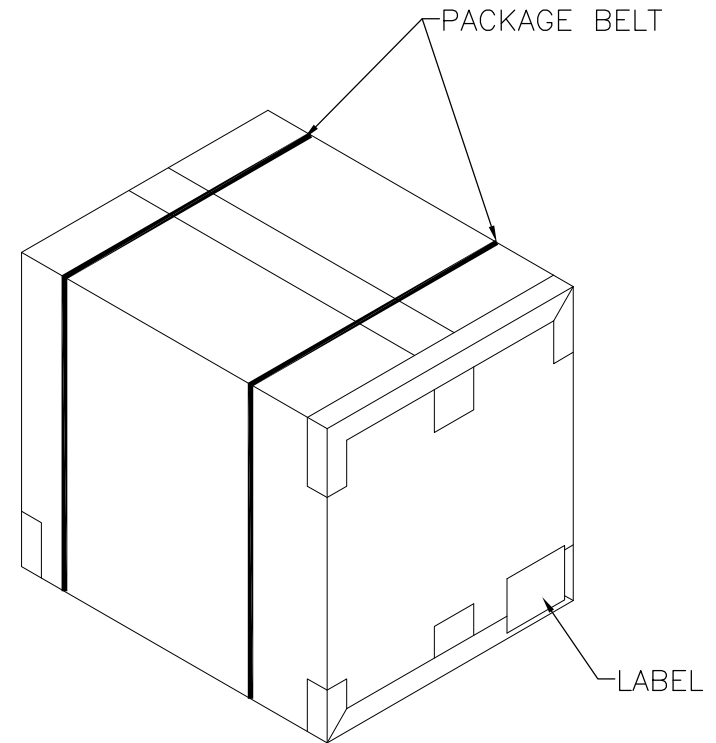
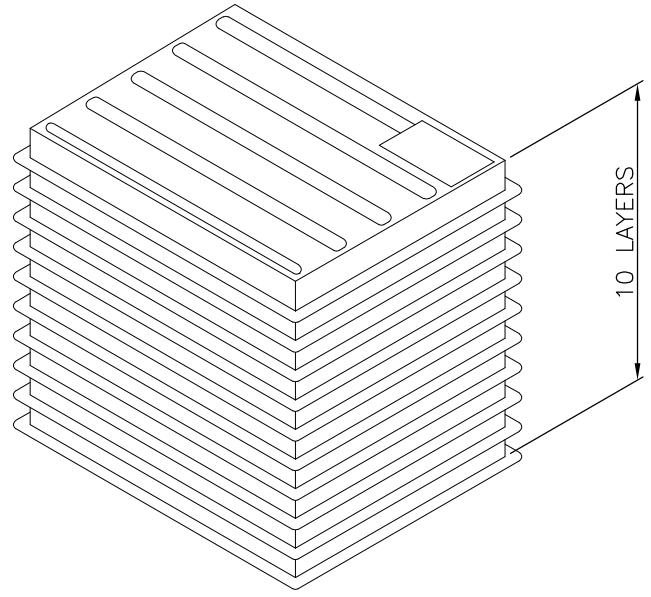
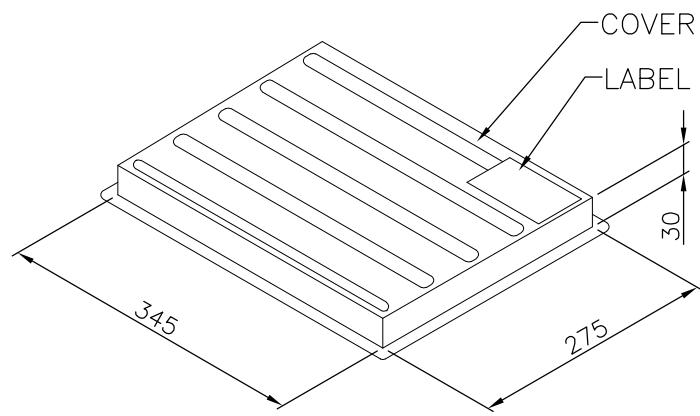
- NOTE:
- MATERIAL:  
HOUSING: PBT WITH 30% GF, UL 94V-0, BLACK COLOR.  
CONTACTS: PHOSPHOR BRONZE.
  - FINISH:  
CONTACTS: (SEE TABLE) GOLD PLATED ON CONTACT AREA, GOLD FLASH ON SOLDER TAIL, WITH ENTIRE CONTACT UNDERPLATED 1.27µm [50µ"] MIN. NICKEL.
  - WAVE SOLDER CAPABLE TO 240°C PER TYCO TEST SPEC. 109-202, CONDITION A.
  - THIS PRODUCT WITHOUT SHIELD.

12	30µ"	7-1734473-3
	15µ"	7-1734473-2
	6µ"	7-1734473-1
NO. OF PORTS	MIN. GOLD THICKNESS	PART NUMBER

THIS DRAWING IS A CONTROLLED DOCUMENT.		DWN		Tyco Electronics Corporation	
DIMENSIONS: MM		CHK		Tyco Electronics Taipei, Taiwan	
TOLERANCES UNLESS OTHERWISE SPECIFIED:		APVD		NAME	
0 PLC ± 0.50		PRODUCT SPEC		MODULAR JACK RJ45, STACKED, MULTI-PORT, SHIELDED, THRU-HOLE, PANEL GROUND	
1 PLC ± 0.38		108-57535		SIZE	
2 PLC ± 0.25		QUALIFICATION TEST REPORT		CAGE CODE	
3 PLC ± 0.10		501-57625		DRAWING NO	
4 PLC ± -		70 GRAMS		RESTRICTED TO	
ANGLES ± -		CUSTOMER DRAWING		A300779	
MATERIAL SEE NOTE		FINISH SEE NOTE		C=1734473	
				SCALE -	
				SHEET 3 OF 5	
				REV B2	

THIS DRAWING IS UNPUBLISHED. RELEASED FOR PUBLICATION  
 © COPYRIGHT - BY TYCO ELECTRONICS CORPORATION. ALL RIGHTS RESERVED.

LOC	DIST	REVISIONS			
P	LTR	DESCRIPTION	DATE	DWN	APVD
		SEE SHEET 1.			

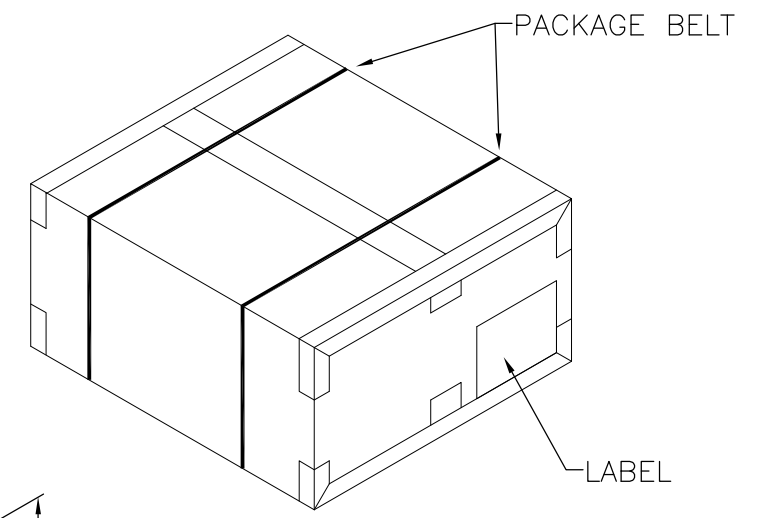
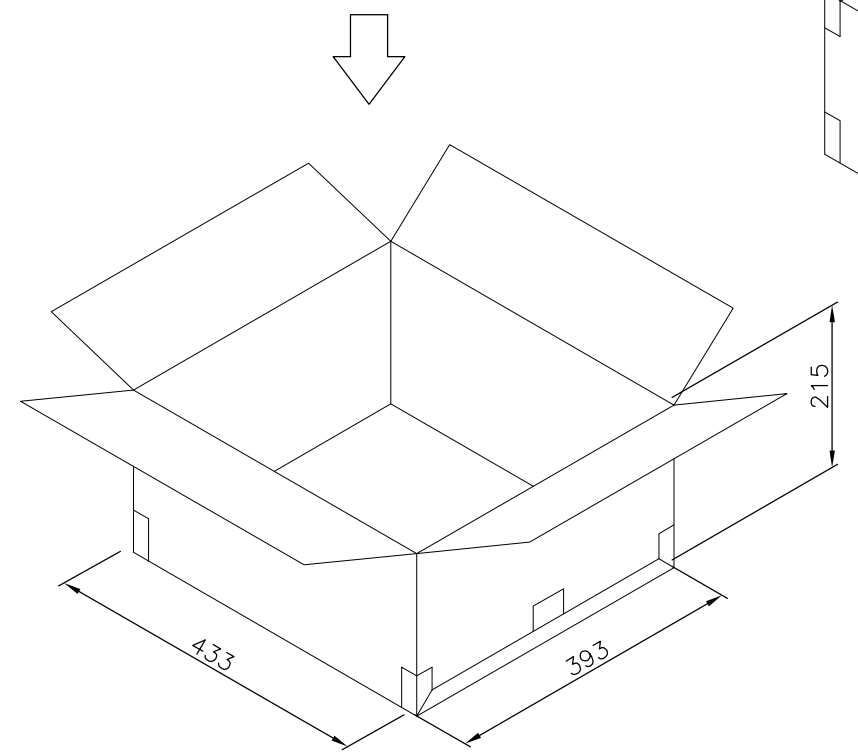
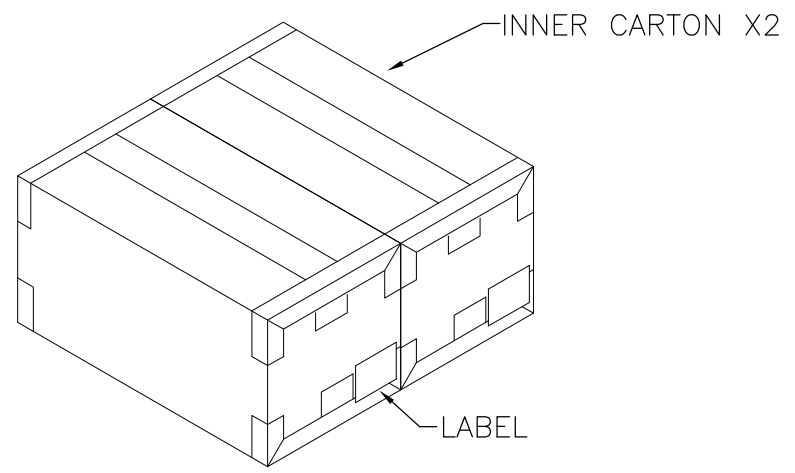
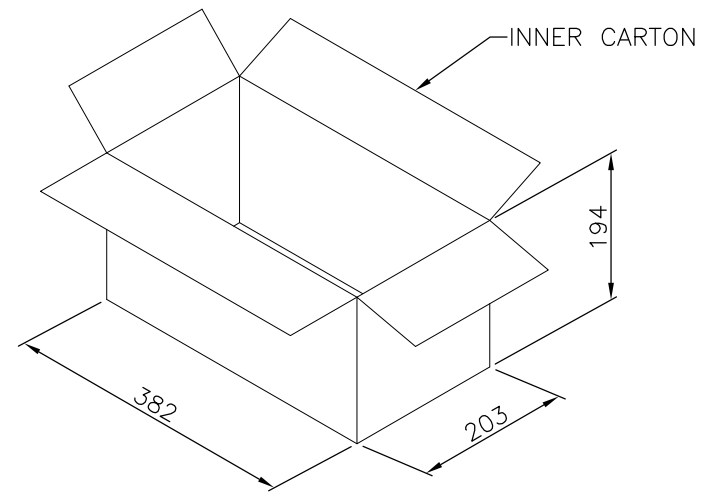
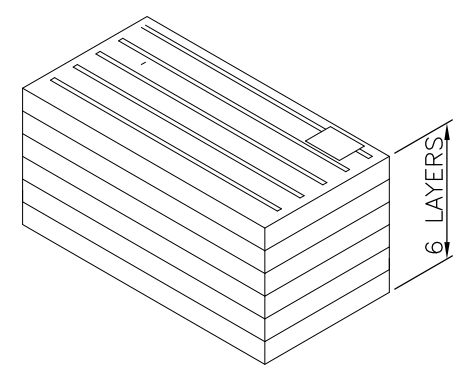
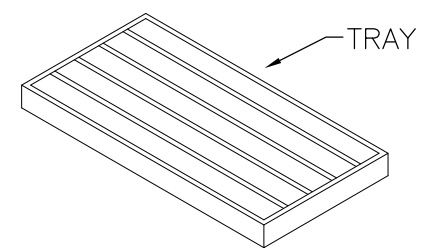
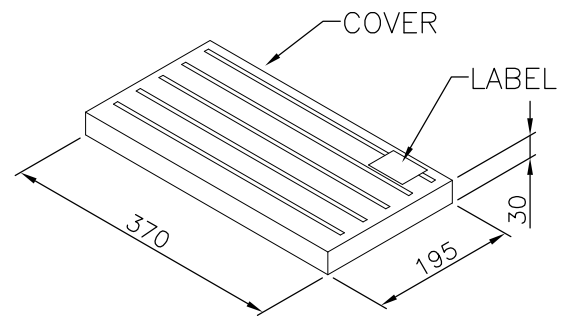


GROSS WEIGHT	NET WEIGHT	PCS/TRAY	TRAYS /CARTON	QUANTITY	PART NUMBER
12.5 Kg	10.5 Kg	15	10	150 PCS	6-1734473-X
12.5 Kg	10.5 Kg	15	10	150 PCS	1-1734473-X

THIS DRAWING IS A CONTROLLED DOCUMENT.		DWN	Tyco Electronics Corporation Taipei, Taiwan			
DIMENSIONS: MM 		CHK				
TOLERANCES UNLESS OTHERWISE SPECIFIED: 0 PLC ± - 1 PLC ± - 2 PLC ± - 3 PLC ± - 4 PLC ± - ANGLES ± - MATERIAL FINISH		APVD	NAME			
		PRODUCT SPEC	MODULAR JACK RJ45, STACKED, MULTI-PORT, SHIELDED, THRU-HOLE, PANEL GROUND			
		APPLICATION SPEC	SIZE	CAGE CODE	DRAWING NO	RESTRICTED TO
		WEIGHT	A3	00779	C=1734473	-
CUSTOMER DRAWING			SCALE	SHEET	REV	
			-	4 OF 5	B2	

THIS DRAWING IS UNPUBLISHED. RELEASED FOR PUBLICATION  
 © COPYRIGHT BY TYCO ELECTRONICS CORPORATION. ALL RIGHTS RESERVED.

LOC	DIST	REVISIONS			
P	LTR	DESCRIPTION	DATE	DWN	APVD
		SEE SHEET 1.			



GROSS WEIGHT	NET WEIGHT	PCS/TRAY	TRAYS / CARTON	QUANTITY	PART NUMBER
18 Kg	16.5 Kg	20	6	240 PCS	7-1734473-X
18 Kg	16.5 Kg	15	6	180 PCS	2-1734473-X

THIS DRAWING IS A CONTROLLED DOCUMENT.		DWN	Tyco Electronics Corporation Taipei, Taiwan					
DIMENSIONS: MM		CHK				NAME		
		APVD				MODULAR JACK RJ45, STACKED, MULTI-PORT, SHIELDED, THRU-HOLE, PANEL GROUND		
TOLERANCES UNLESS OTHERWISE SPECIFIED: 0 PLC ± - 1 PLC ± - 2 PLC ± - 3 PLC ± - 4 PLC ± - ANGLES ± - MATERIAL FINISH		PRODUCT SPEC				SIZE CAGE CODE DRAWING NO RESTRICTED TO		
		APPLICATION SPEC	A3 00779 C=1734473					
		WEIGHT	CUSTOMER DRAWING SCALE SHEET 5 OF 5 REV B2					



Компания «ЭлектроПласт» предлагает заключение долгосрочных отношений при поставках импортных электронных компонентов на взаимовыгодных условиях!

Наши преимущества:

- Оперативные поставки широкого спектра электронных компонентов отечественного и импортного производства напрямую от производителей и с крупнейших мировых складов;
- Поставка более 17-ти миллионов наименований электронных компонентов;
- Поставка сложных, дефицитных, либо снятых с производства позиций;
- Оперативные сроки поставки под заказ (от 5 рабочих дней);
- Экспресс доставка в любую точку России;
- Техническая поддержка проекта, помощь в подборе аналогов, поставка прототипов;
- Система менеджмента качества сертифицирована по Международному стандарту ISO 9001;
- Лицензия ФСБ на осуществление работ с использованием сведений, составляющих государственную тайну;
- Поставка специализированных компонентов (Xilinx, Altera, Analog Devices, Intersil, Interpoint, Microsemi, Aeroflex, Peregrine, Syfer, Eurofarad, Texas Instrument, Miteq, Cobham, E2V, MA-COM, Hittite, Mini-Circuits, General Dynamics и др.);

Помимо этого, одним из направлений компании «ЭлектроПласт» является направление «Источники питания». Мы предлагаем Вам помощь Конструкторского отдела:

- Подбор оптимального решения, техническое обоснование при выборе компонента;
- Подбор аналогов;
- Консультации по применению компонента;
- Поставка образцов и прототипов;
- Техническая поддержка проекта;
- Защита от снятия компонента с производства.



#### Как с нами связаться

**Телефон:** 8 (812) 309 58 32 (многоканальный)

**Факс:** 8 (812) 320-02-42

**Электронная почта:** [org@eplast1.ru](mailto:org@eplast1.ru)

**Адрес:** 198099, г. Санкт-Петербург, ул. Калинина, дом 2, корпус 4, литера А.