

Applications

- 802.11b WLAN
- 802.11g WLAN
- 802.11a WLAN
- TX-RX Switching
- Antenna Diversity Switching
- Test and Measurement
- General Purpose Broadband Wireless

Product Features

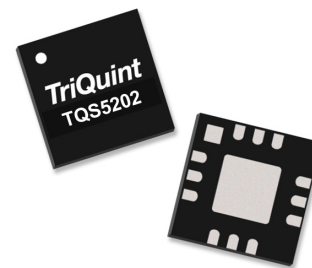
- Integrated TX-RX and Diversity Switch for Dual-band 802.11a/b/g WLAN Systems
- 0.1 to 6.0 GHz Frequency Coverage
- Low Insertion Loss
- High Isolation
- Positive Control Voltage
- No Supply Voltage Necessary
- GaAs pHEMT Technology
- Leadless 3.0 x 3.0 x 0.85 mm Pb-Free SMT Package

General Description

The TQS5202 is a dual-band, double-pole double-throw switch configured for TX-RX and antenna diversity switching applications for the WLAN market and other general purpose transfer switch applications.

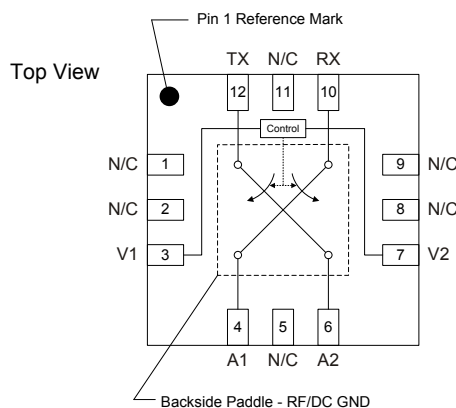
The TQS5202 exhibits industry-leading insertion loss, isolation and power handling. It requires no fixed supply voltage and operates with a positive control voltage.

The TQS5202 is manufactured using TriQuint's GaAs pHEMT process and is packaged in an industry standard 3.0 x 3.0 x 0.85 mm VQFN-12 Pb-Free package.



12-pin 3x3 mm QFN Package

Functional Block Diagram



Pin Configuration

Pin No.	Symbol
1, 2, 5, 8, 9, 11	N/C
3	V1
4	A1
6	A2
7	V2
10	RX
12	TX
Backside Paddle	RF/DC GND

Ordering Information

Part No.	Description
TQS5202	SP3T Reflective Switch
TQS5202-PCB	0.1 - 6.0 GHz Evaluation Board

Standard T/R size = 2500 pieces on a 7" reel

Absolute Maximum Ratings

Parameter	Rating
Storage Temperature	-40 to 150°C
RF Input Power, CW, 50Ω, T = 25°C	+35 dBm
Control Voltage Range	-5.0 to +5.0 V

Operation of this device outside the parameter ranges given above may cause permanent damage.

Recommended Operating Conditions

Parameter	Min	Typ	Max	Units
V _{CTRL} High State	2.5		5.0	V
Operating Temp. Range	-40		+85	°C

Electrical specifications are measured at specified test conditions. Specifications are not guaranteed over all recommended operating conditions.

Electrical Specifications

Test conditions unless otherwise noted: Temp.=+25°C, 50 Ω system

Parameter	Conditions	Min	Typ	Max	Units
Operational Frequency Range		100		6000	MHz
Control Voltage	Low	0		0.2	V
	High	2.5	3.0	5.0	V
Insertion Loss	0.1 – 6 GHz			1.5	dB
	2.3 – 2.5 GHz		0.8	1.1	
	4.9 – 6.0 GHz ⁽⁵⁾		0.95	1.35	
Isolation	0.1 – 6 GHz	20	25		dB
	2.3 – 2.5 GHz	25	33		
	4.9 – 6.0 GHz ⁽⁵⁾	20	28		
Return Loss	0.1 – 6 GHz		12		dB
	2.3 – 2.5 GHz		15		
	4.9 – 6.0 GHz ⁽⁵⁾		15		
Input P1dB ⁽¹⁾	2.3 – 2.5 GHz		+33		dBm
	4.9 – 6.0 GHz		+29		
Input P1dB ⁽²⁾	2.3 – 2.5 GHz		+31		dBm
	4.9 – 6.0 GHz		+27		
Input IP3 ⁽¹⁾⁽³⁾	2.3 – 2.5 GHz		+50		dBm
	4.9 – 6.0 GHz		+50		
Harmonics (2f0) ⁽⁴⁾	2.3 – 2.5 GHz		80		dBc
	4.9 – 6.0 GHz		75		
Harmonics (3f0) ⁽⁴⁾	2.3 – 2.5 GHz		85		dBc
	4.9 – 6.0 GHz		85		
Control Voltage Bias Current	V1 or V2 or V3=5 V			50	uA

Notes:

- V_{CTRL}=3.0 V / 0 V
- V_{CTRL}=2.6 V / 0 V
- P_{IN}=+20 dBm/tone, Δf=1 MHz
- P_{IN}=+20 dBm
- Using 3pF blocking caps

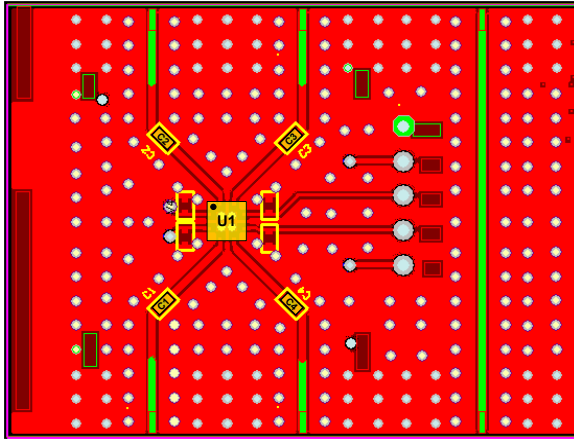
Digital Control Voltages

State	Bias Condition
Low	≤ 0.2V
High	≥ 2.5 V

Switch Control Truth Table

Control Voltages		Signal Path State			
V1	V2	A1-TX	A2-TX	A1-RX	A2-RX
Low	High	ON	OFF	OFF	ON
High	Low	OFF	ON	ON	OFF
All Other States		N/A	N/A	N/A	N/A

TQS5202-PCB Evaluation Board

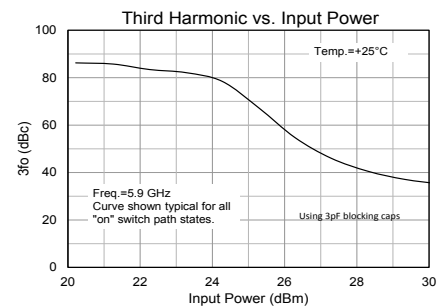
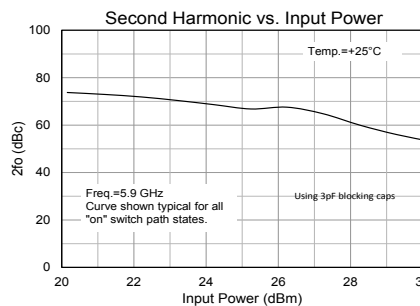
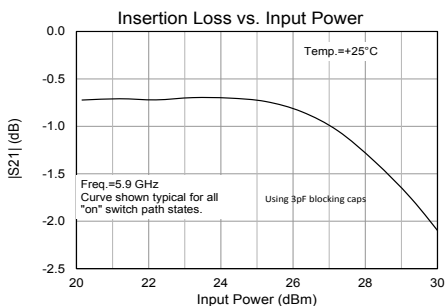
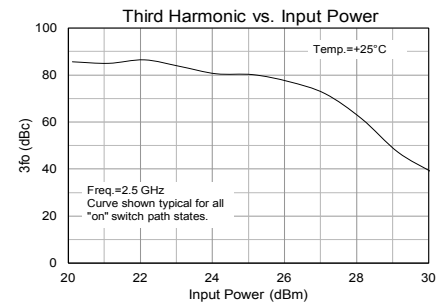
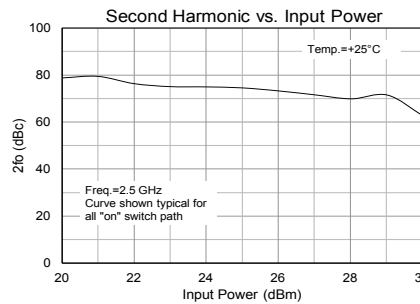
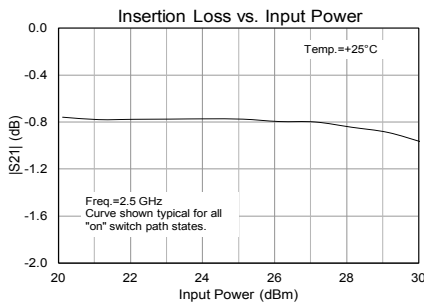
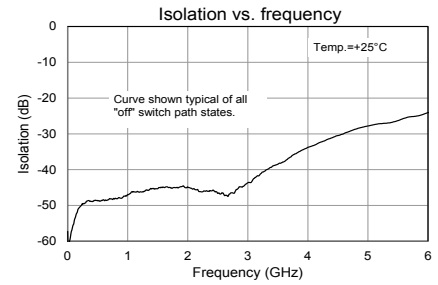
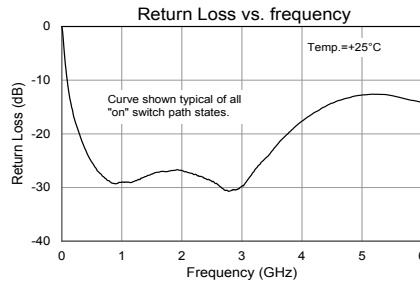
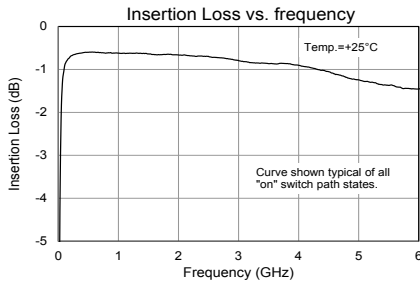


Notes:

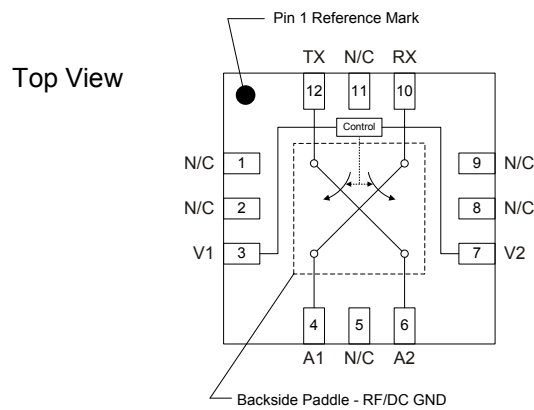
1. See Evaluation Board PCB Specifications section for material and stack-up.
2. C1,C2,C3 and C4 = 100pF.

Performance Plots - (TQS5202-PCB)

Test conditions unless otherwise noted: $V_{CTRL}=3.0\text{ V} / 0.0\text{ V}$, Temp= $+25^{\circ}\text{C}$, 50 Ω system

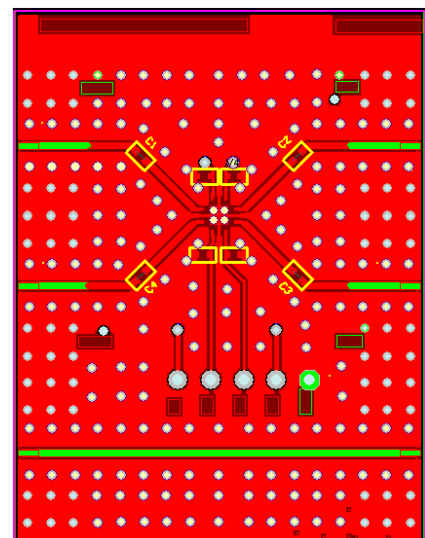
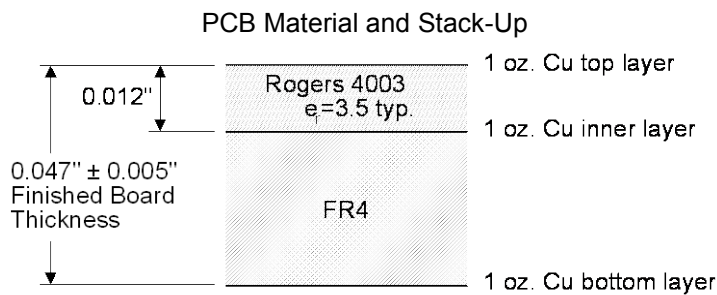


Pin Configuration and Description



Pin No.	Symbol	Description
1, 2, 5, 8, 9, 11	N/C	No internal electrical connection. Provide grounded land pads for PCB mounting integrity.
3	V1	Switch state control voltage 1
4	A1	Antenna Port 1
6	A2	Antenna Port 2
7	V2	Switch state control voltage 2
10	RX	Receive Port
12	TX	Transmit Port
Backside Paddle	RF/DC GND	RF/DC Ground. Use recommended via pattern and ensure good solder attach for best thermal and electrical performance.

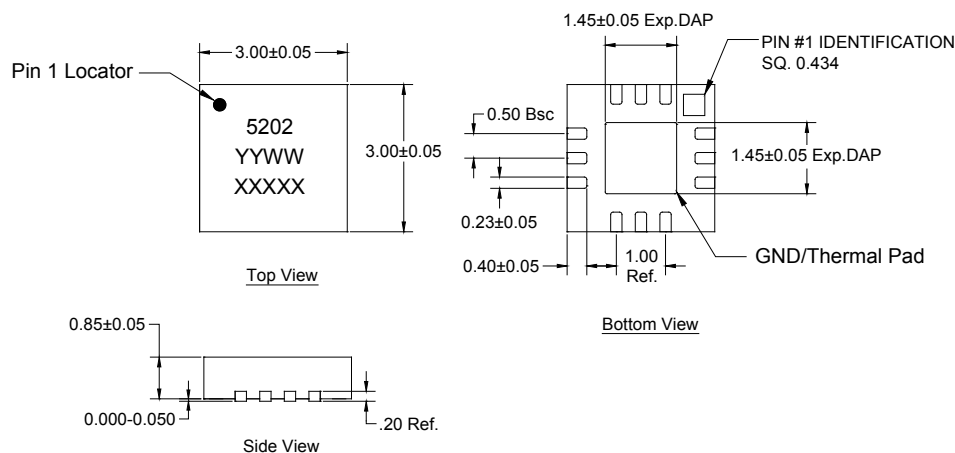
Evaluation Board PCB Specifications



Mechanical Information

Package Marking and Dimensions

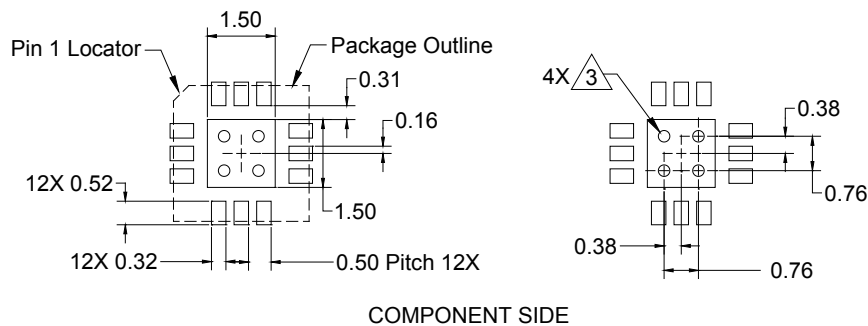
Marking: Product Code – 5202
 Assembly Code - XXXX
 Year/Week - YYWW



Notes:

1. All dimensions are in millimeters . Angles are in degrees.
2. Dimension and tolerance formats conform to ASME Y14.4M-1994.
3. The terminal #1 identifier and terminal numbering conform to JESD 95-1 SPP-012.

PCB Mounting Pattern



Notes:

1. All dimensions are in millimeters. Angles are in degrees.
2. Use 1 oz. copper minimum for top and bottom layer metal.
3. We recommend a 0.35mm (#80/.0135") diameter bit for drilling via holes and a final plated thru diameter of 0.25 mm (0.10").
4. Ensure good package backside paddle solder attach for reliable operation and best electrical performance.

Important Notice

For the latest specifications, additional product information, worldwide sales and distribution locations, and information about TriQuint:

Web: www.triquint.com **Tel:** +1.503.615.9000
Email: info-sales@triquint.com **Fax:** +1.503.615.8902

For technical questions and application information:

Email: sjcapplications.engineering@triquint.com

Contact Information

The information contained herein is believed to be reliable. TriQuint makes no warranties regarding the information contained herein. TriQuint assumes no responsibility or liability whatsoever for any of the information contained herein. TriQuint assumes no responsibility or liability whatsoever for the use of the information contained herein. The information contained herein is provided "AS IS, WHERE IS" and with all faults, and the entire risk associated with such information is entirely with the user. All information contained herein is subject to change without notice. Customers should obtain and verify the latest relevant information before placing orders for TriQuint products. The information contained herein or any use of such information does not grant, explicitly or implicitly, to any party any patent rights, licenses, or any other intellectual property rights, whether with regard to such information itself or anything described by such information.

TriQuint products are not warranted or authorized for use as critical components in medical, life-saving, or life-sustaining applications, or other applications where a failure would reasonably be expected to cause severe personal injury or death.



Компания «ЭлектроПласт» предлагает заключение долгосрочных отношений при поставках импортных электронных компонентов на взаимовыгодных условиях!

Наши преимущества:

- Оперативные поставки широкого спектра электронных компонентов отечественного и импортного производства напрямую от производителей и с крупнейших мировых складов;
- Поставка более 17-ти миллионов наименований электронных компонентов;
- Поставка сложных, дефицитных, либо снятых с производства позиций;
- Оперативные сроки поставки под заказ (от 5 рабочих дней);
- Экспресс доставка в любую точку России;
- Техническая поддержка проекта, помощь в подборе аналогов, поставка прототипов;
- Система менеджмента качества сертифицирована по Международному стандарту ISO 9001;
- Лицензия ФСБ на осуществление работ с использованием сведений, составляющих государственную тайну;
- Поставка специализированных компонентов (Xilinx, Altera, Analog Devices, Intersil, Interpoint, Microsemi, Aeroflex, Peregrine, Syfer, Eurofarad, Texas Instrument, Miteq, Cobham, E2V, MA-COM, Hittite, Mini-Circuits, General Dynamics и др.);

Помимо этого, одним из направлений компании «ЭлектроПласт» является направление «Источники питания». Мы предлагаем Вам помощь Конструкторского отдела:

- Подбор оптимального решения, техническое обоснование при выборе компонента;
- Подбор аналогов;
- Консультации по применению компонента;
- Поставка образцов и прототипов;
- Техническая поддержка проекта;
- Защита от снятия компонента с производства.



Как с нами связаться

Телефон: 8 (812) 309 58 32 (многоканальный)

Факс: 8 (812) 320-02-42

Электронная почта: org@eplast1.ru

Адрес: 198099, г. Санкт-Петербург, ул. Калинина, дом 2, корпус 4, литера А.