

BGM13P32 Module Radio Board BRD4306B Reference Manual



The BRD4306B Blue Gecko Radio Board contains a Blue Gecko BGM13P32 module which integrates Silicon Labs' EFR32BG13 Blue Gecko SoC into a small form factor module. The fully certified module contains all components (a high-performance transceiver, an energy efficient 32-bit MCU, crystals, RF passives, and antenna) required for a system-level implementation of Bluetooth® Low Energy and proprietary wireless networks operating in the 2.4 GHz band with 18 dBm output power.

The BRD4306B Blue Gecko Radio Board plugs into the Wireless Starter Kit Mainboard, which is included with the Blue Gecko Starter Kit and gives access to display, buttons, and additional features from expansion boards. With the supporting Simplicity Studio suite of tools, developers can take advantage of graphical wireless application development, BGScript for Python-like scripting, and visual energy profiling and optimization.

This document contains a brief introduction and description of the BRD4306B Radio Board features, focusing on the RF performance.

RADIO BOARD FEATURES

- Wireless Module: BGM13P22F512GA
 - CPU core: ARM Cortex®-M4 with FPU
 - Flash memory: 512 kB
 - RAM: 64 kB
 - Operation frequency: 2.4 GHz
 - Transmit power: 18 dBm
 - Integrated chip antenna, RF matching network, crystals, and decoupling
- 8 Mbit low-power serial flash for over-the-air updates



Table of Contents

1. Introduction	3
2. Radio Board Connector	4
2.1 Introduction	4
2.2 Radio Board Connector Pin Associations	4
3. Radio Board Block Summary	5
3.1 Introduction	5
3.2 Radio Board Block Diagram	5
3.3 Radio Board Block Description	5
3.3.1 Wireless Module	5
3.3.2 Radio Board Connectors	5
3.3.3 Serial Flash	5
3.3.4 Serial EEPROM	5
4. Mechanical Details	6
5. EMC Compliance	7
5.1 Introduction	7
5.2 EMC Regulations for 2.4 GHz	7
5.2.1 ETSI EN 300-328 Emission Limits for the 2400-2483.5 MHz Band	7
5.2.2 FCC15.247 Emission Limits for the 2400-2483.5 MHz Band	7
5.2.3 Applied Emission Limits for the 2.4 GHz Band	7
6. RF Performance	8
6.1 Radiated Power Measurements	8
6.1.1 Radiated Measurements in the 2.4 GHz Band	8
7. EMC Compliance Recommendations	9
7.1 Recommendations for 2.4 GHz ETSI EN 300-328 Compliance	9
7.2 Recommendations for 2.4 GHz FCC 15.247 Compliance	9
8. Board Revision History	10
9. Errata	11
10. Document Revision History	12

1. Introduction

The BRD4306B Radio Boards provide a development platform (together with the Wireless Starter Kit Mainboard) for the Silicon Labs Blue Gecko BGM13P32 modules.

By carrying the BGM13P32 module, the BRD4306B Radio Board is designed to operate in the 2400-2483.5 MHz with the maximum of 18 dBm output power.

To develop and/or evaluate the BGM13P32 module, the BRD4306B Radio Board can be connected to the Wireless Starter Kit Mainboard to get access to display, buttons, and additional features from expansion boards (EXP boards).

2. Radio Board Connector

2.1 Introduction

The board-to-board connector scheme allows access to all BGM13P32 GPIO pins as well as the RESETn signal. For more information on the functions of the available pins, see the BGM13P32 data sheet.

2.2 Radio Board Connector Pin Associations

The figure below shows the mapping between the connector and the BGM13P32 pins and their function on the Wireless Starter Kit Mainboard.

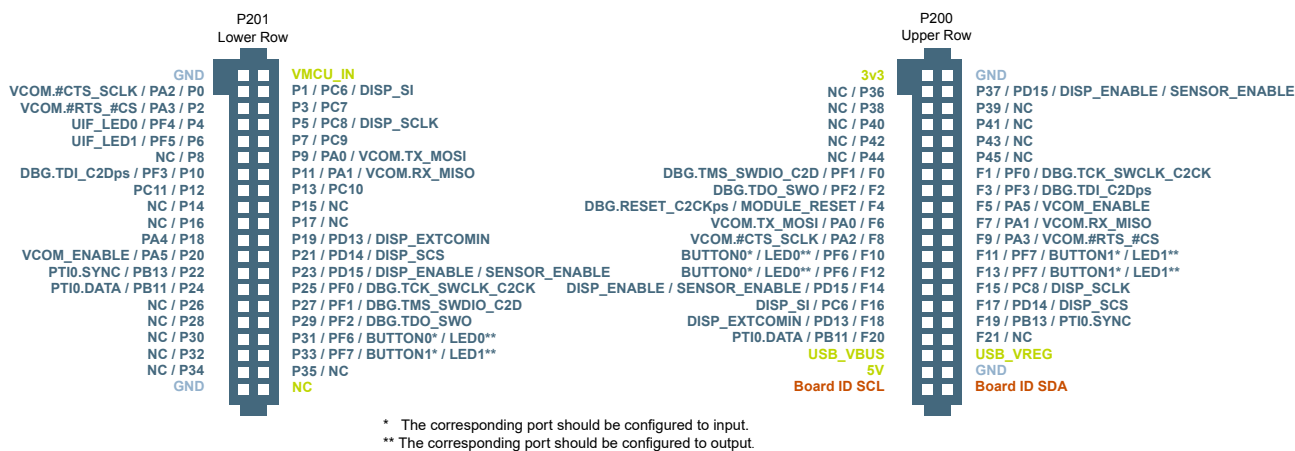


Figure 2.1. BRD4306B Radio Board Connector Pin Mapping

3. Radio Board Block Summary

3.1 Introduction

This section gives a short introduction to the blocks of the BRD4306B Radio Board.

3.2 Radio Board Block Diagram

The block diagram of the BRD4306B Radio Board is shown in the figure below.

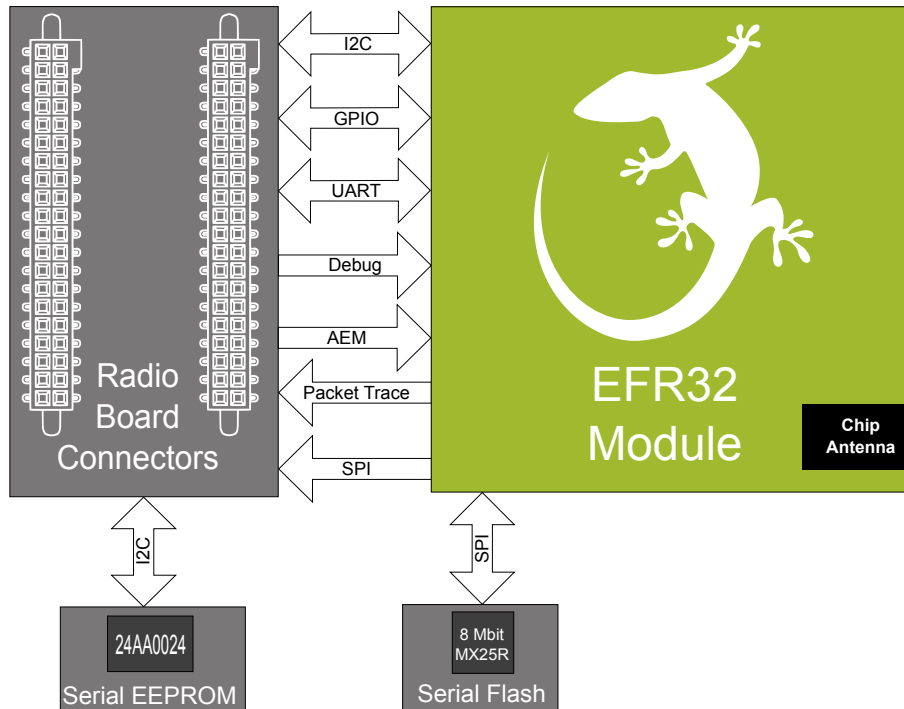


Figure 3.1. BRD4306B Block Diagram

3.3 Radio Board Block Description

3.3.1 Wireless Module

The BGM13P22F512GA module incorporated on the BRD4306B Blue Gecko Radio Board features a 32-bit Cortex[®]-M4 with FPU core, 512 kB of flash memory, 64 kB of RAM, crystals, and a 2.4 GHz band transceiver with RF passives and integrated antenna output power up to 18 dBm. For additional information on the BGM13P22F512GA, refer to the BGM13P data sheet.

3.3.2 Radio Board Connectors

Two dual-row, 0.05" pitch polarized connectors make up the BRD4306B Radio Board interface to the Wireless Starter Kit Mainboard.

For more information on the pin mapping between the BGM13P22F512GA and the Radio Board Connector, refer to section [2.2 Radio Board Connector Pin Associations](#).

3.3.3 Serial Flash

The BRD4306B Radio Board is equipped with an 8 Mbit Macronix MX25R SPI flash that is connected directly to the BGM13P32 to support over-the-air (OTA) updates. For additional information on the pin mapping see the BRD4306B schematic.

3.3.4 Serial EEPROM

The BRD4306B Radio Board is equipped with a serial I²C EEPROM for board identification and to store additional board related information.

4. Mechanical Details

The BRD4306B Radio Board is illustrated in the figures below.

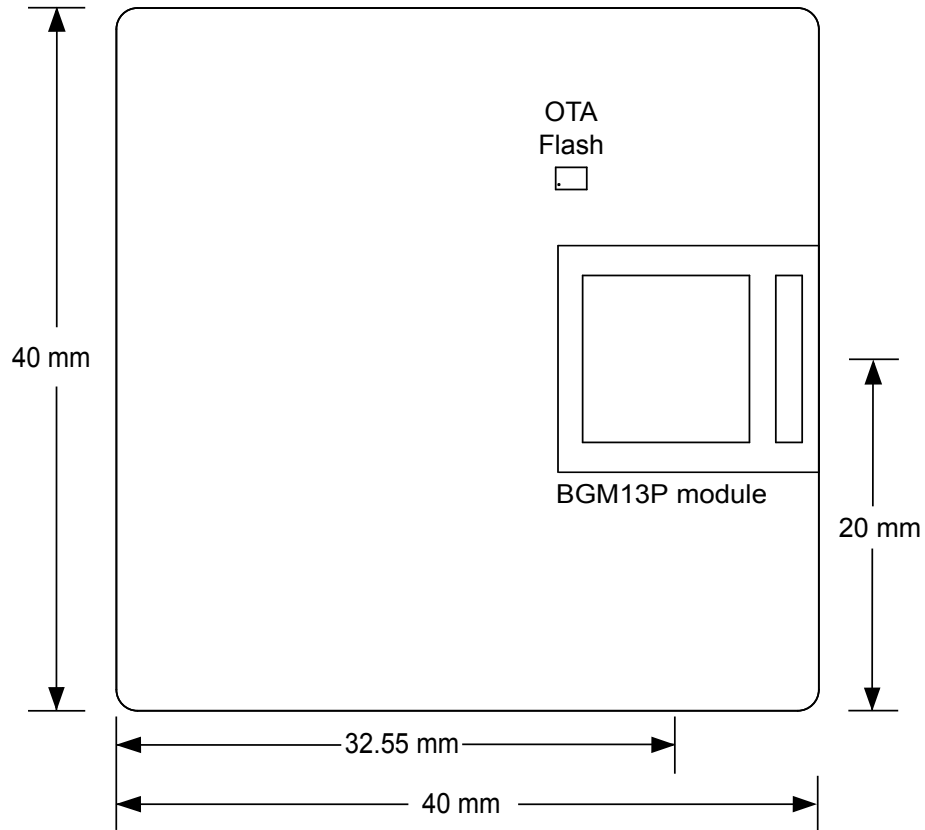


Figure 4.1. BRD4306B Top View

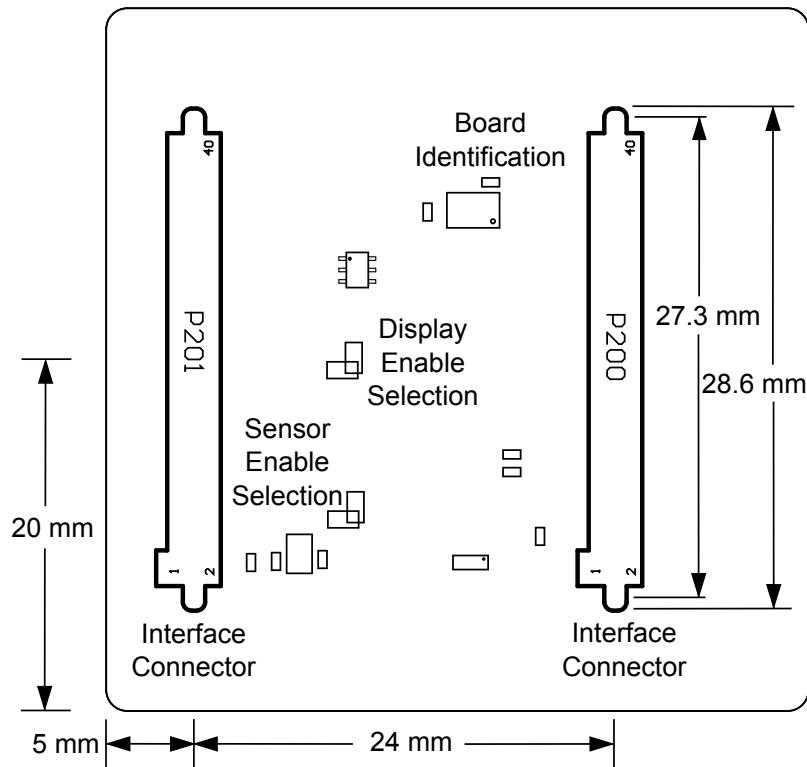


Figure 4.2. BRD4306B Bottom View

5. EMC Compliance

5.1 Introduction

Compliance of the fundamental and harmonic levels of the BRD4306B Radio Board is tested against the following standards:

- 2.4 GHz:
 - ETSI EN 300-328
 - FCC 15.247

5.2 EMC Regulations for 2.4 GHz

5.2.1 ETSI EN 300-328 Emission Limits for the 2400-2483.5 MHz Band

Based on ETSI EN 300-328, the allowed maximum fundamental power for the 2400-2483.5 MHz band is 20 dBm EIRP. For the unwanted emissions in the 1 GHz to 12.75 GHz domain, the specific limit is -30 dBm EIRP.

5.2.2 FCC15.247 Emission Limits for the 2400-2483.5 MHz Band

FCC 15.247 allows conducted output power up to 1 Watt (30 dBm) in the 2400-2483.5 MHz band. For spurious emissions the limit is -20 dBc based on either conducted or radiated measurement, if the emission is not in a restricted band. The restricted bands are specified in FCC 15.205. In these bands the spurious emission levels must meet the levels set out in FCC 15.209. In the range from 960 MHz to the frequency of the 5th harmonic, it is defined as 0.5 mV/m at 3 m distance which equals to -41.2 dBm in EIRP.

Additionally, for spurious frequencies above 1 GHz, FCC 15.35 allows duty-cycle relaxation to the regulatory limits. For the EmberZNet PRO the relaxation is 3.6 dB. Therefore, the -41.2 dBm limit can be modified to -37.6 dBm.

If operating in the 2400-2483.5 MHz band, the 2nd, 3rd, and 5th harmonics can fall into restricted bands. As a result, for those harmonics the -37.6 dBm limit should be applied. For the 4th harmonic the -20 dBc limit should be applied.

5.2.3 Applied Emission Limits for the 2.4 GHz Band

The above ETSI limits are applied both for conducted and radiated measurements.

The FCC restricted band limits are radiated limits only. In addition, Silicon Labs applies the same restrictions to the conducted spectrum. By doing so, compliance with the radiated limits can be estimated based on the conducted measurement, by assuming the use of an antenna with 0 dB gain at the fundamental and the harmonic frequencies.

The overall applied limits are shown in the table below.

Table 5.1. Applied Limits for Spurious Emissions for the 2.4 GHz Band

Harmonic	Frequency	Limit
2nd	4800~4967 MHz	-37.6 dBm
3rd	7200~7450.5 MHz	-37.6 dBm
4th	9600~9934 MHz	-30 dBm
5th	12000~12417.5 MHz	-37.6 dBm

6. RF Performance

6.1 Radiated Power Measurements

During measurements, the BRD4306B Radio Board was attached to a Wireless Starter Kit Mainboard which was supplied by USB. The voltage supply for the Radio Board was 3.3 V. The radiated power was measured in an antenna chamber by rotating the board 360 degrees with horizontal and vertical reference antenna polarizations in the XY, XZ, and YZ cuts. The measurement planes are illustrated in the figure below.

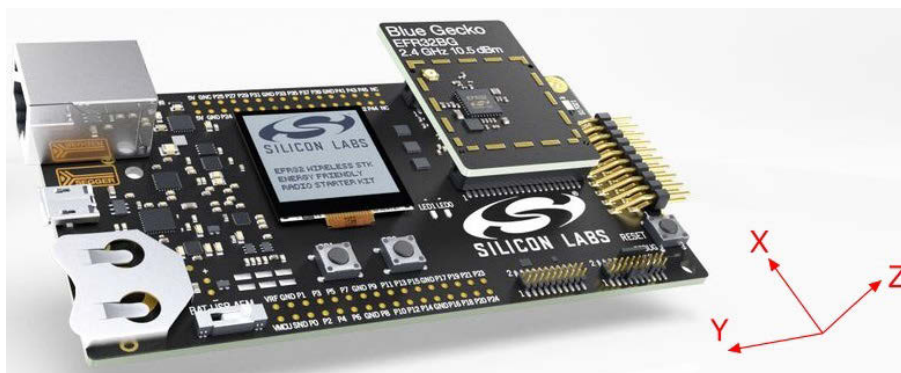


Figure 6.1. Illustration of Reference Planes with a Radio Board Plugged into the Wireless Starter Kit Mainboard

Note: The radiated measurement results presented in this document were recorded in an unlicensed antenna chamber. Also, the radiated power levels may change depending on the actual application (PCB size, used antenna, and so on). Therefore, the absolute levels and margins of the final application are recommended to be verified in a licensed EMC testhouse.

6.1.1 Radiated Measurements in the 2.4 GHz Band

The supply for the module (VDD) was 3.3 V provided by the mainboard; for details, see the BRD4306B schematic. The transceiver was operated in continuous carrier transmission mode. The output power of the radio was set to 18 dBm based on the conducted measurement.

The fundamental was set to the frequency where the maximum antenna gain was measured. The results are shown in the table below.

Note: The frequency in which the antenna gain has its maximum value can vary between modules due to the technological spreading of the passive RF components and the antenna.

Table 6.1. Maximums of the Measured Radiated Powers in EIRP [dBm]

Frequency	EIRP [dBm]	Orientation	Margin [dB]	Limit in EIRP [dBm]
Fund (2420 MHz)	17.2	XY/H	12.8	30
2nd	-55.4	XZ/V	17.8	-37.6
3rd	<-50*	-/-	>10	-37.6
4th	<-50*	-/-	>10	-30
5th	<-50*	-/-	>10	-37.6

* Signal level is below the Spectrum Analyzer noise floor.

As shown in the table, the level of the fundamental is 17.2 dBm. The strongest harmonic is the double-frequency one and it is compliant with the -37.6 dBm applied limit with large margin.

7. EMC Compliance Recommendations

7.1 Recommendations for 2.4 GHz ETSI EN 300-328 Compliance

As shown in the previous section, the power of the fundamental frequency of the BRD4306B Blue Gecko Radio Board with 18 dBm output is compliant with the 20 dBm limit of the ETSI EN 300-328 regulation. The harmonic emissions are under the -30 dBm limit with large margin.

7.2 Recommendations for 2.4 GHz FCC 15.247 Compliance

As shown in the previous section, the power of the fundamental frequency of the BRD4306B Blue Gecko Radio Board with 18 dBm output is compliant with the 30 dBm limit of the FCC 15.247 regulation. The harmonic emissions are under the -37.6 dBm applied limit with margin.

8. Board Revision History

Table 8.1. BRD4306B Radio Board Revisions

Radio Board Revision	Description
A01	Updating module revision to Rev. V2.
A00	Initial revision.

Note: The silkscreen marking on the board (e.g. PCBxxxx A00) denotes the revision of the PCB. The revision of the actual Radio Board is laser printed in the "Board Info" field on the PCB. Also, it can be read from the on-board EEPROM.

9. Errata

There are no known errata at present.

10. Document Revision History

Revision 1.00

June, 2018

- Initial document release.

Silicon Labs

Simplicity Studio™4



Simplicity Studio

One-click access to MCU and wireless tools, documentation, software, source code libraries & more. Available for Windows, Mac and Linux!



IoT Portfolio

www.silabs.com/IoT



SW/HW

www.silabs.com/simplicity



Quality

www.silabs.com/quality



Support and Community

community.silabs.com

Disclaimer

Silicon Labs intends to provide customers with the latest, accurate, and in-depth documentation of all peripherals and modules available for system and software implementers using or intending to use the Silicon Labs products. Characterization data, available modules and peripherals, memory sizes and memory addresses refer to each specific device, and "Typical" parameters provided can and do vary in different applications. Application examples described herein are for illustrative purposes only. Silicon Labs reserves the right to make changes without further notice and limitation to product information, specifications, and descriptions herein, and does not give warranties as to the accuracy or completeness of the included information. Silicon Labs shall have no liability for the consequences of use of the information supplied herein. This document does not imply or express copyright licenses granted hereunder to design or fabricate any integrated circuits. The products are not designed or authorized to be used within any Life Support System without the specific written consent of Silicon Labs. A "Life Support System" is any product or system intended to support or sustain life and/or health, which, if it fails, can be reasonably expected to result in significant personal injury or death. Silicon Labs products are not designed or authorized for military applications. Silicon Labs products shall under no circumstances be used in weapons of mass destruction including (but not limited to) nuclear, biological or chemical weapons, or missiles capable of delivering such weapons.

Trademark Information

Silicon Laboratories Inc.®, Silicon Laboratories®, Silicon Labs®, SiLabs® and the Silicon Labs logo®, Bluegiga®, Bluegiga Logo®, Clockbuilder®, CMEMS®, DSPLL®, EFM®, EFM32®, EFR®, Ember®, Energy Micro, Energy Micro logo and combinations thereof, "the world's most energy friendly microcontrollers", Ember®, EZLink®, EZRadio®, EZRadioPRO®, Gecko®, ISOModem®, Micrium, Precision32®, ProSLIC®, Simplicity Studio®, SiPHY®, Telegesis, the Telegesis Logo®, USBXpress®, Zentri, Z-Wave, and others are trademarks or registered trademarks of Silicon Labs. ARM, CORTEX, Cortex-M3 and THUMB are trademarks or registered trademarks of ARM Holdings. Keil is a registered trademark of ARM Limited. All other products or brand names mentioned herein are trademarks of their respective holders.



SILICON LABS

Silicon Laboratories Inc.
400 West Cesar Chavez
Austin, TX 78701
USA

<http://www.silabs.com>



Компания «ЭлектроПласт» предлагает заключение долгосрочных отношений при поставках импортных электронных компонентов на взаимовыгодных условиях!

Наши преимущества:

- Оперативные поставки широкого спектра электронных компонентов отечественного и импортного производства напрямую от производителей и с крупнейших мировых складов;
- Поставка более 17-ти миллионов наименований электронных компонентов;
- Поставка сложных, дефицитных, либо снятых с производства позиций;
- Оперативные сроки поставки под заказ (от 5 рабочих дней);
- Экспресс доставка в любую точку России;
- Техническая поддержка проекта, помощь в подборе аналогов, поставка прототипов;
- Система менеджмента качества сертифицирована по Международному стандарту ISO 9001;
- Лицензия ФСБ на осуществление работ с использованием сведений, составляющих государственную тайну;
- Поставка специализированных компонентов (Xilinx, Altera, Analog Devices, Intersil, Interpoint, Microsemi, Aeroflex, Peregrine, Syfer, Eurofarad, Texas Instrument, Miteq, Cobham, E2V, MA-COM, Hittite, Mini-Circuits, General Dynamics и др.);

Помимо этого, одним из направлений компании «ЭлектроПласт» является направление «Источники питания». Мы предлагаем Вам помощь Конструкторского отдела:

- Подбор оптимального решения, техническое обоснование при выборе компонента;
- Подбор аналогов;
- Консультации по применению компонента;
- Поставка образцов и прототипов;
- Техническая поддержка проекта;
- Защита от снятия компонента с производства.



Как с нами связаться

Телефон: 8 (812) 309 58 32 (многоканальный)

Факс: 8 (812) 320-02-42

Электронная почта: org@eplast1.ru

Адрес: 198099, г. Санкт-Петербург, ул. Калинина, дом 2, корпус 4, литера А.