

# MC14569B

## Programmable Divide-By-N Dual 4-Bit Binary/BCD Down Counter

The MC14569B is a programmable divide-by-N dual 4-bit binary or BCD down counter constructed with MOS P-Channel and N-Channel enhancement mode devices (complementary MOS) in a monolithic structure.

This device has been designed for use with the MC14568B phase comparator/counter in frequency synthesizers, phase-locked loops, and other frequency division applications requiring low power dissipation and/or high noise immunity.

### Features

- Speed-up Circuitry for Zero Detection
- Each 4-Bit Counter Can Divide Independently in BCD or Binary Mode
- Can be Cascaded With MC14526B for Frequency Synthesizer Applications
- All Outputs are Buffered
- Schmitt Triggered Clock Conditioning
- These Devices are Pb-Free and are RoHS Compliant

### MAXIMUM RATINGS (Voltages Referenced to $V_{SS}$ )

| Symbol            | Parameter   | Value                  | Unit               |
|-------------------|---|------------------------|--------------------|
| $V_{DD}$          | DC Supply Voltage Range                           | -0.5 to +18.0          | V                  |
| $V_{in}, V_{out}$ | Input or Output Voltage Range (DC or Transient)   | -0.5 to $V_{DD} + 0.5$ | V                  |
| $I_{in}, I_{out}$ | Input or Output Current (DC or Transient) per Pin | $\pm 10$               | mA                 |
| $P_D$             | Power Dissipation, per Package (Note 1)           | 500                    | mW                 |
| $T_A$             | Ambient Temperature Range                         | -55 to +125            | $^{\circ}\text{C}$ |
| $T_{stg}$         | Storage Temperature Range                         | -65 to +150            | $^{\circ}\text{C}$ |
| $T_L$             | Lead Temperature (8-Second Soldering)             | 260                    | $^{\circ}\text{C}$ |

Maximum ratings are those values beyond which device damage can occur. Maximum ratings applied to the device are individual stress limit values (not normal operating conditions) and are not valid simultaneously. If these limits are exceeded, device functional operation is not implied, damage may occur and reliability may be affected.

#### 1. Temperature Derating:

Plastic "P and D/DW" Packages: - 7.0 mW/ $^{\circ}\text{C}$  From 65 $^{\circ}\text{C}$  To 125 $^{\circ}\text{C}$

This device contains protection circuitry to guard against damage due to high static voltages or electric fields. However, precautions must be taken to avoid applications of any voltage higher than maximum rated voltages to this high-impedance circuit. For proper operation,  $V_{in}$  and  $V_{out}$  should be constrained to the range  $V_{SS} \leq (V_{in} \text{ or } V_{out}) \leq V_{DD}$ .

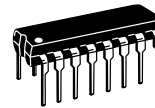
Unused inputs must always be tied to an appropriate logic voltage level (e.g., either  $V_{SS}$  or  $V_{DD}$ ). Unused outputs must be left open.



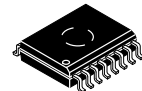
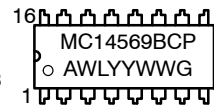
ON Semiconductor®

<http://onsemi.com>

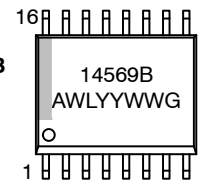
### MARKING DIAGRAMS



PDIP-16  
P SUFFIX  
CASE 648



SOIC-16 WB  
DW SUFFIX  
CASE 751G



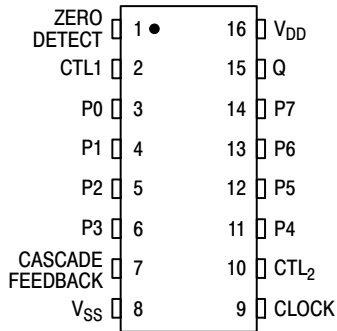
A = Assembly Location  
WL = Wafer Lot  
YY = Year  
WW = Work Week  
G = Pb-Free Package

### ORDERING INFORMATION

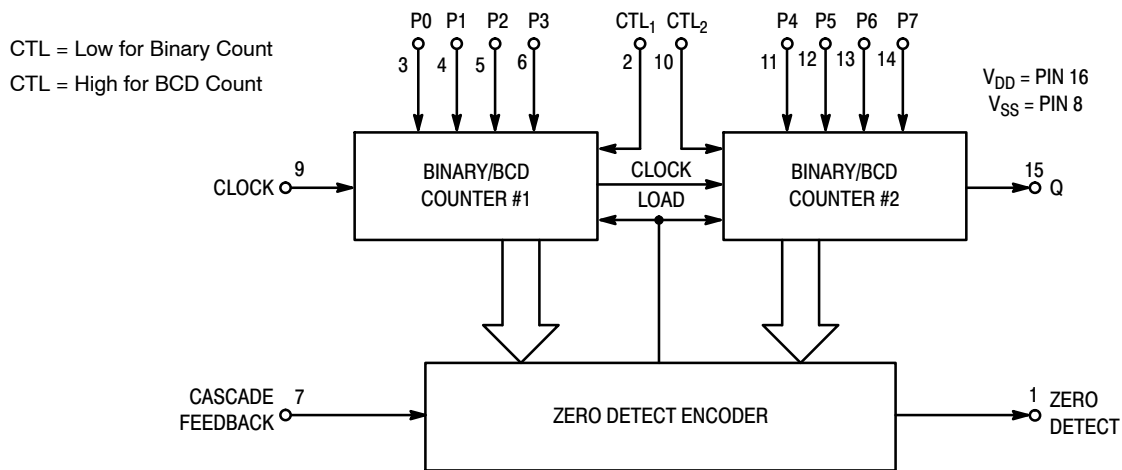
See detailed ordering and shipping information in the package dimensions section on page 2 of this data sheet.

# MC14569B

## PIN ASSIGNMENT



## BLOCK DIAGRAM



## ORDERING INFORMATION

| Device        | Package                 | Shipping†                |
|---------------|-------------------------|--------------------------|
| MC14569BCPG   | PDIP-16<br>(Pb-Free)    | 500 Units / Rail         |
| MC14569BDWG   | SOIC-16 WB<br>(Pb-Free) | 47 Units / Rail          |
| MC14569BDWR2G | SOIC-16 WB<br>(Pb-Free) | 1000 Units / Tape & Reel |

†For information on tape and reel specifications, including part orientation and tape sizes, please refer to our Tape and Reel Packaging Specifications Brochure, BRD8011/D.

# MC14569B

## ELECTRICAL CHARACTERISTICS (Voltages Referenced to V<sub>SS</sub>)

| Characteristic  | Symbol                     | V <sub>DD</sub><br>Vdc | - 55°C   |       | 25°C |                 |       | 125°C |       | Unit |      |
|---|----------------------------|------------------------|--|-------|------|-----------------|-------|-------|-------|------|------|
|   |                            |                        | Min  | Max   | Min  | Typ<br>(Note 2) | Max   | Min   | Max   |      |      |
| Output Voltage<br>V <sub>in</sub> = V <sub>DD</sub> or 0<br><br>V <sub>in</sub> = 0 or V <sub>DD</sub>  | "0" Level<br><br>"1" Level | V <sub>OL</sub>        | 5.0  | -     | 0.05 | -               | 0     | 0.05  | -     | 0.05 | Vdc  |
|   |                            |                        | 10   | -     | 0.05 | -               | 0     | 0.05  | -     | 0.05 |      |
| 15  |                            |                        | -  | 0.05  | -    | 0               | 0.05  | -     | 0.05  |      |      |
| V <sub>OH</sub>   | "1" Level                  | V <sub>OH</sub>        | 5.0  | 4.95  | -    | 4.95            | 5.0   | -     | 4.95  | -    | Vdc  |
|   |                            |                        | 10   | 9.95  | -    | 9.95            | 10    | -     | 9.95  | -    |      |
|   |                            |                        | 15   | 14.95 | -    | 14.95           | 15    | -     | 14.95 | -    |      |
| Input Voltage<br>(V <sub>O</sub> = 4.5 or 0.5 Vdc)<br>(V <sub>O</sub> = 9.0 or 1.0 Vdc)<br>(V <sub>O</sub> = 13.5 or 1.5 Vdc)                       | "0" Level                  | V <sub>IL</sub>        | 5.0  | -     | 1.5  | -               | 2.25  | 1.5   | -     | 1.5  | Vdc  |
|   |                            |                        | 10   | -     | 3.0  | -               | 4.50  | 3.0   | -     | 3.0  |      |
| 15  |                            |                        | -  | 4.0   | -    | 6.75            | 4.0   | -     | 4.0   |      |      |
| (V <sub>O</sub> = 0.5 or 4.5 Vdc)<br>(V <sub>O</sub> = 1.0 or 9.0 Vdc)<br>(V <sub>O</sub> = 1.5 or 13.5 Vdc)  | "1" Level                  | V <sub>IH</sub>        | 5.0  | 3.5   | -    | 3.5             | 2.75  | -     | 3.5   | -    | Vdc  |
|   |                            |                        | 10   | 7.0   | -    | 7.0             | 5.50  | -     | 7.0   | -    |      |
|   |                            |                        | 15   | 11    | -    | 11              | 8.25  | -     | 11    | -    |      |
| Output Drive Current<br>(V <sub>OH</sub> = 2.5 Vdc)<br>(V <sub>OH</sub> = 4.6 Vdc)<br>(V <sub>OH</sub> = 9.5 Vdc)<br>(V <sub>OH</sub> = 13.5 Vdc)   | Source                     | I <sub>OH</sub>        | 5.0  | -3.0  | -    | -2.4            | -4.2  | -     | -1.7  | -    | mAdc |
|   |                            |                        | 5.0  | -0.64 | -    | -0.51           | -0.88 | -     | -0.36 | -    |      |
| 10  |                            |                        | -1.6   | -     | -1.3 | -2.25           | -     | -0.9  | -     |      |      |
| 15  |                            |                        | -4.2   | -     | -3.4 | -8.8            | -     | -2.4  | -     |      |      |
| (V <sub>OL</sub> = 0.4 Vdc)<br>(V <sub>OL</sub> = 0.5 Vdc)<br>(V <sub>OL</sub> = 1.5 Vdc)   | Sink                       | I <sub>OL</sub>        | 5.0  | 0.64  | -    | 0.51            | 0.88  | -     | 0.36  | -    | mAdc |
|   |                            |                        | 10   | 1.6   | -    | 1.3             | 2.25  | -     | 0.9   | -    |      |
|   |                            |                        | 15   | 4.2   | -    | 3.4             | 8.8   | -     | 2.4   | -    |      |
| Input Current   | I <sub>in</sub>            | 15                     | -  | ±0.1  | -    | ±0.00001        | ±0.1  | -     | ±1.0  | μAdc |      |
| Input Capacitance<br>(V <sub>in</sub> = 0)  | C <sub>in</sub>            | -                      | -  | -     | -    | 5.0             | 7.5   | -     | -     | pF   |      |
| Quiescent Current<br>(Per Package)  | I <sub>DD</sub>            | 5.0                    | -  | 5.0   | -    | 0.005           | 5.0   | -     | 150   | μAdc |      |
|   |                            | 10                     | -  | 10    | -    | 0.010           | 10    | -     | 300   |      |      |
|   |                            | 15                     | -  | 20    | -    | 0.015           | 20    | -     | 600   |      |      |
| Total Supply Current (Notes 3 & 4)<br>(Dynamic plus Quiescent,<br>Per Package)<br>(C <sub>L</sub> = 50 pF on all outputs, all<br>buffers switching) | I <sub>T</sub>             | 5.0<br>10<br>15        | $I_T = (0.58 \mu\text{A}/\text{kHz}) f + I_{DD}$<br>$I_T = (1.20 \mu\text{A}/\text{kHz}) f + I_{DD}$<br>$I_T = (1.95 \mu\text{A}/\text{kHz}) f + I_{DD}$ |       |      |                 |       |       |       | μAdc |      |

2. Data labelled "Typ" is not to be used for design purposes but is intended as an indication of the IC's potential performance.

3. The formulas given are for the typical characteristics only at 25°C.

4. To calculate total supply current at loads other than 50 pF:

$$I_T(C_L) = I_T(50 \text{ pF}) + (C_L - 50) Vfk$$

where: I<sub>T</sub> is in μA (per package), C<sub>L</sub> in pF, V = (V<sub>DD</sub> - V<sub>SS</sub>) in volts, f in kHz is input frequency, and k = 0.001.

# MC14569B

## SWITCHING CHARACTERISTICS (C<sub>L</sub> = 50 pF, T<sub>A</sub> = 25°C)

| Characteristic                            | Symbol                              | V <sub>DD</sub><br>Vdc | All Types        |                 |     | Unit |      |    |
|---|-------------------------------------|------------------------|------------------|-----------------|-----|------|------|----|
|   |                                     |                        | Min              | Typ<br>(Note 5) | Max |      |      |    |
| Output Rise Time                          | t <sub>TLH</sub>                    | 5.0                    | –                | 100             | 200 | ns   |      |    |
|   |                                     | 10                     | –                | 50              | 100 |      |      |    |
|   |                                     | 15                     | –                | 40              | 80  |      |      |    |
| Output Fall Time                          | t <sub>THL</sub>                    | 5.0                    | –                | 100             | 200 | ns   |      |    |
|   |                                     | 10                     | –                | 50              | 100 |      |      |    |
|   |                                     | 15                     | –                | 40              | 80  |      |      |    |
| Turn-On Delay Time<br>Zero Detect Output  | t <sub>PLH</sub>                    | 5.0                    | –                | 420             | 700 | ns   |      |    |
|   |                                     | 10                     | –                | 175             | 300 |      |      |    |
|   |                                     | 15                     | –                | 125             | 250 |      |      |    |
|   |                                     | Q Output               | t <sub>PLH</sub> | 5.0             | –   | 675  | 1200 | ns |
|   |                                     |                        |                  | 10              | –   | 285  | 500  |    |
|   |                                     |                        |                  | 15              | –   | 200  | 400  |    |
| Turn-Off Delay Time<br>Zero Detect Output | t <sub>PHL</sub>                    | 5.0                    | –                | 380             | 600 | ns   |      |    |
|   |                                     | 10                     | –                | 150             | 300 |      |      |    |
|   |                                     | 15                     | –                | 100             | 200 |      |      |    |
|   |                                     | Q Output               | t <sub>PHL</sub> | 5.0             | –   | 530  | 1000 | ns |
|   |                                     |                        |                  | 10              | –   | 225  | 400  |    |
|   |                                     |                        |                  | 15              | –   | 155  | 300  |    |
| Clock Pulse Width                         | t <sub>WH</sub>                     | 5.0                    | 300              | 100             | –   | ns   |      |    |
|   |                                     | 10                     | 150              | 45              | –   |      |      |    |
|   |                                     | 15                     | 115              | 30              | –   |      |      |    |
| Clock Pulse Frequency                     | f <sub>cl</sub>                     | 5.0                    | –                | 3.5             | 2.1 | MHz  |      |    |
|   |                                     | 10                     | –                | 9.5             | 5.1 |      |      |    |
|   |                                     | 15                     | –                | 13.0            | 7.8 |      |      |    |
| Clock Pulse Rise and Fall Time            | t <sub>TLH</sub> , t <sub>THL</sub> | 5.0                    | NO LIMIT         |                 |     | μs   |      |    |
|   |                                     | 10                     |                  |                 |     |      |      |    |
|   |                                     | 15                     |                  |                 |     |      |      |    |

5. Data labelled "Typ" is not to be used for design purposes but is intended as an indication of the IC's potential performance.

## SWITCHING WAVEFORMS

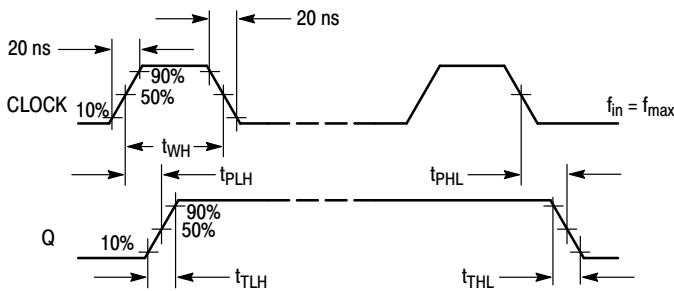


Figure 1.

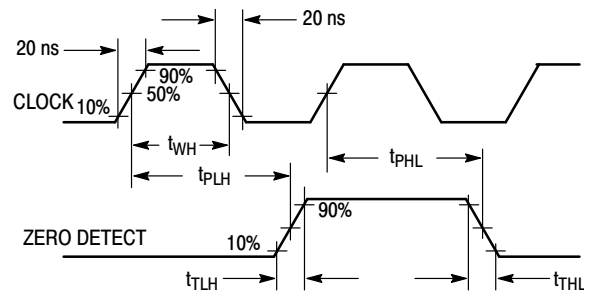


Figure 2.

# MC14569B

## PIN DESCRIPTIONS

### INPUTS

**P0, P1, P2, P3 (Pins 3, 4, 5, 6)** – Preset Inputs. Programmable inputs for the least significant counter. May be binary or BCD depending on the control input.

**P4, P5, P6, P7 (Pins 11, 12, 13, 14)** – Preset Inputs. Programmable inputs for the most significant counter. May be binary or BCD depending on the control input.

**Clock (Pin 9)** – Preset data is decremented by one on each positive transition of this signal.

### OUTPUTS

**Zero Detect (Pin 1)** – This output is normally low and goes high for one clock cycle when the counter has decremented to zero.

**Q (Pin 15)** – Output of the last stage of the most significant counter. This output will be inactive unless the preset input P7 has been set high.

### CONTROLS

**Cascade Feedback (Pin 7)** – This pin is normally set high. When low, loading of the preset inputs (P0 through P7) is inhibited, i.e., P0 through P7 are “don’t cares.” Refer to Table 1 for output characteristics.

**CTL<sub>1</sub> (Pin 2)** – This pin controls the counting mode of the least significant counter. When set high, counting mode is BCD. When set low, counting mode is binary.

**CTL<sub>2</sub> (Pin 10)** – This pin controls the counting mode of the most significant counter. When set high, counting mode is BCD. When set low, counting mode is binary.

### SUPPLY PINS

**V<sub>SS</sub> (Pin 18)** – Negative Supply Voltage. This pin is usually connected to ground.

**V<sub>DD</sub> (Pin 16)** – Positive Supply Voltage. This pin is connected to a positive supply voltage ranging from 3.0 V to 18 V.

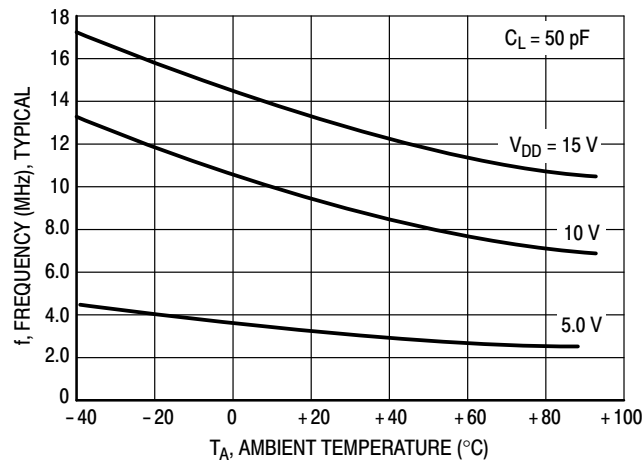
## OPERATING CHARACTERISTICS

The MC14569B is a programmable divide-by-N dual 4-bit down counter. This counter may be programmed (i.e., preset) in BCD or binary code through inputs P0 to P7. For each counter, the counting sequence may be chosen independently by applying a high (for BCD count) or a low (for binary count) to the control inputs CTL<sub>1</sub> and CTL<sub>2</sub>.

The divide ratio N (N being the value programmed on the preset inputs P0 to P7) is automatically loaded into the counter as soon as the count 1 is detected. Therefore, a division ratio of one is not possible. After N clock cycles,

one pulse appears on the Zero Detect output. (See Timing Diagram.) The Q output is the output of the last stage of the most significant counter (See Tables 1 through 5, Mode Controls.)

When cascading the MC14569B to the MC14526B, the Cascade Feedback input, Q, and Zero Detect outputs must be respectively connected to “0”, Clock, and Load of the following counter. If the MC14569B is used alone, Cascade Feedback must be connected to V<sub>DD</sub>.





# MC14569B

**Table 3 Mode Controls** (CTL<sub>1</sub> = High, CTL<sub>2</sub> = Low, Cascade Feedback = High)

| Preset Inputs        |    |    |    |                   |    |    |    | Divide Ratio |     | Comments   |
|----------------------|----|----|----|-------------------|----|----|----|--------------|-----|--|
| P7                   | P6 | P5 | P4 | P3                | P2 | P1 | P0 | Zero Detect  | Q   |  |
| 0                    | 0  | 0  | 0  | 0                 | 0  | 0  | 0  | 160          | 160 | Max Count<br>Illegal State<br>Min Count                |
| 0                    | 0  | 0  | 0  | 0                 | 0  | 0  | 1  | X            | X   |  |
| 0                    | 0  | 0  | 0  | 0                 | 0  | 1  | 0  | 2            | X   |  |
| 0                    | 0  | 0  | 0  | 0                 | 0  | 1  | 1  | 3            | X   |  |
| .                    | .  | .  | .  | .                 | .  | .  | .  | .            | X   |  |
| .                    | .  | .  | .  | .                 | .  | .  | .  | .            | X   |  |
| .                    | .  | .  | .  | .                 | .  | .  | .  | .            | X   |  |
| 0                    | 0  | 0  | 0  | 1                 | 0  | 0  | 1  | 9            | X   |  |
| 0                    | 0  | 0  | 1  | 0                 | 0  | 0  | 0  | 10           | X   |  |
| .                    | .  | .  | .  | .                 | .  | .  | .  | .            | X   |  |
| .                    | .  | .  | .  | .                 | .  | .  | .  | .            | X   |  |
| .                    | .  | .  | .  | .                 | .  | .  | .  | .            | X   |  |
| 0                    | 0  | 0  | 1  | 1                 | 0  | 0  | 1  | 19           | X   |  |
| 0                    | 0  | 1  | 0  | 0                 | 0  | 0  | 0  | 20           | X   |  |
| .                    | .  | .  | .  | .                 | .  | .  | .  | .            | X   |  |
| .                    | .  | .  | .  | .                 | .  | .  | .  | .            | X   |  |
| 0                    | 0  | 1  | 1  | 0                 | 0  | 0  | 0  | 30           | X   |  |
| .                    | .  | .  | .  | .                 | .  | .  | .  | .            | X   |  |
| .                    | .  | .  | .  | .                 | .  | .  | .  | .            | X   |  |
| .                    | .  | .  | .  | .                 | .  | .  | .  | .            | X   |  |
| 0                    | 1  | 0  | 0  | 0                 | 0  | 0  | 0  | 40           | X   |  |
| .                    | .  | .  | .  | .                 | .  | .  | .  | .            | X   |  |
| .                    | .  | .  | .  | .                 | .  | .  | .  | .            | X   |  |
| 0                    | 1  | 0  | 1  | 0                 | 0  | 0  | 0  | 50           | X   |  |
| .                    | .  | .  | .  | .                 | .  | .  | .  | .            | X   |  |
| .                    | .  | .  | .  | .                 | .  | .  | .  | .            | X   |  |
| 0                    | 1  | 1  | 0  | 0                 | 0  | 0  | 0  | 60           | X   |  |
| .                    | .  | .  | .  | .                 | .  | .  | .  | .            | X   |  |
| .                    | .  | .  | .  | .                 | .  | .  | .  | .            | X   |  |
| 0                    | 1  | 1  | 1  | 0                 | 0  | 0  | 0  | 70           | X   |  |
| .                    | .  | .  | .  | .                 | .  | .  | .  | .            | X   |  |
| .                    | .  | .  | .  | .                 | .  | .  | .  | .            | X   |  |
| 1                    | 0  | 0  | 0  | 0                 | 0  | 0  | 0  | 80           | 80  | Q Output Active<br>↓<br>Bit Value<br>Counting Sequence |
| .                    | .  | .  | .  | .                 | .  | .  | .  | .            | .   |  |
| .                    | .  | .  | .  | .                 | .  | .  | .  | .            | .   |  |
| 1                    | 0  | 0  | 1  | 0                 | 0  | 0  | 0  | 90           | 90  |  |
| .                    | .  | .  | .  | .                 | .  | .  | .  | .            | .   |  |
| .                    | .  | .  | .  | .                 | .  | .  | .  | .            | .   |  |
| 1                    | 1  | 1  | 1  | 0                 | 0  | 0  | 0  | 150          | 150 |  |
| .                    | .  | .  | .  | .                 | .  | .  | .  | .            | .   |  |
| .                    | .  | .  | .  | .                 | .  | .  | .  | .            | .   |  |
| 1                    | 1  | 1  | 1  | 1                 | 0  | 0  | 1  | 159          | 159 |  |
| 80                   | 40 | 20 | 10 | 8                 | 4  | 2  | 1  |              |     |  |
| Counter #2<br>Binary |    |    |    | Counter #1<br>BCD |    |    |    |              |     |  |

X = No Output (Always Low)

# MC14569B

**Table 4 Mode Controls** (CTL<sub>1</sub> = Low, CTL<sub>2</sub> = High, Cascade Feedback = High)

| Preset Values     |                |                |                |                      |                |                |                | Divide Ratio |     | Comments                                |                   |
|-------------------|----------------|----------------|----------------|----------------------|----------------|----------------|----------------|--------------|-----|---|-------------------|
| P7                | P6             | P5             | P4             | P3                   | P2             | P1             | P0             | Zero Detect  | Q   |   |                   |
| 0                 | 0              | 0              | 0              | 0                    | 0              | 0              | 0              | 160          | 160 | Max Count<br>Illegal State<br>Min Count |                   |
| 0                 | 0              | 0              | 0              | 0                    | 0              | 0              | 1              | X            | X   |   |                   |
| 0                 | 0              | 0              | 0              | 0                    | 0              | 1              | 0              | 2            | X   |   |                   |
| 0                 | 0              | 0              | 0              | 0                    | 0              | 1              | 1              | 3            | X   |   |                   |
| .                 | .              | .              | .              | .                    | .              | .              | .              | .            | X   |   |                   |
| .                 | .              | .              | .              | .                    | .              | .              | .              | .            | X   |   |                   |
| 0                 | 0              | 0              | 0              | 1                    | 1              | 1              | 1              | 15           | X   |   |                   |
| 0                 | 0              | 0              | 1              | 0                    | 0              | 0              | 0              | 16           | X   |   |                   |
| .                 | .              | .              | .              | .                    | .              | .              | .              | .            | X   |   |                   |
| .                 | .              | .              | .              | .                    | .              | .              | .              | .            | X   |   |                   |
| 0                 | 0              | 0              | 1              | 1                    | 1              | 1              | 1              | 31           | X   |   |                   |
| 0                 | 0              | 1              | 0              | 0                    | 0              | 0              | 0              | 32           | X   |   |                   |
| .                 | .              | .              | .              | .                    | .              | .              | .              | .            | X   |   |                   |
| .                 | .              | .              | .              | .                    | .              | .              | .              | .            | X   |   |                   |
| 0                 | 0              | 1              | 1              | 0                    | 0              | 0              | 0              | 48           | X   |   |                   |
| .                 | .              | .              | .              | .                    | .              | .              | .              | .            | .   |   |                   |
| .                 | .              | .              | .              | .                    | .              | .              | .              | .            | .   |   |                   |
| 0                 | 1              | 0              | 0              | 0                    | 0              | 0              | 0              | 64           | X   |   |                   |
| .                 | .              | .              | .              | .                    | .              | .              | .              | .            | .   |   |                   |
| .                 | .              | .              | .              | .                    | .              | .              | .              | .            | .   |   |                   |
| 0                 | 1              | 0              | 1              | 0                    | 0              | 0              | 0              | 80           | X   |   |                   |
| .                 | .              | .              | .              | .                    | .              | .              | .              | .            | .   |   |                   |
| .                 | .              | .              | .              | .                    | .              | .              | .              | .            | .   |   |                   |
| 0                 | 1              | 1              | 1              | 0                    | 0              | 0              | 0              | 112          | X   |   |                   |
| .                 | .              | .              | .              | .                    | .              | .              | .              | .            | .   |   |                   |
| .                 | .              | .              | .              | .                    | .              | .              | .              | .            | .   |   |                   |
| 1                 | 0              | 0              | 0              | 0                    | 0              | 0              | 0              | 128          | 128 | Q Output Active<br>↓                    |                   |
| .                 | .              | .              | .              | .                    | .              | .              | .              | .            | .   |   |                   |
| .                 | .              | .              | .              | .                    | .              | .              | .              | .            | .   |   |                   |
| 1                 | 0              | 0              | 1              | 0                    | 0              | 0              | 0              | 144          | 144 |   |                   |
| .                 | .              | .              | .              | .                    | .              | .              | .              | .            | .   |   |                   |
| .                 | .              | .              | .              | .                    | .              | .              | .              | .            | .   |   |                   |
| 1                 | 0              | 0              | 1              | 1                    | 1              | 1              | 1              | 159          | 159 |   |                   |
| 2 <sup>7</sup>    | 2 <sup>6</sup> | 2 <sup>5</sup> | 2 <sup>4</sup> | 2 <sup>3</sup>       | 2 <sup>2</sup> | 2 <sup>1</sup> | 2 <sup>0</sup> |              |     |   | Bit Value         |
| 128               | 64             | 32             | 16             | 8                    | 4              | 2              | 1              |              |     |   | Counting Sequence |
| Counter #2<br>BCD |                |                |                | Counter #1<br>Binary |                |                |                |              |     |   |                   |

X = No Output (Always Low)



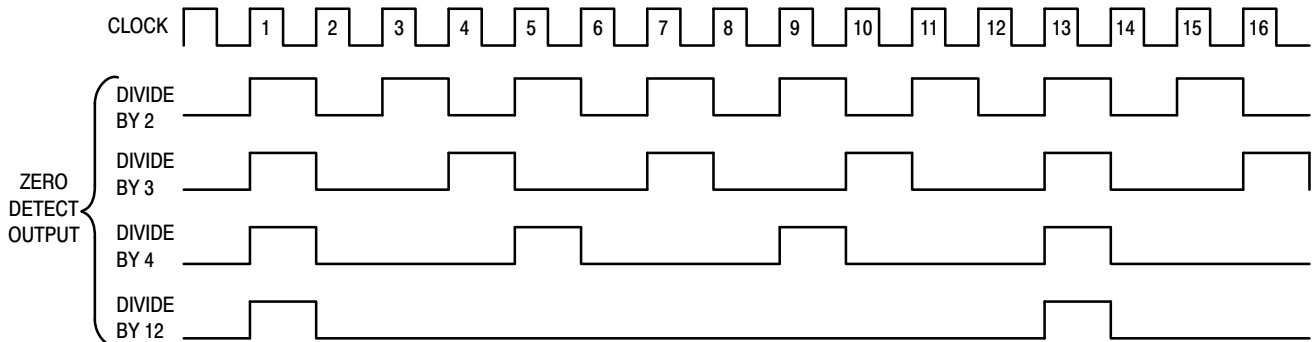
# MC14569B

**Table 5 Mode Controls** (CTL<sub>1</sub> = High, CTL<sub>2</sub> = High, Cascade Feedback = High)

| Preset Values     |    |    |    |                   |    |    |    | Divide Ratio |     | Comments                                |
|-------------------|----|----|----|-------------------|----|----|----|--------------|-----|---|
| P7                | P6 | P5 | P4 | P3                | P2 | P1 | P0 | Zero Detect  | Q   |   |
| 0                 | 0  | 0  | 0  | 0                 | 0  | 0  | 0  | 100          | 100 | Max Count<br>illegal state<br>Min Count |
| 0                 | 0  | 0  | 0  | 0                 | 0  | 0  | 1  | X            | X   |   |
| 0                 | 0  | 0  | 0  | 0                 | 0  | 1  | 0  | 2            | X   |   |
| 0                 | 0  | 0  | 0  | 0                 | 0  | 1  | 1  | 3            | X   |   |
| •                 | •  | •  | •  | •                 | •  | •  | •  | •            | X   |   |
| •                 | •  | •  | •  | •                 | •  | •  | •  | •            | X   |   |
| •                 | •  | •  | •  | •                 | •  | •  | •  | •            | X   |   |
| 0                 | 0  | 0  | 0  | 1                 | 0  | 0  | 1  | 9            | X   |   |
| 0                 | 0  | 0  | 1  | 0                 | 0  | 0  | 0  | 10           | X   |   |
| •                 | •  | •  | •  | •                 | •  | •  | •  | •            | X   |   |
| •                 | •  | •  | •  | •                 | •  | •  | •  | •            | X   |   |
| •                 | •  | •  | •  | •                 | •  | •  | •  | •            | X   |   |
| 0                 | 0  | 1  | 1  | 0                 | 0  | 0  | 0  | 30           | X   |   |
| •                 | •  | •  | •  | •                 | •  | •  | •  | •            | X   |   |
| •                 | •  | •  | •  | •                 | •  | •  | •  | •            | X   |   |
| 0                 | 1  | 0  | 0  | 0                 | 0  | 0  | 0  | 40           | X   |   |
| •                 | •  | •  | •  | •                 | •  | •  | •  | •            | X   |   |
| •                 | •  | •  | •  | •                 | •  | •  | •  | •            | X   |   |
| 0                 | 1  | 0  | 1  | 0                 | 0  | 0  | 0  | 50           | X   |   |
| •                 | •  | •  | •  | •                 | •  | •  | •  | •            | X   |   |
| •                 | •  | •  | •  | •                 | •  | •  | •  | •            | X   |   |
| 0                 | 1  | 1  | 1  | 0                 | 0  | 0  | 0  | 70           | X   |   |
| •                 | •  | •  | •  | •                 | •  | •  | •  | •            | X   |   |
| •                 | •  | •  | •  | •                 | •  | •  | •  | •            | X   |   |
| 1                 | 0  | 0  | 0  | 0                 | 0  | 0  | 0  | 80           | 80  | Q Output Active<br>↓                    |
| •                 | •  | •  | •  | •                 | •  | •  | •  | •            | •   |   |
| •                 | •  | •  | •  | •                 | •  | •  | •  | •            | •   |   |
| •                 | •  | •  | •  | •                 | •  | •  | •  | •            | •   |   |
| 1                 | 0  | 0  | 1  | 0                 | 0  | 0  | 0  | 90           | 90  |   |
| •                 | •  | •  | •  | •                 | •  | •  | •  | •            | •   |   |
| •                 | •  | •  | •  | •                 | •  | •  | •  | •            | •   |   |
| •                 | •  | •  | •  | •                 | •  | •  | •  | •            | •   |   |
| 1                 | 0  | 0  | 1  | 1                 | 0  | 0  | 1  | 99           | 99  |   |
| •                 | •  | •  | •  | •                 | •  | •  | •  | •            | •   |   |
| 80                | 40 | 20 | 10 | 8                 | 4  | 2  | 1  |              |     | Bit Value                               |
| Counter #2<br>BCD |    |    |    | Counter #1<br>BCD |    |    |    |              |     | Counting<br>Sequence                    |

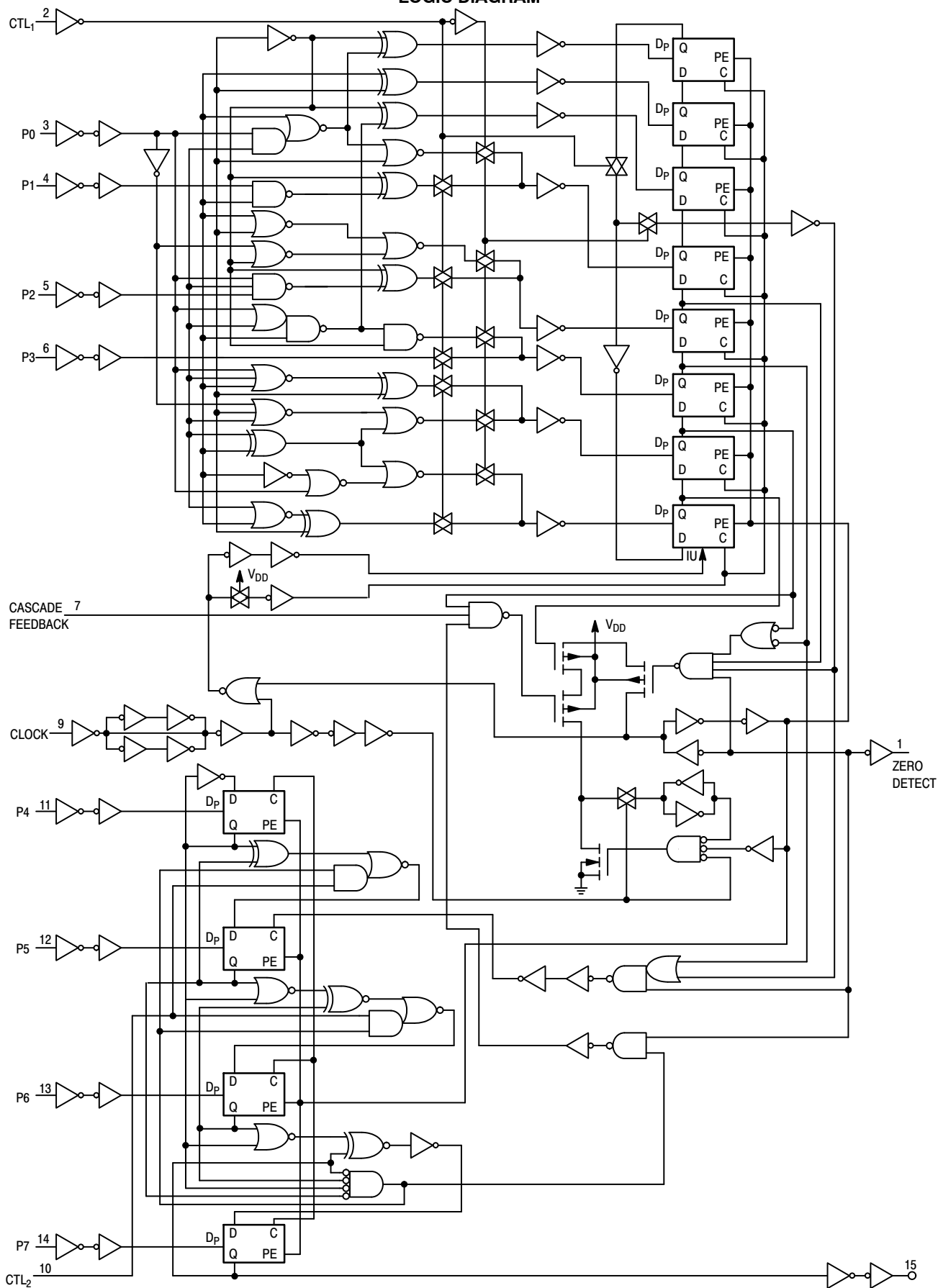
X = No Output (Always Low)

## TIMING DIAGRAM MC14569B



# MC14569B

## LOGIC DIAGRAM



# MC14569B

## TYPICAL APPLICATIONS

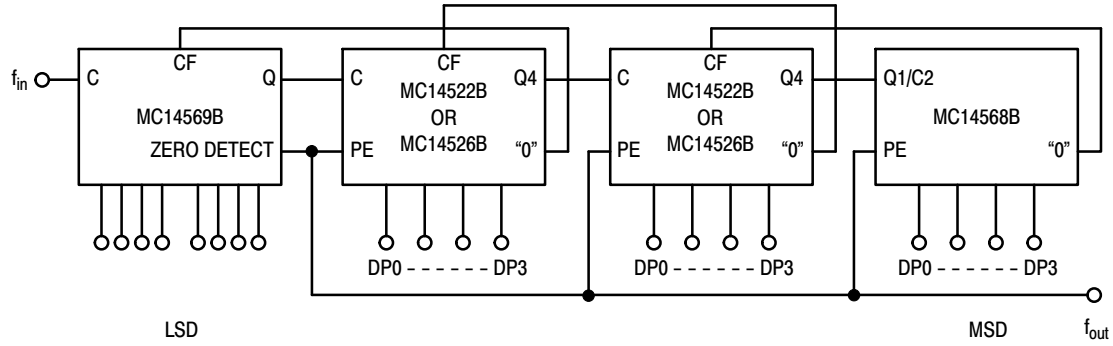
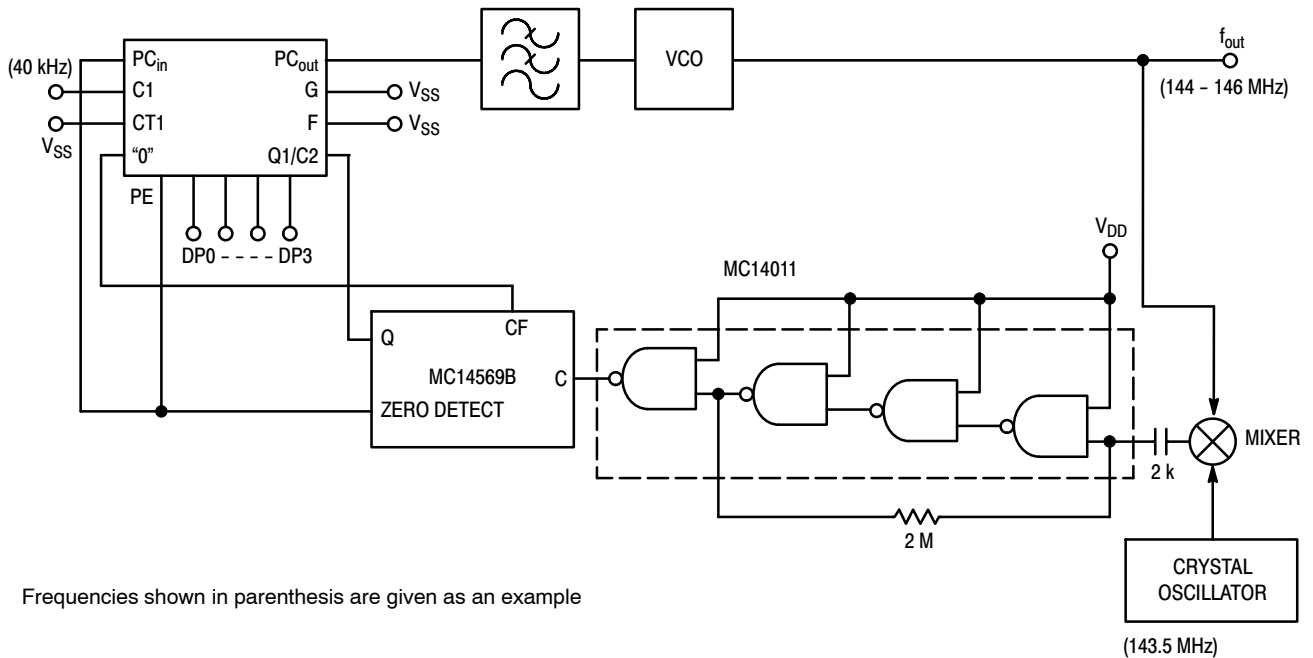


Figure 3. Cascading MC14568B and MC14522B or MC14526B with MC14569B



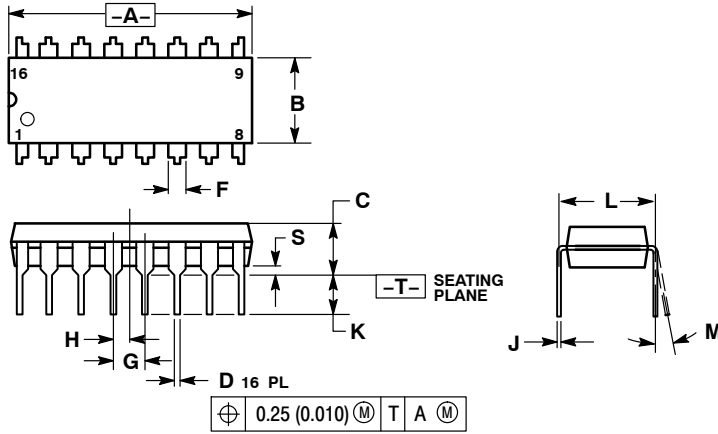
Frequencies shown in parenthesis are given as an example

Figure 4. Frequency Synthesizer with MC14568B and MC14569B Using a Mixer (Channel Spacing 10 kHz)

# MC14569B

## PACKAGE DIMENSIONS

PDIP-16  
P SUFFIX  
PLASTIC DIP PACKAGE  
CASE 648-08  
ISSUE T



NOTES:

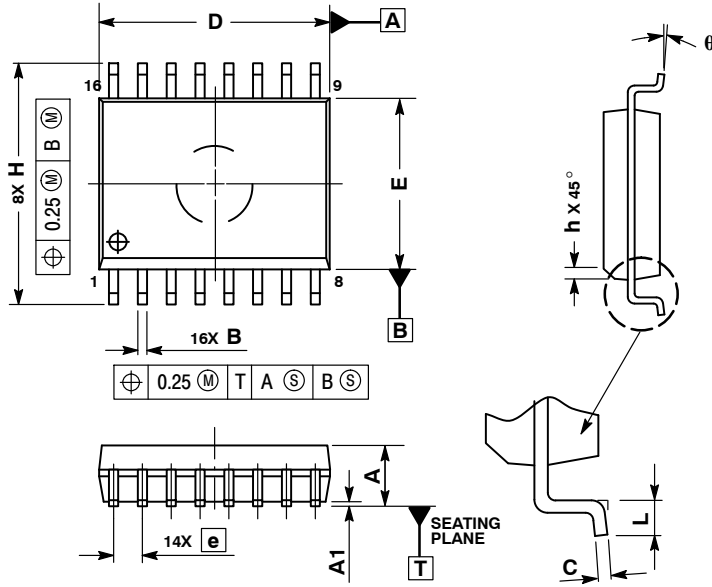
1. DIMENSIONING AND TOLERANCING PER ANSI Y14.5M, 1982.
2. CONTROLLING DIMENSION: INCH.
3. DIMENSION L TO CENTER OF LEADS WHEN FORMED PARALLEL.
4. DIMENSION B DOES NOT INCLUDE MOLD FLASH.
5. ROUNDED CORNERS OPTIONAL.

| DIM | INCHES    |       | MILLIMETERS |       |
|-----|-----------|-------|-------------|-------|
|     | MIN       | MAX   | MIN         | MAX   |
| A   | 0.740     | 0.770 | 18.80       | 19.55 |
| B   | 0.250     | 0.270 | 6.35        | 6.85  |
| C   | 0.145     | 0.175 | 3.69        | 4.44  |
| D   | 0.015     | 0.021 | 0.39        | 0.53  |
| F   | 0.040     | 0.70  | 1.02        | 1.77  |
| G   | 0.100 BSC |       | 2.54 BSC    |       |
| H   | 0.050 BSC |       | 1.27 BSC    |       |
| J   | 0.008     | 0.015 | 0.21        | 0.38  |
| K   | 0.110     | 0.130 | 2.80        | 3.30  |
| L   | 0.295     | 0.305 | 7.50        | 7.74  |
| M   | 0°        | 10°   | 0°          | 10°   |
| S   | 0.020     | 0.040 | 0.51        | 1.01  |

# MC14569B

## PACKAGE DIMENSIONS

SOIC-16 WB  
DW SUFFIX  
PLASTIC SOIC PACKAGE  
CASE 751G-03  
ISSUE C



### NOTES:

1. DIMENSIONS ARE IN MILLIMETERS.
2. INTERPRET DIMENSIONS AND TOLERANCES PER ASME Y14.5M, 1994.
3. DIMENSIONS D AND E DO NOT INCLUDE MOLD PROTRUSION.
4. MAXIMUM MOLD PROTRUSION 0.15 PER SIDE.
5. DIMENSION B DOES NOT INCLUDE DAMBAR PROTRUSION. ALLOWABLE DAMBAR PROTRUSION SHALL BE 0.13 TOTAL IN EXCESS OF THE B DIMENSION AT MAXIMUM MATERIAL CONDITION.

| DIM | MILLIMETERS |       |
|-----|-------------|-------|
|     | MIN         | MAX   |
| A   | 2.35        | 2.65  |
| A1  | 0.10        | 0.25  |
| B   | 0.35        | 0.49  |
| C   | 0.23        | 0.32  |
| D   | 10.15       | 10.45 |
| E   | 7.40        | 7.60  |
| e   | 1.27 BSC    |       |
| H   | 10.05       | 10.55 |
| h   | 0.25        | 0.75  |
| L   | 0.50        | 0.90  |
| q   | 0°          | 7°    |

ON Semiconductor and are registered trademarks of Semiconductor Components Industries, LLC (SCILLC). SCILLC reserves the right to make changes without further notice to any products herein. SCILLC makes no warranty, representation or guarantee regarding the suitability of its products for any particular purpose, nor does SCILLC assume any liability arising out of the application or use of any product or circuit, and specifically disclaims any and all liability, including without limitation special, consequential or incidental damages. "Typical" parameters which may be provided in SCILLC data sheets and/or specifications can and do vary in different applications and actual performance may vary over time. All operating parameters, including "Typicals" must be validated for each customer application by customer's technical experts. SCILLC does not convey any license under its patent rights nor the rights of others. SCILLC products are not designed, intended, or authorized for use as components in systems intended for surgical implant into the body, or other applications intended to support or sustain life, or for any other application in which the failure of the SCILLC product could create a situation where personal injury or death may occur. Should Buyer purchase or use SCILLC products for any such unintended or unauthorized application, Buyer shall indemnify and hold SCILLC and its officers, employees, subsidiaries, affiliates, and distributors harmless against all claims, costs, damages, and expenses, and reasonable attorney fees arising out of, directly or indirectly, any claim of personal injury or death associated with such unintended or unauthorized use, even if such claim alleges that SCILLC was negligent regarding the design or manufacture of the part. SCILLC is an Equal Opportunity/Affirmative Action Employer. This literature is subject to all applicable copyright laws and is not for resale in any manner.

### PUBLICATION ORDERING INFORMATION

**LITERATURE FULFILLMENT:**  
Literature Distribution Center for ON Semiconductor  
P.O. Box 5163, Denver, Colorado 80217 USA  
**Phone:** 303-675-2175 or 800-344-3860 Toll Free USA/Canada  
**Fax:** 303-675-2176 or 800-344-3867 Toll Free USA/Canada  
**Email:** orderlit@onsemi.com

**N. American Technical Support:** 800-282-9855 Toll Free  
USA/Canada  
**Europe, Middle East and Africa Technical Support:**  
Phone: 421 33 790 2910  
**Japan Customer Focus Center**  
Phone: 81-3-5773-3850

**ON Semiconductor Website:** [www.onsemi.com](http://www.onsemi.com)  
**Order Literature:** <http://www.onsemi.com/orderlit>  
For additional information, please contact your local  
Sales Representative



Компания «ЭлектроПласт» предлагает заключение долгосрочных отношений при поставках импортных электронных компонентов на взаимовыгодных условиях!

Наши преимущества:

- Оперативные поставки широкого спектра электронных компонентов отечественного и импортного производства напрямую от производителей и с крупнейших мировых складов;
- Поставка более 17-ти миллионов наименований электронных компонентов;
- Поставка сложных, дефицитных, либо снятых с производства позиций;
- Оперативные сроки поставки под заказ (от 5 рабочих дней);
- Экспресс доставка в любую точку России;
- Техническая поддержка проекта, помощь в подборе аналогов, поставка прототипов;
- Система менеджмента качества сертифицирована по Международному стандарту ISO 9001;
- Лицензия ФСБ на осуществление работ с использованием сведений, составляющих государственную тайну;
- Поставка специализированных компонентов (Xilinx, Altera, Analog Devices, Intersil, Interpoint, Microsemi, Aeroflex, Peregrine, Syfer, Eurofarad, Texas Instrument, Miteq, Cobham, E2V, MA-COM, Hittite, Mini-Circuits, General Dynamics и др.);

Помимо этого, одним из направлений компании «ЭлектроПласт» является направление «Источники питания». Мы предлагаем Вам помощь Конструкторского отдела:

- Подбор оптимального решения, техническое обоснование при выборе компонента;
- Подбор аналогов;
- Консультации по применению компонента;
- Поставка образцов и прототипов;
- Техническая поддержка проекта;
- Защита от снятия компонента с производства.



#### Как с нами связаться

**Телефон:** 8 (812) 309 58 32 (многоканальный)

**Факс:** 8 (812) 320-02-42

**Электронная почта:** [org@eplast1.ru](mailto:org@eplast1.ru)

**Адрес:** 198099, г. Санкт-Петербург, ул. Калинина, дом 2, корпус 4, литера А.