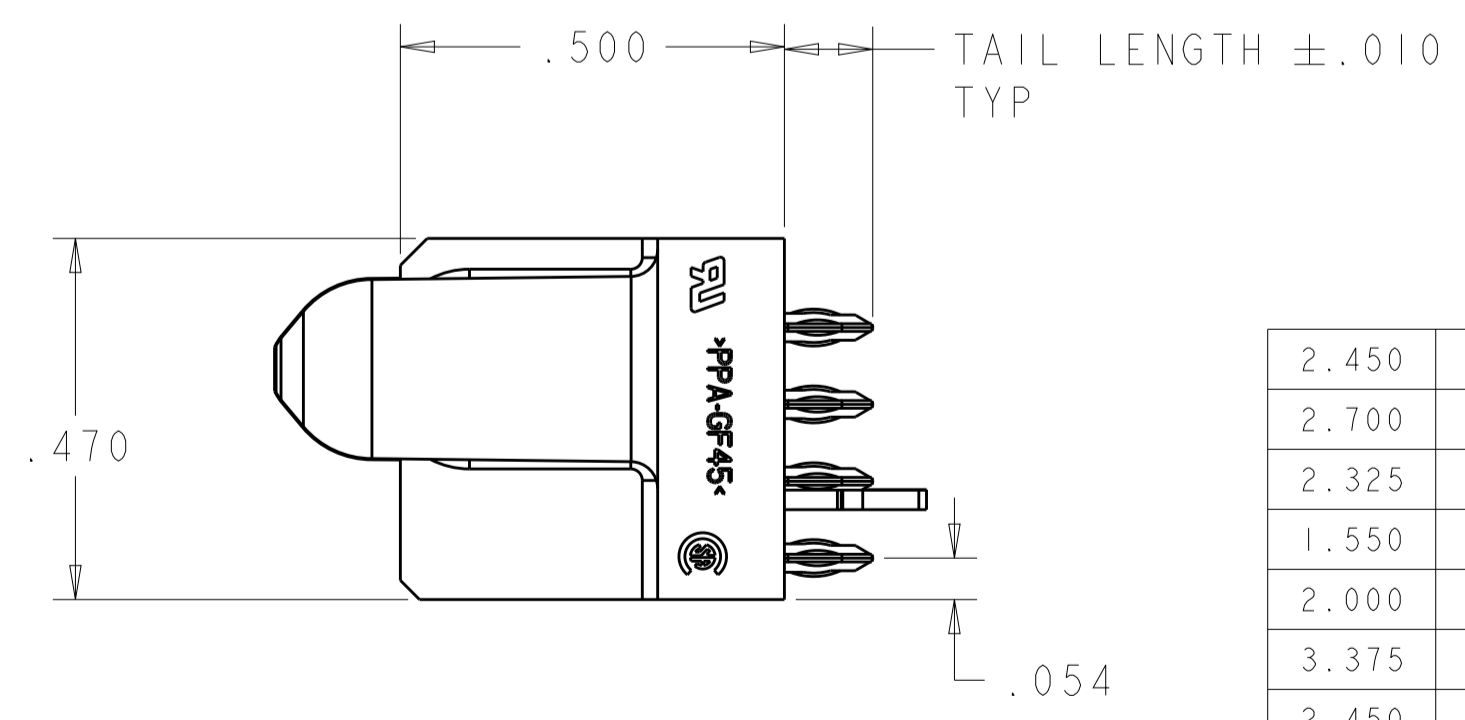
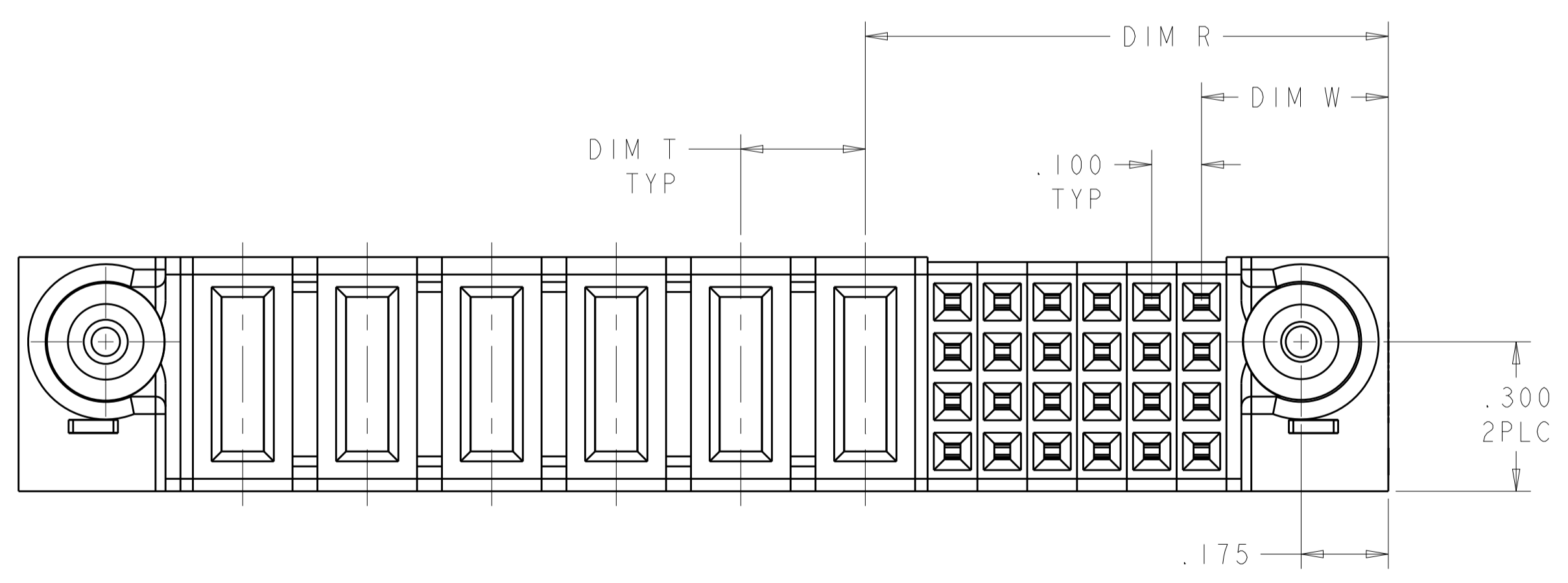
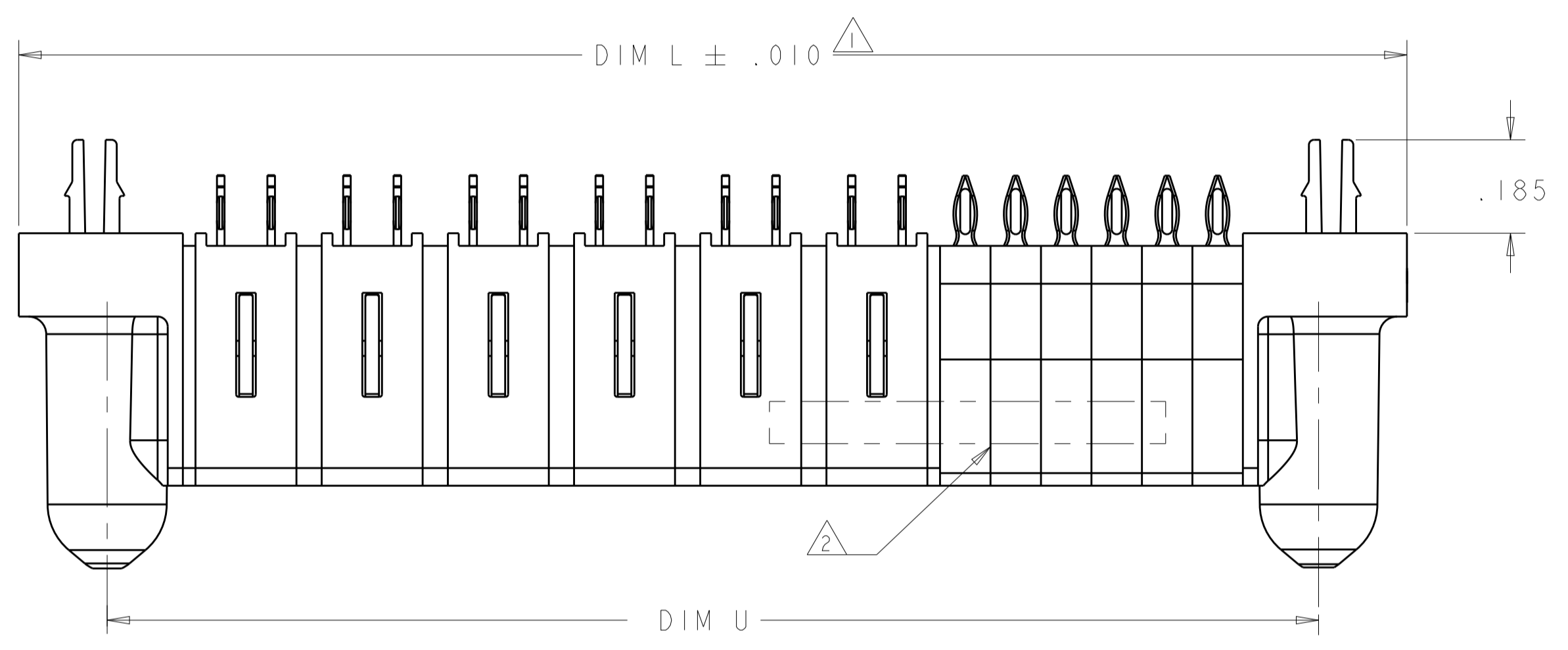
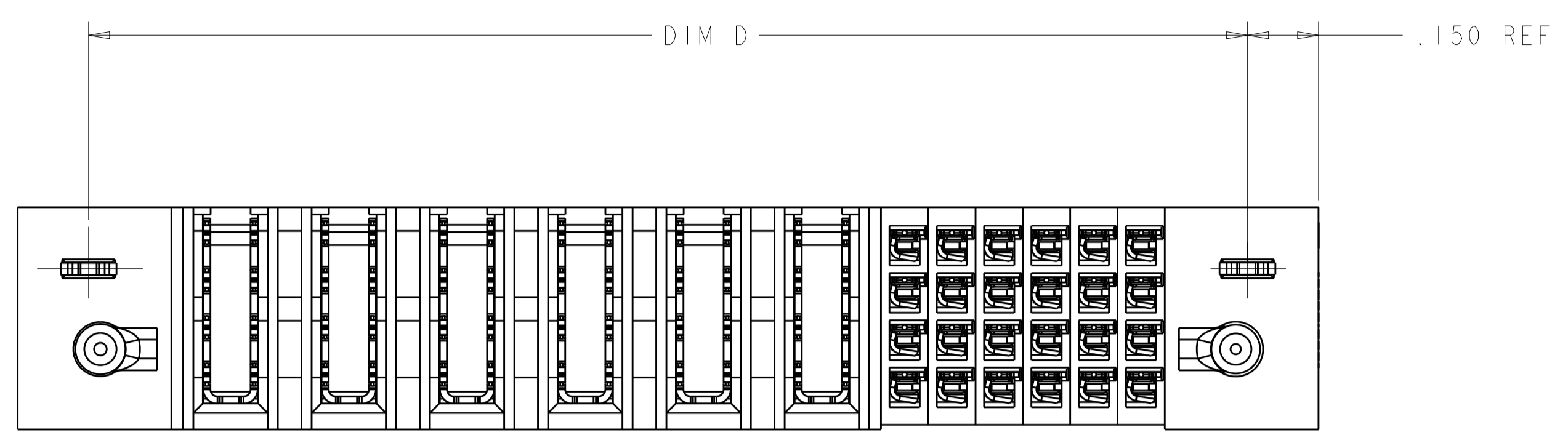


LOC		DIST		REVISIONS			
P	LTN	DESCRIPTION	DATE	DMN	APVD		
H2		ADDED THE DASH NUMBER -11	29APR2011	ML	SZ		
H3		ADDED NEW DASH NUMBER -12	05JUN2013	CZ	SZ		
H4		REV PER ECO-17-013303	22AUG2017	WY	SZ		



- 1 THE MAXIMUM OVERALL LENGTH OF A PART IS 8.00.
- 2 PART NUMBER, AND DATE CODE MARKED IN AREA SHOWN. MARKING ON BOTH SIDES PERMITTED FOR PARTS UNDER 2.00 LONG.
- 3 MATERIAL:  
 HOUSING - GLASS FILLED HIGH TEMP THERMO PLASTIC, UL94 V-0, BLACK  
 SIGNAL CONTACT - HIGH CONDUCTIVITY COPPER ALLOY  
 POWER CONTACT - HIGH CONDUCTIVITY COPPER ALLOY
- 4 CONTACT PLATING: NOBLE METAL PLATING ON CONTACT FUNCTIONAL AREA OF POWER AND SIGNAL CONTACTS
- 5 MECHANICAL CONNECTOR KEEP OUT ZONE.
- 6 DATUM AND BASIC DIMENSIONS ESTABLISHED BY CUSTOMER.
- 7 PCB - ALL HOLE DIAMETERS ARE FINISHED HOLE SIZES.
- 8 PCB - .0453±.0010 DRILLED HOLES PLATED WITH .0003 MIN Sn OVER .001 TO .003 Cu PLATING TO ACHIEVE A .040 HOLE.

2.450	2.400	.250	1.050	.375	2.750	24S + 6P	1-6450551-3
2.700	2.650	.250	1.050	.375	3.000	24S + 7P	1-6450551-2
2.325	2.275	.250	.925	.425	2.625	16S + 6P	1-6450551-1
1.550	1.500	.200	.825	.375	1.850	16S + 4P	1-6450551-0
2.000	1.950	.250	.850	.375	2.300	16S + 5P	6450551-9
3.375	3.325	.200	1.050	.375	3.675	24S + 12HDP	6450551-8
2.450	2.400	.250	1.050	.375	2.750	24S + 6P	6450551-7
3.000	2.950	.200	1.050	.375	3.300	24S + 10HDP	6450551-6
4.650	4.600	.250	1.250	.375	4.950	32S + 14P	6450551-5
3.375	3.325	.200	1.050	.375	3.675	24S + 12HDP	6450551-4
2.450	2.400	.250	1.050	.375	2.750	24S + 6P	6450551-1
D	U	T	R	W	L	DESCRIPTION	PART NUMBER

THIS DRAWING IS A CONTROLLED DOCUMENT. DWN: LESSON.LL 02AUG2007  
 CHK: SUNNY.ZHAO 02AUG2007

APVD: STEVEN.YAO

NAME: STEVEN.YAO

PRODUCT SPEC: 108-1973

APPLICATION SPEC: 114-13038

WEIGHT: -

CUSTOMER DRAWING

SCALE: 2:1

SHEET 1 OF 8

REV: H4

STE TE Connectivity

VERTICAL RECEPTACLE ASSEMBLY WITH GUIDES, PRESS-FIT, MULTI-BEAM XL

SIZE: A1

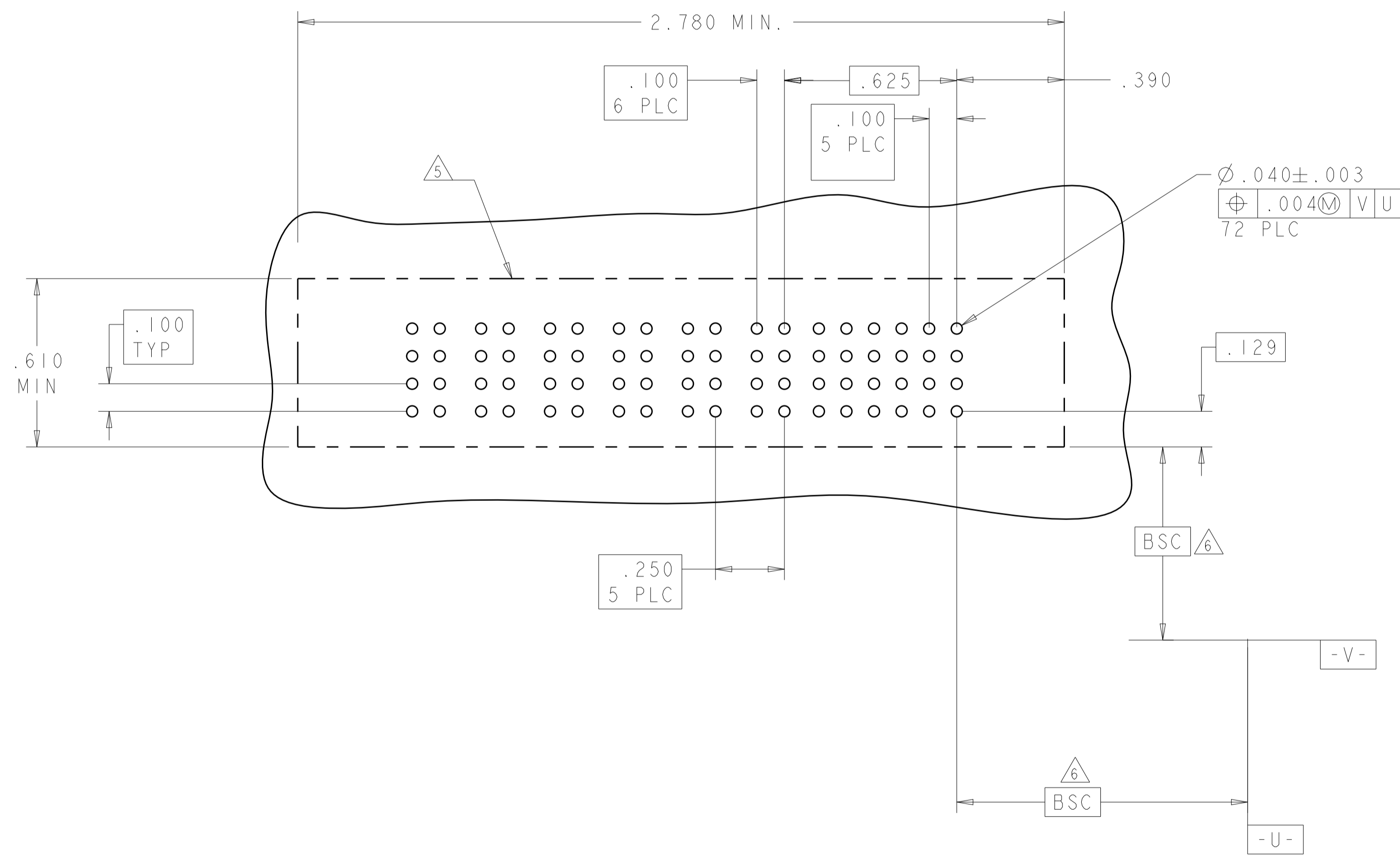
CAGE CODE: 100779

DRAWING NO: 6450551

LOC		DIST		REVISIONS			
P	LTN	DESCRIPTION	DATE	OWN	APVD		
-	-	SEE SHEET 1	-	-	-		

PART NUMBER	ROWS	POWER						SIGNAL					
		P6	P5	P4	P3	P2	P1	6	5	4	3	2	1
6450551-1	D C B A	GS	GS	GS	GP	GP	GP	AP	AP	AP	AP	AP	AP
		GS	GS	GS	GP	GP	GP	AP	AP	AP	AP	AP	AP
		GS	GS	GS	GP	GP	GP	AP	AP	AP	AP	AP	AP
		GS	GS	GS	GP	GP	GP	AP	AP	AP	AP	AP	AP
24S + 6P													

PART NUMBER	ROWS	POWER						SIGNAL					
		P6	P5	P4	P3	P2	P1	6	5	4	3	2	1
1-6450551-3	D C B A	GS	GS	GS	GP	GP	GP	AP	AP	AP	AP	AP	AP
		GS	GS	GS	GP	GP	GP	AP	AP	AP	AP	AP	AP
		GS	GS	GS	GP	GP	GP	AP	AP	AP	AP	AP	AP
		GS	GS	GS	GP	GP	GP	AP	AP	AP	AP	AP	AP
24S + 6P													

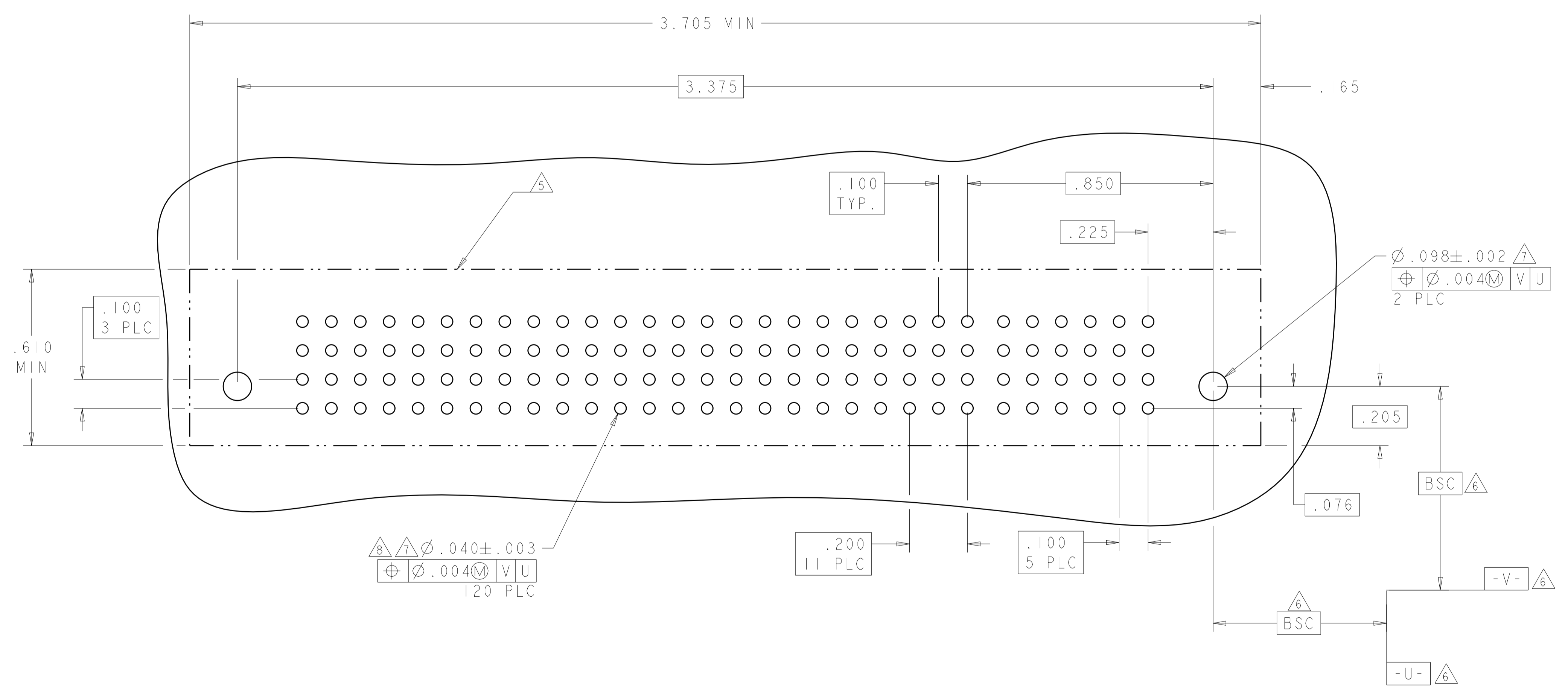


DESCRIPTION	CODE
SIGNAL CONTACT, .135 TAIL LENGTH	AP
POWER CONTACT, STD .135 TAIL LENGTH	GS
POWER CONTACT, MFBL .135 TAIL LENGTH	GP

THIS DRAWING IS A CONTROLLED DOCUMENT.		OWN: LESSON, L.L. 02AUG2007	TE Connectivity
DIMENSIONS: INCHES		CHK: SUNNY, ZHAO 02AUG2007	
TOLERANCES UNLESS OTHERWISE SPECIFIED:		APVD: STEVEN, YAO	NAME: VERTICAL RECEPTACLE ASSEMBLY WITH GUIDES, PRESS-FIT, MULTI-BEAM XL PRODUCT SPEC: 108-1973 APPLICATION SPEC: SIZE: 114-13038 WEIGHT: CUSTOMER DRAWING
0 PLC ±.1		RESTRICTED TO:	
1 PLC ±0.1		A100779C=6450551	
2 PLC ±0.02		SCALE: 2:1 SHEET 2 OF 8 REV: H4	
3 PLC ±0.005			
4 PLC ±0.0005			
ANGLES ±.1			
MATERIAL:			
FINISH:			

LOC		DIST		REVISIONS			
P	LTN	DESCRIPTION	DATE	DMN	APVD		
-	-	SEE SHEET 1	-	-	-		

PART NUMBER	ROWS	POWER											SIGNAL								
		PI2	PI1	PI0	P9	P8	P7	P6	P5	P4	P3	P2	P1	6	5	4	3	2	1		
6450551-4	D C B A	HD	GS	GS	GS	GS	GS	GS	GP	GP	GP	GP	GP	GP	GP	AP	AP	AP	AP	AP	AP
			GS	GS	GS	GS	GS	GP	GP	GP	GP	GP	GP	GP	GP	AP	AP	AP	AP	AP	AP
			GS	GS	GS	GS	GS	GP	GP	GP	GP	GP	GP	GP	GP	AP	AP	AP	AP	AP	AP
			GS	GS	GS	GS	GS	GP	GP	GP	GP	GP	GP	GP	GP	AP	AP	AP	AP	AP	AP
24S + 12HDP																					



THIS DRAWING IS A CONTROLLED DOCUMENT.

DIMENSIONS: INCHES	TOLERANCES UNLESS OTHERWISE SPECIFIED: 0 PLC ±.1 1 PLC ±0.02 2 PLC ±0.02 3 PLC ±0.005 4 PLC ±0.0005 ANGLES ±.1	OWN: LESSON, L.L. 02AUG2007 CHK: SUNNY, ZHAO 02AUG2007 APVD: STEVEN, YAO	NAME: STEVEN, YAO
MATERIAL: -	FINISH: -	PRODUCT SPEC: 108-1973	APPLICATION SPEC: 114-13038
CUSTOMER DRAWING		WEIGHT: -	SCALE: 2:1

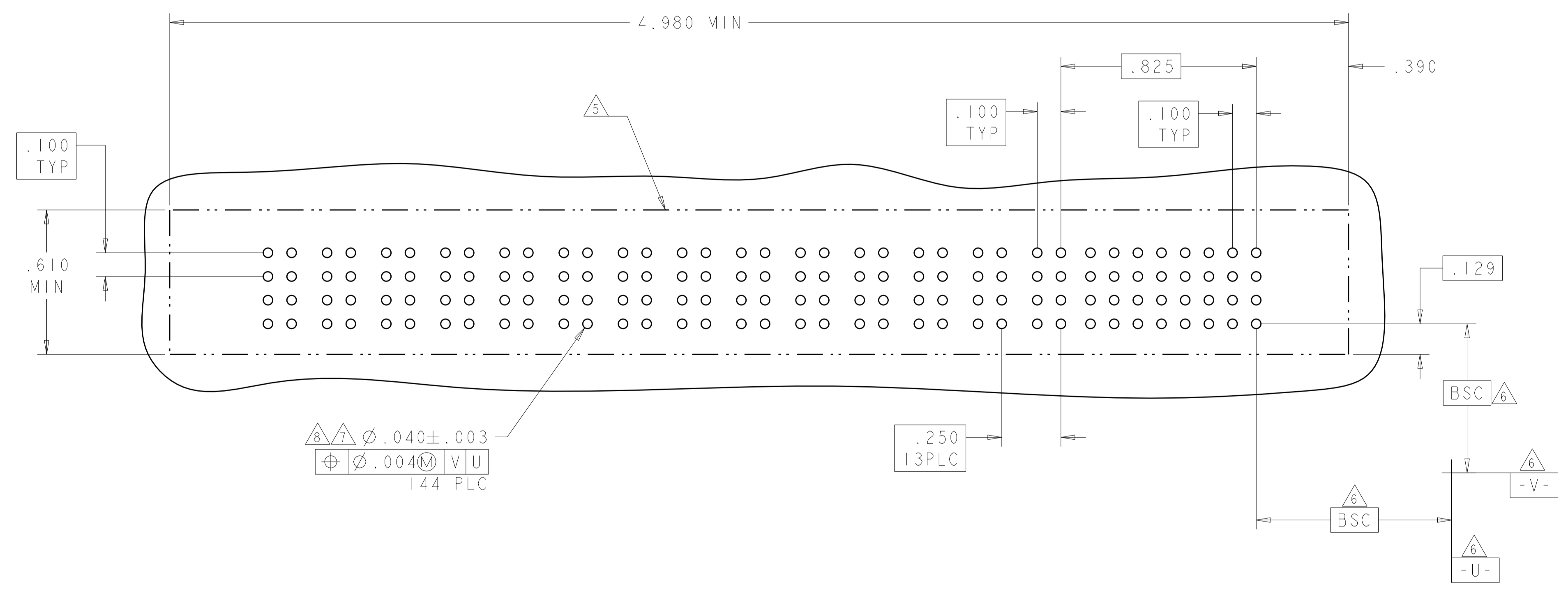
TE Connectivity

VERTICAL RECEPTACLE ASSEMBLY WITH GUIDES, PRESS-FIT, MULTI-BEAM XL

SIZE: A1 CAGE CODE: 100779 DRAWING NO: 6450551 SHEET 3 OF 8 REV: H4

LOC	DIST	REV	DATE	BY	APPV
-	-	-	-	-	-
		REVISIONS			
		DESCRIPTION	DATE	BY	APPV
		SEE SHEET 1	-	-	-

PART NUMBER	ROWS	POWER														SIGNAL													
		P14	P13	P12	P11	P10	P9	P8	P7	P6	P5	P4	P3	P2	P1	8	7	6	5	4	3	2	1						
6450551-5	D C B A	GS	GP	GS	GP	GS	GP	GS	GP	GS	GP	GS	GP	GS	GP	AP	AP	AP	AP	AP	AP	AP	AP						
		GS	GP	GS	GP	GS	GP	GS	GP	GS	GP	GS	GP	GS	GP	AP	AP	AP	AP	AP	AP	AP	AP						
		GS	GP	GS	GP	GS	GP	GS	GP	GS	GP	GS	GP	GS	GP	AP	AP	AP	AP	AP	AP	AP	AP						
		GS	GP	GS	GP	GS	GP	GS	GP	GS	GP	GS	GP	GS	GP	AP	AP	AP	AP	AP	AP	AP	AP						
32S + 14P																													

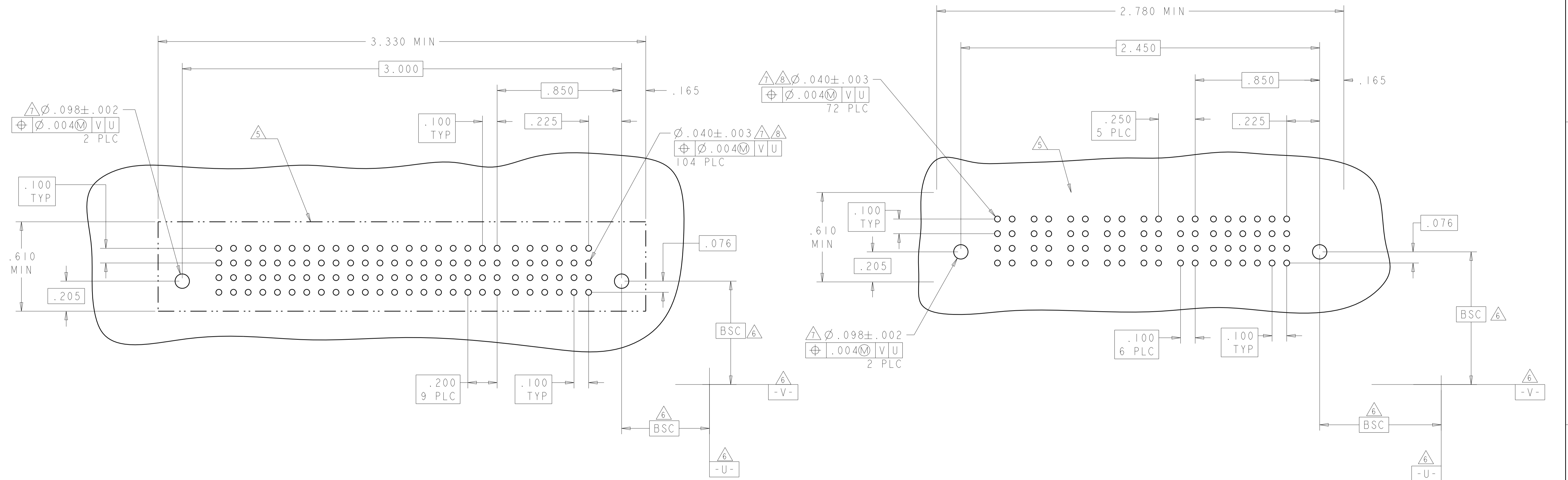


THIS DRAWING IS A CONTROLLED DOCUMENT.		OWN: LESSON.LL 02AUG2007	TE Connectivity
DIMENSIONS: INCHES		CHK: SUNNY.ZHAO 02AUG2007	
TOLERANCES UNLESS OTHERWISE SPECIFIED: 0 PLC ±.1 1 PLC ±0.1 2 PLC ±0.02 3 PLC ±0.005 4 PLC ±0.0005 ANGLES ±.1		APV: STEVEN YAO	NAME: VERTICAL RECEPTACLE ASSEMBLY WITH GUIDES, PRESS-FIT, MULTI-BEAM XL
MATERIAL: -		PRODUCT SPEC: 108-1973	SIZE: A1
FINISH: -		APPLICATION SPEC: 114-13038	CAGE CODE: 6450551
CUSTOMER DRAWING		WEIGHT: -	RESTRICTED TO: -
SCALE: 2:1		SHEET: 4 OF 8	REV: H4

LOC	DIST	REV	DATE	BY	APPV
-	-	1	SEE SHEET 1	-	-

PART NUMBER	ROWS	POWER										SIGNAL							
		P10	P9	P8	P7	P6	P5	P4	P3	P2	P1	6	5	4	3	2	1		
6450551-6	D C B A	GS	GS	GP	GP	GP	GP	GP	GS	GS	GS	AP	AP	AP	AP	AP	AP		
		GS	GS	GP	GP	GP	GP	GP	GS	GS	GS	AP	AP	AP	AP	AP	AP		
		GS	GS	GP	GP	GP	GP	GP	GS	GS	GS	AP	AP	AP	AP	AP	AP		
24S + 10HDP																			

PART NUMBER	ROWS	POWER						SIGNAL					
		P6	P5	P4	P3	P2	P1	6	5	4	3	2	1
6450551-7	D C B A	GP	GP	GS	GS	GS	GS	AP	AP	AP	AP	AP	AP
		GP	GP	GS	GS	GS	GS	AP	AP	AP	AP	AP	AP
		GP	GP	GS	GS	GS	GS	AP	AP	AP	AP	AP	AP
24S + 6P													



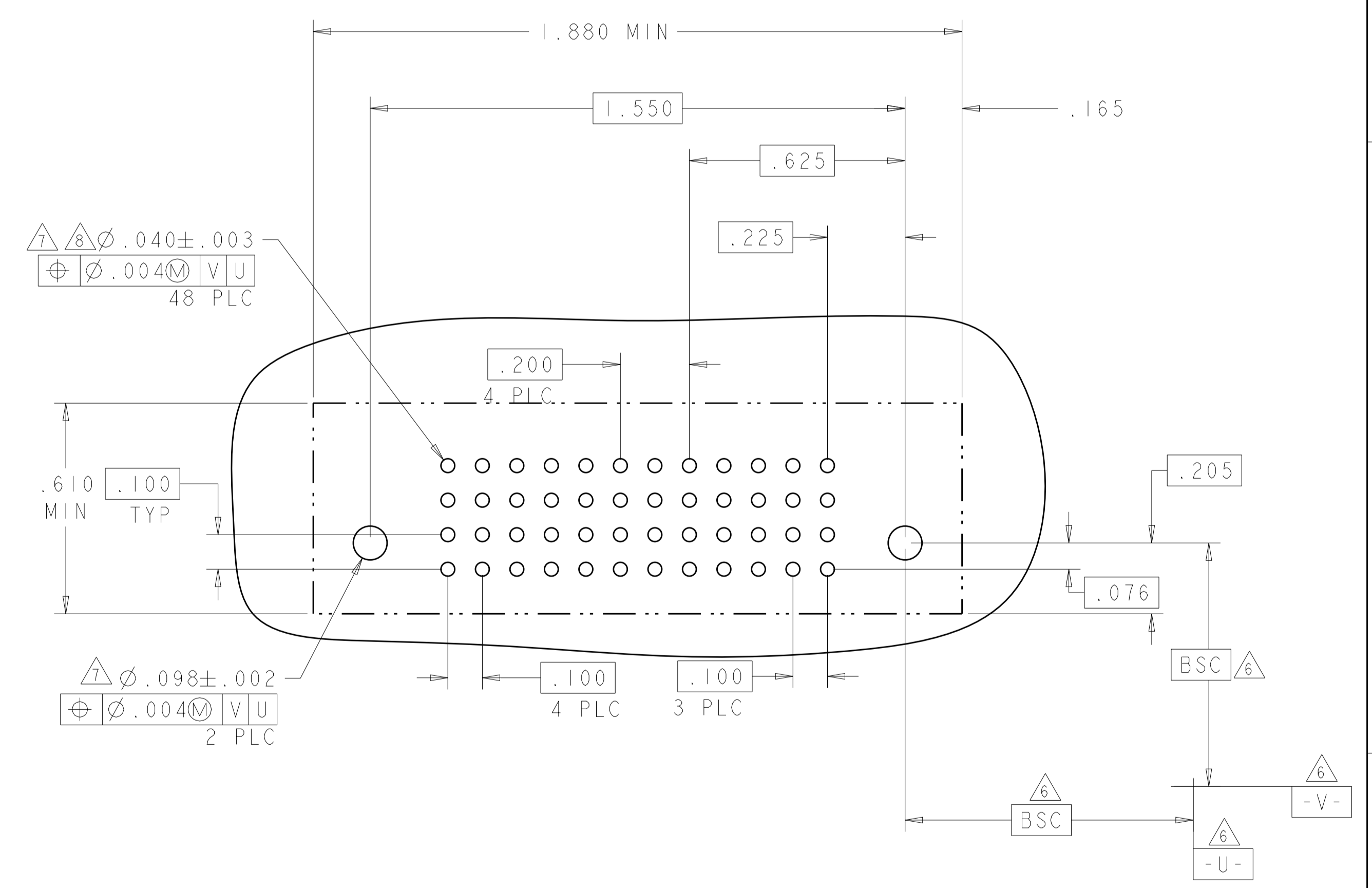
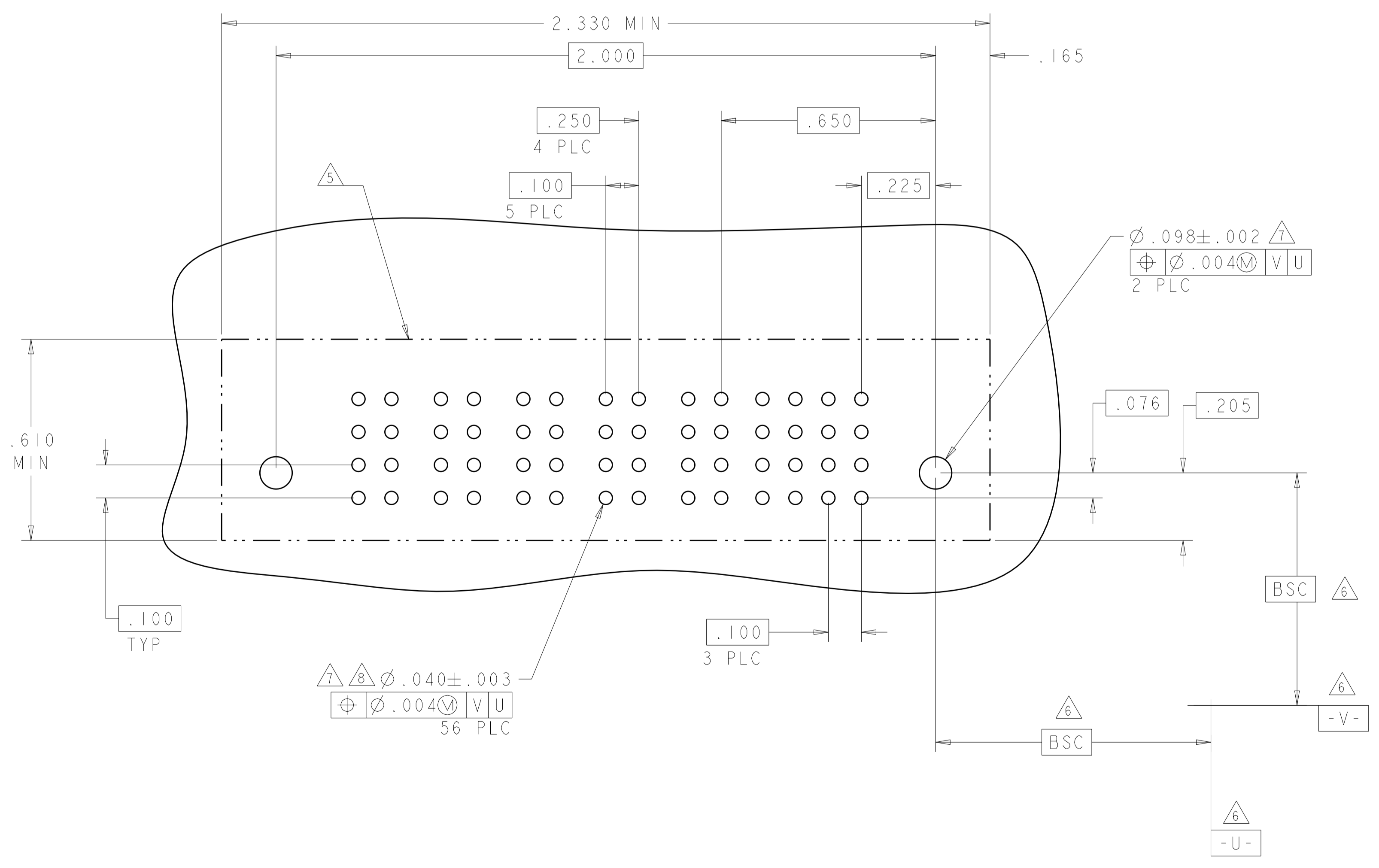
THIS DRAWING IS A CONTROLLED DOCUMENT.		OWN: LESSON.LL 02AUG2007	 TE Connectivity
DIMENSIONS: INCHES		CHK: SUNNY.ZHAO 02AUG2007	
TOLERANCES UNLESS OTHERWISE SPECIFIED:		APV: STEVEN.YAO	NAME: VERTICAL RECEPTACLE ASSEMBLY WITH GUIDES, PRESS-FIT, MULTI-BEAM XL
0 PLC ±.1 1 PLC ±0.02 2 PLC ±0.05 3 PLC ±0.005 4 PLC ±0.0005 ANGLES ±.1		PRODUCT SPEC: 108-1973	SIZE: A1
MATERIAL: -		APPLICATION SPEC: 114-13038	CAGE CODE: -
FINISH: -		WEIGHT: -	DRAWING NO: 6450551
		CUSTOMER DRAWING	SCALE: 2:1 SHEET 5 OF 8 REV: H4



LOC	DIST	REV	DATE	BY	APPV
-	-	1	-	-	-
REVISIONS			DESCRIPTION		
-			SEE SHEET 1		

ASSY PART NUMBER	ROWS	POWER					SIGNAL			
		P5	P4	P3	P2	PI	4	3	2	1
6450551-9	D	GP	GS	GS	GS	GP	AP	AP	AP	AP
	C						AP	AP	AP	AP
	B						AP	AP	AP	AP
	A						AP	AP	AP	AP
16S + 5P		HD		HD						

PART NUMBER	ROWS	POWER				SIGNAL			
		P4	P3	P2	PI	4	3	2	1
1-6450551-0	D	GP	GP	GS	GS	AP	AP	AP	AP
	C					AP	AP	AP	AP
	B					AP	AP	AP	AP
16S + 4P		HD		HD					



THIS DRAWING IS A CONTROLLED DOCUMENT.

OWN: LESSON, L.L. 02AUG2007  
 CHK: SUNNY, ZHAO 02AUG2007  
 APV: STEVEN, YAO

NAME: VERTICAL RECEPTACLE ASSEMBLY WITH GUIDES, PRESS-FIT, MULTI-BEAM XL

PRODUCT SPEC: 108-1973  
 APPLICATION SPEC: 114-13038

SIZE: A1  
 CAGE CODE: 6450551  
 DRAWING NO: 100779

RESTRICTED TO: -

CUSTOMER DRAWING

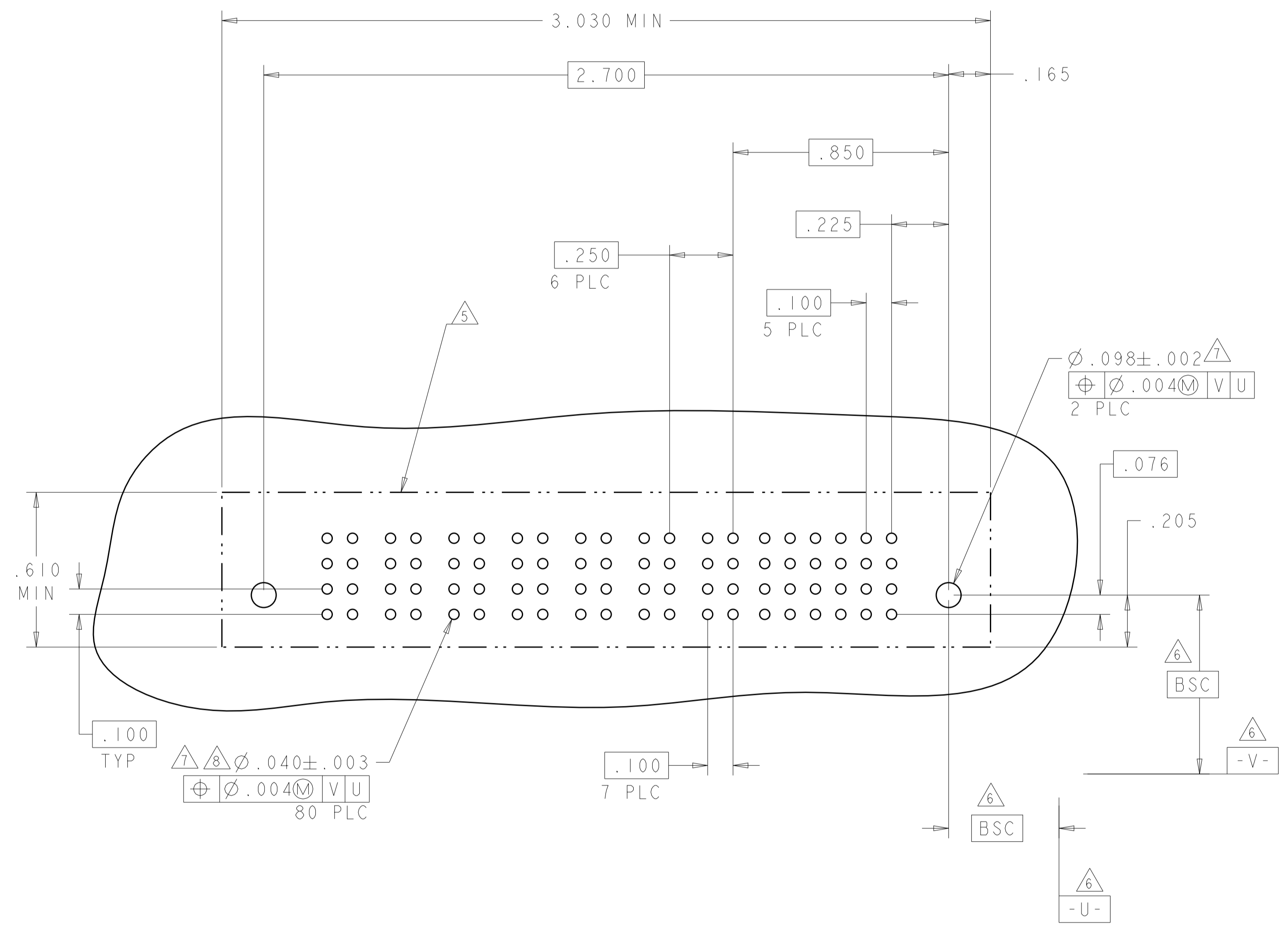
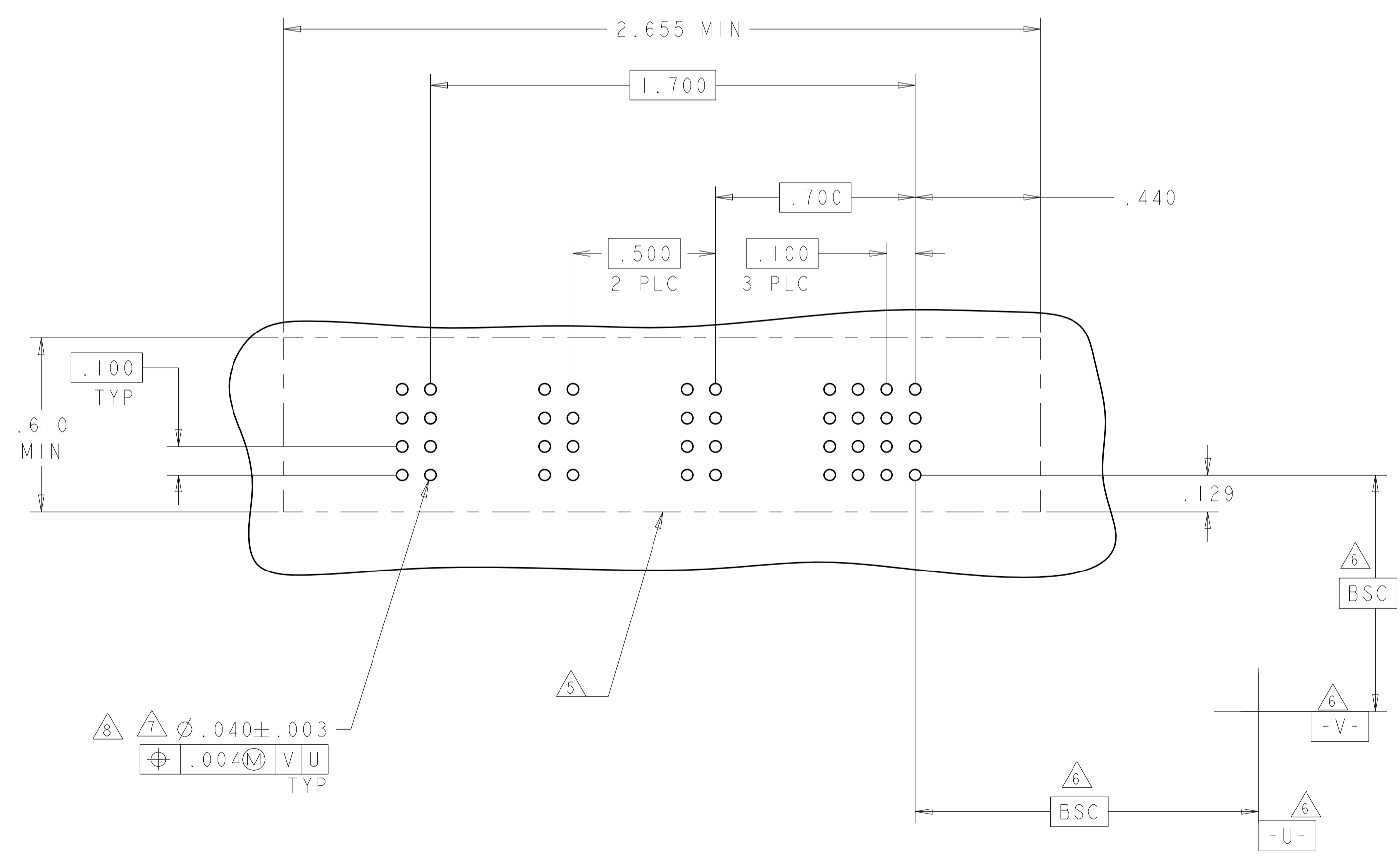
SCALE: 2:1  
 SHEET: 7 OF 8  
 REV: H4

LOC	DIST	REV	DATE	BY	APPV
-	-	-	-	-	-
SEE SHEET 1					

PART NUMBER	ROWS	POWER						SIGNAL				
		P6	P5	P4	P3	P2	PI	4	3	2	1	
1-6450551-1	D C B A	GS	GS	GS	GP	GS	AP	AP	AP	AP	AP	AP
16S + 6P							AP	AP	AP	AP	AP	AP

PART NUMBER	ROWS	POWER							SIGNAL						
		P7	P6	P5	P4	P3	P2	PI	6	5	4	3	2	1	
1-6450551-2	D C B A	GP	GS	GS	GP	GS	GS	GS	AP	AP	AP	AP	AP	AP	AP
24S + 7P									AP	AP	AP	AP	AP	AP	AP

NO CONTACTS LOADED



THIS DRAWING IS A CONTROLLED DOCUMENT.		OWN: LESSON, L.L. 02AUG2007	TE Connectivity												
DIMENSIONS: INCHES		CHK: SUNNY, ZHAO 02AUG2007													
TOLERANCES UNLESS OTHERWISE SPECIFIED:		APV: STEVEN, YAO	NAME: VERTICAL RECEPTACLE ASSEMBLY WITH GUIDES, PRESS-FIT, MULTI-BEAM XL												
<table border="1"> <tr> <td>0 PLC</td> <td>±</td> </tr> <tr> <td>1 PLC</td> <td>±0.1</td> </tr> <tr> <td>2 PLC</td> <td>±0.02</td> </tr> <tr> <td>3 PLC</td> <td>±0.005</td> </tr> <tr> <td>4 PLC</td> <td>±0.0005</td> </tr> <tr> <td>ANGLES</td> <td>±</td> </tr> </table>		0 PLC	±	1 PLC	±0.1	2 PLC	±0.02	3 PLC	±0.005	4 PLC	±0.0005	ANGLES	±	PRODUCT SPEC: 108-1973	SIZE: A1
0 PLC	±														
1 PLC	±0.1														
2 PLC	±0.02														
3 PLC	±0.005														
4 PLC	±0.0005														
ANGLES	±														
MATERIAL: FINISH:		APPLICATION SPEC: 114-13038	CAGE CODE: 6450551												
		WEIGHT:	SCALE: 2:1												
		CUSTOMER DRAWING	SHEET 8 OF 8 REV: H4												



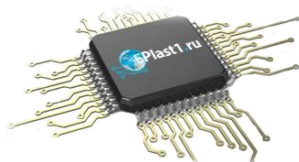
Компания «ЭлектроПласт» предлагает заключение долгосрочных отношений при поставках импортных электронных компонентов на взаимовыгодных условиях!

Наши преимущества:

- Оперативные поставки широкого спектра электронных компонентов отечественного и импортного производства напрямую от производителей и с крупнейших мировых складов;
- Поставка более 17-ти миллионов наименований электронных компонентов;
- Поставка сложных, дефицитных, либо снятых с производства позиций;
- Оперативные сроки поставки под заказ (от 5 рабочих дней);
- Экспресс доставка в любую точку России;
- Техническая поддержка проекта, помощь в подборе аналогов, поставка прототипов;
- Система менеджмента качества сертифицирована по Международному стандарту ISO 9001;
- Лицензия ФСБ на осуществление работ с использованием сведений, составляющих государственную тайну;
- Поставка специализированных компонентов (Xilinx, Altera, Analog Devices, Intersil, Interpoint, Microsemi, Aeroflex, Peregrine, Syfer, Eurofarad, Texas Instrument, Miteq, Cobham, E2V, MA-COM, Hittite, Mini-Circuits, General Dynamics и др.);

Помимо этого, одним из направлений компании «ЭлектроПласт» является направление «Источники питания». Мы предлагаем Вам помощь Конструкторского отдела:

- Подбор оптимального решения, техническое обоснование при выборе компонента;
- Подбор аналогов;
- Консультации по применению компонента;
- Поставка образцов и прототипов;
- Техническая поддержка проекта;
- Защита от снятия компонента с производства.



#### Как с нами связаться

**Телефон:** 8 (812) 309 58 32 (многоканальный)

**Факс:** 8 (812) 320-02-42

**Электронная почта:** [org@eplast1.ru](mailto:org@eplast1.ru)

**Адрес:** 198099, г. Санкт-Петербург, ул. Калинина, дом 2, корпус 4, литера А.