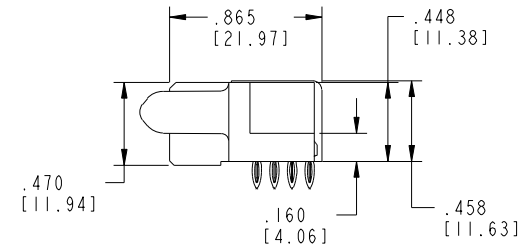
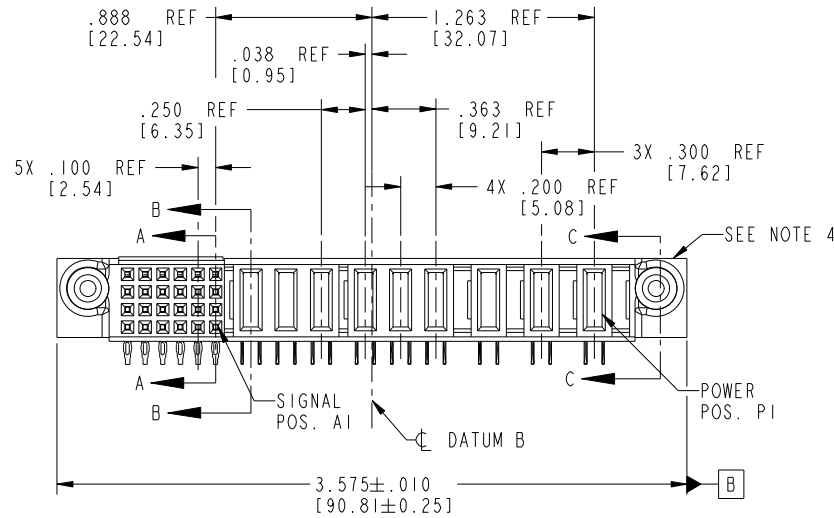
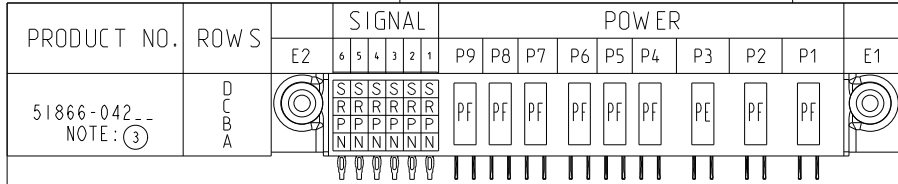


Tous droits strictement réservés. Reproduction ou communication à des tiers interdite sous quelque forme que ce soit sans autorisation écrite du propriétaire. Propriété de c.FCI. Droits de reproduction FCI.



All rights strictly reserved. Reproduction or issue to third parties in any form whatever is not permitted without written authority from the proprietor. Property of FCI. Copyright FCI.



| CODE | DIM "M" MATING LENGTH | CONTACT TYPE |
|------|-----------------------|--------------|
| PF | .092 [2.34] | POWER |
| S | N/A [N/A] | SIGNAL |
| R | N/A [N/A] | SIGNAL |
| P | N/A [N/A] | SIGNAL |
| N | N/A [N/A] | SIGNAL |
| PE | .042 [1.07] | POWER |

| | | | | | | | |
|-----------------------|----------------|-----|----------|---------------------------------------|------------------------|------------------------------|--------|
| mat'l code SEE NOTE 2 | | | | tolerances unless otherwise specified | | CUSTOMER | |
| ltr | ecn no. | dr | date | linear | .XX±.01/0.X±0.3 | COPY | |
| A | DG06-0087 | JMG | 03/02/06 | angles | .XXX±.005/0.XXX±0.13 | projection | |
| | | | | | .XXX±.0020/0.XXX±0.051 | | |
| | | | | dr | 0°±2° | | |
| | | | | enr | JM GUO 03/02/06 | title | |
| | | | | chr | SLUO 03/02/06 | 9P + 24S | |
| | | | | appd | BEER FU 03/02/06 | R/A PRESS-FIT RECEPTACLE | |
| | | | | | JOSEPH HSIA 03/02/06 | product family PwrBlade code | |
| sheet index | revision sheet | A | A | A | A | size | 213 |
| | | 1 | 2 | 3 | 4 | dwg no | sheet |
| | | | | | | A | 1 of 4 |
| | | | | | | 51866-042 | |

| | | | |
|-----------|--|-----------------|--|
| scale 1:1 | | cage code 22526 | |
|-----------|--|-----------------|--|

1 | 2

Pro/E

3 |

cage code 22526

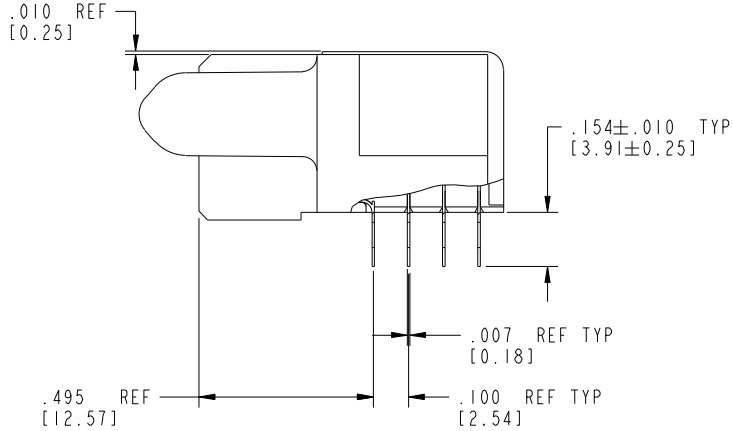
4

Tous droits strictement reserves. Reproduction ou communication a des tiers interdite sous quelque forme que ce soit sans autorisation écrite du propriétaire. Propriete de c FCI. Droits de reproduction FCI.

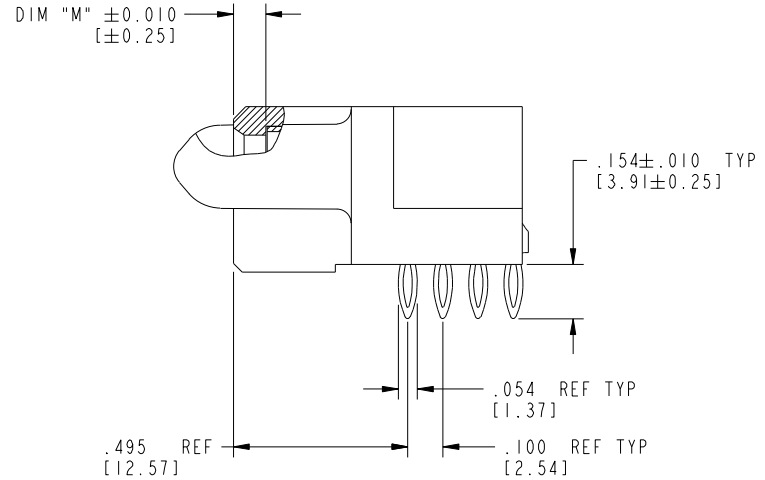


All rights strictly reserved. Reproduction or issue to third parties in any form whatever is not permitted without written authority from the proprietor. Property of FCI. Copyright FCI.

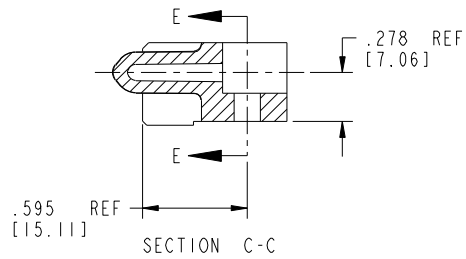
PRODUCT NUMBER
51866-042--
NOTE: ③



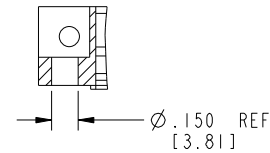
BROKEN-OUT SECTION A-A
SCALE 2:1



BROKEN-OUT SECTION B-B
SCALE 2:1



SECTION C-C



PARTIAL SECTION E-E

| | | | | | | | | | | | |
|-------------|----------------|------------|------|---------------------------------------|------------------------|----------|--|----------------|--|----------------------|--|
| mal'l code | | SEE NOTE 2 | | tolerances unless otherwise specified | | CUSTOMER | | FCI | | www.fciconnect.com | |
| ltr | ecn no. | dr | date | linear | .XX±.01/0.X±0.3 | COPY | | projection | | title | |
| A | | | | | .XXX±.005/0.XX±0.13 | COPY | | R/A | | 9P + 24S | |
| | | | | angles | .XXX±.0020/0.XXX±0.051 | COPY | | R/A | | PRESS-FIT RECEPTACLE | |
| | | | | dr | 0°±2° | COPY | | product family | | PwrBlade | |
| | | | | enr | JM GUO 03/02/06 | COPY | | size | | code | |
| | | | | chr | SLUO 03/02/06 | COPY | | dwg no | | 213 | |
| | | | | appd | BEER FU 03/02/06 | COPY | | A | | 51866-042 | |
| | | | | | JOSEPH HSIA 03/02/06 | COPY | | scale | | 2 of 4 | |
| sheet index | revision sheet | | | | | 1:1 | | | | | |

cage code 22526

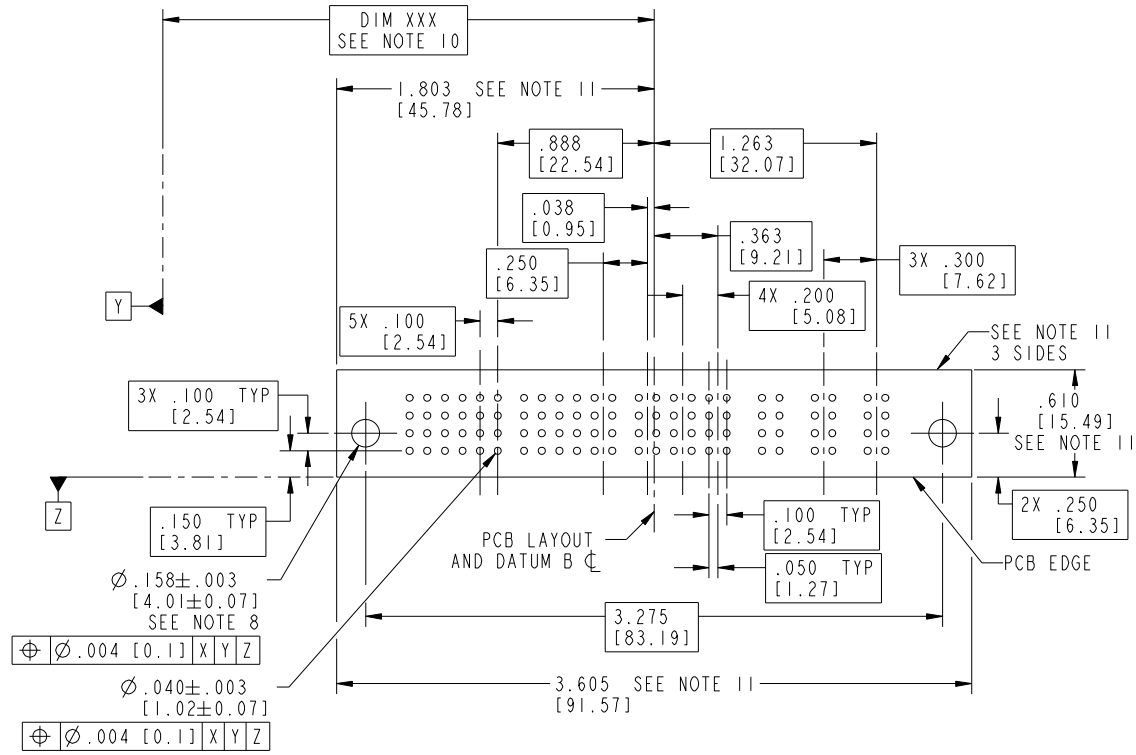
Pro/E

Tous droits strictement réservés. Reproduction ou communication à des tiers interdite sous quelque forme que ce soit sans autorisation écrite du propriétaire. Propriété de c.FCI. Droits de reproduction FCI.



All rights strictly reserved. Reproduction or issue to third parties in any form whatever is not permitted without written authority from the proprietor. Property of FCI. Copyright FCI.

PRODUCT NUMBER
51866-042--
NOTE: ③



$\varnothing .158 \pm .003$
[4.01 ± 0.07]
SEE NOTE 8
 $\varnothing .040 \pm .003$
[1.02 ± 0.07]

$\varnothing .004$ [0.1] X|Y|Z

$\varnothing .004$ [0.1] X|Y|Z

| | | | | | | | | | |
|-------------|----------------|------------|------|---------------------------------------|------------------------|----------------|--|--------------------------|--|
| mat'l code | | SEE NOTE 2 | | tolerances unless otherwise specified | | CUSTOMER | | FCI | |
| ltr | ecn no. | dr | date | linear | .XX±.01/0.X±0.3 | COPY | | www.fciconnect.com | |
| A | | | | linear | .XXX±.005/0.XX±0.13 | projection | | title | |
| | | | | angles | .XXX±.0020/0.XXX±0.051 | | | 9P + 24S | |
| | | | | dr | 0°±2° | | | R/A PRESS-FIT RECEPTACLE | |
| | | | | enr | JM GUO 03/02/06 | product family | | PwrBlade | |
| | | | | chr | SLUO 03/02/06 | size | | code | |
| | | | | appd | BEER FU 03/02/06 | dwg no | | 213 | |
| | | | | | JOSEPH HSIA 03/02/06 | scale | | sheet | |
| | | | | | | 1:1 | | 3 of 4 | |
| sheet index | revision sheet | | | | | A | | 51866-042 | |

cage code 22526

Pro/E

Tous droits strictement reserves. Reproduction ou communication a des tiers interdite sous quelque forme que ce soit sans autorisation écrite du propriétaire. Propriete de c FCI. Droits de reproduction FCI.



All rights strictly reserved. Reproduction or issue to third parties in any form whatever is not permitted without written authority from the proprietor. Property of FCI. Copyright FCI.

PRODUCT NUMBER
51866-042--
NOTE: ③

NOTES:

1. DIMENSIONS AND TOLERANCES ARE IN ACCORDANCE WITH ASME Y14.5M, 1994 UNLESS OTHERWISE SPECIFIED.

CONNECTOR NOTES:

- 2. HOUSING MATERIAL: UL 94 V-0 GLASS FILLED HIGH-TEMP THERMOPLASTIC
POWER CONTACT MATERIAL: COPPER ALLOY
SIGNAL PIN MATERIAL: COPPER ALLOY
- 3. 51866-042;51866-042LF;51866-042GLF PLATING SPEC. SEE PRINT:10064183
- 4. MANUFACTURER'S NAME, P/N, AND DATE CODE TO APPEAR ON THIS SURFACE.
- 5. PRODUCT SPECIFICATION GS-12-149.
APPLICATION SPECIFICATION BUS-20-067.
- 6. PACKAGED IN TRAYS.

PCB NOTES:

- 7. ALL HOLE DIAMETERS ARE FINISHED HOLE SIZE.
- 8. MOUNTING HOLES, WHERE APPLICABLE, ARE UNPLATED.
- 9. $\varnothing .0453 \pm .0010$ [1.151 \pm 0.025] DRILLED HOLES PLATED WITH .0003 [0.008] MIN SnPb OR Sn OVER .001 [0.03] TO .003 [0.08] Cu PLATING TO ACHIEVE $\varnothing .040 \pm .003$ [1.02 \pm .07] HOLE.
- 10. "DIM XXX" TO BE DETERMINED BY THE CUSTOMER.
- 11. CONNECTOR KEEP-OUT ZONE.
- 12. USE FCI CAM TOOL 430140-012 TO APPLY CONNECTOR TO PCB.

| | | | | | | | | | | | |
|-------------|---------|----------------|------|---------------------------------------|------------------------|-----------|--|--------------------------|--|--------------------|--|
| mat'l code | | SEE NOTE 2 | | tolerances unless otherwise specified | | CUSTOMER | | FCI | | www.fciconnect.com | |
| ltr | ecn no. | dr | date | linear | .XX±.01/0.X±0.3 | COPY | | | | | |
| A | | | | projection | .XXX±.005/0.XX±0.13 | | | title 9P + 24S | | | |
| | | | | angles | .XXX±.0020/0.XXX±0.051 | | | R/A PRESS-FIT RECEPTACLE | | | |
| | | | | dr | 0°±2° | | | product family PwrBlade | | code 213 | |
| | | | | engr | JM GUO 03/02/06 | scale 1:1 | | size | | sheet 4 of 4 | |
| | | | | chr | SLUO 03/02/06 | | | A | | 51866-042 | |
| | | | | appd | BEER FU 03/02/06 | | | | | | |
| | | | | | JOSEPH HSIA 03/02/06 | | | | | | |
| sheet index | | revision sheet | | | | | | | | | |

cage code 22526

Pro/E



Компания «ЭлектроПласт» предлагает заключение долгосрочных отношений при поставках импортных электронных компонентов на взаимовыгодных условиях!

Наши преимущества:

- Оперативные поставки широкого спектра электронных компонентов отечественного и импортного производства напрямую от производителей и с крупнейших мировых складов;
- Поставка более 17-ти миллионов наименований электронных компонентов;
- Поставка сложных, дефицитных, либо снятых с производства позиций;
- Оперативные сроки поставки под заказ (от 5 рабочих дней);
- Экспресс доставка в любую точку России;
- Техническая поддержка проекта, помощь в подборе аналогов, поставка прототипов;
- Система менеджмента качества сертифицирована по Международному стандарту ISO 9001;
- Лицензия ФСБ на осуществление работ с использованием сведений, составляющих государственную тайну;
- Поставка специализированных компонентов (Xilinx, Altera, Analog Devices, Intersil, Interpoint, Microsemi, Aeroflex, Peregrine, Syfer, Eurofarad, Texas Instrument, Miteq, Cobham, E2V, MA-COM, Hittite, Mini-Circuits, General Dynamics и др.);

Помимо этого, одним из направлений компании «ЭлектроПласт» является направление «Источники питания». Мы предлагаем Вам помощь Конструкторского отдела:

- Подбор оптимального решения, техническое обоснование при выборе компонента;
- Подбор аналогов;
- Консультации по применению компонента;
- Поставка образцов и прототипов;
- Техническая поддержка проекта;
- Защита от снятия компонента с производства.



Как с нами связаться

Телефон: 8 (812) 309 58 32 (многоканальный)

Факс: 8 (812) 320-02-42

Электронная почта: org@eplast1.ru

Адрес: 198099, г. Санкт-Петербург, ул. Калинина, дом 2, корпус 4, литера А.