

EV202 SERIES

DPST-NO CONTACTOR (2 form X)

With option of 2 SPDT (form C)
Auxiliary Switch Outputs.

- **2 Pole Single-Throw Contactor – 400Vdc/ 350A per Pole**
- **12 or 24 VDC Coil**
- **Optional 2-SPDT auxiliary switch outputs:**
 - **30Vdc/ 2A max switching, or**
 - **6V/ 5mA min signal**
- **Hermetically Sealed**
- **Integrated Coil Economizer with Coil Suppression**
- **EMC Compliant – No radiated coil emission**
- **-55C to + 85C Operating Range**
- **Bidirectional Switching – Main contacts not polarity sensitive**
- **Mount in any orientation – not position sensitive**
- **RoHS Compliant**



EV202MSAND Shown (2 Aux Switches)



550 Linden Ave.
Carpinteria, CA US 93013
Internet: www.te.com

TITLE

EV202 CONTACTOR SERIES

SD-

EV202

CD CUSTOMER DRAWING

CAGE CODE
18741

SCALE
NONE

SHEET
1 of 6

General Specifications

Physical Data

Units

Contact Arrangement: Power Contacts	-	DPST-NO (2 form X)				
Auxiliary Switches		SPDT (form C)				
Number of Switches per Contactor Type:	EV202AS EV202MS	None Two				
Dimensions	-	See drawing				
Weight, Nominal (not including hardware)	Kg	0.77				

Environmental Data

Shock, 11ms ½ sine (operating)	G _{peak}	20				
Sine Vibration, 10 G _{peak}	Hz	10-2000				
Random Vibration, 14 Grms	Hz	15	100	300	900	2000
	G ² /Hz	.01	.01	.2	.2	.01
Operating Temperature Range	°C	-55 to +85				

Electrical Data

Voltage Rating: Main Contacts (max)	Vdc	600				
Auxiliary contacts	Vdc	30				
Current Rating: Continuous: Main Contacts (1)	A/Pole	350				
Auxiliary contacts	A	3				
Contact Resistance: Main Contacts (2)	mΩ	100 max @ 1 amp 0.3 max @ 200A after 3 minutes				
Auxiliary Contacts	mΩ	200 max				
Hot Switching performance @ ± 400Vdc (3)	cycles					
100A make/ break		10,000				
250A make/ break		2,500				
700A break only		10				
Hot Switching performance @ ± 270Vdc (4)	cycles					
100A make/ break		40,000				
250A make/ break		7,500				
2000A break only @ ± 370Vdc (5)		2				
Maximum Closing Into (Make) Current	A	700				
Mechanical Life	cycles	100,000				
Dielectric Withstand Voltage over life:						
Terminal to Terminal/ Terminals to Coil		1mA max @ 2,200Vrms				
Insulation Resistance over life:						
Terminal to Terminal/ Terminals to Coil		50MΩ min @ 500Vdc				

- (1) Using 4/0 conductor. Current rating is affected by attached conductor size and design. Keep terminals below 150C max continuous, 175C for 2 hours max, and 200C for 1 minute max. For mounting large conductors, request terminal adapter PN 3-1618396-7.
- (2) Operational contact resistance is measured by millivolt drop across contacts a >100A current. Initial contact resistance may be higher than 0.3mΩ, but will drop below within 30 minutes maximum.
- (3) Voltage applied to each contact set separately.
- (4) Voltage applied across both contact sets in series
- (5) Dielectric Withstand Voltage may be degraded following 2000A interrupts at 370Vdc.



CUSTOMER DRAWING

SD-

EV202

THIRD ANGLE PROJECTION



THIS DRAWING
PREPARED IN
ACCORDANCE WITH
ANSI/ASME Y14.5M-1982

CAGE CODE
18741

SCALE
NONE

SHEET
2 of 6

Coil Data (over -40 to +85C temperature range
unless otherwise specified)

Coil Voltage, nominal/ maximum	Vdc	12/16	24/32
Pick Up, maximum (applied as step voltage only)	Vdc	8	16
Drop Out	Vdc	2.5 - 4	3 - 8
Inrush Current @ V-nominal, max	A	5	4.5
Inrush Time, nominal/ maximum	mS	75/ 150	75/ 150
Hold Current @V-nominal, max.	A	0.6	0.2
Internal Coil Suppression (max)	Vdc	40	60
Main Contacts:			
Operate Time, nominal/ maximum	mS	13/ 20	13/ 20
Operate Bounce, nominal/ maximum	mS	3/ 10	3/ 10
Release Time, nominal/ maximum	mS	7/ 12	7/ 12
Release time, maximum including maximum arc time	mS	25	25

Wire Color Code

Function	Color
Coil +	Red
Coil Return	Black
Aux A1 COM	Brown
NO	Yellow
NC	Purple
Aux B1 COM	Orange
NO	Green
NC	White

Note: EV202ASxxx type has 2 coil wires, with no auxiliary switches
EV202MSxxx type has 8 wires, with 2 auxiliary switches: A1 and B1



CUSTOMER DRAWING

SD-

EV202

THIRD ANGLE PROJECTION



THIS DRAWING
PREPARED IN
ACCORDANCE WITH
ANSI/ASME Y14.5M-1982

CAGE CODE
18741

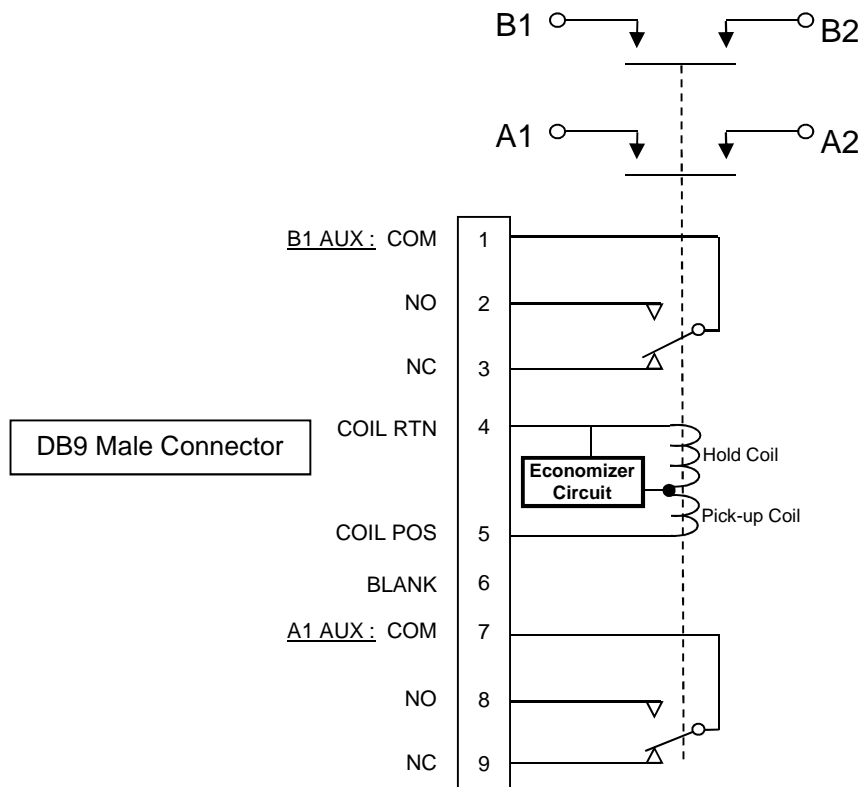
SCALE
NONE

SHEET
3 of 6

Schematic

EV202MSBFD shown for example.

Other versions may have different connectors and/ or different numbers of auxiliary switches



Part Numbering Reference

TYPICAL PART NUMBER		EV202	M	S	B	F	D
Series: EV202 = 2 form X, DPST-NO-DM Contactor							
Auxiliary Contact Outputs (SPDT form C): A = None, M = Two							
Coil Voltage: S = 24V; V = 12V (with built in electronically switched dual coil economizer)							
Coil and Aux Wire Length (inches): A = 15.3, B = 6, X = Customer specified configuration							
Coil and Aux Connector: N = none, F = "D" Plug on flying leads (may affect wire length)							
Mounting and Power Terminals D = 2X M5 Bottom Mount with 4X, M6 X 1 Female thread terminals							



CUSTOMER DRAWING

SD-

EV202

THIRD ANGLE PROJECTION



THIS DRAWING
PREPARED IN
ACCORDANCE WITH
ANSI/ASME Y14.5M-1982

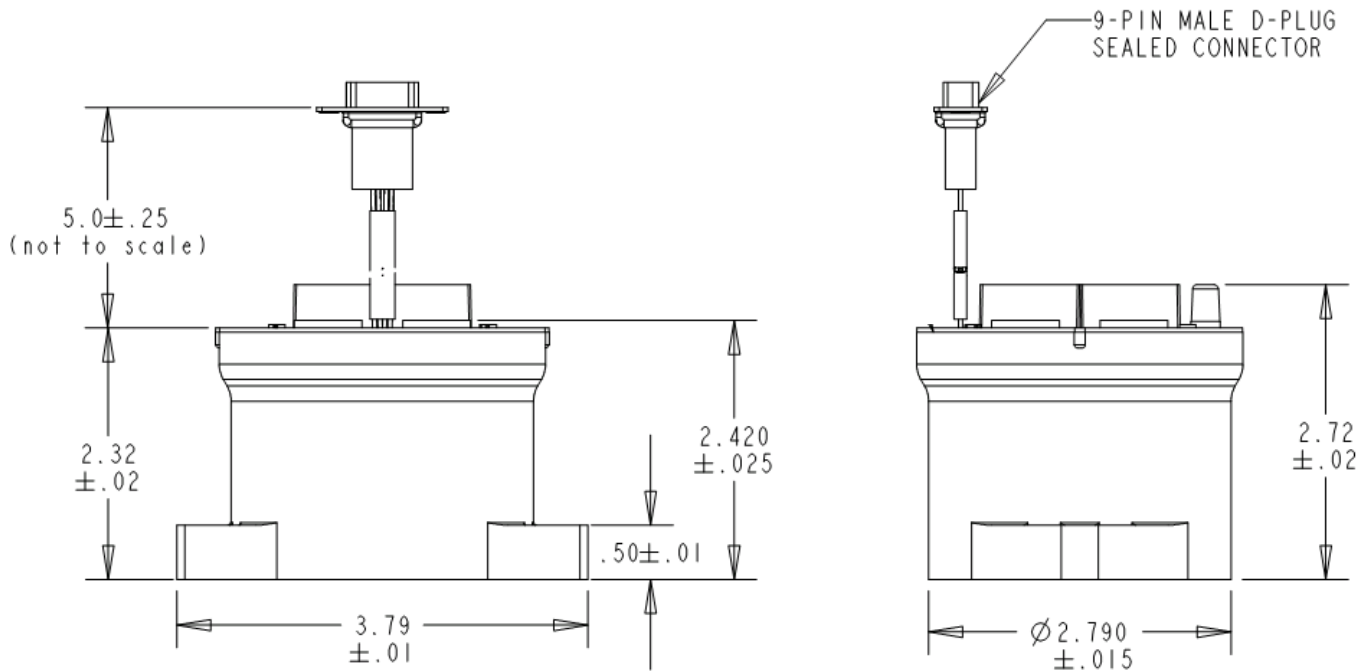
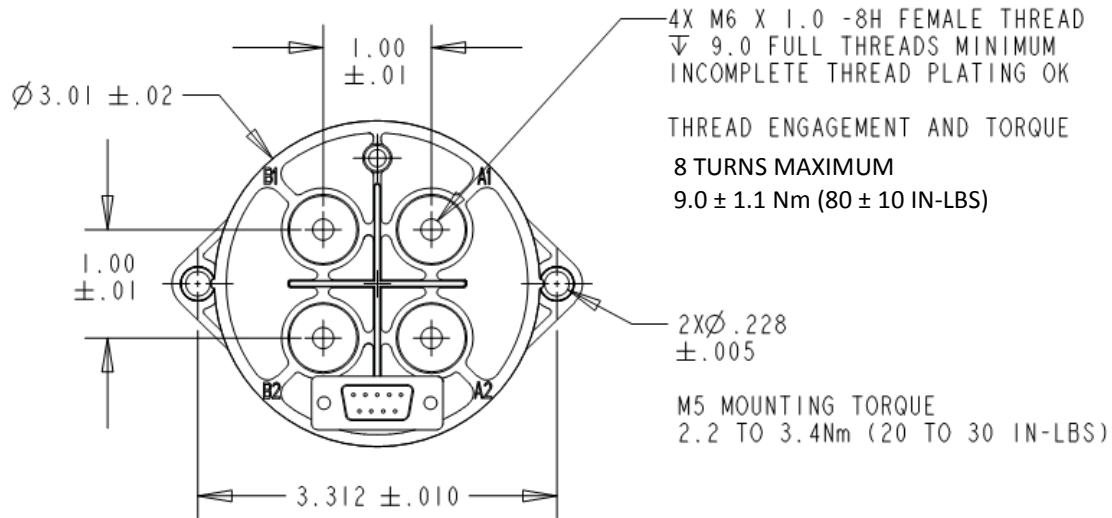
CAGE CODE
18741

SCALE
NONE

SHEET
4 of 6

Part Drawing

EV202MSBFD shown for example.
Other versions may have different connectors or flying leads.



Dimensions in Inches
Tolerances (except as noted)

- .xx = $\pm .03$
- .xxx = $\pm .010$
- $\angle x^\circ = \pm 5^\circ$



CUSTOMER DRAWING

SD- EV202



THIS DRAWING PREPARED IN ACCORDANCE WITH ANSI/ASME Y14.5M-1982

CAGE CODE 18741

SCALE NONE

SHEET 5 of 6

Rev.
B

Revisions

REV.	DESCRIPTION	DCO#	DATE	APP.
1	Preliminary Release	16255	01/05/15	D. Lewis
A	Release to Production	16334	11/12/15	D. Lewis
B	Add RoHS compliance, edit note 5.	16370	9/12/16	J.Reyes



CUSTOMER DRAWING

SD-

EV202

THIRD ANGLE PROJECTION



THIS DRAWING
PREPARED IN
ACCORDANCE WITH
ANSI/ASME Y14.5M-1982

CAGE CODE
18741

SCALE
NONE

SHEET
6 of 6



Компания «ЭлектроПласт» предлагает заключение долгосрочных отношений при поставках импортных электронных компонентов на взаимовыгодных условиях!

Наши преимущества:

- Оперативные поставки широкого спектра электронных компонентов отечественного и импортного производства напрямую от производителей и с крупнейших мировых складов;
- Поставка более 17-ти миллионов наименований электронных компонентов;
- Поставка сложных, дефицитных, либо снятых с производства позиций;
- Оперативные сроки поставки под заказ (от 5 рабочих дней);
- Экспресс доставка в любую точку России;
- Техническая поддержка проекта, помощь в подборе аналогов, поставка прототипов;
- Система менеджмента качества сертифицирована по Международному стандарту ISO 9001;
- Лицензия ФСБ на осуществление работ с использованием сведений, составляющих государственную тайну;
- Поставка специализированных компонентов (Xilinx, Altera, Analog Devices, Intersil, Interpoint, Microsemi, Aeroflex, Peregrine, Syfer, Eurofarad, Texas Instrument, Miteq, Cobham, E2V, MA-COM, Hittite, Mini-Circuits, General Dynamics и др.);

Помимо этого, одним из направлений компании «ЭлектроПласт» является направление «Источники питания». Мы предлагаем Вам помощь Конструкторского отдела:

- Подбор оптимального решения, техническое обоснование при выборе компонента;
- Подбор аналогов;
- Консультации по применению компонента;
- Поставка образцов и прототипов;
- Техническая поддержка проекта;
- Защита от снятия компонента с производства.



Как с нами связаться

Телефон: 8 (812) 309 58 32 (многоканальный)

Факс: 8 (812) 320-02-42

Электронная почта: org@eplast1.ru

Адрес: 198099, г. Санкт-Петербург, ул. Калинина, дом 2, корпус 4, литера А.