

XC6134 Series

ETR02029-001

Delay capacitor adjustable voltage detectors with sense pin isolation and HYS external adjustment

■ GENERAL DESCRIPTION

The XC6134 series are ultra-small delay capacitor adjustable type voltage detectors that have high accuracy and sense pin isolation. High accuracy and a low supply current are achieved by means of a CMOS process, a highly accurate reference power supply, and laser trimming technology.

The sense pin is isolated from the power input pin to enable monitoring of the voltage of another power supply. Output can be maintained in the detection state even if the voltage of the power supply that is monitored drops to 0V. The sense pin is also suitable for detecting high voltages, and the detection and release voltage can be set as desired using external resistors. An internal delay circuit is also provided. By connecting a capacitor to the Cd/MRB pin, any release delay time and detect delay time can be set, and the pin can also be used as a manual reset pin. The HYS external adjustment pin can be used to establish a sufficient hysteresis width.

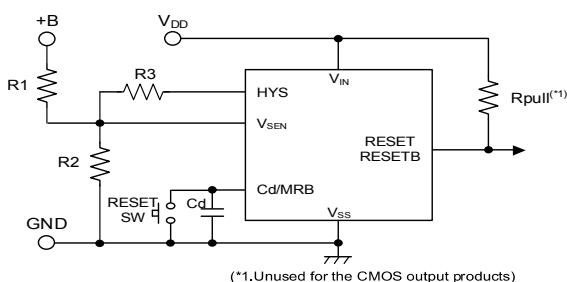
■ APPLICATIONS

- Microcontroller reset and malfunction monitoring
- Battery voltage monitoring
- System power-on reset
- Power failure detection

■ FEATURES

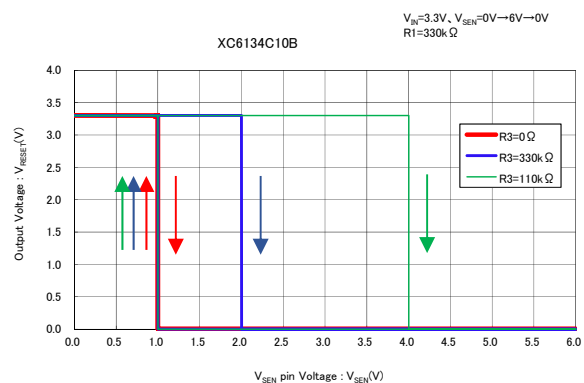
| | |
|--|--|
| Operating Ambient Temperature | : -40°C~+125°C |
| Operating voltage range | : 1.6V~6.0V |
| Detect voltage range | : 0.8V~5.0V |
| Detect voltage accuracy (Ta=25°C) | : ±18mV (V _{DF} < 1.5V) : ±1.2% (1.5V ≤ V _{DF} ≤ 3.0V) : ±1.5% (3.1V ≤ V _{DF} ≤ 5.0V) |
| Detect voltage accuracy (Ta=-40~125°C) | : ±36mV (V _{DF} < 1.5V) : ±2.7% (1.5V ≤ V _{DF} ≤ 3.0V) : ±3.0% (3.1V ≤ V _{DF} ≤ 5.0V) |
| Temperature Characteristics | : ±50ppm/°C (TYP.) |
| Hysteresis width | : V _{DF} × 0.1% (TYP.) |
| Adjustable Pin for Hysteresis Width | : Yes |
| Low supply current | : 1.28μA (TYP.) V _{IN} =1.6V (At detection) : 1.65μA (TYP.) V _{IN} =6.0V (At release) |
| Manual reset function | : Yes (For details, refer to FUNCTION CHART) |
| Output type | : CMOS or Nch open drain |
| Output logic | : H level or L level at detection |
| Delay capacitance pin | : Release delay / detection delay can be set in 5 time ratio options (For details, refer to Selection Guide). |
| Packages | : USP-6C, SOT-26 |
| Environment friendly | : EU RoHS compliant, Pb free |

■ TYPICAL APPLICATION CIRCUIT ■ TYPICAL PERFORMANCE CHARACTERISTICS



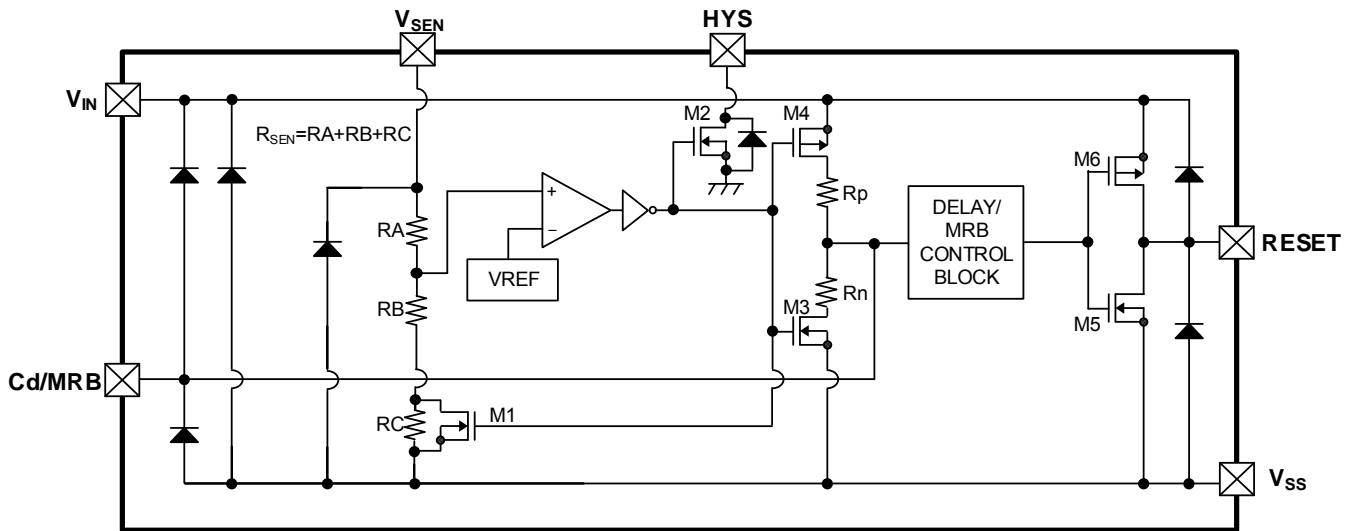
Battery (+B) voltage monitoring: Detects high voltage by R1/R2 resistance dividing.

A hysteresis width can be added as desired by connecting R3 between the V_{SEN} and HYS pins (For details, refer to OPERATIONAL DESCRIPTION).



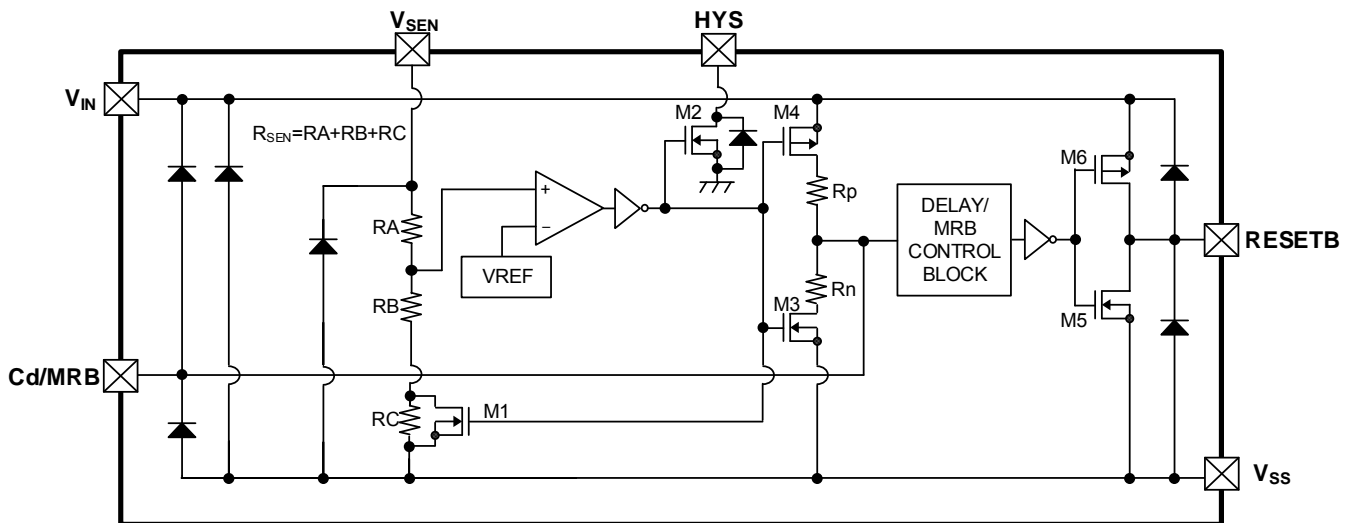
■ BLOCK DIAGRAMS

(1)XC6134C Series A/B/C/D/L type (RESET OUTPUT: CMOS/Active High)



* Diodes inside the circuit are an ESD protection diode and a parasitic diode.

(2)XC6134C Series E/F/H/K/M type (RESETB OUTPUT: CMOS/Active Low)



* Diodes inside the circuit are an ESD protection diode and a parasitic diode.

■ BLOCK DIAGRAMS (Continued)

(3)XC6134N Series A/B/C/D/L type (RESET OUTPUT: Nch open drain/Active High)



* Diodes inside the circuit are an ESD protection diode and a parasitic diode.

(4)XC6134N Series E/F/H/K/M type (RESETB OUTPUT: Nch open drain/Active Low)



* Diodes inside the circuit are an ESD protection diode and a parasitic diode.

■ PRODUCT CLASSIFICATION

● Ordering Information

XC6134①②③④⑤⑥-⑦^(*)

| DESIGNATOR | ITEM | SYMBOL | DESCRIPTION |
|---------------------|-----------------------|--------|--------------------------|
| ① | Output Configuration | C | CMOS output |
| | | N | Nch open drain output |
| ②③ | Detect Voltage | 08~50 | e.g. 1.0V → ②=1, ③=0 |
| ④ | TYPE | A~M | Refer to Selection Guide |
| ⑤⑥-⑦ ^(*) | Packages (Order Unit) | MR-G | SOT-26 (3,000pcs/Reel) |
| | | ER-G | USP-6C (3,000pcs/Reel) |

^(*) The “-G” suffix denotes Halogen and Antimony free as well as being fully EU RoHS compliant.

● Selection Guide

| TYPE | RESET/RESETB OUTPUT | DELAY(Rp:Rn) | | HYSTERESIS |
|------|----------------------------|--------------|-------------|------------|
| A | Active High ^(*) | 1:0 | 144kΩ:0Ω | 0.1%(TYP) |
| B | ↑ | 1:0.125 | 144kΩ:18kΩ | ↑ |
| C | ↑ | 1:1 | 144kΩ:144kΩ | ↑ |
| D | ↑ | 2:1 | 288kΩ:144kΩ | ↑ |
| L | ↑ | 0.076:1 | 11kΩ:144kΩ | ↑ |
| E | Active Low ^(*) | 1:0 | 144kΩ:0Ω | ↑ |
| F | ↑ | 1:0.125 | 144kΩ:18kΩ | ↑ |
| H | ↑ | 1:1 | 144kΩ:144kΩ | ↑ |
| K | ↑ | 2:1 | 288kΩ:144kΩ | ↑ |
| M | ↑ | 0.076:1 | 11kΩ:144kΩ | ↑ |

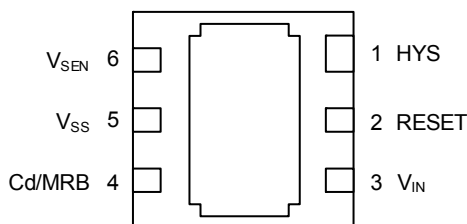
^(*) “Active High” is H level when detection occurs, and “Active Low” is L level when detection occurs.

■ PIN CONFIGURATION

● A/B/C/D/L type

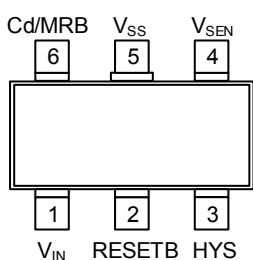


SOT-26
(TOP VIEW)

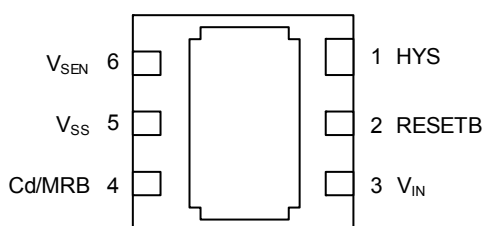


USP-6C
(BOTTOM VIEW)

● E/F/H/K/M type



SOT-26
(TOP VIEW)



USP-6C
(BOTTOM VIEW)

*The dissipation pad for the USP-6C package should be solder-plated in reference mount pattern and metal masking so as to enhance mounting strength and heat release. If the pad needs to be connected to other pins, it should be connected to V_{SS} (No. 5) pin.

■ PIN ASSIGNMENT

| PIN NUMBER | | PIN NAME | FUNCTION |
|------------|--------|-----------|--|
| SOT-26 | USP-6C | | |
| 1 | 3 | V_{IN} | Power Input |
| 2 | 2 | RESETB | Reset Output (Active Low) ^(*) |
| | | RESET | Reset Output (Active High) ^(*) |
| 3 | 1 | HYS | Adjustable Pin for Hysteresis Width |
| 4 | 6 | V_{SEN} | Voltage Sense |
| 5 | 5 | V_{SS} | Ground |
| 6 | 4 | Cd/MRB | Adjustable Pin for Delay Time/ Manual Reset |

^(*) Refer to the ④ in Ordering Information table.

XC6134 Series

FUNCTION CHART

| PIN NAME | SIGNAL | STATUS |
|----------|--------|--|
| Cd/MRB | L | Forced Reset |
| | H | For details, refer to " Function Chart " |
| | OPEN | Normal Operation |

Function Chart

$1.6V \leq V_{IN} \leq 6.0V$

| V_{SEN} | $V_{Cd/MRB}$ | Transition of V_{RESETB} Condition | Transition of V_{RESET} Condition |
|---------------------------------|---------------------------|--------------------------------------|--------------------------------------|
| | | TYPE:A/B/C/D/L | TYPE:E/F/H/K/M |
| $V_{SEN} \geq V_{DF} + V_{HYS}$ | $V_{Cd/MRB} \leq V_{MRL}$ | Reset (High Level) ^{(*)2} | Reset (Low Level) ^{(*)1} |
| | $V_{Cd/MRB} \geq V_{MRH}$ | Release (Low Level) ^{(*)1} | Release (High Level) ^{(*)2} |
| $V_{SEN} \leq V_{DF}$ | $V_{Cd/MRB} \leq V_{MRL}$ | Reset (High Level) ^{(*)2} | Reset (Low Level) ^{(*)1} |
| | $V_{Cd/MRB} \geq V_{MRH}$ | Undefined ^{(*)3} | Undefined ^{(*)3} |

^{(*)1} CMOS output: $V_{IN} \times 0.1$ or less, N-ch open drain output, pull-up voltage $\times 0.1$ or less.

^{(*)2} CMOS output: $V_{IN} \times 0.9$ or higher, N-ch open drain output, pull-up voltage $\times 0.9$ or higher.

^{(*)3} For details, refer to page 16 <Manual reset function>.

ABSOLUTE MAXIMUM RATINGS

$T_a = 25^\circ\text{C}$

| PARAMETER | SYMBOL | RATINGS | UNITS |
|-------------------------------|----------------------------|--|------------------|
| Input Voltage | V_{IN} | -0.3~+7.0 | V |
| V_{SEN} Pin Voltage | V_{SEN} | -0.3~+7.0 | V |
| HYS Pin Voltage | V_{HYS} | -0.3~+7.0 | V |
| Cd/MRB Pin Voltage | $V_{Cd/MRB}$ | -0.3~ $V_{IN} + 0.3$ or +7.0 ^{(*)1} | V |
| Output Voltage | V_{RESETB} / V_{RESET} | $-0.3 \sim V_{IN} + 0.3$ or +7.0 ^{(*)1} | V |
| | | -0.3~+7.0 | V |
| Cd/MRB Pin Current | $I_{Cd/MRB}$ | ± 5.0 | mA |
| Output Current | I_{RBOUT} / I_{ROUT} | ± 50 | mA |
| | | +50 | mA |
| HYS Pin Current | I_{HYS} | +50 | mA |
| Power Dissipation | SOT-26 | 250 | mW |
| | USP-6C | 100 | mW |
| Operating Ambient Temperature | T_{opr} | -40~+125 | $^\circ\text{C}$ |
| Storage Temperature | T_{stg} | -55~+125 | $^\circ\text{C}$ |

* All voltages are described based on the V_{SS} .

^{(*)1} The maximum value should be either $V_{IN} + 0.3$ or +7.0 in the lowest.

^{(*)2} CMOS Output

^{(*)3} N-ch Open Drain Output

ELECTRICAL CHARACTERISTICS

| PARAMETER | SYMBOL | CONDITIONS | Ta=25°C | | | -40°C ≤ Ta ≤ 125°C ⁽⁵⁾ | | | UNITS | CIRCUIT |
|--|---|---|------------------------------|---------------------------|------------------------------|-----------------------------------|---------------------------|------------------------------|--------|---------|
| | | | MIN. | TYP. | MAX. | MIN. | TYP. | MAX. | | |
| Operating Voltage | V _{IN} | | 1.6 | | 6.0 | 1.6 | | 6.0 | V | ① |
| V _{SEN} Input Voltage | V _{SEN} | | 0 | | 6.0 | 0 | | 6.0 | V | |
| Detect Voltage | V _{DF} | V _{DF(T)} ^(*) =0.8V~1.4V | V _{DF(T)} -18mV | V _{DF(T)} | V _{DF(T)} +18mV | V _{DF(T)} -36mV | V _{DF(T)} | V _{DF(T)} +36mV | V | |
| | | V _{DF(T)} ^(*) =1.5V~3.0V | V _{DF(T)} ×0.988 | V _{DF(T)} | V _{DF(T)} ×1.012 | V _{DF(T)} ×0.973 | V _{DF(T)} | V _{DF(T)} ×1.027 | V | |
| | | V _{DF(T)} ^(*) =3.1V~5.0V | V _{DF(T)} ×0.985 | V _{DF(T)} | V _{DF(T)} ×1.015 | V _{DF(T)} ×0.970 | V _{DF(T)} | V _{DF(T)} ×1.030 | V | |
| Temperature Characteristics | $\frac{\Delta V_{DF}}{(\Delta T_{opr} \cdot V_{DF})}$ | -40°C ≤ Topr ≤ 125°C | - | ±50 | - | - | ±50 | - | ppm/°C | |
| Hysteresis Width | V _{HYS} | | - | V _{DF} ×0.001 | V _{DF} ×0.007 | - | V _{DF} ×0.001 | V _{DF} ×0.01 | V | |
| Supply Current 1 | I _{ss1} | V _{SEN} =V _{DF} ×0.9V, V _{IN} =1.6V | - | 1.28 | 2.65 | - | 1.28 | 3.92 | μA | ② |
| | | V _{SEN} =V _{DF} ×0.9V, V _{IN} =6.0V | - | 1.36 | 2.80 | - | 1.36 | 4.22 | | |
| Supply Current 2 | I _{ss2} | V _{SEN} =V _{DF} ×1.1V, V _{IN} =1.6V | - | 1.32 | 2.75 | - | 1.32 | 4.26 | | |
| | | V _{SEN} =V _{DF} ×1.1V, V _{IN} =6.0V | - | 1.65 | 3.25 | - | 1.65 | 4.97 | | |
| SENSE Resistance | R _{SEN} | V _{IN} =6.0V, V _{SEN} =6.0V | E-1 ^(*) | | - | E-2 ^(*) | | - | MΩ | ③ |
| Release Delay Resistance (TYPE:A/B/C/E/F/H) | R _p | V _{IN} =6.0V, V _{SEN} =6.0V, V _{Cd/MRB} =0V | 130 | 144 | 158 | 122 | 144 | 166 | kΩ | ④ |
| Release Delay Resistance (TYPE:D/K) | | V _{IN} =6.0V, V _{SEN} =6.0V, V _{Cd/MRB} =0V | 259 | 288 | 317 | 245 | 288 | 331 | | |
| Release Delay Resistance (TYPE:L/M) | | V _{IN} =6.0V, V _{SEN} =6.0V, V _{Cd/MRB} =0V | 8.3 | 11 | 18.4 | 7.6 | 11 | 20.0 | | |
| Detect Delay Resistance (TYPE:C/D/H/K/L/M) | R _n | V _{IN} =6.0V, V _{SEN} =0V, V _{Cd/MRB} =6.0V | 130 | 144 | 158 | 122 | 144 | 166 | kΩ | ④ |
| Detect Delay Resistance (TYPE:B/F) | | V _{IN} =6.0V, V _{SEN} =0V, V _{Cd/MRB} =6.0V | 16.8 | 18 | 19.1 | 16.2 | 18 | 19.8 | | |
| Release Delay Time ^(*) | t _{DR0} | V _{IN} =6.0V, V _{SEN} =V _{DF} ×0.9V→V _{DF} ×1.1V | - | 20 | 102 | - | 20 | 136 | μs | ⑤ |
| Detect Delay Time ^(*) | t _{DF0} | V _{IN} =6.0V, V _{SEN} =V _{DF} ×1.1V→V _{DF} ×0.9V | - | 20 | 82 | - | 20 | 116 | | |

Unless otherwise specified in measurement conditions, Cd/MRB pin and HYS pin are open.

^(*) V_{DF(T)}: Nominal detect voltage

⁽²⁾ For V_{IN} conditions, refer to SPEC TABLE (p.10).

⁽³⁾ RESETB product: Time from when the V_{SEN} pin voltage reaches the release voltage until the reset output pin reaches 5.4V (V_{IN}×90%).

RESET product: Time from when the V_{SEN} pin voltage reaches the release voltage until the reset output pin reaches 0.6V(V_{IN}×10%)
Release voltage (V_{DR})=Detect voltage (V_{DF})+Hysteresis width (V_{HYS}).

⁽⁴⁾ RESETB product: Time from when the V_{SEN} pin voltage reaches the detect voltage until the reset output pin reaches 0.6V(V_{IN}×10%).

RESET product: Time from when the V_{SEN} pin voltage reaches the detect voltage until the reset output pin reaches 5.4V(V_{IN}×90%).

⁽⁵⁾ The ambient temperature range (-40°C ≤ Ta ≤ 125°C) is a design Value.

XC6134 Series

ELECTRICAL CHARACTERISTICS (Continued)

| PARAMETER | SYMBOL | CONDITIONS | Ta=25°C | | | -40°C ≤ Ta ≤ 125°C ⁽⁷⁾ | | | UNITS | CIRCUIT |
|-----------------------------------|-----------------------------------|--|---------|-------|------|-----------------------------------|-------|-------|-------|---------|
| | | | MIN. | TYP. | MAX. | MIN. | TYP. | MAX. | | |
| Hysteresis Output Current | I _{HYSOUT} | V _{IN} =1.6V, V _{SEN} =0V, V _{HYS} =0.3V | 1.9 | 3.4 | - | 0.7 | 3.4 | - | mA | ⑥ |
| Hysteresis Output Leakage Current | I _{HYSLEAK} | V _{IN} =6.0V, V _{SEN} =6.0V, V _{HYS} =6.0V | - | 0.01 | 0.1 | - | 0.01 | 1.0 | μA | |
| RESETB Output Current | I _{RBOUTN} | V _{SEN} =V _{DF} ×0.9V, Nch. V _{RESETB} =0.3V | | | | | | | mA | ⑦ |
| | | V _{IN} =1.6V | 1.9 | 3.4 | - | 0.7 | 3.4 | - | | |
| | | V _{IN} =2.0V | 4.2 | 6.0 | - | 2.0 | 6.0 | - | | |
| | | V _{IN} =3.0V | 8.6 | 10.5 | - | 4.3 | 10.5 | - | | |
| | | V _{IN} =4.0V | 12.7 | 14.1 | - | 6.2 | 14.1 | - | | |
| | | V _{IN} =5.0V | 15.6 | 17.0 | - | 7.3 | 17.0 | - | | |
| | I _{RBOUTP} | V _{SEN} =V _{DF} ×1.1V, Pch. V _{RESETB} =V _{IN} -0.3V | | | | | | | | |
| | | V _{IN} =1.6V | - | -1.2 | -0.7 | - | -1.2 | -0.48 | | |
| | | V _{IN} =3.0V | - | -3.0 | -2.5 | - | -3.0 | -1.1 | | |
| | | V _{IN} =6.0V | - | -4.9 | -4.4 | - | -4.9 | -2.5 | | |
| RESET Output Current | I _{ROUTN} | V _{SEN} =V _{DF} ×1.1V, Nch. V _{RESET} =0.3V | | | | | | | mA | |
| | | V _{IN} =1.6V | 1.9 | 3.4 | - | 0.7 | 3.4 | - | | |
| | | V _{IN} =2.0V | 4.2 | 6.0 | - | 2.0 | 6.0 | - | | |
| | | V _{IN} =3.0V | 8.6 | 10.5 | - | 4.3 | 10.5 | - | | |
| | | V _{IN} =4.0V | 12.7 | 14.1 | - | 6.2 | 14.1 | - | | |
| | | V _{IN} =5.0V | 15.6 | 17.0 | - | 7.3 | 17.0 | - | | |
| | I _{ROUTP} | V _{SEN} =V _{DF} ×0.9V, Pch. V _{RESET} =V _{IN} -0.3V | | | | | | | | |
| | | V _{IN} =1.6V | - | -1.2 | -0.7 | - | -1.2 | -0.48 | | |
| | | V _{IN} =3.0V | - | -3.0 | -2.5 | - | -3.0 | -1.1 | | |
| | | V _{IN} =6.0V | - | -4.9 | -4.4 | - | -4.9 | -2.5 | | |
| RESETB Output Leakage Current | I _{LEAKN} ⁽⁶⁾ | V _{IN} =6.0V, V _{SEN} =6.0V, Nch. V _{RESETB} =6.0V | - | 0.01 | 0.1 | - | 0.01 | 1.0 | μA | |
| | I _{LEAKP} | V _{IN} =6.0V, V _{SEN} =0V, Pch. V _{RESETB} =0V | - | -0.01 | - | - | -0.01 | - | | |
| RESET Output Leakage Current | I _{LEAKN} ⁽⁶⁾ | V _{IN} =6.0V, V _{SEN} =0V, Nch. V _{RESET} =6.0V | - | 0.01 | 0.1 | - | 0.01 | 1.0 | | |
| | I _{LEAKP} | V _{IN} =6.0V, V _{SEN} =6.0V, Pch. V _{RESET} =0V | - | -0.01 | - | - | -0.01 | - | | |

Unless otherwise specified in measurement conditions, Cd/MRB pin and HYS pin are open.

⁽⁶⁾ Max. value is for XC6134N (Nch open drain).

⁽⁷⁾ The ambient temperature range (-40°C ≤ Ta ≤ 125°C) is a design Value.

■ ELECTRICAL CHARACTERISTICS (Continued)

| PARAMETER | SYMBOL | CONDITIONS | Ta=25°C | | | -40°C ≤ Ta ≤ 125°C ^(*)11) | | | UNITS | CIRCUIT |
|--------------------------------------|------------------------------------|---|-----------------------|----------------------|-----------------------|--------------------------------------|----------------------|-----------------------|-------|---------|
| | | | MIN. | TYP. | MAX. | MIN. | TYP. | MAX. | | |
| Cd Pin Sink Current (TYPE:A/E) | I _{Cd} | V _{IN} =1.6V, V _{Cd/MRB} =0.5V, V _{SEN} =0V | 0.92 | 1.2 | | 0.66 | 1.2 | | mA | ⑧ |
| Cd Pin Threshold Voltage(Release) | V _{TCd1} | V _{IN} :1.6V~6.0V, V _{SEN} =0V→V _{DF} ×1.1V | V _{IN} ×0.46 | V _{IN} ×0.5 | V _{IN} ×0.54 | V _{IN} ×0.46 | V _{IN} ×0.5 | V _{IN} ×0.54 | V | ⑨ |
| Cd Pin Threshold Voltage(Detect) | V _{TCd2} | V _{IN} :1.6V~6.0V, V _{SEN} =V _{DF} ×1.1V→0V | | | | | | | | |
| MRB High Level Voltage | V _{MRH} | V _{IN} :1.6V~6.0V, V _{SEN} =V _{DF} ×1.1V | V _{IN} ×0.55 | | V _{IN} | V _{IN} ×0.55 | | V _{IN} | V | ⑩ |
| MRB Low Level Voltage | V _{MRL} | V _{IN} :1.6V~6.0V, V _{SEN} =V _{DF} ×1.1V | 0 | | V _{IN} ×0.18 | 0 | | V _{IN} ×0.18 | V | |
| MRB Minimum Pulse Width | t _{MRIN} ^(*)8) | V _{IN} :Refer to V-1 ^(*)10) , V _{SEN} =V _{DF} ×1.1V, Apply pulse from V _{DF} ×1.1V to 0V to the MRB pin. | 5.0 | - | - | 5.0 | - | - | μs | ⑪ |
| | t _{MRIN} ^(*)9) | | 32.0 | - | - | 32.0 | - | - | | |

Unless otherwise specified in measurement conditions, Cd/MRB pin and HYS pin are open.

^(*)8) Specification is guaranteed for types A/B/C/D/L/E/F/H/K/M of the CMOS output product and types E/F/H/K/M of the Nch open drain product.

^(*)9) Specification is guaranteed for types A/B/C/D/L of the Nch open drain output product.

^(*)10) For V_{IN} conditions, refer to SPEC TABLE (p.10).

^(*)11) The ambient temperature range (-40°C ≤ Ta ≤ 125°C) is a design Value.

XC6134 Series

ELECTRICAL CHARACTERISTICS (SPEC TABLE)

Table of Characteristics by Voltage Setting

| NOMINAL DETECT VOLTAGE(V) | E-1(Ta=25°C) | | E-2(-40°C ≤ Ta ≤ 125°C) | | V-1 INPUT VOLTAGE(V) |
|------------------------------|----------------------|------|-------------------------|------|-------------------------|
| | SENSE Resistance(MΩ) | | SENSE Resistance(MΩ) | | |
| V _{DF(T)} | MIN. | TYP. | MIN. | TYP. | |
| 0.8 | 7.5 | 20.7 | 5.9 | 20.7 | 1.6 |
| 0.9 | 8.6 | 23.3 | 6.8 | 23.3 | ↑ |
| 1.0 | 10.0 | 26.1 | 7.6 | 26.1 | ↑ |
| 1.1 | 11.0 | 28.6 | 8.5 | 28.6 | ↑ |
| 1.2 | 12.2 | 31.3 | 9.3 | 31.3 | ↑ |
| 1.3 | 13.4 | 33.9 | 10.2 | 33.9 | ↑ |
| 1.4 | 14.5 | 36.6 | 11.1 | 36.6 | ↑ |
| 1.5 | 15.7 | 38.6 | 11.9 | 38.6 | V _{DF} ×1.1 |
| 1.6 | 16.9 | 39.2 | 12.8 | 39.2 | ↑ |
| 1.7 | 18.1 | 39.8 | 13.6 | 39.8 | ↑ |
| 1.8 | 19.3 | 40.4 | 14.5 | 40.4 | ↑ |
| 1.9 | 19.0 | 40.2 | 14.3 | 40.2 | ↑ |
| 2.0 | 18.6 | 39.9 | 14.0 | 39.9 | ↑ |
| 2.1 | 18.3 | 39.1 | 13.8 | 39.1 | ↑ |
| 2.2 | 18.0 | 38.3 | 12.1 | 38.3 | ↑ |
| 2.3 | 17.8 | 37.6 | 11.9 | 37.6 | ↑ |
| 2.4 | 17.5 | 37.0 | 11.8 | 37.0 | ↑ |
| 2.5 | 17.3 | 36.5 | 11.7 | 36.5 | ↑ |
| 2.6 | 17.1 | 36.0 | 11.5 | 36.0 | ↑ |
| 2.7 | 17.0 | 35.6 | 11.4 | 35.6 | ↑ |
| 2.8 | 16.8 | 35.2 | 11.3 | 35.2 | ↑ |
| 2.9 | 16.7 | 34.9 | 11.2 | 34.9 | ↑ |
| 3.0 | 16.5 | 34.5 | 11.1 | 34.5 | ↑ |
| 3.1 | 16.4 | 34.2 | 11.0 | 34.2 | ↑ |
| 3.2 | 16.3 | 34.0 | 11.0 | 34.0 | ↑ |
| 3.3 | 16.2 | 33.7 | 10.9 | 33.7 | ↑ |
| 3.4 | 16.1 | 33.5 | 10.8 | 33.5 | ↑ |
| 3.5 | 16.0 | 33.2 | 10.8 | 33.2 | ↑ |
| 3.6 | 15.9 | 33.0 | 10.7 | 33.0 | ↑ |
| 3.7 | 15.8 | 32.8 | 10.7 | 32.8 | ↑ |
| 3.8 | 15.7 | 32.6 | 10.6 | 32.6 | ↑ |
| 3.9 | 15.7 | 32.5 | 10.6 | 32.5 | ↑ |
| 4.0 | 15.6 | 32.3 | 10.5 | 32.3 | ↑ |
| 4.1 | 15.6 | 32.2 | 10.5 | 32.2 | ↑ |
| 4.2 | 15.5 | 32.0 | 10.5 | 32.0 | ↑ |
| 4.3 | 15.4 | 31.9 | 10.4 | 31.9 | ↑ |
| 4.4 | 15.4 | 31.8 | 10.4 | 31.8 | ↑ |
| 4.5 | 15.3 | 31.7 | 10.3 | 31.7 | ↑ |
| 4.6 | 15.3 | 31.5 | 10.3 | 31.5 | ↑ |
| 4.7 | 15.2 | 31.4 | 10.3 | 31.4 | ↑ |
| 4.8 | 15.2 | 31.3 | 10.2 | 31.3 | ↑ |
| 4.9 | 15.1 | 31.2 | 10.2 | 31.2 | ↑ |
| 5.0 | 15.1 | 30.1 | 10.2 | 30.1 | ↑ |

■ TEST CIRCUITS

CIRCUIT①



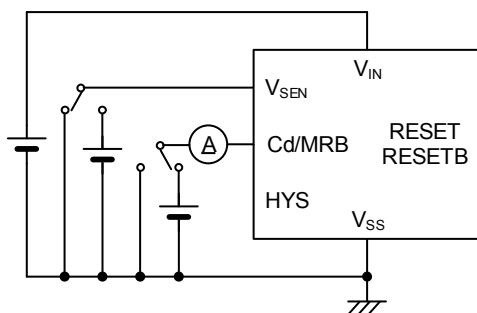
CIRCUIT②



CIRCUIT③



CIRCUIT④



**RESET* is A/B/C/D/L type, and *RESETB* is E/F/H/K/M type.

TEST CIRCUITS (Continued)

CIRCUIT⑤



CIRCUIT⑥



CIRCUIT⑦



CIRCUIT⑧



*"RESET" is A/B/C/D/L type, and "RESETB" is E/F/H/K/M type.

■ TEST CIRCUITS (Continued)

CIRCUIT⑨



CIRCUIT⑩



CIRCUIT⑪

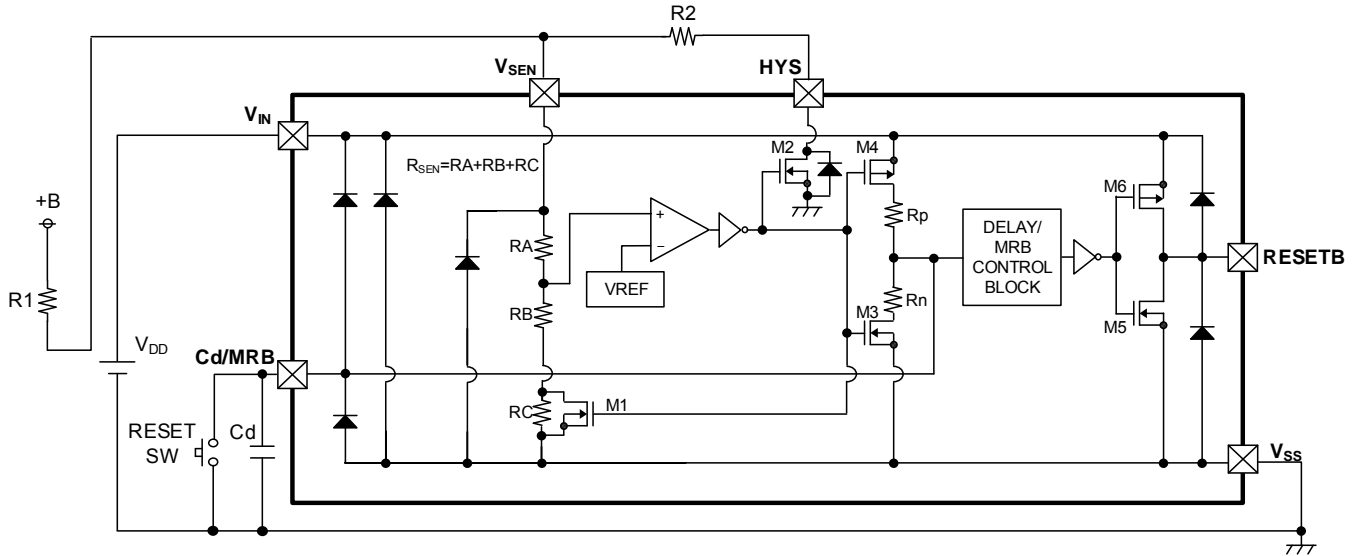


*"RESET" is A/B/C/D/L type, and "RESETB" is E/F/H/K/M type.

OPERATIONAL DESCRIPTION

<Basic Operation>

Fig. 1 shows a typical block diagram. Fig. 2 shows the timing chart of Fig. 1.



* The XC6134N series (N-ch open drain output) requires a resistor to pull up the output.

Fig. 1: Typical block diagram (Active Low product)

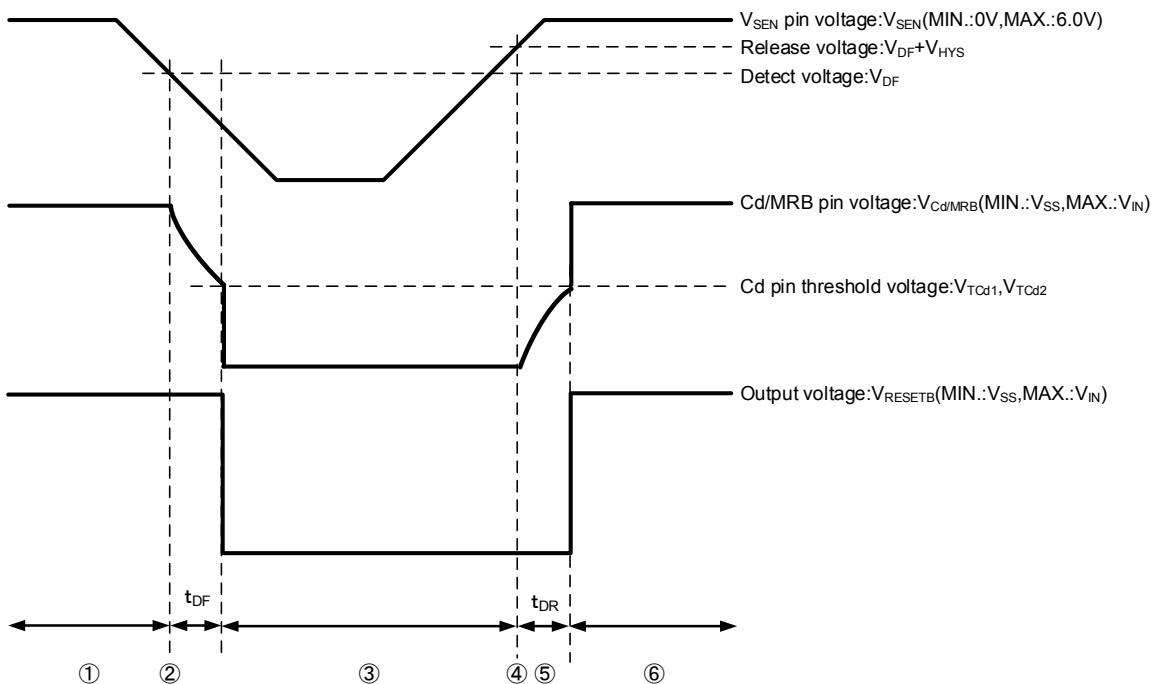


Fig. 2: Timing chart of Fig. 1 ($V_{IN}=6.0V$, Active Low product)

① In the initial state, a voltage that is sufficiently high (MAX.:6.0V) with respect to the release voltage is applied to the V_{SEN} pin, and the delay capacitance Cd is charged up to the power input pin voltage.

The V_{SEN} pin voltage starts to fall, and during the time until it reaches the detect voltage ($V_{SEN} > V_{DF}$),

V_{RESETB} is High level (= V_{IN}).

Note: If the pull-up resistor is connected to a power supply other than the power input pin V_{IN} when using the Nch open drain output (XC6134N), High level will be the voltage of the power supply to which the pull-up resistor is connected.

■ OPERATIONAL DESCRIPTION (Continued)

②The V_{SEN} pin voltage continues to drop, and when it reaches the detect voltage ($V_{SEN}=V_{DF}$), the Nch transistor for delay capacitance discharge turns ON, and discharge of the delay capacitance C_d starts through the delay resistor R_n .

The time from $V_{SEN}=V_{DF}$ until V_{RESETB} reaches Low level is the detect delay time t_{DF} (the detect time when the capacitor is not connected to the C_d/MRB pin is t_{DF0}). The delay capacitance C_d is discharged through the delay resistor R_n when it is above the threshold voltage of V_{TCD2} . When it is below the threshold voltage of V_{TCD2} , the delay capacitance C_d is discharged faster through the internal built-in low impedance switch.

③During the time that the V_{SEN} pin voltage is below the detect voltage V_{DF} , the delay capacitance C_d discharges to ground level. The V_{SEN} pin starts rising again, and during the time until it reaches the release voltage ($V_{SEN}<V_{DF}+V_{HYS}$), V_{RESETB} holds Low level.

④The V_{SEN} pin voltage continues to rise, and when it reaches the release voltage ($V_{DF}+V_{HYS}$), the Nch transistor for delay capacitance discharge turns OFF, and charging of the delay capacitance C_d through the delay resistor R_p starts. The delay capacitance C_d is discharged through the delay resistor R_p when it is below the threshold voltage of V_{TCD1} . When it is above the threshold voltage of V_{TCD1} , the delay capacitance C_d is discharged faster through the internal built-in low impedance switch.

⑤When the delay capacitance pin voltage reaches V_{TCD1} , V_{RESETB} changes to High level.

The time from $V_{SEN}=V_{DF}+V_{HYS}$ until the V_{RESETB} logic changes is the release delay time t_{DR} (the release time when the capacitor is not connected to the C_d/MRB pin is t_{DR0}).

⑥During the time that the V_{SEN} pin voltage is higher than the detect voltage ($V_{SEN}>V_{DF}$), V_{RESETB} holds High level.

The above operation description is for an Active Low detection product.

For an Active High product, reverse the logic of the reset pin.

In the factory shipping state, internal hysteresis is not added ($V_{HYS}=V_{DF}\times 0.001V$ (TYP.)), so please add a hysteresis of 1% or more with an external resistor. For the calculation method, refer to <Hysteresis external adjustment function> below. Also please refer to "Note on use5)6)" as the notes.

<Hysteresis external adjustment function>

Hysteresis can be added as desired by inserting a resistor between the node to monitor and V_{SEN} pin, and between the V_{SEN} pin and HYS pin.

The calculation method for adding hysteresis by increasing only the release voltage and leaving the detect voltage unchanged is given below.

For the circuit schematic, refer to Fig. 3: Hysteresis Augmentation Circuit 1.

$$V_{DR}(H)=V_{DR}(T)\times\{1+(RD/RE)\}$$

$$\text{Hysteresis width}=V_{DR}(H)-V_{DF}(T)$$

Example 1: $RD=200k\Omega$, $RE=200k\Omega$, $V_{DF}(T)=1.000V$, $V_{DR}(T)=1.001V$.

$$V_{DR}(H)=2.002V$$

$$\text{Hysteresis width}=2.002-1.000=1.002V$$

The calculation method for detecting high voltage and adding hysteresis is shown below.

For the circuit schematic, refer to Fig. 4: Hysteresis Augmentation Circuit 2.

$$V_{DF}(H)=V_{DF}(T)\times\{1+(R1/R2)\}$$

$$V_{DR}(H)=V_{DR}(T)\times\{1+(R1/R2)+(R1/R3)\}$$

$$\text{Hysteresis width}=V_{DR}(H)-V_{DF}(H)$$

Example 2: $R1=R3=500k\Omega$, $R2=200k\Omega$, $V_{DF}(T)=2.000V$, $V_{DR}(T)=2.002V$.

$$V_{DF}(H)=7.0V$$

$$V_{DR}(H)=9.009V$$

$$\text{Hysteresis width}=9.009-7.0=2.009V$$

(Note 1) $V_{DF}(H)$ is the detect voltage after external adjustment.

(Note 2) $V_{DR}(H)$ is the release voltage after external adjustment.

(Note 3) $V_{DR}(T)$ is the release voltage.

(Note 4) $V_{DF}(T)$ is the detect voltage.

(Note 5) The $R2$ resistance is in parallel with the internal R_{SEN} resistance, and thus to increase the accuracy of the detect voltage and release voltage after external adjustment, select an $R2$ resistance that is sufficiently small with respect to the R_{SEN} resistance. For R_{SEN} resistance values, refer to SPEC TABLE (p.10).

(Note 6) If high voltage is to be detected, divide the voltage with resistors $R1$ and $R2$ so that V_{SEN} pin $\leq 6V$. The battery voltage (+B) assumes up to 12V in this case.



Fig. 3: Hysteresis Augmentation Circuit 1



Fig. 4: Hysteresis Augmentation Circuit 2

OPERATIONAL DESCRIPTION (Continued)

<Release delay time / detect delay time>

The release delay time and detect delay time are determined by the delay resistors (R_p and R_n) and the delay capacitance C_d . The ratio of the delay resistances (R_p and R_n) is selectable from 5 options. The delay time is adjustable using the combination of delay resistance and delay capacitance value. (Refer to "Selection Guide")

The release delay time (t_{DR}) is calculated using Equation (1).

$$t_{DR} = R_p \times C_d \times \{-\ln(1 - V_{TCd1}/V_{IN})\} + t_{DR0} \dots (1) \quad * \ln \text{ is the natural logarithm.}$$

The delay capacitance pin threshold voltage is $V_{TCd1} = V_{IN}/2$ (TYP.), and thus when

t_{DR0} can be neglected, the release delay time can be calculated simply using Equation (2).

$$t_{DR} = R_p \times C_d \times \{-\ln\{1 - (V_{IN}/2)/V_{IN}\}\} = R_p \times C_d \times 0.693 \dots (2)$$

The detect delay time (t_{DF}) is calculated using Equation (3).

$$t_{DF} = R_n \times C_d \times \{-\ln(V_{TCd2}/V_{IN})\} + t_{DF0} \dots (3) \quad * \ln \text{ is the natural logarithm.}$$

The delay capacitance pin threshold voltage is $V_{TCd2} = V_{IN}/2$ (TYP.), and thus when

t_{DF0} can be neglected, the detect delay can be calculated simply using Equation (4).

$$t_{DF} = R_n \times C_d \times \{-\ln(V_{IN}/2)/V_{IN}\} = R_n \times C_d \times 0.693 \dots (4)$$

Example 3: When type A is selected ($R_p : R_n = 144k\Omega : 0\Omega$), the delay times are as follows:

If C_d is set to $0.1\mu F$,

$$t_{DR} = 144 \times 10^3 \times 0.1 \times 10^{-6} \times 0.693 = 10\text{ms}$$

t_{DF} is the detect delay time (t_{DF0}) when the delay capacitance C_d is not connected.

Example 4: When type B is selected ($R_p : R_n = 144k\Omega : 18k\Omega$), the delay times are as follows:

If C_d is set to $0.1\mu F$,

$$t_{DR} = 144 \times 10^3 \times 0.1 \times 10^{-6} \times 0.693 = 10\text{ms}$$

$$t_{DF} = 18 \times 10^3 \times 0.1 \times 10^{-6} \times 0.693 = 1.25\text{ms}$$

(Note 7) The release delay times t_{DR} in Examples 3 and 4 are the values calculated from Equation (2).

(Note 8) The detect delay time t_{DF} in Example 4 is the value calculated from Equation (4).

(Note 9) Note that the delay times will vary depending on the actual capacitance value of the delay capacitance C_d .

<Manual reset function>

The C_d /MRB pin can also be used as a manual reset pin.

When the C_d and RESET switch are connected to the C_d /MRB pin (refer to Fig.1), and under the release condition, if the RESET switch turns on, then the detect signal is generated at the RESET/RESETB pin forcibly.

For Active Low type (RESETB), under the release condition, if the RESET switch turns on, then the voltage at the RESETB pin changes from H to L after the detect delay time.

And for Active High type (RESET), under the release condition, if the RESET switch turns on, then the voltage at the RESET pin changes from L to H after the detect delay time.

Under the detect condition, the condition will be kept even if the RESET switch turns on and off.

In the case that either H level or L level is fed to the C_d /MRB pin without the RESET switch, the behavior of the XC6134 follows the timing chart in Fig. 5.

L level is fed to MRB pin under the detect condition, the RESET switch will be kept.

H level is fed to MRB pin under the detect condition, the RESET switch will be undefined.

Even though the voltage at the V_{SEN} pin changes from a higher voltage than the detect voltage to a lower voltage, as long as H level is fed to the MRB pin, the release condition is kept.

If H level or L level is fed to the C_d /MRB pin forcibly, then even though C_d is connected to the pin, the XC6134 can't have any delay time.

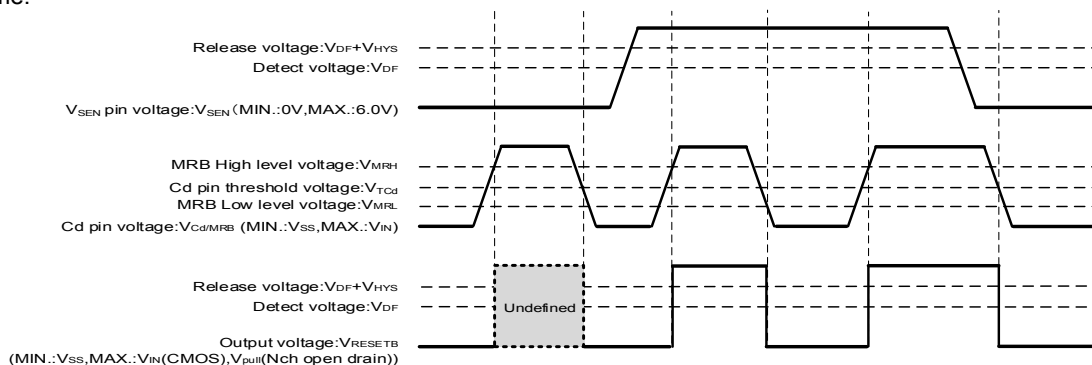


Fig. 5: Manual reset operation using the C_d /MRB pin ($V_{IN} = 6.0V$, Active Low product)

■ NOTES ON USE

- 1) Please use this IC within the stated maximum ratings. For temporary, transitional voltage drop or voltage rising phenomenon, the IC is liable to malfunction should the ratings be exceeded.
- 2) The power input pin voltage may fall due to the flow through current during IC operation and the resistance component between the power supply and the power input pin.
In the case of CMOS output, a drop in the power input pin voltage may occur in the same way due to the output current. When this happens, if the power input pin voltage drops below the minimum operating voltage, a malfunction may occur.
- 3) Note that large, sharp changes of the power input pin voltage may lead to malfunction.
- 4) Power supply noise is sometimes a cause of malfunction. Sufficiently test using the actual device, such as inserting a capacitor between V_{IN} and GND.
- 5) Internal hysteresis is not initially included with the product. Connect external resistors to the V_{SEN} pin and HYS pin to add a hysteresis of 1% or more. Note that if hysteresis is not added with external resistors, oscillation will occur when switching takes place at the detect voltage or the release voltage.
- 6) There is a possibility that oscillation will occur if the resistances of the V_{SEN} pin and HYS pin are high. Use a resistance of 1M Ω or less between the node to monitor and V_{SEN} pin, and between the V_{SEN} pin and HYS pin.
- 7) Exercise caution if V_{IN} and V_{SEN} are started in common, as the output will be undefined until V_{IN} reaches the operating voltage.
- 8) For a manual reset function, in case when the function is activated by feeding either MRB H level or MRB L level to Cd/MRB pin instead of using a reset switch, please note these phenomena below;
 - The RESET output signal will be undefined when MRB H is fed to Cd/MRB pin under the detect condition.
 - The RESET output signal will be undefined based on the voltage relationship between V_{SEN} pin and Cd/MRB pin.
- 9) When an N-ch open drain output is used, the V_{RESETB} voltage at detection and release is determined by the pull-up resistance connected to the output pin. Refer to the following when selecting the resistance value.

At detection:

$$V_{RESETB} = V_{pull} / (1 + R_{pull} / R_{ON})$$

V_{pull} : Voltage after pull-up
 $R_{ON}^{(*)}$: ON resistance of N-ch driver M5 (calculated from V_{RESETB} / I_{RBOUTN} based on electrical characteristics)

Example: When $V_{IN} = 2.0V^{(**)}$, $R_{ON} = 0.3 / 4.2 \times 10^{-3} = 71.4\Omega$ (MAX.).
 If it is desired to make V_{RESETB} at detection 0.1V or less when V_{pull} is 3.0V,
 $R_{pull} = \{ (V_{pull} / V_{RESETB}) - 1 \} \times R_{ON} = \{ (3 / 0.1) - 1 \} \times 71.4 \approx 2.1k\Omega$

Therefore, to make the output voltage at detection 0.1V or less under the above conditions, the pull-up resistance must be 2.1k Ω or higher.

(*) Note that R_{ON} becomes larger as V_{IN} becomes smaller.
 (**) For V_{IN} in the calculation, use the lowest value of the input voltage range you will use.

At release:

$$V_{RESETB} = V_{pull} / (1 + R_{pull} / R_{off})$$

V_{pull} : Voltage after pull-up

R_{off} : Resistance when N-ch driver M5 is OFF (calculated from V_{RESETB} / I_{LEAKN} based on electrical characteristics)

Example: When V_{pull} is 6.0V, $R_{off} = 6 / (0.1 \times 10^{-6}) = 60M\Omega$ (MIN.). If it is desired to make V_{RESETB} 5.99V or higher,

$$R_{pull} = \{ (V_{pull} / V_{RESETB}) - 1 \} \times R_{off} = \{ (6 / 5.99) - 1 \} \times 60 \times 10^6 \approx 100k\Omega$$

Therefore, to make the output voltage at release 5.99V or higher under the above conditions, the pull-up resistance must be 100k Ω or less.

- 10) If the discharge time of the delay capacitance Cd at detection is short and the delay capacitance Cd cannot be discharged to ground level, charging will take place at the next release operation with electric charge remaining in the delay capacitance Cd, and this may cause the release delay time to become noticeably short.
- 11) If the charging time of the delay capacitance Cd at release is short and the delay capacitance Cd cannot be charged to the V_{IN} level, the delay capacitance Cd will discharge from less than the V_{IN} level at the next detection operation, and this may cause the detect delay time to become noticeably short.

12) Torex places an importance on improving our products and their reliability. We request that users incorporate fail-safe designs and post-aging protection treatment when using Torex products in their systems.

TYPICAL PERFORMANCE CHARACTERISTICS

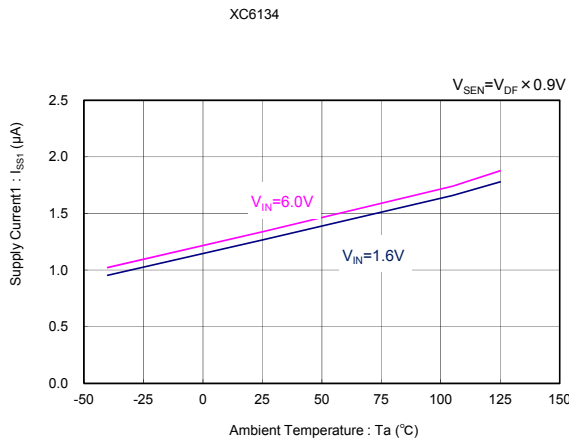
(1) Detect, Release Voltage vs. Ambient Temperature



(2) Output Voltage vs Sense Voltage



(3) Supply Current vs. Ambient Temperature

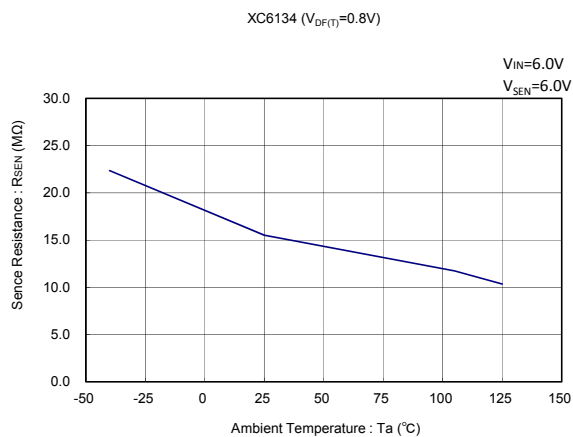


TYPICAL PERFORMANCE CHARACTERISTICS (Continued)

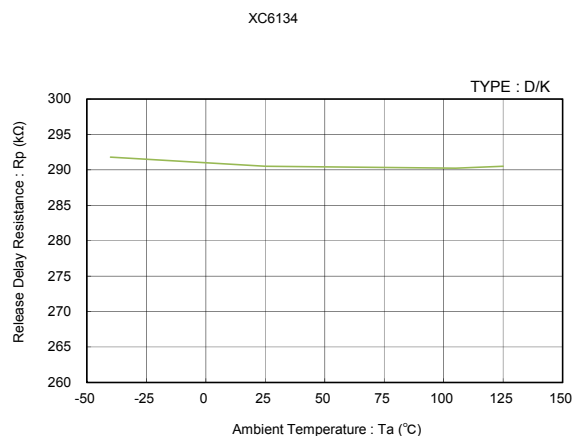
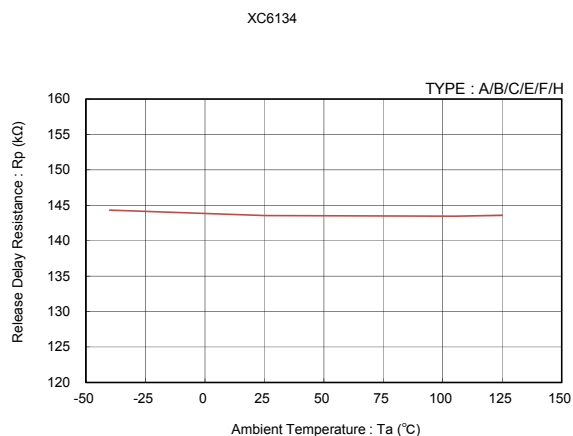
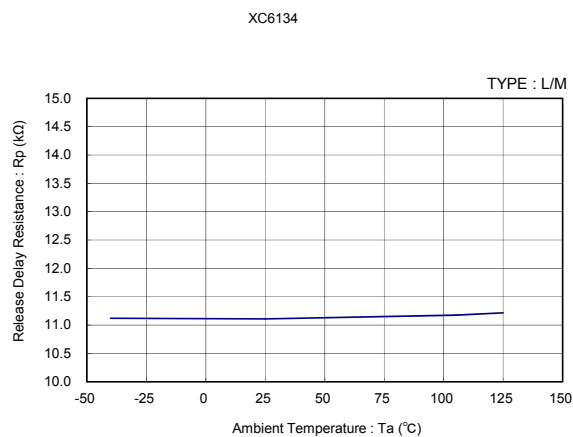
(4) Supply Current vs. Input Voltage



(5) Sense Resistance vs Ambient Temperature



(6) Delay Resistance vs Ambient Temperature

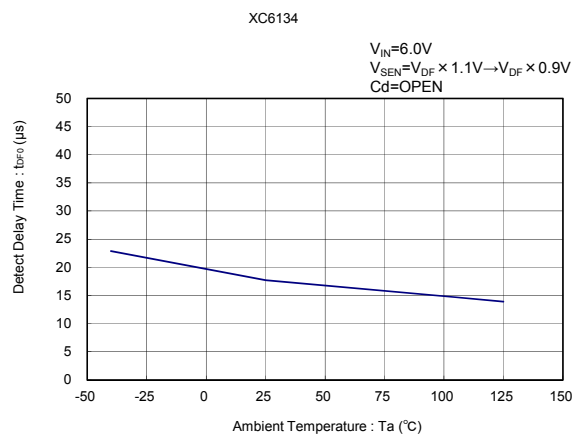
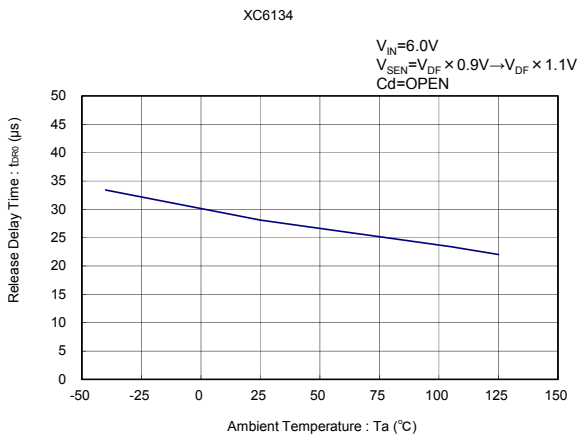


TYPICAL PERFORMANCE CHARACTERISTICS (Continued)

(6) Delay Resistance vs Ambient Temperature (Continued)



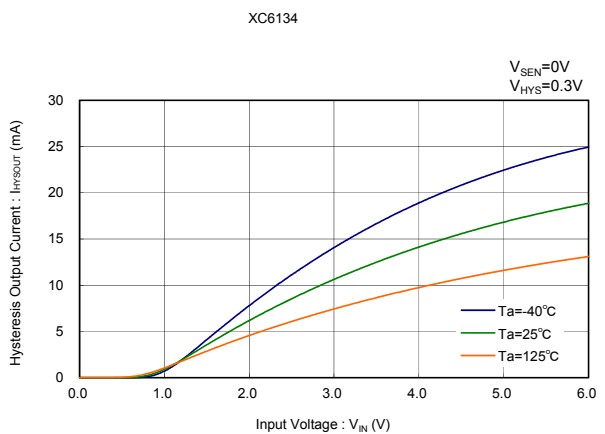
(7) Delay Time vs Ambient Temperature



(8) Hysteresis Output Current vs Ambient Temperature



(9) Hysteresis Output Current vs Input Voltage



TYPICAL PERFORMANCE CHARACTERISTICS (Continued)

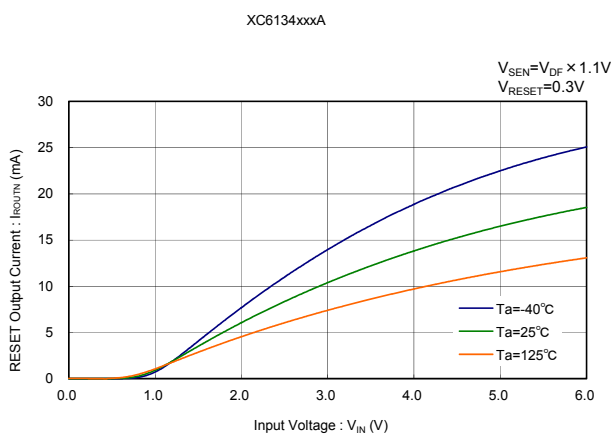
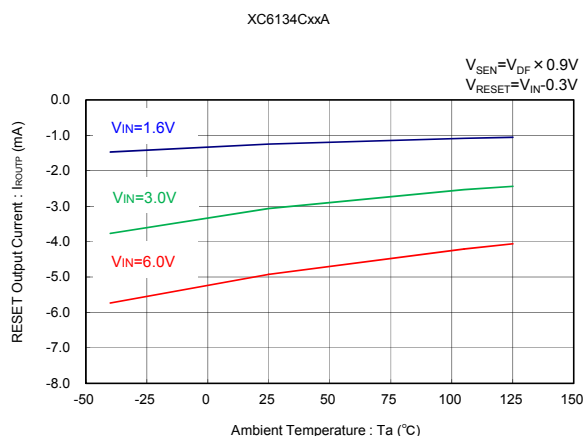
(10) Hysteresis Output Leakage Current vs Ambient Temperature



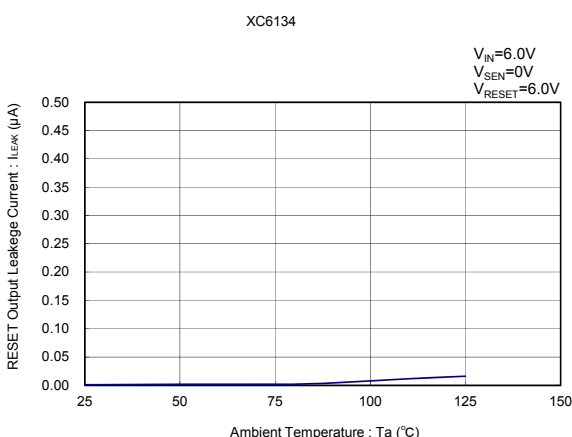
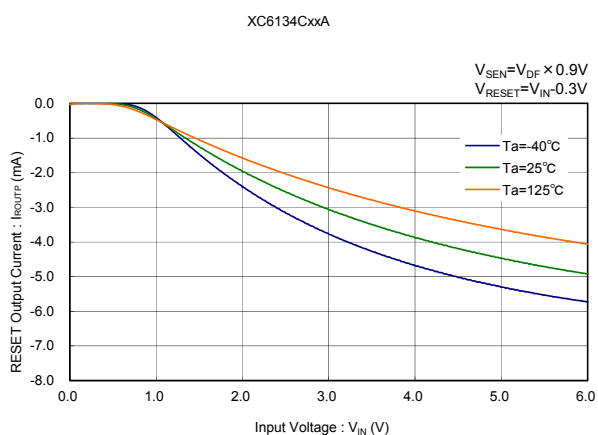
(11) RESET Output Current vs Ambient Temperature



(12) RESET Output Current vs Input Voltage

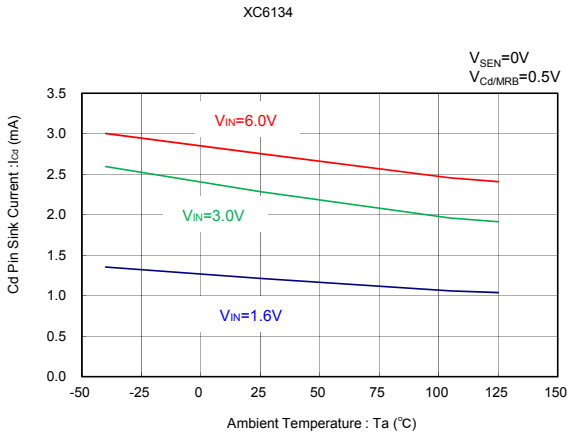


(13) RESET Output Leakage Current vs Ambient Temperature



TYPICAL PERFORMANCE CHARACTERISTICS (Continued)

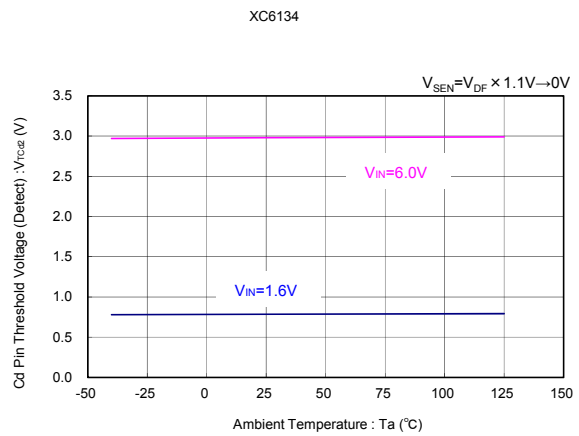
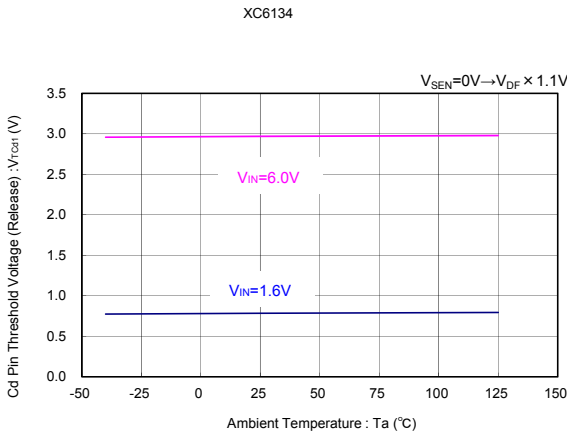
(14) Cd Pin Sink Current vs Ambient Temperature



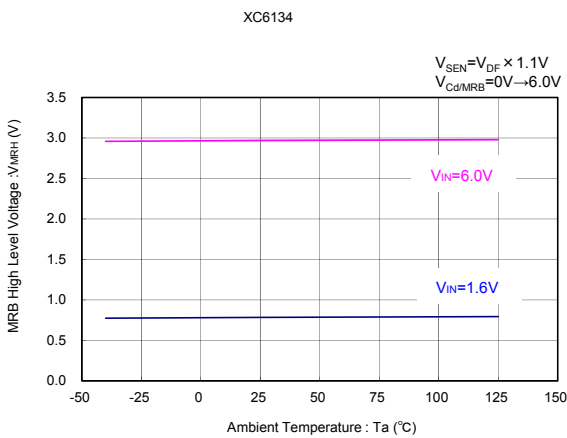
(15) Cd Pin Sink Current vs Input Voltage



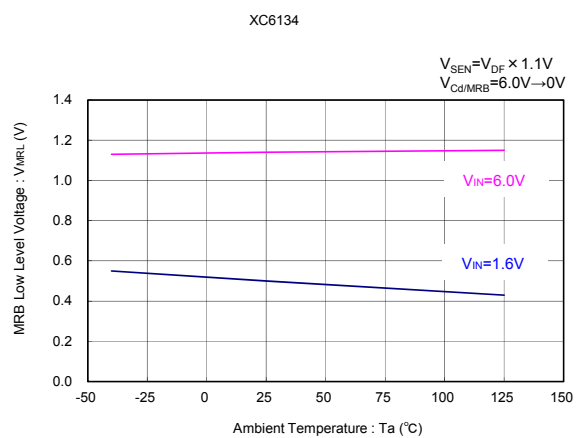
(16) Cd Pin Threshold Voltage vs Ambient Temperature



(17) MRB High Level Threshold Voltage vs Ambient Temperature



(18) MRB Low Level Threshold Voltage vs Ambient Temperature

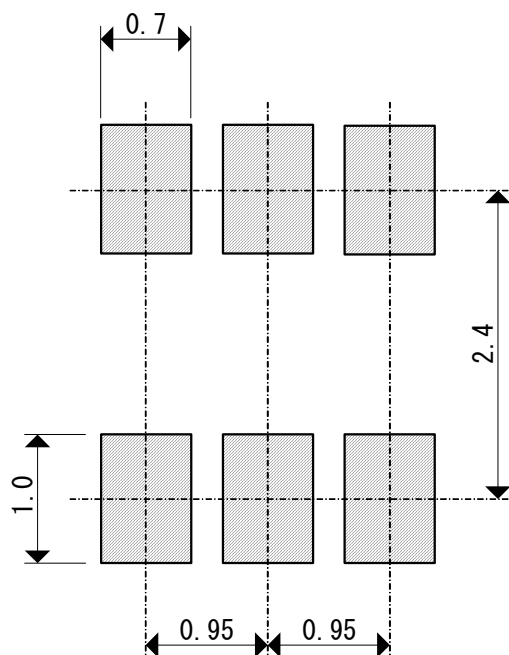


■ PACKAGING INFORMATION

● SOT-26 (unit:mm)



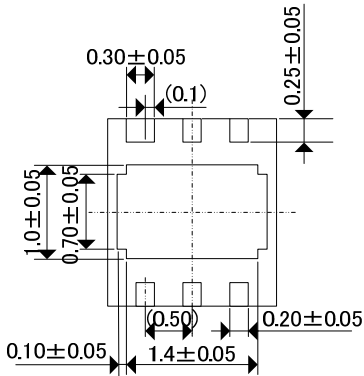
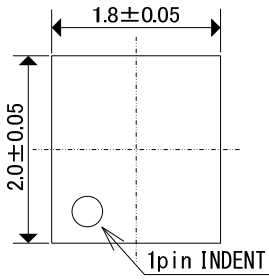
● SOT-26 Reference Pattern Layout (unit:mm)



XC6134 Series

PACKAGING INFORMATION (Continued)

● USP-6C (unit:mm)



● USP-6C Reference Pattern Layout (unit:mm)



● USP-6C Reference Metal Mask Design



■ PACKAGING INFORMATION (Continued)

● SOT-26 Power Dissipation (Topmax+125°C)

Power dissipation data for the SOT-26 is shown in this page.
The value of power dissipation varies with the mount board conditions.
Please use this data as the reference data taken in the following condition.

1. Measurement Condition

- Condition: Mount on a board
- Ambient: Natural convection
- Soldering: Lead (Pb) free
- Board: Dimensions 40 x 40 mm (1600 mm² in one side)
Copper (Cu) traces occupy 50% of the board area
In top and back faces
(Board of SOT-26 is used)
- Material: Glass Epoxy (FR-4)
- Thickness: 1.6mm
- Through-hole 4 x 0.8 Diameter



Evaluation Board (Unit: mm)

2. Power Dissipation vs. Ambient Temperature

Board Mount (Tjmax=125°C)

| Ambient Temperature (°C) | Power Dissipation Pd (mW) | Thermal Resistance (°C/W) |
|--------------------------|---------------------------|---------------------------|
| 25 | 600 | 166.67 |
| 85 | 240 | |



PACKAGING INFORMATION (Continued)

● USP-6C Power Dissipation (Topmax+125°C)

Power dissipation data for the USP-6C is shown in this page.
The value of power dissipation varies with the mount board conditions.
Please use this data as the reference data taken in the following condition.

1. Measurement Condition

- Condition: Mount on a board
- Ambient: Natural convection
- Soldering: Lead (Pb) free
- Board: Dimensions 40 x 40 mm (1600 mm² in one side)
Copper (Cu) traces occupy 50% of the board area
In top and back faces
(Board of SOT-26 is used)
- Material: Glass Epoxy (FR-4)
- Thickness: 1.6mm



Evaluation Board (Unit: mm)

2. Power Dissipation vs. Ambient Temperature

Board Mount (T_{jmax}=125°C)

| Ambient Temperature (°C) | Power Dissipation Pd (mW) | Thermal Resistance (°C/W) |
|--------------------------|---------------------------|---------------------------|
| 25 | 1000 | 100.00 |
| 85 | 400 | |

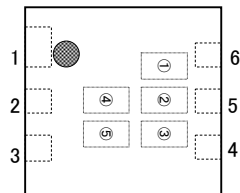


MARKING RULE

SOT-26



USP-6C



① represents products series

| MARK | PRODUCT SERIES |
|------|----------------|
| X | XC6134*****-G |

②,③ represents internal sequential number

01, ..., 09, 10, ..., 99, A0, ..., A9, B0, ..., B9, ..., Z9... repeated.
(G, I, J, O, Q, W excluded)

④,⑤ represents production lot number

01~09, 0A~0Z, 11~9Z, A1~A9, AA~AZ, B1~ZZ in order.
(G, I, J, O, Q, W excluded)

* No character inversion used.

1. The products and product specifications contained herein are subject to change without notice to improve performance characteristics. Consult us, or our representatives before use, to confirm that the information in this datasheet is up to date.
2. We assume no responsibility for any infringement of patents, patent rights, or other rights arising from the use of any information and circuitry in this datasheet.
3. Please ensure suitable shipping controls (including fail-safe designs and aging protection) are in force for equipment employing products listed in this datasheet.
4. The products in this datasheet are not developed, designed, or approved for use with such equipment whose failure of malfunction can be reasonably expected to directly endanger the life of, or cause significant injury to, the user.
(e.g. Atomic energy; aerospace; transport; combustion and associated safety equipment thereof.)
5. Please use the products listed in this datasheet within the specified ranges.
Should you wish to use the products under conditions exceeding the specifications, please consult us or our representatives.
6. We assume no responsibility for damage or loss due to abnormal use.
7. All rights reserved. No part of this datasheet may be copied or reproduced without the prior permission of TOREX SEMICONDUCTOR LTD.

TOREX SEMICONDUCTOR LTD.



Компания «ЭлектроПласт» предлагает заключение долгосрочных отношений при поставках импортных электронных компонентов на взаимовыгодных условиях!

Наши преимущества:

- Оперативные поставки широкого спектра электронных компонентов отечественного и импортного производства напрямую от производителей и с крупнейших мировых складов;
- Поставка более 17-ти миллионов наименований электронных компонентов;
- Поставка сложных, дефицитных, либо снятых с производства позиций;
- Оперативные сроки поставки под заказ (от 5 рабочих дней);
- Экспресс доставка в любую точку России;
- Техническая поддержка проекта, помощь в подборе аналогов, поставка прототипов;
- Система менеджмента качества сертифицирована по Международному стандарту ISO 9001;
- Лицензия ФСБ на осуществление работ с использованием сведений, составляющих государственную тайну;
- Поставка специализированных компонентов (Xilinx, Altera, Analog Devices, Intersil, Interpoint, Microsemi, Aeroflex, Peregrine, Syfer, Eurofarad, Texas Instrument, Miteq, Cobham, E2V, MA-COM, Hittite, Mini-Circuits, General Dynamics и др.);

Помимо этого, одним из направлений компании «ЭлектроПласт» является направление «Источники питания». Мы предлагаем Вам помощь Конструкторского отдела:

- Подбор оптимального решения, техническое обоснование при выборе компонента;
- Подбор аналогов;
- Консультации по применению компонента;
- Поставка образцов и прототипов;
- Техническая поддержка проекта;
- Защита от снятия компонента с производства.



Как с нами связаться

Телефон: 8 (812) 309 58 32 (многоканальный)

Факс: 8 (812) 320-02-42

Электронная почта: org@eplast1.ru

Адрес: 198099, г. Санкт-Петербург, ул. Калинина, дом 2, корпус 4, литера А.