



## MICRF002/RF022

300-440MHz QwikRadio® ASK Receiver



### General Description

The MICRF002 is a single chip ASK/OOK (ON-OFF Keyed) RF receiver IC. This device is a true “antenna-in to data-out” monolithic device. All RF and IF tuning is accomplished automatically within the IC which eliminates manual tuning and reduces production costs. The result is a highly reliable yet low cost solution.

The MICRF002 is a fully featured part in 16-pin packaging, the MICRF022 is the same part packaged in 8-pin packaging with a reduced feature set (see “Ordering Information” for more information).

The MICRF002 is an enhanced version of the MICRF001 and MICRF011. The MICRF002 provides two additional functions over the MICRF001/011, (1) a Shutdown pin, which may be used to turn the device off for duty-cycled operation, and (2) a “Wake-up” output, which provides an output flag indicating when an RF signal is present. These features make the MICRF002 ideal for low and ultra-low power applications, such as RKE and remote controls.

All IF filtering and post-detection (demodulator) data filtering is provided within the MICRF002, so no external filters are necessary. One of four demodulator filter bandwidths may be selected externally by the user.

The MICRF002 offer two modes of operation; fixed-mode (FIX) and sweep-mode (SWP). In fixed-mode the MICRF002 functions as a conventional superhet receiver. In sweep-mode the MICRF002 employs a patented sweeping function to sweep a wider RF spectrum. Fixed-mode provides better selectivity and sensitivity performance and sweep-mode enables the MICRF002 to be used with low cost, imprecise transmitters.

Data sheets and support documentation can be found on Micrel’s web site at: [www.micrel.com](http://www.micrel.com).

### Features

- 300MHz to 440MHz frequency range
- Data-rate up to 10kbps (fixed-mode)
- Low Power Consumption
- 2.2mA fully operational (315MHz)
- 0.9µA in shutdown
- 220µA in polled operation (10:1 duty-cycle)
- Wake-up output flag to enable decoders and microprocessors
- Very low RF re-radiation at the antenna
- Highly integrated with extremely low external part count

### Applications

- Automotive remote keyless entry (RKE)
- Remote controls
- Remote fan and light control
- Garage door and gate openers

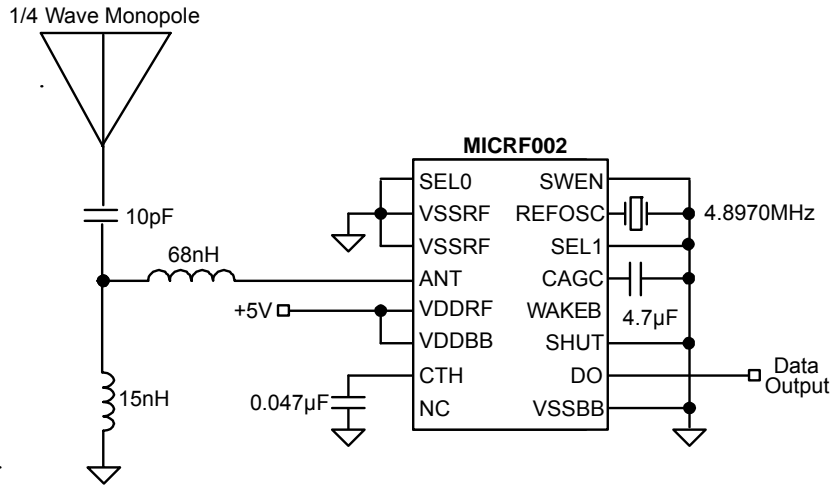
### Ordering Information

Part Number	Demodulator Bandwidth	Operating Mode	Shutdown	WAKEB Output Flag	Package	Lead Finish
MICRF002YM	User Programmable	Fixed or Sweep	Yes	Yes	16-Pin SOIC	Pb-Free
MICRF022YM-SW48	5000Hz	Sweep	No	Yes	8-Pin SOIC	Pb-Free
MICRF022YM-FS12	1250Hz	Fixed	Yes	No	8-Pin SOIC	Pb-Free
MICRF022YM-FS24	2500Hz	Fixed	Yes	No	8-Pin SOIC	Pb-Free
MICRF022YM-FS48	5000Hz	Fixed	Yes	No	8-Pin SOIC	Pb-Free

QwikRadio is a registered trademark of Micrel, Inc. The QwikRadio ICs were developed under a partnership agreement with AIT of Orlando, FL.

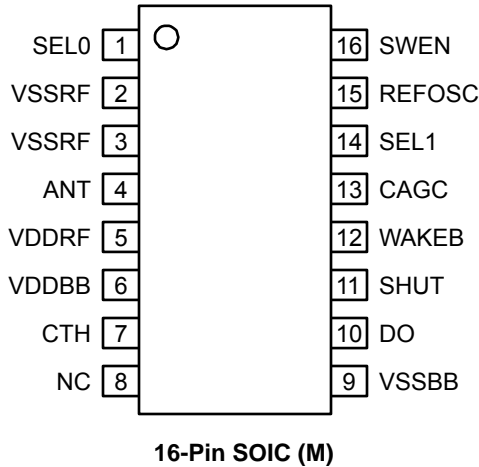
Micrel Inc. • 2180 Fortune Drive • San Jose, CA 95131 • USA • tel +1 (408) 944-0800 • fax + 1 (408) 474-1000 • <http://www.micrel.com>

## Typical Application

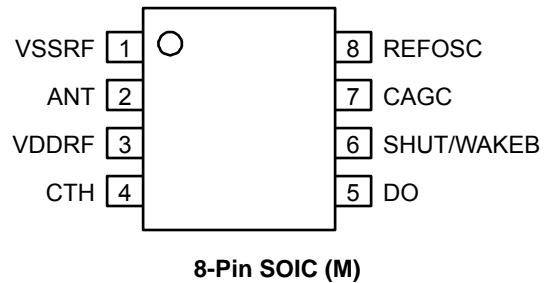


315MHz 800bps On-Off Keyed Receiver

## Pin Configuration



16-Pin SOIC (M)



8-Pin SOIC (M)

## 8-Pin Options

The standard 16-pin package allows complete control of all configurable features. Some reduced function 8-pin versions are also available, see "Ordering Information" on page 1.

For high-volume applications additional customized 8-pin devices can be produced. SWEN, SEL0 and SEL1 pins are internally bonded to reduce the pin count; pin 6 may be configured as either SHUT or WAKEB

SEL0	SEL1	Demodulator Bandwidth	
		Sweep-Mode	Fixed-Mode
1	1	5000Hz	10000Hz
0	1	2500Hz	5000Hz
1	0	1250Hz	2500Hz
0	0	625Hz	1250Hz

Table 1. Nominal Demodulator Filter Bandwidth vs. SEL0, SEL1 and Operating Mode

## Pin Description

Pin Number SOIC-16	Pin Number SOIC-8	Pin Name	Pin Name
1	–	SEL0	Bandwidth Selection Bit 0 (Digital Input): Used in conjunction with SEL1 to set the desired demodulator filter bandwidth. See Table 1. Internally pulled-up to VDDRF.
2, 3	1	VSSRF	RF Power Supply: Ground return to the RF section power supply.
4	2	ANT	Antenna (Analog Input): For optimal performance the ANT pin should be impedance matched to the antenna. See “Applications Information” for information on input impedance and matching techniques.
5	3	VDDRF	RF Power Supply: Positive supply input for the RF section of the IC.
6	–	VDDBB	Base-Band Power Supply: Positive supply input for the baseband section (digital section) of the IC.
7	4	CTH	Data Slicing Threshold Capacitor (Analog I/O): Capacitor connected to this pin extracts the dc average value from the demodulated waveform which becomes the reference for the internal data slicing comparator.
8	–	NC	Not internally connected
9	–	VSSBB	Base-Band Power Supply: Ground return to the baseband section power supply.
10	5	DO	Data Output (Digital Output)
11	6	SHUT	Shutdown (Digital Input): Shutdown-mode logic-level control input. Pull low to enable the receiver. Internally pulled-up to VDDRF.
12	–	WAKEB	Wakeup (Digital Output): Active-low output that indicates detection of an incoming RF signal.
13	7	CAGC	Automatic Gain Control (Analog I/O): Connect an external capacitor to set the attack/decay rate of the on-chip automatic gain control.
14	–	SEL1	Bandwidth Selection Bit 1 (Digital Input): Used in conjunction with SEL0 to set the desired demodulator filter bandwidth. See Table 1. Internally pulled-up to VDDRF.
15	8	REFOSC	Reference Oscillator: Timing reference, sets the RF receive frequency.
16	–	SWEN	Sweep-Mode Enable (Digital Input): Sweep- or Fixed-mode operation control input. SWEN high= sweep mode; SWEN low = conventional superheterodyne receiver. Internally pulled-up to VDDRF.

**Absolute Maximum Ratings<sup>(1)</sup>**

Supply Voltage ( $V_{DDRF}, V_{DDBB}$ )	+7V
Input/Output Voltage ( $V_{I/O}$ )	$V_{SS}-0.3$ to $V_{DD}+0.3$
Junction Temperature ( $T_J$ )	+150°C
Storage Temperature ( $T_S$ )	-65°C to 150°C
Lead Temperature (soldering, 10 sec.)	260°C
ESD Rating <sup>(3)</sup>	

**Operating Ratings<sup>(2)</sup>**

Supply Voltage ( $V_{DDRF}, V_{DDBB}$ )	+4.75V to +5.5V
RF Frequency Range	300MHz to 440MHz
Data Duty-Cycle	20% to 80%
Reference Oscillator Input Range	0.1V <sub>PP</sub> to 1.5V <sub>PP</sub>
Ambient Temperature ( $T_A$ )	-40°C to +85°C

**Electrical Characteristics<sup>(4)</sup>**

$V_{DDRF} = V_{DDBB} = V_{DD}$  where  $+4.75V \leq V_{DD} \leq 5.5V$ ,  $V_{SS} = 0V$ ;  $C_{AGC} = 4.7\mu F$ ,  $C_{TH} = 100nF$ ;  $SEL0 = SEL1 = V_{SS}$ ; fixed mode ( $SWEN = V_{SS}$ );  $f_{REFOSC} = 4.8970MHz$  (equivalent to  $f_{RF} = 315MHz$ ); data-rate = 1kbps (Manchester encoded).  $T_A = 25^\circ C$ , **bold** values indicate  $-40^\circ C \leq T_A \leq +85^\circ C$ ; current flow into device pins is positive; unless noted.

Symbol	Parameter	Condition	Min	Typ	Max	Units
$I_{OP}$	Operating Current	continuous operation, $f_{RF} = 315MHz$		2.2	<b>3.2</b>	mA
		polled with 10:1 duty cycle, $f_{RF} = 315MHz$		220		$\mu A$
		continuous operation, $f_{RF} = 433.92MHz$		3.5		mA
		polled with 10:1 duty cycle, $f_{RF} = 433.92MHz$		350		$\mu A$
$I_{STBY}$	Standby Current	$V_{SHUT} = V_{DD}$		0.9		$\mu A$
<b>RF Section, IF Section</b>						
	Receiver Sensitivity ( <b>Note 4</b> )	$f_{RF} = 315MHz$		-97		dBm
		$f_{RF} = 433.92MHz$		-95		dBm
$f_{IF}$	IF Center Frequency	<b>Note 6</b>		0.86		MHz
$f_{BW}$	IF Bandwidth	<b>Note 6</b>		0.43		MHz
	Maximum Receiver Input	$R_{SC} = 50\Omega$		-20		dBm
	Spurious Reverse Isolation	ANT pin, $R_{SC} = 50\Omega$ , <b>Note 5</b>		30		$\mu V_{RMS}$
	AGC Attack to Decay Ratio	$t_{ATTACK} \div t_{DECAY}$		0.1		
	AGC Leakage Current	$T_A = +85^\circ C$		$\pm 100$		nA
<b>Reference Oscillator</b>						
$Z_{REFOSC}$	Reference Oscillator Input Impedance	<b>Note 8</b>		290		k $\Omega$
	Reference Oscillator Source Current			5.2		$\mu A$
<b>Demodulator</b>						
$Z_{CTH}$	CTH Source Impedance	<b>Note 7</b>		145		k $\Omega$
$I_{ZCTH(LEAK)}$	CTH Leakage Current	$T_A = +85^\circ C$		$\pm 100$		nA
	Demodulator Filter Bandwidth Sweep Mode (SWEN = VDD or OPEN) <b>Note 6</b>	$V_{SEL0} = V_{DD}$ . $V_{SEL1} = V_{DD}$		4000		Hz
		$V_{SEL0} = V_{SS}$ . $V_{SEL1} = V_{DD}$		2000		Hz
		$V_{SEL0} = V_{DD}$ . $V_{SEL1} = V_{SS}$		1000		Hz
		$V_{SEL0} = V_{SS}$ . $V_{SEL1} = V_{SS}$		500		Hz
	Demodulator Filter Bandwidth Fixed Mode (SWEN = VSS) <b>Note 6</b>	$V_{SEL0} = V_{DD}$ . $V_{SEL1} = V_{DD}$		8000		Hz
		$V_{SEL0} = V_{SS}$ . $V_{SEL1} = V_{DD}$		4000		Hz
		$V_{SEL0} = V_{DD}$ . $V_{SEL1} = V_{SS}$		2000		Hz
		$V_{SEL0} = V_{SS}$ . $V_{SEL1} = V_{SS}$		1000		Hz

Symbol	Parameter	Condition	Min	Typ	Max	Units
<b>Digital/Control Section</b>						
V <sub>IN(high)</sub>	Input-High Voltage	SEL0, SEL1, SWEN			<b>0.8</b>	V <sub>DD</sub>
V <sub>IN(low)</sub>	Input-Low Voltage	SEL0, SEL1, SWEN	<b>0.2</b>			V <sub>DD</sub>
I <sub>OUT</sub>	Output Current	DO, WAKEB pins, push-pull		10		μA
V <sub>OUT(high)</sub>	Output High Voltage	DO, WAKEB pins, I <sub>OUT</sub> = -1μA	<b>0.9</b>			V <sub>DD</sub>
V <sub>OUT(low)</sub>	Output Low Voltage	DO, WAKEB pins, I <sub>OUT</sub> = +1μA			<b>0.1</b>	V <sub>DD</sub>
t <sub>R</sub> , t <sub>F</sub>	Output Rise and Fall Times	DO, WAKEB pins, C <sub>LOAD</sub> = 15pF		10		μs

**Notes:**

- Exceeding the absolute maximum rating may damage the device.
- The device is not guaranteed to function outside its operating rating.
- Devices are ESD sensitive, use appropriate ESD precautions. Meets class 1 ESD test requirements, (human body model HBM), in accordance with MIL-STD-883C, method 3015. Do not operate or store near strong electrostatic fields.
- Sensitivity is defined as the average signal level measured at the input necessary to achieve 10-2 BER (bit error rate). The RF input is assumed to be matched to 50Ω.
- Spurious reverse isolation represents the spurious components which appear on the RF input pin (ANT) measured into 50Ω with an input RF matching network.
- Parameter scales linearly with reference oscillator frequency f<sub>r</sub>.** For any reference oscillator frequency other than 4.8970MHz, compute new parameter value as the ratio:

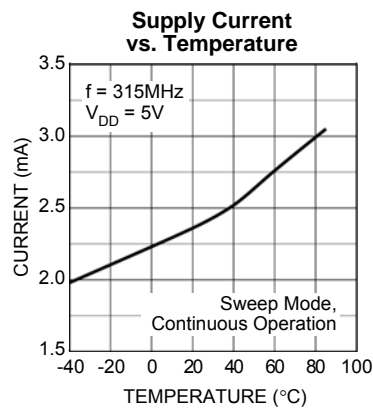
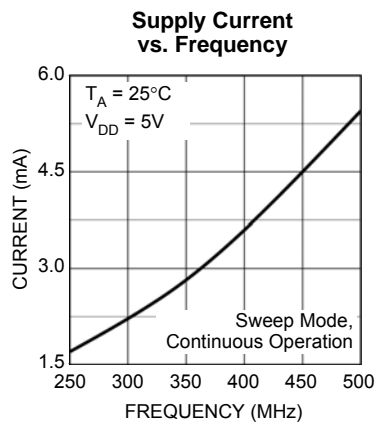
$$\frac{f_{\text{REFOSC}} \text{ MHz}}{4.8970 \text{ MHz}} \times (\text{parameter value at } 4.8970 \text{ MHz})$$

- Parameter scales inversely with reference oscillator frequency f<sub>r</sub>.** For any reference oscillator frequency other than 4.8970MHz, compute new parameter value as the ratio:

$$\frac{4.8970 \text{ MHz}}{f_{\text{REFOSC}} \text{ MHz}} \times (\text{parameter value at } 4.8970 \text{ MHz})$$

- Series resistance of the resonator (ceramic resonator or crystal) should be minimized to the extent possible. In cases where the resonator series resistance is too great, the oscillator may oscillate at a diminished peak-to-peak level, or may fail to oscillate entirely. Micrel recommends that series resistances for ceramic resonators and crystals not exceed 50Ω and 100Ω respectively. Refer to Application Hint 35 for crystal recommendations.

## Typical Characteristics



## Functional Diagram

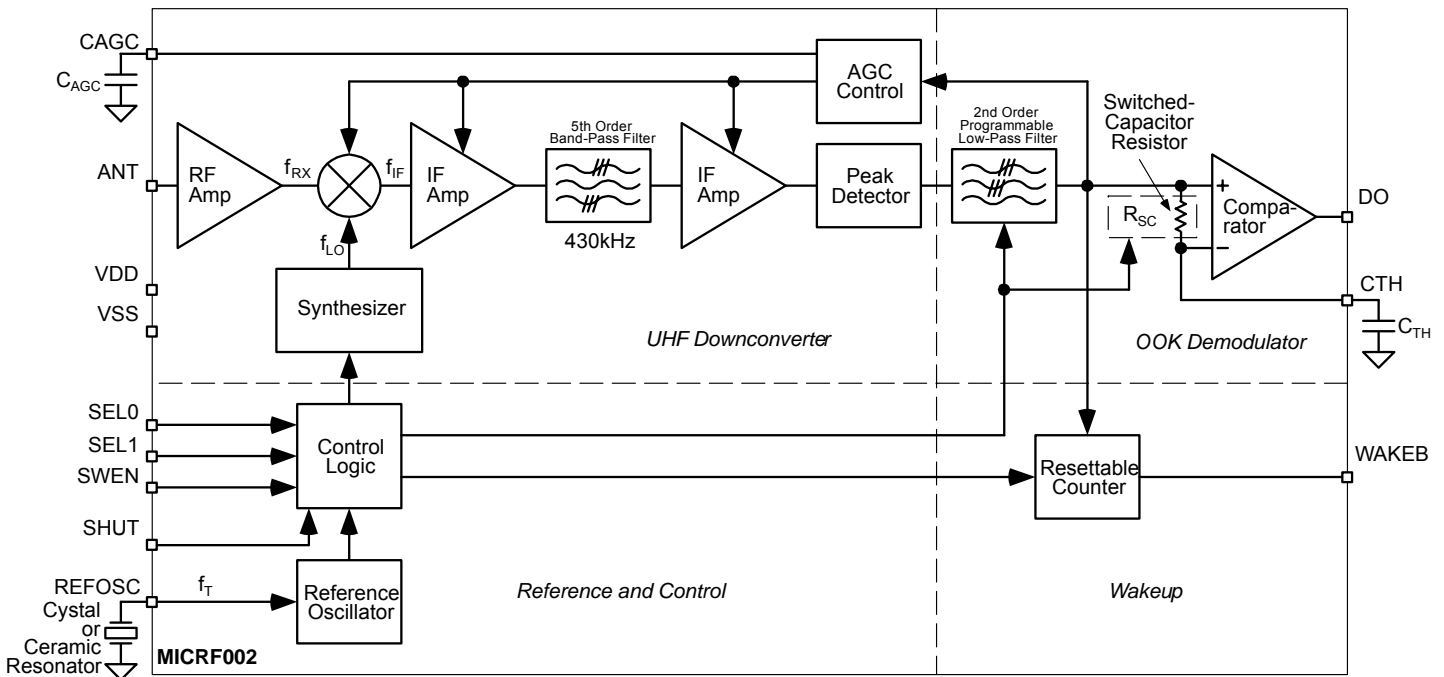


Figure 1. MICRF002 Block Diagram

## Application Information and Functional Description

Refer to Figure 1 “MICRF002 Block Diagram”. Identified in the block diagram are the four sections of the IC: UHF Downconverter, OOK Demodulator, Reference and Control, and Wakeup. Also shown in the figure are two capacitors (C<sub>TH</sub>, C<sub>AGC</sub>) and one timing component, usually a crystal or ceramic resonator. With the exception of a supply decoupling capacitor, and antenna impedance matching network, these are the only external components needed by the MICRF002 to assemble a complete UHF receiver.

For optimal performance is highly recommended that the MICRF002 is impedance matched to the antenna, the matching network will add an additional two or three components.

Four control inputs are shown in the block diagram: SEL0, SEL1, SWEN, and SHUT. Using these logic inputs, the user can control the operating mode and selectable features of the IC. These inputs are CMOS compatible, and are internally pulled-up. IF Bandpass Filter Roll-off response of the IF Filter is 5th order, while the demodulator data filter exhibits a 2<sup>nd</sup> order response.

## Design Steps

The following steps are the basic design steps for using the MICRF002 receiver:

1. Select the operating mode (sweep or fixed)
2. Select the reference oscillator
3. Select the C<sub>TH</sub> capacitor
4. Select the C<sub>AGC</sub> capacitor
5. Select the demodulator filter bandwidth

### Step 1: Selecting the Operating Mode

#### Fixed-Mode Operation

For applications where the transmit frequency is accurately set (that is, applications where a SAW or crystal-based transmitter is used) the MICRF002 may be configured as a standard superheterodyne receiver (fixed mode). In fixed-mode operation the RF bandwidth is narrower making the receiver less susceptible to interfering signals. Fixed mode is selected by connecting SWEN to ground.

#### Sweep-Mode Operation

When used in conjunction with low-cost L-C transmitters the MICRF002 should be configured in sweep-mode. In sweep-mode, while the topology is still superheterodyne, the LO (local oscillator) is swept over a range of frequencies at rates greater than the data rate. This technique effectively increases the RF bandwidth of the

MICRF002, allowing the device to operate in applications where significant transmitter-receiver frequency misalignment may exist. The transmit frequency may vary up to  $\pm 0.5\%$  over initial tolerance, aging, and temperature. In sweep-mode a band approximately 1.5% around the nominal transmit frequency is captured. The transmitter may drift up to  $\pm 0.5\%$  without the need to retune the receiver and without impacting system performance.

The swept-LO technique does not affect the IF bandwidth, therefore noise performance is not degraded relative to fixed-mode. The IF bandwidth is 430kHz whether the device is operating in fixed- or sweep-mode. Due to limitations imposed by the LO sweeping process, the upper limit on data rate in sweep mode is approximately 5.0kbps.

Similar performance is not currently available with crystalbased superheterodyne receivers which can operate only with SAW- or crystal-based transmitters. In sweep-mode, a range reduction will occur in installations where there is a strong interferer in the swept RF band. This is because the process indiscriminately includes all signals within the sweep range. An MICRF002 may be used in place of a superregenerative receiver in most applications.

**Step 2: Selecting the Reference Oscillator**

All timing and tuning operations on the MICRF002 are derived from the internal Colpitts reference oscillator. Timing and tuning is controlled through the REFOSC pin in one of three ways:

1. Connect a ceramic resonator
2. Connect a crystal
3. Drive this pin with an external timing signal

The specific reference frequency required is related to the system transmit frequency and to the operating mode of the receiver as set by the SWEN pin.

**Crystal or Ceramic Resonator Selection**

Do not use resonators with integral capacitors since capacitors are included in the IC, also care should be taken to ensure low ESR capacitors are selected. Application Hint 34 and Application Hint 35 provide additional information and recommended sources for crystals and resonators.

If operating in fixed-mode, a crystal is recommended. In sweep-mode either a crystal or ceramic resonator may be used. When a crystal of ceramic resonator is used the minimum voltage is 300mV<sub>pp</sub>. If using an externally applied signal it should be AC-coupled and limited to the operating range of 0.1V<sub>pp</sub> to 1.5V<sub>pp</sub>.

**Selecting Reference Oscillator Frequency  $f_T$  (Fixed-Mode)**

As with any superheterodyne receiver, the mixing between the internal LO (local oscillator) frequency  $f_{LO}$  and the incoming transmit frequency  $f_{TX}$  ideally must equal the IF center frequency. Equation 1 may be used to compute

the appropriate  $f_{LO}$  for a given  $f_{TX}$ :

$$(1) \quad f_{LO} = f_{TX} \pm \left( 0.86 \frac{f_{TX}}{315} \right)$$

Frequencies  $f_{TX}$  and  $f_{LO}$  are in MHz. Note that two values of  $f_{LO}$  exist for any given  $f_{TX}$ , distinguished as “high-side mixing” and “low-side mixing”. High-side mixing results in an image frequency above the frequency of interest and low-side mixing results in a frequency below.

After choosing one of the two acceptable values of  $f_{LO}$ , use Equation 2 to compute the reference oscillator frequency  $f_T$ :

$$(2) \quad f_T = \frac{f_{LO}}{64.5}$$

Frequency  $f_T$  is in MHz. Connect a crystal of frequency  $f_T$  to REFOSC on the MICRF002. Four-decimal-place accuracy on the frequency is generally adequate. The following table identifies  $f_T$  for some common transmit frequencies when the MICRF002 is operated in fixed mode.

Transmit Frequency $f_{TX}$	Reference Oscillator Frequency $f_T$
315MHz	4.8970MHz
390MHz	6.0630MHz
418MHz	6.4983MHz
433.92MHz	6.7458MHz

**Table 2. Fixed-Mode Recommended Reference Oscillator Values for Typical Transmit Frequencies (high-side mixing)**

**Selecting REFOSC Frequency  $f_T$  (Sweep-Mode)**

Selection of the reference oscillator frequency  $f_T$  in sweep-mode is much simpler than in fixed mode due to the LO sweeping process. Also, accuracy requirements of the frequency reference component are significantly relaxed.

In sweep-mode,  $f_T$  is given by Equation 3:

$$(3) \quad f_T = \frac{f_{LO}}{64.25}$$

In sweep-mode a reference oscillator with frequency accurate to two-decimal-places is generally adequate. A crystal may be used and may be necessary in some cases if the transmit frequency is particularly imprecise.

Transmit Frequency $f_{TX}$	Reference Oscillator Frequency $f_T$
315MHz	4.88MHz
390MHz	6.05MHz
418MHz	6.48MHz
433.92MHz	6.73MHz

**Table 3. Sweep-Mode Recommended Reference Oscillator Values for Typical Transmit Frequencies**



### Step 3: Selecting the $C_{TH}$ Capacitor

Extraction of the dc value of the demodulated signal for purposes of logic-level data slicing is accomplished using the external threshold capacitor  $C_{TH}$  and the on-chip switched capacitor “resistor”  $R_{SC}$ , shown in the block diagram.

Slicing level time constant values vary somewhat with decoder type, data pattern, and data rate, but typically values range from 5ms to 50ms. Optimization of the value of  $C_{TH}$  is required to maximize range.

#### Selecting Capacitor $C_{TH}$

The first step in the process is selection of a data-slicing-level time constant. This selection is strongly dependent on system issues including system decode response time and data code structure (that is, existence of data preamble, etc.). This issue is covered in more detail in Application Note 22.

The effective resistance of  $R_{SC}$  is listed in the electrical characteristics table as  $145k\Omega$  at 315MHz, this value scales linearly with frequency. Source impedance of the  $C_{TH}$  pin at other frequencies is given by Equation 4, where  $f_T$  is in MHz:

$$(4) \quad R_{SC} = 145k\Omega \frac{4.8970}{f_T}$$

$\tau$  of 5x the bit-rate is recommended. Assuming that a slicing level time constant  $\tau$  has been established, capacitor  $C_{TH}$  may be computed using Equation 5:

$$(5) \quad C_{TH} = \frac{\tau}{R_{SC}}$$

A standard  $\pm 20\%$  X7R ceramic capacitor is generally sufficient. Refer to Application Hint 42 for  $C_{TH}$  and  $C_{AGC}$  selection examples.

### Step 4: Selecting the $C_{AGC}$ Capacitor

The signal path has AGC (automatic gain control) to increase input dynamic range. The attack time constant of the AGC is set externally by the value of the  $C_{AGC}$  capacitor connected to the  $C_{AGC}$  pin of the device. To maximize system range, it is important to keep the AGC control voltage ripple low, preferably under  $10mV_{PP}$  once the control voltage has attained its quiescent value. For this reason capacitor values of at least  $0.47\mu F$  are recommended.

The AGC control voltage is carefully managed on-chip to allow duty-cycle operation of the MICRF002. When the device is placed into shutdown mode (SHUT pin pulled high), the AGC capacitor floats to retain the voltage. When operation is resumed, only the voltage droop due to capacitor leakage must be replenished. A relatively low-leakage capacitor is recommended when the devices are used in duty-cycled operation.

To further enhance duty-cycled operation, the AGC push and pull currents are boosted for approximately 10ms immediately after the device is taken out of shutdown. This compensates for AGC capacitor voltage droop and reduces the time to restore the correct AGC voltage. The current is boosted by a factor of 45.

#### Selecting $C_{AGC}$ Capacitor in Continuous Mode

A  $C_{AGC}$  capacitor in the range of  $0.47\mu F$  to  $4.7\mu F$  is typically recommended. The value of the  $C_{AGC}$  should be selected to minimize the ripple on the AGC control voltage by using a sufficiently large capacitor. However if the capacitor is too large the AGC may react too slowly to incoming signals. AGC settling time from a completely discharged (zero-volt) state is given approximately by Equation 6:

$$(6) \quad \Delta t = 1.333C_{AGC} - 0.44$$

where:

$C_{AGC}$  in  $\mu F$ , and  $\Delta t$  is in seconds.

#### Selecting $C_{AGC}$ Capacitor in Duty-Cycle Mode

Voltage droop across the  $C_{AGC}$  capacitor during shutdown should be replenished as quickly as possible after the IC is enabled. As mentioned above, the MICRF002 boosts the push-pull current by a factor of 45 immediately after start-up. This fixed time period is based on the reference oscillator frequency  $f_T$ . The time is 10.9ms for  $f_T = 6.00MHz$ , and varies inversely with  $f_T$ . The value of  $C_{AGC}$  capacitor and the duration of the shutdown time period should be selected such that the droop can be replenished within this 10ms period.

Polarity of the droop is unknown, meaning the AGC voltage could droop up or down. Worst-case from a recovery standpoint is downward droop, since the AGC pull-up current is 1/10th magnitude of the pulldown current. The downward droop is replenished according to the Equation 7:

$$(7) \quad \frac{I}{C_{AGC}} = \frac{\Delta V}{\Delta t}$$

where:

$I$  = AGC pullup current for the initial 10ms ( $67.5\mu A$ )

$C_{AGC}$  = AGC capacitor value

$\Delta t$  = droop recovery time

$\Delta V$  = droop voltage

For example, if user desires  $\Delta t = 10ms$  and chooses a  $4.7\mu F$   $C_{AGC}$ , then the allowable droop is about  $144mV$ . Using the same equation with  $200nA$  worst case pin leakage and assuming  $1\mu A$  of capacitor leakage in the same direction, the maximum allowable  $\Delta t$  (shutdown time) is about 0.56s for droop recovery in 10ms.

The ratio of decay-to-attack time-constant is fixed at 10:1 (that is, the attack time constant is 1/10th of the decay time constant). Generally the design value of 10:1 is adequate

for the vast majority of applications. If adjustment is required the constant may be varied by adding a resistor in parallel with the  $C_{AGC}$  capacitor. The value of the resistor must be determined on a case by case basis.

#### Step 5: Selecting The Demod Filter Bandwidth

The inputs SEL0 and SEL1 control the demodulator filter bandwidth in four binary steps (625Hz to 5000Hz in sweep, 1250Hz to 10000Hz in fixed-mode), see Table 3. Bandwidth must be selected according to the application. The demodulator bandwidth should be set according to Equation 8:

$$(8) \quad \text{Demodulator bandwidth} = \frac{0.65}{\text{Shortest pulse} - \text{width}}$$

It should be noted that the values indicated in Table 1 are nominal values. The filter bandwidth scales linearly with frequency so the exact value will depend on the operating frequency. Refer to the "Electrical Characteristics" for the exact filter bandwidth at a chosen frequency.

SEL0	SEL1	Demodulator Bandwidth	
		Sweep-Mode	Fixed-Mode
1	1	5000Hz	10000Hz
0	1	2500Hz	5000Hz
1	0	1250Hz	2500Hz
0	0	625Hz	1250Hz

**Table 1. Nominal Demodulator Filter Bandwidth vs. SEL0, SEL1 and Operating Mode**

## Additional Applications Information

In addition to the basic operation of the MICRF002 the following enhancements can be made. In particular it is strongly recommended that the antenna impedance is matched to the input of the IC.

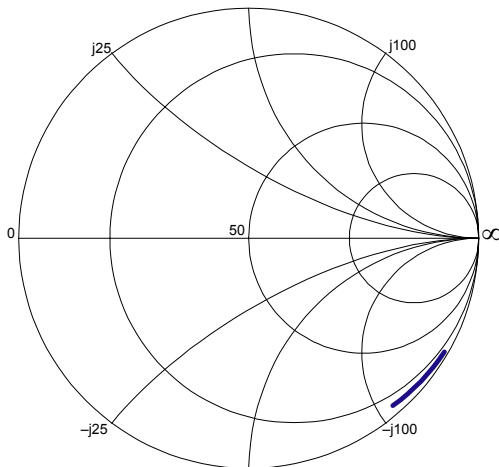
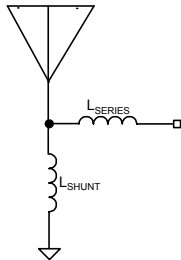
### Antenna Impedance Matching

As shown in Table 4 the antenna pin input impedance is frequency dependant. The ANT pin can be matched to 50Ω with an L-type circuit. That is, a shunt inductor from the RF input to ground and another in series from the RF input to the antenna pin.

Inductor values may be different from table depending on PCB material, PCB thickness, ground configuration, and how long the traces are in the layout. Values shown were characterized for a 0.031 thickness, FR4 board, solid ground plane on bottom layer, and very short traces. MuRata and Coilcraft wire wound 0603 or 0805 surface mount inductors were tested, however any wire wound inductor with high SRF (self resonance frequency) should do the job.

### Shutdown Function

Duty-cycled operation of the MICRF002 (often referred to as polling) is achieved by turning the MICRF002 on and off via the SHUT pin. The shutdown function is controlled by a logic state applied to the SHUT pin. When VSHUT is high, the device goes into low-power standby mode. This pin is pulled high internally, it must be externally pulled low to enable the receiver.



Frequency (MHz)	Z <sub>IN</sub> Z <sub>11</sub>	S <sub>11</sub>	L <sub>SHUNT</sub> (nH)	L <sub>SERIES</sub> (nH)
300	12-j166	0.803-j0.529	15	72
305	12-j165	0.800-j0.530	15	72
310	12-j163	0.796-j0.536	15	72
315	13-j162	0.791-j0.536	15	72
320	12-j160	0.789-j0.543	15	68
325	12-j157	0.782-j0.550	12	68
330	12-j155	0.778-j0.556	12	68
335	12-j152	0.770-j0.564	12	68
340	11-j150	0.767-j0.572	15	56
345	11-j148	0.762-j0.578	15	56
350	11-j145	0.753-j0.586	12	56
355	11-j143	0.748-j0.592	12	56
360	11-j141	0.742-j0.597	10	56
365	11-j139	0.735-j0.603	10	56
370	10-j137	0.732-j0.612	12	47
375	10-j135	0.725-j0.619	12	47
380	10-j133	0.718-j0.625	10	47
385	10-j131	0.711-j0.631	10	47
390	10-j130	0.707-j0.634	10	43
395	10-j128	0.700-j0.641	10	43
400	10-j126	0.692-j0.647	10	43
405	10-j124	0.684-j0.653	10	39
410	10-j122	0.675-j0.660	10	39
415	10-j120	0.667-j0.667	10	39
420	10-j118	0.658-j0.673	10	36
425	10-j117	0.653-j0.677	10	36
430	10-j115	0.643-j0.684	10	33
435	10-j114	0.638-j0.687	10	33
440	8-j112	0.635-j0.704	8.2	33

Table 4. Input Impedance vs. Frequency

### Power Supply Bypass Capacitors

$V_{DDBB}$  and  $V_{DDRF}$  should be connected together directly at the IC pins. Supply bypass capacitors are strongly recommended. They should be connected to  $V_{DDBB}$  and  $V_{DDRF}$  and should have the shortest possible lead lengths. For best performance, connect  $V_{SSRF}$  to  $V_{SSBB}$  at the power supply only (that is, keep  $V_{SSBB}$  currents from flowing through the  $V_{SSRF}$  return path).

### Increasing Selectivity with an Optional BandPass Filter

For applications located in high ambient noise environments, a fixed value band-pass network may be connected between the ANT pin and  $V_{SSRF}$  to provide additional receive selectivity and input overload protection. A minimum input configuration is included in Figure 7 it provides some filtering and necessary overload protection.

### Data Squelching

During quiet periods (no signal) the data output (DO pin) transitions randomly with noise. Most decoders can discriminate between this random noise and actual data but for some system it does present a problem. There are three possible approaches to reducing this output noise:

1. Analog squelch to raise the demodulator threshold
2. Digital squelch to disable the output when data is not present
3. Output filter to filter the (high frequency) noise glitches on the data output pin.

The simplest solution is add analog squelch by introducing a small offset, or squelch voltage, on the  $C_{TH}$  pin so that noise does not trigger the internal comparator. Usually 20mV to 30mV is sufficient, and may be achieved by connecting a several-megohm resistor from the  $C_{TH}$  pin to either  $V_{SS}$  or  $V_{DD}$ , depending on the desired offset polarity. Since the MICRF002 has receiver AGC noise at the internal comparator input is always the same, set by the AGC. The squelch offset requirement does not change as the local noise strength changes from installation to installation. Introducing squelch will reduce sensitivity and also reduce range. Only introduce an amount of offset sufficient to quiet the output. Typical squelch resistor values range from 6.8M $\Omega$  to 10M $\Omega$ .

### Wake-Up Function

The WAKEB output signal can be used to reduce system power consumption by enabling the rest of a system when an RF signal is present. The WAKEB is an output logic signal which goes active low when the IC detects a constant RF carrier. The wake-up function is unavailable when the IC is in shutdown mode.

To activate the Wake-Up function, a received constant RF carrier must be present for 128 counts or the internal system clock. The internal system clock is derived from the

reference oscillator and is 1/256 the reference oscillator frequency. For example:

$$f_T = 6.4\text{MHz}$$

$$f_S = f_T/256 = 25\text{kHz}$$

$$P_S = 1/f_S = 0.04\text{ms}$$

$$128 \text{ counts} \times 0.04\text{ms} = 5.12\text{ms}$$

where:

$$f_T = \text{reference oscillator frequency}$$

$$f_S = \text{system clock frequency}$$

$$P_S = \text{system clock period}$$

The Wake-Up counter will reset immediately after a detected RF carrier drops. The duration of the Wake-Up signal output is then determined by the required wake up time plus an additional RF carrier on time interval to create a wake up pulse output.

$$\text{WAKEB Output Pulse Time} = T_{\text{WAKE}} + \text{Additional RF Carrier On Time}$$

For designers who wish to use the wakeup function while squelching the output, a positive squelching offset voltage must be used. This simply requires that the squelch resistor be connected to a voltage more positive than the quiescent voltage on the  $C_{TH}$  pin so that the data output is low in absence of a transmission.

### I/O Pin Interface Circuitry

Interface circuitry for the various I/O pins of the MICRF002 are diagrammed in Figures 1 through 6. The ESD protection diodes at all input and output pins are not shown.

#### $C_{TH}$ Pin

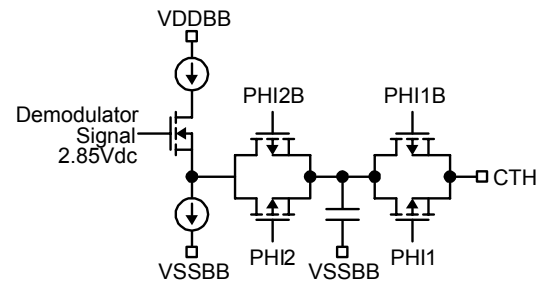
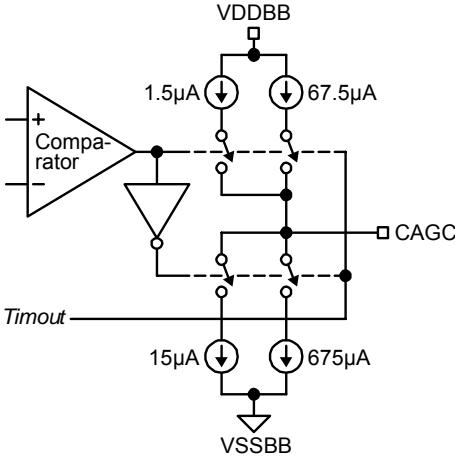


Figure 2.  $C_{TH}$  Pin

Figure 2 illustrates the  $C_{TH}$  pin interface circuit. The  $C_{TH}$  pin is driven from a P-channel MOSFET source-follower with approximately 10 $\mu$ A of bias. Transmission gates TG1 and TG2 isolate the 6.9pF capacitor. Internal control signals PHI1/PHI2 are related in a manner such that the impedance across the transmission gates looks like a "resistance" of approximately 100k $\Omega$ . The dc potential at the  $C_{TH}$  pin is approximately 1.6V

**C<sub>AGC</sub> Pin**

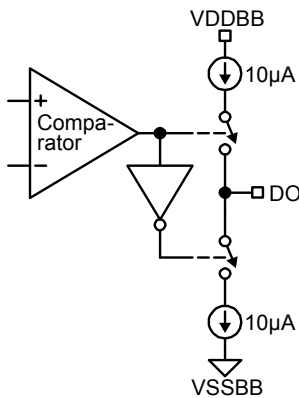


**Figure 3. CAGC Pin**

Figure 3 illustrates the C<sub>AGC</sub> pin interface circuit. The AGC control voltage is developed as an integrated current into a capacitor C<sub>AGC</sub>. The attack current is nominally 15µA, while the decay current is a 1/10th scaling of this, nominally 1.5µA, making the attack/decay time constant ratio a fixed 10:1. Signal gain of the RF/IF strip inside the IC diminishes as the voltage at C<sub>AGC</sub> decreases. Modification of the attack/decay ratio is possible by adding resistance from the C<sub>AGC</sub> pin to either V<sub>DDBB</sub> or V<sub>SSBB</sub>, as desired.

Both the push and pull current sources are disabled during shutdown, which maintains the voltage across C<sub>AGC</sub>, and improves recovery time in duty-cycled applications. To further improve duty-cycle recovery, both push and pull currents are increased by 45 times for approximately 10ms after release of the SHUT pin. This allows rapid recovery of any voltage droop on C<sub>AGC</sub> while in shutdown.

**DO and WAKEB Pins**

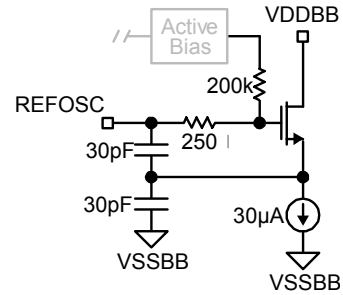


**Figure 4. DO and WAKEB Pins**

The output stage for DO (digital output) and WAKEB (wake-up output) is shown in Figure 4. The output is a 10µA push and 10µA pull switched-current stage. This output stage is capable of driving CMOS loads. An external buffer-

driver is recommended for driving high-capacitance loads.

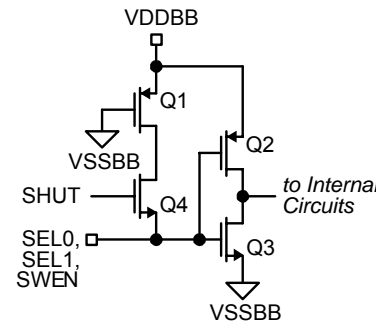
**REFOSC Pin**



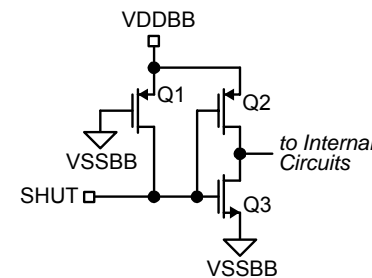
**Figure 5. REFOSC Pin**

The REFOSC input circuit is shown in Figure 5. Input impedance is high (200kΩ). This is a Colpitts oscillator with internal 30pF capacitors. This input is intended to work with standard ceramic resonators connected from this pin to the V<sub>SSBB</sub> pin, although a crystal may be used when greater frequency accuracy is required. The nominal dc bias voltage on this pin is 1.4V.

**SEL0, SEL1, SWEN, and SHUT Pins**



**Figure 6a. SEL0, SEL1, SWEN Pins**



**Figure 6b. SHUT Pin**

Control input circuitry is shown in Figures 6a and 6b. The standard input is a logic inverter constructed with minimum geometry MOSFETs (Q2, Q3). P-channel MOSFET Q1 is a large channel length device which functions essentially as a "weak" pullup to V<sub>DDBB</sub>. Typical pull-up current is 5µA, leading to an impedance to the V<sub>DDBB</sub> supply of typically 1MΩ.

## Applications Example

### 315MHz Receiver/Decoder Application

Figure 7 illustrates a typical application for the MICRF002 UHF Receiver IC. This receiver operates continuously (not duty cycled) in sweep mode, and features 6-bit address decoding and two output code bits.

Operation in this example is at 315MHz, and may be customized by selection of the appropriate frequency reference (Y1), and adjustment of the antenna length. The value of C4 would also change if the optional input filter is used. Changes from the 1kb/s data rate may require a change in the value of R1. A bill of materials accompanies the schematic.

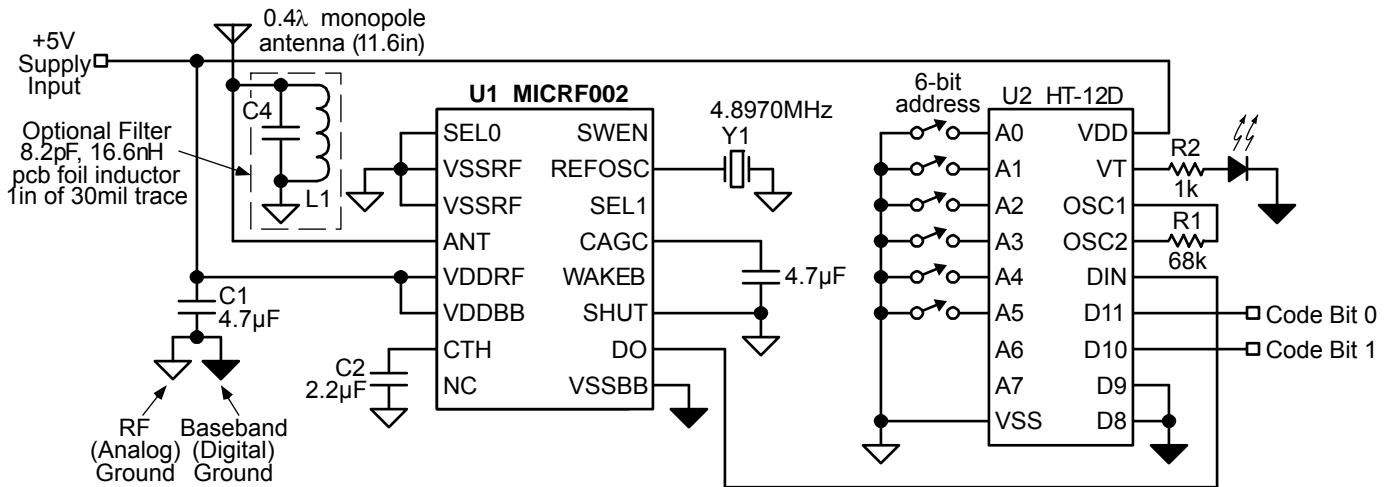


Figure 7. 315MHz, 1kbps On-Off Keyed Receiver/Decoder

## Bill of Materials

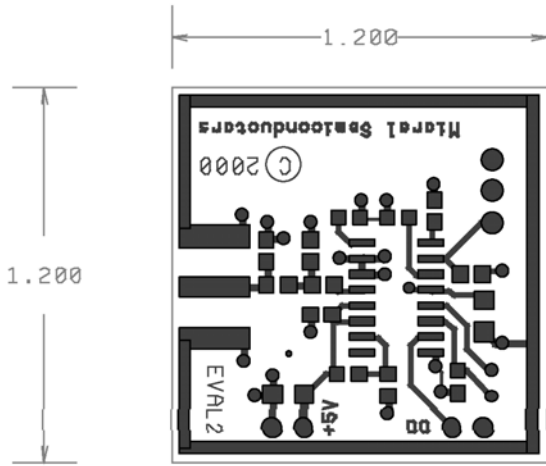
Item	Part Number	Manufacturer	Description	Qty.
C1		Vishay <sup>(1)</sup>	4.7μF, Dipped Tantalum Capacitor	1
C2		Vishay <sup>(1)</sup>	2.2μF, Dipped Tantalum Capacitor	1
C3		Vishay <sup>(1)</sup>	4.7μF, Dipped Tantalum Capacitor	1
C4		Vishay <sup>(1)</sup>	8.2pF, COG Ceramic Capacitor	1
CR1	CSA6.00MG	Murata <sup>(2)</sup>	6.00MHz, Ceramic Resonator	1
D1	SSF-LX100LID	Lumex <sup>(3)</sup>	RED LED	1
R1			68k, 1/4W, 5%	1
R2		Vishay <sup>(1)</sup>	1k, 1/4W, 5%	1
U1	MICRF002	Micrel, Inc. <sup>(4)</sup>	300-440MHz QwikRadio <sup>®</sup> ASK Receiver	1
U2	HT-12D	Holtek <sup>(5)</sup>	Logic Decoder	1

### Notes:

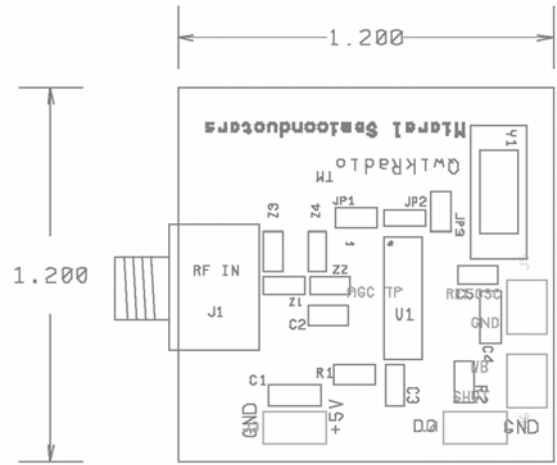
1. Vishay Tel: (203) 268-6261
2. Murata Tel: (800) 241-6574, Fx: (770) 436-3030
3. Lumex Tel: (800) 278-5666, Fx: (847) 359-8904
5. Micrel, Inc.: (408) 944-0800
5. Holtek Tel: (408) 894-9046, Fx: (408) 894-0838

### PCB Layout Information

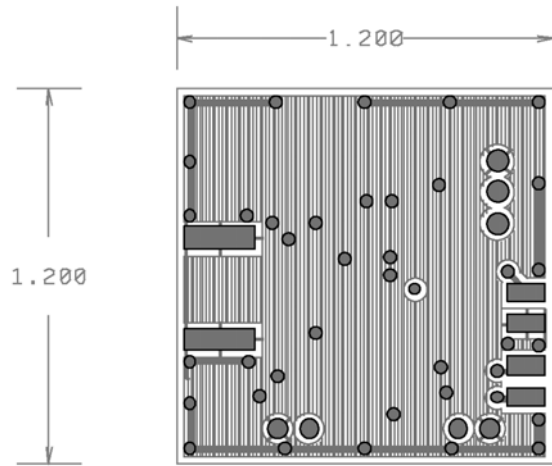
The MICRF002 evaluation board was designed and characterized using two sided 0.031 inch thick FR4 material with 1 ounce copper clad. If another type of printed circuit board material were to be substituted, impedance matching and characterization data stated in this document may not be valid. The gerber files for this board can be downloaded from the Micrel website at [www.micrel.com](http://www.micrel.com).



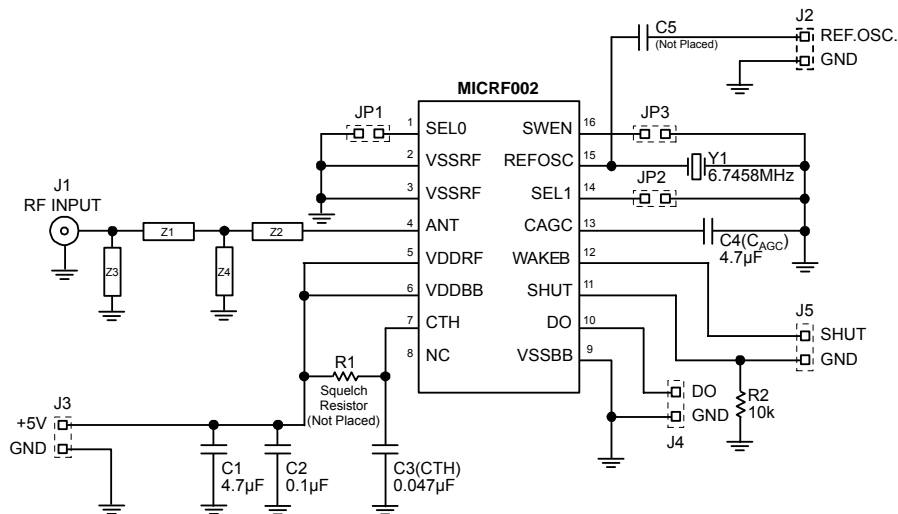
PCB Silk Screen



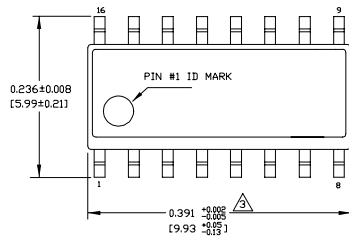
PCB Component Side Layout



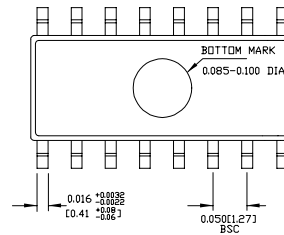
PCB Solder Side Layout



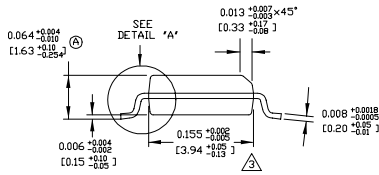
# Package Information



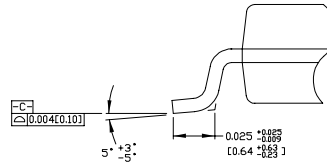
TOP VIEW



BOTTOM VIEW



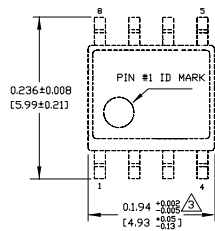
END VIEW



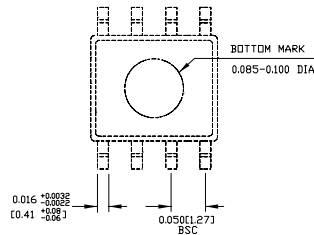
DETAIL "A"

NOTES:  
 1. DIMENSIONS ARE IN INCHES(MM).  
 2. CONTROLLING DIMENSION: INCHES.  
 Δ DIMENSION DOES NOT INCLUDE MOLD FLASH OR PROTRUSIONS, EITHER OF WHICH SHALL NOT EXCEED 0.010(0.25) PER SIDE.

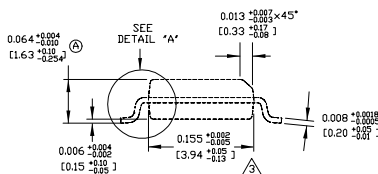
## 16-Pin SOIC (M)



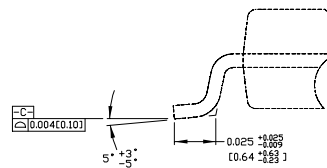
TOP VIEW



BOTTOM VIEW



END VIEW



DETAIL "A"

NOTES:  
 1. DIMENSIONS ARE IN INCHES(MM).  
 2. CONTROLLING DIMENSION: INCHES.  
 Δ DIMENSION DOES NOT INCLUDE MOLD FLASH OR PROTRUSIONS, EITHER OF WHICH SHALL NOT EXCEED 0.010(0.25) PER SIDE.

## 8-Pin SOIC (M)



---

**MICREL, INC. 2180 FORTUNE DRIVE SAN JOSE, CA 95131 USA**  
TEL +1 (408) 944-0800 FAX +1 (408) 474-1000 WEB <http://www.micrel.com>

The information furnished by Micrel in this data sheet is believed to be accurate and reliable. However, no responsibility is assumed by Micrel for its use. Micrel reserves the right to change circuitry and specifications at any time without notification to the customer.

Micrel Products are not designed or authorized for use as components in life support appliances, devices or systems where malfunction of a product can reasonably be expected to result in personal injury. Life support devices or systems are devices or systems that (a) are intended for surgical implant into the body or (b) support or sustain life, and whose failure to perform can be reasonably expected to result in a significant injury to the user. A Purchaser's use or sale of Micrel Products for use in life support appliances, devices or systems is a Purchaser's own risk and Purchaser agrees to fully indemnify Micrel for any damages resulting from such use or sale.

© 2003 Micrel, Incorporated.



Компания «ЭлектроПласт» предлагает заключение долгосрочных отношений при поставках импортных электронных компонентов на взаимовыгодных условиях!

Наши преимущества:

- Оперативные поставки широкого спектра электронных компонентов отечественного и импортного производства напрямую от производителей и с крупнейших мировых складов;
- Поставка более 17-ти миллионов наименований электронных компонентов;
- Поставка сложных, дефицитных, либо снятых с производства позиций;
- Оперативные сроки поставки под заказ (от 5 рабочих дней);
- Экспресс доставка в любую точку России;
- Техническая поддержка проекта, помощь в подборе аналогов, поставка прототипов;
- Система менеджмента качества сертифицирована по Международному стандарту ISO 9001;
- Лицензия ФСБ на осуществление работ с использованием сведений, составляющих государственную тайну;
- Поставка специализированных компонентов (Xilinx, Altera, Analog Devices, Intersil, Interpoint, Microsemi, Aeroflex, Peregrine, Syfer, Eurofarad, Texas Instrument, Miteq, Cobham, E2V, MA-COM, Hittite, Mini-Circuits, General Dynamics и др.);

Помимо этого, одним из направлений компании «ЭлектроПласт» является направление «Источники питания». Мы предлагаем Вам помощь Конструкторского отдела:

- Подбор оптимального решения, техническое обоснование при выборе компонента;
- Подбор аналогов;
- Консультации по применению компонента;
- Поставка образцов и прототипов;
- Техническая поддержка проекта;
- Защита от снятия компонента с производства.



#### Как с нами связаться

**Телефон:** 8 (812) 309 58 32 (многоканальный)

**Факс:** 8 (812) 320-02-42

**Электронная почта:** [org@eplast1.ru](mailto:org@eplast1.ru)

**Адрес:** 198099, г. Санкт-Петербург, ул. Калинина, дом 2, корпус 4, литера А.