

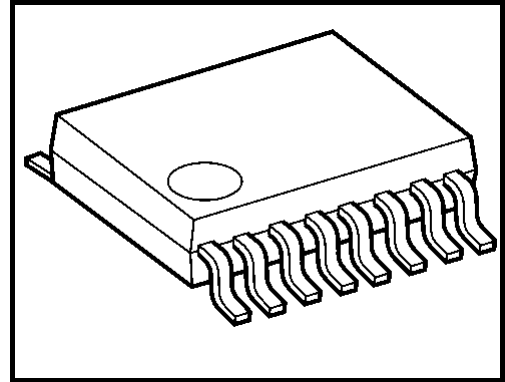
TOSHIBA CDMOS Integrated Circuit Silicon Monolithic

# TC78H621FNG

## DUAL-BRIDGE DRIVER IC

The TC78H621FNG is a dual-bridge driver IC which incorporates DMOS in output transistors.

The TC78H621FNG is capable of driving 2 DC brushed motors or 1 stepping motor.

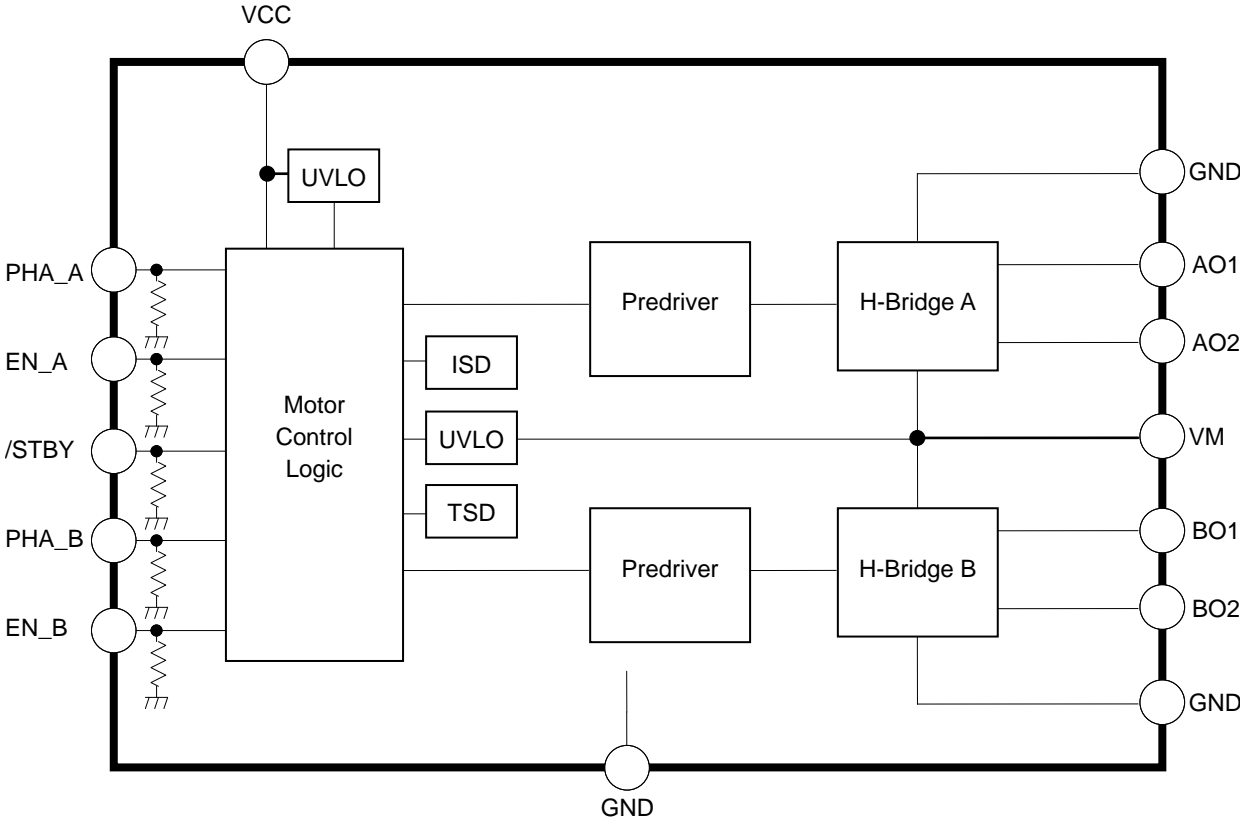


P-TSSOP16-0505-0.65-001 Weight: 0.06 g(Typ.)

### Features

- Power supply voltage for motor :  $V_M=18$  V(Max)
- Power supply voltage for control :  $V_{CC}=6$  V(Max)
- Output current :  $I_{OUT}=1.1$  A(Max)
- Output ON resistance :  $R_{on}(\text{upper and lower sum})=0.8$   $\Omega$ (Typ.)
- Internal pull-down resistors on inputs : 200 k $\Omega$ (Typ.)
- Built-in over current detection(ISD), thermal shutdown(TSD) circuit, and under voltage lockout(UVLO) circuit.
- Small package : P-TSSOP16-0505-0.65-001
- Built-in cross conduction protection circuit

Block Diagram

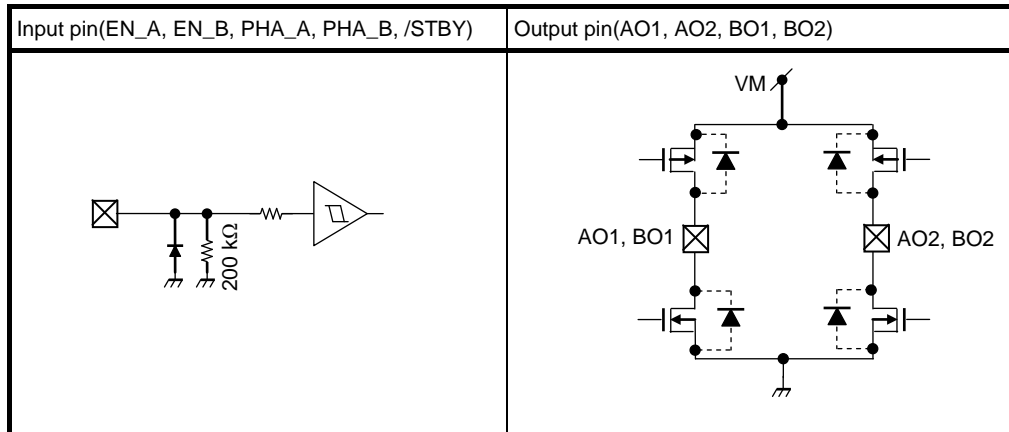


\* Please note that in the block diagram, functional blocks or constants may be omitted or simplified for explanatory purposes.

## Pin Functions

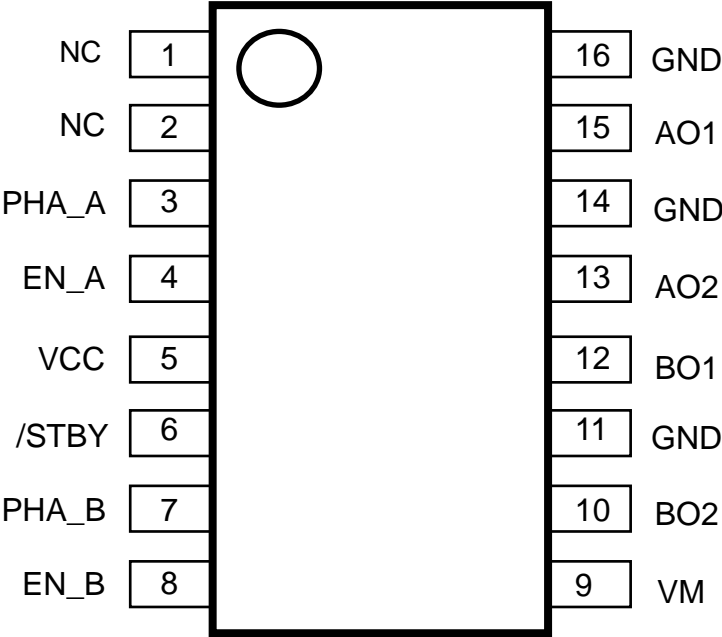
Pin No.	Pin name	Functional description	Remarks
1	NC	Not connected	Please do not connect any pattern
2	NC	Not connected	Please do not connect any pattern
3	PHA_A	Control input pin for Ach (1)	See the table "Input/Output functions".
4	EN_A	Control input pin for Ach (2)	See the table "Input/Output functions".
5	VCC	Power supply pin for logic block	VCC=2.7 to 5.5 V
6	/STBY	Standby input	See the table "Input/Output functions".
7	PHA_B	Control input pin for Bch (1)	See the table "Input/Output functions".
8	EN_B	Control input pin for Bch (2)	See the table "Input/Output functions".
9	VM	Power supply pin for output	VM= 2.5 to 15.0 V
10	BO2	Output pin of B phase (2)	Please connect with a motor.
11	GND	Ground pin	
12	BO1	Output pin of B phase (1)	Please connect with a motor.
13	AO2	Output pin of A phase (2)	Please connect with a motor.
14	GND	Ground pin	
15	AO1	Output pin of A phase (1)	Please connect with a motor.
16	GND	Ground pin	

## Equivalent Input/Output Circuit



Please note that in the equivalent input/output circuit, functional blocks or constants may be omitted or simplified for explanatory purposes.

Pin Assignment (Top view)



## Absolute Maximum Ratings (Ta =25°C)

Characteristics	Symbol	Rating	Unit
Power supply voltage	V <sub>CC</sub>	6	V
	V <sub>M</sub>	18	V
Output current	I <sub>OUT</sub>	1.1	A
Input voltage	V <sub>IN</sub>	-0.2 to V <sub>CC</sub> +0.2	V
Power dissipation	P <sub>D</sub>	0.78 (Note1)	W
Operation temperature	T <sub>opr</sub>	-30 to 85	°C
Storage temperature	T <sub>stg</sub>	-55 to 150	°C

Note 1: When mounted on a single-side glass epoxy board (50 mm × 50 mm × 1.6 mm, Cu area: 40 %, Cu thick: 35μm)

The absolute maximum ratings of a semiconductor device are a set of specified parameter values that must not be exceeded during operation, even for an instant.

If any of these ratings are exceeded during operation, the electrical characteristics of the device may be irreparably altered, in which case the reliability and lifetime of the device can no longer be guaranteed.

Moreover, any exceeding of the ratings during operation may cause breakdown, damage and/or degradation in other equipment. Applications using the device should be designed so that no maximum rating will ever be exceeded under any operating condition.

## Operating Range (Ta = -30 to 85°C)

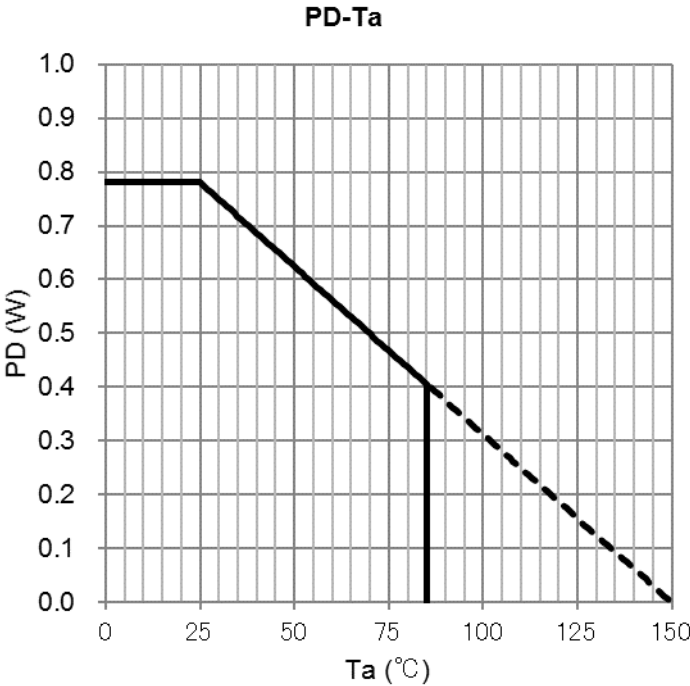
Characteristics	Symbol	Conditions	Min	Typ.	Max	Unit
Controlled power supply voltage	V <sub>CC</sub>	—	2.7	3.3	5.5	V
Motor power supply voltage	V <sub>M</sub>	—	2.5	5	15	V
Output current	I <sub>OUT</sub>	—	—	—	0.8	A
Input voltage	V <sub>IN</sub>	—	—	—	5.5	V
Control logic frequency	f <sub>PWM</sub>	EN_A, EN_B, PHA_A, PHA_B Duty50% condition	1	—	500	kHz

Maximum current is limited by power dissipation. It depends on the ambient temperature, excitation mode, and heat radiation of the board. Determine a realistic maximum current by calculating the heat generated under the operating environment.

**Electrical Characteristics (Ta=25°C, V<sub>CC</sub>=3.3 V, V<sub>M</sub>=5 V, unless otherwise specified.)**

Characteristics		Symbol	Test Condition	Min	Typ.	Max	Unit
Input voltage		V <sub>IN(H)</sub>	EN_A, EN_B, PHA_A, PHA_B /STBY	2.0	—	5.5	V
		V <sub>IN(L)</sub>		-0.2	—	0.8	V
Hysteresis voltage		V <sub>IN(HYS)</sub>	EN_A, EN_B, PHA_A, PHA_B /STBY	—	200	—	mV
Input current		I <sub>IN(H)</sub>	V <sub>IN</sub> = 3.3 V	11	16.5	22	μA
		I <sub>IN(L)</sub>	V <sub>IN</sub> = 0.8 V	2	4	8	μA
Consumption current		I <sub>CC1</sub>	Stop mode /STBY = H, EN_A = EN_B = L	—	0.5	1	mA
		I <sub>CC2</sub>	Operation mode /STBY = EN_A = EN_B = H	—	0.5	1	mA
		I <sub>CC3</sub>	Standby mode /STBY = L	—	0	1	μA
		I <sub>M1</sub>	Stop mode /STBY = H, EN_A = EN_B = L	—	0.25	1	mA
		I <sub>M2</sub>	Operation mode /STBY = EN_A = EN_B = H	—	0.25	1	mA
		I <sub>M3</sub>	Standby mode /STBY = L	—	0	1	μA
Drain-source ON-resistance (The sum of high side & low side)		R <sub>ON(U+L)</sub>	I <sub>OUT</sub> = 0.2 A	—	0.8	1.6	Ω
			I <sub>OUT</sub> = 0.6 A	—	0.8	1.6	
Diode forward voltage		V <sub>FU</sub>	I <sub>OUT</sub> = 0.6 A	—	1	1.2	V
		V <sub>FL</sub>		—	1	1.2	
Output leakage current	Upper	I <sub>OH</sub>	V <sub>M</sub> =15 V	—	—	1	μA
	Lower	I <sub>OL</sub>		—	—	1	

(Reference)  $P_D - T_a$  characteristics



When mounted on a single-side glass epoxy board (50 mm × 50 mm × 1.6 mm, Cu area: 40 %, Cu thick: 35μm)

Note: The above- characteristics is a reference value and is not a guaranteed

## Input/Output functions

Input			Output		Mode
/STBY	EN_A/EN_B	PHA_A/PHA_B	AO1/BO1	AO2/BO2	
H	H	H	L	H	Operation
H	H	L	H	L	Operation
H	L	H or L	OFF (High impedance)		Stop
L	H or L	H or L	OFF (High impedance)		Standby

## When driving the stepping motor

### 1: Full Step

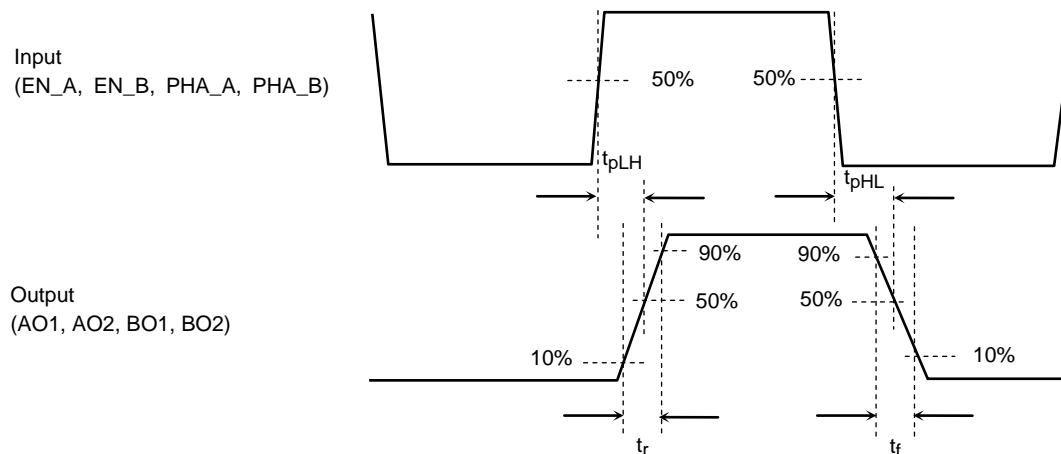
Input				Output				STEP
EN_A	EN_B	PHA_A	PHA_B	AO1	AO2	BO1	BO2	
H	H	L	L	H	L	H	L	1
H	H	H	L	L	H	H	L	2
H	H	H	H	L	H	L	H	3
H	H	L	H	H	L	L	H	4
L	L	H or L	H or L	OFF (High impedance)				OFF

### 2: Half Step

Input				Output				STEP
EN_A	EN_B	PHA_A	PHA_B	AO1	AO2	BO1	BO2	
H	H	L	L	H	L	H	L	1
L	H	H or L	L	OFF (High impedance)		H	L	2
H	H	H	L	L	H	H	L	3
H	L	H	H or L	L	H	OFF (High impedance)		4
H	H	H	H	L	H	L	H	5
L	H	H or L	H	OFF (High impedance)		L	H	6
H	H	L	H	H	L	L	H	7
H	L	L	H or L	H	L	OFF (High impedance)		8
L	L	H or L	H or L	OFF (High impedance)				OFF



## Output waveform timing chart (voltage waveform)



### AC Electrical characteristics (Reference)

Symbol	Typical value	Unit
$t_{pLH}$	500	ns
$t_{pHL}$	500	
$t_r$	20	
$t_f$	20	

Note: The above- characteristics is a reference value and is not a guaranteed

Timing charts may be simplified for explanatory purpose.

## TSD (Thermal shut down)

The TC78H621FNG includes a thermal shutdown circuit, which turns the output transistors off when the junction temperature ( $T_j$ ) exceeds 170°C (Typ.).

State of the internal IC and output state when TSD function operates are same as that of the stop mode (EN\_A = EN\_B = L).

The output transistors are automatically turned on when  $T_j$  cools lowered by 40°C(Typ.).

\* The operative temperature and release temperature of the TSD are a reference value, and are not a guaranteed performance.

## ISD (Over current detection)

The TC78H621FNG includes an over current detection circuit, which turns the output transistors off when any of current which flows in 8 DMOS transistors exceeds 1.7 A (Typ.). It does not resume automatically but latches. It resumes when UVLO operates.

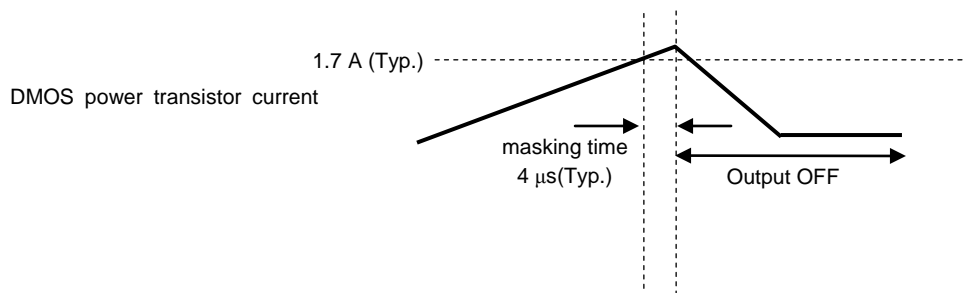
However, masking time of 4  $\mu$ s(Typ.) should be added in order to avoid detection error by the noise.

State of the internal IC and output state when ISD function operates are same as that of the stop mode (EN\_A = EN\_B = L).

The output transistors are turned on when one of the following controls is performed.

1. Re-turn on power supply
2. After setting to standby mode (/STBY = L), it sets to operational mode again.
3. After setting Ach and Bch into stop mode (EN\_A = EN\_B = L), it sets to operational mode again.

\* The actuating current and masking term of the ISD are a reference value, and are not a guaranteed value.



## UVLO (Under voltage lockout)

The TC78H621FNG includes an under voltage lockout circuit, which turns the output transistors off when  $V_{CC}$  decreases to 2.2 V (Typ.) or lower.

The output transistors are automatically turned on when  $V_{CC}$  is raised to 2.3 V (Typ.) .

The TC78H621FNG includes an under voltage lockout circuit, which turns the output transistors off when VM decreases to 2.0 V (Typ.) or lower.

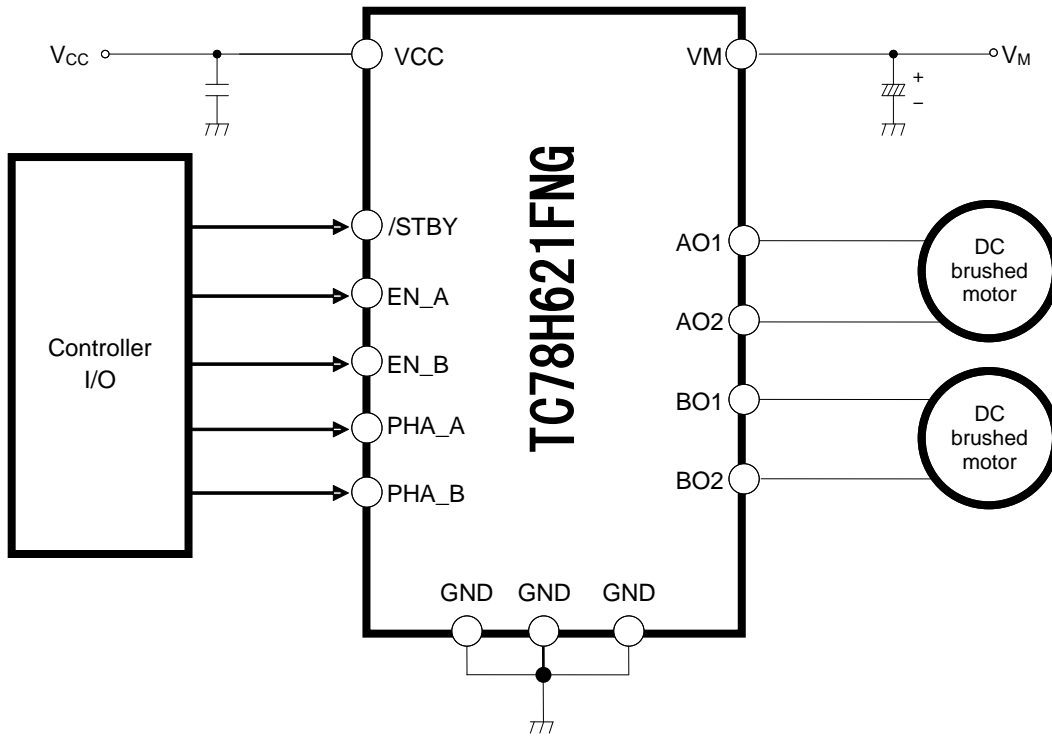
The output transistors are automatically turned on when VM is raised to 2.1 V (Typ.).

State of the internal IC and output state when UVLO function operates are same as that of the stop mode (EN\_A = EN\_B = L).

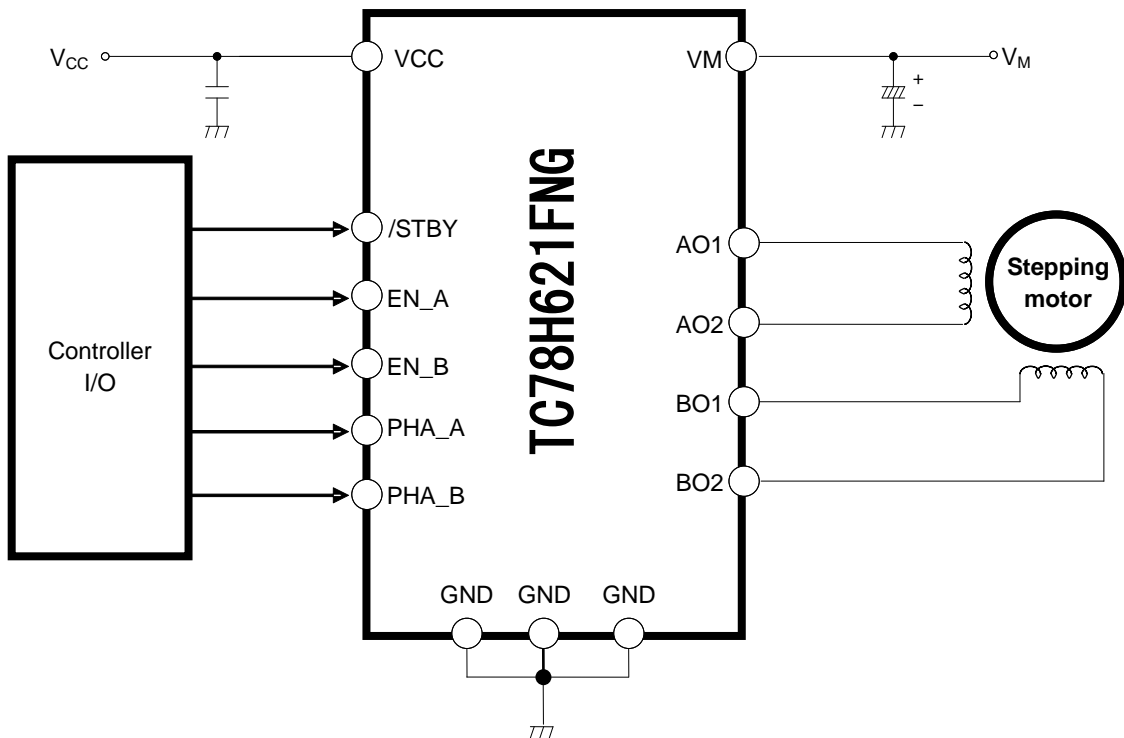
\* The operating voltage and release voltage of the UVLO are a reference value, and are not a guaranteed value.

**Application circuit**

**When driving the DC brushed motor**



**When driving the stepping motor**



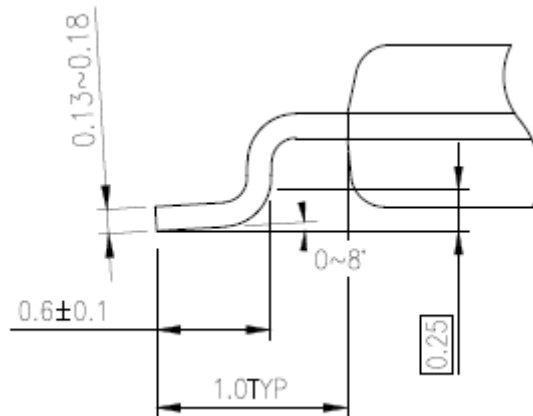
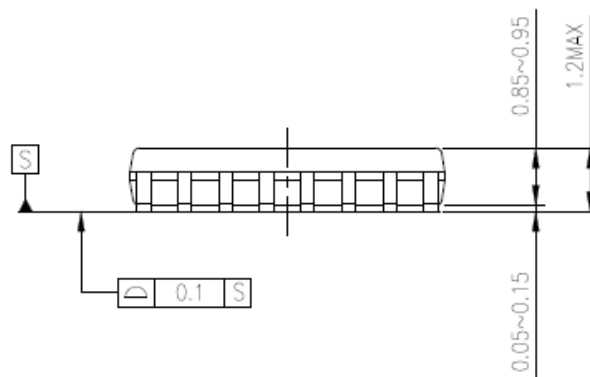
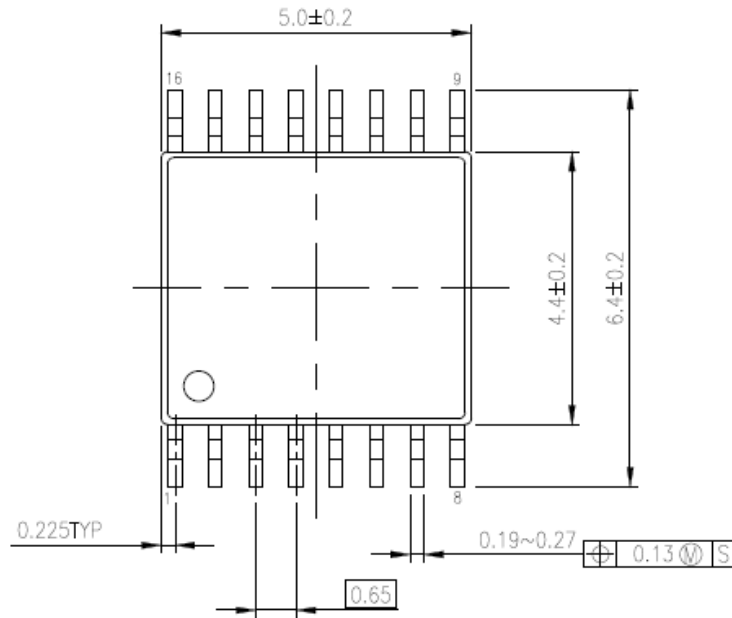
Note 1: A power supply capacitor should be connected as close as possible to the IC.

Note 2: When the power is turned on and off, set /STBY = L or EN\_A = EN\_B = L. If these terminals are set high in turning on and off the power, unexpected current may be flown in the output pin depending on the situation.

## Package Dimensions

P-TSSOP16-0505-0.65-001

"Unit:mm"



Weight: 0.06 g(Typ.)

## Notes on Contents

### 1. Block Diagrams

Some of the functional blocks, circuits, or constants in the block diagram may be omitted or simplified for explanatory purposes.

### 2. Equivalent Circuits

The equivalent circuit diagrams may be simplified or some parts of them may be omitted for explanatory purposes.

### 3. Timing Charts

Timing charts may be simplified for explanatory purposes.

### 4. Application Circuits

The application circuits shown in this document are provided for reference purposes only. Thorough evaluation is required, especially at the mass production design stage.

Toshiba does not grant any license to any industrial property rights by providing these examples of application circuits.

### 5. Test Circuits

Components in the test circuits are used only to obtain and confirm the device characteristics. These components and circuits are not guaranteed to prevent malfunction or failure from occurring in the application equipment.

## IC Usage Considerations

### Notes on handling of ICs

- [1] The absolute maximum ratings of a semiconductor device are a set of ratings that must not be exceeded, even for a moment. Do not exceed any of these ratings.  
Exceeding the rating(s) may cause the device breakdown, damage or deterioration, and may result injury by explosion or combustion.
- [2] Use an appropriate power supply fuse to ensure that a large current does not continuously flow in case of over current and/or IC failure. The IC will fully break down when used under conditions that exceed its absolute maximum ratings, when the wiring is routed improperly or when an abnormal pulse noise occurs from the wiring or load, causing a large current to continuously flow and the breakdown can lead smoke or ignition. To minimize the effects of the flow of a large current in case of breakdown, appropriate settings, such as fuse capacity, fusing time and insertion circuit location, are required.
- [3] If your design includes an inductive load such as a motor coil, incorporate a protection circuit into the design to prevent device malfunction or breakdown caused by the current resulting from the inrush current at power ON or the negative current resulting from the back electromotive force at power OFF. IC breakdown may cause injury, smoke or ignition.  
Use a stable power supply with ICs with built-in protection functions. If the power supply is unstable, the protection function may not operate, causing IC breakdown. IC breakdown may cause injury, smoke or ignition.
- [4] Do not insert devices in the wrong orientation or incorrectly.  
Make sure that the positive and negative terminals of power supplies are connected properly.  
Otherwise, the current or power consumption may exceed the absolute maximum rating, and exceeding the rating(s) may cause the device breakdown, damage or deterioration, and may result injury by explosion or combustion.  
In addition, do not use any device that is applied the current with inserting in the wrong orientation or incorrectly even just one time.

**Points to remember on handling of ICs****(1) Over current Protection Circuit**

Over current protection circuits (referred to as current limiter circuits) do not necessarily protect ICs under all circumstances. If the over current protection circuits operate against the over current, clear the over current status immediately.

Depending on the method of use and usage conditions, such as exceeding absolute maximum ratings can cause the over current protection circuit to not operate properly or IC breakdown before operation. In addition, depending on the method of use and usage conditions, if over current continues to flow for a long time after operation, the IC may generate heat resulting in breakdown.

**(2) Thermal Shutdown Circuit**

Thermal shutdown circuits do not necessarily protect ICs under all circumstances. If the thermal shutdown circuits operate against the over temperature, clear the heat generation status immediately.

Depending on the method of use and usage conditions, such as exceeding absolute maximum ratings can cause the thermal shutdown circuit to not operate properly or IC breakdown before operation.

**(3) Heat Radiation Design**

In using an IC with large current flow such as power amp, regulator or driver, please design the device so that heat is appropriately radiated, not to exceed the specified junction temperature ( $T_j$ ) at any time and condition. These ICs generate heat even during normal use. An inadequate IC heat radiation design can lead to decrease in IC life, deterioration of IC characteristics or IC breakdown. In addition, please design the device taking into consideration the effect of IC heat radiation with peripheral components.

**(4) Back-EMF**

When a motor rotates in the reverse direction, stops or slows down abruptly, a current flow back to the motor's power supply due to the effect of back-EMF. If the current sink capability of the power supply is small, the device's motor power supply and output pins might be exposed to conditions beyond absolute maximum ratings. To avoid this problem, take the effect of back-EMF into consideration in system design.

## RESTRICTIONS ON PRODUCT USE

- Toshiba Corporation, and its subsidiaries and affiliates (collectively "TOSHIBA"), reserve the right to make changes to the information in this document, and related hardware, software and systems (collectively "Product") without notice.
- This document and any information herein may not be reproduced without prior written permission from TOSHIBA. Even with TOSHIBA's written permission, reproduction is permissible only if reproduction is without alteration/omission.
- Though TOSHIBA works continually to improve Product's quality and reliability, Product can malfunction or fail. Customers are responsible for complying with safety standards and for providing adequate designs and safeguards for their hardware, software and systems which minimize risk and avoid situations in which a malfunction or failure of Product could cause loss of human life, bodily injury or damage to property, including data loss or corruption. Before customers use the Product, create designs including the Product, or incorporate the Product into their own applications, customers must also refer to and comply with (a) the latest versions of all relevant TOSHIBA information, including without limitation, this document, the specifications, the data sheets and application notes for Product and the precautions and conditions set forth in the "TOSHIBA Semiconductor Reliability Handbook" and (b) the instructions for the application with which the Product will be used with or for. Customers are solely responsible for all aspects of their own product design or applications, including but not limited to (a) determining the appropriateness of the use of this Product in such design or applications; (b) evaluating and determining the applicability of any information contained in this document, or in charts, diagrams, programs, algorithms, sample application circuits, or any other referenced documents; and (c) validating all operating parameters for such designs and applications. **TOSHIBA ASSUMES NO LIABILITY FOR CUSTOMERS' PRODUCT DESIGN OR APPLICATIONS.**
- **PRODUCT IS NEITHER INTENDED NOR WARRANTED FOR USE IN EQUIPMENTS OR SYSTEMS THAT REQUIRE EXTRAORDINARILY HIGH LEVELS OF QUALITY AND/OR RELIABILITY, AND/OR A MALFUNCTION OR FAILURE OF WHICH MAY CAUSE LOSS OF HUMAN LIFE, BODILY INJURY, SERIOUS PROPERTY DAMAGE AND/OR SERIOUS PUBLIC IMPACT ("UNINTENDED USE").** Except for specific applications as expressly stated in this document, Unintended Use includes, without limitation, equipment used in nuclear facilities, equipment used in the aerospace industry, medical equipment, equipment used for automobiles, trains, ships and other transportation, traffic signaling equipment, equipment used to control combustions or explosions, safety devices, elevators and escalators, devices related to electric power, and equipment used in finance-related fields. **IF YOU USE PRODUCT FOR UNINTENDED USE, TOSHIBA ASSUMES NO LIABILITY FOR PRODUCT.** For details, please contact your TOSHIBA sales representative.
- Do not disassemble, analyze, reverse-engineer, alter, modify, translate or copy Product, whether in whole or in part.
- Product shall not be used for or incorporated into any products or systems whose manufacture, use, or sale is prohibited under any applicable laws or regulations.
- The information contained herein is presented only as guidance for Product use. No responsibility is assumed by TOSHIBA for any infringement of patents or any other intellectual property rights of third parties that may result from the use of Product. No license to any intellectual property right is granted by this document, whether express or implied, by estoppel or otherwise.
- **ABSENT A WRITTEN SIGNED AGREEMENT, EXCEPT AS PROVIDED IN THE RELEVANT TERMS AND CONDITIONS OF SALE FOR PRODUCT, AND TO THE MAXIMUM EXTENT ALLOWABLE BY LAW, TOSHIBA (1) ASSUMES NO LIABILITY WHATSOEVER, INCLUDING WITHOUT LIMITATION, INDIRECT, CONSEQUENTIAL, SPECIAL, OR INCIDENTAL DAMAGES OR LOSS, INCLUDING WITHOUT LIMITATION, LOSS OF PROFITS, LOSS OF OPPORTUNITIES, BUSINESS INTERRUPTION AND LOSS OF DATA, AND (2) DISCLAIMS ANY AND ALL EXPRESS OR IMPLIED WARRANTIES AND CONDITIONS RELATED TO SALE, USE OF PRODUCT, OR INFORMATION, INCLUDING WARRANTIES OR CONDITIONS OF MERCHANTABILITY, FITNESS FOR A PARTICULAR PURPOSE, ACCURACY OF INFORMATION, OR NONINFRINGEMENT.**
- Do not use or otherwise make available Product or related software or technology for any military purposes, including without limitation, for the design, development, use, stockpiling or manufacturing of nuclear, chemical, or biological weapons or missile technology products (mass destruction weapons). Product and related software and technology may be controlled under the applicable export laws and regulations including, without limitation, the Japanese Foreign Exchange and Foreign Trade Law and the U.S. Export Administration Regulations. Export and re-export of Product or related software or technology are strictly prohibited except in compliance with all applicable export laws and regulations.
- Please contact your TOSHIBA sales representative for details as to environmental matters such as the RoHS compatibility of Product. Please use Product in compliance with all applicable laws and regulations that regulate the inclusion or use of controlled substances, including without limitation, the EU RoHS Directive. **TOSHIBA ASSUMES NO LIABILITY FOR DAMAGES OR LOSSES OCCURRING AS A RESULT OF NONCOMPLIANCE WITH APPLICABLE LAWS AND REGULATIONS.**

# Mouser Electronics

Authorized Distributor

Click to View Pricing, Inventory, Delivery & Lifecycle Information:

[Toshiba:](#)

[TC78H621FNG,EL](#)





Компания «ЭлектроПласт» предлагает заключение долгосрочных отношений при поставках импортных электронных компонентов на взаимовыгодных условиях!

Наши преимущества:

- Оперативные поставки широкого спектра электронных компонентов отечественного и импортного производства напрямую от производителей и с крупнейших мировых складов;
- Поставка более 17-ти миллионов наименований электронных компонентов;
- Поставка сложных, дефицитных, либо снятых с производства позиций;
- Оперативные сроки поставки под заказ (от 5 рабочих дней);
- Экспресс доставка в любую точку России;
- Техническая поддержка проекта, помощь в подборе аналогов, поставка прототипов;
- Система менеджмента качества сертифицирована по Международному стандарту ISO 9001;
- Лицензия ФСБ на осуществление работ с использованием сведений, составляющих государственную тайну;
- Поставка специализированных компонентов (Xilinx, Altera, Analog Devices, Intersil, Interpoint, Microsemi, Aeroflex, Peregrine, Syfer, Eurofarad, Texas Instrument, Miteq, Cobham, E2V, MA-COM, Hittite, Mini-Circuits, General Dynamics и др.);

Помимо этого, одним из направлений компании «ЭлектроПласт» является направление «Источники питания». Мы предлагаем Вам помощь Конструкторского отдела:

- Подбор оптимального решения, техническое обоснование при выборе компонента;
- Подбор аналогов;
- Консультации по применению компонента;
- Поставка образцов и прототипов;
- Техническая поддержка проекта;
- Защита от снятия компонента с производства.



#### Как с нами связаться

**Телефон:** 8 (812) 309 58 32 (многоканальный)

**Факс:** 8 (812) 320-02-42

**Электронная почта:** [org@eplast1.ru](mailto:org@eplast1.ru)

**Адрес:** 198099, г. Санкт-Петербург, ул. Калинина, дом 2, корпус 4, литера А.