

# RJ45 SINGLE PORT 100/1000/2.5G/5G BASE-T MAGNETICS



ARJM11

21.30 x 15.90 x 13.60mm  
21.30 x 15.90 x 13.80mm

UL Certification Number: E503350

RoHS/RoHS II Compliant

MSL = 1

## SERIES DESCRIPTION

The ARJM11 series of RJ45 jacks with internal magnetics supports a wide range of configurations in 10/100Base-T, 1000Base-T, 2.5GBase-T and 5GBase-T applications. This series offers the ability to mix and match the physical orientation of the tab, pin layouts, EMI fingers, LED colors and also provides PoE and PoE+ options for 10/100Base-T rates. All configurations in the product series support paste in hole (PIH), a technology that allows through-hole components to be compatible with surface mount reflow assembly processes. All devices are rated to 0°C to 70°C or -40°C to 85°C operating temperature range.

## FEATURES

- 10/100Base-T, 1000Base-T, 2.5GBase-T or 5GBase-T
- Supports PoE and PoE+ (10/100Base-T)
- Compatible with surface mount with Paste in hole (PIH) technology
- -40°C to 85°C or 0°C to 70°C operating temperature range
- Combinations of green, yellow, orange, and red LED

## APPLICATIONS

- Internet of Things (Ethernet)
- IP cameras, surveillance, and phone
- Access points
- Industrial computers
- Network interface cards (NIC)
- Industrial process control
- Networking and communications
- Broadcast video
- Storage
- Set top box and video
- Power over Ethernet (PoE)
- Test and Measurement
- Multifunction Printers (MFP)

## OPTIONS AND PART IDENTIFICATION

ARJM11 [ ] [ ] - [ ] - [ ] [ ] - [ ] [ ] [ ] [ ]

| Mechanical                   | Pin Layout     | Schematics                | Left LED color  | Right LED color | Operating Temperature | Soldering Method | Gold Plating | Packaging      |
|------------------------------|----------------|---------------------------|-----------------|-----------------|-----------------------|------------------|--------------|----------------|
| A: Tab down, w/ EMI Fingers  | 1: for A and B | 009: 100 Base-T           | N: No LED       | N: No LED       | C: 0 ~ 70 °C          | W: Wave**        | 2: 6µ"       | Blank: Bulk    |
| B: Tab down, w/o EMI Fingers | 3: for A and B | 114: 100 Base-T POE*      | A: Green        | A: Green        | E: -40 ~ 85 °C        | R: Reflow        |              | T: Tape&Reel** |
| C: Tab up, w/ EMI Fingers*   | 7: for C and D | 104: 100 Base-T POE+*     | B: Yellow       | B: Yellow       |                       |                  |              |                |
| D: Tab up, w/o EMI Fingers*  |                | 502: 1000 Base-T          | K: Green/Orange | K: Green/Orange |                       |                  |              |                |
|                              |                | 805: 2.5G Base-T Option 1 |                 |                 |                       |                  |              |                |
|                              |                | 809: 2.5G Base-T Option 2 |                 |                 |                       |                  |              |                |
|                              |                | 811: 5G Base-T            |                 |                 |                       |                  |              |                |

(Please See Mechanical Dimension Section for Details)

(Please See Schematics Section for Details)

### Example Configurations

|  |
|--|
| <b>ARJM11 A1-009 -AB- C W 2</b>  |
| (Tab down, w/ EMI, 100Base-T, w/LED G/Y, commercial grade, 6µ" Gold, Tray Packaging)             |
| <b>ARJM11 D7-502 -NN- E R 2 - T</b>  |
| (Tab up, w/o EMI, 1000Base-T, no LED, industrial grade, reflow soldering, 6µ" Gold, Tape & Reel) |

\*114 and 104 schematics are only available with tab up RJ45 options C and D

\*\*Wave solderable product is only available in bulk/tray packaging

Please see the tables at the end of the document for the 216 standard part numbers. For each standard part number, MOQ is as low as 700pcs. For additional configuration, NRE or larger MOQs may apply.



5101 Hidden Creek Lane Spicewood TX 78751  
Phone: 512.371.6159 | email: abinfo@abracon.com  
For terms and conditions of sales visit:  
www.abracon.com

REVISED: 04.22.2019

ABRACON IS  
ISO9001-2015  
CERTIFIED

# RJ45 SINGLE PORT 100/1000/2.5G/5G BASE-T MAGNETICS



ARJM11

21.30 x 15.90 x 13.60mm  
21.30 x 15.90 x 13.80mm

UL Certification Number: E503350

RoHS/RoHS II Compliant

MSL = 1

## STANDARD SPECIFICATIONS

| Parameters               | Minimum | Typical | Maximum              | Units              | Notes                               |
|--------------------------|---------|---------|----------------------|--------------------|-------------------------------------|
| Turn Ratio ( $\pm 3\%$ ) | 1CT:1CT |         |                      |                    | 100kHz, 0.1V                        |
| Inductance               | 350     |         |                      | $\mu\text{H}$      | 100kHz, 0.1V, 8mADC                 |
|                          | 200     |         |                      |                    | For 2.5G Base-T only                |
|                          | 160     |         |                      |                    | For 5G Base-T only                  |
| Leakage Inductance       |         |         | 0.5                  | $\mu\text{H}$      | 100kHz, 0.1V                        |
|                          |         |         | 0.3                  |                    | For 2.5G Base-T and 5G Base-T       |
| DC Resistance            |         |         | 1.5                  | $\Omega$           |                                     |
| Hipot                    | 2250    |         |                      | VDC                | 1mA Max<br>Complies with IEEE 802.3 |
| Operating Temperature    | -40     |         | +85                  | $^{\circ}\text{C}$ | See options                         |
| Storage Temperature      | -40     |         | +85                  | $^{\circ}\text{C}$ |                                     |
| <b>100 Base-T</b>        |         |         |                      |                    |                                     |
| Insertion Loss           | -1.1    |         |                      | dB                 | 0.5-100MHz                          |
| Return Loss              |         |         | -18                  | dB                 | 0.5-30MHz                           |
|                          |         |         | $-18+20\log(f/30)^*$ |                    | 30.1-60MHz                          |
|                          |         |         | -12                  |                    | 60.1-80MHz                          |
| Crosstalk                |         |         | -35                  | dB                 | 0.5-40MHz                           |
|                          |         |         | $-33+20\log(f/50)^*$ |                    | 40.1-100MHz                         |
| CMRR                     |         |         | -30                  | dB                 | 0.5-100MHz                          |
| <b>1000 Base-T</b>       |         |         |                      |                    |                                     |
| Insertion Loss           | -1.1    |         |                      | dB                 | 0.5-100MHz                          |
| Return Loss              |         |         | -18                  | dB                 | 0.5-40MHz                           |
|                          |         |         | $-12+20\log(f/80)^*$ |                    | 40.1-100MHz                         |
| Crosstalk                |         |         | -35                  | dB                 | 0.5-40MHz                           |
|                          |         |         | $-33+20\log(f/50)^*$ |                    | 40.1-100MHz                         |
| CMRR                     |         |         | -30                  | dB                 | 0.5-100MHz                          |
| <b>2.5G Base-T</b>       |         |         |                      |                    |                                     |
| Insertion Loss           | -0.5    |         |                      | dB                 | 1-50MHz                             |
|                          | -1.0    |         |                      |                    | 50-125MHz                           |
| Return Loss              |         |         | -20                  | dB                 | 1-40MHz                             |
|                          |         |         | $-20+15\log(f/40)^*$ |                    | 40-200MHz                           |
| Crosstalk                |         |         | -30                  | dB                 | 25-125MHz                           |
| <b>5G Base-T</b>         |         |         |                      |                    |                                     |
| Insertion Loss           | -0.5    |         |                      | dB                 | 1-50MHz                             |
|                          | -1.0    |         |                      |                    | 50-125MHz                           |
|                          | -2.0    |         |                      |                    | 125-250MHz                          |
| Return Loss              |         |         | -20                  | dB                 | 1-40MHz                             |
|                          |         |         | $-20+15\log(f/40)^*$ |                    | 40-250MHz                           |
| Crosstalk                |         |         | -30                  | dB                 | 1-125MHz                            |
|                          |         |         | -25                  |                    | 125-250MHz                          |
| <b>POE</b>               |         |         |                      |                    |                                     |
| Balanced DC line current |         |         | 350                  | mA                 | @57VDC continuous                   |
|                          |         |         | 500                  |                    | @57VDC for 200ms                    |
| <b>POE+</b>              |         |         |                      |                    |                                     |
| Balanced DC line current |         |         | 600                  | mA                 | @57VDC continuous                   |
|                          |         |         | 720                  |                    | @57VDC for 200ms                    |



5101 Hidden Creek Lane Spicewood TX 78751  
Phone: 512.371.6159 | email: abinfo@abracon.com  
For terms and conditions of sales visit:  
www.abracon.com

REVISED: 04.22.2019

ABRACON IS  
ISO9001-2015  
CERTIFIED

# RJ45 SINGLE PORT 100/1000/2.5G/5G BASE-T MAGNETICS



ARJM11

21.30 x 15.90 x 13.60mm  
21.30 x 15.90 x 13.80mm

UL Certification Number: E503350  
RoHS/RoHS II Compliant  
MSL = 1

## MATERIALS

---

### 1. Housing:

Material:  
PBT, UL94V-0 (for wave soldering option)  
LCP, UL94V-0 (for IR reflow soldering option)  
Standard Color: Black

### 2. Insert:

Material:  
PBT, UL94V-0 (for wave soldering option)  
LCP, UL94V-0 (for IR Reflow soldering option)  
Contact Material: Phosphor Bronze  
Plating (1): Nickel  
Plating (2): Gold, 6u"

### 3. Metal Shell:

Material: Brass  
Plating (1): Nickel

### 4. Contact Pin:

Material: Phosphor Bronze  
Plating (1): Nickel  
Plating (2): 100%Sn

### 5. LED:

Material: Diffused Epoxy Lens, 0.5x0.5mm Carbon Steel wireframe leads

**Note: Abracon LLC will not alter any material composition, without prior written notification.**

# RJ45 SINGLE PORT 100/1000/2.5G/5G BASE-T MAGNETICS



ARJM11

21.30 x 15.90 x 13.60mm  
21.30 x 15.90 x 13.80mm

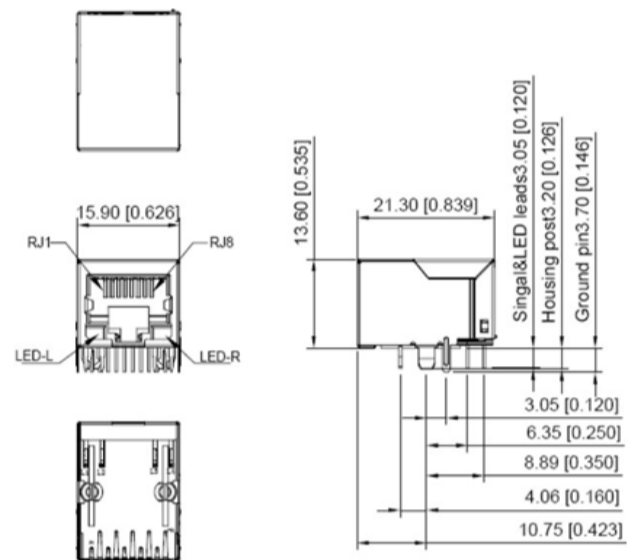
UL Certification Number: E503350  
RoHS/RoHS II Compliant  
MSL = 1

## MECHANICAL DRAWINGS

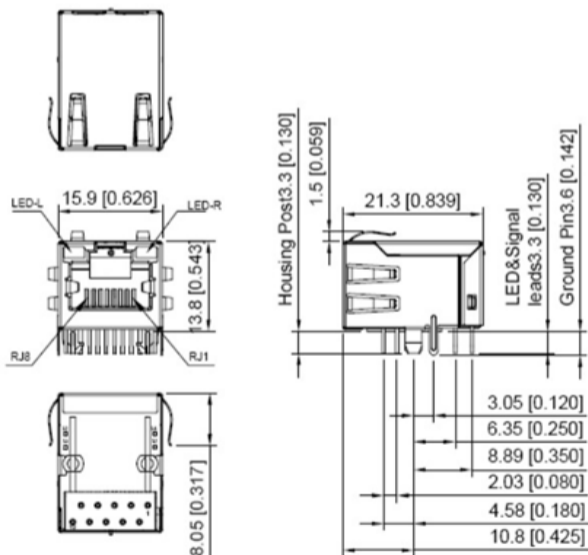
**A: Tab down, w/ EMI Fingers**



**B: Tab down, w/o EMI Fingers**



**C: Tab up, w/ EMI Fingers**



**D: Tab up, w/o EMI Fingers**



Dimensions: mm[inch] (Unless otherwise specified, all tolerances are ±0.25[0.010])

# RJ45 SINGLE PORT 100/1000/2.5G/5G BASE-T MAGNETICS



ARJM11

21.30 x 15.90 x 13.60mm  
21.30 x 15.90 x 13.80mm

UL Certification Number: E503350  
RoHS/RoHS II Compliant  
MSL = 1

## RECOMMENDED LANDING PATTERNS

**Pin Layout = 1 (Horizontal LEDs/ No LEDs \*\*only available for mechanical options A & B)**

**8 pins, no LED  
For 100 Base-T**



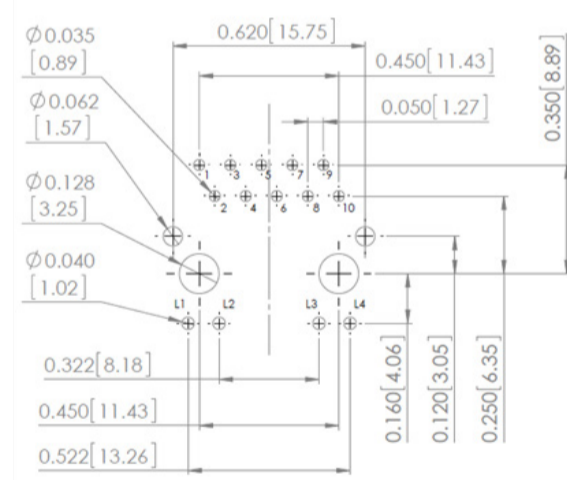
**8 pins, with LED  
For 100 Base-T**



**10 pins, no LED  
For 100&PoE/1000/2.5G/5G Base-T**



**10 Pins, w/ LED  
For 100&PoE/1000/2.5G/5G Base-T**



Dimensions: mm[inch]



5101 Hidden Creek Lane Spicewood TX 78751  
Phone: 512.371.6159 | email: abinfo@abracon.com  
For terms and conditions of sales visit:  
www.abracon.com

REVISED: 04.22.2019

ABRACON IS  
ISO9001-2015  
CERTIFIED

# RJ45 SINGLE PORT 100/1000/2.5G/5G BASE-T MAGNETICS



ARJM11

21.30 x 15.90 x 13.60mm  
21.30 x 15.90 x 13.80mm

UL Certification Number: E503350  
RoHS/RoHS II Compliant  
MSL = 1

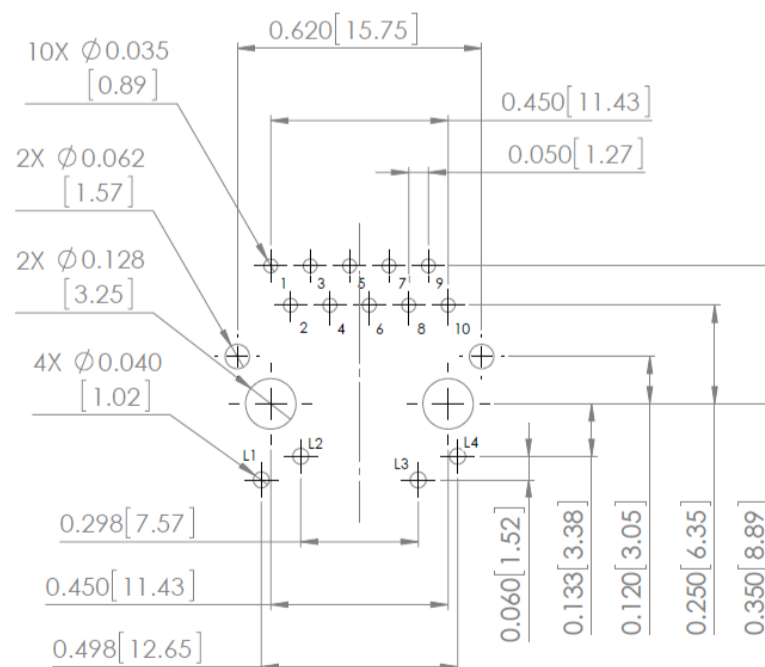
## RECOMMENDED LANDING PATTERNS

**Pin Layout = 3 (Diagonal LEDs \*\*only available for mechanical drawing A & B)**

8 pins, w/ LED  
For 100 Base-T



10 pins, w/ LED  
For 100&PoE/1000/2.5G/5G Base-T



Dimensions: mm[inch]



5101 Hidden Creek Lane Spicewood TX 78751  
Phone: 512.371.6159 | email: abinfo@abracon.com  
For terms and conditions of sales visit:  
www.abracon.com

REVISED: 04.22.2019

ABRACON IS  
ISO9001-2015  
CERTIFIED

# RJ45 SINGLE PORT 100/1000/2.5G/5G BASE-T MAGNETICS



21.30 x 15.90 x 13.60mm  
21.30 x 15.90 x 13.80mm

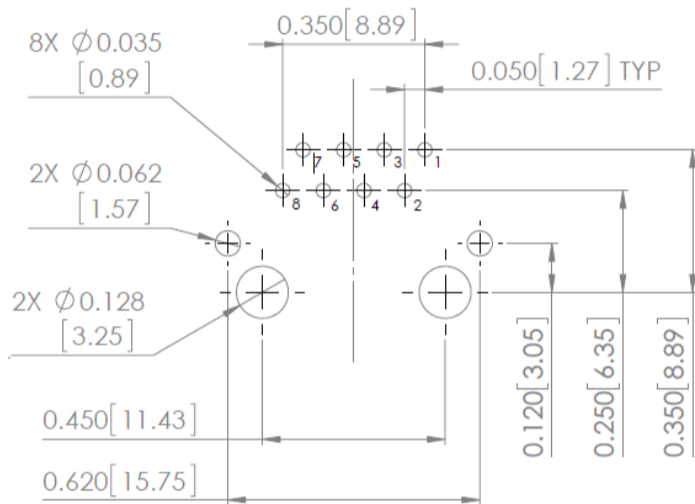
UL Certification Number: E503350  
RoHS/RoHS II Compliant  
MSL = 1

**ARJM11**

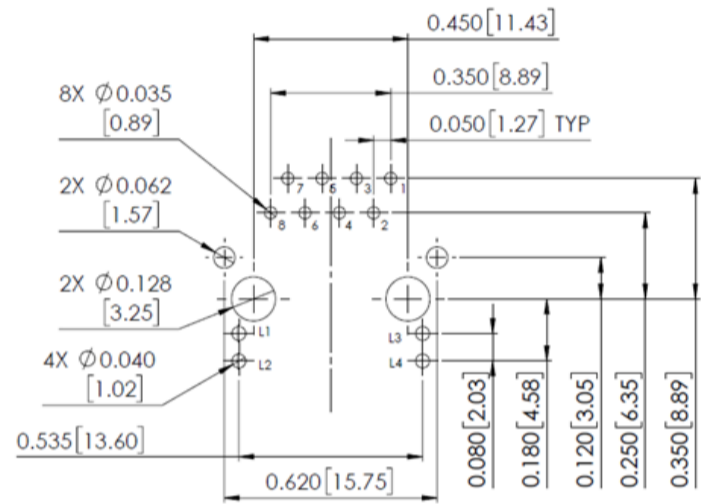
## RECOMMENDED LANDING PATTERNS

**Pin Layout = 7 (Vertical LEDs/ No LEDs \*\*only available for mechanical options C & D)**

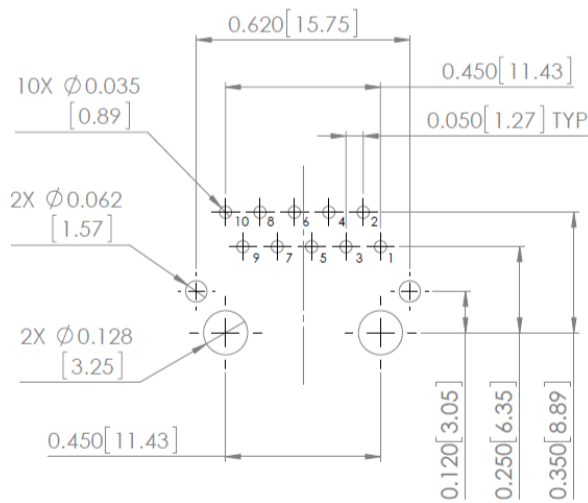
**8 pins, no LED  
For 100 Base-T**



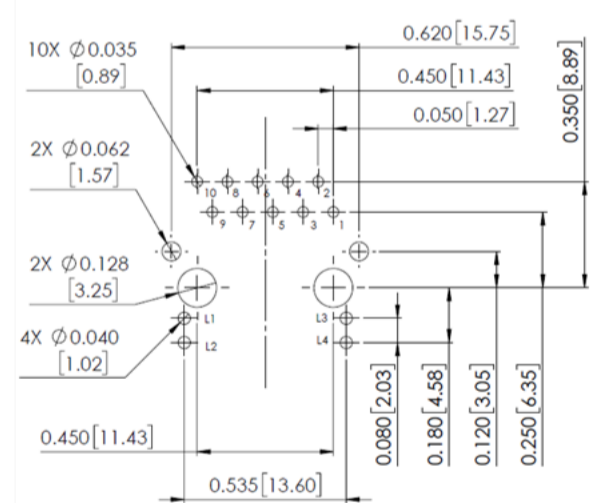
**8 pins, with LED  
For 100 Base-T**



**10 pins, no LED  
For 100&PoE/1000/2.5G/5G Base-T**



**10 Pins, with LED  
For 100&PoE/1000/2.5G/5G Base-T**



**Dimensions: mm[inch]**



5101 Hidden Creek Lane Spicewood TX 78751  
Phone: 512.371.6159 | email: abinfo@abracon.com  
For terms and conditions of sales visit:  
www.abracon.com

REVISED: 04.22.2019

ABRACON IS  
ISO9001-2015  
CERTIFIED

# RJ45 SINGLE PORT 100/1000/2.5G/5G BASE-T MAGNETICS



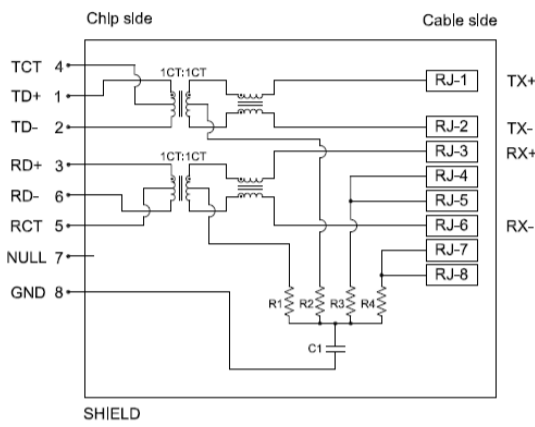
21.30 x 15.90 x 13.60mm  
21.30 x 15.90 x 13.80mm

UL Certification Number: E503350  
RoHS/RoHS II Compliant  
MSL = 1

ARJM11

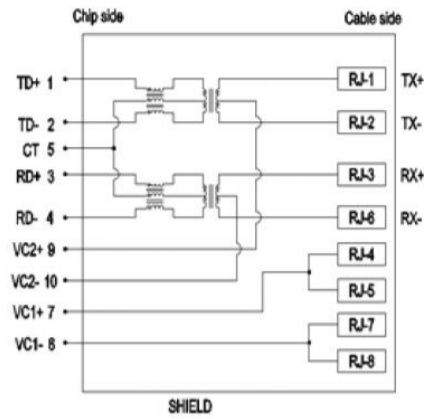
## SCHEMATICS

009 (100 Base-T)



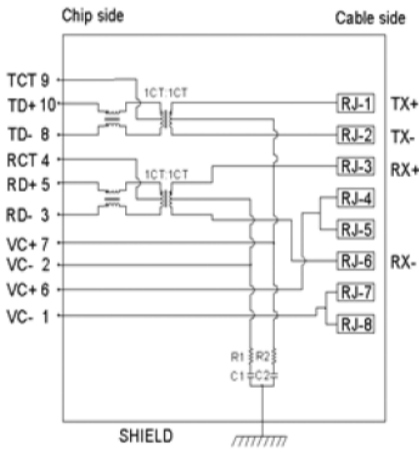
Note:  
R1-R4=75 OHMS, Resistors.  
C1=2KV 1000pF, Capacitor.

104 (100 Base-T & PoE+)



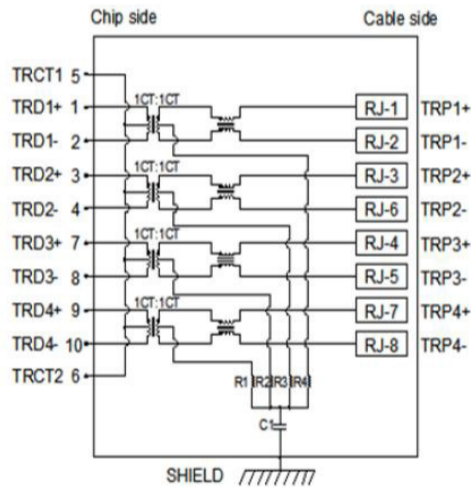
Note:  
Balanced DC line current:  
600 mA Max@57VDC Continuous  
720 mA Max@57VDC for 200 milliseconds

114 (100 Base-T & PoE)



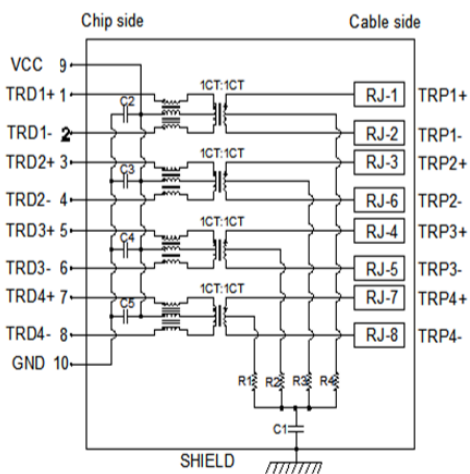
Note:  
R1-R2=75 OHMS, Resistors.  
C1-C2=2KV 1000pF, Capacitor.  
Balanced DC line Current :  
350mA Max @57 VDC Continuous ;  
500mA Max @57 VDC for 200 Milliseconds

502 (1000 Base-T)



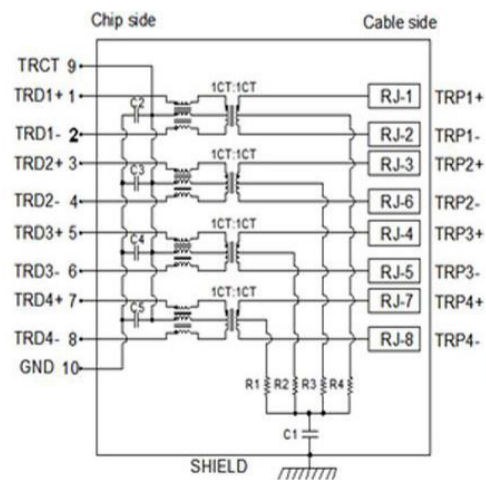
Note:  
R1-R4=75 OHMS, Resistors.  
C1=2KV 1000pF, Capacitor.

805 (2.5G Base-T)



Note:  
R1-R4=75 OHMS, Resistors.  
C1=2KV 1000pF, Capacitor.  
C2-C5=100V 100nF, Capacitor.

809 (2.5G Base-T)



Note:  
R1-R4=75 OHMS, Resistors.  
C1=3KV 1000pF, Capacitor.  
C2-C5=100V 100nF, Capacitor.



# RJ45 SINGLE PORT 100/1000/2.5G/5G BASE-T MAGNETICS



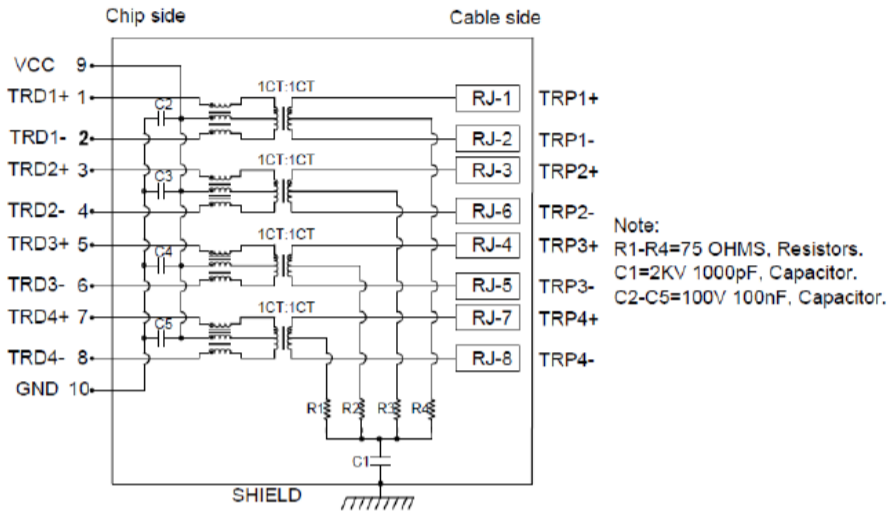
21.30 x 15.90 x 13.60mm  
21.30 x 15.90 x 13.80mm

UL Certification Number: E503350  
RoHS/RoHS II Compliant  
MSL = 1

ARJM11

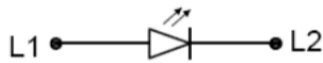
## SCHEMATICS

811 (5G Base-T)

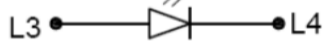


Contact Abracon for more custom configuration options.

LED-L



LED-R



\*Note: If two LED colors are selected for left (right) side, for the first color, L1(L3) is anode and L2(L4) is cathode; for the second color, L1(L3) is cathode and L2(L4) is anode.  
For example, if J (Green/Yellow) is selected for left LED, L1 to L2 is Green; L2 to L1 is Yellow.

### LED SPECIFICATION. @20mA Forward Current

| Color           | Green     | Yellow    | Orange    | Red       |
|-----------------|-----------|-----------|-----------|-----------|
| Wavelength      | 565nm Typ | 585nm Typ | 605nm Typ | 635nm Typ |
| Forward Voltage | 2.2V Typ  | 2.1V Typ  | 2.1V Typ  | 1.8V Typ  |

## WAVE SOLDERING PROFILE



5101 Hidden Creek Lane Spicewood TX 78751  
Phone: 512.371.6159 | email: abinfo@abracon.com  
For terms and conditions of sales visit:  
www.abracon.com

REVISED: 04.22.2019

ABRACON IS  
ISO9001-2015  
CERTIFIED

# RJ45 SINGLE PORT 100/1000/2.5G/5G BASE-T MAGNETICS



21.30 x 15.90 x 13.60mm  
21.30 x 15.90 x 13.80mm

UL Certification Number: E503350  
RoHS/RoHS II Compliant  
MSL = 1

ARJM11

## REFLOW SOLDERING PROFILE



| Zone | Description | Temperature                                | Times           |
|------|-------------|--|-----------------|
| 1    | Preheat     | $T_{SMIN}$ to $T_{SMAX}$<br>150°C to 180°C | 120 to 180 sec. |
| 2    | Reflow      | $T_L$<br>217°C                             | 60 to 150 sec.  |
| 3    | Peak heat   | $T_P$<br>245°C                             | 5 sec. MAX      |

## PACKING: TRAY & TAPE AND REEL

Bulk/Tray: 70pcs/tray, 700pcs/carton)

Tray Size: L315.0 x W200.0 mm, Transparent PET

Tape & Reel (70pcs/reel, 350pcs/carton)



DIMENSIONS: mm



DIMENSIONS: mm



5101 Hidden Creek Lane Spicewood TX 78751  
Phone: 512.371.6159 | email: abinfo@abracon.com  
For terms and conditions of sales visit:  
www.abracon.com

REVISED: 04.22.2019

ABRACON IS  
ISO9001-2015  
CERTIFIED

# RJ45 SINGLE PORT 100/1000/2.5G/5G BASE-T MAGNETICS



ARJM11

21.30 x 15.90 x 13.60mm  
21.30 x 15.90 x 13.80mm

UL Certification Number: E503350  
RoHS/RoHS II Compliant  
MSL = 1

## 100 BASE-T STANDARD PART NUMBERS

| Part Number           | Speed      | Tab Direction | LED                 | Operating Temperature | Soldering Method |
|-----------------------|------------|---------------|---------------------|-----------------------|------------------|
| ARJM11C7-009-NN-CW2   | 100 Base-T | Tab Up        | No LED              | 0°C ~ 70°C            | Wave             |
| ARJM11C7-009-NN-EW2   | 100 Base-T | Tab Up        | No LED              | -40°C ~ 85°C          | Wave             |
| ARJM11C7-009-NN-ER2-T | 100 Base-T | Tab Up        | No LED              | -40°C ~ 85°C          | Reflow           |
| ARJM11C7-009-AB-CW2   | 100 Base-T | Tab Up        | Left: G, Right: Y   | 0°C ~ 70°C            | Wave             |
| ARJM11C7-009-AB-EW2   | 100 Base-T | Tab Up        | Left: G, Right: Y   | -40°C ~ 85°C          | Wave             |
| ARJM11C7-009-AB-ER2-T | 100 Base-T | Tab Up        | Left: G, Right: Y   | -40°C ~ 85°C          | Reflow           |
| ARJM11C7-009-KB-CW2   | 100 Base-T | Tab Up        | Left: G/O, Right: Y | 0°C ~ 70°C            | Wave             |
| ARJM11C7-009-KB-EW2   | 100 Base-T | Tab Up        | Left: G/O, Right: Y | -40°C ~ 85°C          | Wave             |
| ARJM11C7-009-KB-ER2-T | 100 Base-T | Tab Up        | Left: G/O, Right: Y | -40°C ~ 85°C          | Reflow           |
| ARJM11D7-009-NN-CW2   | 100 Base-T | Tab Up        | No LED              | 0°C ~ 70°C            | Wave             |
| ARJM11D7-009-NN-EW2   | 100 Base-T | Tab Up        | No LED              | -40°C ~ 85°C          | Wave             |
| ARJM11D7-009-NN-ER2-T | 100 Base-T | Tab Up        | No LED              | -40°C ~ 85°C          | Reflow           |
| ARJM11D7-009-AB-CW2   | 100 Base-T | Tab Up        | Left: G, Right: Y   | 0°C ~ 70°C            | Wave             |
| ARJM11D7-009-AB-EW2   | 100 Base-T | Tab Up        | Left: G, Right: Y   | -40°C ~ 85°C          | Wave             |
| ARJM11D7-009-AB-ER2-T | 100 Base-T | Tab Up        | Left: G, Right: Y   | -40°C ~ 85°C          | Reflow           |
| ARJM11D7-009-KB-CW2   | 100 Base-T | Tab Up        | Left: G/O, Right: Y | 0°C ~ 70°C            | Wave             |
| ARJM11D7-009-KB-EW2   | 100 Base-T | Tab Up        | Left: G/O, Right: Y | -40°C ~ 85°C          | Wave             |
| ARJM11D7-009-KB-ER2-T | 100 Base-T | Tab Up        | Left: G/O, Right: Y | -40°C ~ 85°C          | Reflow           |
| ARJM11A1-009-NN-CW2   | 100 Base-T | Tab Down      | No LED              | 0°C ~ 70°C            | Wave             |
| ARJM11A1-009-NN-EW2   | 100 Base-T | Tab Down      | No LED              | -40°C ~ 85°C          | Wave             |
| ARJM11A1-009-NN-ER2-T | 100 Base-T | Tab Down      | No LED              | -40°C ~ 85°C          | Reflow           |
| ARJM11A1-009-AB-CW2   | 100 Base-T | Tab Down      | Left: G, Right: Y   | 0°C ~ 70°C            | Wave             |
| ARJM11A1-009-AB-EW2   | 100 Base-T | Tab Down      | Left: G, Right: Y   | -40°C ~ 85°C          | Wave             |
| ARJM11A1-009-AB-ER2-T | 100 Base-T | Tab Down      | Left: G, Right: Y   | -40°C ~ 85°C          | Reflow           |
| ARJM11A1-009-KB-CW2   | 100 Base-T | Tab Down      | Left: G/O, Right: Y | 0°C ~ 70°C            | Wave             |
| ARJM11A1-009-KB-EW2   | 100 Base-T | Tab Down      | Left: G/O, Right: Y | -40°C ~ 85°C          | Wave             |
| ARJM11A1-009-KB-ER2-T | 100 Base-T | Tab Down      | Left: G/O, Right: Y | -40°C ~ 85°C          | Reflow           |
| ARJM11B1-009-NN-CW2   | 100 Base-T | Tab Down      | No LED              | 0°C ~ 70°C            | Wave             |
| ARJM11B1-009-NN-EW2   | 100 Base-T | Tab Down      | No LED              | -40°C ~ 85°C          | Wave             |
| ARJM11B1-009-NN-ER2-T | 100 Base-T | Tab Down      | No LED              | -40°C ~ 85°C          | Reflow           |
| ARJM11B1-009-AB-CW2   | 100 Base-T | Tab Down      | Left: G, Right: Y   | 0°C ~ 70°C            | Wave             |
| ARJM11B1-009-AB-EW2   | 100 Base-T | Tab Down      | Left: G, Right: Y   | -40°C ~ 85°C          | Wave             |
| ARJM11B1-009-AB-ER2-T | 100 Base-T | Tab Down      | Left: G, Right: Y   | -40°C ~ 85°C          | Reflow           |
| ARJM11B1-009-KB-CW2   | 100 Base-T | Tab Down      | Left: G/O, Right: Y | 0°C ~ 70°C            | Wave             |
| ARJM11B1-009-KB-EW2   | 100 Base-T | Tab Down      | Left: G/O, Right: Y | -40°C ~ 85°C          | Wave             |
| ARJM11B1-009-KB-ER2-T | 100 Base-T | Tab Down      | Left: G/O, Right: Y | -40°C ~ 85°C          | Reflow           |



5101 Hidden Creek Lane Spicewood TX 78751  
Phone: 512.371.6159 | email: abinfo@abracon.com  
For terms and conditions of sales visit:  
www.abracon.com

REVISED: 04.22.2019

ABRACON IS  
ISO9001-2015  
CERTIFIED

# RJ45 SINGLE PORT 100/1000/2.5G/5G BASE-T MAGNETICS



ARJM11

21.30 x 15.90 x 13.60mm  
21.30 x 15.90 x 13.80mm

UL Certification Number: E503350  
RoHS/RoHS II Compliant  
MSL = 1

## 100 BASE-T POE AND POE+ STANDARD PART NUMBERS

| Part Number           | Speed           | Tab Direction | LED                 | Operating Temperature | Soldering Method |
|-----------------------|-----------------|---------------|---------------------|-----------------------|------------------|
| ARJM11C7-114-NN-CW2   | 100 Base-T POE  | Tab Up        | No LED              | 0°C ~ 70°C            | Wave             |
| ARJM11C7-114-NN-EW2   | 100 Base-T POE  | Tab Up        | No LED              | -40°C ~ 85°C          | Wave             |
| ARJM11C7-114-NN-ER2-T | 100 Base-T POE  | Tab Up        | No LED              | -40°C ~ 85°C          | Reflow           |
| ARJM11C7-114-AB-CW2   | 100 Base-T POE  | Tab Up        | Left: G, Right: Y   | 0°C ~ 70°C            | Wave             |
| ARJM11C7-114-AB-EW2   | 100 Base-T POE  | Tab Up        | Left: G, Right: Y   | -40°C ~ 85°C          | Wave             |
| ARJM11C7-114-AB-ER2-T | 100 Base-T POE  | Tab Up        | Left: G, Right: Y   | -40°C ~ 85°C          | Reflow           |
| ARJM11C7-114-KB-CW2   | 100 Base-T POE  | Tab Up        | Left: G/O, Right: Y | 0°C ~ 70°C            | Wave             |
| ARJM11C7-114-KB-EW2   | 100 Base-T POE  | Tab Up        | Left: G/O, Right: Y | -40°C ~ 85°C          | Wave             |
| ARJM11C7-114-KB-ER2-T | 100 Base-T POE  | Tab Up        | Left: G/O, Right: Y | -40°C ~ 85°C          | Reflow           |
| ARJM11D7-114-NN-CW2   | 100 Base-T POE  | Tab Up        | No LED              | 0°C ~ 70°C            | Wave             |
| ARJM11D7-114-NN-EW2   | 100 Base-T POE  | Tab Up        | No LED              | -40°C ~ 85°C          | Wave             |
| ARJM11D7-114-NN-ER2-T | 100 Base-T POE  | Tab Up        | No LED              | -40°C ~ 85°C          | Reflow           |
| ARJM11D7-114-AB-CW2   | 100 Base-T POE  | Tab Up        | Left: G, Right: Y   | 0°C ~ 70°C            | Wave             |
| ARJM11D7-114-AB-EW2   | 100 Base-T POE  | Tab Up        | Left: G, Right: Y   | -40°C ~ 85°C          | Wave             |
| ARJM11D7-114-AB-ER2-T | 100 Base-T POE  | Tab Up        | Left: G, Right: Y   | -40°C ~ 85°C          | Reflow           |
| ARJM11D7-114-KB-CW2   | 100 Base-T POE  | Tab Up        | Left: G/O, Right: Y | 0°C ~ 70°C            | Wave             |
| ARJM11D7-114-KB-EW2   | 100 Base-T POE  | Tab Up        | Left: G/O, Right: Y | -40°C ~ 85°C          | Wave             |
| ARJM11D7-114-KB-ER2-T | 100 Base-T POE  | Tab Up        | Left: G/O, Right: Y | -40°C ~ 85°C          | Reflow           |
| ARJM11C7-104-NN-CW2   | 100 Base-T POE+ | Tab Up        | No LED              | 0°C ~ 70°C            | Wave             |
| ARJM11C7-104-NN-EW2   | 100 Base-T POE+ | Tab Up        | No LED              | -40°C ~ 85°C          | Wave             |
| ARJM11C7-104-NN-ER2-T | 100 Base-T POE+ | Tab Up        | No LED              | -40°C ~ 85°C          | Reflow           |
| ARJM11C7-104-AB-CW2   | 100 Base-T POE+ | Tab Up        | Left: G, Right: Y   | 0°C ~ 70°C            | Wave             |
| ARJM11C7-104-AB-EW2   | 100 Base-T POE+ | Tab Up        | Left: G, Right: Y   | -40°C ~ 85°C          | Wave             |
| ARJM11C7-104-AB-ER2-T | 100 Base-T POE+ | Tab Up        | Left: G, Right: Y   | -40°C ~ 85°C          | Reflow           |
| ARJM11C7-104-KB-CW2   | 100 Base-T POE+ | Tab Up        | Left: G/O, Right: Y | 0°C ~ 70°C            | Wave             |
| ARJM11C7-104-KB-EW2   | 100 Base-T POE+ | Tab Up        | Left: G/O, Right: Y | -40°C ~ 85°C          | Wave             |
| ARJM11C7-104-KB-ER2-T | 100 Base-T POE+ | Tab Up        | Left: G/O, Right: Y | -40°C ~ 85°C          | Reflow           |
| ARJM11D7-104-NN-CW2   | 100 Base-T POE+ | Tab Up        | No LED              | 0°C ~ 70°C            | Wave             |
| ARJM11D7-104-NN-EW2   | 100 Base-T POE+ | Tab Up        | No LED              | -40°C ~ 85°C          | Wave             |
| ARJM11D7-104-NN-ER2-T | 100 Base-T POE+ | Tab Up        | No LED              | -40°C ~ 85°C          | Reflow           |
| ARJM11D7-104-AB-CW2   | 100 Base-T POE+ | Tab Up        | Left: G, Right: Y   | 0°C ~ 70°C            | Wave             |
| ARJM11D7-104-AB-EW2   | 100 Base-T POE+ | Tab Up        | Left: G, Right: Y   | -40°C ~ 85°C          | Wave             |
| ARJM11D7-104-AB-ER2-T | 100 Base-T POE+ | Tab Up        | Left: G, Right: Y   | -40°C ~ 85°C          | Reflow           |
| ARJM11D7-104-KB-CW2   | 100 Base-T POE+ | Tab Up        | Left: G/O, Right: Y | 0°C ~ 70°C            | Wave             |
| ARJM11D7-104-KB-EW2   | 100 Base-T POE+ | Tab Up        | Left: G/O, Right: Y | -40°C ~ 85°C          | Wave             |
| ARJM11D7-104-KB-ER2-T | 100 Base-T POE+ | Tab Up        | Left: G/O, Right: Y | -40°C ~ 85°C          | Reflow           |



5101 Hidden Creek Lane Spicewood TX 78751  
Phone: 512.371.6159 | email: abinfo@abracon.com  
For terms and conditions of sales visit:  
www.abracon.com

REVISED: 04.22.2019

ABRACON IS  
ISO9001-2015  
CERTIFIED

# RJ45 SINGLE PORT 100/1000/2.5G/5G BASE-T MAGNETICS



ARJM11

21.30 x 15.90 x 13.60mm

21.30 x 15.90 x 13.80mm

UL Certification Number: E503350

RoHS/RoHS II Compliant

MSL = 1

## 1000 BASE-T STANDARD PART NUMBERS

| Part Number           | Speed       | Tab Direction | LED                 | Operating Temperature | Soldering Method |
|-----------------------|-------------|---------------|---------------------|-----------------------|------------------|
| ARJM11C7-502-NN-CW2   | 1000 Base-T | Tab Up        | No LED              | 0°C ~ 70°C            | Wave             |
| ARJM11C7-502-NN-EW2   | 1000 Base-T | Tab Up        | No LED              | -40°C ~ 85°C          | Wave             |
| ARJM11C7-502-NN-ER2-T | 1000 Base-T | Tab Up        | No LED              | -40°C ~ 85°C          | Reflow           |
| ARJM11C7-502-AB-CW2   | 1000 Base-T | Tab Up        | Left: G, Right: Y   | 0°C ~ 70°C            | Wave             |
| ARJM11C7-502-AB-EW2   | 1000 Base-T | Tab Up        | Left: G, Right: Y   | -40°C ~ 85°C          | Wave             |
| ARJM11C7-502-AB-ER2-T | 1000 Base-T | Tab Up        | Left: G, Right: Y   | -40°C ~ 85°C          | Reflow           |
| ARJM11C7-502-KB-CW2   | 1000 Base-T | Tab Up        | Left: G/O, Right: Y | 0°C ~ 70°C            | Wave             |
| ARJM11C7-502-KB-EW2   | 1000 Base-T | Tab Up        | Left: G/O, Right: Y | -40°C ~ 85°C          | Wave             |
| ARJM11C7-502-KB-ER2-T | 1000 Base-T | Tab Up        | Left: G/O, Right: Y | -40°C ~ 85°C          | Reflow           |
| ARJM11D7-502-NN-CW2   | 1000 Base-T | Tab Up        | No LED              | 0°C ~ 70°C            | Wave             |
| ARJM11D7-502-NN-EW2   | 1000 Base-T | Tab Up        | No LED              | -40°C ~ 85°C          | Wave             |
| ARJM11D7-502-NN-ER2-T | 1000 Base-T | Tab Up        | No LED              | -40°C ~ 85°C          | Reflow           |
| ARJM11D7-502-AB-CW2   | 1000 Base-T | Tab Up        | Left: G, Right: Y   | 0°C ~ 70°C            | Wave             |
| ARJM11D7-502-AB-EW2   | 1000 Base-T | Tab Up        | Left: G, Right: Y   | -40°C ~ 85°C          | Wave             |
| ARJM11D7-502-AB-ER2-T | 1000 Base-T | Tab Up        | Left: G, Right: Y   | -40°C ~ 85°C          | Reflow           |
| ARJM11D7-502-KB-CW2   | 1000 Base-T | Tab Up        | Left: G/O, Right: Y | 0°C ~ 70°C            | Wave             |
| ARJM11D7-502-KB-EW2   | 1000 Base-T | Tab Up        | Left: G/O, Right: Y | -40°C ~ 85°C          | Wave             |
| ARJM11D7-502-KB-ER2-T | 1000 Base-T | Tab Up        | Left: G/O, Right: Y | -40°C ~ 85°C          | Reflow           |
| ARJM11A1-502-NN-CW2   | 1000 Base-T | Tab Down      | No LED              | 0°C ~ 70°C            | Wave             |
| ARJM11A1-502-NN-EW2   | 1000 Base-T | Tab Down      | No LED              | -40°C ~ 85°C          | Wave             |
| ARJM11A1-502-NN-ER2-T | 1000 Base-T | Tab Down      | No LED              | -40°C ~ 85°C          | Reflow           |
| ARJM11A1-502-AB-CW2   | 1000 Base-T | Tab Down      | Left: G, Right: Y   | 0°C ~ 70°C            | Wave             |
| ARJM11A1-502-AB-EW2   | 1000 Base-T | Tab Down      | Left: G, Right: Y   | -40°C ~ 85°C          | Wave             |
| ARJM11A1-502-AB-ER2-T | 1000 Base-T | Tab Down      | Left: G, Right: Y   | -40°C ~ 85°C          | Reflow           |
| ARJM11A1-502-KB-CW2   | 1000 Base-T | Tab Down      | Left: G/O, Right: Y | 0°C ~ 70°C            | Wave             |
| ARJM11A1-502-KB-EW2   | 1000 Base-T | Tab Down      | Left: G/O, Right: Y | -40°C ~ 85°C          | Wave             |
| ARJM11A1-502-KB-ER2-T | 1000 Base-T | Tab Down      | Left: G/O, Right: Y | -40°C ~ 85°C          | Reflow           |
| ARJM11B1-502-NN-CW2   | 1000 Base-T | Tab Down      | No LED              | 0°C ~ 70°C            | Wave             |
| ARJM11B1-502-NN-EW2   | 1000 Base-T | Tab Down      | No LED              | -40°C ~ 85°C          | Wave             |
| ARJM11B1-502-NN-ER2-T | 1000 Base-T | Tab Down      | No LED              | -40°C ~ 85°C          | Reflow           |
| ARJM11B1-502-AB-CW2   | 1000 Base-T | Tab Down      | Left: G, Right: Y   | 0°C ~ 70°C            | Wave             |
| ARJM11B1-502-AB-EW2   | 1000 Base-T | Tab Down      | Left: G, Right: Y   | -40°C ~ 85°C          | Wave             |
| ARJM11B1-502-AB-ER2-T | 1000 Base-T | Tab Down      | Left: G, Right: Y   | -40°C ~ 85°C          | Reflow           |
| ARJM11B1-502-KB-CW2   | 1000 Base-T | Tab Down      | Left: G/O, Right: Y | 0°C ~ 70°C            | Wave             |
| ARJM11B1-502-KB-EW2   | 1000 Base-T | Tab Down      | Left: G/O, Right: Y | -40°C ~ 85°C          | Wave             |
| ARJM11B1-502-KB-ER2-T | 1000 Base-T | Tab Down      | Left: G/O, Right: Y | -40°C ~ 85°C          | Reflow           |



5101 Hidden Creek Lane Spicewood TX 78751  
 Phone: 512.371.6159 | email: abinfo@abracon.com  
 For terms and conditions of sales visit:  
[www.abracon.com](http://www.abracon.com)

REVISED: 04.22.2019

ABRACON IS  
 ISO9001-2015  
 CERTIFIED

# RJ45 SINGLE PORT 100/1000/2.5G/5G BASE-T MAGNETICS



ARJM11

21.30 x 15.90 x 13.60mm  
21.30 x 15.90 x 13.80mm

UL Certification Number: E503350  
RoHS/RoHS II Compliant  
MSL = 1

## 2.5 BASE-T STANDARD PART NUMBERS

| Part Number           | Speed       | Tab Direction | LED                 | Operating Temperature | Soldering Method |
|-----------------------|-------------|---------------|---------------------|-----------------------|------------------|
| ARJM11C7-805-NN-CW2   | 2.5G Base-T | Tab Up        | No LED              | 0°C ~ 70°C            | Wave             |
| ARJM11C7-805-NN-EW2   | 2.5G Base-T | Tab Up        | No LED              | -40°C ~ 85°C          | Wave             |
| ARJM11C7-805-NN-ER2-T | 2.5G Base-T | Tab Up        | No LED              | -40°C ~ 85°C          | Reflow           |
| ARJM11C7-805-AB-CW2   | 2.5G Base-T | Tab Up        | Left: G, Right: Y   | 0°C ~ 70°C            | Wave             |
| ARJM11C7-805-AB-EW2   | 2.5G Base-T | Tab Up        | Left: G, Right: Y   | -40°C ~ 85°C          | Wave             |
| ARJM11C7-805-AB-ER2-T | 2.5G Base-T | Tab Up        | Left: G, Right: Y   | -40°C ~ 85°C          | Reflow           |
| ARJM11C7-805-KB-CW2   | 2.5G Base-T | Tab Up        | Left: G/O, Right: Y | 0°C ~ 70°C            | Wave             |
| ARJM11C7-805-KB-EW2   | 2.5G Base-T | Tab Up        | Left: G/O, Right: Y | -40°C ~ 85°C          | Wave             |
| ARJM11C7-805-KB-ER2-T | 2.5G Base-T | Tab Up        | Left: G/O, Right: Y | -40°C ~ 85°C          | Reflow           |
| ARJM11D7-805-NN-CW2   | 2.5G Base-T | Tab Up        | No LED              | 0°C ~ 70°C            | Wave             |
| ARJM11D7-805-NN-EW2   | 2.5G Base-T | Tab Up        | No LED              | -40°C ~ 85°C          | Wave             |
| ARJM11D7-805-NN-ER2-T | 2.5G Base-T | Tab Up        | No LED              | -40°C ~ 85°C          | Reflow           |
| ARJM11D7-805-AB-CW2   | 2.5G Base-T | Tab Up        | Left: G, Right: Y   | 0°C ~ 70°C            | Wave             |
| ARJM11D7-805-AB-EW2   | 2.5G Base-T | Tab Up        | Left: G, Right: Y   | -40°C ~ 85°C          | Wave             |
| ARJM11D7-805-AB-ER2-T | 2.5G Base-T | Tab Up        | Left: G, Right: Y   | -40°C ~ 85°C          | Reflow           |
| ARJM11D7-805-KB-CW2   | 2.5G Base-T | Tab Up        | Left: G/O, Right: Y | 0°C ~ 70°C            | Wave             |
| ARJM11D7-805-KB-EW2   | 2.5G Base-T | Tab Up        | Left: G/O, Right: Y | -40°C ~ 85°C          | Wave             |
| ARJM11D7-805-KB-ER2-T | 2.5G Base-T | Tab Up        | Left: G/O, Right: Y | -40°C ~ 85°C          | Reflow           |
| ARJM11A1-805-NN-CW2   | 2.5G Base-T | Tab Down      | No LED              | 0°C ~ 70°C            | Wave             |
| ARJM11A1-805-NN-EW2   | 2.5G Base-T | Tab Down      | No LED              | -40°C ~ 85°C          | Wave             |
| ARJM11A1-805-NN-ER2-T | 2.5G Base-T | Tab Down      | No LED              | -40°C ~ 85°C          | Reflow           |
| ARJM11A1-805-AB-CW2   | 2.5G Base-T | Tab Down      | Left: G, Right: Y   | 0°C ~ 70°C            | Wave             |
| ARJM11A1-805-AB-EW2   | 2.5G Base-T | Tab Down      | Left: G, Right: Y   | -40°C ~ 85°C          | Wave             |
| ARJM11A1-805-AB-ER2-T | 2.5G Base-T | Tab Down      | Left: G, Right: Y   | -40°C ~ 85°C          | Reflow           |
| ARJM11A1-805-KB-CW2   | 2.5G Base-T | Tab Down      | Left: G/O, Right: Y | 0°C ~ 70°C            | Wave             |
| ARJM11A1-805-KB-EW2   | 2.5G Base-T | Tab Down      | Left: G/O, Right: Y | -40°C ~ 85°C          | Wave             |
| ARJM11A1-805-KB-ER2-T | 2.5G Base-T | Tab Down      | Left: G/O, Right: Y | -40°C ~ 85°C          | Reflow           |
| ARJM11B1-805-NN-CW2   | 2.5G Base-T | Tab Down      | No LED              | 0°C ~ 70°C            | Wave             |
| ARJM11B1-805-NN-EW2   | 2.5G Base-T | Tab Down      | No LED              | -40°C ~ 85°C          | Wave             |
| ARJM11B1-805-NN-ER2-T | 2.5G Base-T | Tab Down      | No LED              | -40°C ~ 85°C          | Reflow           |
| ARJM11B1-805-AB-CW2   | 2.5G Base-T | Tab Down      | Left: G, Right: Y   | 0°C ~ 70°C            | Wave             |
| ARJM11B1-805-AB-EW2   | 2.5G Base-T | Tab Down      | Left: G, Right: Y   | -40°C ~ 85°C          | Wave             |
| ARJM11B1-805-AB-ER2-T | 2.5G Base-T | Tab Down      | Left: G, Right: Y   | -40°C ~ 85°C          | Reflow           |
| ARJM11B1-805-KB-CW2   | 2.5G Base-T | Tab Down      | Left: G/O, Right: Y | 0°C ~ 70°C            | Wave             |
| ARJM11B1-805-KB-EW2   | 2.5G Base-T | Tab Down      | Left: G/O, Right: Y | -40°C ~ 85°C          | Wave             |
| ARJM11B1-805-KB-ER2-T | 2.5G Base-T | Tab Down      | Left: G/O, Right: Y | -40°C ~ 85°C          | Reflow           |



5101 Hidden Creek Lane Spicewood TX 78751  
Phone: 512.371.6159 | email: abinfo@abracon.com  
For terms and conditions of sales visit:  
www.abracon.com

REVISED: 04.22.2019

ABRACON IS  
ISO9001-2015  
CERTIFIED

# RJ45 SINGLE PORT 100/1000/2.5G/5G BASE-T MAGNETICS



ARJM11

21.30 x 15.90 x 13.60mm  
21.30 x 15.90 x 13.80mm

UL Certification Number: E503350  
RoHS/RoHS II Compliant  
MSL = 1

## 5G BASE-T STANDARD PART NUMBERS

| Part Number           | Speed     | Tab Direction | LED                 | Operating Temperature | Soldering Method |
|-----------------------|-----------|---------------|---------------------|-----------------------|------------------|
| ARJM11C7-811-NN-CW2   | 5G Base-T | Tab Up        | No LED              | 0°C ~ 70°C            | Wave             |
| ARJM11C7-811-NN-EW2   | 5G Base-T | Tab Up        | No LED              | -40°C ~ 85°C          | Wave             |
| ARJM11C7-811-NN-ER2-T | 5G Base-T | Tab Up        | No LED              | -40°C ~ 85°C          | Reflow           |
| ARJM11C7-811-AB-CW2   | 5G Base-T | Tab Up        | Left: G, Right: Y   | 0°C ~ 70°C            | Wave             |
| ARJM11C7-811-AB-EW2   | 5G Base-T | Tab Up        | Left: G, Right: Y   | -40°C ~ 85°C          | Wave             |
| ARJM11C7-811-AB-ER2-T | 5G Base-T | Tab Up        | Left: G, Right: Y   | -40°C ~ 85°C          | Reflow           |
| ARJM11C7-811-KB-CW2   | 5G Base-T | Tab Up        | Left: G/O, Right: Y | 0°C ~ 70°C            | Wave             |
| ARJM11C7-811-KB-EW2   | 5G Base-T | Tab Up        | Left: G/O, Right: Y | -40°C ~ 85°C          | Wave             |
| ARJM11C7-811-KB-ER2-T | 5G Base-T | Tab Up        | Left: G/O, Right: Y | -40°C ~ 85°C          | Reflow           |
| ARJM11D7-811-NN-CW2   | 5G Base-T | Tab Up        | No LED              | 0°C ~ 70°C            | Wave             |
| ARJM11D7-811-NN-EW2   | 5G Base-T | Tab Up        | No LED              | -40°C ~ 85°C          | Wave             |
| ARJM11D7-811-NN-ER2-T | 5G Base-T | Tab Up        | No LED              | -40°C ~ 85°C          | Reflow           |
| ARJM11D7-811-AB-CW2   | 5G Base-T | Tab Up        | Left: G, Right: Y   | 0°C ~ 70°C            | Wave             |
| ARJM11D7-811-AB-EW2   | 5G Base-T | Tab Up        | Left: G, Right: Y   | -40°C ~ 85°C          | Wave             |
| ARJM11D7-811-AB-ER2-T | 5G Base-T | Tab Up        | Left: G, Right: Y   | -40°C ~ 85°C          | Reflow           |
| ARJM11D7-811-KB-CW2   | 5G Base-T | Tab Up        | Left: G/O, Right: Y | 0°C ~ 70°C            | Wave             |
| ARJM11D7-811-KB-EW2   | 5G Base-T | Tab Up        | Left: G/O, Right: Y | -40°C ~ 85°C          | Wave             |
| ARJM11D7-811-KB-ER2-T | 5G Base-T | Tab Up        | Left: G/O, Right: Y | -40°C ~ 85°C          | Reflow           |
| ARJM11A1-811-NN-CW2   | 5G Base-T | Tab Down      | No LED              | 0°C ~ 70°C            | Wave             |
| ARJM11A1-811-NN-EW2   | 5G Base-T | Tab Down      | No LED              | -40°C ~ 85°C          | Wave             |
| ARJM11A1-811-NN-ER2-T | 5G Base-T | Tab Down      | No LED              | -40°C ~ 85°C          | Reflow           |
| ARJM11A1-811-AB-CW2   | 5G Base-T | Tab Down      | Left: G, Right: Y   | 0°C ~ 70°C            | Wave             |
| ARJM11A1-811-AB-EW2   | 5G Base-T | Tab Down      | Left: G, Right: Y   | -40°C ~ 85°C          | Wave             |
| ARJM11A1-811-AB-ER2-T | 5G Base-T | Tab Down      | Left: G, Right: Y   | -40°C ~ 85°C          | Reflow           |
| ARJM11A1-811-KB-CW2   | 5G Base-T | Tab Down      | Left: G/O, Right: Y | 0°C ~ 70°C            | Wave             |
| ARJM11A1-811-KB-EW2   | 5G Base-T | Tab Down      | Left: G/O, Right: Y | -40°C ~ 85°C          | Wave             |
| ARJM11A1-811-KB-ER2-T | 5G Base-T | Tab Down      | Left: G/O, Right: Y | -40°C ~ 85°C          | Reflow           |
| ARJM11B1-811-NN-CW2   | 5G Base-T | Tab Down      | No LED              | 0°C ~ 70°C            | Wave             |
| ARJM11B1-811-NN-EW2   | 5G Base-T | Tab Down      | No LED              | -40°C ~ 85°C          | Wave             |
| ARJM11B1-811-NN-ER2-T | 5G Base-T | Tab Down      | No LED              | -40°C ~ 85°C          | Reflow           |
| ARJM11B1-811-AB-CW2   | 5G Base-T | Tab Down      | Left: G, Right: Y   | 0°C ~ 70°C            | Wave             |
| ARJM11B1-811-AB-EW2   | 5G Base-T | Tab Down      | Left: G, Right: Y   | -40°C ~ 85°C          | Wave             |
| ARJM11B1-811-AB-ER2-T | 5G Base-T | Tab Down      | Left: G, Right: Y   | -40°C ~ 85°C          | Reflow           |
| ARJM11B1-811-KB-CW2   | 5G Base-T | Tab Down      | Left: G/O, Right: Y | 0°C ~ 70°C            | Wave             |
| ARJM11B1-811-KB-EW2   | 5G Base-T | Tab Down      | Left: G/O, Right: Y | -40°C ~ 85°C          | Wave             |
| ARJM11B1-811-KB-ER2-T | 5G Base-T | Tab Down      | Left: G/O, Right: Y | -40°C ~ 85°C          | Reflow           |



5101 Hidden Creek Lane Spicewood TX 78751  
Phone: 512.371.6159 | email: abinfo@abracon.com  
For terms and conditions of sales visit:  
www.abracon.com

REVISED: 04.22.2019

ABRACON IS  
ISO9001-2015  
CERTIFIED

# RJ45 SINGLE PORT 100/1000/2.5G/5G BASE-T MAGNETICS



ARJM11

21.30 x 15.90 x 13.60mm

21.30 x 15.90 x 13.80mm

UL Certification Number: E503350

RoHS/RoHS II Compliant

MSL = 1

## 2.5 BASE-T STANDARD PART NUMBERS CONT.

| Part Number           | Speed       | Tab Direction | LED                 | Operating Temperature | Soldering Method |
|-----------------------|-------------|---------------|---------------------|-----------------------|------------------|
| ARJM11C7-809-NN-CW2   | 2.5G Base-T | Tab Up        | No LED              | 0°C ~ 70°C            | Wave             |
| ARJM11C7-809-NN-EW2   | 2.5G Base-T | Tab Up        | No LED              | -40°C ~ 85°C          | Wave             |
| ARJM11C7-809-NN-ER2-T | 2.5G Base-T | Tab Up        | No LED              | -40°C ~ 85°C          | Reflow           |
| ARJM11C7-809-AB-CW2   | 2.5G Base-T | Tab Up        | Left: G, Right: Y   | 0°C ~ 70°C            | Wave             |
| ARJM11C7-809-AB-EW2   | 2.5G Base-T | Tab Up        | Left: G, Right: Y   | -40°C ~ 85°C          | Wave             |
| ARJM11C7-809-AB-ER2-T | 2.5G Base-T | Tab Up        | Left: G, Right: Y   | -40°C ~ 85°C          | Reflow           |
| ARJM11C7-809-KB-CW2   | 2.5G Base-T | Tab Up        | Left: G/O, Right: Y | 0°C ~ 70°C            | Wave             |
| ARJM11C7-809-KB-EW2   | 2.5G Base-T | Tab Up        | Left: G/O, Right: Y | -40°C ~ 85°C          | Wave             |
| ARJM11C7-809-KB-ER2-T | 2.5G Base-T | Tab Up        | Left: G/O, Right: Y | -40°C ~ 85°C          | Reflow           |
| ARJM11D7-809-NN-CW2   | 2.5G Base-T | Tab Up        | No LED              | 0°C ~ 70°C            | Wave             |
| ARJM11D7-809-NN-EW2   | 2.5G Base-T | Tab Up        | No LED              | -40°C ~ 85°C          | Wave             |
| ARJM11D7-809-NN-ER2-T | 2.5G Base-T | Tab Up        | No LED              | -40°C ~ 85°C          | Reflow           |
| ARJM11D7-809-AB-CW2   | 2.5G Base-T | Tab Up        | Left: G, Right: Y   | 0°C ~ 70°C            | Wave             |
| ARJM11D7-809-AB-EW2   | 2.5G Base-T | Tab Up        | Left: G, Right: Y   | -40°C ~ 85°C          | Wave             |
| ARJM11D7-809-AB-ER2-T | 2.5G Base-T | Tab Up        | Left: G, Right: Y   | -40°C ~ 85°C          | Reflow           |
| ARJM11D7-809-KB-CW2   | 2.5G Base-T | Tab Up        | Left: G/O, Right: Y | 0°C ~ 70°C            | Wave             |
| ARJM11D7-809-KB-EW2   | 2.5G Base-T | Tab Up        | Left: G/O, Right: Y | -40°C ~ 85°C          | Wave             |
| ARJM11D7-809-KB-ER2-T | 2.5G Base-T | Tab Up        | Left: G/O, Right: Y | -40°C ~ 85°C          | Reflow           |
| ARJM11A1-809-NN-CW2   | 2.5G Base-T | Tab Down      | No LED              | 0°C ~ 70°C            | Wave             |
| ARJM11A1-809-NN-EW2   | 2.5G Base-T | Tab Down      | No LED              | -40°C ~ 85°C          | Wave             |
| ARJM11A1-809-NN-ER2-T | 2.5G Base-T | Tab Down      | No LED              | -40°C ~ 85°C          | Reflow           |
| ARJM11A1-809-AB-CW2   | 2.5G Base-T | Tab Down      | Left: G, Right: Y   | 0°C ~ 70°C            | Wave             |
| ARJM11A1-809-AB-EW2   | 2.5G Base-T | Tab Down      | Left: G, Right: Y   | -40°C ~ 85°C          | Wave             |
| ARJM11A1-809-AB-ER2-T | 2.5G Base-T | Tab Down      | Left: G, Right: Y   | -40°C ~ 85°C          | Reflow           |
| ARJM11A1-809-KB-CW2   | 2.5G Base-T | Tab Down      | Left: G/O, Right: Y | 0°C ~ 70°C            | Wave             |
| ARJM11A1-809-KB-EW2   | 2.5G Base-T | Tab Down      | Left: G/O, Right: Y | -40°C ~ 85°C          | Wave             |
| ARJM11A1-809-KB-ER2-T | 2.5G Base-T | Tab Down      | Left: G/O, Right: Y | -40°C ~ 85°C          | Reflow           |
| ARJM11B1-809-NN-CW2   | 2.5G Base-T | Tab Down      | No LED              | 0°C ~ 70°C            | Wave             |
| ARJM11B1-809-NN-EW2   | 2.5G Base-T | Tab Down      | No LED              | -40°C ~ 85°C          | Wave             |
| ARJM11B1-809-NN-ER2-T | 2.5G Base-T | Tab Down      | No LED              | -40°C ~ 85°C          | Reflow           |
| ARJM11B1-809-AB-CW2   | 2.5G Base-T | Tab Down      | Left: G, Right: Y   | 0°C ~ 70°C            | Wave             |
| ARJM11B1-809-AB-EW2   | 2.5G Base-T | Tab Down      | Left: G, Right: Y   | -40°C ~ 85°C          | Wave             |
| ARJM11B1-809-AB-ER2-T | 2.5G Base-T | Tab Down      | Left: G, Right: Y   | -40°C ~ 85°C          | Reflow           |
| ARJM11B1-809-KB-CW2   | 2.5G Base-T | Tab Down      | Left: G/O, Right: Y | 0°C ~ 70°C            | Wave             |
| ARJM11B1-809-KB-EW2   | 2.5G Base-T | Tab Down      | Left: G/O, Right: Y | -40°C ~ 85°C          | Wave             |
| ARJM11B1-809-KB-ER2-T | 2.5G Base-T | Tab Down      | Left: G/O, Right: Y | -40°C ~ 85°C          | Reflow           |



5101 Hidden Creek Lane Spicewood TX 78751  
 Phone: 512.371.6159 | email: abinfo@abracon.com  
 For terms and conditions of sales visit:  
[www.abracon.com](http://www.abracon.com)

REVISED: 04.22.2019

ABRACON IS  
 ISO9001-2015  
 CERTIFIED





Компания «ЭлектроПласт» предлагает заключение долгосрочных отношений при поставках импортных электронных компонентов на взаимовыгодных условиях!

Наши преимущества:

- Оперативные поставки широкого спектра электронных компонентов отечественного и импортного производства напрямую от производителей и с крупнейших мировых складов;
- Поставка более 17-ти миллионов наименований электронных компонентов;
- Поставка сложных, дефицитных, либо снятых с производства позиций;
- Оперативные сроки поставки под заказ (от 5 рабочих дней);
- Экспресс доставка в любую точку России;
- Техническая поддержка проекта, помощь в подборе аналогов, поставка прототипов;
- Система менеджмента качества сертифицирована по Международному стандарту ISO 9001;
- Лицензия ФСБ на осуществление работ с использованием сведений, составляющих государственную тайну;
- Поставка специализированных компонентов (Xilinx, Altera, Analog Devices, Intersil, Interpoint, Microsemi, Aeroflex, Peregrine, Syfer, Eurofarad, Texas Instrument, Miteq, Cobham, E2V, MA-COM, Hittite, Mini-Circuits, General Dynamics и др.);

Помимо этого, одним из направлений компании «ЭлектроПласт» является направление «Источники питания». Мы предлагаем Вам помощь Конструкторского отдела:

- Подбор оптимального решения, техническое обоснование при выборе компонента;
- Подбор аналогов;
- Консультации по применению компонента;
- Поставка образцов и прототипов;
- Техническая поддержка проекта;
- Защита от снятия компонента с производства.



#### Как с нами связаться

**Телефон:** 8 (812) 309 58 32 (многоканальный)

**Факс:** 8 (812) 320-02-42

**Электронная почта:** [org@eplast1.ru](mailto:org@eplast1.ru)

**Адрес:** 198099, г. Санкт-Петербург, ул. Калинина, дом 2, корпус 4, литера А.