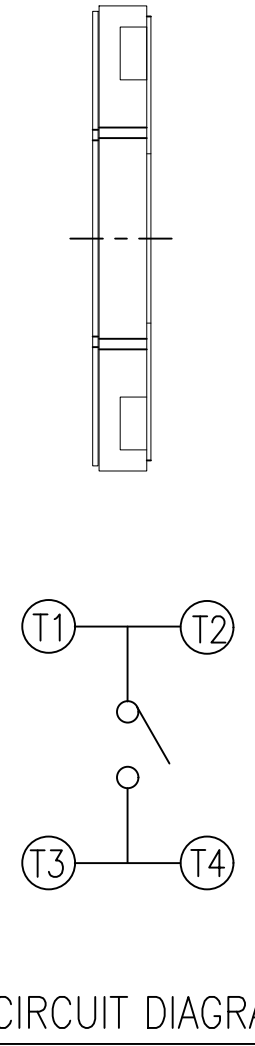
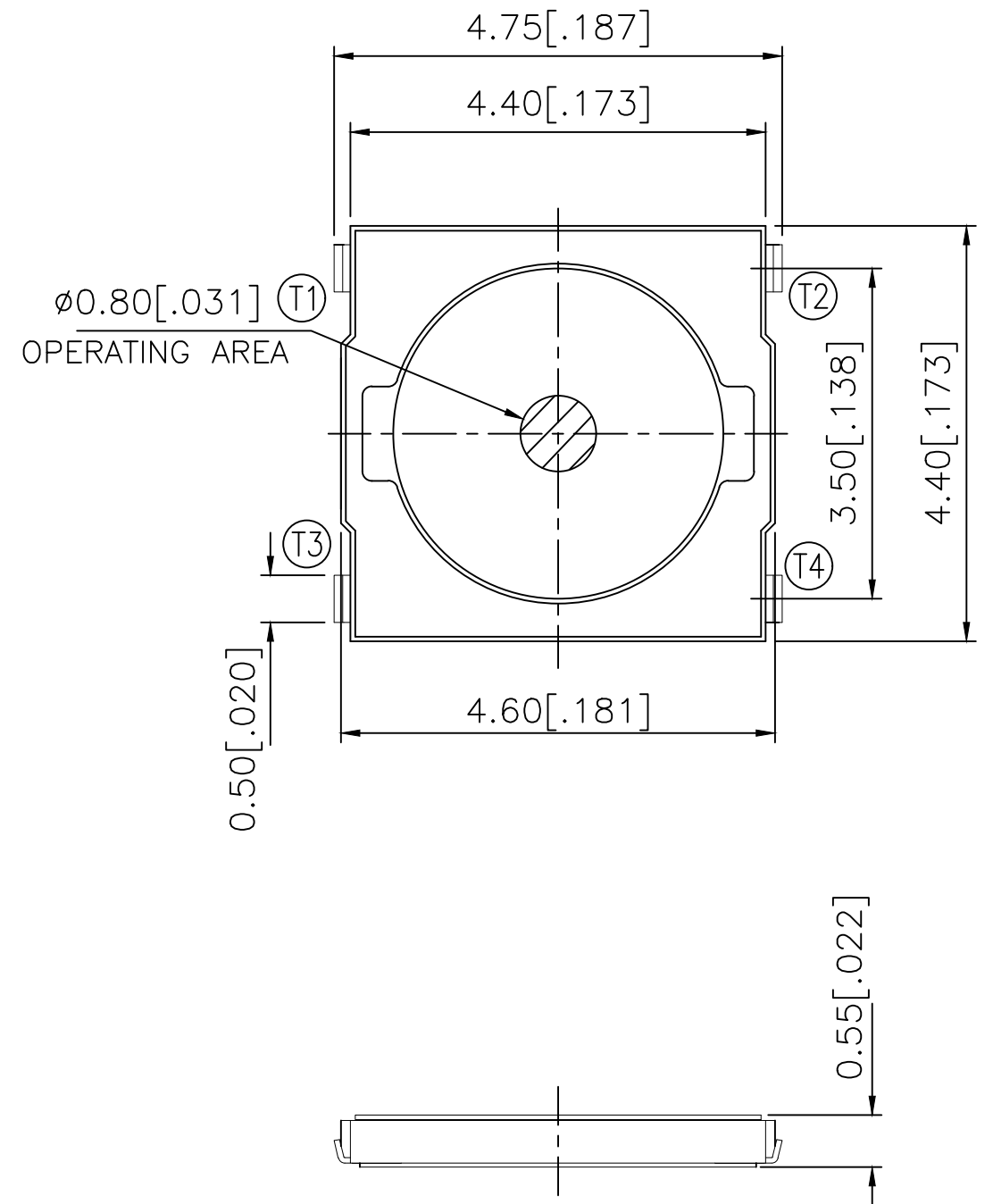
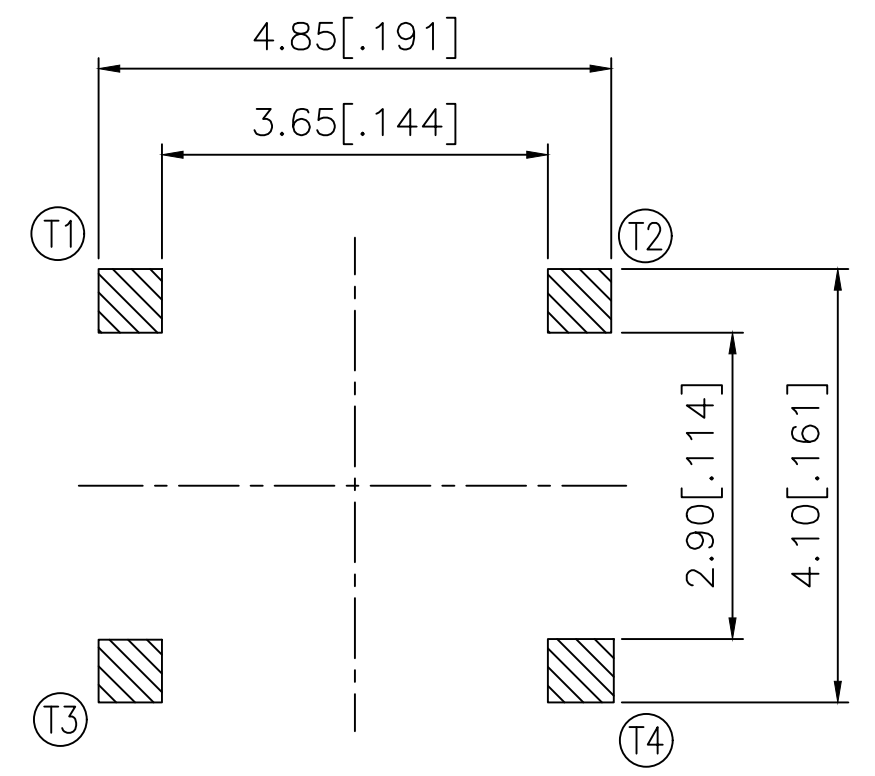


THIS DRAWING IS UNPUBLISHED. RELEASED FOR PUBLICATION
 © COPYRIGHT - TE Connectivity Ltd. ALL RIGHTS RESERVED.

REVISIONS					
P	LTR	DESCRIPTION	DATE	DWN	APVD
	B	REVISED PER ECR-19-004770	10APR2019	SR	DD




CIRCUIT DIAGRAM



P.C.B. LAYOUT

260±50	MCSLPT4644B4TR	2337234-4
200±50	MCSLPT4644B3TR	2337234-3
160±50	MCSLPT4644B2TR	2337234-2
100±50	MCSLPT4644B1TR	2337234-1
ACTUATION FORCE (gf)	SMART PART NUMBER	PART NUMBER

THIS DRAWING IS A CONTROLLED DOCUMENT.		DWN	GANESH C M 04JUL2018		 TE Connectivity Ltd.
DIMENSIONS: mm [INCHES]		CHK	ALEXANDER SHARPE 03JUL2018		
TOLERANCES UNLESS OTHERWISE SPECIFIED:		APVD	ALEXANDER SHARPE 04JUL2018		
0 PLC ± - 1 PLC ± - 2 PLC ± 0.2 [.008] 3 PLC ± - 4 PLC ± - ANGLES ± -		PRODUCT SPEC	-		
MATERIAL		FINISH	-		NAME
-		-	-		SWITCH, TACTILE, LOW-PROFILE, MICRO-MINI, 4.6 x 4.4 x 0.55, J BEND
		WEIGHT	-		SIZE
			-		A3
			-		CAGE CODE
			-		00779
			-		DRAWING NO
			-		G-2337234
			-		RESTRICTED TO
			-		-
			-		SCALE
			-		NTS
			-		SHEET
			-		1 OF 3
			-		REV
			-		B

THIS DRAWING IS UNPUBLISHED.

RELEASED FOR PUBLICATION

© COPYRIGHT - TE Connectivity Ltd.

ALL RIGHTS RESERVED.

REVISIONS

P	LTR	DESCRIPTION	DATE	DWN	APVD
-	-	SEE SHEET 1	-	-	-

NOTES:

1. MATERIALS:

TERMINAL: COPPER ALLOY, SILVER FINISH
 BASE: THERMOPLASTIC, UL 94V-0, BLACK
 TAPE: POLYIMIDE
 CONTACT: STAINLESS STEEL, SILVER FINISH

2. COMPLIANCE:

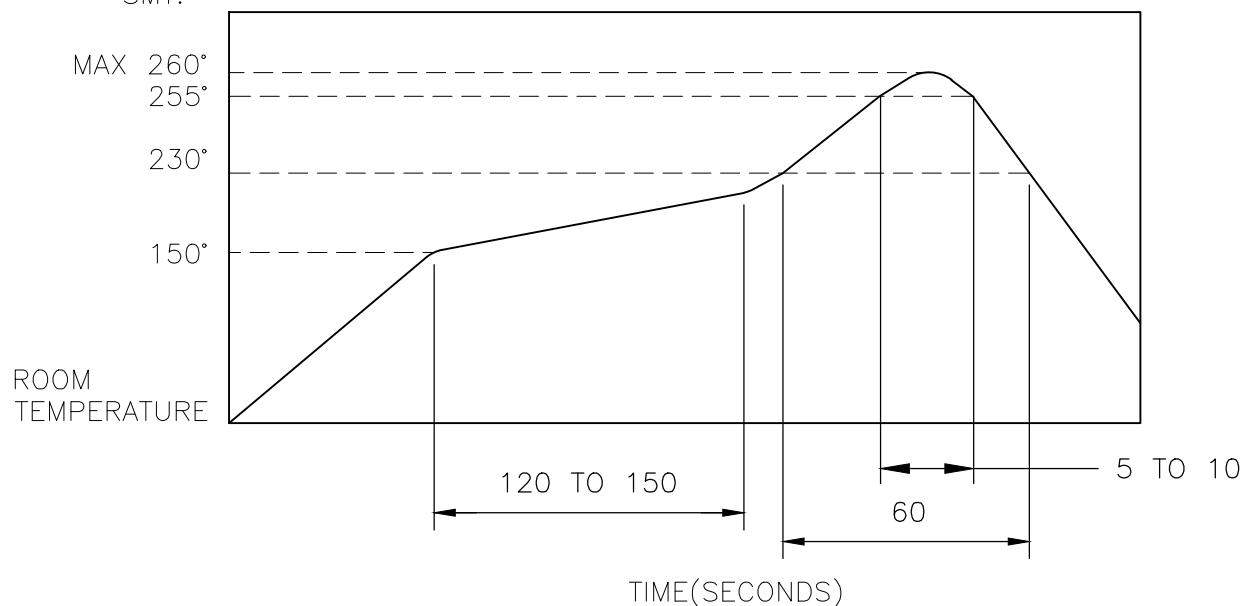
ALL MATERIALS AND FINISHES SHALL COMPLY WITH EU
 DIRECTIVE 2002/95/EC OF 27JAN2003(RoHS)

3. SPECIFICATIONS:

RATING: 50 mA, 12V DC
 CONTACT RESISTANCE: 100mΩ MAXIMUM (INITIAL)
 INSULATION RESISTANCE: 100MΩ MINIMUM (INITIAL)
 DIELECTRIC STRENGTH: 300V AC, 1 MINUTE
 OPERATING LIFE: 2337234-1 (100gf) = 1,000,000 CYCLES WITH LOAD
 2337234-2 (160gf) = 1,000,000 CYCLES WITH LOAD
 2337234-3 (200gf) = 500,000 CYCLES WITH LOAD
 2337234-4 (260gf) = 500,000 CYCLES WITH LOAD
 TRAVEL: 0.2±0.1 [.008±.004]
 ACTUATION FORCE: 2337234-1 = 100±50gf
 2337234-2 = 160±50gf
 2337234-3 = 200±50gf
 2337234-4 = 260±50gf
 OPERATING TEMPERATURE: -20° TO 70°C
 STORAGE TEMPERATURE: -30° TO 80°C

4. SOLDER CONDITIONS:

SMT:



THE CONDITON NOTED ABOVE IS THE TEMPERATURE OF THE COPPER FOIL ON THE SURFACE OF THE PCB. THERE ARE CASES WHERE THE TEMPERATURE OF THE BOARD GREATLY DIFFERS FROM THE SURFACE OF THE SWITCH. DO NOT ALLOW THE SURFACE TEMPERATURE OF THE SWITCH TO EXCEED 260°C.

MANUAL SOLDERING:

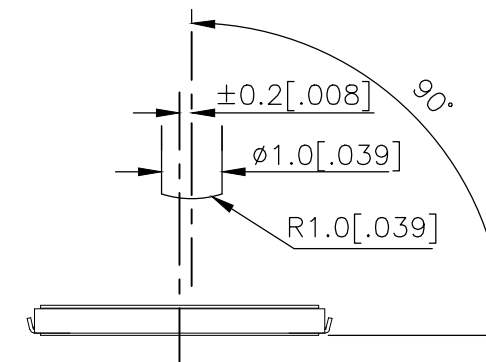
SOLDERING TEMPERATURE	350°C MAXIMUM
CONTINUOUS SOLDERING TIME	5 SECONDS MAXIMUM

HANDLING PRECAUTIONS:

1. CARE SHOULD BE EXERCISED SO THAT FLUX FROM THE TOP SURFACE OF THE PRINTED CIRCUIT BOARD DOES NOT ADHERE TO THE SWITCH.
2. DO NOT WASH THE SWITCH

5. OPERATING PRECAUTIONS:

1. DO NOT ACTUATE THE SWITCH WITH EXCESSIVE FORCE
2. DISCONTINUE FORCE AFTER THE SWITCH HAS BEEN ACTUATED SO AS TO AVOID DEFORMATION OF THE COMPONENTS OF THE SWITCH. DEFORMATION OF THE COMPONENTS MAY CAUSE THE SWITCH TO MALFUNCTION.
3. ALIGN THE PLUNGER WITH THE SWITCH TO INSURE PROPER OPERATION



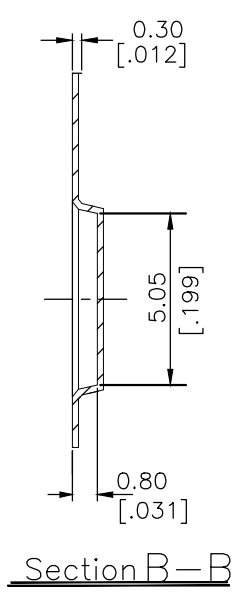
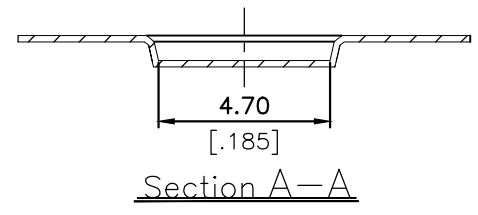
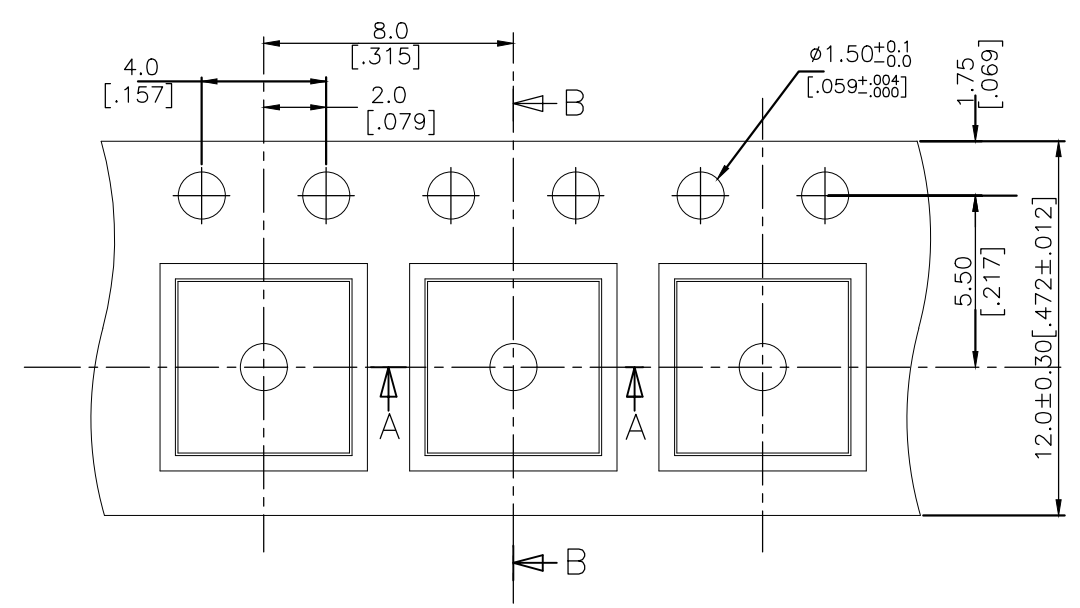
RECOMMENDED OPERATING CONDITIONS

THIS DRAWING IS A CONTROLLED DOCUMENT.		DWN	GANESH C M		04JUL2018	TE Connectivity Ltd.	
DIMENSIONS: mm [INCHES]		CHK	ALEXANDER SHARPE		04JUL2018		
		APVD	ALEXANDER SHARPE		04JUL2018	NAME	
TOLERANCES UNLESS OTHERWISE SPECIFIED:		PRODUCT SPEC		SWITCH, TACTILE, LOW-PROFILE, MICRO-MINI, 4.6 x 4.4 x 0.55, J BEND			
0 PLC ± -		APPLICATION SPEC		-			
1 PLC ± -		SIZE	CAGE CODE	DRAWING NO		RESTRICTED TO	
2 PLC ± 0.2 [.008]		-		A3 00779 C-2337234		-	
3 PLC ± -		WEIGHT		CUSTOMER DRAWING			
4 PLC ± -		-		SCALE	NTS	SHEET	2 OF 3
ANGLES ± -		-		REV		B	
FINISH		-					

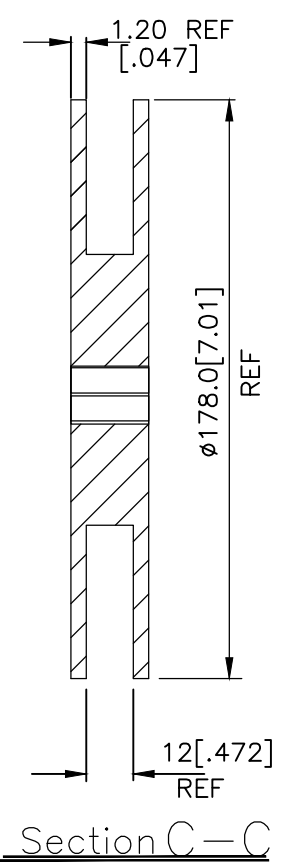
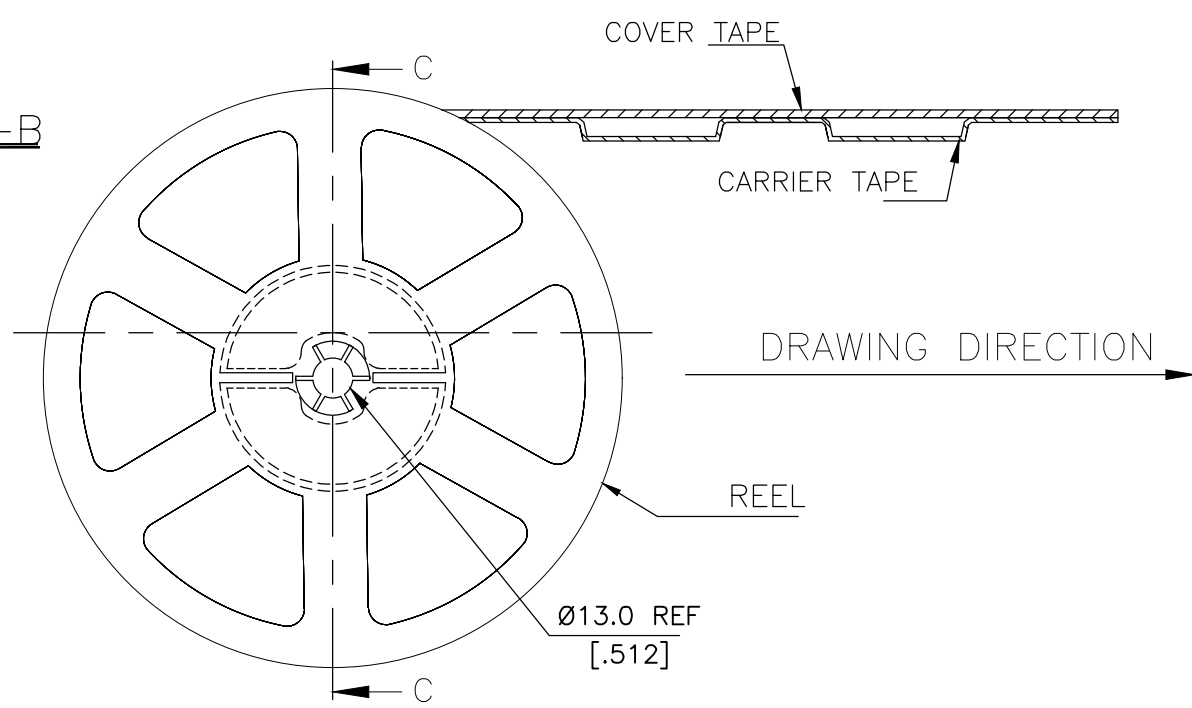
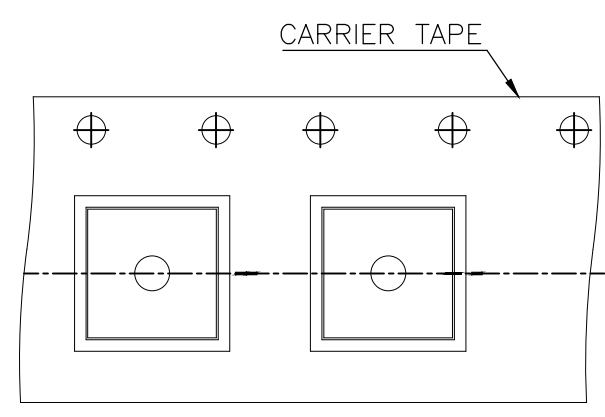
THIS DRAWING IS UNPUBLISHED. RELEASED FOR PUBLICATION
 © COPYRIGHT - TE Connectivity Ltd. ALL RIGHTS RESERVED.

REVISIONS					
P	LTR	DESCRIPTION	DATE	DWN	APVD
-	-	SEE SHEET 1	-	-	-

THE DIMENSIONS OF CARRIER TAPE AND REEL



ORIENTATION OF PILOT HOLES



6. PACKAGING:

1. THE TAPE AND REEL ARE SHOWN FOR CUSTOMER APPLICATION REFERENCE. PACKAGING NOTES 3 AND 4 ARE REQUIRED BUT NOT ILLUSTRATED.
2. 2,500 SWITCHES PER REEL.
3. THE REEL, DESICCANT POUCH AND HUMIDITY CARD ARE SEALED IN A MOISTURE BARRIER BAG PER THE CURRENT REVISION OF IPC/JEDEC J-STD-033, MSL 2A REQUIREMENTS.
4. THE MOISTURE BARRIER BAG IS LABELED PER THE CURRENT REVISION OF IPC/JEDEC J-STD-033, MSL 2A REQUIREMENTS.

THIS DRAWING IS A CONTROLLED DOCUMENT.		DWN GANESH C M 04JUL2018	TE Connectivity Ltd.		
DIMENSIONS: mm [INCHES]		CHK ALEXANDER SHARPE 04JUL2018			
TOLERANCES UNLESS OTHERWISE SPECIFIED:		APVD ALEXANDER SHARPE 04JUL2018	PRODUCT SPEC		
0 PLC ± - 1 PLC ± - 2 PLC ± 0.2 [.008] 3 PLC ± - 4 PLC ± - ANGLES ± -		APPLICATION SPEC	SIZE A3 CAGE CODE 00779 DRAWING NO C-2337234 RESTRICTED TO -		
MATERIAL -		FINISH -	WEIGHT		
		CUSTOMER DRAWING		SCALE NTS	SHEET 3 OF 3 REV B



Компания «ЭлектроПласт» предлагает заключение долгосрочных отношений при поставках импортных электронных компонентов на взаимовыгодных условиях!

Наши преимущества:

- Оперативные поставки широкого спектра электронных компонентов отечественного и импортного производства напрямую от производителей и с крупнейших мировых складов;
- Поставка более 17-ти миллионов наименований электронных компонентов;
- Поставка сложных, дефицитных, либо снятых с производства позиций;
- Оперативные сроки поставки под заказ (от 5 рабочих дней);
- Экспресс доставка в любую точку России;
- Техническая поддержка проекта, помощь в подборе аналогов, поставка прототипов;
- Система менеджмента качества сертифицирована по Международному стандарту ISO 9001;
- Лицензия ФСБ на осуществление работ с использованием сведений, составляющих государственную тайну;
- Поставка специализированных компонентов (Xilinx, Altera, Analog Devices, Intersil, Interpoint, Microsemi, Aeroflex, Peregrine, Syfer, Eurofarad, Texas Instrument, Miteq, Cobham, E2V, MA-COM, Hittite, Mini-Circuits, General Dynamics и др.);

Помимо этого, одним из направлений компании «ЭлектроПласт» является направление «Источники питания». Мы предлагаем Вам помощь Конструкторского отдела:

- Подбор оптимального решения, техническое обоснование при выборе компонента;
- Подбор аналогов;
- Консультации по применению компонента;
- Поставка образцов и прототипов;
- Техническая поддержка проекта;
- Защита от снятия компонента с производства.



Как с нами связаться

Телефон: 8 (812) 309 58 32 (многоканальный)

Факс: 8 (812) 320-02-42

Электронная почта: org@eplast1.ru

Адрес: 198099, г. Санкт-Петербург, ул. Калинина, дом 2, корпус 4, литера А.