

LEMO[®]
Electronic & Fibre Optic Connectors

MINIATURE F7 CONTACT FOR MULTI & HYBRID FIBRE OPTIC CONNECTORS

MINIATURE FIBRE-OPTIC F7 CONTACT FOR MULTIFIBRE OR MIXED OPTICAL/ELECTRICAL OF THE 1K-5K AND 1B-5B SERIES

In addition to the existing F2 fibre optic contact shown in our catalogue of Fibre-Optic connectors No 5, the B and K series can now also be fitted with the new miniature F7 contact. The main benefits of using this contact are:

- Reduced size allowing increased contact density. As an example, a 4-channel fibre optic connector is now possible in series 3K/3B.
- Use of industry standard 1.25 mm diameter ferrule and polishing processes.

Contact design is based on the well-proven F2. Contacts fit onto buffered fibres or semitight jacket cables up to 2 mm in diameter.

This brochure shows only a sample of the available models of connectors. Refer to our catalogue No 5 for more detailed information of the full range of LEMO fibre optic connectors. Refer also to catalogue No 5 for accessories or tools specific to the electrical contacts used in hybrid connectors.



5 Fibre Optic Connectors

F7 Fibre Optic Contact

Introduction

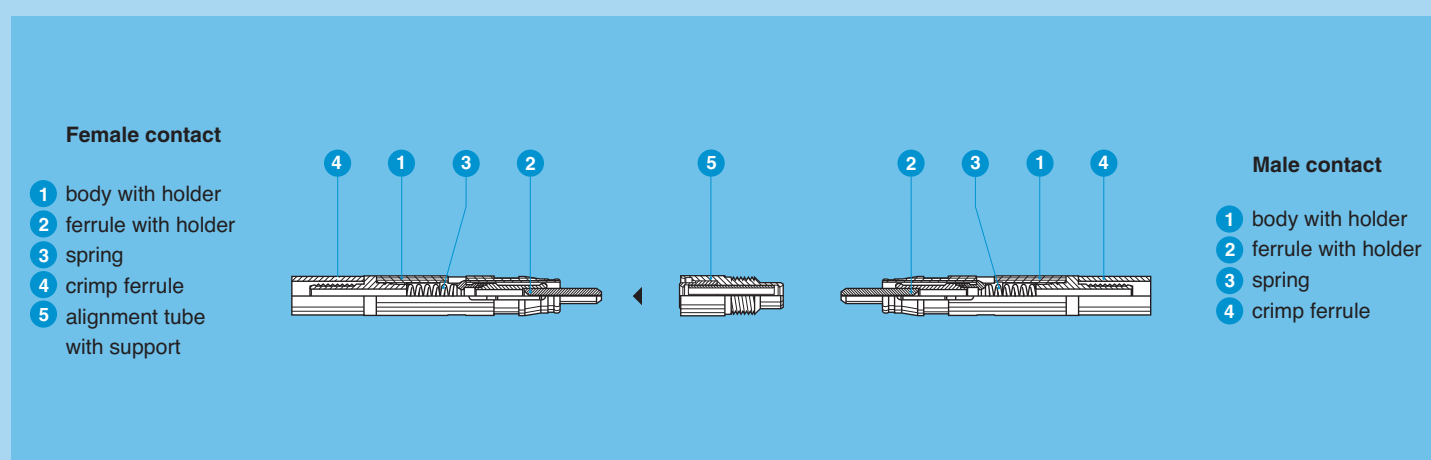
The F7 type contact is designed to fit multi fibre connectors or mixed fibre optical/electrical connectors from 1B to 5B, 1K to 5K series. The design is based on the well proven F2 contact.

Its main features are as follows:

- Ceramic ferrules diameter 1.25 mm
- Simple and fast polishing ensuring the physical contact of the fibre end face
- After mounting on the cable, the contact is very easily installed in the main connector insulator, the particular shape of the contact body retains it in the insulator
- Single type of cable assembly, regardless of connector shell used
- The alignment tube can be easily removed in order to clean the fibre end face.

This contact makes it possible to use single fibre cables with single-mode or multi-mode fibres of the following sizes; 9/125, 50/125 and 62.5/125.

Part Section Showing Internal Components



Technical Characteristics

Material and Treatment

Component	Material	Surface treatment (µm)	
		Cu	Ni
Body	PEEK	without treatment	
Ferrule	Ceramic	without treatment	
Holder	Alloy CuNiZn	without treatment	
Crimp holder	Brass	0.5	3
Spring	Stainless steel	without treatment	
Crimp ferrule	Cu 99	0.5	3
Support	Alloy CuNiZn	without treatment	
Alignment tube	Ceramic	without treatment	

Optical

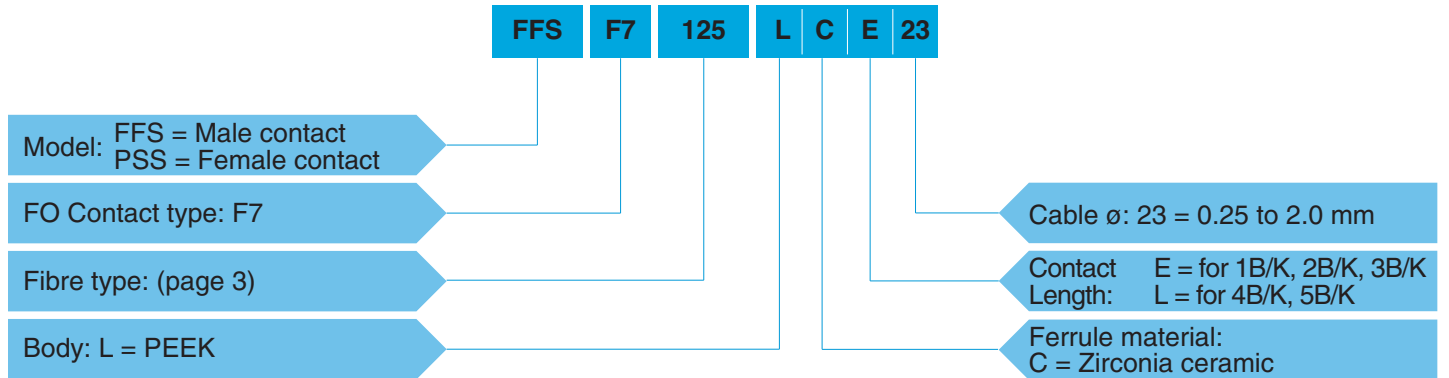
Characteristic	Value	Standard	Method
Average insertion loss fibre 9/125 µm	0.18 dB	IEC 61300-03-34	Method 2
Average insertion loss fibre 50/125 µm	0.25 dB	IEC 61300-03-34	Method 2
Return loss fibre 9/125 µm (UPC)	≥45 dB	IEC 61300-03-06	Coupler Method
Return loss fibre 9/125 µm (Hand polish)	>25 dB	IEC 61300-03-06	Coupler Method

Mechanical and Environmental

Characteristic	Value	Standard
Mating durability	> 1000 cycles	IEC 61300-02-02
Damp heat steady state	up to 93 % RH at 40°C	IEC 61300-02-19
High temperature	+85°C	IEC 61300-02-18
Low temperature	-40°C	IEC 61300-02-17
Cable retention	100 N	IEC 61300-02-04
Vibration (3 axes)	100 to 2000 Hz, 2 hrs	–
Change of temperature	-40 to +75°C	IEC 61300-02-22
Temperature/humidity	-10 to +65°C at 93 % RH	IEC 61300-02-21

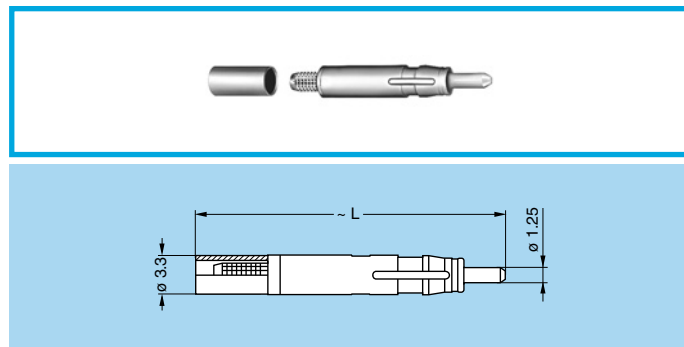
Part Number Example

- F7 contacts are designed in 2 different lengths:
- the short version for 1B/K, 2B/K and 3B/K series, code E.
 - the long version for 4B/K and 5B/K series, code L.



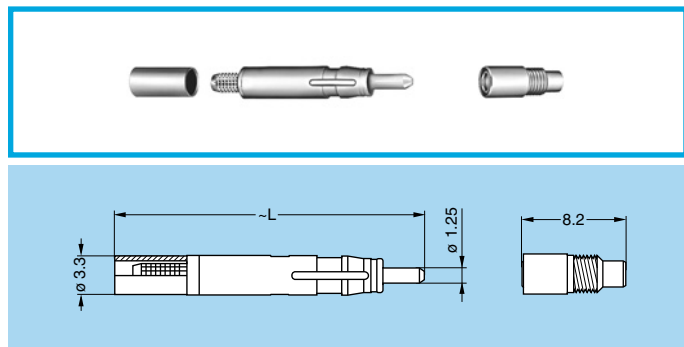
FFS.F7.125.LCE23 = Male F7 type fibre optic contact, ferrule bore diameter of 125 μ m, PEEK body, Zirconia ceramic ferrule, contact length for 1B/K, 2B/K or 3B/K series, for cable with diameter max = 2.0 mm.

Model - FO Contact Type



FFS.F7 Male F7 Fibre Optic Contact

Reference		Dimensions (mm)
Model	Series	L
FFS.F7	1B, 1K, 2B, 2K, 3B, 3K	25.8
FFS.F7	4B, 4K, 5B, 5K	32.8



PSS.F7 Female F7 Fibre Optic Contact

Reference		Dimensions (mm)
Model	Series	L
PSS.F7	1B, 1K, 2B, 2K, 3B, 3K	25.8
PSS.F7	4B, 4K, 5B, 5K	32.8

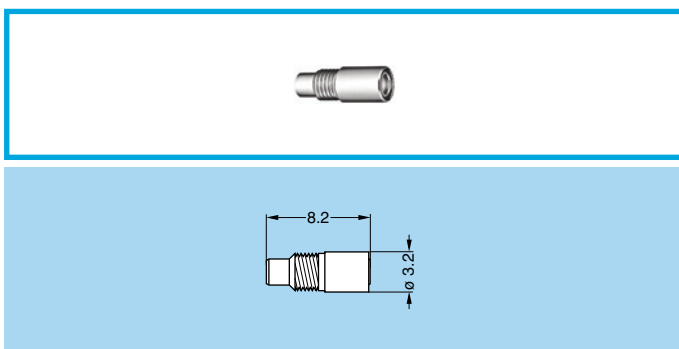
Fibre Type

The choice of the ferrule hole diameter is dependent upon the fibre cladding size. LEMO offers a range of ferrule hole diameters to suit the users' specific requirements.

Reference	ø Core/Cladding (µm)	Ferrule hole diameter (µm)	Note 1)
125	9/125 50/125 62.5/125	125	●
126		126	●
128		128	○

● First choice alternative ○ Special order alternative

Accessories



PSS Alignment device for F7 fibre optic contact

Part number

PSS.F7.290.NZZ

Note: Alignment device should be ordered as replacement item.



male

female

FGG-EGG Insulators

Insulators for 1B-5B and 1K-5K series vary according to the fibre optic contact type. For the new F7 contact insulators are:

	FO Contact	Insulator part number	
	Type F7	Male contact	Female contact
1B/1K	92A	FGG.1B.302.FL	EGG.1B.402.FL
2B/2K	03A	FGG.2B.302.FL	EGG.2B.402.FL
	93B	FGG.2B.324.FL	EGG.2B.424.FL
3B/3K	03C	FGG.3B.304.FL	EGG.3B.404.FL
	95B	FGG.3B.344.FL	EGG.3B.444.FL
4B/4K	03G	FGG.4B.308.FL	EGG.4B.408.FL
	03H	FGG.4B.309.FL	EGG.4B.409.FL
	97B	FGG.4B.362.FL	EGG.4B.462.FL
5B/5K	03Q	FGG.5B.316.FL	EGG.5B.416.FL
	03V	FGG.5B.321.FL	EGG.5B.421.FL

1K-5K Series

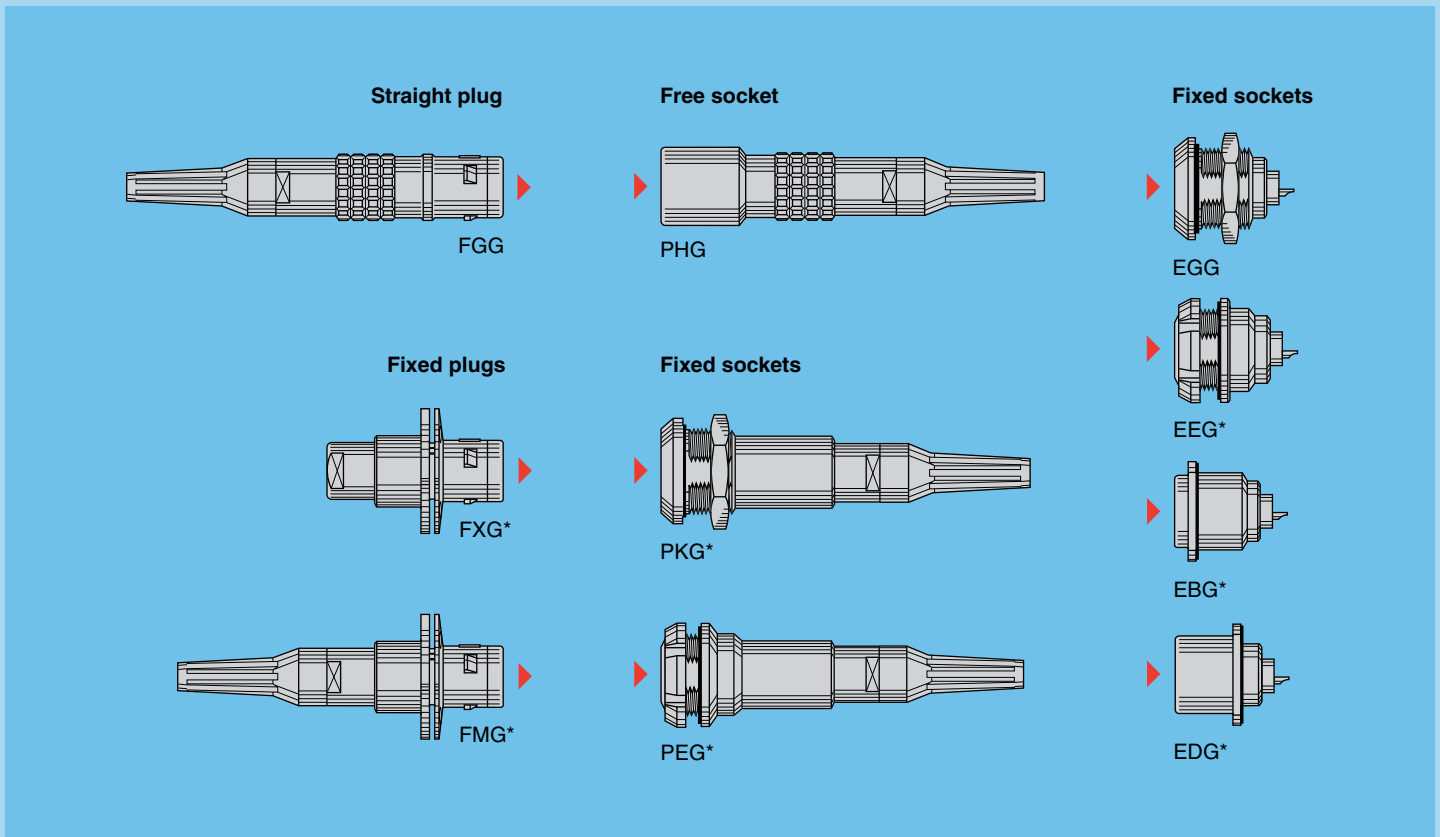
The new **F7** fibre optic contact has been designed to work in the 1K-5K series.

The main features of these series are as follows:

- Security of the LEMO Push-Pull self-latching system
- Specially designed for outdoors applications. All these models are waterproof when mated and reach a protection index of IP 66-IP 68, according to the IEC 60529 standard
- Protection against accidental contamination or damage to the fibre end face because the ferrules are recessed within the connector shell
- The alignment key (G, A...F, L and R) ensures excellent repeatability of performance during frequent matings
- A choice of configurations of multi fibre or mixed optical/electrical contacts
- The new miniature F7 contact allows hybrid configuration in the 1K series and multi fibre up to 21 channels in the 5K series.

The 1K-5K series consists of ten models which will accept outer cable diameters ranging from 2.6 mm to 23.5 mm.

Interconnections



Model Description

EBG Fixed socket with square flange, key (G) or keys (A...F, L and R), four holes fixing

EDG Fixed socket with square flange, key (G) or keys (A...F, L and R), protruding shell and earthing tag, screw fixing

EEG Fixed socket, nut fixing, key (G) or keys (A...F, L and R) (back panel mounting)

EGG Fixed socket, nut fixing, key (G) or keys (A...F, L and R)

FGG Straight plug, key (G) or keys (A...F, L and R), cable adapter and nut for fitting a bend relief

FMG Fixed plug with round flange, four holes fixing, key (G) or keys (A...F, L and R), cable adapter and nut for fitting a bend relief

FXG Fixed plug with round flange, four holes fixing, key (G) or keys (A...F, L and R)

PEG Fixed socket, nut fixing, key (G) or keys (A...F, L and R), cable adapter and nut for fitting a bend relief (back panel mounting)

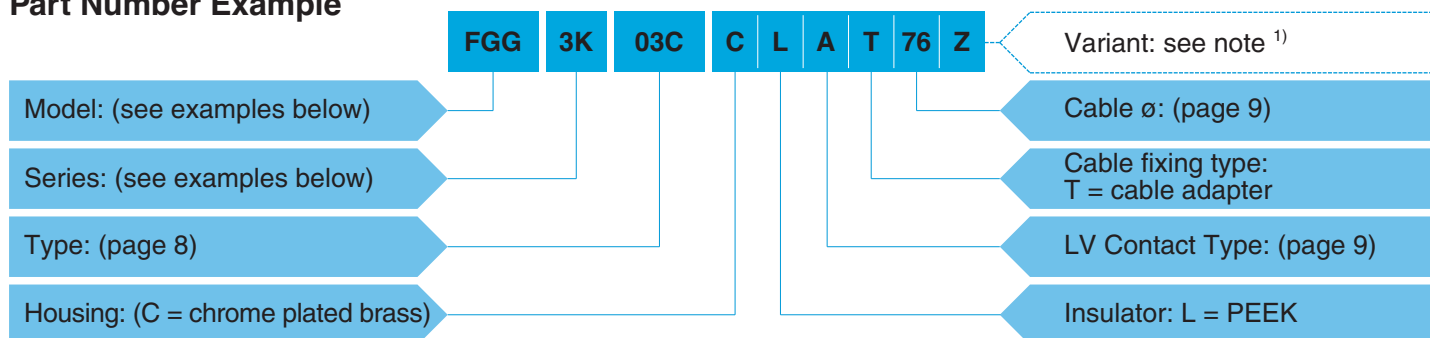
PHG Free socket, key (G) or keys (A...F, L and R), cable adapter and nut for fitting a bend relief

PKG Fixed socket, nut fixing, key (G) or keys (A...F, L and R), cable adapter and nut for fitting a bend relief

* Not show in this catalogue. Refer to our catalogue No 5.

Certain models and certain key-ways may not be available in all series. Please consult us.

Part Number Example

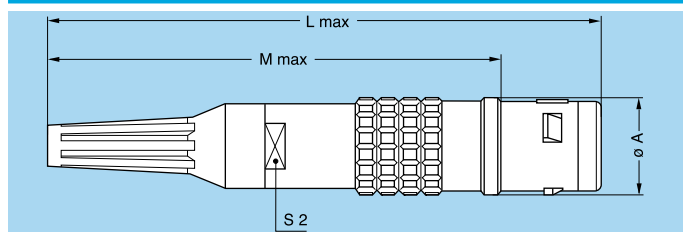
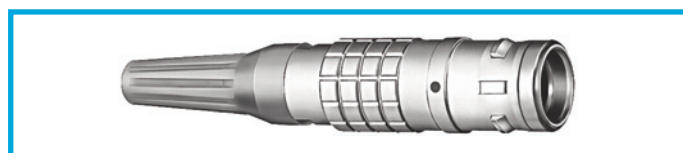


FGG.3K.03C.CLAT76Z = Straight plug with key (G), 3K series, multi-fibre type to accept 4 F7 type fibre optic contacts, chrome-plated brass housing, PEEK insulator, cable fixing type T for 7.5 mm diameter cable, and nut for fitting a bend relief.

Connectors are delivered without fibre optic contacts. F7 fibre optic contacts must be ordered separately according to size and type of fibre (see pages 1 to 3).

Note: ¹⁾ The «Variant» position in the reference is used to indicate the presence of a collet nut for fitting the bend relief. The bend relief must be ordered separately.

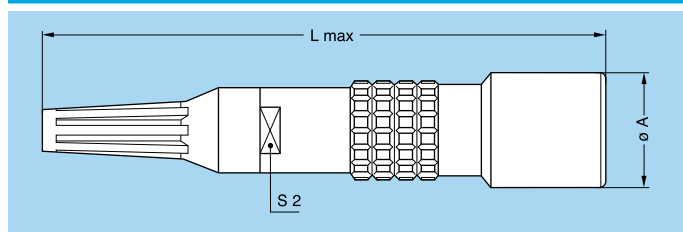
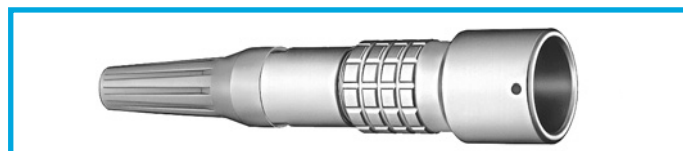
Sample Models



FGG Straight plug, key (G) or keys (A...F, L and R), cable adapter and nut for fitting a bend relief

Reference		Dimensions (mm)			
Model	Series	A	L	M	S2
FGG	1K	13	92	78.0	9
FGG	2K	16	101	85.0	12
FGG	3K	19	109	89.0	15
FGG	4K	25	131	110.5	19
FGG	5K	38	160	135.0	30

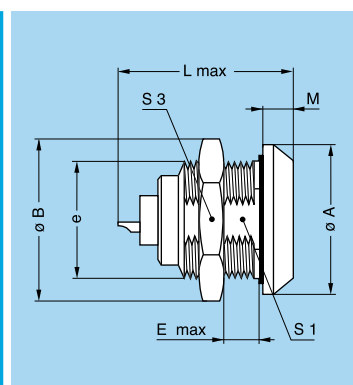
Note: The overall length dimension is with Desmopan bend relief



PHG Free socket, key (G) or keys (A...F, L and R), cable adapter and nut for fitting a bend relief

Reference		Dimensions (mm)		
Model	Series	A	L	S2
PHG	1K	15	95.0	9
PHG	2K	19	103.0	12
PHG	3K	23	113.0	15
PHG	4K	29	135.5	19
PHG	5K	42	164.0	30

Note: The overall length dimension is with Desmopan bend relief



EGG Fixed socket, nut fixing, key (G) or keys (A...F, L and R)

Reference		Dimensions (mm)								
Model	Series	A	B	e	E	L max ¹⁾		M	S1	S3
						F1	F2			
EGG	1K	20	21.5	M16x1.0	9	31.0	41.0	4.5	14.5	19
EGG	2K	25	27.0	M20x1.0	9	31.0	41.0	5.0	18.5	24
EGG	3K	31	34.0	M24x1.0	11	35.5	42.5	6.0	22.5	30
EGG	4K	37	40.5	M30x1.0	9	37.0	41.0	6.5	28.5	36
EGG	5K	55	54.0	M45x1.5	10	40.5	42.0	9.0	42.5	—

Note: ¹⁾ The overall length (L) may vary depending upon the type of electrical LV or fibre optic contact fitted.

1B-5B Series

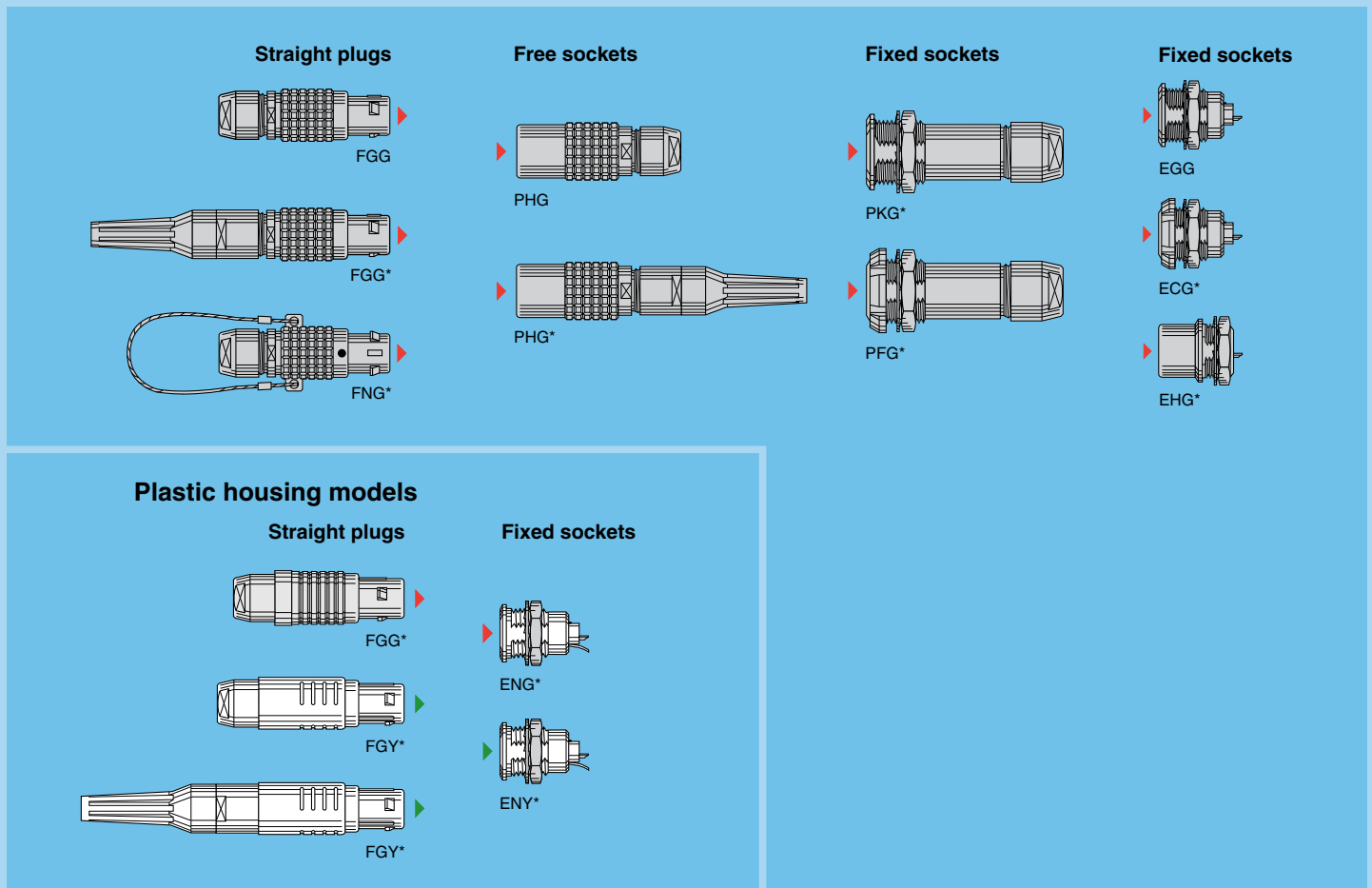
The new **F7** fibre optic contact has been designed to work in the 1B-5B series.

The main features of these series are as follows:

- Security of the LEMO Push-Pull self-latching system
- Protection against accidental contamination or damage to the fibre end face because the ferrules are recessed within the connector shell
- The alignment key (G, A...L, Y and R) ensures excellent repeatability of performance during frequent matings
- A choice of configurations of multi fibre or mixed optical/electrical contacts
- The new miniature F7 contact allows hybrid configuration in the 1B series and multi fibre up to 21 channels in the 5B series.

The 1B-5B series consist of fifteen models. The possible outer cable diameters range from 2.1 to 25 mm.

Interconnections

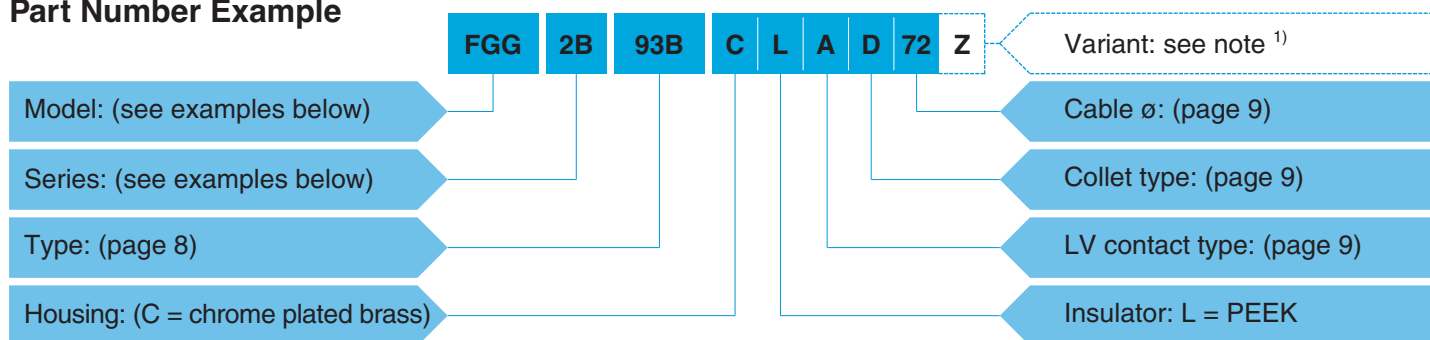


Model Description

ECG	Fixed socket, with two nuts, key (G) or keys (A...L and R), (back panel mounting)	FGG	Straight plug, key (G or J), cable collet, PEEK outer shell	PHG	Free socket, key (G) or keys (A...L) and cable collet and nut for fitting a bend relief
EGG	Fixed socket, nut fixing, key (G) or keys (A...L and R)	FGY	Straight plug, keys (Y), cable collet and PSU or PPSU outer shell	PKG	Fixed socket, nut fixing, key (G) or keys (A...L and R) and cable collet
EHG	Fixed socket, nut fixing, key (G) or keys (A...L and R) with visible shell	FGY	Straight plug, keys (Y), cable collet and PSU or PPSU outer shell and nut for fitting a bend relief		
ENG	Fixed socket with grounding tab, nut fixing, key (G or J), PEEK outer shell	FNG	Straight plug, key (G) or keys (A...L and R) and cable collet with lanyard release		
ENY	Fixed socket with grounding tab, nut fixing, keys (Y), PSU or PPSU outer shell	PFG	Fixed socket, with two nuts, key (G) or keys (A...L and R) and cable collet (back panel mounting)		
FGG	Straight plug, key (G) or keys (A...L and R) and cable collet	PHG	Free socket, key (G) or keys (A...L and R) and cable collet		
FGG	Straight plug, key (G) or keys (A...L) cable collet and nut for fitting a bend relief			*	Not show in this catalogue. Refer to our catalogue No 5.

Certain models and certain key-ways may not be available in all series. Please consult us.

Part Number Example

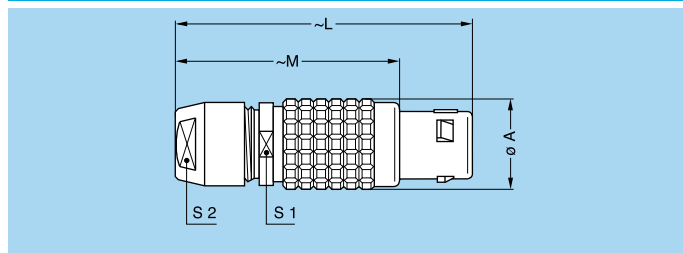


FGG.2B.93B.CLAD72Z = Straight plug with key (G), 2B series, mixed type to accept 2 F7 fibre optic contact and 4 low voltage electrical contacts, chrome-plated brass housing, PEEK insulator, 4 male solder electrical contacts, type D collet system to suit a 7.0 to 6.1 mm diameter cable, and a nut for fitting a bend relief.

Connectors are delivered without fibre optic contacts. F7 fibre optic contacts must be ordered separately according to size and type of fibre (see pages 1 to 3).

Note: ¹⁾ The «Variant» position in the reference is used to indicate the presence of a collet nut for fitting the bend relief. The bend relief must be ordered separately.

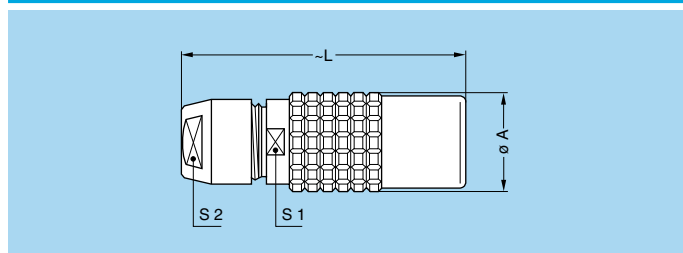
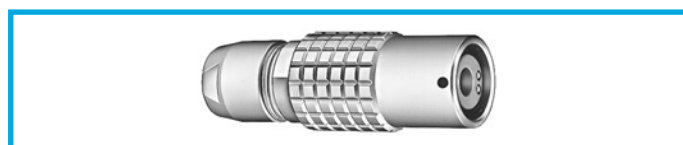
Sample Models



FGG Straight plug, key (G) or keys (A...L and R) and cable collet

Reference		Dimensions (mm)				
Model	Series	A	L	M	S1	S2
FGG ¹⁾	1B	12	72 ²⁾	61 ²⁾	10	9
FGG	2B	15	50	38	13	12
FGG	3B	18	58	43	15	14
FGG	4B	25	75	57	21	20
FGG	5B	35	103	78	31	30

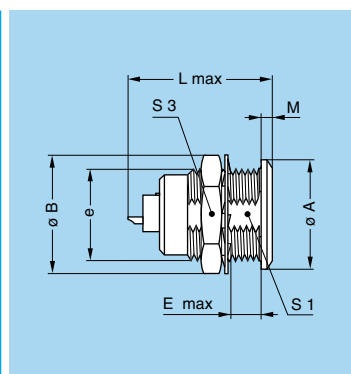
Note: ¹⁾ Models can be delivered only with «T» type of cable adapter and nut for fitting a bend relief.
²⁾ Lengths include the bend relief.



PHG Free socket, key (G) or keys (A...L and R) and cable collet

Reference		Dimensions (mm)			
Model	Series	A	L	S1	S2
PHG ¹⁾	1B	12.5	69.5 ²⁾	10	9
PHG	2B	16.5	47.0	13	12
PHG	3B	19.0	56.0	15	14
PHG	4B	24.4	73.0	21	20
PHG	5B	34.2	99.0	31	30

Note: ¹⁾ Models can be delivered only with «T» type of cable adapter and nut for fitting a bend relief.
²⁾ Lengths include the bend relief.



EGG Fixed socket, nut fixing, key (G) or keys (A...L and R)

Reference		Dimensions (mm)								
Model	Series	A	B	e	E	L max ¹⁾		M	S1	S3
						F1	F2			
EGG	1B	14	16	M12x1	7.5	27.0	37.0	1.5	10.5	14
EGG	2B	18	19.2	M15x1	8.5	27.0	37.0	1.8	13.5	17
EGG	3B	22	25.0	M18x1	11.5	30.0	37.0	2.0	16.5	22
EGG	4B	28	34.0	M25x1	12.0	34.5	38.5	2.5	23.5	30
EGG	5B	40	40.0	M35x1	11.0	36.5	38.0	3.0	33.5	—

Note: ¹⁾ The overall length (L) may vary depending upon the type of electrical LV or fibre optic contact fitted.

Types

Multi fibre and Mixed fibre optic (F7 contact) + LV

		Reference FO Contact Type		Low Voltage contact										
		F7		Fibre optic No	Contact No	ø A (mm)	Contact type		Solder contact		Crimp contact		Rated current (A)	
							Solder	Crimp	Test voltage (kV rms) ¹⁾ Contact-contact	Test voltage (kV rms) ¹⁾ Contact-shell	Test voltage (kV rms) ¹⁾ Contact-contact	Test voltage (kV rms) ¹⁾ Contact-shell		
Male solder contacts		Female solder contacts		92A	1	2	0.9	●	●	0.90	1.50	1.20	1.80	7.0
Male crimp contacts		Female crimp contacts												
1B 1K				92A	1	2	0.9	●	●	0.90	1.50	1.20	1.80	7.0
				03A	2	-	-	-	-	-	-	-	-	-
2B 2K				93B	2	4	0.7	●	●	0.85	1.20	0.85	1.25	6.0
				03C	4	-	-	-	-	-	-	-	-	-
3B 3K				95B	4	4	0.9	●	●	1.20	1.05	1.00	0.80	8.0
				03G	8	-	-	-	-	-	-	-	-	-
4B 4K				03H	9	-	-	-	-	-	-	-	-	-
				97B	6	2	1.6	●	●	1.20	1.30	1.30	1.05	13
				03Q	16	-	-	-	-	-	-	-	-	-
5B 5K				03V	21	-	-	-	-	-	-	-	-	-

Note: ¹⁾ Test voltage

Test voltage (U_e):
(measured according to the IEC 60512-2 test 4a standard).

It corresponds to 75% of the mean breakdown voltage.
Test voltage is applied at 500 V/s and the test duration is one minute.

This test has been carried out with a mated plug and receptacle, with power supply only on the plug end.

Operating voltage (U_s):

It is proposed according to the following ratio: $U_s = \frac{U_e}{3}$

Caution:

For a number of applications, safety requirements for electrical appliances are more severe with regard to operating voltage.



Electrical Contact

Contact for plug, socket, and fixed socket

Ref.	Contact type
A	male solder
C	male crimp
L	female solder
M	female crimp
Z	no contact



Collets (K and B series)

T type cable adapter

	Reference		Cable ϕ		Bend relief to be used ¹⁾
	Type	ϕ	max.	min.	
1B	T	36	3.5	2.6	GMA.1B.030.D●
	T	46	4.5	3.6	GMA.1B.040.D●
1K					
2K	T	46	4.5	3.6	GMA.2B.040.D●
	T	56	5.5	4.6	GMA.2B.050.D●
	T	66	6.5	5.6	GMA.2B.060.D●
3K	T	46	4.5	3.6	GMA.2B.040.D●
	T	56	5.5	4.6	GMA.2B.050.D●
	T	66	6.5	5.6	GMA.2B.060.D●
	T	76	7.5	6.6	GMA.3B.070.D●
	T	86	8.5	7.6	GMA.3B.080.D●
4K	T	91	9.0	8.1	GMA.3B.080.D●
	T	46	4.5	3.6	GMA.2B.040.D●
	T	56	5.5	4.6	GMA.2B.050.D●
	T	66	6.5	5.6	GMA.2B.060.D●
	T	76	7.5	6.6	GMA.3B.070.D●
	T	86	8.5	7.6	GMA.3B.080.D●
	T	96	9.5	8.6	GMA.4B.010.D● ²⁾
5K	T	11	11.5	10.6	GMA.4B.011.D●
	T	13	13.5	12.6	GMA.4B.013.D●
	T	61	6.0	5.1	GMA.2B.057.R●
	T	71	7.0	6.1	GMA.3B.060.D●
	T	81	8.0	7.1	GMA.3B.070.D●
	T	91	9.0	8.1	GMA.3B.080.D●
	T	96	9.5	8.6	GMA.4B.010.D● ²⁾
	T	10	10.5	9.6	GMA.4B.010.D●
	T	11	11.5	10.6	GMA.4B.011.D●
	T	12	12.5	11.6	GMA.4B.012.D●
	T	13	13.5	12.6	GMA.4B.013.D●
T	14	14.5	13.6	GMA.4B.013.D●	
T	15	15.5	14.6	heat-shrink tube ³⁾	
T	16	16.5	15.6	heat-shrink tube	
T	17	17.5	16.6	heat-shrink tube	
T	18	18.5	17.6	heat-shrink tube	
T	19	19.5	18.6	heat-shrink tube	
T	20	20.5	19.6	heat-shrink tube	
T	21	21.5	20.6	heat-shrink tube	
T	22	22.5	21.6	heat-shrink tube	
T	23	23.5	22.6	heat-shrink tube	

D and M type collets

	Reference		Cable ϕ	
	Type	ϕ	max.	min.
2B	M	31	3.2	> 2.2
	D	42	4.2	> 3.2
	D	52	5.2	> 4.2
	D	62	6.2	> 5.2
	D	72	7.2	> 6.2
3B	D	82	8.2	> 7.2
	D	92	9.2	> 8.2
	M	52	5.2	> 4.2
	D	62	6.2	4.9
	D	72	7.7	> 6.2
4B	D	92	9.2	> 7.7
	D	10	10.7	> 9.2
	D	12	11.9	> 10.7
	M	62	6.0	5.1
	M	72	7.0	6.1
5B	M	82	8.0	7.1
	M	92	9.0	8.1
	D	10	10.5	9.1
	D	12	12.0	10.6
	D	13	13.5	12.1
	D	15	15.0	13.6
	D	11	11.5	9.6
	D	13	13.5	11.6
5B	D	15	15.5	13.6
	D	17	17.5	15.6
	D	19	19.5	17.6
	D	21	21.5	19.6
	D	23	23.5	21.6
	D	25	25.0	23.6

Note:

- ¹⁾ The bend relief is to be ordered separately.
- ²⁾ Add a short piece of heat-shrink tubing under the bend relief.
- ³⁾ The heat-shrink tube is supplied.

All dimensions are in millimeters.

Fibre Optic Tooling

We offer a complete range of tools for fibre optic connector cable assembly. Some tools are specific to each fibre optic contact type. When selecting necessary tooling, make sure you identify correctly the contact type used in the selected product.



DRV Complete workstation for fibre optic contact

Description

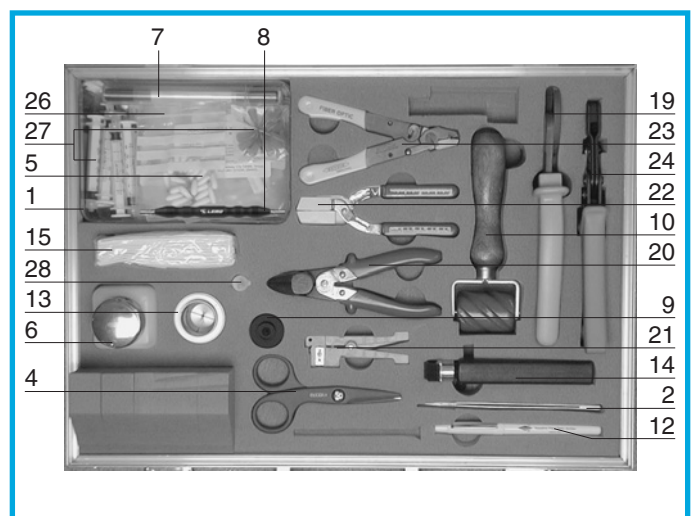
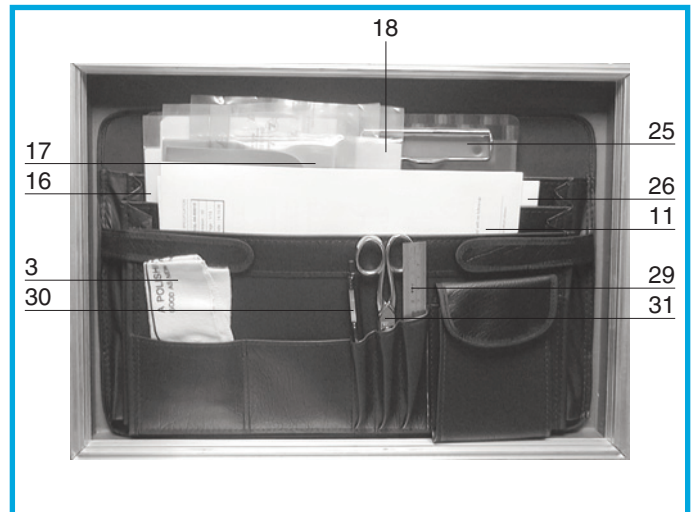
Comprehensive range of tools for terminating both single-mode and multi-mode fibres. Includes specific tools for F7 fibre optic contacts. Detachable termination case lid for use as polishing platform during field termination. Rugged but aesthetically pleasing termination case which is ideal for field use or in-house terminations. Curing oven and inspection microscope should be ordered separately.

Part number

DRV.91.CF7.PN

Workstation Contents

Part Number	Description	Quantity	Number
WST.BT.175.55PT	Plastic box	1	1
WST.BR.150.8AC	Tweezers	1	2
WST.CH.252.5SR	Lint-free Cloth	1	3
WST.CS.125.CE	Kevlar cutters	1	4
WST.CO.020.52	Cotton bud (sachet of 20 pcs)	1	5
WST.DS.290.PT	Alcohol dispenser (supplied empty)	1	6
DCC.91.307.5LA	Extraction tool for F7 contact	1	7
DCS.F7.035.PN	Alignment device tool	1	8
DCS.91.G90.6E125	Microscope adapter for F7 contacts	1	9
WST.ME.354.8R	Epoxy mixer and pad	1	10
DOC.FO.CF7.0000	Terminating instructions for F7 contacts	1	11
WST.OU.135.10SZ	Fibre scribe	1	12
DCS.91.D01.LC	Polishing tool for F7 contacts	1	13
WST.OU.452.5MN	Large cable stripper	1	14
WST.PA.105.5525	Cleaning tissues	1	15
WST.PA.012.AOJ	Lapping film 12µm (yellow)	20	16
WST.PA.005.AOM	Lapping film 5µm (brown)	20	17
WST.PA.001.DIL	Lapping film 1µm (lavander) diamond	5	18
WST.PN.210.AS	Armoured cable cutter	1	19
WST.PN.145.AR	Cable cutter	1	20
WST.PN.103.OPG	Outer jacket stripper	1	21
WST.PN.203.CR	Buffer coating stripping tool	1	22
WST.PN.102.3CR	Primary coat stripper	1	23
DPE.99.003.1K	Crimp tool	1	24
WST.PL.322.5PT	Polishing platform	1	25
WST.RE.353.EPO	Epoxy resin + safety instructions	10	26
WST.SE.305.8PH	Syringe with needle # 19 & # 20	10	27
WST.TU.193.LN	Fibre shield for F7 contacts	4	28
WST.RG.150.AZ	Steel rule 6" (152 mm)	1	29
WST.SY.135.PA	Fibre length marking pen	1	30
WST.CS.155.AZ	Scissors	1	31



Note: The interior of the case is fitted with pre-formed plastic foam to provide secure storage of the tools.



DPE Crimping tool for F7 fibre optic contact

Description

Crimping tool for capturing KEVLAR® strand on contact body.

Part number

DPE.99.003.1K ¹⁾

Note: ¹⁾ Included in the LEMO F7 workstation.



WST Epoxy curing oven

Description

Oven for assisting in curing epoxy.

Part number

Voltage

WST.FR.220.VA 220 volts

WST.FR.110.VA 110 volts



DCS Polishing tool for fibre optic contacts

Description

Precision tool for polishing terminated fibre optic contacts with 1.25 mm ferrule.

Part number

DCS.91.D01.LC ¹⁾

Note: ¹⁾ Included in the LEMO F7 workstation.



WST Fibre Inspection Microscope

Description

Microscope to assist in viewing termination operations and verifying fibre end finish. Zoom with 200 → 400 x magnification. See adaptor below.

Part number

WST.FB.G00.301



DCS Microscope adaptor for fibre optic contacts

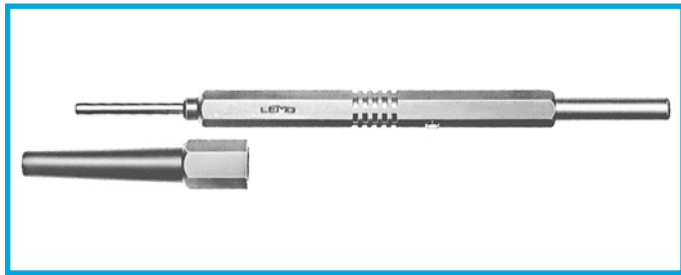
Description

Adaptor for final inspection of fibre optic contacts with 1.25 mm ferrule. To be used with microscope WST.FB.G00.301.

Part number

DCS.91.G90.6E125 ¹⁾

Note: ¹⁾ Included in the LEMO F7 workstation.



DCC Extractor for F7 fibre optic contact

Description

Manual tool for the extraction of the F7 contact.

Part number

DCC.91.307.5LA ¹⁾

Note: ¹⁾ Included in the LEMO F7 workstation.



DCS F7 contact alignment device tool

Description

Simple tool with two threaded end for installation/extraction of the F7 contact alignment device.

Part number

DCS.F7.035.PN ¹⁾

Note: ¹⁾ Included in the LEMO F7 workstation.



WST Fibre shield for F7 fibre optic contact

Description

To protect ferrule when curing epoxy.

Part number

WST.TU.193.LN ¹⁾

Note: ¹⁾ Included in the LEMO F7 workstation.

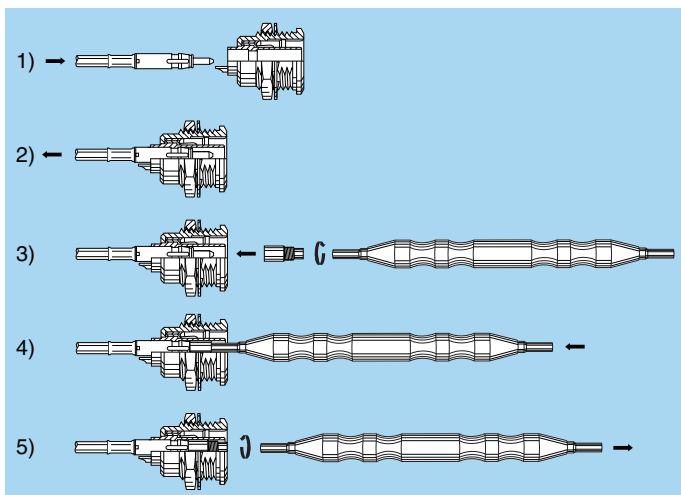
Cable Termination

Detailed instructions for terminating single fibre cables with LEMO F7 fibre optic contacts are given in the reference manual DOC.FO.CF7.0000 supplied with the complete termination workstation (see page 10). After termination contacts shall be introduced in the main insulator as shown below. For purpose of cleaning they can also be removed.

Installation of F7 contact and alignment device

Insertion

The male fibre optic contact terminated on the cable must be inserted into the connector insulator from the back end until it comes to a stop. Make sure that the contact is correctly positioned into the inner antirotation key. Key is in line with the red dot on the rear of the contact (step 1). Check that the contact is correctly retained by gently pulling on it (step 2).

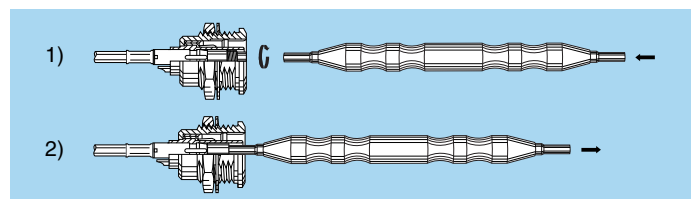


For female contacts, the alignment device shall be clipped onto the fibre optic contacts which is already fitted into female insulator. This procedure is performed using the tool, reference DCS.F7.035.PN.

The alignment device shall be first installed onto threaded end of the tool (step 3). Then clip the adapter (step 4), unscrew and remove the tool (step 5).

Extraction of alignment device

Screw the threaded end of the tool reference DCS.F7.035.PN (step 1) onto the alignment device. Pull out strongly (step 2).



Extraction of F7 contact

Possible only for fixed socket, using the manual tool DCC.91.307.5LA. Shall be made with great care.

Note: The life time installation of the alignment device is minimum 300 cycles.

LEMO HEADQUARTERS

SWITZERLAND

LEMO SA

Chemin des Champs-Courbes 28 - P.O. Box 194 - CH-1024 Ecublens
Tel. (+41 21) 695 16 00 - Fax (+41 21) 695 16 02 - e-mail: info@lemo.com

LEMO SUBSIDIARIES

AUSTRIA

LEMO Elektronik GesmbH

Lemböckgasse 49/E6-3
1230 Wien
Tel: (+43 1) 914 23 20 0
Fax: (+43 1) 914 23 20 11
sales@lemo.at

CHINA

LEMO Trading (Shanghai) Co., Ltd

LEMO Electronics (Shanghai) Co., Ltd

5th Floor, Block 6, City of ELITE,
1000 Jinhai Road, Pudong
Shanghai, China 201206
Tel: (+86 21) 5899 7721
Fax: (+86 21) 5899 7727
cn.sales@lemo.com

DENMARK

LEMO Denmark A/S

Gammel Mosevej 46
2820 Gentofte
Tel: (+45) 45 20 44 00
Fax: (+45) 45 20 44 01
info-dk@lemo.com

FRANCE

LEMO France Sàrl

24/28 Avenue Graham Bell
Bâtiment Balthus 4
Bussy Saint Georges
77607 Marne la Vallée Cedex 3
Tel: (+33 1) 60 94 60 94
Fax: (+33 1) 60 94 60 90
info-fr@lemo.com

GERMANY

LEMO Elektronik GmbH

Hanns-Schwindt-Str. 6
81829 München
Tel: (+49 89) 42 77 03
Fax: (+49 89) 420 21 92
info@lemo.de

HONG KONG

LEMO Hong Kong Ltd

Unit 1207, 12/F, Corporation Square,
8 Lam Lok Street, Kowloon Bay,
Kowloon - Hong Kong
Tel: (+852) 2174 0468
Fax: (+852) 2174 0492
hk.sales@lemo.com

HUNGARY

REDEL Elektronika Kft

Nagysándor József u. 6-12
1201 Budapest
Tel: (+36 1) 421 47 10
Fax: (+36 1) 421 47 57
redelemo@lemo.hu

ITALY

LEMO Italia srl

Viale Lunigiana 25
20125 Milano
Tel: (+39 02) 66 71 10 46
Fax: (+39 02) 66 71 10 66
sales.it@lemo.com

JAPAN

LEMO Japan Ltd

4-10-3, Takaido Higashi,
Suginami-ku, Tokyo, 168-0072
Tel: (+81 3) 53 44 39 33
Fax: (+81 3) 53 44 39 35
lemoinfo@lemo.co.jp

NETHERLANDS / BELGIUM

LEMO Connectors Benelux

De Trompet 2108
1967 DC Heemskerk
Tel. (+31) 251 25 78 20
Fax (+31) 251 25 78 21
info@lemo.nl

NORWAY / ICELAND

LEMO Norway A/S

Stanseveien 6B
0975 Oslo
Tel: (+47) 22 91 70 40
Fax: (+47) 22 91 70 41
info-no@lemo.com

SINGAPORE

LEMO Asia Pte Ltd

4 Leng Kee Road,
#06-09 SiS Building
Singapore 159088
Tel: (+65) 6476 0672
Fax: (+65) 6474 0672
sg.sales@lemo.com

SPAIN / PORTUGAL

IBERLEMO S.A.

Brasil, 45, 08402 Granollers
Barcelona
Tel: (+34 93) 860 44 20
Fax: (+34 93) 879 10 77
info-es@lemo.com

Madrid Office
Antonio López, 96, 28019 Madrid
Tel: (+34 91) 469 99 19
Fax: (+34 91) 469 99 59

SWEDEN / FINLAND

LEMO Nordic AB

Mariehällsvägen 39A
168 65 Bromma
Tel: (+46 8) 635 60 60
Fax: (+46 8) 635 60 61
info-se@lemo.com

SWITZERLAND

LEMO Verkauf AG

Grundstrasse 22 B
6343 Rotkreuz
Tel: (+41 41) 790 49 40
Fax: (+41 41) 790 49 43
ch.sales@lemo.com

UNITED KINGDOM

LEMO UK Ltd

12-20 North Street
Worthing
West Sussex, BN11 1DU
Tel: (+44 1903) 23 45 43
Fax: (+44 1903) 20 62 31
lemouk@lemo.com

USA

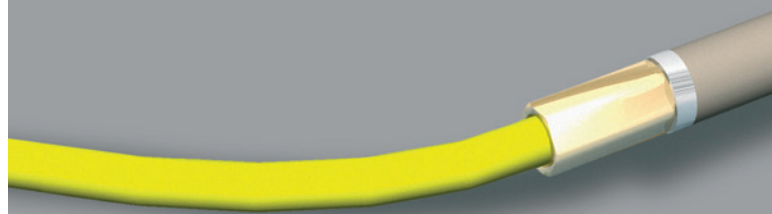
LEMO USA Inc

P.O. Box 2408
Rohnert Park, CA 94927-2408
Tel: (+1 707) 578 88 11
(+1 800) 444 53 66
Fax: (+1 707) 578 08 69
info@lemousa.com

LEMO DISTRIBUTORS

AUSTRALIA, BRAZIL, CANADA, CZECH REPUBLIC, GREECE, INDIA, ISRAEL,
NEW ZEALAND, POLAND, RUSSIA, SOUTH AFRICA, SOUTH KOREA, TAIWAN,
TURKEY, UKRAINE

www.lemo.com





Компания «ЭлектроПласт» предлагает заключение долгосрочных отношений при поставках импортных электронных компонентов на взаимовыгодных условиях!

Наши преимущества:

- Оперативные поставки широкого спектра электронных компонентов отечественного и импортного производства напрямую от производителей и с крупнейших мировых складов;
- Поставка более 17-ти миллионов наименований электронных компонентов;
- Поставка сложных, дефицитных, либо снятых с производства позиций;
- Оперативные сроки поставки под заказ (от 5 рабочих дней);
- Экспресс доставка в любую точку России;
- Техническая поддержка проекта, помощь в подборе аналогов, поставка прототипов;
- Система менеджмента качества сертифицирована по Международному стандарту ISO 9001;
- Лицензия ФСБ на осуществление работ с использованием сведений, составляющих государственную тайну;
- Поставка специализированных компонентов (Xilinx, Altera, Analog Devices, Intersil, Interpoint, Microsemi, Aeroflex, Peregrine, Syfer, Eurofarad, Texas Instrument, Miteq, Cobham, E2V, MA-COM, Hittite, Mini-Circuits, General Dynamics и др.);

Помимо этого, одним из направлений компании «ЭлектроПласт» является направление «Источники питания». Мы предлагаем Вам помощь Конструкторского отдела:

- Подбор оптимального решения, техническое обоснование при выборе компонента;
- Подбор аналогов;
- Консультации по применению компонента;
- Поставка образцов и прототипов;
- Техническая поддержка проекта;
- Защита от снятия компонента с производства.



Как с нами связаться

Телефон: 8 (812) 309 58 32 (многоканальный)

Факс: 8 (812) 320-02-42

Электронная почта: org@eplast1.ru

Адрес: 198099, г. Санкт-Петербург, ул. Калинина, дом 2, корпус 4, литера А.