

N64S830HA

64 kb Low Power Serial SRAMs

8 k x 8 Bit Organization

Introduction

The ON Semiconductor serial SRAM family includes several integrated memory devices including this 64 k serially accessed Static Random Access Memory, internally organized as 8 k words by 8 bits. The devices are designed and fabricated using ON Semiconductor's advanced CMOS technology to provide both high-speed performance and low power. The devices operate with a single chip select (\overline{CS}) input and use a simple Serial Peripheral Interface (SPI) serial bus. A single data in and data out line is used along with a clock to access data within the devices. The N64S830HA devices include a \overline{HOLD} pin that allows communication to the device to be paused. While paused, input transitions will be ignored. The devices can operate over a wide temperature range of -40°C to $+85^{\circ}\text{C}$ and can be available in several standard package offerings.

Features

- **Power Supply Range:** 2.5 to 3.6 V
- **Very Low Standby Current:** As low as 1 μA
- **Very Low Operating Current:** As low as 3 mA
- **Simple Memory Control:**
Single chip select (\overline{CS})
Serial input (SI) and serial output (SO)
- **Flexible Operating Modes:**
Word read and write
Page mode (32 word page)
Burst mode (full array)
- **Organization:** 8 k x 8 bit
- **Self Timed Write Cycles**
- **Built-in Write Protection (\overline{CS} High)**
- **\overline{HOLD} Pin for Pausing Communication**
- **High Reliability:** Unlimited write cycles
- Green SOIC and TSSOP
- These Devices are Pb-Free, Halogen Free/BFR Free and are RoHS Compliant



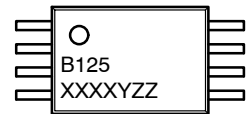
ON Semiconductor®

<http://onsemi.com>

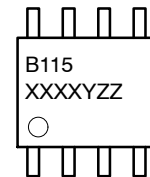
MARKING DIAGRAMS



TSSOP-8
T SUFFIX
CASE 948AL



SOIC-8
S SUFFIX
CASE 751BD



XXXX = Date Code
Y = Assembly Code
ZZ = Lot Traceability

ORDERING INFORMATION

| Device | Package | Shipping† |
|----------------|----------------------|-----------------------|
| N64S830HAS22I | SOIC-8 (Pb-Free) | 100 Units / Tube |
| N64S830HAT22I | TSSOP-8 (Pb-Free) | 100 Units / Tube |
| N64S830HAS22IT | SOIC-8 (Pb-Free) | 3000 / Tape & Reel |
| N64S830HAT22IT | TSSOP-8 (Pb-Free) | 3000 / Tape & Reel |

†For information on tape and reel specifications, including part orientation and tape sizes, please refer to our Tape and Reel Packaging Specification Brochure, BRD8011/D.

N64S830HA

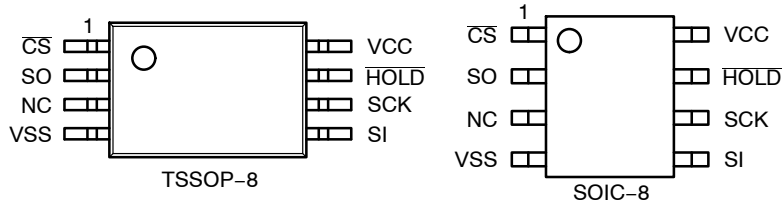


Figure 1. Pin Connections
(Top View)

Table 1. DEVICE OPTIONS

| Part Number | Density | Power Supply (V) | Speed (MHz) | Package | Typical Standby Current | Read/Write Operating Current |
|-------------|---------|------------------|-------------|---------|-------------------------|------------------------------|
| N64S830HAS2 | 64 Kb | 3.0 | 20 | SOIC | 1 μ A | 3 mA @ 1 Mhz |
| N64S830HAT2 | | | | TSSOP | | |

Table 2. PIN NAMES

| Pin Name | Pin Function |
|------------------------|--------------------|
| $\overline{\text{CS}}$ | Chip Select Input |
| SCK | Serial Clock Input |
| SI | Serial Data Input |
| SO | Serial Data Output |
| HOLD | Hold Input |
| NC | No Connect |
| V _{CC} | Power |
| V _{SS} | Ground |

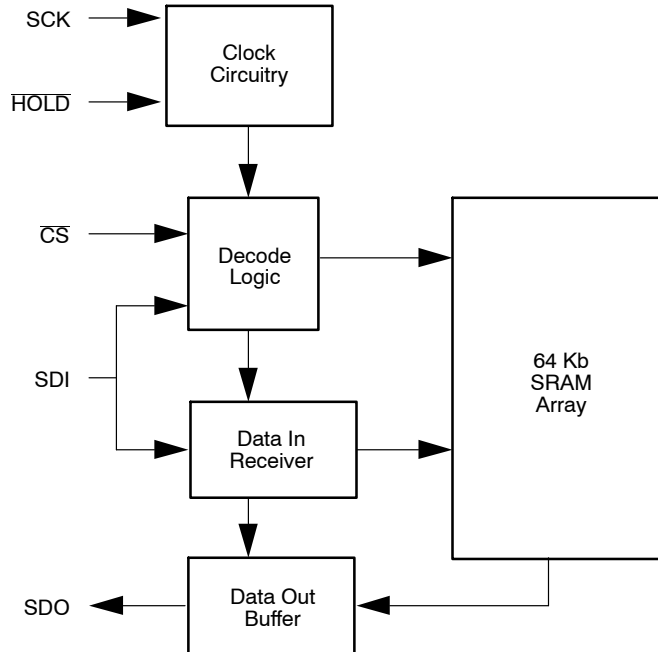


Figure 2. Functional Block Diagram

N64S830HA

Table 3. ABSOLUTE MAXIMUM RATINGS

| Item | Symbol | Rating | Unit |
|-------------------------------------------------|--------------|------------------------|------|
| Voltage on any pin relative to V_{SS} | $V_{IN,OUT}$ | -0.3 to $V_{CC} + 0.3$ | V |
| Voltage on V_{CC} Supply Relative to V_{SS} | V_{CC} | -0.3 to 4.5 | V |
| Power Dissipation | P_D | 500 | mW |
| Storage Temperature | T_{STG} | -40 to 125 | °C |
| Operating Temperature | T_A | -40 to +85 | °C |
| Soldering Temperature and Time | T_{SOLDER} | 260°C, 10 sec | °C |

Stresses exceeding Maximum Ratings may damage the device. Maximum Ratings are stress ratings only. Functional operation above the Recommended Operating Conditions is not implied. Extended exposure to stresses above the Recommended Operating Conditions may affect device reliability.

Table 4. OPERATING CHARACTERISTICS (Over Specified Temperature Range)

| Item | Symbol | Test Conditions | Min | Typ (Note 1) | Max | Unit |
|------------------------------|-----------|-------------------------------------------------------|---------------------|-----------------|----------------|------|
| Supply Voltage | V_{CC} | 3 V Device | 2.5 | | 3.6 | V |
| Input High Voltage | V_{IH} | | $0.7 \times V_{CC}$ | | $V_{CC} + 0.3$ | V |
| Input Low Voltage | V_{IL} | | -0.3 | | 0.8 | V |
| Output High Voltage | V_{OH} | $I_{OH} = -0.4$ mA | $V_{CC} - 0.5$ | | | V |
| Output Low Voltage | V_{OL} | $I_{OL} = 1$ mA | | | 0.2 | V |
| Input Leakage Current | I_{LI} | $\overline{CS} = V_{CC}, V_{IN} = 0$ to V_{CC} | | | 0.5 | μA |
| Output Leakage Current | I_{LO} | $\overline{CS} = V_{CC}, V_{OUT} = 0$ to V_{CC} | | | 0.5 | μA |
| Read/Write Operating Current | I_{CC1} | $F = 1$ MHz, $I_{OUT} = 0$ | | | 3 | mA |
| | I_{CC2} | $F = 10$ MHz, $I_{OUT} = 0$ | | | 6 | mA |
| | I_{CC3} | $F = f_{CLK}$ MAX, $I_{OUT} = 0$ | | | 10 | mA |
| Standby Current | I_{SB} | $\overline{CS} = V_{CC}, V_{IN} = V_{SS}$ or V_{CC} | | 1 | 4 | μA |

1. Typical values are measured at $V_{CC} = V_{CC}$ Typ., $T_A = 25^\circ\text{C}$ and are not 100% tested.

Table 5. CAPACITANCE (Note 2)

| Item | Symbol | Test Condition | Min | Max | Unit |
|-------------------|-----------|-------------------------------------------------------|-----|-----|------|
| Input Capacitance | C_{IN} | $V_{IN} = 0$ V, $f = 1$ MHz, $T_A = 25^\circ\text{C}$ | | 7 | pF |
| I/O Capacitance | $C_{I/O}$ | $V_{IN} = 0$ V, $f = 1$ MHz, $T_A = 25^\circ\text{C}$ | | 7 | pF |

2. These parameters are verified in device characterization and are not 100% tested

Table 6. TIMING TEST CONDITIONS

| Item | |
|------------------------------------------|------------------------------|
| Input Pulse Level | $0.1 V_{CC}$ to $0.9 V_{CC}$ |
| Input Rise and Fall Time | 5 ns |
| Input and Output Timing Reference Levels | $0.5 V_{CC}$ |
| Output Load | $CL = 100$ pF |
| Operating Temperature | -40 to +85°C |

N64S830HA

Table 7. TIMING

| Item | Symbol | Min | Max | Units |
|----------------------------------------|-----------|-----|-----|---------|
| Clock Frequency | f_{CLK} | | 20 | MHz |
| Clock Rise Time | t_R | | 2 | μs |
| Clock Fall Time | t_F | | 2 | μs |
| Clock High Time | t_{HI} | 25 | | ns |
| Clock Low Time | t_{LO} | 25 | | ns |
| Clock Delay Time | t_{CLD} | 25 | | ns |
| \overline{CS} Setup Time | t_{CSS} | 25 | | ns |
| \overline{CS} Hold Time | t_{CSH} | 50 | | ns |
| \overline{CS} Disable Time | t_{CSD} | 25 | | ns |
| SCK to \overline{CS} | t_{SCS} | 5 | | ns |
| Data Setup Time | t_{SU} | 10 | | ns |
| Data Hold Time | t_{HD} | 10 | | ns |
| Output Valid From Clock Low | t_V | | 25 | ns |
| Output Hold Time | t_{HO} | 0 | | ns |
| Output Disable Time | t_{DIS} | | 20 | ns |
| \overline{HOLD} Setup Time | t_{HS} | 10 | | ns |
| \overline{HOLD} Hold Time | t_{HH} | 10 | | ns |
| \overline{HOLD} Low to Output High-Z | t_{HZ} | 10 | | ns |
| \overline{HOLD} High to Output Valid | t_{HV} | | 50 | ns |

N64S830HA

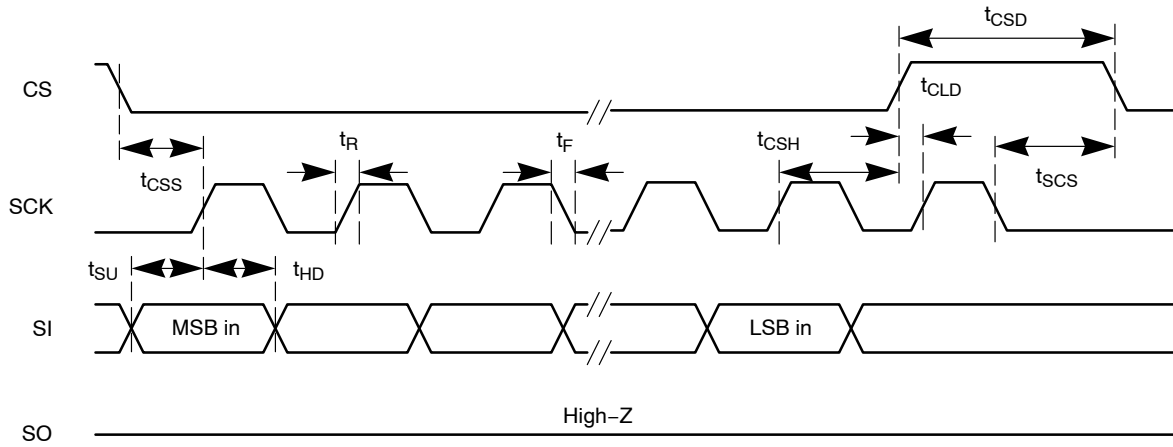


Figure 3. Serial Input Timing



Figure 4. Serial Output Timing



Figure 5. Hold Timing

Table 8. CONTROL SIGNAL DESCRIPTIONS

| Signal | Name | I/O | Description |
|-------------------|-----------------|-----|-------------------------------------------------------------------------------------------------------------------------------------------------------------------------------------------------------------------------------------------------------------------------------------------------------------------------------------------------------------------------------------------------------------------------------------------------------------------------------------------------------------------------------------------------------------------------------------------------------------------------------------------------------------------------------------------|
| \overline{CS} | Chip Select | I | A low level selects the device and a high level puts the device in standby mode. If \overline{CS} is brought high during a program cycle, the cycle will complete and then the device will enter standby mode. When \overline{CS} is high, SO is in high-Z. \overline{CS} must be driven low after power-up prior to any sequence being started. |
| SCK | Serial Clock | I | Synchronizes all activities between the memory and controller. All incoming addresses, data and instructions are latched on the rising edge of SCK. Data out is updated on SO after the falling edge of SCK. |
| SI | Serial Data In | I | Receives instructions, addresses and data on the rising edge of SCK. |
| SO | Serial Data Out | O | Data is transferred out after the falling edge of SCK. |
| \overline{HOLD} | Hold | I | A high level is required for normal operation. Once the device is selected and a serial sequence is started, this input may be taken low to pause serial communication without resetting the serial sequence. The pin must be brought low while SCK is low for immediate use. If SCK is not low, the Hold function will not be invoked until the next SCK high to low transition. The device must remain selected during this sequence. SO is high-Z during the Hold time and SI and SCK are inputs are ignored. To resume operations, \overline{HOLD} must be pulled high while the SCK pin is low. Lowering the \overline{HOLD} input at any time will take to SO output to High-Z. |

Functional Operation

Basic Operation

The 64 Kb serial SRAM is designed to interface directly with a standard Serial Peripheral Interface (SPI) common on many standard micro-controllers. It may also interface with other non-SPI ports by programming discrete I/O lines to operate the device.

The serial SRAM contains an 8-bit instruction register and is accessed via the SI pin. The \overline{CS} pin must be low and the \overline{HOLD} pin must be high for the entire operation. Data is

sampled on the first rising edge of SCK after \overline{CS} goes low. If the clock line is shared, the user can assert the \overline{HOLD} input and place the device into a Hold mode. After releasing the \overline{HOLD} pin, the operation will resume from the point where it was held.

The following table contains the possible instructions and formats. All instructions, addresses and data are transferred MSB first and LSB last.

Table 9. INSTRUCTION SET

| Instruction | Instruction Format | Description |
|-------------|--------------------|----------------------------------------------------|
| READ | 0000 0011 | Read data from memory starting at selected address |
| WRITE | 0000 0010 | Write data to memory starting at selected address |
| RDSR | 0000 0101 | Read status register |
| WRSR | 0000 0001 | Write status register |

READ Operations

The serial SRAM READ is selected by enabling \overline{CS} low. First, the 8-bit READ instruction is transmitted to the device followed by the 16-bit address with the 3 MSBs being don't care. After the READ instruction and addresses are sent, the data stored at that address in memory is shifted out on the SO pin after the output valid time from the clock edge.

If operating in page mode, after the initial word of data is shifted out, the data stored at the next memory location on the page can be read sequentially by continuing to provide clock pulses. The internal address pointer is automatically incremented to the next higher address on the page after each word of data is read out. This can be continued for the entire page length of 32 words long. At the end of the page, the

addresses pointer will be wrapped to the 0 word address within the page and the operation can be continuously looped over the 32 words of the same page.

If operating in burst mode, after the initial word of data is shifted out, the data stored at the next memory location can be read sequentially by continuing to provide clock pulses. The internal address pointer is automatically incremented to the next higher address after each word of data is read out. This can be continued for the entire array and when the highest address is reached (1FFFh), the address counter wraps to the address 0000h. This allows the burst read cycle to be continued indefinitely.

All READ operations are terminated by pulling \overline{CS} high.

N64S830HA



Figure 6. Word READ Sequence



Figure 7. Page and Burst READ Sequence

N64S830HA

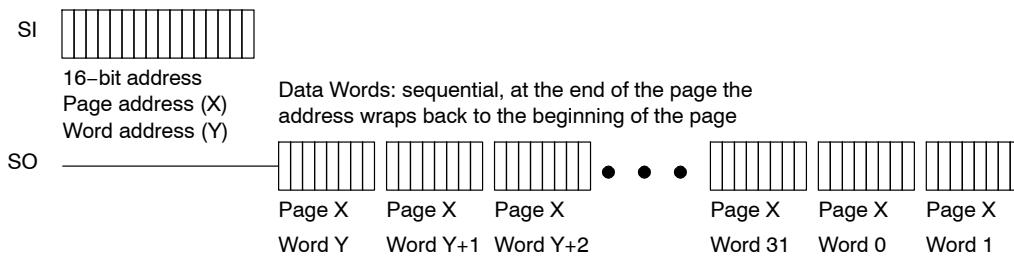


Figure 8. Page READ Sequence

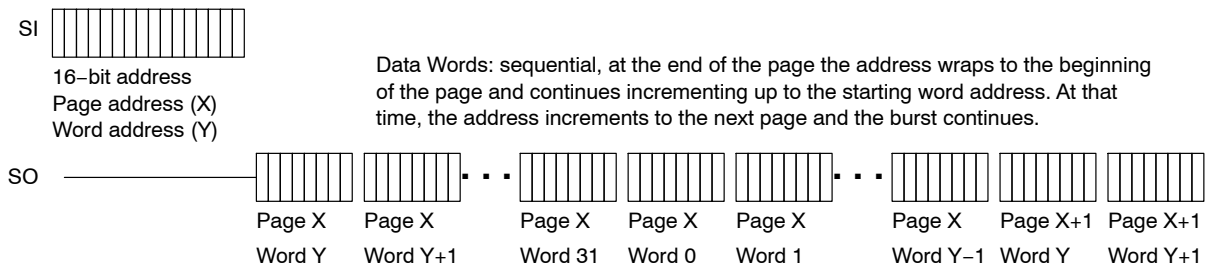


Figure 9. Burst READ Sequence

WRITE Operations

The serial SRAM WRITE is selected by enabling \overline{CS} low. First, the 8-bit WRITE instruction is transmitted to the device followed by the 16-bit address with the 3 MSBs being don't care. After the WRITE instruction and addresses are sent, the data to be stored in memory is shifted in on the SI pin.

If operating in page mode, after the initial word of data is shifted in, additional data words can be written as long as the address requested is sequential on the same page. Simply write the data on SI pin and continue to provide clock pulses. The internal address pointer is automatically incremented to the next higher address on the page after each word of data is written in. This can be continued for the entire page length of 32 words long. At the end of the page, the addresses pointer will be wrapped to the 0 word address within the

page and the operation can be continuously looped over the 32 words of the same page. The new data will replace data already stored in the memory locations.

If operating in burst mode, after the initial word of data is shifted in, additional data words can be written to the next sequential memory locations by continuing to provide clock pulses. The internal address pointer is automatically incremented to the next higher address after each word of data is read out. This can be continued for the entire array and when the highest address is reached (1FFFh), the address counter wraps to the address 0000h. This allows the burst write cycle to be continued indefinitely. Again, the new data will replace data already stored in the memory locations.

All WRITE operations are terminated by pulling \overline{CS} high.

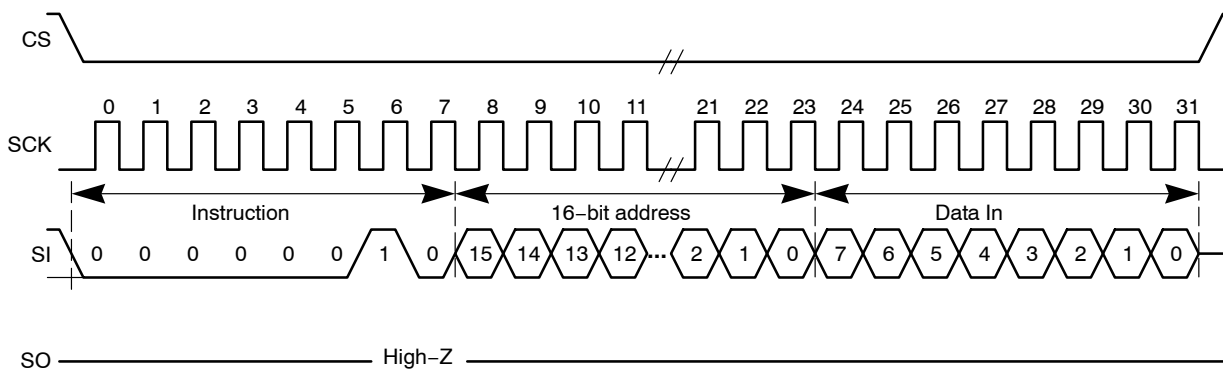


Figure 10. Word WRITE Sequence

N64S830HA



Figure 11. Page and Burst WRITE Sequence



Figure 12. Page WRITE Sequence



Figure 13. Burst WRITE Sequence

N64S830HA

WRITE Status Register Instruction (WRSR)

This instruction provides the ability to write the status register and select among several operating modes. Several of the register bits must be set to a low '0'. The timing

sequence to write to the status register is shown below, followed by the organization of the status register.

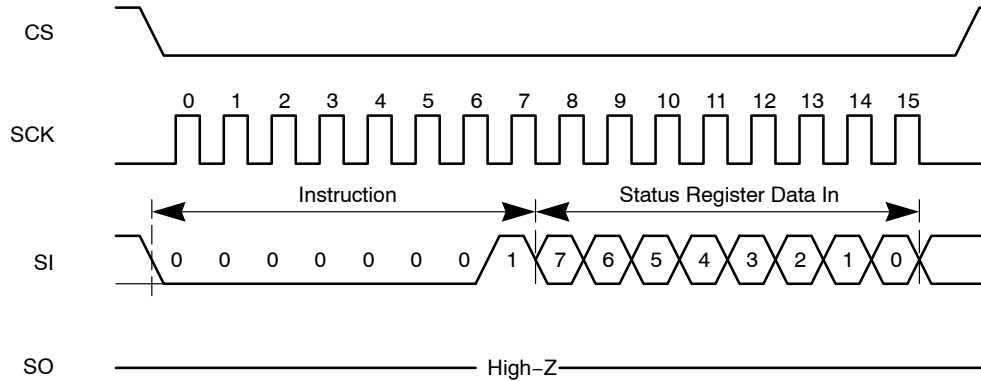


Figure 14. WRITE Status Register Sequence

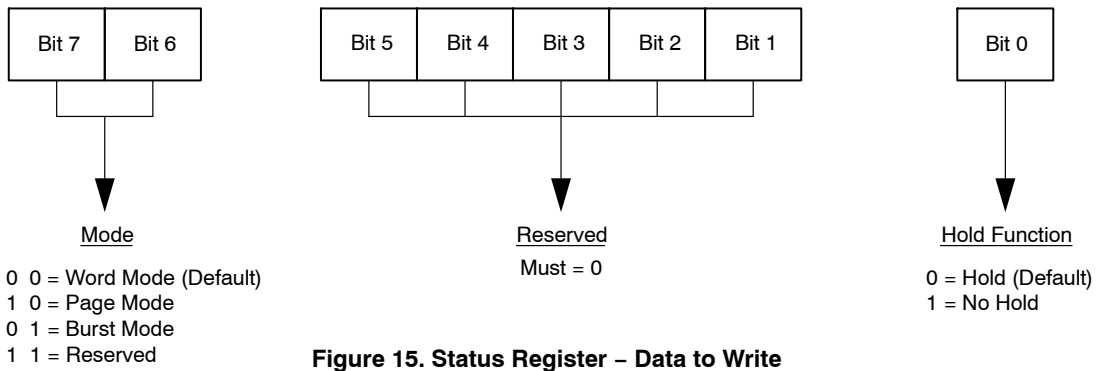


Figure 15. Status Register – Data to Write

N64S830HA

READ Status Register Instruction (RDSR)

This instruction provides the ability to read the programmable bits of the Status Register. These register bits may be read at any time by performing the following timing

sequence. Bits 0, 6 and 7 contain the data for the functional operation and Bit 1 will read data type '1' for the 64 Kb device.

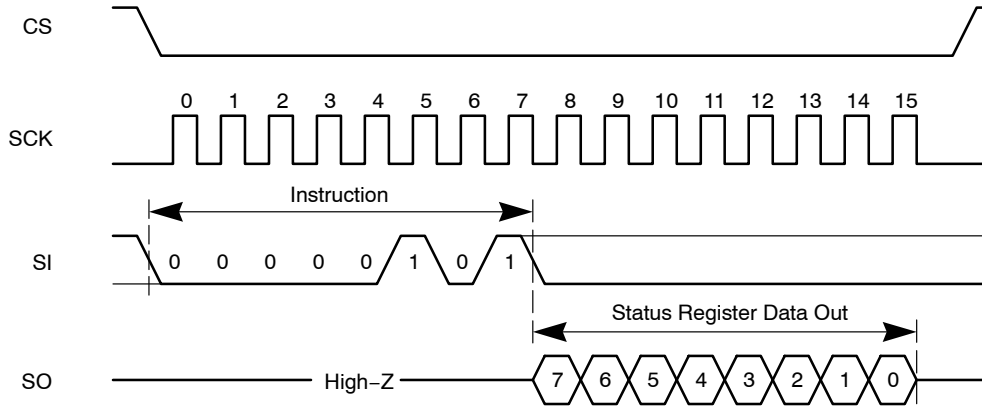


Figure 16. READ Status Register Instruction (RDSR)

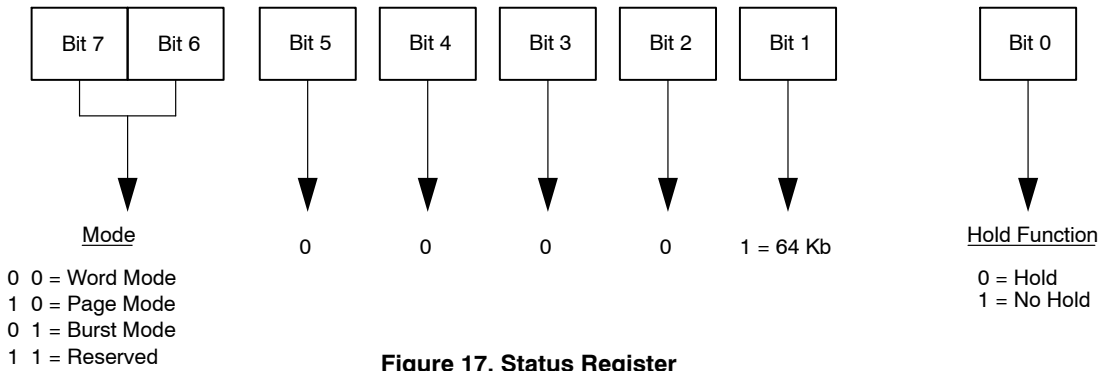


Figure 17. Status Register

Power-Up State

The serial SRAM enters a know state at power-up time. The device is in low-power standby state with $\overline{CS} = 1$. A low level on \overline{CS} is required to enter an active state.

N64S830HA

PACKAGE DIMENSIONS

TSSOP8, 4.4x3
CASE 948AL-01
ISSUE O



| SYMBOL | MIN | NOM | MAX |
|----------|----------|------|------|
| A | | | 1.20 |
| A1 | 0.05 | | 0.15 |
| A2 | 0.80 | 0.90 | 1.05 |
| b | 0.19 | | 0.30 |
| c | 0.09 | | 0.20 |
| D | 2.90 | 3.00 | 3.10 |
| E | 6.30 | 6.40 | 6.50 |
| E1 | 4.30 | 4.40 | 4.50 |
| e | 0.65 BSC | | |
| L | 1.00 REF | | |
| L1 | 0.50 | 0.60 | 0.75 |
| θ | 0° | | 8° |

TOP VIEW



SIDE VIEW



END VIEW

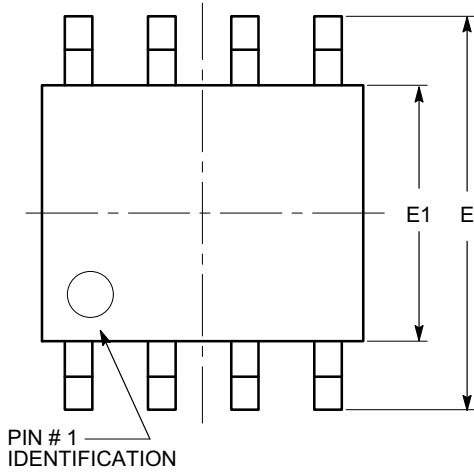
Notes:

- (1) All dimensions are in millimeters. Angles in degrees.
- (2) Complies with JEDEC MO-153.

N64S830HA

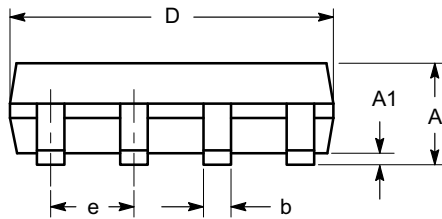
PACKAGE DIMENSIONS

SOIC 8, 150 mils
CASE 751BD-01
ISSUE O

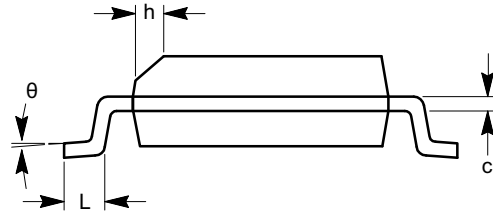


TOP VIEW

| SYMBOL | MIN | NOM | MAX |
|----------|----------|-----|------|
| A | 1.35 | | 1.75 |
| A1 | 0.10 | | 0.25 |
| b | 0.33 | | 0.51 |
| c | 0.19 | | 0.25 |
| D | 4.80 | | 5.00 |
| E | 5.80 | | 6.20 |
| E1 | 3.80 | | 4.00 |
| e | 1.27 BSC | | |
| h | 0.25 | | 0.50 |
| L | 0.40 | | 1.27 |
| θ | 0° | | 8° |




SIDE VIEW



END VIEW

Notes:

- (1) All dimensions are in millimeters. Angles in degrees.
- (2) Complies with JEDEC MS-012.

ON Semiconductor and  are registered trademarks of Semiconductor Components Industries, LLC (SCILLC). SCILLC owns the rights to a number of patents, trademarks, copyrights, trade secrets, and other intellectual property. A listing of SCILLC's product/patent coverage may be accessed at www.onsemi.com/site/pdf/Patent-Marking.pdf. SCILLC reserves the right to make changes without further notice to any products herein. SCILLC makes no warranty, representation or guarantee regarding the suitability of its products for any particular purpose, nor does SCILLC assume any liability arising out of the application or use of any product or circuit, and specifically disclaims any and all liability, including without limitation special, consequential or incidental damages. "Typical" parameters which may be provided in SCILLC data sheets and/or specifications can and do vary in different applications and actual performance may vary over time. All operating parameters, including "Typicals" must be validated for each customer application by customer's technical experts. SCILLC does not convey any license under its patent rights nor the rights of others. SCILLC products are not designed, intended, or authorized for use as components in systems intended for surgical implant into the body, or other applications intended to support or sustain life, or for any other application in which the failure of the SCILLC product could create a situation where personal injury or death may occur. Should Buyer purchase or use SCILLC products for any such unintended or unauthorized application, Buyer shall indemnify and hold SCILLC and its officers, employees, subsidiaries, affiliates, and distributors harmless against all claims, costs, damages, and expenses, and reasonable attorney fees arising out of, directly or indirectly, any claim of personal injury or death associated with such unintended or unauthorized use, even if such claim alleges that SCILLC was negligent regarding the design or manufacture of the part. SCILLC is an Equal Opportunity/Affirmative Action Employer. This literature is subject to all applicable copyright laws and is not for resale in any manner.

PUBLICATION ORDERING INFORMATION

LITERATURE FULFILLMENT:
Literature Distribution Center for ON Semiconductor
P.O. Box 5163, Denver, Colorado 80217 USA
Phone: 303-675-2175 or 800-344-3860 Toll Free USA/Canada
Fax: 303-675-2176 or 800-344-3867 Toll Free USA/Canada
Email: orderlit@onsemi.com

N. American Technical Support: 800-282-9855 Toll Free
USA/Canada
Europe, Middle East and Africa Technical Support:
Phone: 421 33 790 2910
Japan Customer Focus Center
Phone: 81-3-5817-1050

ON Semiconductor Website: www.onsemi.com
Order Literature: <http://www.onsemi.com/orderlit>
For additional information, please contact your local
Sales Representative



Компания «ЭлектроПласт» предлагает заключение долгосрочных отношений при поставках импортных электронных компонентов на взаимовыгодных условиях!

Наши преимущества:

- Оперативные поставки широкого спектра электронных компонентов отечественного и импортного производства напрямую от производителей и с крупнейших мировых складов;
- Поставка более 17-ти миллионов наименований электронных компонентов;
- Поставка сложных, дефицитных, либо снятых с производства позиций;
- Оперативные сроки поставки под заказ (от 5 рабочих дней);
- Экспресс доставка в любую точку России;
- Техническая поддержка проекта, помощь в подборе аналогов, поставка прототипов;
- Система менеджмента качества сертифицирована по Международному стандарту ISO 9001;
- Лицензия ФСБ на осуществление работ с использованием сведений, составляющих государственную тайну;
- Поставка специализированных компонентов (Xilinx, Altera, Analog Devices, Intersil, Interpoint, Microsemi, Aeroflex, Peregrine, Syfer, Eurofarad, Texas Instrument, Miteq, Cobham, E2V, MA-COM, Hittite, Mini-Circuits, General Dynamics и др.);

Помимо этого, одним из направлений компании «ЭлектроПласт» является направление «Источники питания». Мы предлагаем Вам помощь Конструкторского отдела:

- Подбор оптимального решения, техническое обоснование при выборе компонента;
- Подбор аналогов;
- Консультации по применению компонента;
- Поставка образцов и прототипов;
- Техническая поддержка проекта;
- Защита от снятия компонента с производства.



Как с нами связаться

Телефон: 8 (812) 309 58 32 (многоканальный)

Факс: 8 (812) 320-02-42

Электронная почта: org@eplast1.ru

Адрес: 198099, г. Санкт-Петербург, ул. Калинина, дом 2, корпус 4, литера А.