

## PRELIMINARY Product Specification

### RoHS-6 Compliant 10Gb/s 850nm Multimode Datacom XFP Optical Transceiver FTLX8512D3BCL

#### PRODUCT FEATURES

- Hot-pluggable XFP footprint
- Supports 9.95Gb/s to 10.5Gb/s\* bit rates
- Power dissipation <1.5W
- RoHS-6 compliant (lead-free)
- Temperature range -5°C to 70°C
- Single power supply: 3.3V
- Maximum link length of 300m
- Uncooled 850nm VCSEL laser.
- Duplex LC connector
- No Reference Clock required
- Built-in digital diagnostic functions
- Standard bail release mechanism



#### APPLICATIONS

- 10GBASE-SR/SW 10G Ethernet
- 1200-Mx-SN-I 10G Fibre Channel

Finisar's FTLX8512D3BCL Small Form Factor 10Gb/s (XFP) transceivers are compliant with the current XFP Multi-Source Agreement (MSA) Specification<sup>1</sup>. They comply with 10-Gigabit Ethernet 10GBASE-SR/SW per IEEE 802.3ae and 10G Fibre Channel 1200-Mx-SN-I. Digital diagnostics functions are available via a 2-wire serial interface, as specified in the XFP MSA. The transceiver is RoHS compliant and lead free per Directive 2002/95/EC<sup>3</sup>, and Finisar Application Note AN-2038<sup>4</sup>.

#### PRODUCT SELECTION

**FTLX8512D3BCL**

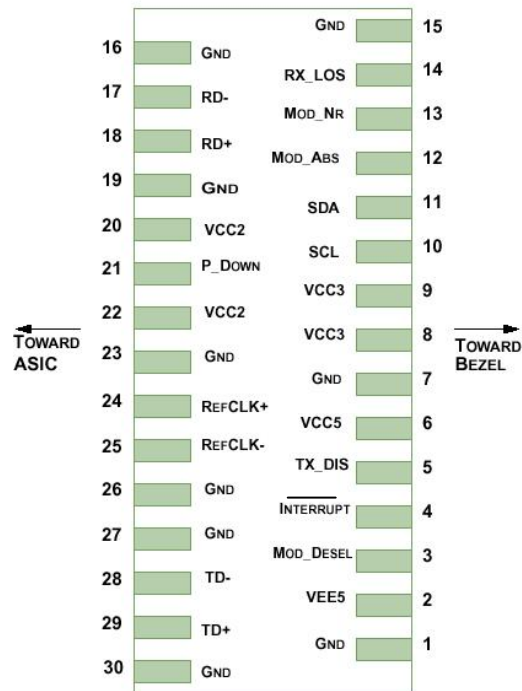
\*Contact Finisar for higher data rate support.

**I. Pin Descriptions**

Pin	Logic	Symbol	Name/Description	Ref.
1		GND	Module Ground	1
2		VEE5	Optional –5.2 Power Supply – <b>Not required</b>	
3	LVTTL-I	Mod-Desel	Module De-select; When held low allows the module to respond to 2-wire serial interface commands	
4	LVTTL-O	Interrupt	Interrupt (bar); Indicates presence of an important condition which can be read over the serial 2-wire interface	2
5	LVTTL-I	TX_DIS	Transmitter Disable; Transmitter laser source turned off	
6		VCC5	+5 Power Supply – <b>Not required</b>	
7		GND	Module Ground	1
8		VCC3	+3.3V Power Supply	
9		VCC3	+3.3V Power Supply	
10	LVTTL-I	SCL	Serial 2-wire interface clock	2
11	LVTTL-I/O	SDA	Serial 2-wire interface data line	2
12	LVTTL-O	Mod_Abs	Module Absent; Indicates module is not present. Grounded in the module.	2
13	LVTTL-O	Mod_NR	Module Not Ready; Finisar defines it as a logical OR between RX_LOS and Loss of Lock in TX/RX.	2
14	LVTTL-O	RX_LOS	Receiver Loss of Signal indicator	2
15		GND	Module Ground	1
16		GND	Module Ground	1
17	CML-O	RD-	Receiver inverted data output	
18	CML-O	RD+	Receiver non-inverted data output	
19		GND	Module Ground	1
20		VCC2	+1.8V Power Supply – <b>Not required</b>	
21	LVTTL-I	P_Down/RST	Power Down; When high, places the module in the low power stand-by mode and on the falling edge of P_Down initiates a module reset Reset; The falling edge initiates a complete reset of the module including the 2-wire serial interface, equivalent to a power cycle.	
22		VCC2	+1.8V Power Supply – <b>Not required</b>	
23		GND	Module Ground	1
24	PECL-I	RefCLK+	Reference Clock non-inverted input, AC coupled on the host board – <b>Not required</b>	3
25	PECL-I	RefCLK-	Reference Clock inverted input, AC coupled on the host board – <b>Not required</b>	3
26		GND	Module Ground	1
27		GND	Module Ground	1
28	CML-I	TD-	Transmitter inverted data input	
29	CML-I	TD+	Transmitter non-inverted data input	
30		GND	Module Ground	1

Notes:

1. Module circuit ground is isolated from module chassis ground within the module.
2. Open collector; should be pulled up with 4.7k $\Omega$  – 10k $\Omega$  on host board to a voltage between 3.15V and 3.6V.
3. A Reference Clock input is not required by the FTLX8512D3BCL. If present, it will be ignored.



**Diagram of Host Board Connector Block Pin Numbers and Name**

## II. Absolute Maximum Ratings

Parameter	Symbol	Min	Typ	Max	Unit	Ref.
Maximum Supply Voltage	V <sub>cc3</sub>	-0.5		4.0	V	
Storage Temperature	T <sub>S</sub>	-40		85	°C	
Case Operating Temperature	T <sub>OP</sub>	-5		70	°C	

**III. Electrical Characteristics (T<sub>OP</sub> = -5 to 70 °C, V<sub>CC3</sub> = 3.13 to 3.45 Volts)**

Parameter	Symbol	Min	Typ	Max	Unit	Ref.	
Supply Voltage	V <sub>cc3</sub>	3.13		3.45	V		
Supply Current	I <sub>cc3</sub>			400	mA		
Module total power	P			1.5	W	1	
<b>Transmitter</b>							
Input differential impedance	R <sub>in</sub>		100		Ω	2	
Differential data input swing	V <sub>in,pp</sub>	120		1000	mV		
Transmit Disable Voltage	V <sub>D</sub>	2.0		V <sub>cc</sub>	V	3	
Transmit Enable Voltage	V <sub>EN</sub>	GND		GND+ 0.8	V		
Transmit Disable Assert Time				10	us		
<b>Receiver</b>							
Differential data output swing	V <sub>out,pp</sub>	600	650	800	mV	4	
Data output rise time	t <sub>r</sub>			40	ps	5	
Data output fall time	t <sub>f</sub>			40	ps	5	
LOS Fault	V <sub>LOS fault</sub>	V <sub>cc</sub> – 0.5		V <sub>ccHOST</sub>	V	6	
LOS Normal	V <sub>LOS norm</sub>	GND		GND+0.5	V	6	
Power Supply Rejection	PSR	See Note 6 below					7

Notes:

1. Maximum total power value is specified across the full temperature and voltage range.
2. After internal AC coupling.
3. Or open circuit.
4. Into 100 ohms differential termination.
5. 20 – 80 %.
6. Loss Of Signal is open collector to be pulled up with a 4.7kΩ – 10kΩ resistor to 3.15 – 3.6V. Logic 0 indicates normal operation; logic 1 indicates no signal detected.
7. Per Section 2.7.1. in the XFP MSA Specification<sup>1</sup>.

**IV. Optical Characteristics (T<sub>OP</sub> = -5 to 70 °C, V<sub>CC3</sub> = 3.13 to 3.45 Volts)**

Parameter	Symbol	Min	Typ	Max	Unit	Ref.	
<b>Transmitter</b>							
Optical Modulation Amplitude (OMA)	P <sub>OMA</sub>	-2.8	-1.5		dBm		
Average Optical Power	P <sub>AVE</sub>	-5.0		-1.0		1	
Optical Wavelength	$\lambda$	840	850	860	nm		
RMS Spectral Width	$\Delta\lambda_{rms}$		0.4	0.45	dB		
Optical Extinction Ratio	ER	3.0	5.5		dB		
Transmitter and Dispersion Penalty	TDP			3.9	dB		
Average Launch power of OFF transmitter	P <sub>OFF</sub>			-30	dBm		
Tx Jitter	Tx <sub>j</sub>	Per 802.3ae requirements					
Encircled Flux	<4.5 $\mu$ m			30	%	2	
	<19 $\mu$ m	86					
Relative Intensity Noise	RIN <sub>12</sub> OMA			-128	dB/Hz		
<b>Receiver</b>							
Receiver Sensitivity (OMA) @ 10.5Gb/s	R <sub>SENS1</sub>			-11.1	dBm	3	
Stressed Receiver Sensitivity (OMA) @ 10.3Gb/s	R <sub>SENS2</sub>			-7.5	dBm	4	
Maximum Input Power	P <sub>MAX</sub>	+0.5			dBm		
Wavelength Range	$\lambda_C$	840		860	nm		
Receiver Reflectance	R <sub>rx</sub>			-12	dB		
LOS De-Assert	LOS <sub>D</sub>	-30			dBm		
LOS Assert	LOS <sub>A</sub>		-20	-12	dBm		
LOS Hysteresis		0.5			dB		

**Notes:**

1. Average power figures are informative only, per IEEE 802.3ae.
2. Measured into Type A1a (50/125  $\mu$ m multimode) fiber per ANSI/TIA/EIA-455-203-2.
3. Measured with worst ER; BER < 10<sup>-12</sup>; 2<sup>31</sup> - 1 PRBS.
4. Per IEEE 802.3ae.

**V. General Specifications**

Parameter		Symbol	Min	Typ	Max	Units	Ref.
Bit Rate		BR	9.95		10.5	Gb/s	1
Bit Error Ratio		BER			$10^{-12}$		2
<b>Maximum Supported Distances</b>							
Fiber Type	850nm OFL Bandwidth						
62.5 $\mu$ m	160MHz-km	Lmax			26	m	
	OM1 200MHz-km				33		
50 $\mu$ m	400MHz-km	Lmax			66	m	
	OM2 500MHz-km				82		
	OM3 2000MHz-km				300		

Notes:

- 10GBASE-SR/SW, 1200-Mx-SN-I
- Tested with a  $2^{31} - 1$  PRBS

**VI. Environmental Specifications**

Finisar XFP transceivers have an operating temperature range from  $-5^{\circ}\text{C}$  to  $+70^{\circ}\text{C}$  case temperature.

Parameter	Symbol	Min	Typ	Max	Units	Ref.
Case Operating Temperature	$T_{\text{op}}$	-5		70	$^{\circ}\text{C}$	
Storage Temperature	$T_{\text{sto}}$	-40		85	$^{\circ}\text{C}$	

**VII. Regulatory Compliance**

Finisar transceivers are Class 1 Laser Products and comply with US FDA regulations. These products are certified by TÜV and CSA to meet the Class 1 eye safety requirements of EN (IEC) 60825 and the electrical safety requirements of EN (IEC) 60950. Copies of certificates are available at Finisar Corporation upon request.

## VIII. Digital Diagnostic Functions

As defined by the XFP MSA<sup>1</sup>, Finisar XFP transceivers provide digital diagnostic functions via a 2-wire serial interface, which allows real-time access to the following operating parameters:

- Transceiver temperature
- Laser bias current
- Transmitted optical power
- Received optical power
- Transceiver supply voltage

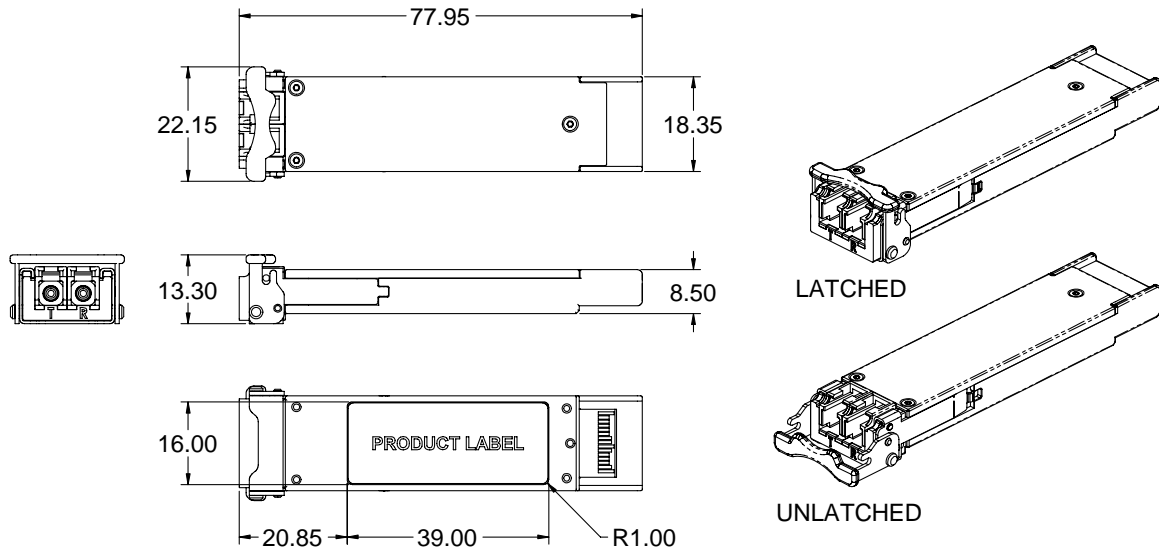
It also provides a sophisticated system of alarm and warning flags, which may be used to alert end-users when particular operating parameters are outside of a factory-set normal range.

The operating and diagnostics information is monitored and reported by a Digital Diagnostics Transceiver Controller (DDTC) inside the transceiver, which is accessed through the 2-wire serial interface. When the serial protocol is activated, the serial clock signal (SCL pin) is generated by the host. The positive edge clocks data into the XFP transceiver into those segments of its memory map that are not write-protected. The negative edge clocks data from the XFP transceiver. The serial data signal (SDA pin) is bi-directional for serial data transfer. The host uses SDA in conjunction with SCL to mark the start and end of serial protocol activation. The memories are organized as a series of 8-bit data words that can be addressed individually or sequentially. The 2-wire serial interface provides sequential or random access to the 8 bit parameters, addressed from 000h to the maximum address of the memory.

For more detailed information including memory map definitions, please see Finisar Application Note AN-2035 “Digital Diagnostic Monitoring Interface for XFP Optical Transceivers”, or the XFP MSA Specification<sup>1</sup>.

## IX. Mechanical Specifications

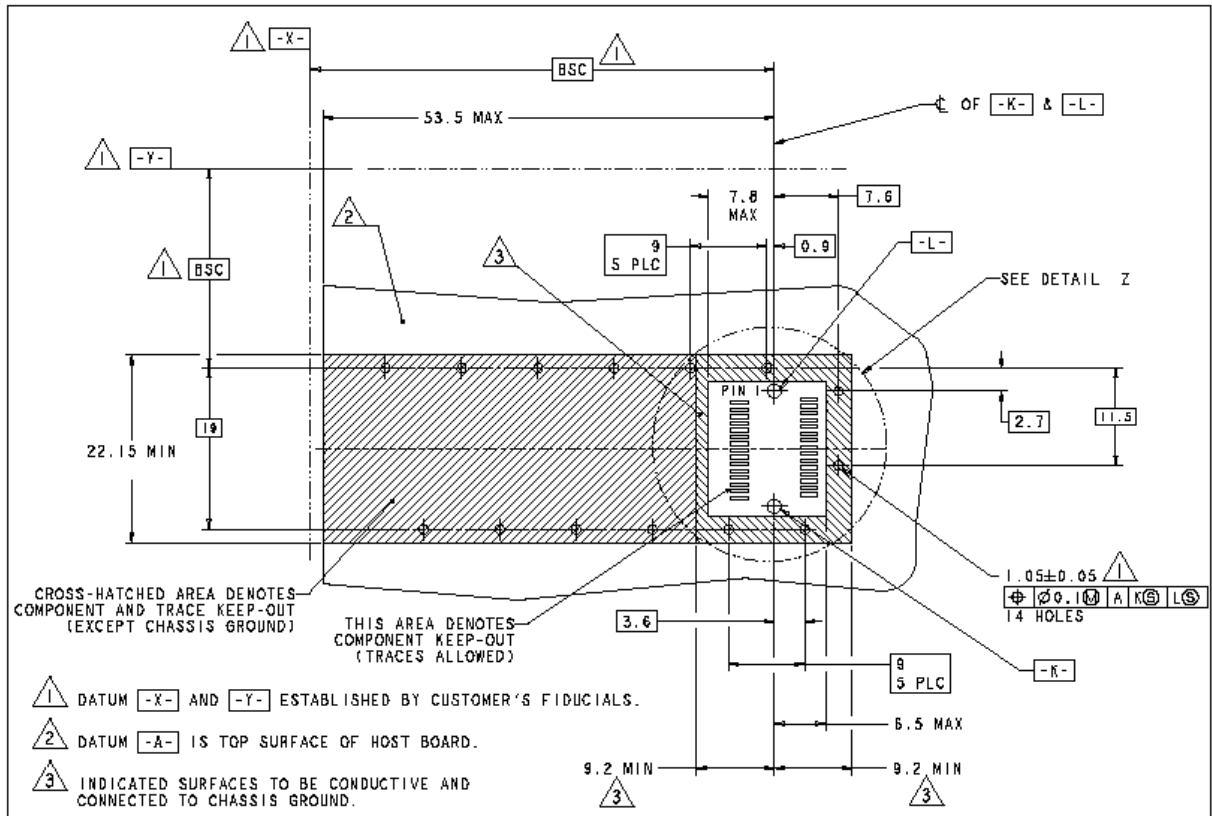
Finisar's XFP transceivers are compliant with the dimensions defined by the XFP Multi-Sourcing Agreement (MSA). Bail color is beige.



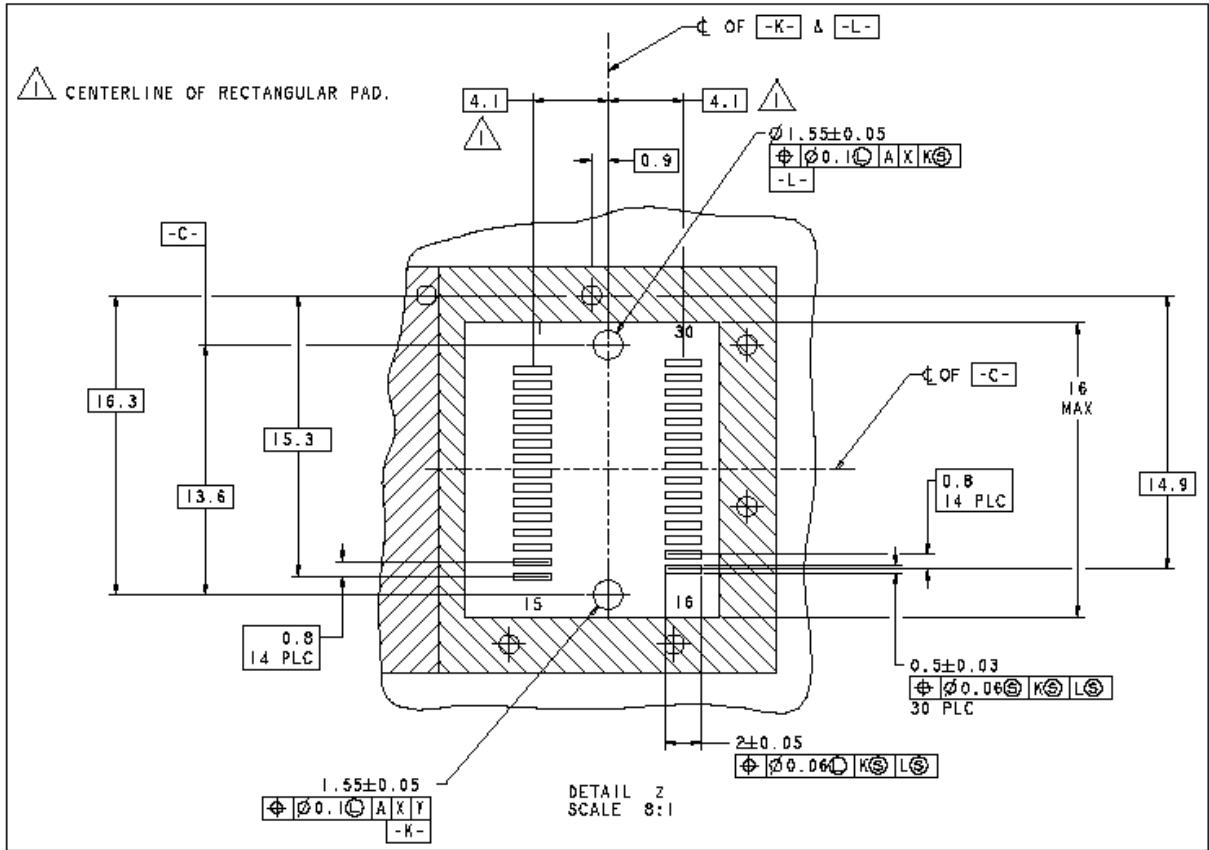
**XFP Transceiver (dimensions are in mm)**



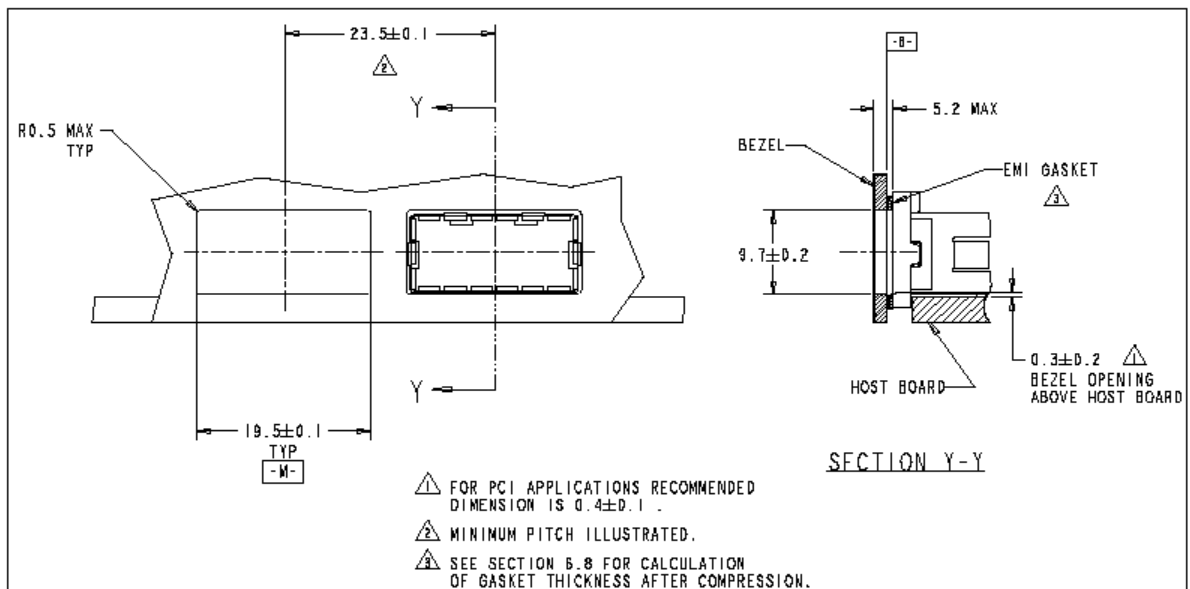
**X. PCB Layout and Bezel Recommendations**



**XFP Host Board Mechanical Layout (dimensions are in mm)**



**XFP Detail Host Board Mechanical Layout (dimensions are in mm)**



**XFP Recommended Bezel Design (dimensions are in mm)**

**XI. References**

1. 10 Gigabit Small Form Factor Pluggable Module (XFP) Multi-Source Agreement (MSA), Rev 4.5 - August 2005. Documentation is currently available at <http://www.xfpmsa.org/>
2. Application Note AN-2035: “Digital Diagnostic Monitoring Interface for XFP Optical Transceivers” – Finisar Corporation, December 2003
3. Directive 2002/95/EC of the European Council Parliament and of the Council, “on the restriction of the use of certain hazardous substances in electrical and electronic equipment”. January 27, 2003.
4. “Application Note AN-2038: Finisar Implementation Of RoHS Compliant Transceivers”, Finisar Corporation, January 21, 2005.

**XII. For More Information**

Finisar Corporation  
1389 Moffett Park Drive  
Sunnyvale, CA 94089-1133  
Tel. 1-408-548-1000  
Fax 1-408-541-6138  
[sales@finisar.com](mailto:sales@finisar.com)  
[www.finisar.com](http://www.finisar.com)



Компания «ЭлектроПласт» предлагает заключение долгосрочных отношений при поставках импортных электронных компонентов на взаимовыгодных условиях!

Наши преимущества:

- Оперативные поставки широкого спектра электронных компонентов отечественного и импортного производства напрямую от производителей и с крупнейших мировых складов;
- Поставка более 17-ти миллионов наименований электронных компонентов;
- Поставка сложных, дефицитных, либо снятых с производства позиций;
- Оперативные сроки поставки под заказ (от 5 рабочих дней);
- Экспресс доставка в любую точку России;
- Техническая поддержка проекта, помощь в подборе аналогов, поставка прототипов;
- Система менеджмента качества сертифицирована по Международному стандарту ISO 9001;
- Лицензия ФСБ на осуществление работ с использованием сведений, составляющих государственную тайну;
- Поставка специализированных компонентов (Xilinx, Altera, Analog Devices, Intersil, Interpoint, Microsemi, Aeroflex, Peregrine, Syfer, Eurofarad, Texas Instrument, Miteq, Cobham, E2V, MA-COM, Hittite, Mini-Circuits, General Dynamics и др.);

Помимо этого, одним из направлений компании «ЭлектроПласт» является направление «Источники питания». Мы предлагаем Вам помощь Конструкторского отдела:

- Подбор оптимального решения, техническое обоснование при выборе компонента;
- Подбор аналогов;
- Консультации по применению компонента;
- Поставка образцов и прототипов;
- Техническая поддержка проекта;
- Защита от снятия компонента с производства.



#### Как с нами связаться

**Телефон:** 8 (812) 309 58 32 (многоканальный)

**Факс:** 8 (812) 320-02-42

**Электронная почта:** [org@eplast1.ru](mailto:org@eplast1.ru)

**Адрес:** 198099, г. Санкт-Петербург, ул. Калинина, дом 2, корпус 4, литера А.