

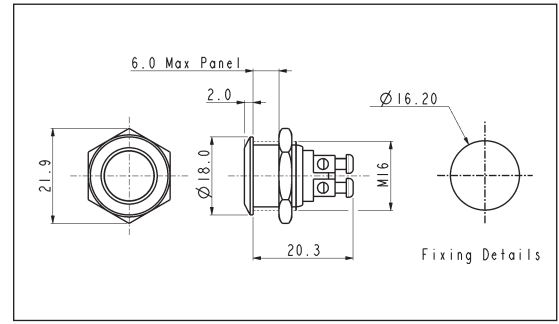
**Stainless Steel - Momentary**

**FLUSH PROFILE**



**MP0042/1**

- 18mm bezel diameter
- 16mm panel hole
- S.P. Push to make
- Polished finish
- 2A, 48V d.c.

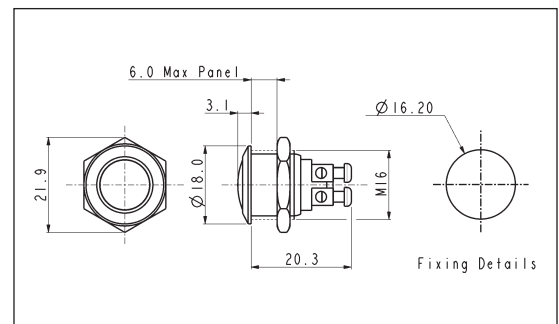


**DOMED PROFILE**



**MP0042/2**

- 18mm bezel diameter
- 16mm panel hole
- S.P. Push to make
- Polished finish
- 2A, 48V d.c.

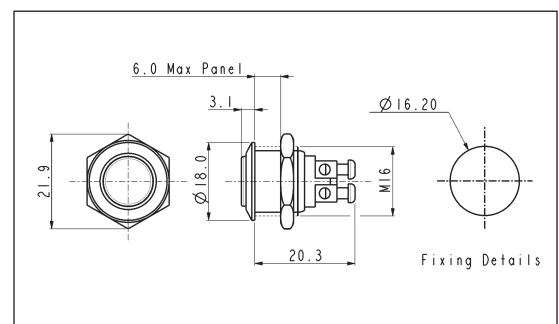


**PROMINENT BUTTON**



**MP0042/3**

- 18mm bezel diameter
- 16mm panel hole
- S.P. Push to make
- Polished finish
- 2A, 48V d.c.



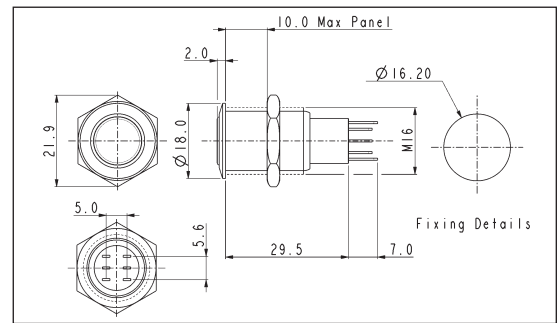
Specification	MP0042/1	MP0042/2	MP0042/3
Terminations:	Screw Terminals	Screw Terminals	Screw Terminals
Switching:	S.P. Push to Make	S.P. Push to Make	S.P. Push to Make
Max. Rating:	2A, 48V d.c.	2A, 48V d.c.	2A, 48V d.c.
Contact Resistance:	50mΩ at 1A, 2V	50mΩ at 1A, 12V	50mΩ at 1A, 12V
Insulation Resistance:	>10 <sup>3</sup> MΩ @ 500V d.c.	>10 <sup>3</sup> MΩ @ 500V d.c.	>10 <sup>3</sup> MΩ @ 500V d.c.
Dielectric Strength:	>2.0kV a.c.	>2.0kV a.c.	>2.0kV a.c.
Operating Temp. Range:	-20°C to +55°C	-20°C to +55°C	-20°C to +55°C
Operations			
Mechanical:	1,000,000 (min)	1,000,000 (min)	1,000,000 (min)
Electrical:	100,000 (min)	100,000 (min)	100,000 (min)
Rear Nut Fixing Torque:	12Nm	12Nm	12Nm
Materials			
Mouldings:	Nylon	Nylon	Nylon
Tags/Terminations:	Brass, Silver Plated	Brass, Silver Plated	Brass, Silver Plated
Switch Body & Button:	Stainless Steel (Polished)	Stainless Steel (Polished)	Stainless Steel (Polished)
Contacts:	Silver	Silver	Silver
Variants:	Gold Plated Brass version available	Gold Plated Brass version available	Gold Plated Brass version available
<b>RoHS</b>	Compliant	Compliant	Compliant

## Stainless Steel - Momentary

### LOW PROFILE



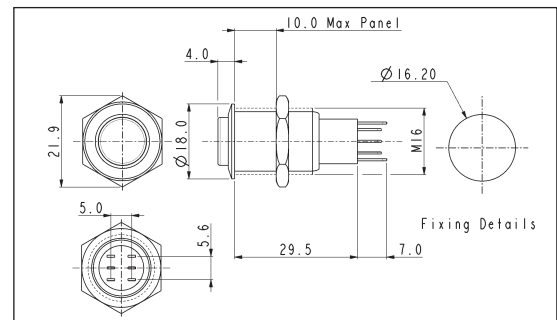
- 18mm bezel diameter
- 16mm fixing hole diameter
- D.P.C.O
- 3A, 250V



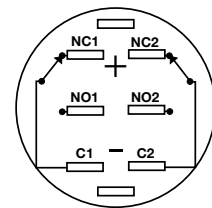
### PROMINENT BUTTON



- 18mm bezel diameter
- 16mm fixing hole diameter
- D.P.C.O
- 3A, 250V



### Contact Layout



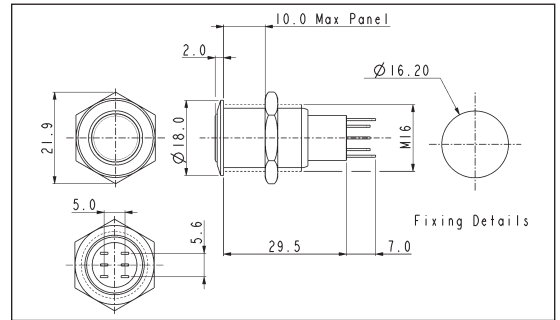
Specification	MP0045/1D0NN000	MP0045/3D0NN000
Terminations:	Solder tags	Solder Tags
Switching:	D.P.C.O Momentary Action	D.P.C.O Momentary Action
Max. Rating:	3A, 250V	3A, 250V
Contact Resistance:	50mΩ max. @ 1A, 2V	50mΩ max. @ 1A, 2V
Insulation Resistance:	> 10 <sup>3</sup> MΩ @ 500V d.c.	> 10 <sup>3</sup> MΩ @ 500V d.c.
Dielectric Strength:	> 2.0kV a.c.	> 2.0kV a.c.
Operating Temp. Range:	-20°C to +55°C	-20°C to +55°C
Operations		
Mechanical:	200,000 (min)	200,000 (min)
Electrical:	30,000 (min)	30,000 (min)
Rear Nut Fixing Torque:	12Nm max.	12Nm max.
Materials		
Mouldings:	Nylon	Nylon
Tags/Terminations:	Brass, Silver Plated	Brass, Silver Plated
Switch Body & Button:	Stainless Steel	Stainless Steel
Contacts:	Silver	Silver
Variants:	Nickel Plated Brass version available details on request	Nickel Plated Brass version available details on request
RoHS	Compliant	Compliant

Stainless Steel - Latching

LOW PROFILE



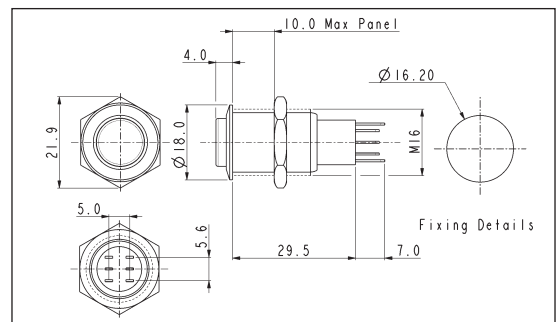
- 18mm bezel diameter
- 16mm fixing hole diameter
- D.P.C.O.
- 3A, 250V a.c.



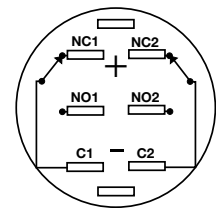
PROMINENT BUTTON



- 18mm bezel diameter
- 16mm fixing hole diameter
- D.P.C.O.
- 3A, 250V a.c.



Contact Layout



Specification	MP0045/1E0NN00	MP0045/3E0NN00
Terminations:	Solder Tags	Solder Tags
Switching:	D.P.C.O. - Latching Action	D.P.C.O. - Latching Action
Max. Rating:	3A, 250V	3A, 250V
Contact Resistance:	50mΩ max. @ 1A, 2V	50mΩ max. @ 1A, 2V
Insulation Resistance:	>10 <sup>3</sup> MΩ @ 500V d.c.	>10 <sup>3</sup> MΩ @ 500V d.c.
Dielectric Strength:	>2.0kV a.c.	>2.0kV a.c.
Operating Temp. Range:	-20°C to +55°C	-20°C to +55°C
Operations		
Mechanical:	200,000 (min)	200,000 (min)
Electrical:	30,000 (min)	30,000 (min)
Rear Nut Fixing Torque:	12Nm max.	12Nm max.
Materials		
Mouldings:	Nylon	Nylon
Tags/Terminations:	Brass, Tin Plated	Brass, Tin Plated
Switch Body & Button:	Stainless Steel (Polished)	Stainless Steel (Polished)
Contacts:	Silver	Silver
Variants:	Nickel Plated Brass version details on request	Nickel Plated Brass version details on request
RoHS	Compliant	Compliant

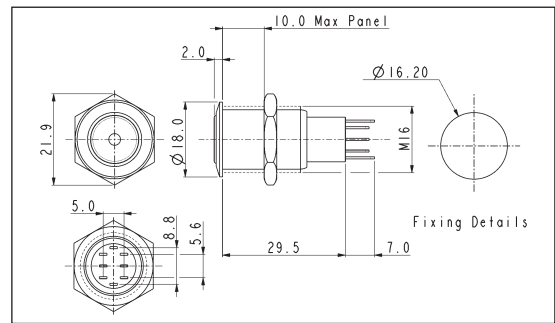
## Stainless Steel Illuminated Momentary

### FRONT PANEL MOUNTING



**MP0045/1D1**

- Dot Illuminated
- 18mm bezel diameter
- D.P.C.O.
- 3A, 250V ac
- Red, Green, Amber or Blue Illumination
- Separate LED Terminals

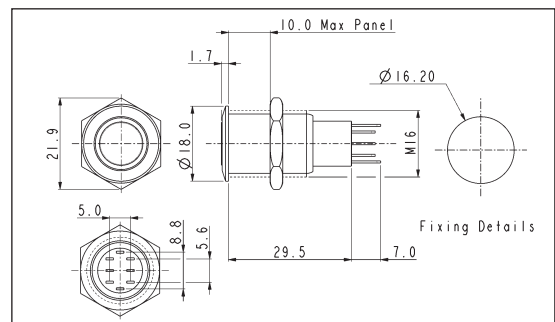


### FRONT PANEL MOUNTING

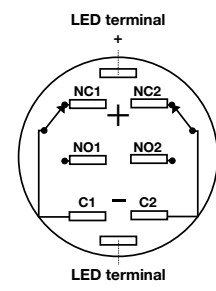


**MP0045/1D2**

- Ring Illuminated
- 18mm bezel diameter
- D.P.C.O.
- 3A, 250V ac
- Red, Green, Amber or Blue Illumination
- Separate LED Terminals



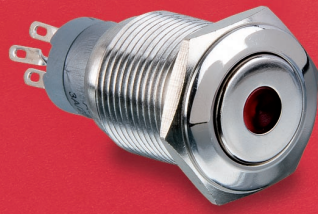
### Contact Layout



Specification	MP0045/1D1/Colour/Voltage	MP0045/1D2/Colour/Voltage
Terminations:	Solder Tags	Solder Tags
Illumination:	Dot	Ring
Switching:	D.P.C.O. Momentary Action	D.P.C.O. Momentary Action
Max. Switch Rating:	3A, 250V a.c.	3A, 250V a.c.
LEDs		
Colours	Red      Green      Amber      Blue	Red      Green      Amber      Blue
Part No.	/RD      /GN      /AM      /BL	/RD      /GN      /AM      /BL
Voltage	12V d.c.    220V d.c.	12V d.c.    220V d.c.
Part No.	/012      /220	/012      /220
Contact Resistance:	50mΩ max. @ 1A, 2V d.c.	50mΩ max. @ 1A, 2V d.c.
Insulation Resistance:	>10 <sup>3</sup> MΩ @ 500V a.c.	>10 <sup>3</sup> MΩ @ 500V a.c.
Dielectric Strength:	>2.0kV a.c.	>2.0kV a.c.
Operating Temp. Range:	-30°C to +55°C	-30°C to +55°C
Operations		
Mechanical:	200,000 (min)	200,000 (min)
Electrical:	30,000 (min)	30,000 (min)
Rear Nut Fixing Torque:	12Nm	12Nm
Materials		
Mouldings:	Nylon	Nylon
Tags:	Brass, Silver Plated	Brass, Silver Plated
Switch Body & Button:	Stainless Steel (Polished)	Stainless Steel (Polished)
O ring:	Nitrile	Nitrile
Variants	Prominent Button, details on request	Prominent Button, details on request
RoHS	Compliant	Compliant

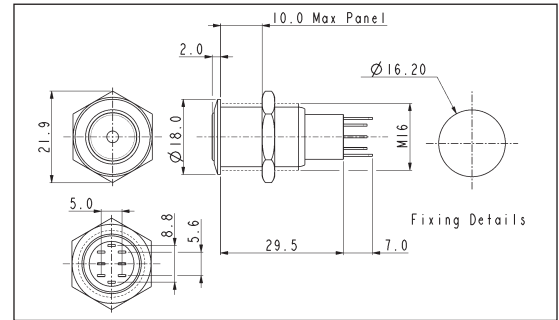
**Stainless Steel Illuminated Latching**

**FRONT PANEL MOUNTING**



**MP0045/1E1**

- Dot Illuminated
- 18mm bezel diameter
- D.P.C.O.
- 3A, 250V ac
- Red, Green, Amber or Blue Illumination
- Separate LED Terminals

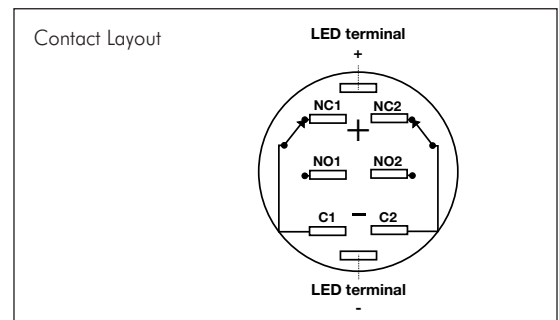
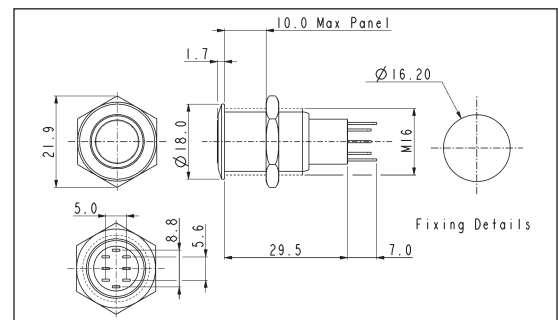


**FRONT PANEL MOUNTING**



**MP0045/1E2**

- Ring Illuminated
- 18mm bezel diameter
- D.P.C.O.
- 3A, 250V ac
- Red, Green, Amber or Blue Illumination
- Separate LED Terminals



Specification	MP0045/1E1/Colour/Voltage	MP0045/1E2/Colour/Voltage
Terminations:	Solder Tags	Solder Tags
Illumination:	Dot	Ring
Switching:	D.P.C.O. Latching Action	D.P.C.O. Latching Action
Max. Switch Rating:	3A, 250V a.c.	3A, 250V a.c.
LEDs		
Colours	Red /RD    Green /GN    Amber /AM    Blue /BL	Red /RD    Green /GN    Amber /AM    Blue /BL
Part No.		
Voltage	12V d.c.    220V d.c.	12V d.c.    220V d.c.
Part No.	/012    /220	/012    /220
Contact Resistance:	50mΩ max. @ 1A, 2V d.c.	50mΩ max. @ 1A, 2V d.c.
Insulation Resistance:	>10 <sup>3</sup> MΩ @ 500V a.c.	>10 <sup>3</sup> MΩ @ 500V a.c.
Dielectric Strength:	>2.0kV a.c.	>2.0kV a.c.
Operating Temp. Range:	-30°C to +55°C	-30°C to +55°C
Operations		
Mechanical:	200,000 (min)	200,000 (min)
Electrical:	30,000 (min)	30,000 (min)
Rear Nut Fixing Torque:	12Nm	12Nm
Materials		
Mouldings:	Nylon	Nylon
Tags:	Brass, Silver Plated	Brass, Silver Plated
Switch Body & Button:	Stainless Steel (Polished)	Stainless Steel (Polished)
O ring:	Nitrile	Nitrile
Variants	Prominent Button, details on request	Prominent Button, details on request
RoHS	Compliant	Compliant





Компания «ЭлектроПласт» предлагает заключение долгосрочных отношений при поставках импортных электронных компонентов на взаимовыгодных условиях!

Наши преимущества:

- Оперативные поставки широкого спектра электронных компонентов отечественного и импортного производства напрямую от производителей и с крупнейших мировых складов;
- Поставка более 17-ти миллионов наименований электронных компонентов;
- Поставка сложных, дефицитных, либо снятых с производства позиций;
- Оперативные сроки поставки под заказ (от 5 рабочих дней);
- Экспресс доставка в любую точку России;
- Техническая поддержка проекта, помощь в подборе аналогов, поставка прототипов;
- Система менеджмента качества сертифицирована по Международному стандарту ISO 9001;
- Лицензия ФСБ на осуществление работ с использованием сведений, составляющих государственную тайну;
- Поставка специализированных компонентов (Xilinx, Altera, Analog Devices, Intersil, Interpoint, Microsemi, Aeroflex, Peregrine, Syfer, Eurofarad, Texas Instrument, Miteq, Cobham, E2V, MA-COM, Hittite, Mini-Circuits, General Dynamics и др.);

Помимо этого, одним из направлений компании «ЭлектроПласт» является направление «Источники питания». Мы предлагаем Вам помощь Конструкторского отдела:

- Подбор оптимального решения, техническое обоснование при выборе компонента;
- Подбор аналогов;
- Консультации по применению компонента;
- Поставка образцов и прототипов;
- Техническая поддержка проекта;
- Защита от снятия компонента с производства.



#### Как с нами связаться

**Телефон:** 8 (812) 309 58 32 (многоканальный)

**Факс:** 8 (812) 320-02-42

**Электронная почта:** [org@eplast1.ru](mailto:org@eplast1.ru)

**Адрес:** 198099, г. Санкт-Петербург, ул. Калинина, дом 2, корпус 4, литера А.