

REVISIONS					
P	LTR	DESCRIPTION	DATE	DMN	APVD
S		REVISED PER ECO-15-015185	07NOV2016	SY	SY

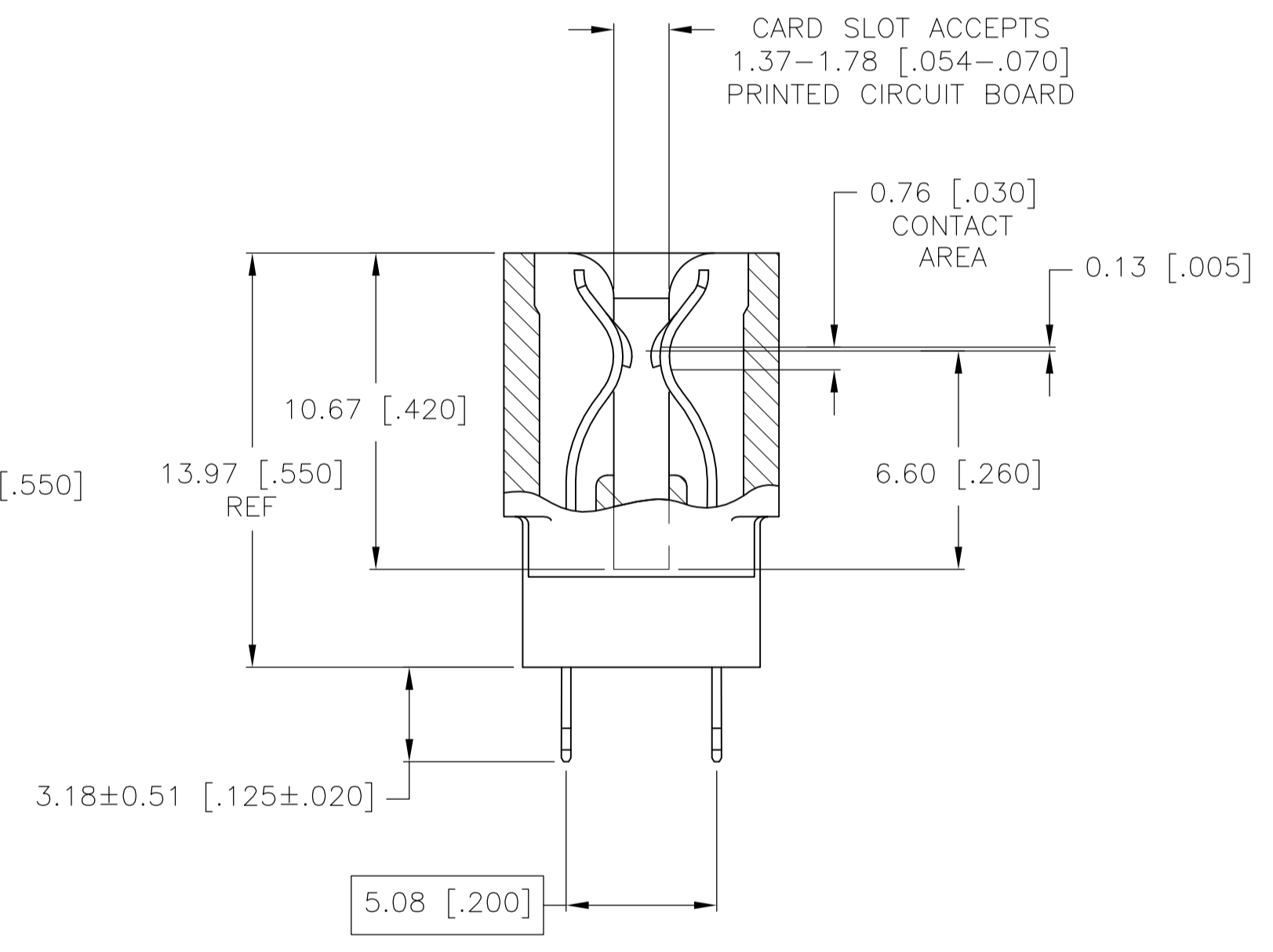
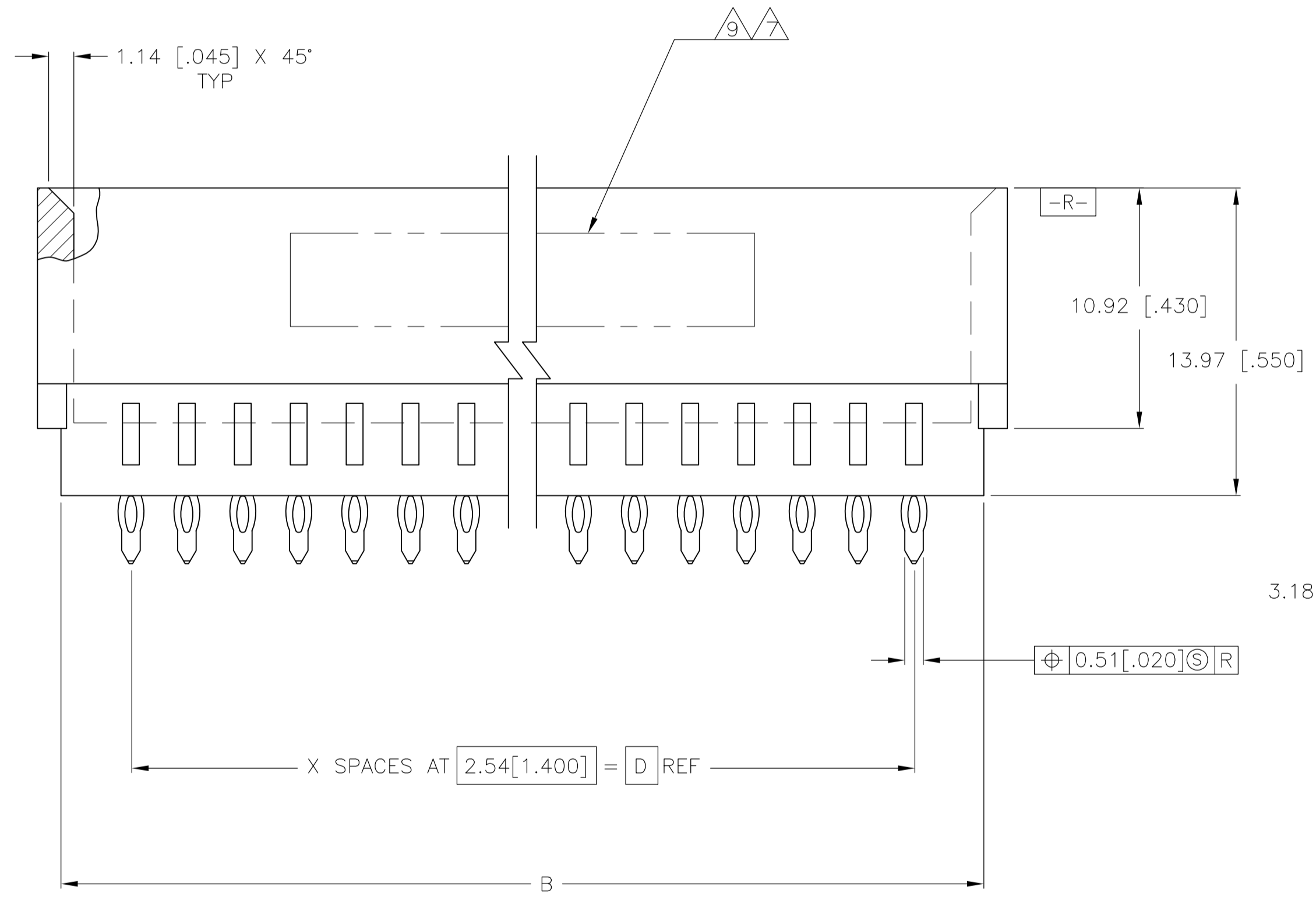
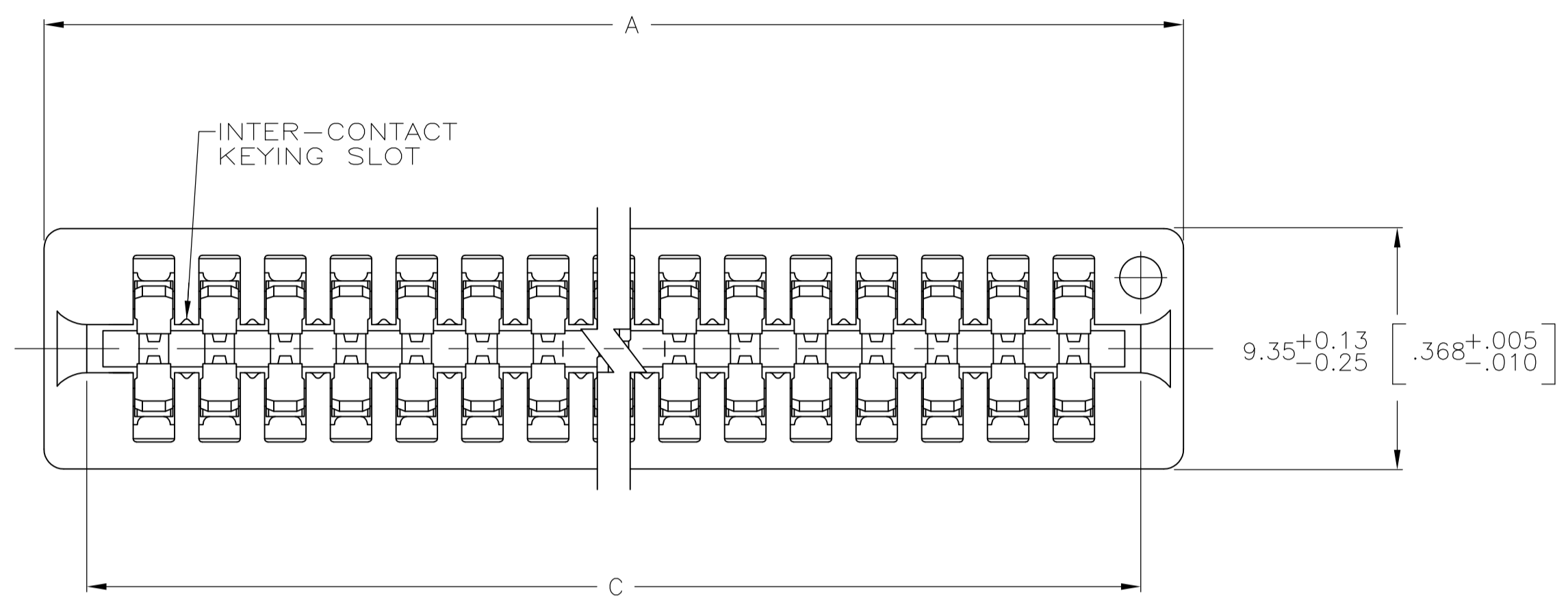
149.86	[5.900]	155.04	[6.104]	156.21	[6.150]	158.34	[6.234]	59	60	<del>6-5147490-0</del>	OBSOLETE
147.32	[5.800]	152.50	[6.004]	153.67	[6.050]	155.80	[6.134]	58	59	<del>5-5147490-9</del>	
144.78	[5.700]	149.96	[5.904]	151.13	[5.950]	153.26	[6.034]	57	58	<del>5-5147490-8</del>	
142.24	[5.600]	147.42	[5.804]	148.59	[5.850]	150.72	[5.934]	56	57	<del>5-5147490-7</del>	
139.70	[5.500]	144.88	[5.704]	146.05	[5.750]	148.18	[5.834]	55	56	<del>5-5147490-6</del>	
137.16	[5.400]	142.34	[5.604]	143.51	[5.650]	145.64	[5.734]	54	55	<del>5-5147490-5</del>	
134.62	[5.300]	139.80	[5.504]	140.97	[5.550]	143.10	[5.634]	53	54	<del>5-5147490-4</del>	
132.08	[5.200]	137.26	[5.404]	138.43	[5.450]	140.56	[5.534]	52	53	<del>5-5147490-3</del>	
129.54	[5.100]	134.72	[5.304]	135.89	[5.350]	138.02	[5.434]	51	52	<del>5-5147490-2</del>	
127.00	[5.000]	132.18	[5.204]	133.35	[5.250]	135.48	[5.334]	50	51	<del>5-5147490-1</del>	
124.46	[4.900]	129.64	[5.104]	130.81	[5.150]	132.94	[5.234]	49	50	<del>5-5147490-0</del>	
121.92	[4.800]	127.10	[5.004]	128.27	[5.050]	130.40	[5.134]	48	49	<del>4-5147490-9</del>	
119.38	[4.700]	124.56	[4.904]	125.73	[4.950]	127.86	[5.034]	47	48	<del>4-5147490-8</del>	
116.84	[4.600]	122.02	[4.804]	123.19	[4.850]	125.32	[4.934]	46	47	<del>4-5147490-7</del>	
114.30	[4.500]	119.48	[4.704]	120.65	[4.750]	122.78	[4.834]	45	46	<del>4-5147490-6</del>	
111.76	[4.400]	116.94	[4.604]	118.11	[4.650]	120.24	[4.734]	44	45	<del>4-5147490-5</del>	
109.22	[4.300]	114.40	[4.504]	115.57	[4.550]	117.70	[4.634]	43	44	<del>4-5147490-4</del>	
106.68	[4.200]	111.86	[4.404]	113.03	[4.450]	115.16	[4.534]	42	43	<del>4-5147490-3</del>	
104.14	[4.100]	109.32	[4.304]	110.49	[4.350]	112.62	[4.434]	41	42	<del>4-5147490-2</del>	
101.60	[4.000]	106.78	[4.204]	107.95	[4.250]	110.08	[4.334]	40	41	<del>4-5147490-1</del>	
99.06	[3.900]	104.24	[4.104]	105.41	[4.150]	107.54	[4.234]	39	40	<del>4-5147490-0</del>	
96.52	[3.800]	101.70	[4.004]	102.87	[4.050]	105.00	[4.134]	38	39	<del>3-5147490-9</del>	
93.98	[3.700]	99.16	[3.904]	100.33	[3.950]	102.46	[4.034]	37	38	<del>3-5147490-8</del>	
91.44	[3.600]	96.62	[3.804]	97.79	[3.850]	99.92	[3.934]	36	37	<del>3-5147490-7</del>	
88.90	[3.500]	94.08	[3.704]	95.25	[3.750]	97.38	[3.834]	35	36	<del>3-5147490-6</del>	
86.36	[3.400]	91.54	[3.604]	92.71	[3.650]	94.84	[3.734]	34	35	<del>3-5147490-5</del>	
83.82	[3.300]	89.00	[3.504]	90.17	[3.550]	92.30	[3.634]	33	34	<del>3-5147490-4</del>	
81.28	[3.200]	86.46	[3.404]	87.63	[3.450]	89.76	[3.534]	32	33	<del>3-5147490-3</del>	
78.74	[3.100]	83.92	[3.304]	85.09	[3.350]	87.22	[3.434]	31	32	<del>3-5147490-2</del>	
76.20	[3.000]	81.38	[3.204]	82.55	[3.250]	84.68	[3.334]	30	31	<del>3-5147490-1</del>	
73.66	[2.900]	78.84	[3.104]	80.01	[3.150]	82.14	[3.234]	29	30	<del>3-5147490-0</del>	
71.12	[2.800]	76.30	[3.004]	77.47	[3.050]	79.60	[3.134]	28	29	<del>2-5147490-9</del>	
68.58	[2.700]	73.76	[2.904]	74.93	[2.950]	77.06	[3.034]	27	28	<del>2-5147490-8</del>	
66.04	[2.600]	71.22	[2.804]	72.39	[2.850]	74.52	[2.934]	26	27	<del>2-5147490-7</del>	
63.50	[2.500]	68.68	[2.704]	69.85	[2.750]	71.98	[2.834]	25	26	<del>2-5147490-6</del>	
60.96	[2.400]	66.14	[2.604]	67.31	[2.650]	69.44	[2.734]	24	25	<del>2-5147490-5</del>	
58.42	[2.300]	63.60	[2.504]	64.77	[2.550]	66.90	[2.634]	23	24	<del>2-5147490-4</del>	
55.88	[2.200]	61.06	[2.404]	62.23	[2.450]	64.36	[2.534]	22	23	<del>2-5147490-3</del>	
53.34	[2.100]	58.52	[2.304]	59.69	[2.350]	61.82	[2.434]	21	22	<del>2-5147490-2</del>	
50.80	[2.000]	55.98	[2.204]	57.15	[2.250]	59.28	[2.334]	20	21	<del>2-5147490-1</del>	
48.26	[1.900]	53.44	[2.104]	54.61	[2.150]	56.74	[2.234]	19	20	<del>2-5147490-0</del>	
45.72	[1.800]	50.90	[2.004]	52.07	[2.050]	54.20	[2.134]	18	19	<del>1-5147490-9</del>	
43.18	[1.700]	48.36	[1.904]	49.53	[1.950]	51.66	[2.034]	17	18	<del>1-5147490-8</del>	
40.64	[1.600]	45.82	[1.804]	46.99	[1.850]	49.12	[1.934]	16	17	<del>1-5147490-7</del>	
38.10	[1.500]	43.28	[1.704]	44.45	[1.750]	46.58	[1.834]	15	16	<del>1-5147490-6</del>	
35.56	[1.400]	40.74	[1.604]	41.91	[1.650]	44.04	[1.734]	14	15	<del>1-5147490-5</del>	
33.02	[1.300]	38.20	[1.504]	39.37	[1.550]	41.50	[1.634]	13	14	<del>1-5147490-4</del>	
30.48	[1.200]	35.66	[1.404]	36.83	[1.450]	38.96	[1.534]	12	13	<del>1-5147490-3</del>	
27.94	[1.100]	33.12	[1.304]	34.29	[1.350]	36.42	[1.434]	11	12	<del>1-5147490-2</del>	
25.40	[1.000]	30.58	[1.204]	31.75	[1.250]	33.88	[1.334]	10	11	<del>1-5147490-1</del>	
22.86	[.900]	28.04	[1.104]	29.21	[1.150]	31.34	[1.234]	9	10	<del>1-5147490-0</del>	

- 1 HOUSING: GLASS FILLED POLYESTER; COLOR: BLACK.
- 2 CONTACT: PHOSPHOR BRONZE.
- 3 NICKEL PLATE: 0.00127 [.000050] MIN - ALL OVER.
- 4 MATTE TIN PLATE: 0.00254 [.000100] MIN - SOLDER POSTS.
- 5 GOLD PLATE: 0.00076 [.000030] MIN - CONTACT AREA.
- 6 NICKEL PLATE PER MIL-G-45204.  
GOLD PLATE PER QQ-N-290.
- 7 TE PART NUMBER, DATE CODE AND CSA LOGO MAY BE MARKED IN APPROXIMATE AREA SHOWN, EITHER SIDE.
- 8 RECOMMENDED PCB FINISHED HOLE DIA: 1.02±0.08[.040±.003].
- 9 COUNTRY OF ORIGIN MAY BE MARKED IN APPROXIMATE AREA SHOWN, EITHER SIDE.
- 10 OBSOLETE PARTS: OBSOLETE CIS STREAMLINING PER D.RENAUD/D.SINISI

D	C	B	A	X	POSN	PART NO
---	---	---	---	---	------	---------

THIS DRAWING IS A CONTROLLED DOCUMENT.		DIN R BROWN 14MAR05	 TE Connectivity
DIMENSIONS: mm [INCHES]		CHK M MILLER 14MAR05	
TOLERANCES UNLESS OTHERWISE SPECIFIED:		APVD M MILLER 14MAR05	NAME
0 PLC ± - 1 PLC ± - 2 PLC ± .13 [.005] 3 PLC ± - 4 PLC ± - ANGLES ± -		PRODUCT SPEC	CONNECTOR ASSEMBLY, NEXT GENERATION PACE, 2.54 [.100] CL
MATERIAL	FINISH	WEIGHT 0	RESTRICTED TO
CUSTOMER DRAWING		SIZE A1	SCALE 1:1
		DRAWING NO 00779	SHEET 1 OF 2
		DRAWING NO 5147490	REV S

REVISIONS				
P	LTR	DESCRIPTION	DATE	APP'D
-	-	SEE SHEET 1	-	-



THIS DRAWING IS A CONTROLLED DOCUMENT.		DIN R BROWN 14MAR05	
DIMENSIONS: mm [INCHES]		CHK M MILLER 14MAR05	
TOLERANCES UNLESS OTHERWISE SPECIFIED:		APP'D M MILLER 14MAR05	NAME
0. PLC ± -	1. PLC ± -	PRODUCT SPEC	CONNECTOR ASSEMBLY, NEXT GENERATION PACE, 2.54 [100] CL
2. PLC ± .13 [.005]	3. PLC ± -	APPLICATION SPEC	SIZE CAGE CODE DRAWING NO
4. PLC ± -	ANGLES ± -	RESTRICTED TO	A1 00779 C=5147490
MATERIAL	FINISH	WEIGHT	CUSTOMER DRAWING SCALE 1:1 SHEET 2 OF 2 REV S



Компания «ЭлектроПласт» предлагает заключение долгосрочных отношений при поставках импортных электронных компонентов на взаимовыгодных условиях!

Наши преимущества:

- Оперативные поставки широкого спектра электронных компонентов отечественного и импортного производства напрямую от производителей и с крупнейших мировых складов;
- Поставка более 17-ти миллионов наименований электронных компонентов;
- Поставка сложных, дефицитных, либо снятых с производства позиций;
- Оперативные сроки поставки под заказ (от 5 рабочих дней);
- Экспресс доставка в любую точку России;
- Техническая поддержка проекта, помощь в подборе аналогов, поставка прототипов;
- Система менеджмента качества сертифицирована по Международному стандарту ISO 9001;
- Лицензия ФСБ на осуществление работ с использованием сведений, составляющих государственную тайну;
- Поставка специализированных компонентов (Xilinx, Altera, Analog Devices, Intersil, Interpoint, Microsemi, Aeroflex, Peregrine, Syfer, Eurofarad, Texas Instrument, Miteq, Cobham, E2V, MA-COM, Hittite, Mini-Circuits, General Dynamics и др.);

Помимо этого, одним из направлений компании «ЭлектроПласт» является направление «Источники питания». Мы предлагаем Вам помощь Конструкторского отдела:

- Подбор оптимального решения, техническое обоснование при выборе компонента;
- Подбор аналогов;
- Консультации по применению компонента;
- Поставка образцов и прототипов;
- Техническая поддержка проекта;
- Защита от снятия компонента с производства.



#### Как с нами связаться

**Телефон:** 8 (812) 309 58 32 (многоканальный)

**Факс:** 8 (812) 320-02-42

**Электронная почта:** [org@eplast1.ru](mailto:org@eplast1.ru)

**Адрес:** 198099, г. Санкт-Петербург, ул. Калинина, дом 2, корпус 4, литера А.