

PLEASE CHECK WWW.MOLEX.COM FOR LATEST PART INFORMATION

Part Number: [5010170508](#)
Status: **Active**
Description: 0.40mm (.016") Pitch Board-to-Board Receptacle, SMT, Dual Row, Vertical, 4.00mm (.157") Stacking Height, 50 Circuits

Documents:

[3D Model](#) [Product Specification PS-54684-008 \(PDF\)](#)
[Drawing \(PDF\)](#) [RoHS Certificate of Compliance \(PDF\)](#)

General

Product Family PCB Headers
 Series [501017](#)
 Application Board-to-Board
 Product Name N/A

Physical

Breakaway No
 Circuits (Loaded) 50
 Color - Resin Brown
 Durability (mating cycles max) 30
 First Mate / Last Break No
 Glow-Wire Compliant No
 Guide to Mating Part No
 Keying to Mating Part None
 Lock to Mating Part None
 Mated Height (in) 0.157 In
 Mated Height (mm) 4.00 mm
 Material - Metal Phosphor Bronze
 Material - Plating Mating Gold
 Material - Plating Termination Gold
 Number of Rows 2
 Orientation Vertical
 PCB Locator No
 PCB Retention None
 Packaging Type Embossed Tape on Reel
 Pitch - Mating Interface (in) 0.016 In
 Pitch - Mating Interface (mm) 0.40 mm
 Pitch - Term. Interface (in) 0.016 In
 Pitch - Term. Interface (mm) 0.40 mm
 Polarized to Mating Part No
 Polarized to PCB No
 Stackable No
 Temperature Range - Operating -25°C to +105°C
 Termination Interface: Style Surface Mount

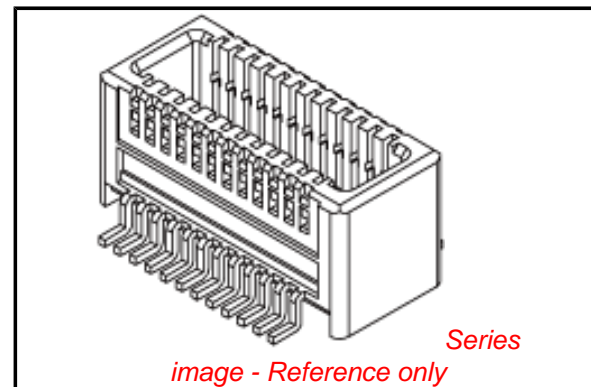
Electrical

Current - Maximum per Contact 0.3A
 Voltage - Maximum 30V AC (RMS)/DC

Material Info

Reference - Drawing Numbers

Product Specification PS-54684-008, RPS-54684-020
 Sales Drawing SD-501017-001, SD-501017-002



EU RoHS

ELV and RoHS Compliant
REACH SVHC
 Not Reviewed
Halogen-Free Status
 Not Reviewed

China RoHS



Need more information on product environmental compliance?

Email productcompliance@molex.com
 For a multiple part number RoHS Certificate of Compliance, [click here](#)

Please visit the [Contact Us](#) section for any non-product compliance questions.

Search Parts in this Series

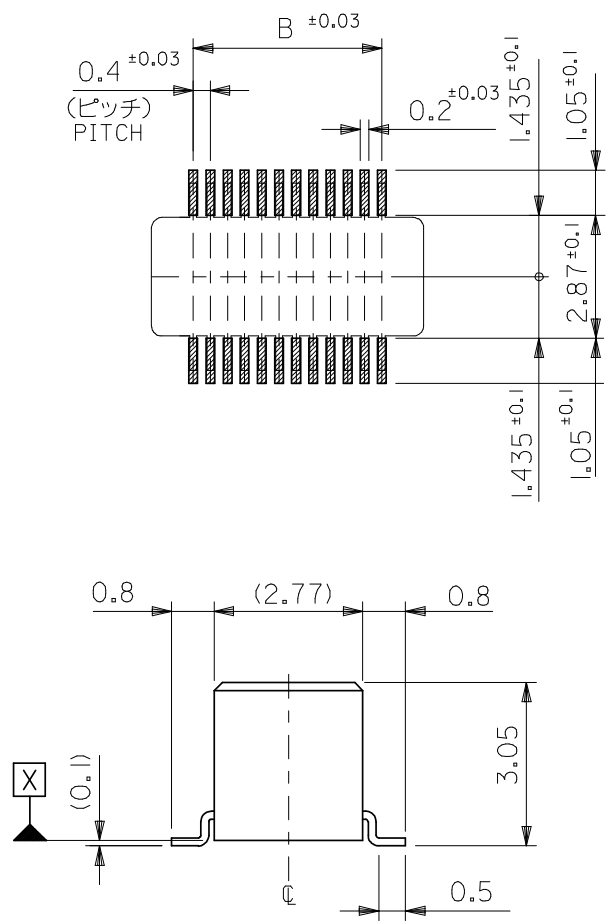
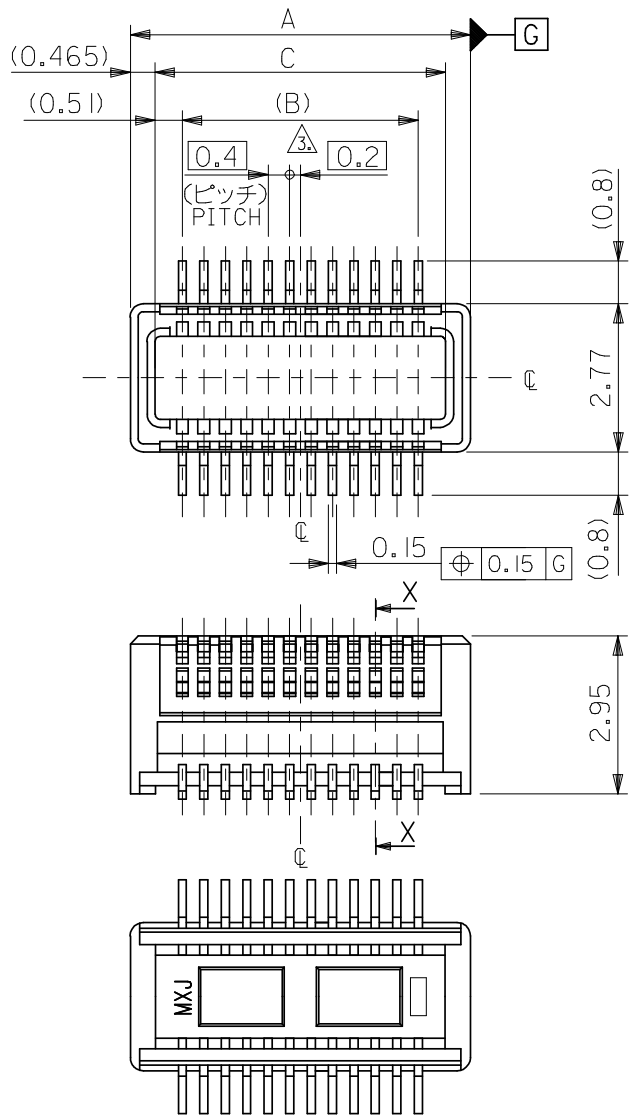
[501017Series](#)

Mates With

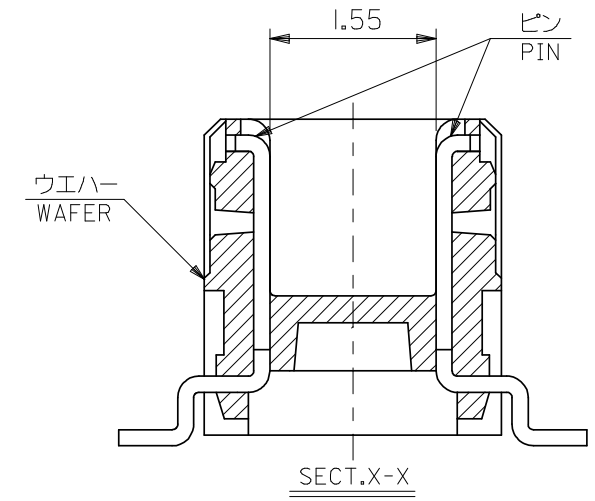
[54684 PCB Receptacle](#)

This document was generated on 05/18/2010

PLEASE CHECK WWW.MOLEX.COM FOR LATEST PART INFORMATION



参考基板レイアウト (マウント面)
 RECOMMENDED P.C.BOARD
 PATTERN DIMENSION. (REF.)
 (MOUNTING AREA)



20.64	19.6	21.55	501017-1007	100
16.63	15.6	17.55	501017-0807	80
12.64	11.6	13.55	501017-0607	60
10.64	9.6	11.55	501017-0507	50
5.42	4.4	6.35	501017-0247	24
C	B	A	MATERIAL NO.	CIRCUIT

MODEL NO. 501017-****7

MATERIAL
 材料
 注記参照
 SEE NOTES

REVISED
 EC NO: J2008-2284
 DRWN: YMAEDA 2007/12/04
 CHKD: NUKITA 2007/12/06
 APPR: NUKITA 2007/12/06

GENERAL TOLERANCES
 (UNLESS SPECIFIED)

10 UNDER	±0.2
10 OVER 30 UNDER	±0.25
30 OVER	±0.3
ANGULAR	±--- °

DRAFT WHERE APPLICABLE
 MUST REMAIN
 WITHIN DIMENSIONS

DIMENSION STYLE
 MM ONLY

DRAWN BY DATE
 Y. NUKANO 2004/06/05

CHECKED BY DATE
 T. HIRATA 2004/06/05

APPROVED BY DATE
 M. SASAO 2004/06/05

MATERIAL NO.
 SEE TABLE

SCALE

DESIGN UNITS
 METRIC

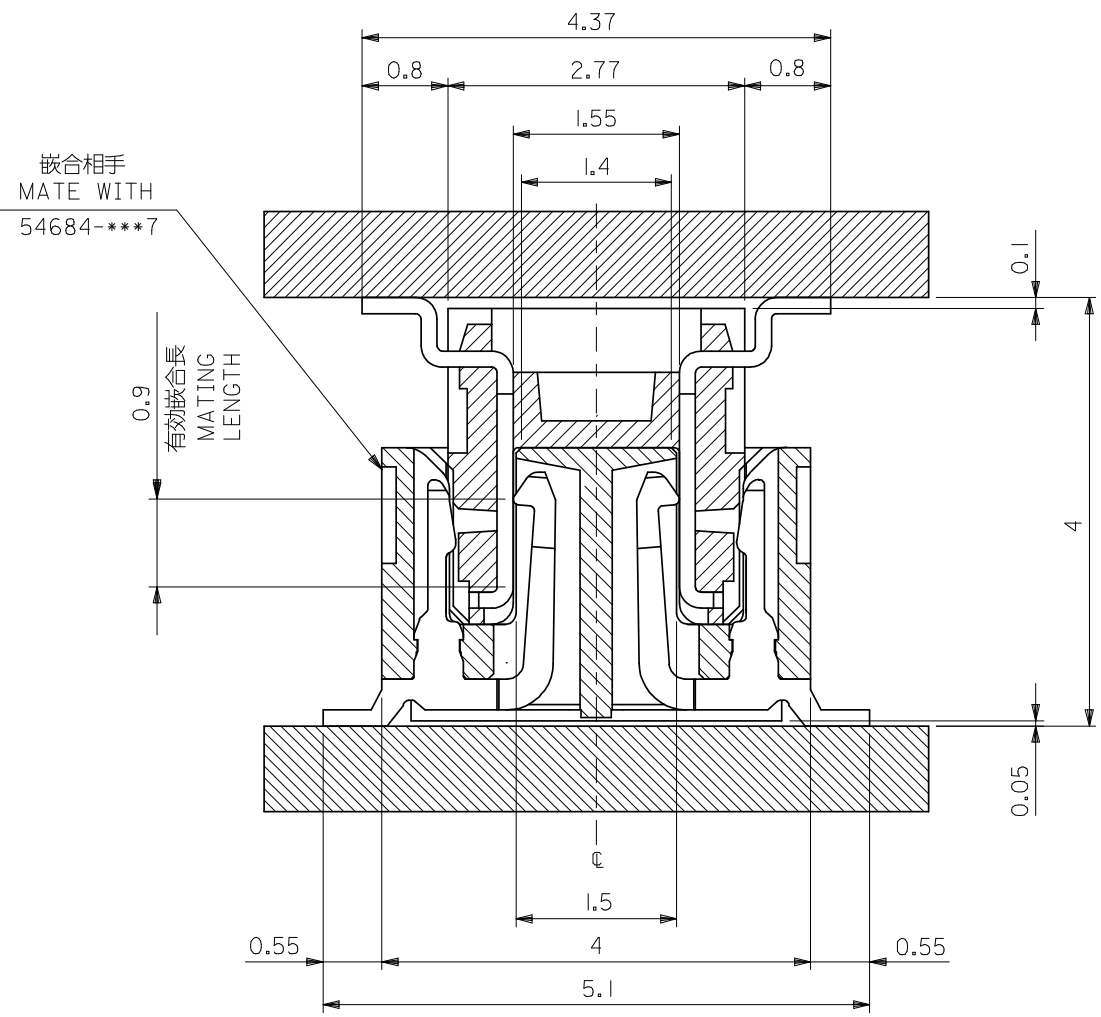
THIRD ANGLE
 PROJECTION

TITLE
 0.4MM B-TO-B CONN
 NO BOSS PLUG ASSY
 (HGT=4MM)

MOLEX INCORPORATED

DOCUMENT NO.
 SD-501017-001

SHEET NO.
 1 OF 2



嵌合相手
MATE WITH
54684-***7

有効嵌合長
MATING
LENGTH

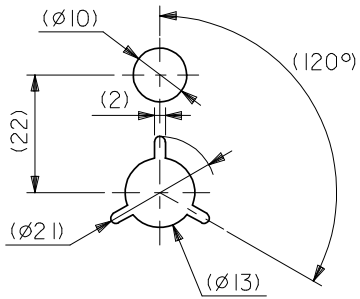
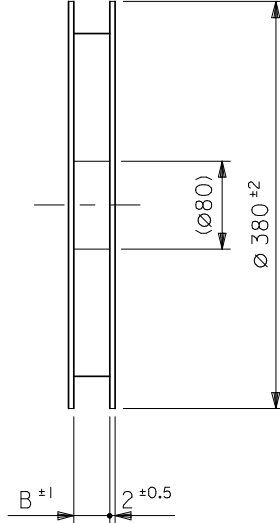
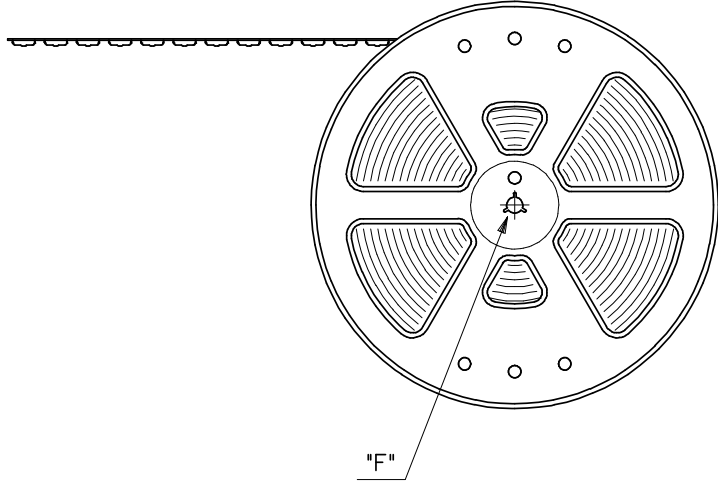
嵌合断面図 (参考)
MATED DRAWING (REF.)

注記 NOTES:

1. 使用材料 MATERIAL
 ウエハー:液晶ポリマー ガラス充填 UL94V-0 茶色
 WAFER:LIQUID CRYSTAL POLYMER
 GLASS FILLED UL94V-0
 COLOR BROWN
 ピン:リン青銅 (t=0.15)
 PIN:PHOSPHOR BRONZE(t=0.15)
2. メッキ仕様 PLATING
 金メッキ 0.25 マイクロメートル以上 (コンタクト部)
 GOLD 0.25MICROMETER MINIMUM(CONTACT AREA)
 金メッキ 0.4 マイクロメートル以下 (テール部)
 GOLD 0.4MICROMETER MAXIMUM(TAIL AREA)
 下地メッキ:ニッケルメッキ1.5 マイクロメートル以上
 UNDER PLATING : NICKEL 1.5MICROMETER MINIMUM
3. (全極数/2) = 偶数の場合に適用。
 APPLY FOR (CIRCUIT/2)=EVEN.
4. 嵌合相手:54684 シリーズ
 MATE WITH : 54684 SERIES.
5. テール平坦度は、0.10 MAX.
 TAIL COPLANARITY TO BE 0.10 MAX.
 又、テール半田付け面の位置はウエハーの底面 に対し
 上方向に0、下方向に0.15MAX.とする。
 MISALIGNMENT OF SOLDER TAILS FROM
 : UPPER DIRECTION 0
 : LOWER DIRECTION 0.15 MAX.

MATERIAL 材料	SHEET 1 OF 2 参照 REFER TO SHEET 1 OF 2	REVISED EC NO: J2008-2284 DRWN:YMAEDA 2007/12/04 CHKD:NUKITA 2007/12/06 APPR:NUKITA 2007/12/06	DESCRIPTION	GENERAL TOLERANCES (UNLESS SPECIFIED)		DIMENSION STYLE MM ONLY		SCALE ---	DESIGN UNITS METRIC	THIRD ANGLE PROJECTION	
				10 UNDER	±0.2	DRAWN BY Y. NUKANO	DATE 2004/06/05	TITLE 0.4MM B-TO-B CONN NO BOSS PLUG ASSY (HGT=4MM)			
				10 OVER 30 UNDER	±0.25	CHECKED BY T. HIRATA	DATE 2004/06/05	MOLEX INCORPORATED			
				30 OVER	±0.3	APPROVED BY M. SASAO	DATE 2004/06/05	DOCUMENT NO. SD-501017-001		SHEET NO. 2 OF 2	
				ANGULAR	±--- °	MATERIAL NO. SEE TABLE					
				DRAFT WHERE APPLICABLE MUST REMAIN WITHIN DIMENSIONS		THIS DRAWING CONTAINS INFORMATION THAT IS PROPRIETARY TO MOLEX INCORPORATED AND SHOULD NOT BE USED WITHOUT WRITTEN PERMISSION					

引き出し方向
PULL OUT
DIRECTION

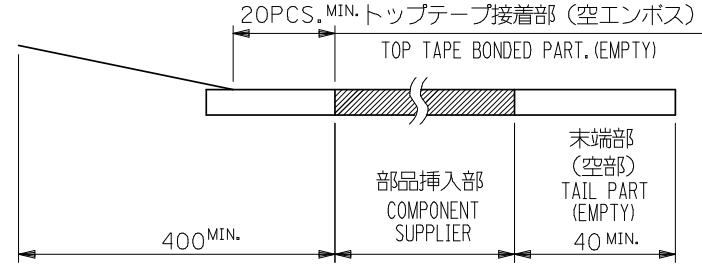


DETAIL "F"

NOTES

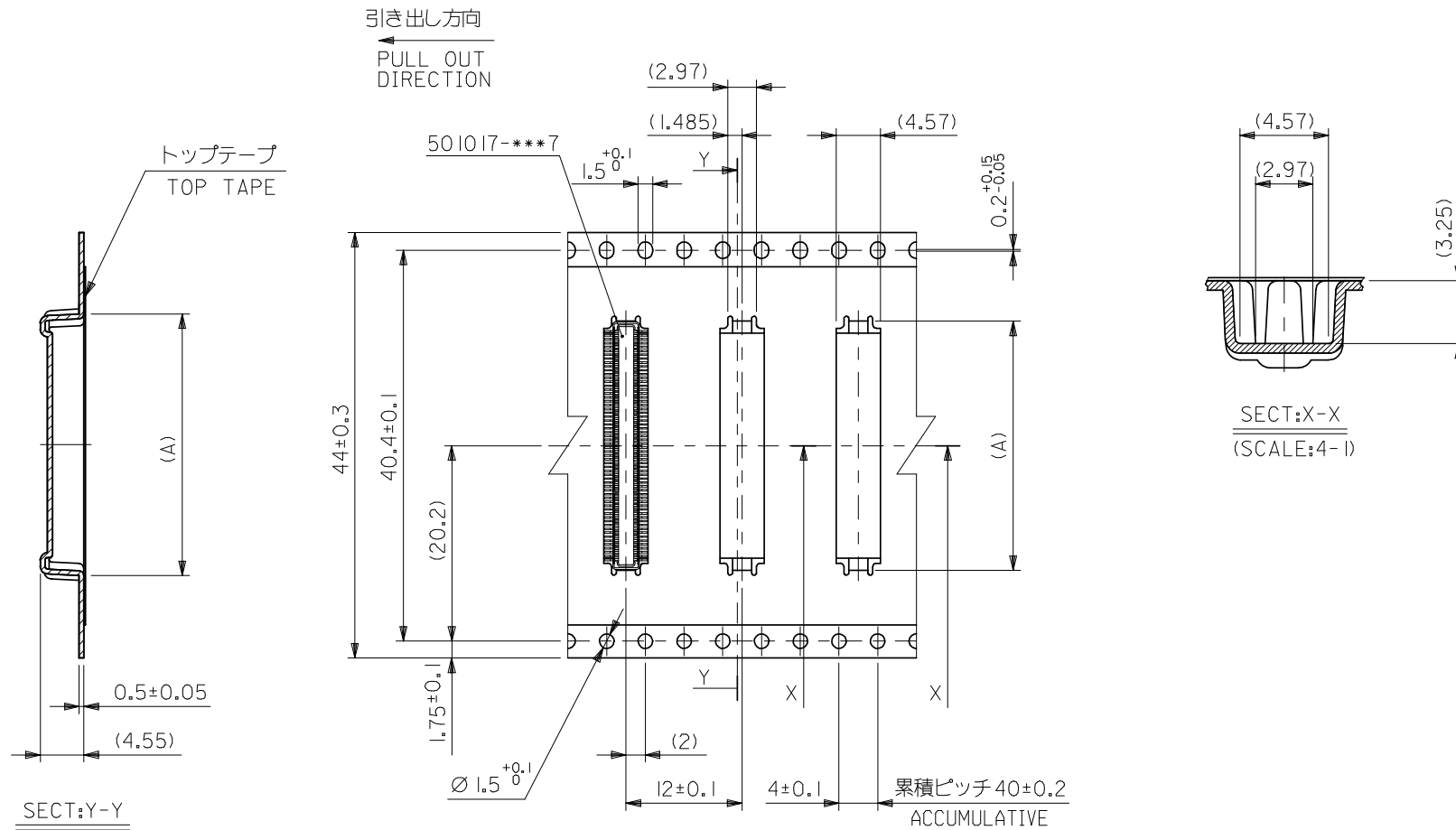
- 製品詳細寸法については図面 SD-501017-001 を参照下さい。
RE DETAILED DIMENSION, SEE SD-501017-001
- 梱包数量：1500個/リール
NUMBER OF CONNECTORS：1500PCS/REEL
- リードテープ長さ LEAD TAPE LENGTH
20PCS. MIN. トップテープ接着部 (空エンボス)
TOP TAPE BONDED PART. (EMPTY)
部品挿入部
COMPONENT
SUPPLIER
400 MIN.
末端部 (空部)
TAIL PART
(EMPTY)
40 MIN.
- トップテープの剥離強度：「JES-59」参照
PEELING OFF FORCE OF TOPTAPE：SEE「JES-59」
- シール位置はトップテープ両端から0.5mm以上内側にて行い、
且つエンボスポケット面にかからない位置とする。
SEAL POSITION IS 0.5mm OR MORE INNER SIDE FROM TOP TAPE BOTH ENDS
AND WHICH IS NOT TAKE ON THE EMBOSSED POKET SIDE.
- 材料 (MATERIAL)
キャリアテープ (CARRIER TAPE)：ポリプロピレン (POLYPROPYLENE)
トップテープ (TOPTAPE)：PET, PE, PEF
リール (REEL)：ポリスチレン (PS) <リサイクル材を含む>
POLYSTYRENE (PS) <RECYCLE MATERIAL CONTAINED>

引き出し方向
PULL OUT
DIRECTION



MODEL NO. 501017-***8

REVISED EC NO: J2008-2284 DRWN: YMAEDA 2007/12/04 CHKD: NUKITA 2007/12/06 APPR: NUKITA 2007/12/06	DESCRIPTION	GENERAL TOLERANCES (UNLESS SPECIFIED)		DIMENSION STYLE MM ONLY		SCALE ---	DESIGN UNITS METRIC	THIRD ANGLE PROJECTION	
		10 UNDER	±0.2	DRAWN BY YNUKANOBU	DATE 2004/06/05	TITLE EMBOSSSED TAPE PACKAGE FOR 501017-***7			
		10 OVER 30 UNDER	±0.25	CHECKED BY THIRATA	DATE 2004/06/05				
		30 OVER	±0.3	APPROVED BY MSASAO	DATE 2004/06/05	MOLEX INCORPORATED			
		ANGULAR	±3 °	MATERIAL NO.	DOCUMENT NO.				
D	REV	DRAFT WHERE APPLICABLE MUST REMAIN WITHIN DIMENSIONS		SIZE A3	THIS DRAWING CONTAINS INFORMATION THAT IS PROPRIETARY TO MOLEX INCORPORATED AND SHOULD NOT BE USED WITHOUT WRITTEN PERMISSION				

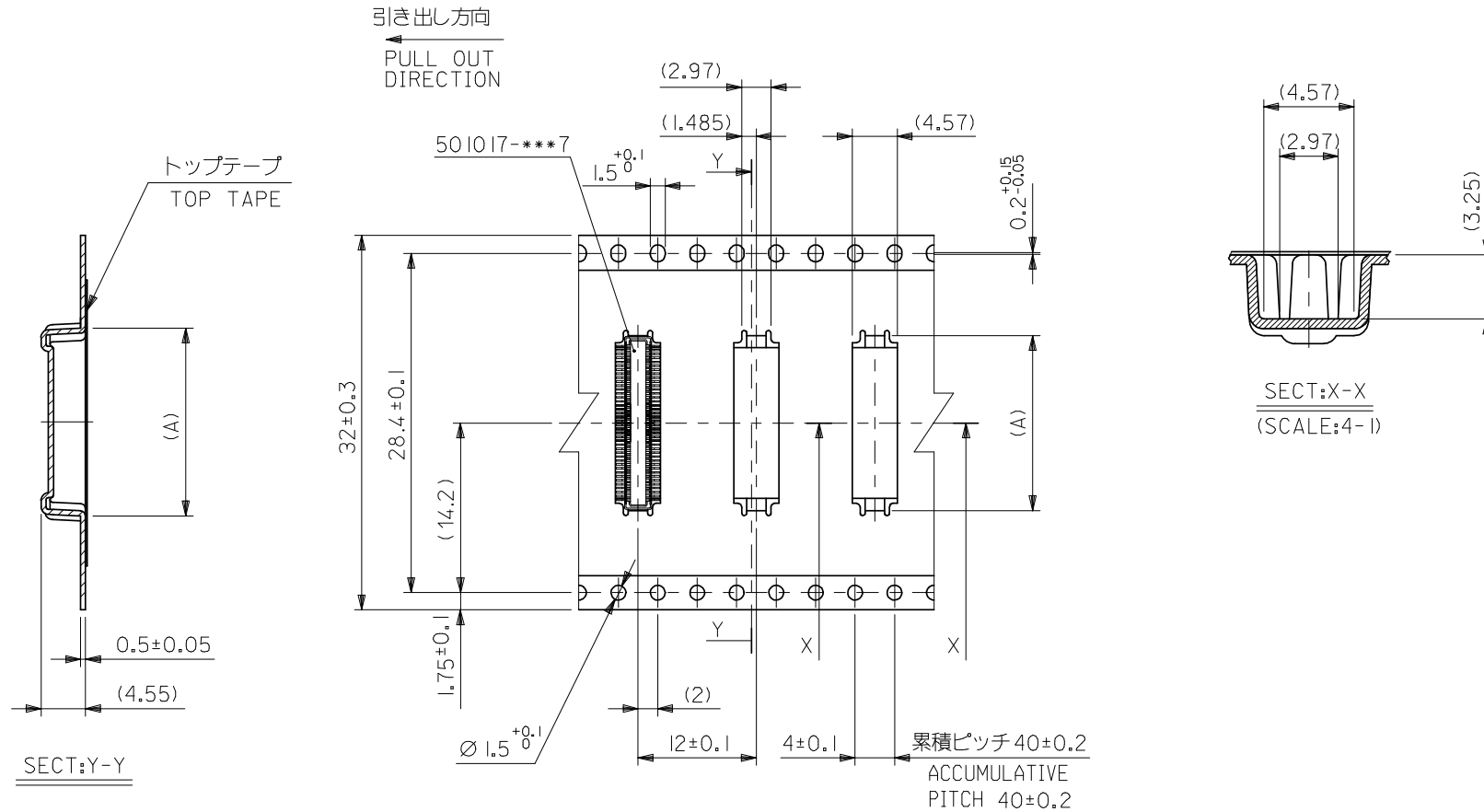


44mm幅キャリアテープ
44mm WIDTH CARRIER TAPE

累積ピッチ 40±0.2
ACCUMULATIVE PITCH 40±0.2

44	45.5	21.75	501017-1008	100
キャリアテープ幅 CARRIER TAPE WIDTH	B	(A)	MATERIAL NO.	極数 CKT.
MODEL NO.			501017-***8	

REVISED EC NO: J2008-2284 DRWN: YMAEDA 2007/12/04 CH'KD: NUKITA 2007/12/06 APPR: NUKITA 2007/12/06	GENERAL TOLERANCES (UNLESS SPECIFIED)		DIMENSION STYLE	SCALE	DESIGN UNITS	THIRD ANGLE PROJECTION
			MM ONLY	---	METRIC	
	10 UNDER	±0.2	DRAWN BY	DATE	TITLE	EMBOSSD TAPE PACKAGE FOR 501017-***7
	10 OVER 30 UNDER	±0.25	YNUKANOBU	2004/06/05		
	30 OVER	±0.3	CHECKED BY	DATE		
ANGULAR ±3 °		APPROVED BY	DATE	MOLEX INCORPORATED		
DRAFT WHERE APPLICABLE MUST REMAIN WITHIN DIMENSIONS		MSASAO	2004/06/05	MATERIAL NO.	DOCUMENT NO.	SHEET NO.
		SEE TABLE		SD-501017-002	2 OF 4	
		THIS DRAWING CONTAINS INFORMATION THAT IS PROPRIETARY TO MOLEX INCORPORATED AND SHOULD NOT BE USED WITHOUT WRITTEN PERMISSION				

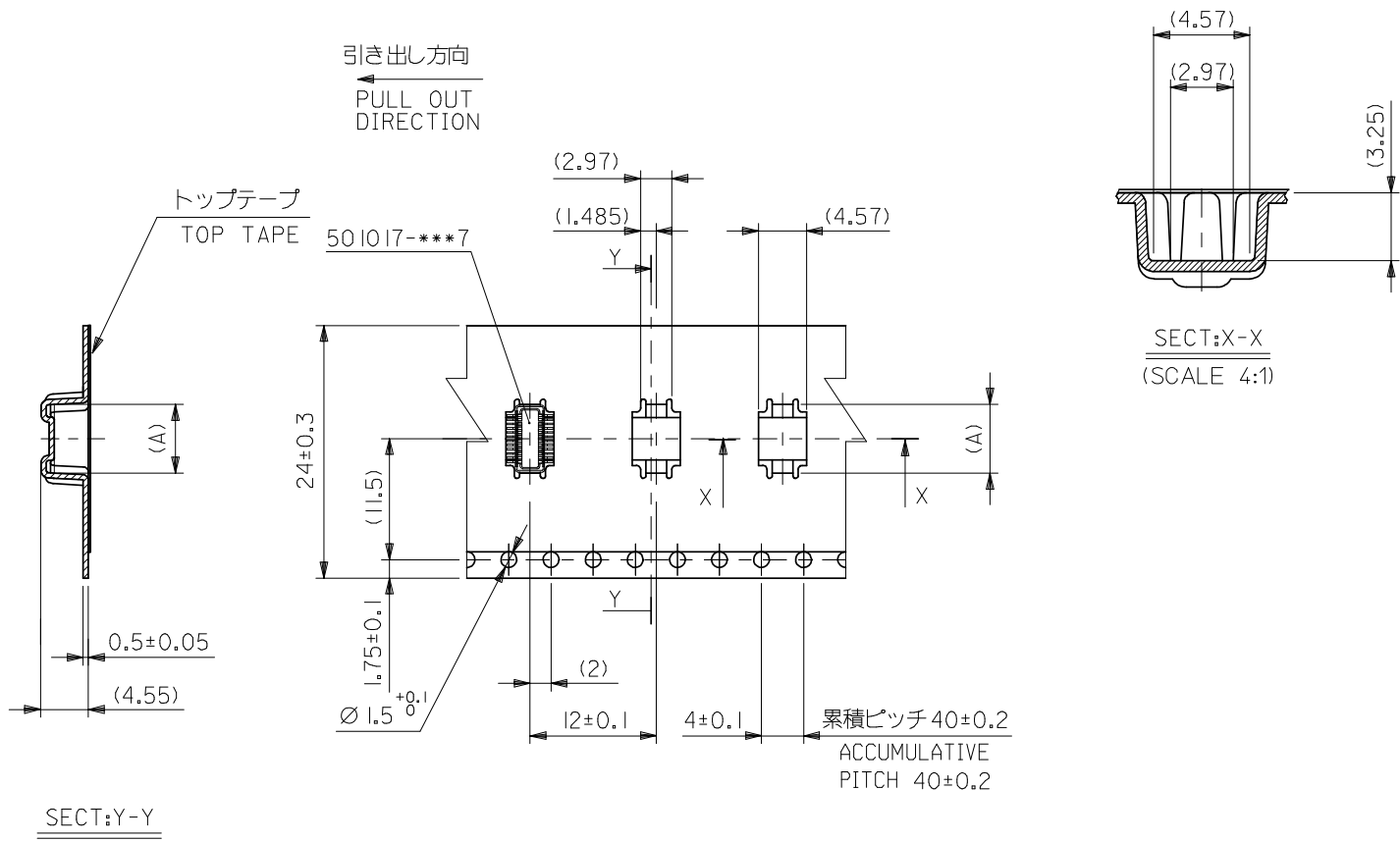


32 mm幅キャリアテープ
32 mm WIDTH CARRIER TAPE

32	33.5	17.75	501017-0808	80
		13.75	501017-0608	60
		11.75	501017-0508	50
キャリアテープ幅 CARRIER TAPE WIDTH	B	(A)	MATERIAL NO.	極数 CKT.

MODEL NO. 501017-***8

REVISED EC NO: J2008-2284 DRWN: YMAEDA 2007/12/04 CH'KD: NUKITA 2007/12/06 APPR: NUKITA 2007/12/06	GENERAL TOLERANCES (UNLESS SPECIFIED)		DIMENSION STYLE	SCALE	DESIGN UNITS	THIRD ANGLE PROJECTION	
			MM ONLY	---	METRIC		
	10 UNDER ±0.2		10 OVER 30 UNDER ±0.25	DRAWN BY DATE	TITLE		
	30 OVER ±0.3		ANGULAR ±3 °	CHECKED BY DATE	EMBOSSED TAPE PACKAGE FOR 501017-***7		
	DRAFT WHERE APPLICABLE MUST REMAIN WITHIN DIMENSIONS			APPROVED BY DATE	MOLEX INCORPORATED		
D			MSASAO 2004/06/05	MATERIAL NO.	DOCUMENT NO.	SHEET NO.	
				SEE TABLE	SD-501017-002	3 OF 4	
THIS DRAWING CONTAINS INFORMATION THAT IS PROPRIETARY TO MOLEX INCORPORATED AND SHOULD NOT BE USED WITHOUT WRITTEN PERMISSION							



24mm幅キャリアテープ
24mm WIDTH CARRIER TAPE

24	25.5	6.55	501017-0248	24
キャリアテープ幅 CARRIER TAPE WIDTH	B	A	MATERIAL NO.	極数 CKT.
MODEL NO.			501017-***8	

REVISED EC NO: J2008-2284 DRWN: YMAEDA 2007/12/04 CHKD: NUKITA 2007/12/06 APPR: NUKITA 2007/12/06 REV D	GENERAL TOLERANCES (UNLESS SPECIFIED)		DIMENSION STYLE	SCALE	DESIGN UNITS	THIRD ANGLE PROJECTION
			MM ONLY	---	METRIC	
	10 UNDER	±0.2	DRAWN BY	DATE	TITLE	
	10 OVER 30 UNDER	±0.25	YNUKANOBU	2004/06/05	EMBOSSSED TAPE PACKAGE FOR 501017-***7	
	30 OVER	±0.3	CHECKED BY	DATE	MATERIAL NO.	
ANGULAR	±3 °	THIRATA	2004/06/05	MSASAO	2004/06/05	DOCUMENT NO.
DRAFT WHERE APPLICABLE MUST REMAIN WITHIN DIMENSIONS		SEE TABLE		SD-501017-002		SHEET NO. 4 OF 4
THIS DRAWING CONTAINS INFORMATION THAT IS PROPRIETARY TO MOLEX INCORPORATED AND SHOULD NOT BE USED WITHOUT WRITTEN PERMISSION						



Компания «ЭлектроПласт» предлагает заключение долгосрочных отношений при поставках импортных электронных компонентов на взаимовыгодных условиях!

Наши преимущества:

- Оперативные поставки широкого спектра электронных компонентов отечественного и импортного производства напрямую от производителей и с крупнейших мировых складов;
- Поставка более 17-ти миллионов наименований электронных компонентов;
- Поставка сложных, дефицитных, либо снятых с производства позиций;
- Оперативные сроки поставки под заказ (от 5 рабочих дней);
- Экспресс доставка в любую точку России;
- Техническая поддержка проекта, помощь в подборе аналогов, поставка прототипов;
- Система менеджмента качества сертифицирована по Международному стандарту ISO 9001;
- Лицензия ФСБ на осуществление работ с использованием сведений, составляющих государственную тайну;
- Поставка специализированных компонентов (Xilinx, Altera, Analog Devices, Intersil, Interpoint, Microsemi, Aeroflex, Peregrine, Syfer, Eurofarad, Texas Instrument, Miteq, Cobham, E2V, MA-COM, Hittite, Mini-Circuits, General Dynamics и др.);

Помимо этого, одним из направлений компании «ЭлектроПласт» является направление «Источники питания». Мы предлагаем Вам помощь Конструкторского отдела:

- Подбор оптимального решения, техническое обоснование при выборе компонента;
- Подбор аналогов;
- Консультации по применению компонента;
- Поставка образцов и прототипов;
- Техническая поддержка проекта;
- Защита от снятия компонента с производства.



Как с нами связаться

Телефон: 8 (812) 309 58 32 (многоканальный)

Факс: 8 (812) 320-02-42

Электронная почта: org@eplast1.ru

Адрес: 198099, г. Санкт-Петербург, ул. Калинина, дом 2, корпус 4, литера А.